

COMPUTER DESK

ASSEMBLY INSTRUCTIONS

Thank you for choosing to purchase from Piranha Furniture. We trust everything is as expected, however if there are **ANY** issues at all or you have further questions, please don't hesitate to email us and we will resolve the matter as quickly as possible:

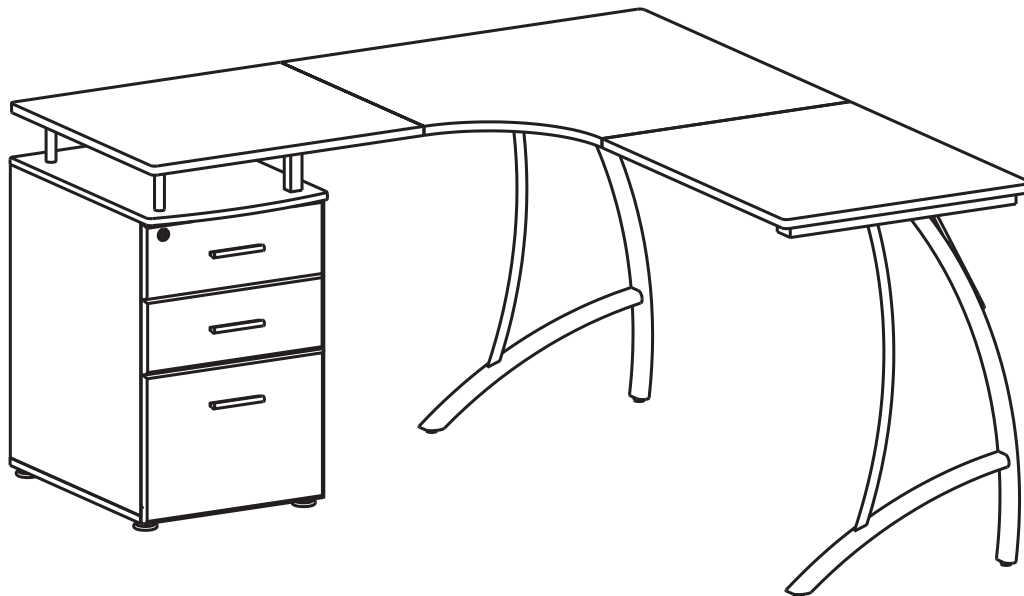
United Kingdom: sales@piranhafurniture.com

Rest of EU: info@piranhaeurope.com

You can contact us through our website www.piranhafurniture.com where you will also find our full range of products.

Please read the assembly instructions carefully before the installation

Retain all packaging as, if required, goods must be returned packed in the original cartons.



TWO PEOPLE REQUIRED

MODEL PC28

General Care:

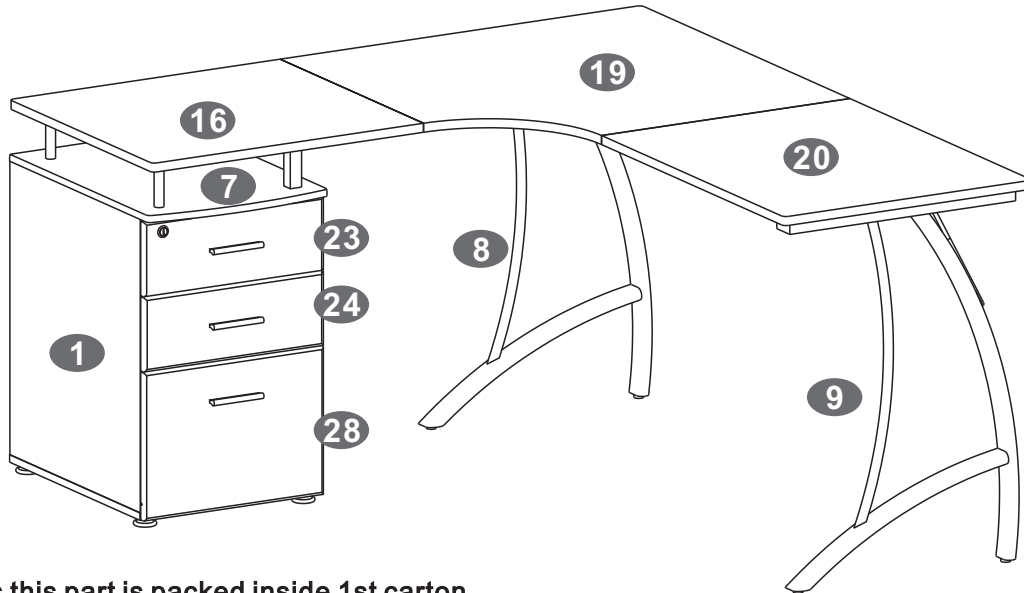
Keep furniture out of direct sunlight. Use mats and coasters to protect surfaces.
Do not place hot or wet items directly onto unprotected surfaces.

Cleaning:

Wipe surfaces with a clean damp (not wet) cloth then dry with a clean lint free cotton cloth.
Glass surfaces may be polished with window or other glass cleaning liquids.



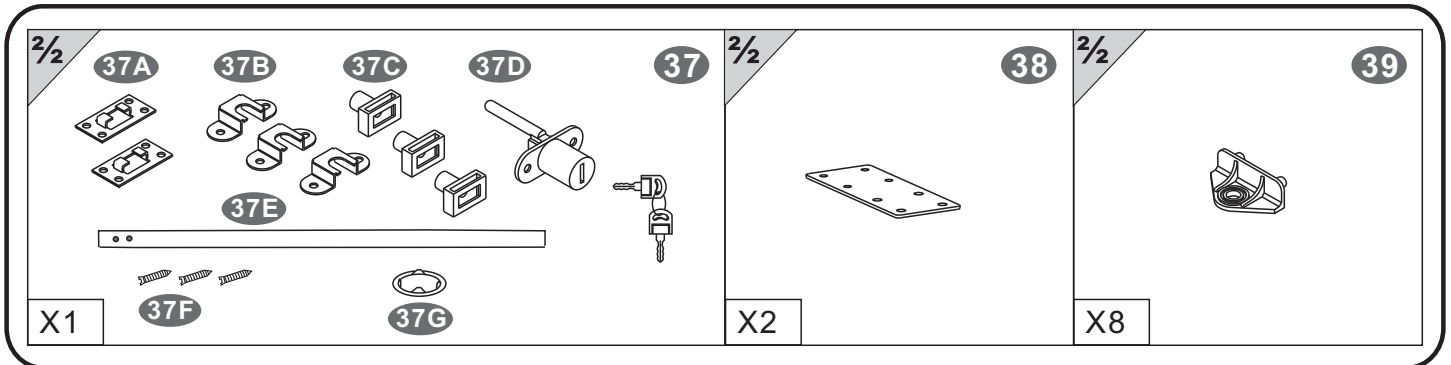
▪PARTS LIST



1/2 means this part is packed inside 1st carton
2/2 means this part is packed inside 2nd carton

 1 2/2	 2 1/2	 3 1/2	 4 2/2
X1	X1	X1	X1
 5 2/2	 6 2/2	 7 1/2	 8 1/2
X4	X4	X1	X1
 9 2/2	 10 1/2	 11 1/2	
X1	X1	X1	

<p>1/2</p> <p>12</p> <p>2/2</p> <p>X2</p>	<p>2/2</p> <p>13</p> <p>X1</p>	<p>2/2</p> <p>14</p> <p>X1</p>	<p>2/2</p> <p>15</p> <p>X2</p>
<p>1/2</p> <p>16</p> <p>X1</p>	<p>1/2</p> <p>17</p> <p>X2</p>	<p>2/2</p> <p>18</p> <p>X1</p>	
<p>1/2</p> <p>19</p> <p>X1</p>	<p>1/2</p> <p>20</p> <p>X1</p>		
<p>2/2</p> <p>21</p> <p>X2</p>	<p>2/2</p> <p>22</p> <p>X2</p>	<p>2/2</p> <p>23</p> <p>X1</p>	<p>2/2</p> <p>24</p> <p>X1</p>
<p>2/2</p> <p>25</p> <p>X2</p>	<p>2/2</p> <p>26</p> <p>X2</p>	<p>2/2</p> <p>27</p> <p>X2</p> <p>Left Right</p>	<p>2/2</p> <p>28</p> <p>X1</p>
<p>2/2</p> <p>29</p> <p>X1</p>	<p>1/2</p> <p>30</p> <p>X1</p>	<p>2/2</p> <p>31</p> <p>X1</p>	<p>2/2</p> <p>32</p> <p>X2</p>
<p>2/2</p> <p>33</p> <p>X3</p>	<p>2/2</p> <p>34</p> <p>X1</p>	<p>2/2</p> <p>35</p> <p>X2</p>	<p>2/2</p> <p>36</p> <p>X1</p>

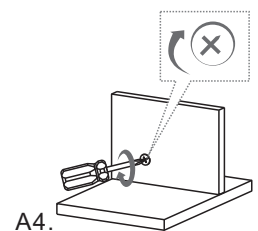
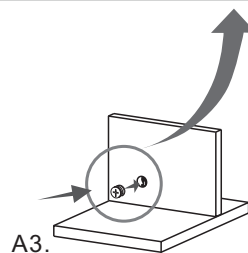
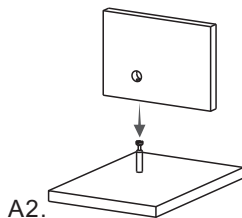
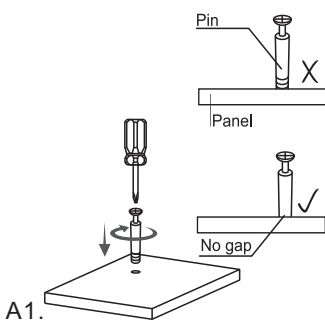
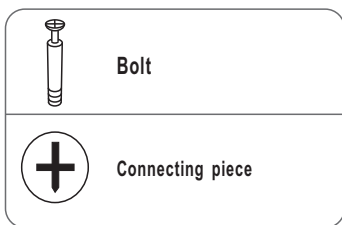


▪SCREWS LIST

PART	QTY.	ITEM	
A	60	3X15 MM	
B	16	6X40 MM	
C	2	6X30 MM	
D	24	6X35 MM	
E	26	6X12 MM	
F	2	6X115 MM	
G	4	6X40 MM	
H	12	4X35 MM	

PART	QTY.	ITEM	
I	6	4X20 MM	
J	6	M6	
K	16	4X14 MM	
L	16	Φ 15 MM	
M	8	8X30 MM	
	1		
	1		
	1		

6X40MM BOLT INSTALLATION AS BELOW:





■ ASSEMBLY STEPS:

1

■ SCREWS
A 3X15 MM
x6

2

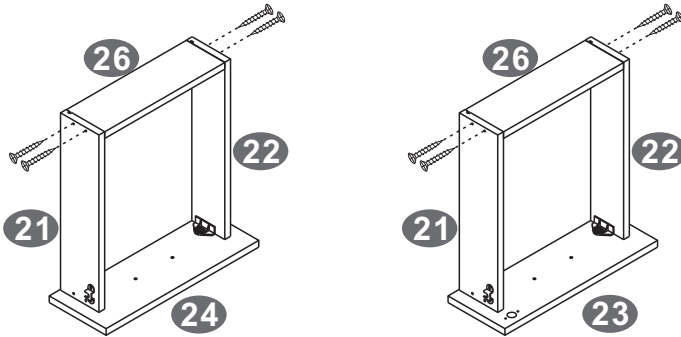
■ SCREWS
A 3X15 MM
x8

3

■ SCREWS
E 6X12 MM
x4

4

5



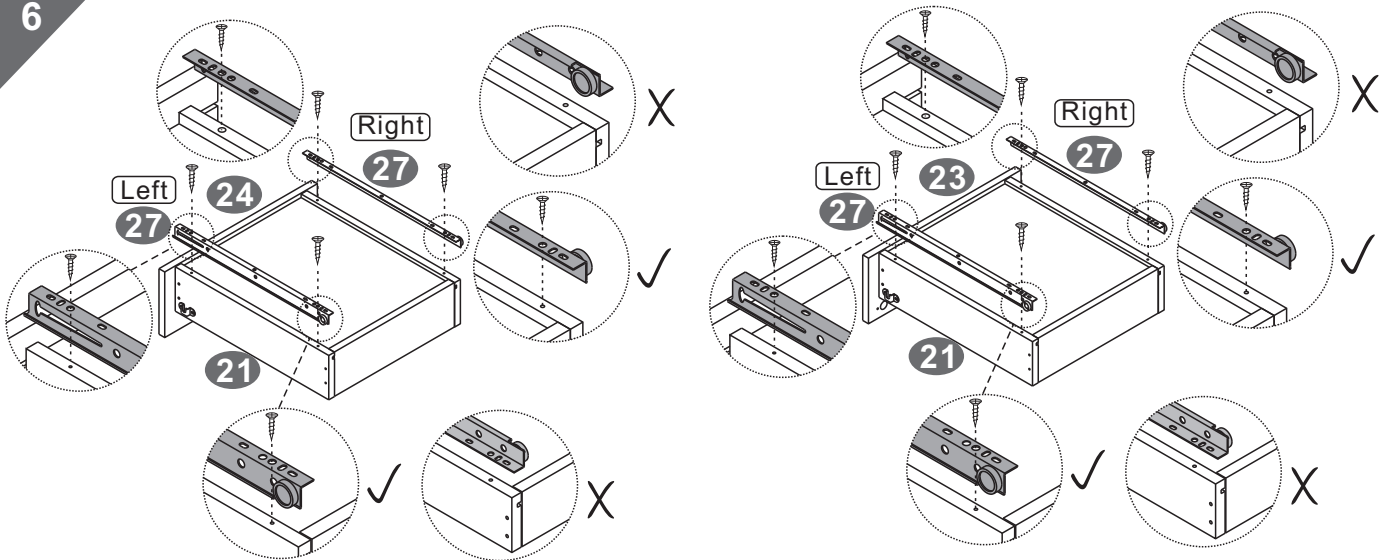
■ SCREWS

H 4X35 MM

 x8



6



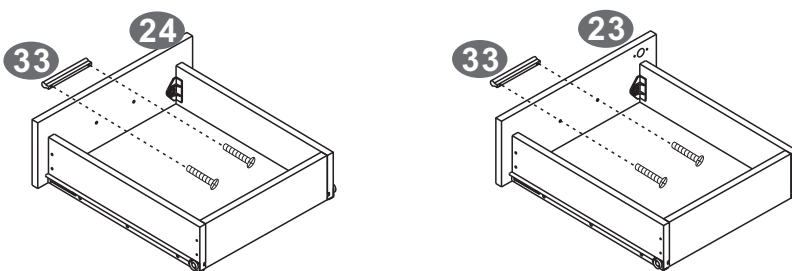
■ SCREWS

A 3X15 MM

 x8



7



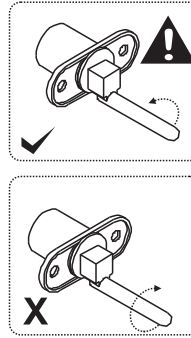
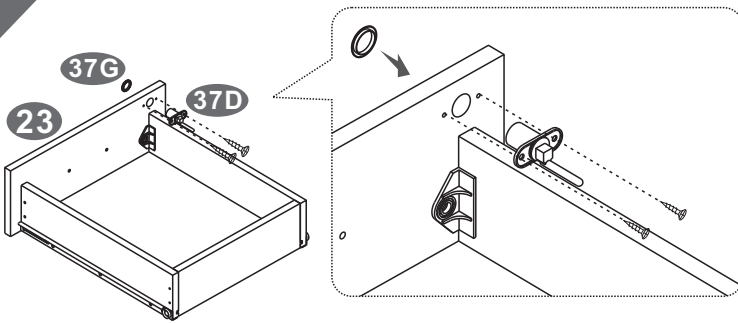
■ SCREWS

I 4X20 MM

 x4



8



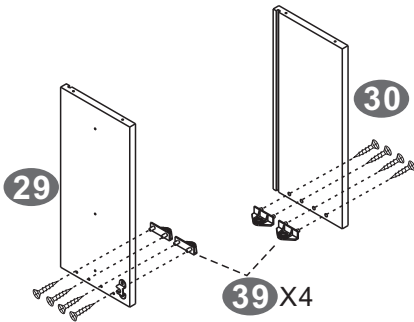
■ SCREWS

A 3X15 MM

x2



9



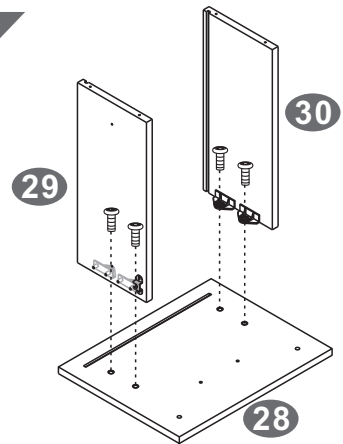
■ SCREWS

A 3X15 MM

x8



10



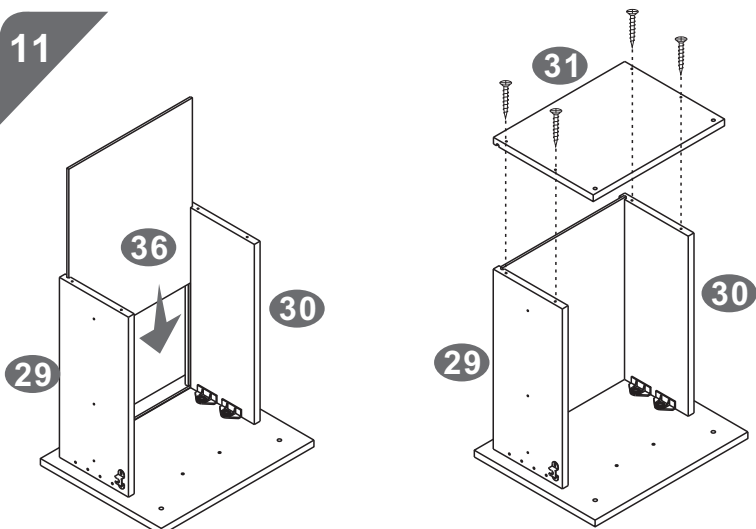
■ SCREWS

E 6X12 MM

x4



11



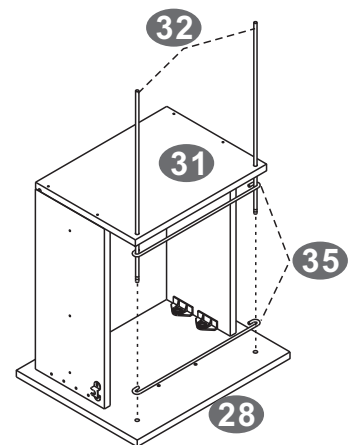
■ SCREWS

H 4X35 MM

x4

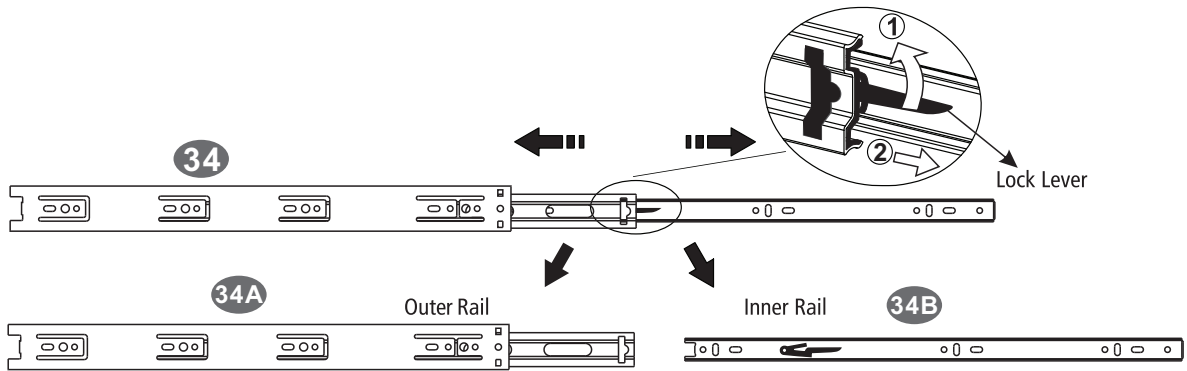


12



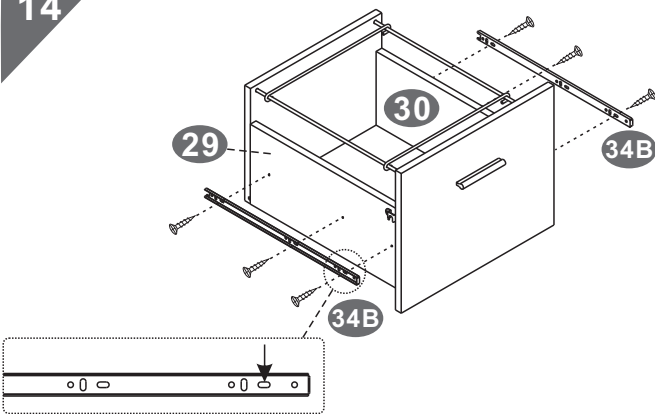
▲ Be careful not to overtighten the metal rod

13



move the lock lever on the inner rail as shown and separate the outer rail (34a) and inner rail (34b) from the 2 file drawer slides (34)

14



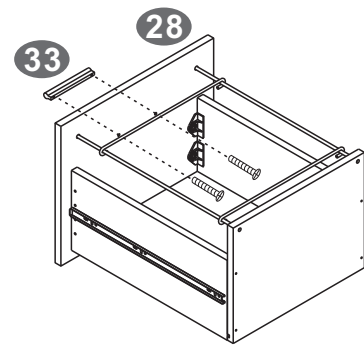
▪ SCREWS

A 3X15 MM

x6



15



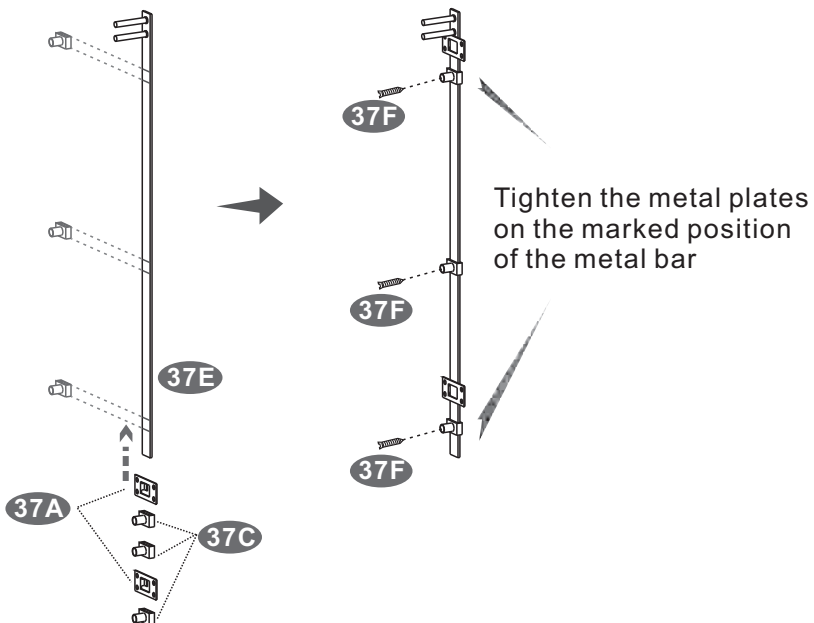
▪ SCREWS

I 4X20 MM

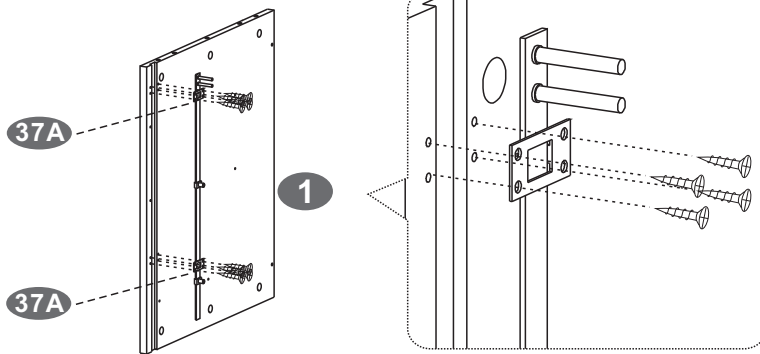
x2



16



17



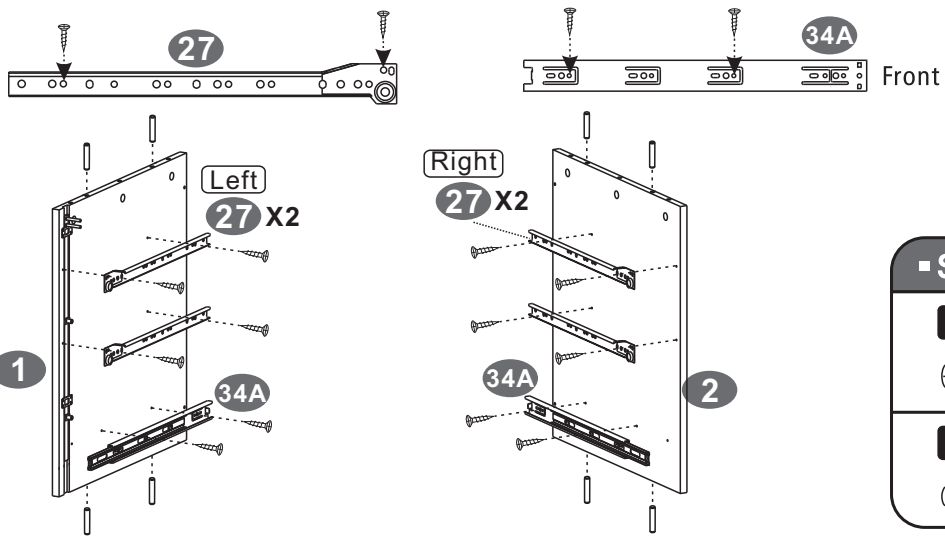
SCREWS

A 3X15 MM

x8



18



SCREWS

A 3X15 MM

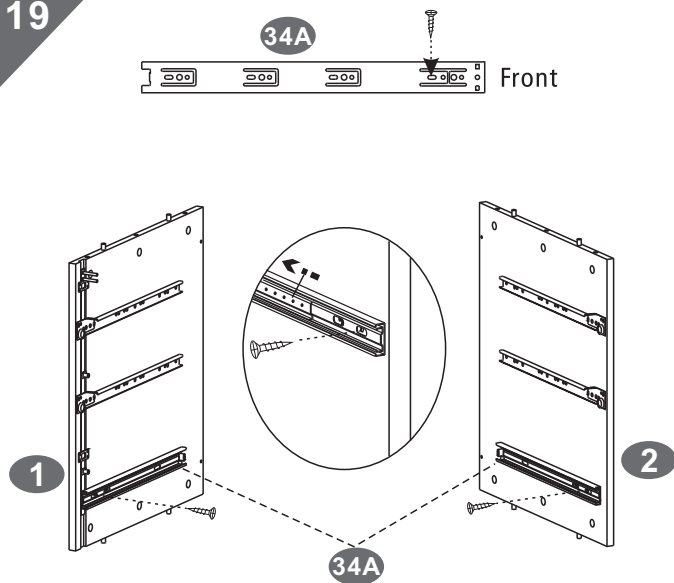
x12

M 8X30 MM

x8



19



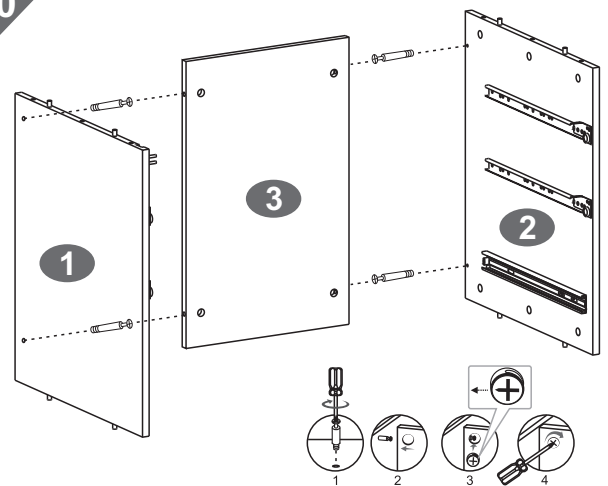
SCREWS

A 3X15 MM

x2



20



SCREWS

B 6X40 MM

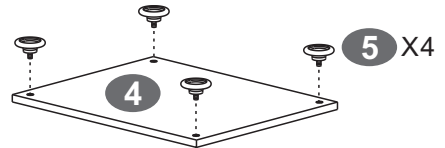
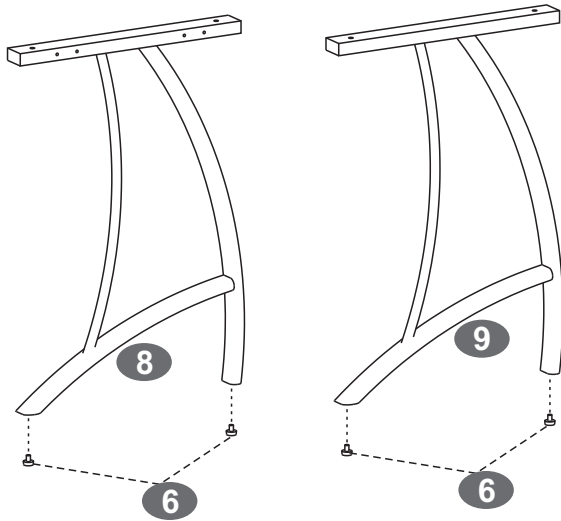
x4

L Φ 15 MM

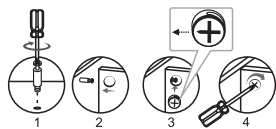
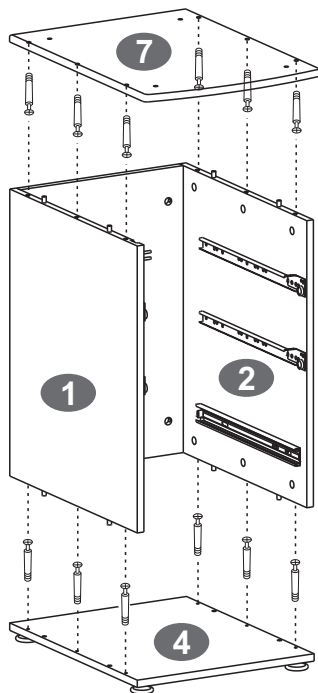
x4



21



22



■ SCREWS

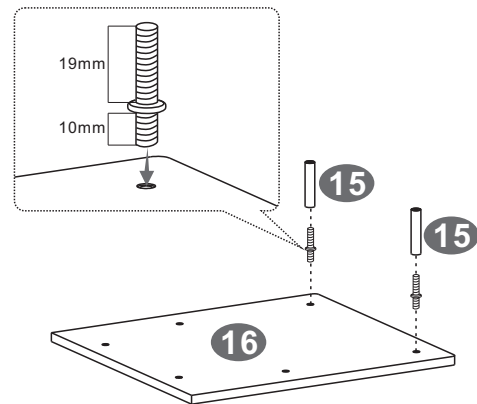
B 6X40 MM

x12

L Φ 15 MM

x12

23

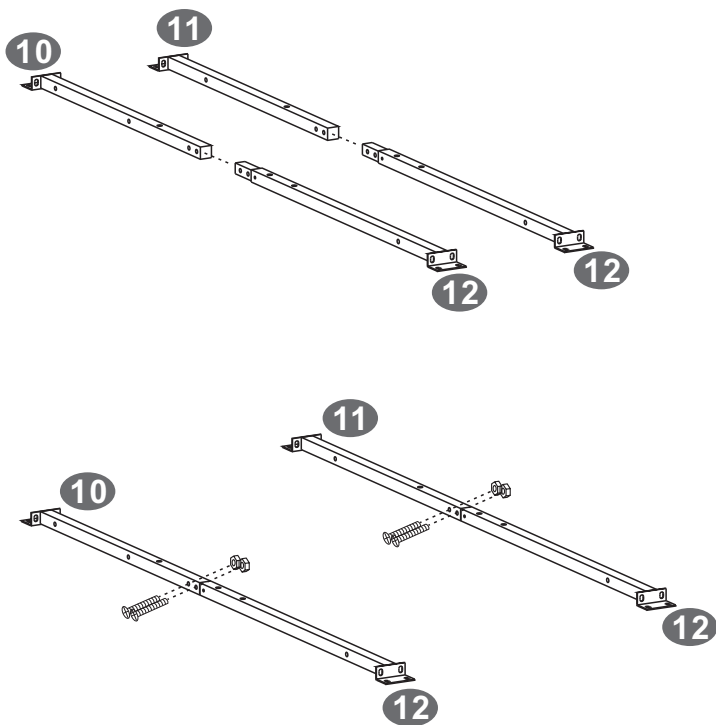



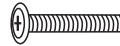


■ SCREWS

C 6X30 MM

x2

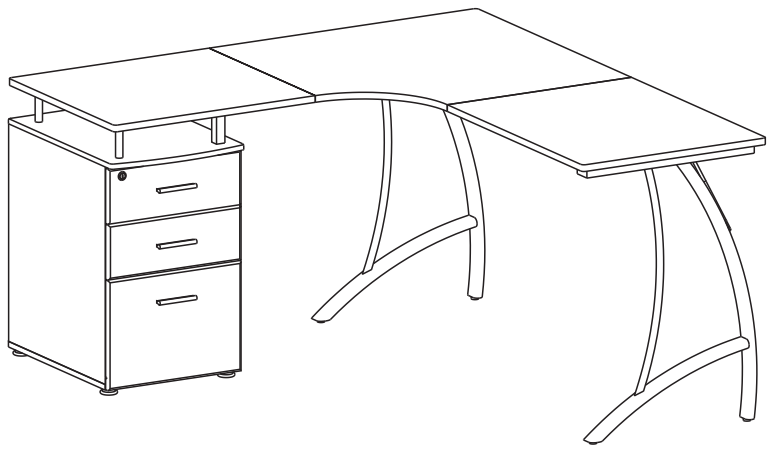
24



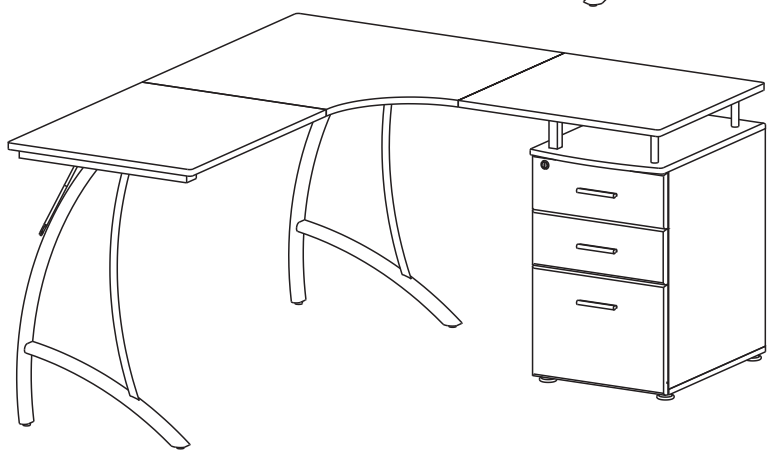
SCREWS		
D	6X35 MM	
	 x4	
J	M6	
	 x4	

** There are 2 options to assemble our desk, please choose it according to your preference.

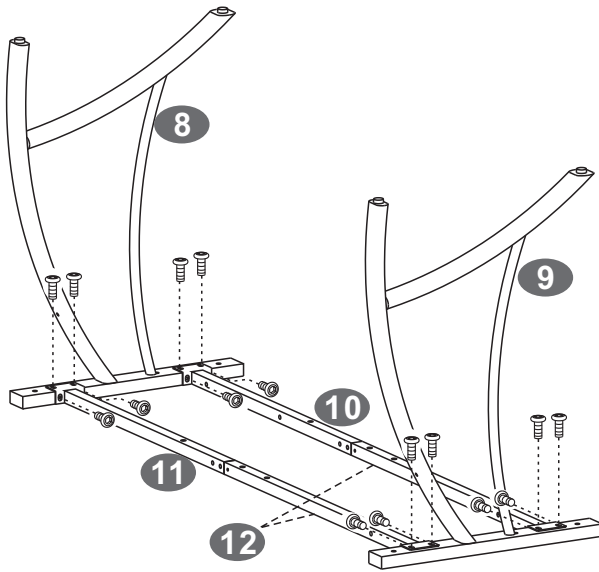
A
A1-A7



B
B1-B7



A1



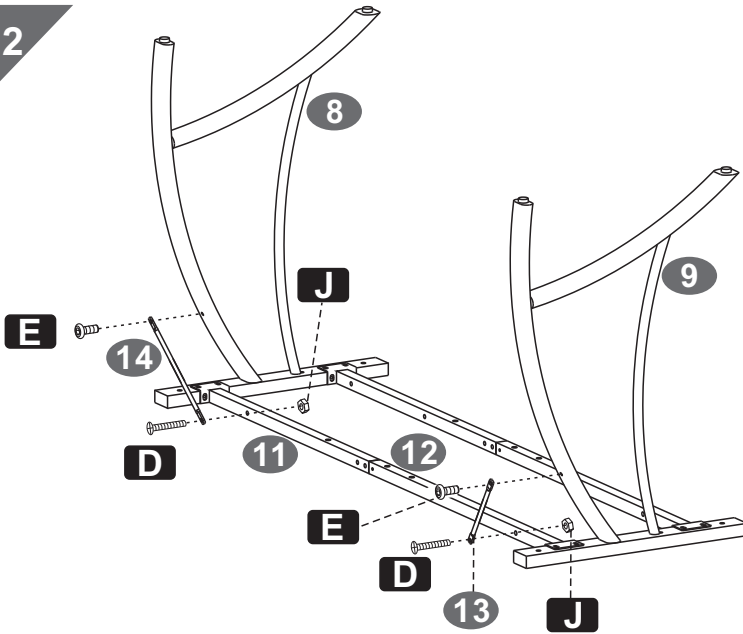
▪ SCREWS

E 6X12 MM

 x16



A2



▪ SCREWS

D 6X35 MM

 x2



E 6X12 MM

 x2

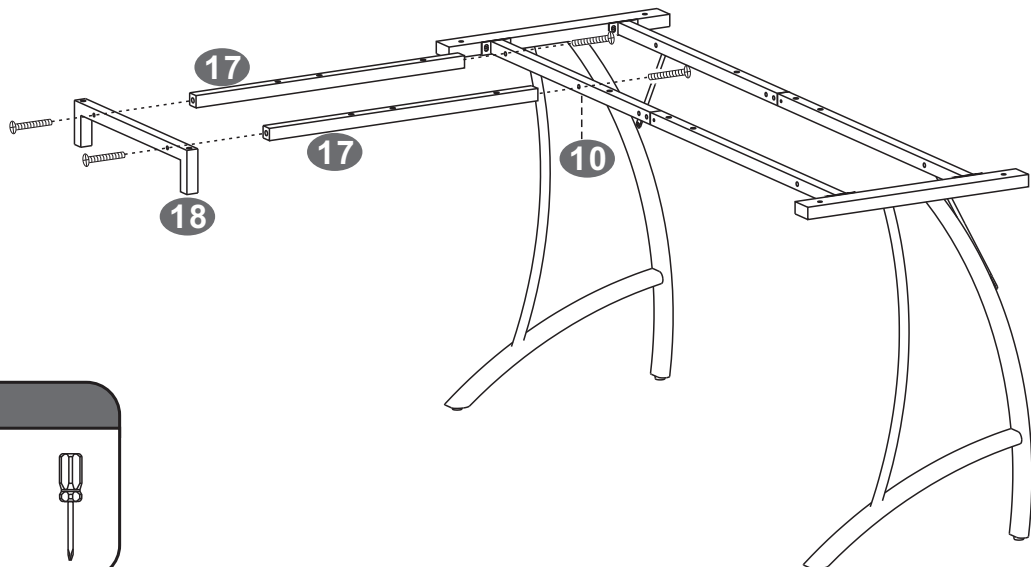


J M6

 x2




A3



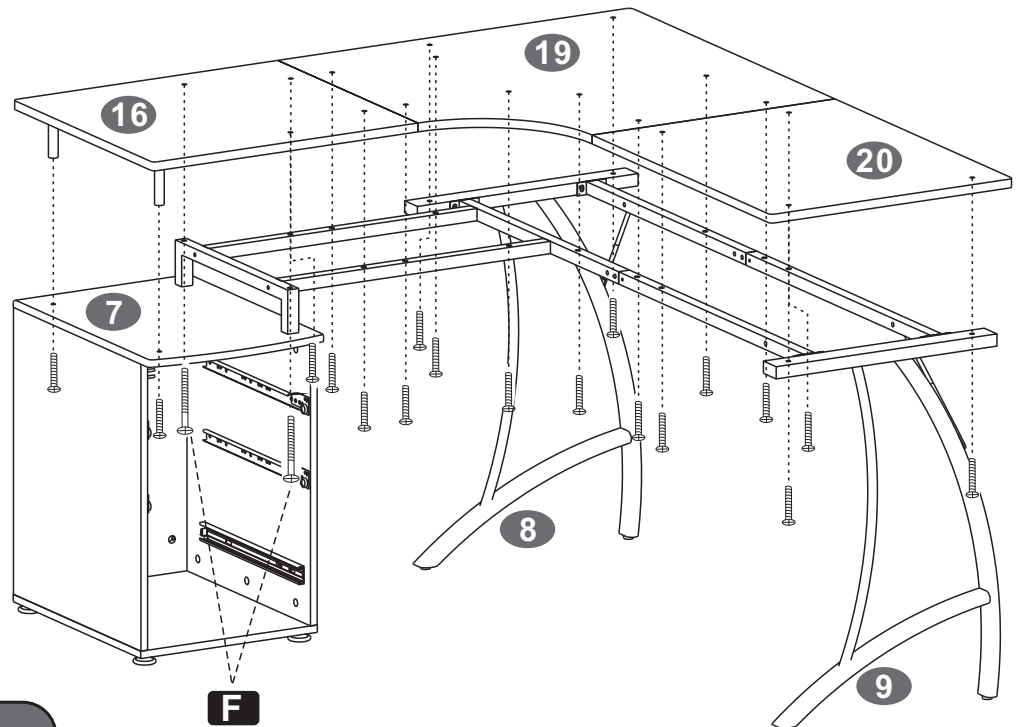
▪ SCREWS

G 6X40 MM

 x4



A4



SCREWS

D 6X35 MM

x18

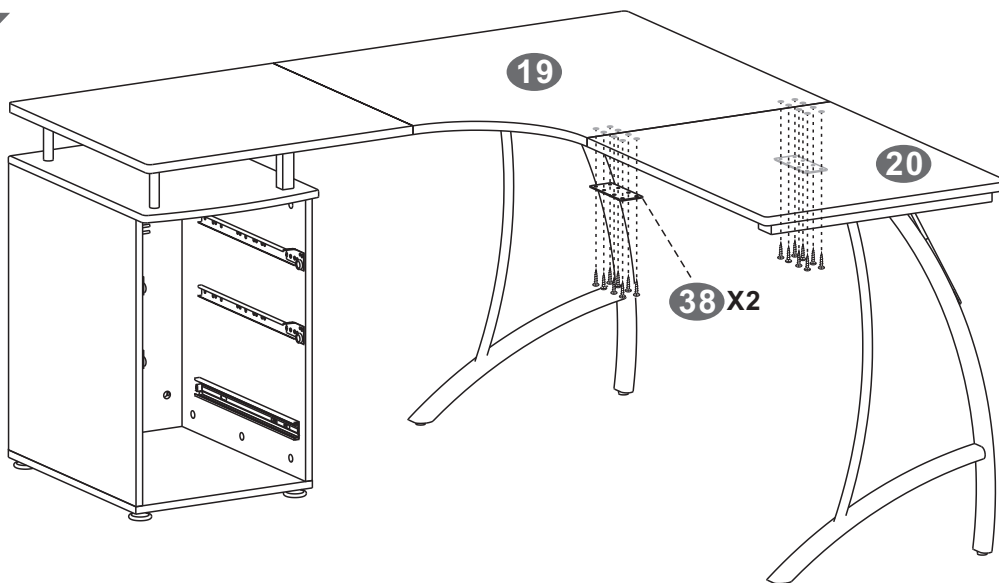


F 6X115 MM

x2



A5



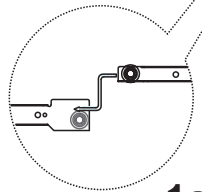
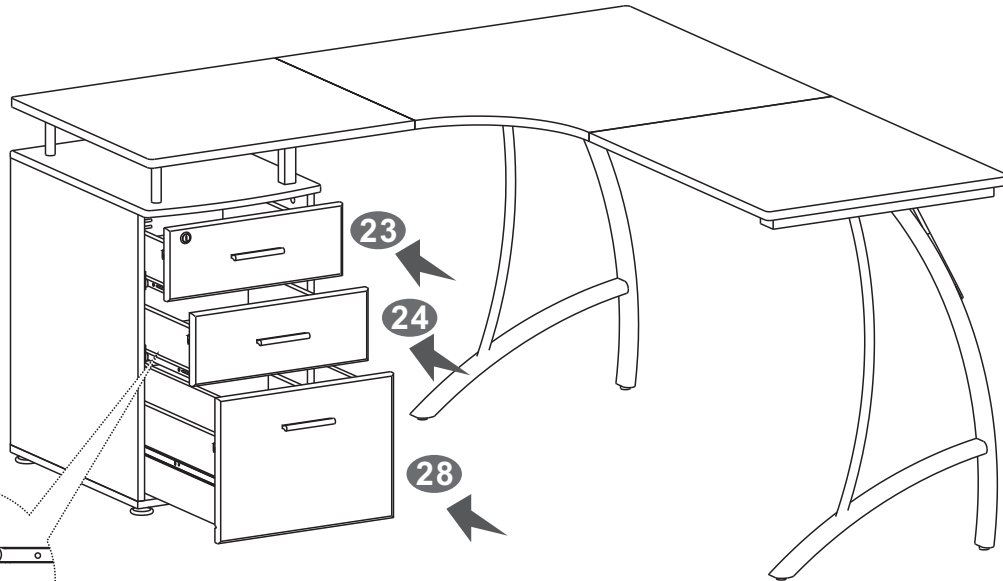
SCREWS

K 4X14 MM

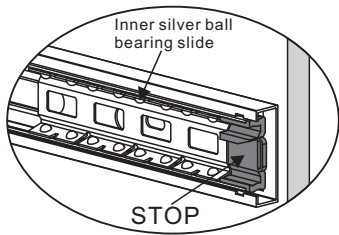
x16



A6

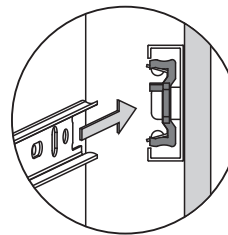


1st



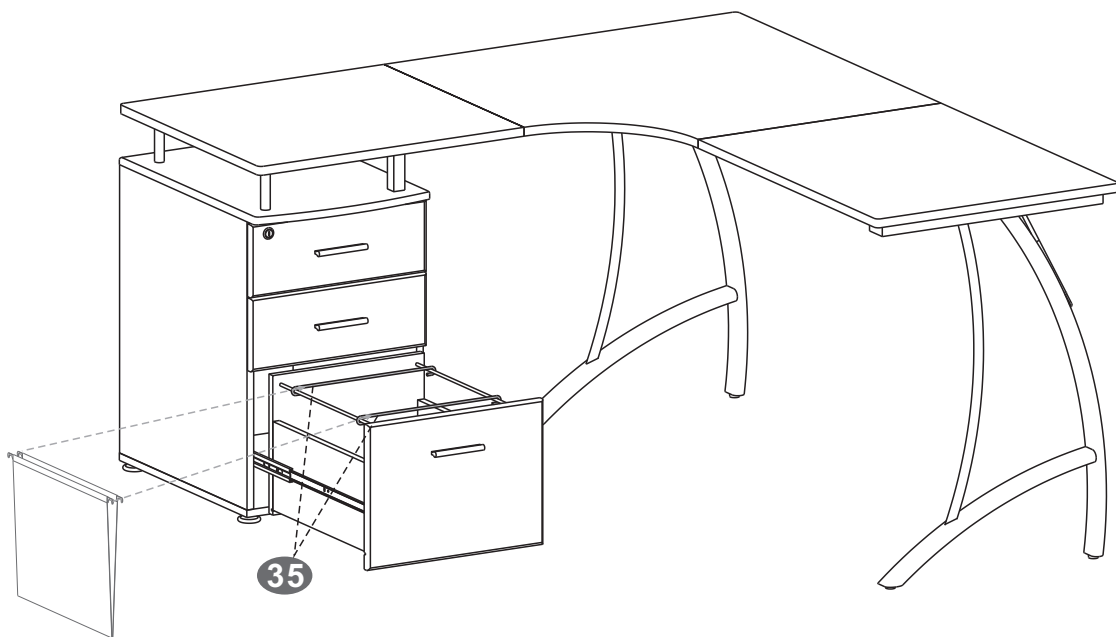
Ensure the ball bearing glider is positioned at the front against the plastic end stop

2nd



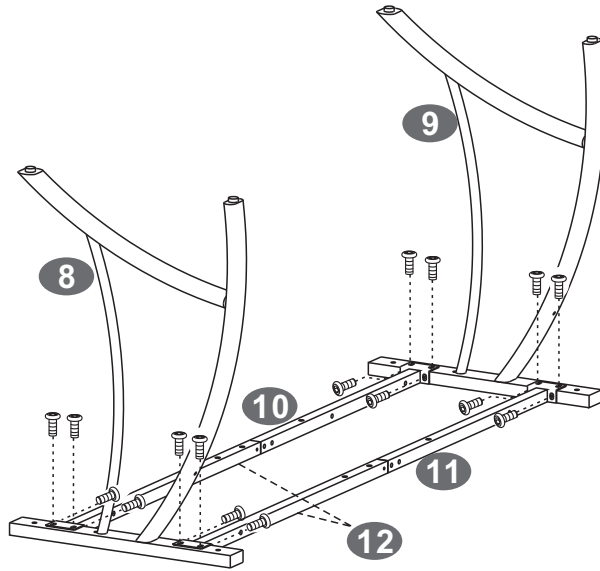
Keeping both runner slides fully extended, align the drawer runners and then slide drawer all the way into the closed position applying a little force if required.

A7



Please hang files on the movable metal hook part 35

B1



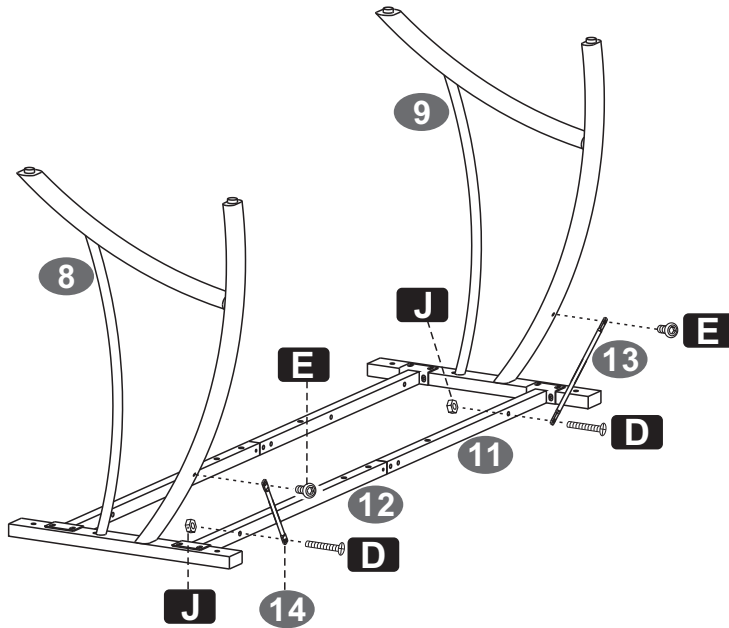
SCREWS

E 6X12 MM

x16



B2



SCREWS

D 6X35 MM

x2



E 6X12 MM

x2

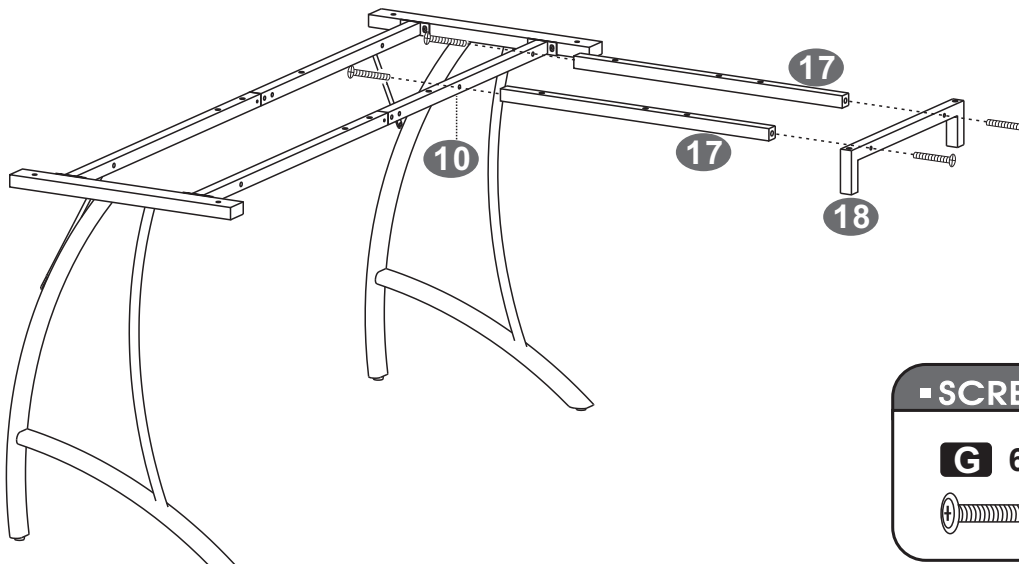


J M6

x2



B3



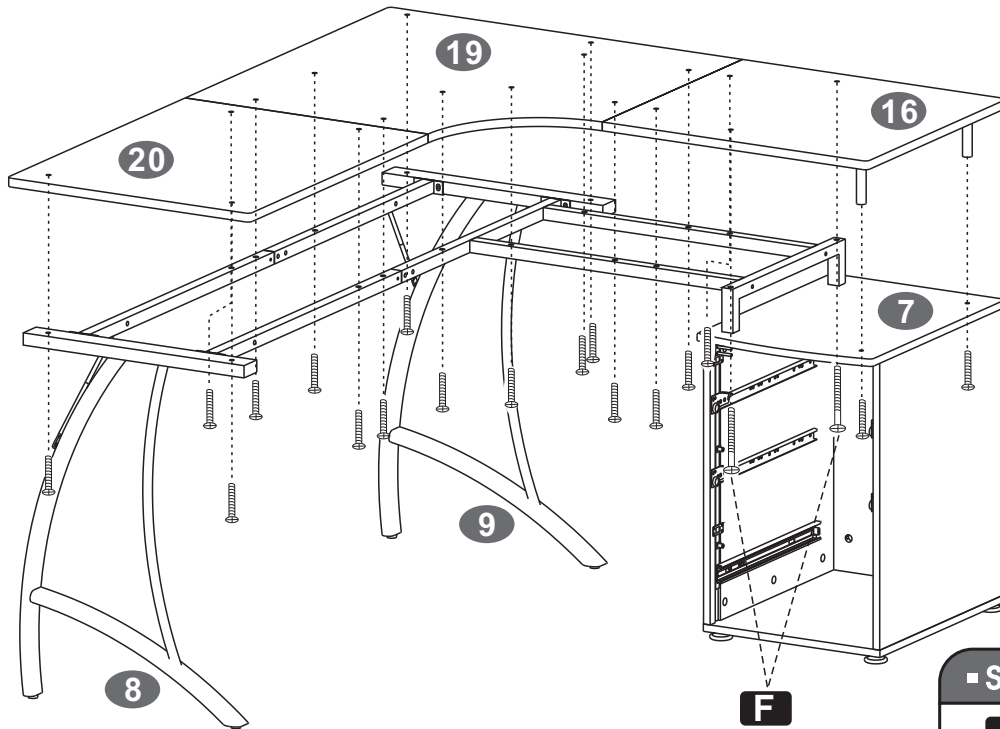
SCREWS

G 6X40 MM


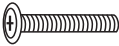

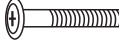
x4



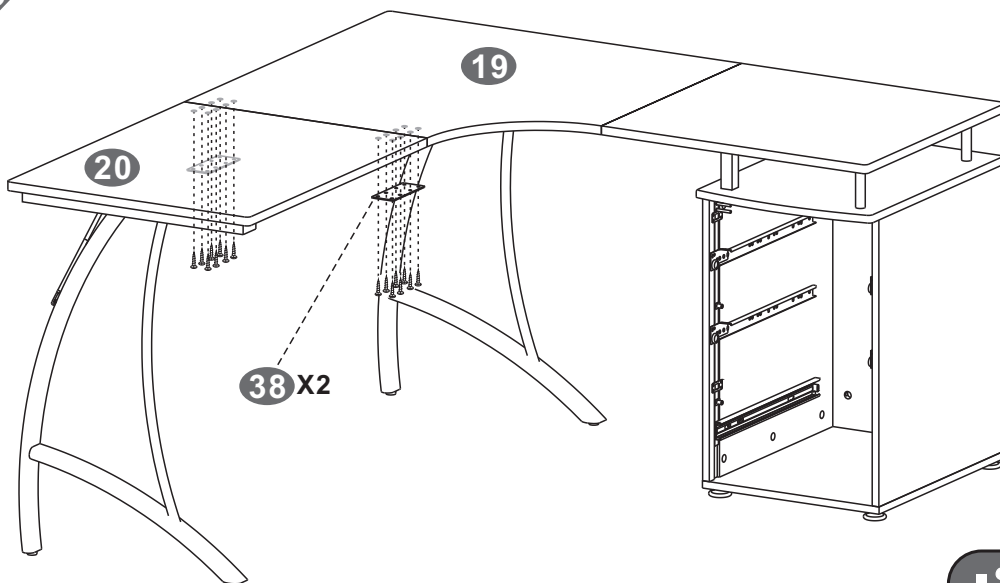
B4





■ SCREWS

D 6X35 MM	
 x18	
F 6X115 MM	
 x2	

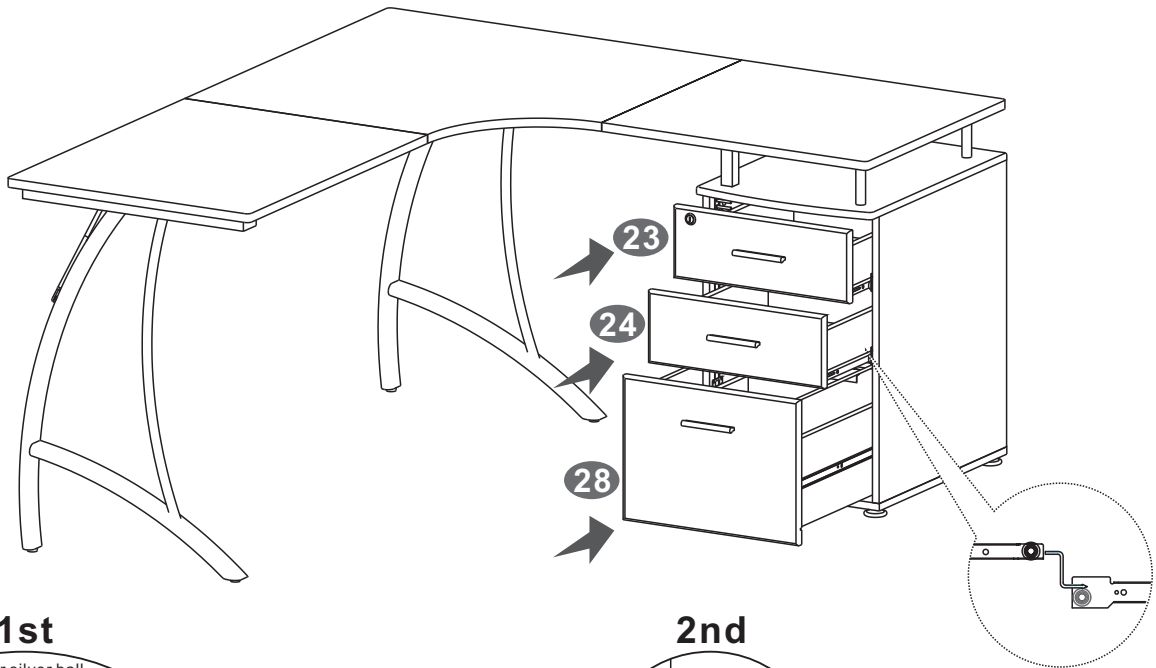
B5



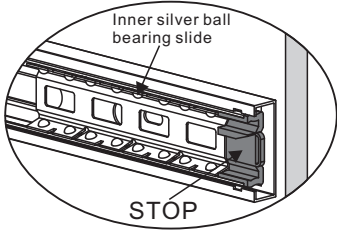
■ SCREWS

K 4X14 MM	
 x16	

B6

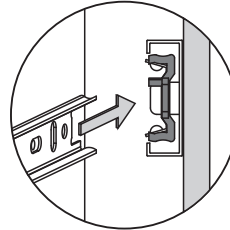


1st



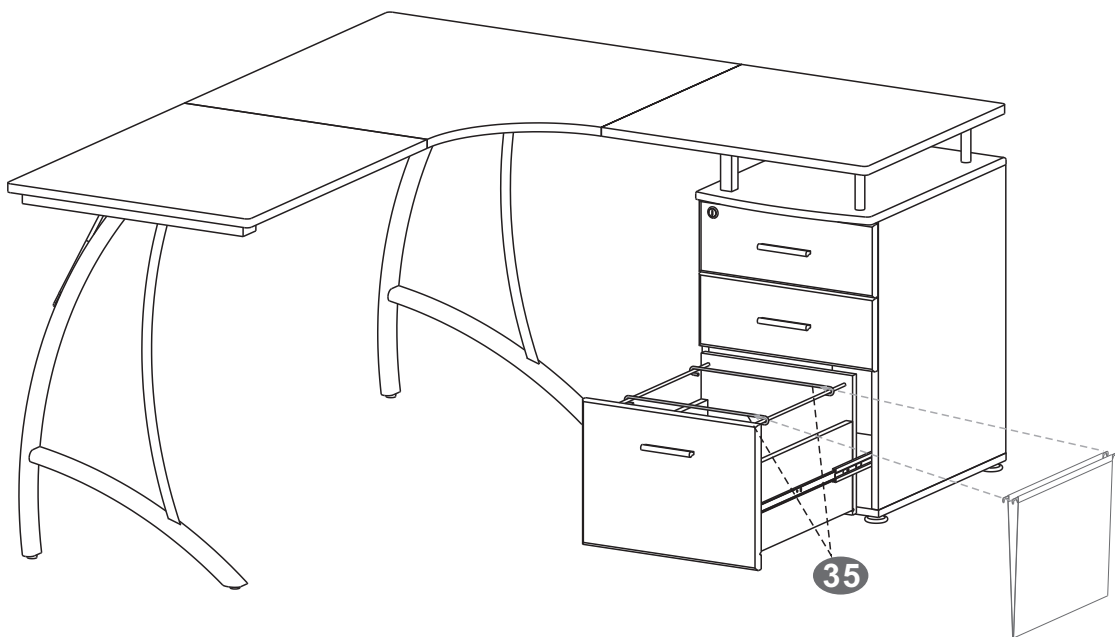
Ensure the ball bearing glider is positioned at the front against the plastic end stop

2nd



Keeping both runner slides fully extended, align the drawer runners and then slide drawer all the way into the closed position applying a little force if required.

B7



Please hang files on the movable metal hook part 35