

home

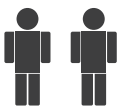
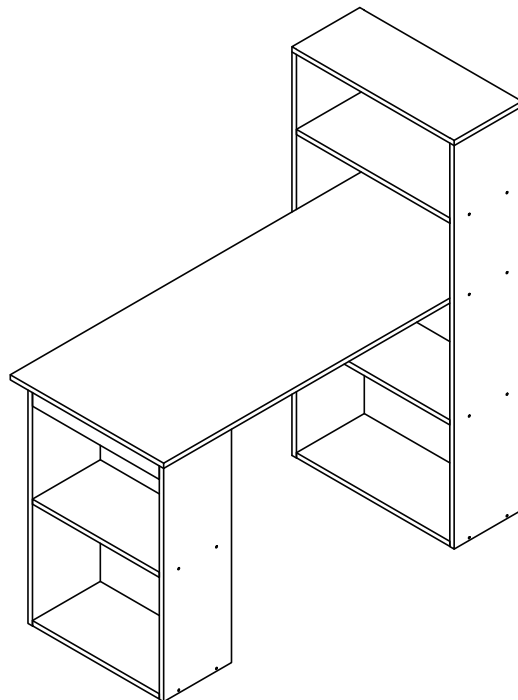
for quality home and office furniture

ASSEMBLY INSTRUCTIONS

Please read this guide carefully and check that you have all parts before you begin assembly. As a thank you for your purchase, we would like to offer you a 10% discount* off our range of matching furniture on www.homeinonline.com with voucher code **10%MATCH**.

Need help with your item or unhappy?

If you have ANY questions, please do not hesitate to email us on info@homeinonline.com and we will do our very best to help. You can also contact us via our website www.homeinonline.com



**TWO PEOPLE
RECOMMENDED**



LABRINTH by piranha®

General Care:

Keep furniture out of direct sunlight. Use mats and coasters to protect surfaces. Do not place hot or wet items directly onto unprotected surfaces.

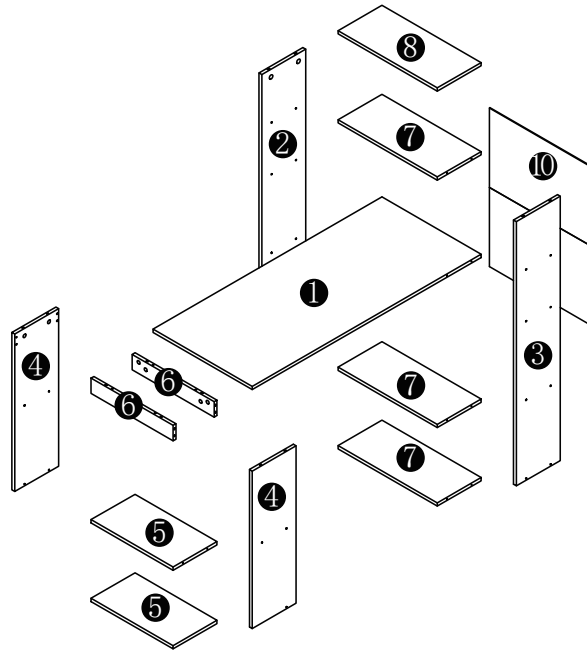
Cleaning:

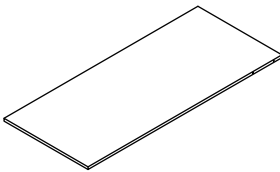


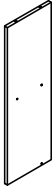
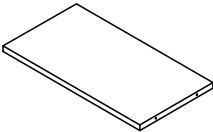
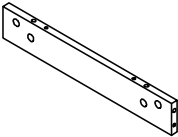
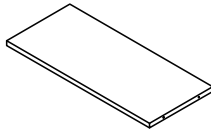
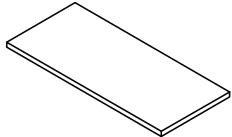
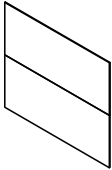
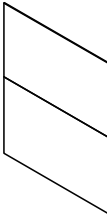
Wipe surfaces with a clean damp (not wet) cloth then dry with a clean lint free cotton cloth. Glass surfaces may be polished with window or other glass cleaning liquids.

Please retain cartons until assembled as goods MUST be returned in original packaging



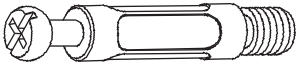
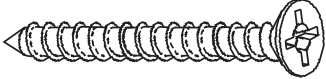

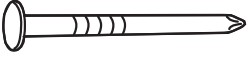
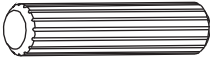
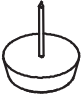
PARTS LIST



 X1	 X1	 X1	 X2
 X2	 X2	 X3	 X1
	 X1	 X1	

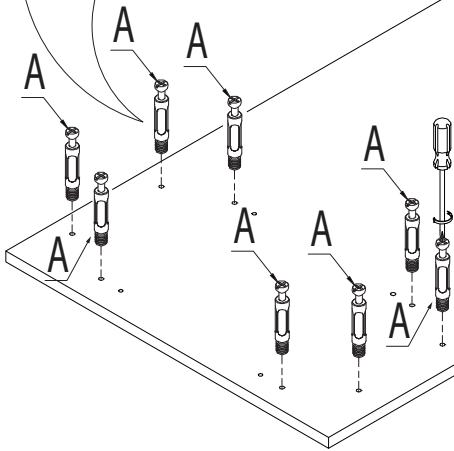
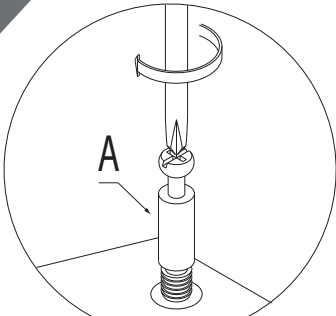


· FIXINGS

PART	QTY	ITEM	PART	QTY	ITEM
A	16	 M6x34mm	D	24	 M4x38mm
B	16	 M15x12mm	E	30	 Nail 11mm
C	8	 M6x30mm	F	8	 Nailed Foot 8mm



1



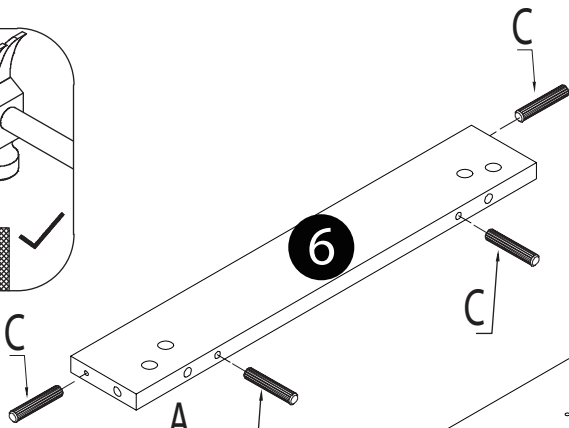
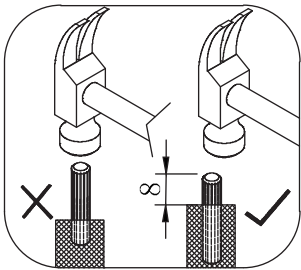
· FIXINGS

A  8



2

⚠ Repeat the process of panel 6



· FIXINGS

A  4

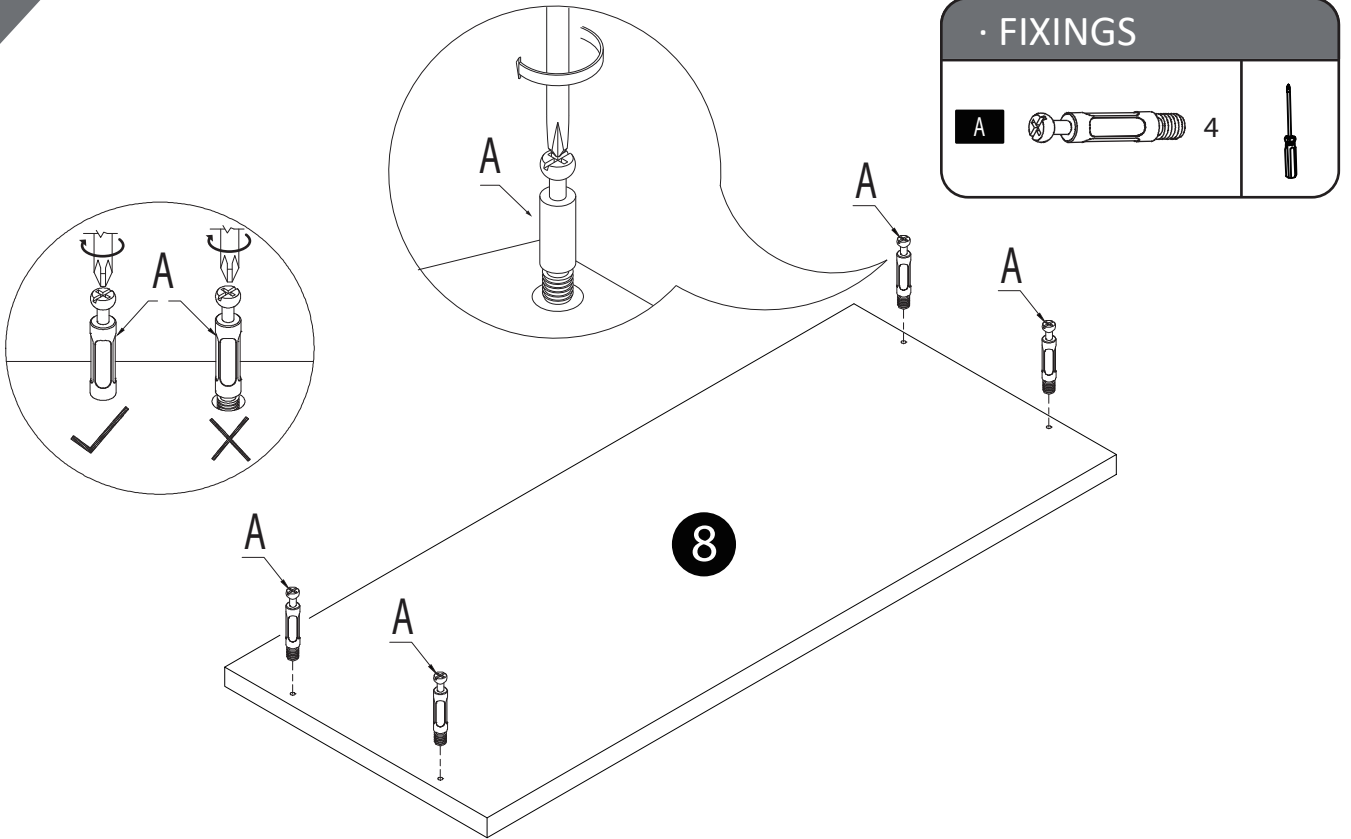
C  8



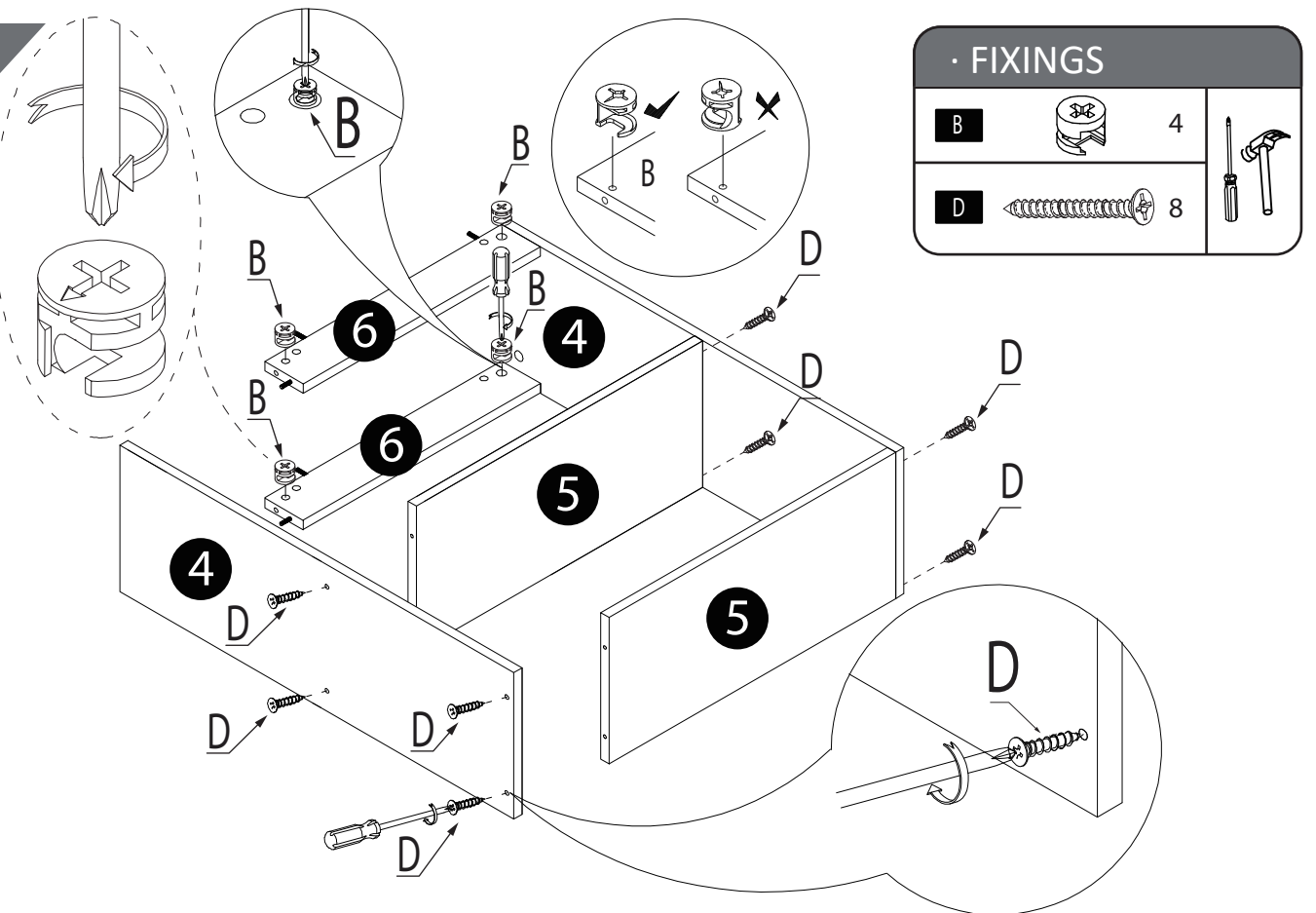
⚠ Repeat the process of panel 4



3

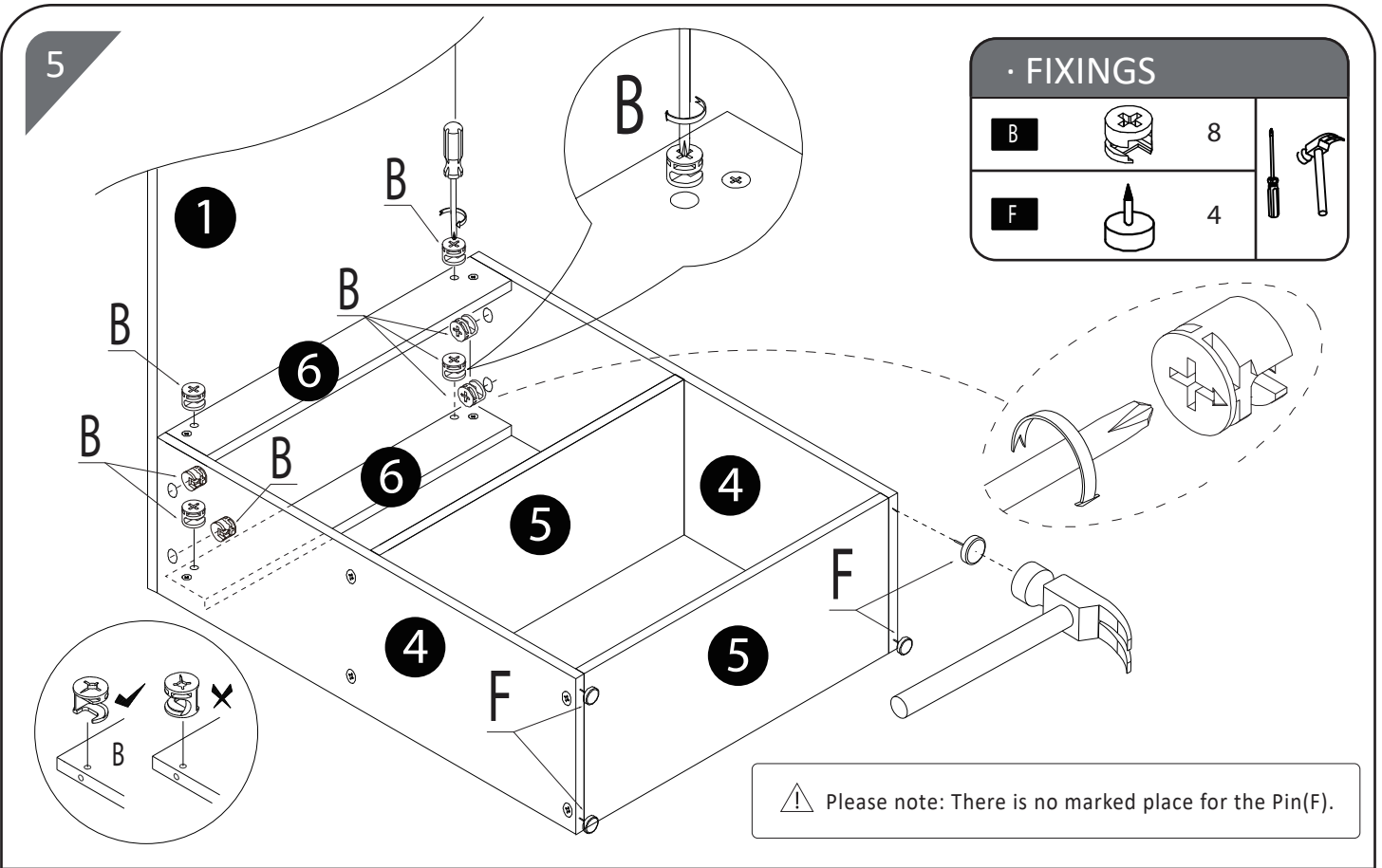






4





5

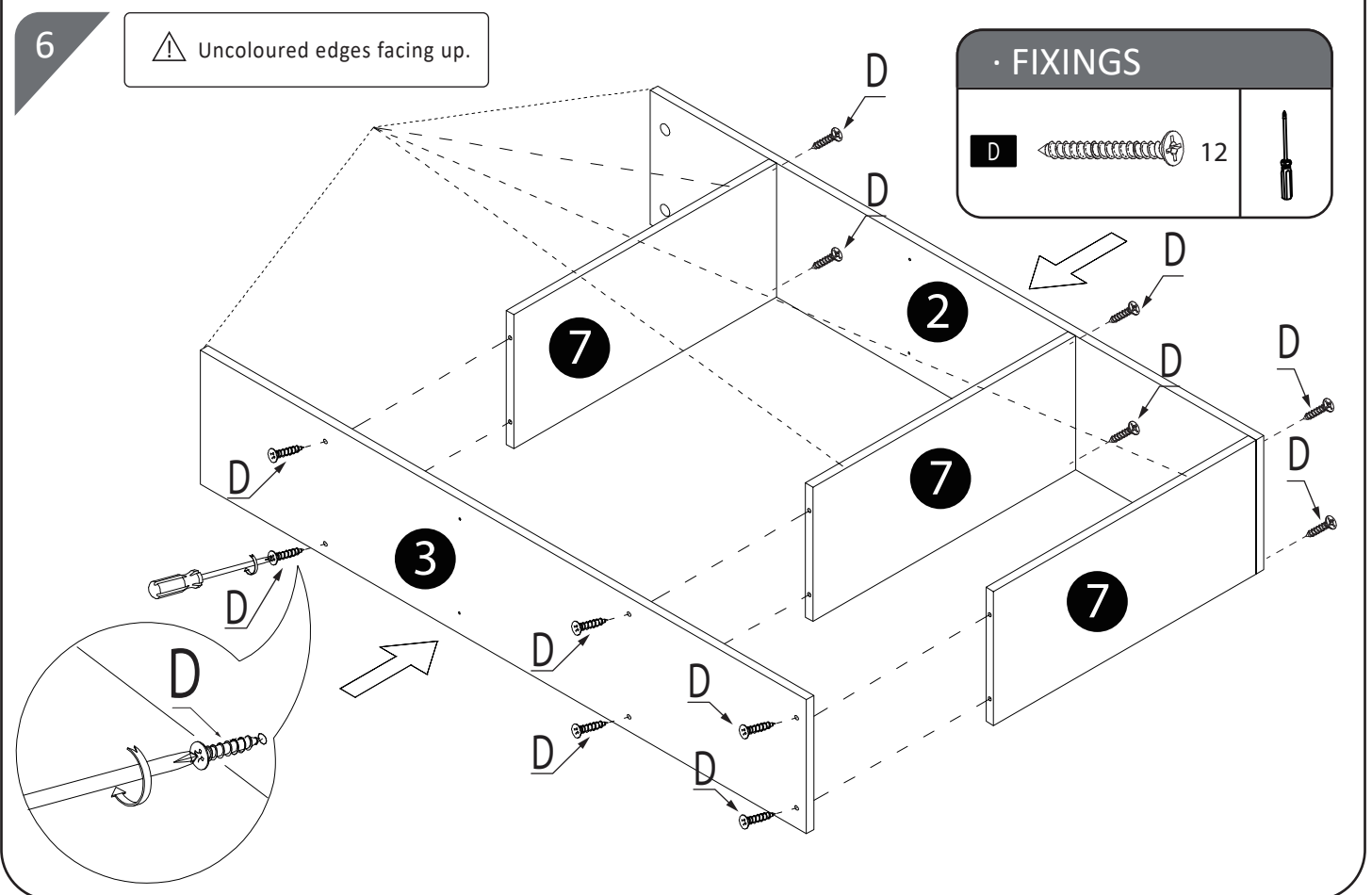




· FIXINGS			
B		8	
F		4	

⚠ Please note: There is no marked place for the Pin(F).

6

⚠ Uncoloured edges facing up.



· FIXINGS			
D		12	

⚠ Uncoloured edges facing up.



7

· FIXINGS			
B		4	

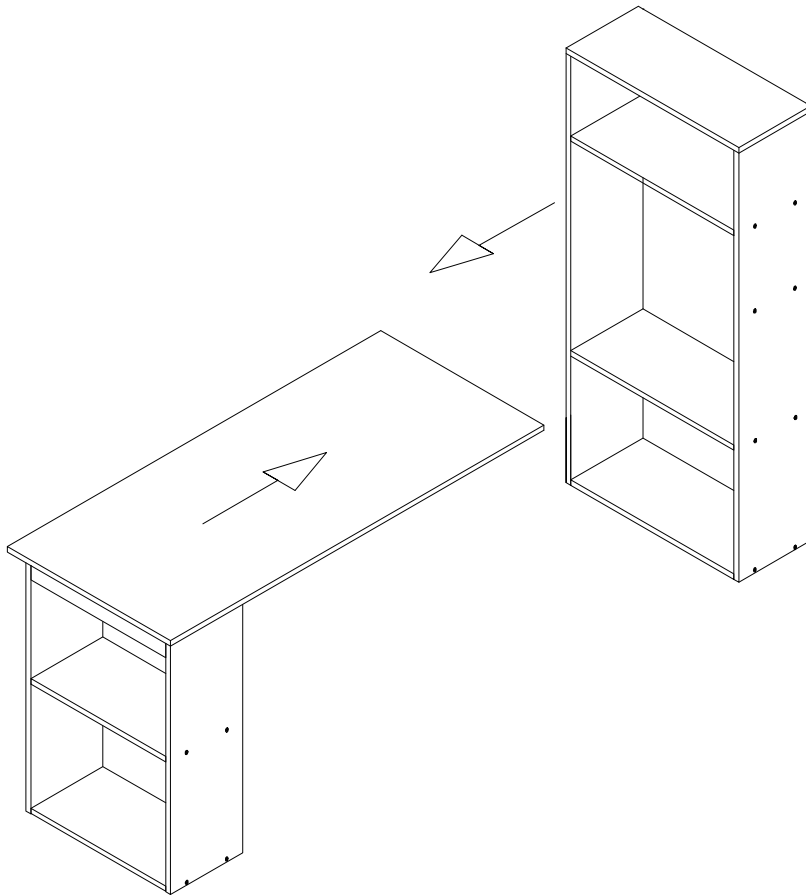
8

⚠ Please note: There is no marked place for the fixings(E&F).

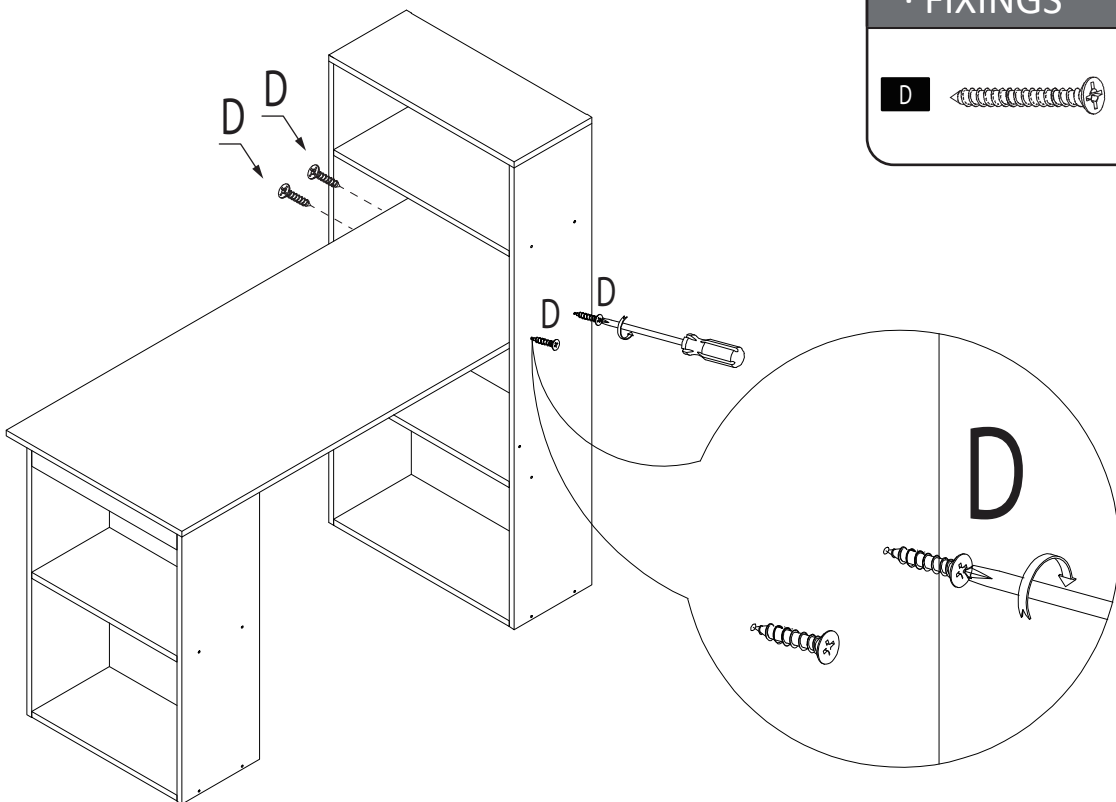
· FIXINGS			
E		30	
F		4	



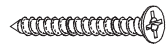

9



10

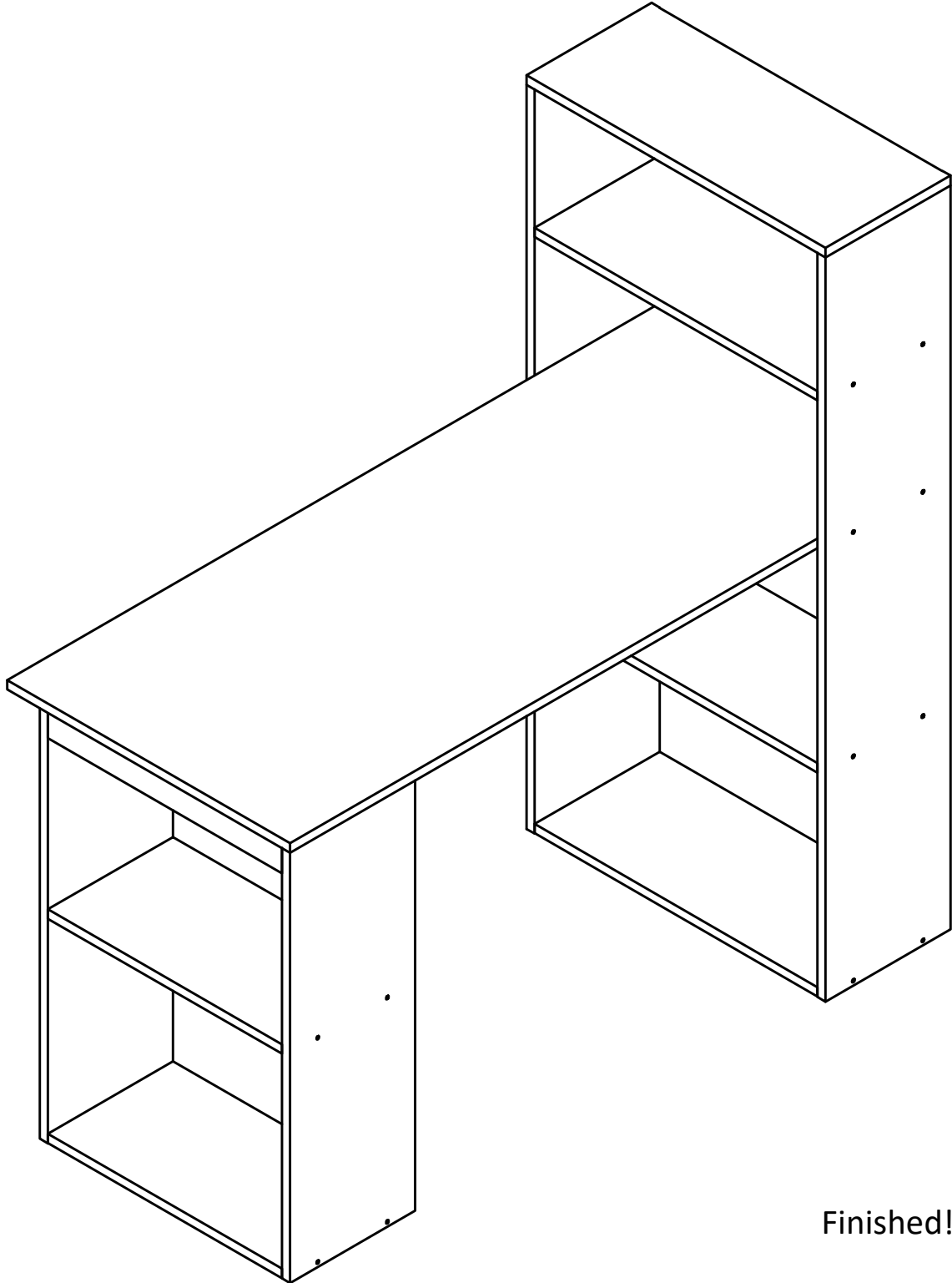


· FIXINGS

D		4	
----------	---------------------------------------------------------------------------------------	---	---------------------------------------------------------------------------------------



11



Finished!