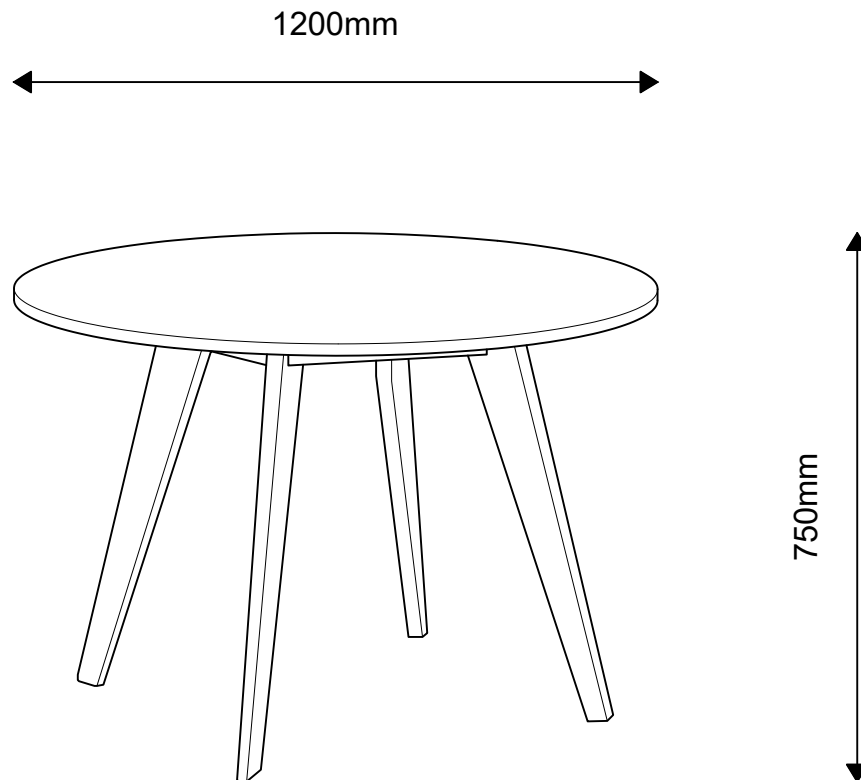


# Assembly Instructions

Norse Dining Table

520006



## Keep these instructions for future reference

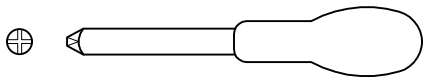
Assemble the furniture on a soft level surface to avoid damaging the furniture or your floor.

We recommend furniture be assembled near where they will be placed, to avoid moving the product unnecessarily once assembled.

If there is a need to move the furniture, please remove all loose items and have extra hands to help lift the furniture to the desired location. Dragging the furniture will damage both the furniture and the floor.

Regularly check and re-tighten (if necessary) all bolts on furniture that you have assembled yourself.

## Tools Required



## Care and Maintenance of your Furniture

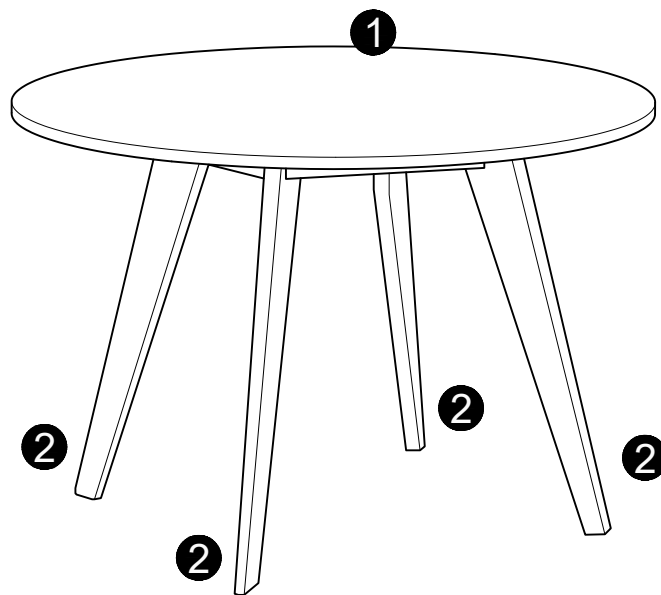
THIS TOP IS FINISHED WITH A CLEAR PU LACQUER.

Avoid placing hot items directly onto the surface unless using a thick insulation material such as placemats or coasters. Heat may lead to discolouration or other damage to the surface of the product.

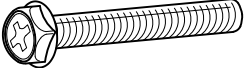



Use a soft cloth that has been dampened in water to clean the surface of this product. Do not use abrasive cleaners, furniture wax or polish on the surface of this product, as it may damage the surface.

**CAUTION: FREQUENT EXPOSURE TO DIRECT SUNLIGHT OR SIMILAR SOURCES MAY CAUSE THE SURFACE TO DISCOLOUR OR FADE.**

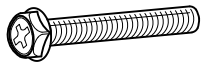
# PARTS LIST



## HARDWARE LIST

A x 8  $\frac{5}{16}$ " x 3"	B x 8  M8	C x 8  M8 x 22 mm	D x 1  M8 x 22 mm
---	--	--	--

# 1



A x 8  
5/16" x 3"



B x 8  
M8

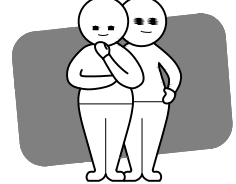


C x 8  
M8 x 22 mm

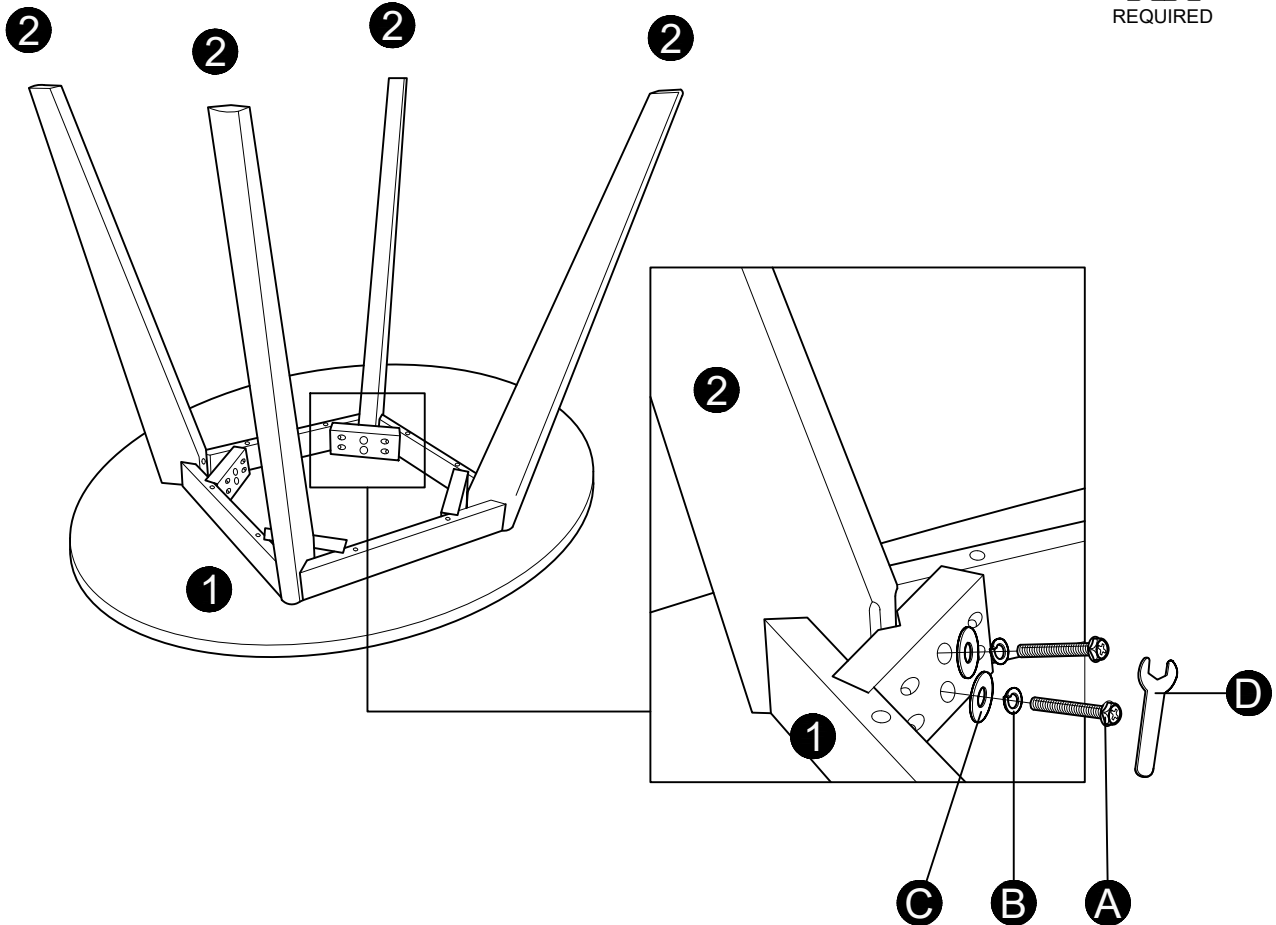


D x 1

TWO PEOPLE



REQUIRED

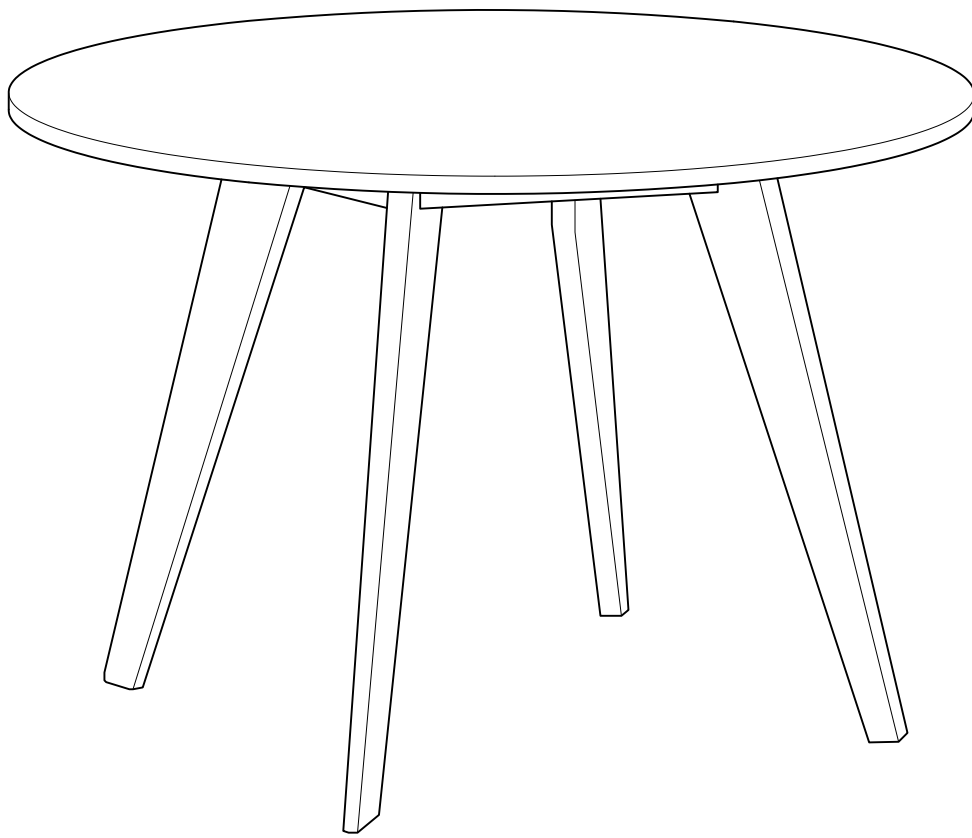
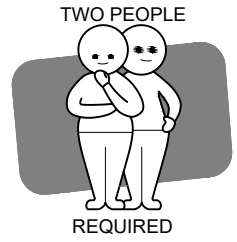
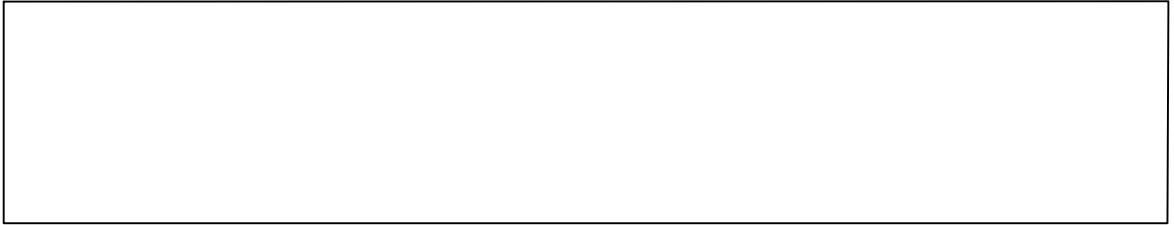


**You may keep the Table Top (1) in the carton box, or with the help of another person, place the Table Top (1) on a covered surface.**

Position Leg (2) onto the underside of the Table Top (1) as shown, making sure the leg is pointing away from the center of the Table Top (1). Fix Leg (2) to the Table Top (1) with Bolts (A), Spring Washer (B), and Flat Washer (C). Tighten Bolts (A) using Spanner (D).

Repeat with the remaining legs.

# 2



**With help, carefully turn the table over.**