

AMERICANA

Corner Sofa with Coffee Table / Stool






WHAT'S IN THE BOX

- 1* Sofa Section LHF / RHF Arm
- 1* Section LHF Arm
- 1* Coffee Table / Stool
- 1* Glass for Coffee Table
- 12* Straight Legs 2x Screw Holes
- 2* Straight Legs 1x Screw Hole

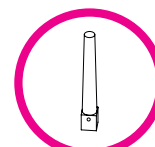
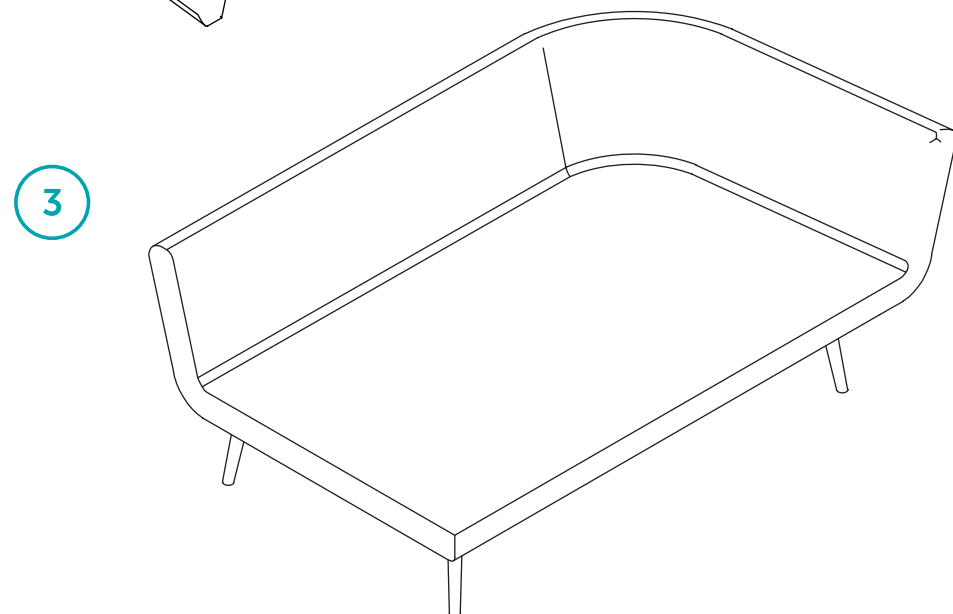
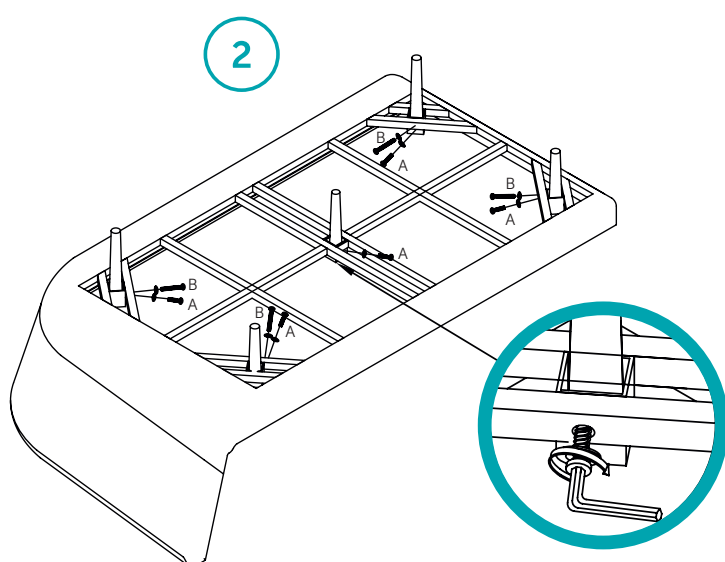
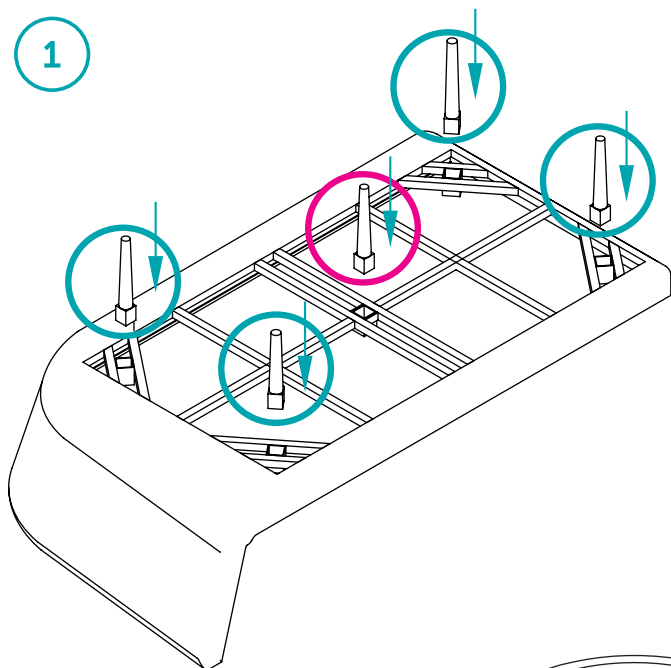
CUSHIONS

- 2* Seat Sofa Cushions
- 6* Sofa Back Cushions
- 1* Seat Stool Cushions
- Cushions inside the rattan frame

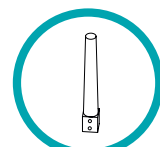
ACCESSORIES

- 14* Short Bolts (A) 
- 12* Short Bolts (B) 
- 26* Washers 
- Allen Key 
- 2* Connecting clips 

SOFA ASSEMBLY



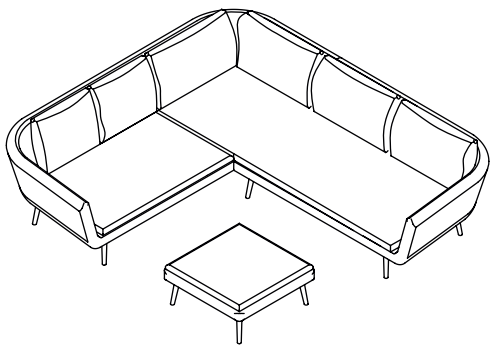
Middle Legs
1 Screw



Back and
Front Legs
2 Screws

Sofa Section
LHF

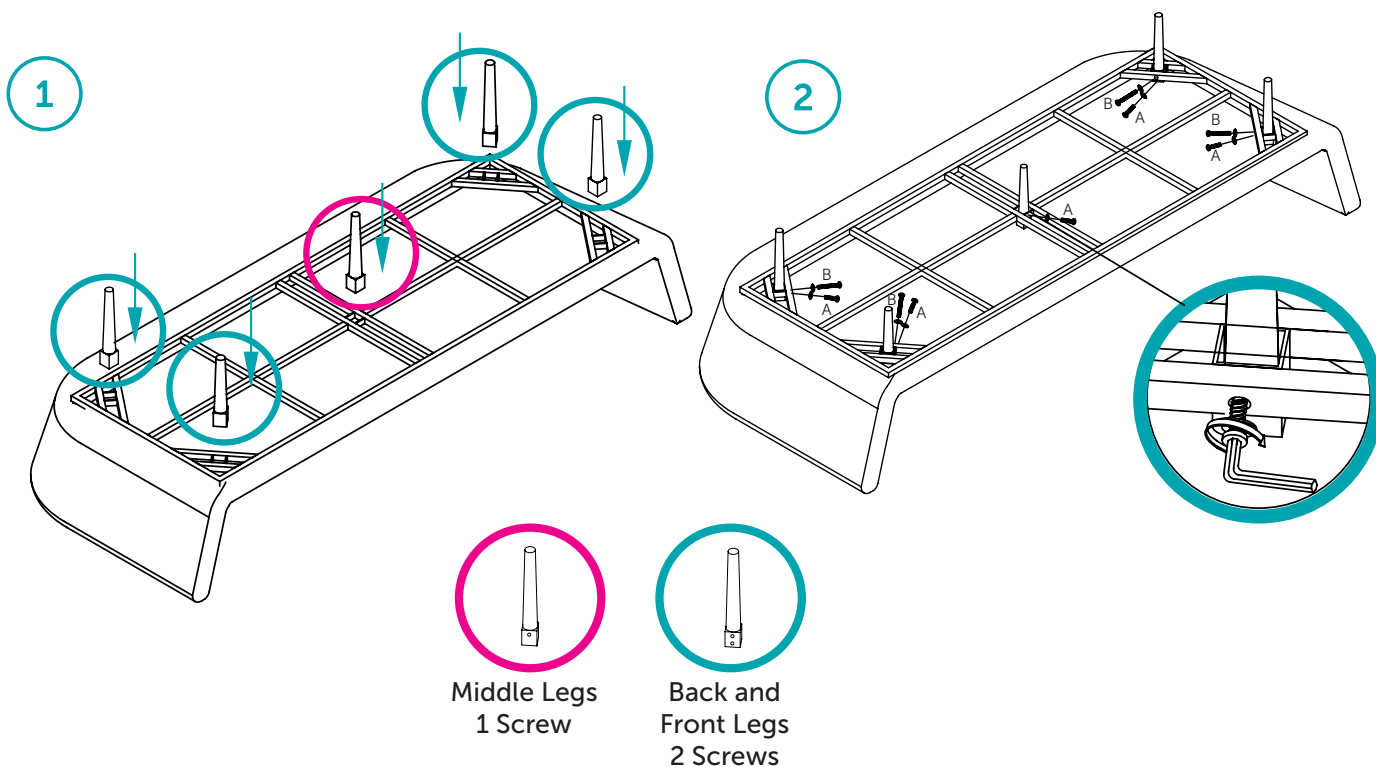
Sofa Section RHF / LHF



AMERICANA

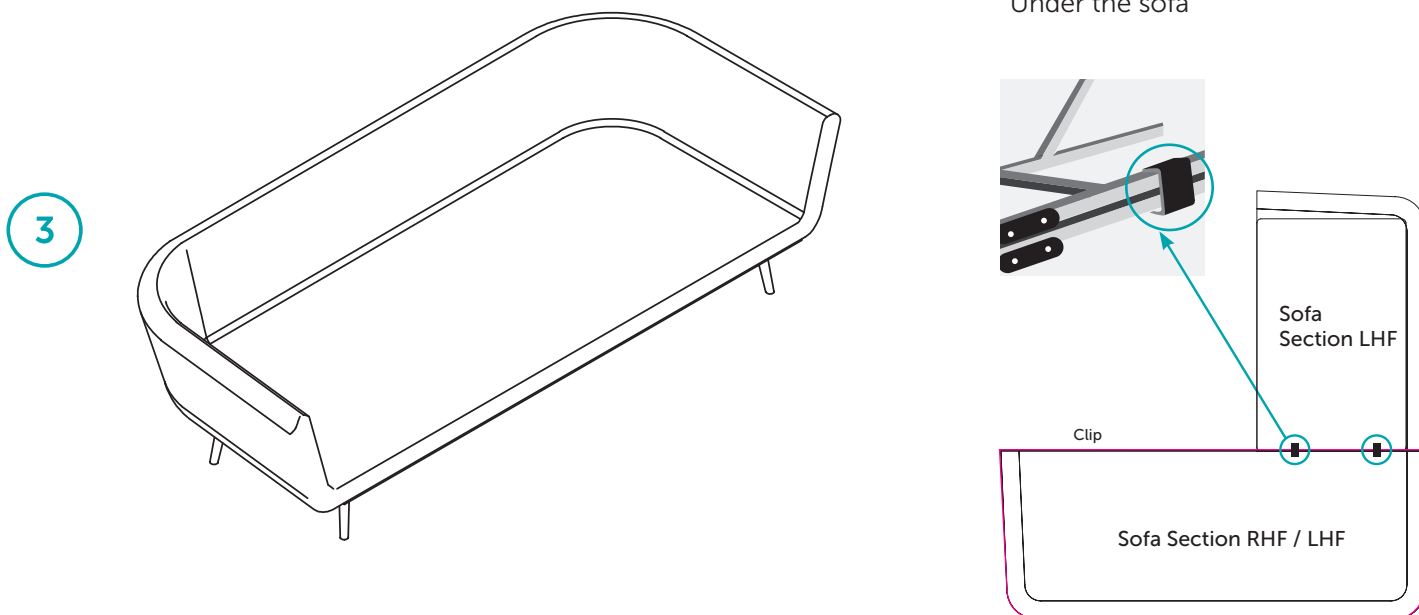
Corner Sofa with Coffee Table / Stool

SOFA ASSEMBLY



CONNECTING CLIPS

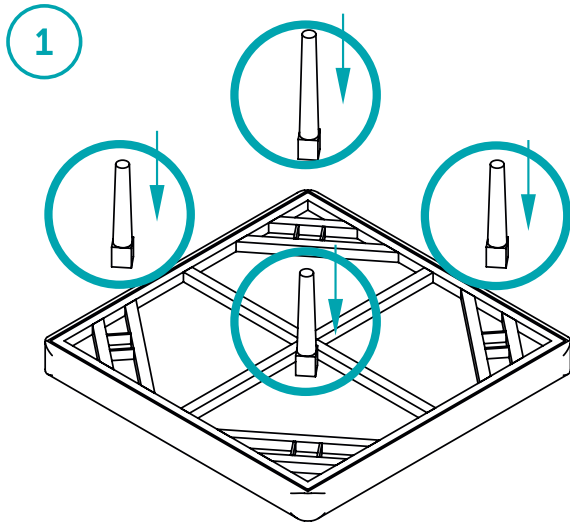
Under the sofa



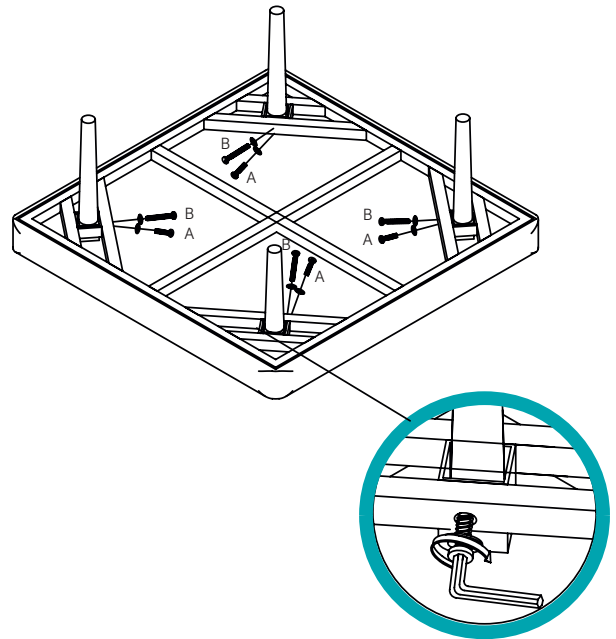
AMERICANA

Corner Sofa with Coffee Table / Stool

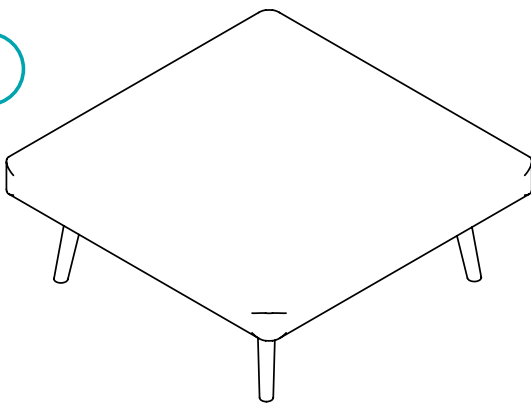
TABLE ASSEMBLY INSTRUCTIONS



2



3



This table can be used as a coffee table or a seat.



Remove the glass before you use it as a seat



Cushions should be stored dry when the set is not in use. The life span of your cushions will reduce significantly if they are left exposed to the elements.



Keep your garden set away from sources of extreme heat and naked flames. This includes direct sunlight and firepits.

Please check our website for all your Care Instructions

Leave us a review