



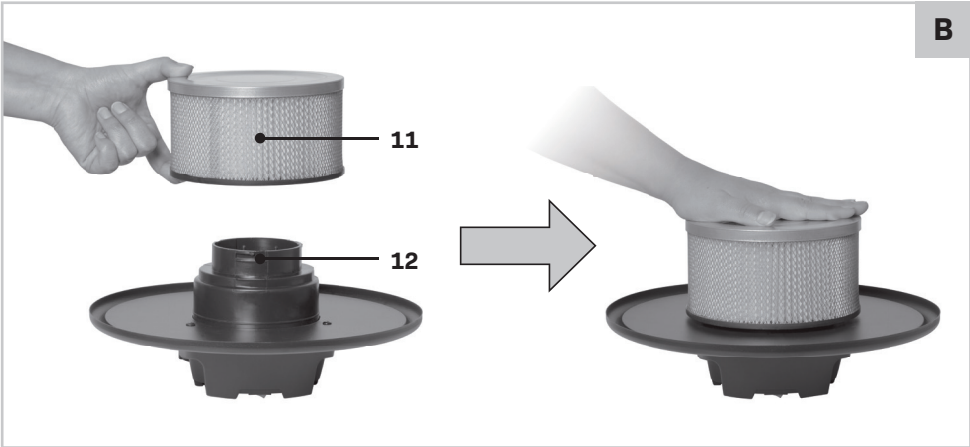
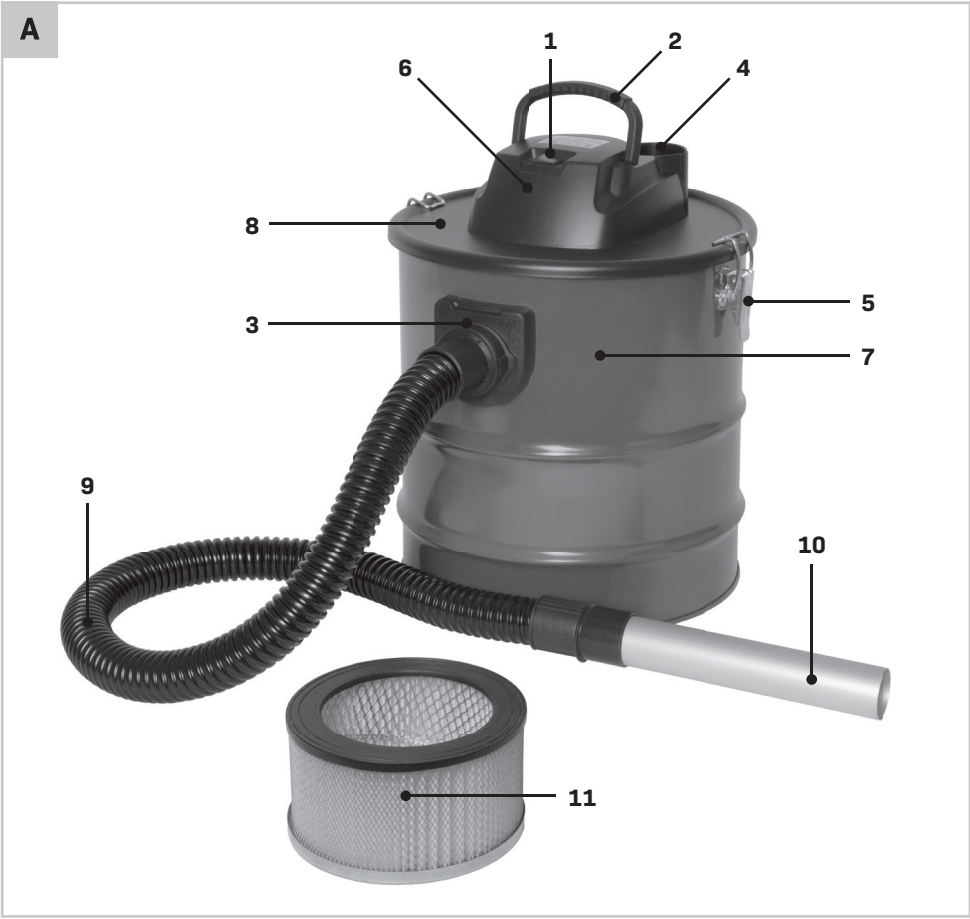
VONROC®

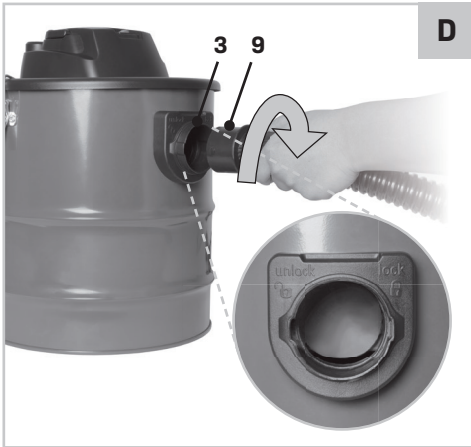
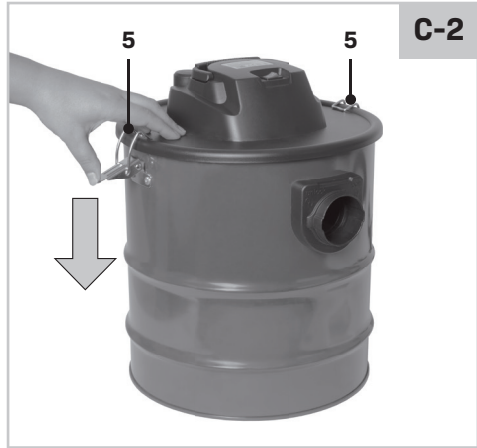
BUILD YOUR FUTURE

ASH VACUUM CLEANER VC505AC



EN	Original Instructions	04
DE	Übersetzung Der Originalbetriebsanleitung	09
NL	Vertaling van de oorspronkelijke gebruiksaanwijzing	14
FR	Traduction de la notice originale	19
ES	Traducción del manual original	25
IT	Traduzione delle istruzioni originali	30
SV	Översättning av bruksanvisning i original	36
DA	Oversættelse af den originale brugsanvisning	41
PL	Tłumaczenie instrukcji oryginalnej	46
RO	Traducere a instrucțiunilor originale	51
TR	Orijinal talimatların çevirisi	56





1. SAFETY INSTRUCTIONS

Read the enclosed safety warnings, the additional safety warnings and the instructions. Failure to follow the safety warnings and the instructions may result in electric shock, fire and/or serious injury. Save the safety warnings and the instructions for future reference.

The following symbols are used in the user manual or on the product:



Read the user manual.



Denotes risk of personal injury, loss of life or damage to the tool in case of non-observance of the instructions in this manual.



Risk of electric shock.



Immediately remove the mains plug from the mains if the mains cable becomes damaged and during cleaning and maintenance.



Class II machine - Double insulation - You don't need any earthed plug.



For cold ash only! There is a risk of fire if the suction material exceeds a temperature of 40°C (104°F)!



If the temperature of the material exceeds 40°C, there is a risk of fire.



Do not dispose of the product in unsuitable containers.



The product is in accordance with the applicable safety standards in the European directives.

SAFETY NOTES

THIS APPLIANCE CAN BE USED BY CHILDREN AGED FROM 8 YEARS AND ABOVE AND PERSONS WITH REDUCED PHYSICAL, SENSORY OR MENTAL CAPABILITIES OR LACK OF EXPERIENCE AND KNOWLEDGE IF THEY HAVE BEEN GIVEN SUPERVISION OR INSTRUCTION CONCERNING USE OF THE APPLIANCE IN A SAFE WAY AND

UNDERSTAND THE HAZARDS INVOLVED. CHILDREN SHALL NOT PLAY WITH THE APPLIANCE. CLEANING AND USER MAINTENANCE SHALL NOT BE MADE BY CHILDREN WITHOUT SUPERVISION. IF THE SUPPLY CORD IS DAMAGED, IT MUST BE REPLACED BY THE MANUFACTURER, ITS SERVICE AGENT OR SIMILARLY QUALIFIED PERSON IN ORDER TO AVOID A HAZARD. THE PLUG MUST BE REMOVED FROM THE SOCKET OUTLET BEFORE CLEANING OR MAINTAINING THE APPLIANCE.

- 1) Keep your work area clean: Cluttered work areas and workbenches are a source of injury.
- 2) The vacuum cleaner should be properly assembled before use.
- 3) Use only extension cords approved for outdoor use (when the vacuum is used outside) and make sure that they are always in good condition.
- 4) Protect the electric cables and, in particular, make sure that they are not crushed, pulled, or damaged by edges, sharp pieces, or moving parts; or damaged by corrosive liquids.
- 5) Do not use a damaged extension cord. Do not make any permanent or temporary repairs to the cable itself.
- 6) Do not use a vacuum cleaner that has a damaged electric cord. Have a new cable installed by an authorised service center.
- 7) Do not attach anything else to the socket, electric cords, or extension cord.
- 8) Before plugging your vacuum cleaner into the electrical outlet, make sure that the voltage and the outlet requirements match what is indicated on the label next to the cord.
- 9) Do not pull the device by the cord.
- 10) Your machine should always be turned off before unplugging it from the outlet or the extension cord.
- 11) Before leaving the device unsupervised (even for a brief time) turn it off and unplug it from the electrical outlet. This should also be done if there is a loss of power.
- 12) Do not underestimate its power. Always maintain a balanced and stable stance.
- 13) Keep children and pets away from the machine. When the machine is operating, everyone should stay at a safe distance.
- 14) The device should not be used by children or by persons who are not familiar with the device or

- who have not read this instruction manual.
- 15) The user of the device is responsible for the safety of others while using it.
 - 16) The vacuum should only be used for its intended purposes.
 - 17) Before performing any maintenance, adjustment or cleaning procedures on the vacuum cleaner, turn it off, unplug it from the electrical outlet, and wait for the motor to stop.
 - 18) Be very careful when checking, cleaning, or performing maintenance on the device and wear thick work gloves to protect your hands.
 - 19) Neither the security devices nor the electric cords should be modified or removed from the machine.
 - 20) When using the machine, it should be kept steady and on a stable surface or supported by the body.
 - 21) Only work in full daylight or with appropriate artificial light.
 - 22) We recommend using some type of hearing protection for your ears.
 - 23) If the machine vibrates abnormally, stop the motor and look for the cause immediately. Vibrations usually mean a problem.
 - 24) The vacuum cleaner should be properly checked before each use. Do not use a machine that is not in perfect condition. If you notice a problem that could constitute a danger to the user, have the machine repaired before using it.
 - 25) For safety reasons, replace worn or damaged parts. Use only manufacturer approved replacement parts. Parts from sources other than the manufacturer may not fit properly or may be dangerous or cause injuries. The power cord can only be replaced by specialized customer service centers.
 - 26) Only use the vacuum cleaner in areas that are dry and protected from bad weather. Do not use it outside when it is raining.
 - 27) Store the vacuum in a dry place, out of the reach of children.
 - 28) Do not leave the power cord lying around once cleanup is done; someone could trip.
 - 29) Take care when emptying extremely heavy tanks.
 - 30) To avoid spontaneous combustion, empty the tank after every use.
 - 31) Do not use this machine to vacuum up flammable or combustible liquids, such as gasoline, photocopier powder, or volatile substances; and do not use the machine in areas where these

- liquids are present. Do not vacuum up acids.
- 32) Do not vacuum up any materials that are toxic, cancer causing, combustible, or any other dangerous materials, such as asbestos, asbestos dust, arsenic, barium, beryllium, lead, pesticides, or any other substances hazardous to your health.
- 33) Extreme caution should be used when vacuuming up wood or charcoal ashes, soot, cement, plaster, or plasterboard dust. These particles are extremely fine and can pass through the filters affecting the motor's performance or be blown into the air.
- 34) Do not vacuum up anything that is burning or smoldering, such as cigarettes, cigarette butts, matches, or hot ashes.
- 35) Never vacuum up salt water; it may destroy the motor.

SAFETY WARNINGS SPECIFIC FOR VACUUMING ASHES

- a) The vacuum cleaner must not be used for the separation of hazardous substances.
- b) Do not vacuum up soot!
- c) Only vacuum up the ash of permitted fuels!
- d) Do not vacuum up hot or burning objects or embers (e.g. cigarettes, charcoal, ashes, etc.). The temperature of the material must be below 40°C.
- e) Caution! If the temperature of the material exceeds 40°C, there is a risk of fire.
- f) Attention! Material that appears to have cooled down from the outside may still be very hot inside. This can be determined by combing the ashes with a metal tool before using the device. There will no longer be noticeable heat radiating from the cold ash.
- g) Hot ash particles may ignite again in the airflow.
- h) Temperatures exceeding 40°C may damage the vacuum cleaner, the hoses and the filter.
- i) Please make sure that the oven is cold before you vacuum clean ovens.
- j) Continuously check tubes, filter and vacuum cleaner for excessive temperatures during the vacuum cleaning.
- k) If you notice a temperature rise, switch off the vacuum cleaner immediately. Disconnect the vacuum cleaner from the mains and remove the filter. Remove the material from the filter. Let the vacuum cleaner cool down under supervision.
- l) Completely empty the vacuum cleaner after vacuuming.

SAFETY WARNINGS SPECIFIC FOR BLOWING

- a) Direct air discharge at work area only. Never at people or animals.
- b) Risk of flying objects. Keep bystanders away from the work area.
- c) Always wear safety goggles before using the blowing function.

Electrical safety

When using electric machines always observe the safety regulations applicable in your country to reduce the risk of fire, electric shock and personal injury. Read the following safety instructions and also the enclosed safety instructions.



Always check that the voltage of the power supply corresponds to the voltage on the rating plate label.



Class II machine - Double insulation - You don't need any earthed plug.

If operating a power tool in a damp location is unavoidable, use a residual current device (RCD) protected supply. Use of an RCD reduces the risk of electric shock.

2. MACHINE INFORMATION

Intended use

The vacuum cleaner is intended for domestic cold ash vacuuming, for example, cleaning a fireplace, barbeque or other ash residue. The vacuum cleaner is equipped with a blowing function. It can be used to blow dust and debris out of garages or of patios and driveways. The device is not suitable for commercial or industrial use.

TECHNICAL SPECIFICATIONS

Model No.	VC505AC
Mains voltage	220-240V~
Mains frequency	50-60 Hz
Power input	1600W
Cable length	3m
Protection category	Class II
Suction force	20 kPA, 1.6 m ³ /min
Container capacity	approx. 20 L
Filter	HEPA

Hose system	35mm
Hose Length	1.2m
Recommended Filter	VC808AC
Weight (incl. all accessories)	approx. 3.3 kg

DESCRIPTION

The numbers in the text refer to the diagrams on pages 2-3.

1. On/Off switch
2. Carrying handle
3. Vacuum port
4. Blowing port
5. Metal locking clamp
6. Nozzles storage
7. Container
8. Top section
9. Hose
10. Aluminium tube
11. HEPA Filter
12. Filter holder

3. ASSEMBLY



Before assembly, always switch off the machine and remove the mains plug from the mains.

- Slide the HEPA filter (11) over the filter holder (12) as shown in Fig. B.



Clean the HEPA filter (11) regularly and after every heavy use to maintain the suction power.

- Place the top section (8) on the container (7) as shown in Fig. C1.
- Secure the metal locking clamps of the container to the top section as shown in Fig. C2.
- Close the metal locking clamps by pushing them downwards.
- Connect the suction hose (9).
 - For vacuuming (Fig. D): Connect the suction hose (9) to the vacuum port (3).
 - For blowing (Fig. E): Connect the suction hose (9) to the blowing port (4).
- Connect the aluminum tube (10) to the hose (9).

4. OPERATION

Switching on (Fig. A):



Do not vacuum without a Hepa filter!

1. Fully unwind the suction hose (9).
2. Connect the mains plug.
3. Press the power switch (1) into the "ON/1" position to start your vacuum cleaner.

Switching off (Fig. A):

Press the power switch (1) into the "OFF/0" position to switch off your vacuum cleaner.

Vacuuming (Fig. B, C1, C2, D)



Clean the HEPA filter (11) regularly and after every heavy use to maintain the suction power.



Fine dust, such as dust from cement, soot and plaster are too fine to be used. Risk getting into the motor and damaging it.

1. Switch off (1) the machine and remove the mains plug from the mains.
2. Unlock the metal locking clamps (5) and remove the top section (8).
3. Before vacuuming, remove all dirt and debris from the container (7).
4. Fit the filter. Carefully slide the HEPA filter (11) over the filter holder (12) as shown in Fig. B.
5. Place the top section (8) on the container (7) as shown in Fig. C1.
6. Reattach the top section (8) again and lock the locking clamps (5). Fig C2.
7. Insert one end of the hose (9) into the vacuuming port (3). Fully unwind the suction hose (9). Fig. D.
8. Connect the mains plug.
9. Press the power switch (1) into the "ON/1" position to start your vacuum cleaner.
10. The machine now is ready to use for vacuum cleaning.
11. Press the power switch (1) into the "OFF/0" position to switch off your vacuum cleaner.

Blow function (Fig. C1, C2, E)



Operation without the use of a filter is recommended.



Remove all dirt and debris from the container (7) before you use the blow function.



Always wear safety goggles before using the blowing function.



Risk of flying objects. Keep bystanders away from the work area.

Your vacuum cleaner is equipped with a blowing function. It can be used to blow dust and debris out of garages or off patios and driveways.

1. Switch off (1) the machine and remove the mains plug from the mains.
2. Unlock the locking clamp (5) and remove the top section (8).
3. Before blowing, remove the filter (11) and remove all dirt and debris from the container (7).
4. Reattach the top section (8) again and lock the locking clamp (5). Fig. C1, C2.
5. Insert one end of the hose (9) into the blowing port (4) on top of machine. Fully unwind the suction hose (9). Fig. E.
6. Connect the mains plug.
7. Press the power switch (1) into the "ON/1" position to start your vacuum cleaner.
8. The machine is now ready for blowing dust and debris.
9. Press the power switch (1) into the "OFF/0" position to switch off your vacuum cleaner.

Finish operation (Fig. F)

1. Turn off (1) the machine and disconnect the mains plug.
2. Remove the top section (8) and empty the container (7).
3. Clean the machine with a soft cloth.
4. Disconnect hose, tube and container.
5. Clean hose connectors, hose and tube after use, and keep them unblocked.
6. Stow away the mains cable and accessory at the machine as shown. Store the appliance in a dry room.

5. MAINTENANCE



Before cleaning and maintenance, always switch off the machine and remove the mains plug from the mains.

Clean the machine casings regularly with a soft cloth, preferably after each use. Make sure that the ventilation openings are free of dust and dirt. Remove very persistent dirt using a soft cloth moistened with soapsuds. Do not use any solvents such as gasoline, alcohol, ammonia, etc. Chemicals such as these will damage the synthetic components.

Filters (Fig. B)



For optimal performance it is recommended to regularly change the filter (11) depending on level of use.

1. Carefully remove HEPA filter (11).
2. Clean the dust on HEPA filter (11) with brush, and if necessary, wash it
3. Do not use cleaning products, solvents or sharp objects for any cleaning of the appliance, this included the washable HEPA filter
4. Allow filter to air dry before installing and using again.
5. Re-install the filter.

ENVIRONMENT



Faulty and/or discarded electrical or electronic apparatus have to be collected at the appropriate recycling locations.

Only for EC countries

Do not dispose of power tools into domestic waste. According to the European Guideline 2012/19/EC for Waste Electrical and Electronic Equipment and its implementation into national right, power tools that are no longer usable must be collected separately and disposed of in an environmentally friendly way.

WARRANTY

VONROC products are developed to the highest quality standards and are guaranteed free of defects in both materials and workmanship for the period lawfully stipulated starting from the date of original purchase. Should the product develop any failure during this period due to defective material and/or workmanship then contact VONROC directly.

The following circumstances are excluded from this guarantee:

- Repairs and or alterations have been made or attempted to the machine by unauthorized service centers;
- Normal wear and tear;
- The tool has been abused, misused or improperly maintained;
- Non-original spare parts have been used.

This constitutes the sole warranty made by company either expressed or implied. There are no other warranties expressed or implied which extend beyond the face hereof, herein, including the implied warranties of merchantability and fitness for a particular purpose. In no event shall VONROC be liable for any incidental or consequential damages. The dealers remedies shall be limited to repair or replacement of nonconforming units or parts.

The product and the user manual are subject to change. Specifications can be changed without further notice.

1. SICHERHEITSANWEISUNGEN

Lesen Sie die beigelegten Sicherheitswarnungen, die zusätzlichen Sicherheitswarnungen und die Anweisungen. Die Nichteinhaltung der Sicherheitswarnungen und der Anweisungen kann in einem Stromschlag, Brand und/oder in schweren Verletzungen resultieren. Bewahren Sie die Sicherheitswarnungen und Anweisungen für künftige Referenzzwecke auf.

Die folgenden Symbole werden im Benutzerhandbuch oder auf dem Produkt verwendet:



Lesen Sie das Benutzerhandbuch.



Lebens- und Verletzungsgefahr und Gefahr von Beschädigungen am Werkzeug/ Gerät bei Nichteinhaltung der Anweisungen in dieser Bedienungsanleitung.



Gefahr eines Stromschlags.



Ziehen Sie sofort den Netzstecker aus der Steckdose, falls das Netzkabel beschädigt wird sowie bei der Reinigung und Wartung.



Werkzeug/Gerät der Schutzklasse II - schutzisoliert - kein Schutzkontaktanschluss erforderlich.



Nur für kalte Asche! Es besteht Brandgefahr, wenn das aufgesaugte Material eine Temperatur von 40°C übersteigt!



Wenn die Temperatur des Materials 40°C übersteigt, besteht Brandgefahr.



Entsorgen Sie das Produkt nicht in hierfür nicht vorgesehenen Abfallbehältern.



Das Produkt entspricht den geltenden Sicherheitsnormen der europäischen Richtlinien.

SICHERHEITSHINWEISE

DIESES GERÄT KANN VON KINDERN AB 8 JAHREN UND DARÜBER SOWIE VON PERSONEN MIT VERRINGERTEN PHYSISCHEN, SENSORISCHEN ODER MENTALEN

FÄHIGKEITEN ODER MANGEL AN ERFAHRUNG UND WISSEN BENUTZT WERDEN, WENN SIE BEAUFSICHTIGT ODER BEZÜGLICH DES SICHEREN GEBRAUCHS DES GERÄTES UNTERWIESEN WURDEN UND DIE DARAUSS RESULTIERENDEN GEFAHREN VERSTEHEN. KINDER DÜRFEN NICHT MIT DEM GERÄT SPIELEN. REINIGUNG UND BENUTZER-WARTUNG DÜRFEN NICHT VON KINDERN OHNE BEAUFSICHTIGUNG DURCHGEFÜHRT WERDEN. BESCHÄDIGTE NETZKABEL MÜSSEN DURCH DEN HERSTELLER, DESSEN KUNDENDIENST ODER ÄHNLICH QUALIFIZIERTE FACHLEUTE AUSGETAUSCHT WERDEN, UM GEFAHRENSITUATIONEN ZU VERMEIDEN. DER STECKER MUSS VOR DER REINIGUNG ODER WARTUNG DES GERÄTS AUS DER STECKDOSE GEZOGEN WERDEN.

- 1) Halten Sie Ihren Arbeitsbereich sauber: Unübersichtliche Arbeitsbereiche und Werkbänke stellen eine Verletzungsquelle dar.
- 2) Der Staubsauger sollte vor dem Gebrauch ordnungsgemäß zusammengebaut werden.
- 3) Verwenden Sie nur Verlängerungskabel, die für die Verwendung im Freien zugelassen sind (wenn der Staubsauger im Freien verwendet wird), und stellen Sie sicher, dass sie immer in gutem Zustand sind.
- 4) Schützen Sie die Stromkabel und stellen Sie insbesondere sicher, dass sie nicht gequetscht, gezogen oder durch Kanten, scharfe oder bewegliche Teile oder durch korrosive Flüssigkeiten beschädigt werden.
- 5) Verwenden Sie kein beschädigtes Verlängerungskabel. Nehmen Sie weder vorübergehende noch dauerhafte Reparaturen am Kabel selbst vor.
- 6) Verwenden Sie keinen Staubsauger mit einem beschädigten Stromkabel. Lassen Sie ein neues Kabel von einem autorisierten Kundendienstzentrum anbringen.
- 7) Schließen Sie keine anderen Geräte an die Steckdose, das Stromkabel oder Verlängerungskabel an.
- 8) Bevor Sie Ihren Staubsauger an die Steckdose anschließen, vergewissern Sie sich, dass die Spannung und die Anforderungen an die Steckdose mit den Angaben auf dem Etikett neben dem Kabel übereinstimmen.
- 9) Ziehen Sie das Gerät nicht am Kabel.

- 10) Ihr Gerät sollte immer ausgeschaltet sein, bevor Sie den Stecker aus der Steckdose ziehen oder das Verlängerungskabel trennen.
 - 11) Bevor Sie das Gerät unbeaufsichtigt lassen (auch nur für kurze Zeit), schalten Sie es aus und ziehen Sie den Stecker aus der Steckdose. Das sollte auch dann geschehen, wenn ein Kraftverlust des Geräts auftritt.
 - 12) Unterschätzen Sie seine Kraft nicht. Behalten Sie stets eine ausbalancierte und stabile Haltung bei.
 - 13) Halten Sie Kinder und Haustiere von dem Gerät fern. Wenn das Gerät in Betrieb ist, sollten alle einen sicheren Abstand einhalten.
 - 14) Das Gerät sollte nicht von Kindern oder von Personen verwendet werden, die mit dem Gerät nicht vertraut sind oder die diese Bedienungsanleitung nicht gelesen haben.
 - 15) Der Benutzer des Geräts ist für die Sicherheit anderer bei der Benutzung verantwortlich.
 - 16) Der Staubsauger darf nur für den vorgesehenen Zweck verwendet werden.
 - 17) Bevor Sie Wartungs-, Einstellungs- oder Reinigungsverfahren am Staubsauger vornehmen, schalten Sie ihn aus, ziehen Sie den Stecker aus der Steckdose und warten Sie, bis der Motor zum Stillstand gekommen ist.
 - 18) Seien Sie bei der Überprüfung, Reinigung oder Wartung des Geräts sehr vorsichtig und tragen Sie zum Schutz Ihrer Hände dicke Arbeitshandschuhe.
 - 19) Weder die Sicherheitsvorrichtungen noch die Stromkabel dürfen verändert oder vom Gerät entfernt werden.
 - 20) Bei der Verwendung des Geräts sollte dieses stabil auf einer festen Oberfläche stehen oder vom Körper gestützt gehalten werden.
 - 21) Arbeiten Sie nur bei vollem Tageslicht oder mit angemessener Beleuchtung.
 - 22) Wir empfehlen die Verwendung eines Gehörschutzes für die Ohren.
 - 23) Wenn das Gerät anormal vibriert, stoppen Sie den Motor und ermitteln Sie sofort die Ursache. Vibrationen weisen in der Regel auf ein Problem hin.
 - 24) Der Staubsauger sollte vor jedem Gebrauch ordnungsgemäß überprüft werden. Verwenden Sie keine Geräte, die sich nicht in einwandfreiem Zustand befinden. Wenn Sie ein Problem feststellen, das eine Gefahr für den Benutzer darstellen könnte, lassen Sie das Gerät vor der weiteren Verwendung reparieren.
 - 25) Ersetzen Sie verschlissene oder beschädigte Teile, um die Sicherheit nicht zu beeinträchtigen. Verwenden Sie nur vom Hersteller zugelassene Ersatzteile. Teile aus anderen Quellen als dem Hersteller passen möglicherweise nicht richtig oder können Gefahren darstellen oder Verletzungen verursachen. Das Stromkabel darf nur von spezialisierten Kundendienstzentren ersetzt werden.
 - 26) Verwenden Sie den Staubsauger nur in trockenen und vor Witterungseinflüssen geschützten Bereichen. Verwenden Sie es bei Regen nicht im Freien.
 - 27) Bewahren Sie den Staubsauger an einem trockenen Ort und außerhalb der Reichweite von Kindern auf.
 - 28) Lassen Sie das Stromkabel nach dem Aufräumen nicht herumliegen; jemand könnte darüber stolpern.
 - 29) Vorsicht beim Entleeren extrem schwerer Behälter.
 - 30) Um eine Selbstentzündung zu vermeiden, leeren Sie den Behälter nach jedem Gebrauch.
 - 31) Verwenden Sie dieses Gerät nicht zum Aufsaugen von brennbaren oder brennbaren Flüssigkeiten wie Benzin, Fotokopierpulver oder flüchtigen Substanzen; und verwenden Sie es nicht in Bereichen, in denen solche Flüssigkeiten vorhanden sind. Keine Säuren aufsaugen.
 - 32) Saugen Sie keine giftigen, krebserregenden, brennbaren oder anderen gefährlichen Materialien auf, wie z.B. Asbest, Asbeststaub, Arsen, Barium, Beryllium, Blei, Pestizide oder andere gesundheitsgefährdende Substanzen.
 - 33) Äußerste Vorsicht ist beim Aufsaugen von Holzoder Kohlenasche, Ruß, Zement, Gips oder Gipskartonplattenstaub geboten. Diese Partikel sind extrem fein und können daher die Filter passieren und die Leistung des Motors beeinträchtigen oder in die Luft geblasen werden.
 - 34) Saugen Sie nichts auf, was brennt oder glimmt, wie z.B. Zigaretten, Zigarettenstummel, Streichhölzer oder heiße Asche.
 - 35) Niemals Salzwasser aufsaugen, es kann den Motor zerstören.
- SPEZIELLE SICHERHEITSHINWEISE FÜR DAS AUFSAUGEN VON ASCHEN**
- a) Der Staubsauger darf nicht für die Abscheidung von gefährlichen Stoffen verwendet werden.
 - b) Keinen Ruß aufsaugen!
 - c) Nur die Asche der zugelassenen Brennstoffe aufsaugen!
 - d) Keine heißen oder brennenden Gegenstände

oder Glut aufsaugen (wie Zigaretten, Holzkohle, Asche usw.). Die Temperatur des Materials muss unter 40°C liegen.

- e) Vorsicht! Wenn die Temperatur des Materials 40°C übersteigt, besteht Brandgefahr.
- f) Achtung! Material, das von außen abgekühlt zu sein scheint, kann innen noch sehr heiß sein. Dies kann festgestellt werden, indem die Asche vor der Verwendung des Geräts mit einem Metallwerkzeug etwas verteilt wird. Von kalter Asche ist keine Wärmeabstrahlung mehr wahrnehmbar.
- g) Heiße Aschepartikel können sich im Luftstrom wieder entzünden.
- h) Temperaturen über 40°C können Staubsauger, Schläuche und Filter beschädigen.
- i) Es ist sicherzustellen, dass Öfen kalt sind, bevor Sie diese aussaugen.
- j) Rohre, Filter und Staubsauger sind während des Staubsaugens kontinuierlich auf zu hohe Temperaturen zu kontrollieren.
- k) Wird ein Temperaturanstieg festgestellt, schalten Sie den Staubsauger sofort aus. Trennen Sie den Staubsauger vom Netz und entfernen Sie den Filter. Entfernen Sie das Material aus dem Filter. Behalten Sie den Staubsauger beim Abkühlen im Blick.
- l) Entleeren Sie den Staubsauger nach dem Staubsaugen vollständig.

SPEZIELLE SICHERHEITSHINWEISE FÜR BLASARBEITEN

- a) Luftaustritt nur auf den Arbeitsbereich richten. Niemals auf Menschen oder Tiere.
- b) Risiko von umherfliegenden Objekten. Zuschauer aus dem Arbeitsbereich fernhalten.
- c) Vor Verwendung der Blasfunktion immer eine Schutzbrille aufsetzen.

Sicherheit bei Elektrizität

Beachten Sie bei der Arbeit mit elektrischen Werkzeugen/Geräten stets die in Ihrem Land geltenden Sicherheitsvorschriften, um Personenschäden, Stromschläge und Brände zu vermeiden. Lesen Sie die folgenden Sicherheitshinweise sowie die beiliegenden Sicherheitshinweise sorgfältig durch.



Stellen Sie immer sicher, dass die Spannung der Stromversorgung der Nennspannung auf dem Typenschild des Werkzeugs/Geräts entspricht.



Werkzeugs/Geräts entspricht. Werkzeug/Gerät der Schutzklasse II - schutzisoliert - kein Schutzkontaktanschluss erforderlich.

Wenn sich Arbeiten mit einem Elektrowerkzeug in feuchten Umgebungen nicht vermeiden lassen, verwenden Sie eine Stromversorgung mit einer Fehlerstrom-Schutzeinrichtung (RCD). Durch die Verwendung einer RCD wird die Gefahr eines elektrischen Schlags verringert.

2. ANGABEN ZUM WERKZEUG

Verwendungszweck

Der Staubsauger ist zum Aufsaugen von kalter Asche in Privathaushalten vorgesehen, zum Beispiel Asche aus einem Kamin, Grill oder andere Aschereste. Der Staubsauger ist mit einer Blasfunktion ausgestattet. Sie kann zum Wegblasen von Staub und Schmutz aus Garagen oder von Innenhöfen und Einfahrten verwendet werden. Das Gerät ist nicht für den gewerblichen oder industriellen Gebrauch geeignet.

TECHNISCHE DATEN

Modellnummer	VC505AC
Netzspannung	220-240V~
Netzfrequenz	50-60 Hz
Leistungsaufnahme	1600W
Kabellänge	3m
Schutzklasse	Class II
Saugkraft	20 kPA, 1,6 m³/min
Behälterkapazität	ca. 20 L
Filter	HEPA
Schlauchsystem	Ø 35mm
Schlauchlänge	1,2m
Empfohlener Filter	VC808AC
Gewicht (inkl. aller Zubehörteile)	ca. 3,3 kg

BESCHREIBUNG

Die Zahlen im Text beziehen sich auf die Abbildungen auf den Seiten 2 - 3.

1. Ein-/Ausschalter
2. Tragegriff
3. Sauganschluss
4. Blasanschluss
5. Metallverriegelungsklammer
6. Aufbewahrung von Düsen
7. Behälter
8. Oberteil
9. Schlauch
10. Aluminiumrohr
11. HEPA-Filter
12. Filterhalter

3. MONTAGE



Schalten Sie die Maschine vor der Montage aus und ziehen Sie den Netzstecker aus der Steckdose.

- Schieben Sie den HEPA-Filter (11) wie in Abb. B gezeigt über den Filterhalter (12).



Reinigen Sie den HEPA-Filter (11) regelmäßig und nach jedem intensiven Gebrauch, um die Saugleistung aufrechtzuerhalten.

- Setzen Sie das Oberteil (8) wie in Abb. C1 dargestellt auf den Behälter (7).
- Befestigen Sie die Metallverriegelungsklammern des Behälters wie in Abb. C2 dargestellt am Oberteil.
- Schließen Sie die Metallverriegelungsklammern, indem Sie sie nach unten drücken.
- Schließen Sie den Saugschlauch (9) an.
 - Zum Saugen (Abb. D) wird der Saugschlauch (9) mit dem Sauganschluss (3) verbunden.
 - Zum Blasen (Abb. E) wird der Saugschlauch (9) mit dem Blasanschluss (4) verbunden.
- Bringen Sie das Aluminiumrohr (10) am Schlauch (9) an.

4. BETRIEB

Einschalten (Abb. A):



Nicht ohne HEPA-Filter saugen!

1. Wickeln Sie den Saugschlauch (9) vollständig ab.
2. Stecken Sie den Netzstecker in die Steckdose.
3. Stellen Sie den Netzschalter (1) in die Position „ON/1“, um den Staubsauger zu starten.

Ausschalten (Abb. A):

Stellen Sie den Netzschalter (1) in die Position „OFF/0“, um den Staubsauger auszuschalten.

Staubsaugen (Abb. B, C1, C2, D)



Reinigen Sie den HEPA-Filter (11) regelmäßig und nach jedem intensiven Gebrauch, um die Saugleistung aufrechtzuerhalten.



Feiner Staub, wie Zement-, Ruß- und Gipsstaub, ist zu fein, um verwendet zu werden, und birgt die Gefahr, in den Motor zu gelangen und ihn zu beschädigen.

1. Schalten Sie das Gerät aus (1) und ziehen Sie den Netzstecker aus der Steckdose.
2. Entriegeln Sie die Metallverriegelungsklammer (5) und nehmen Sie das Oberteil (8) ab.
3. Entfernen Sie vor dem Saugen sämtlichen Schmutz und Ablagerungen aus dem Behälter (7).
4. Bringen Sie den Filter an. Schieben Sie den HEPA-Filter (11) wie in Abb. B dargestellt vorsichtig über den Filterhalter (12).
5. Setzen Sie das Oberteil (8) wie in Abb. C1 dargestellt auf den Behälter (7).
6. Bringen Sie das Oberteil (8) wieder an und verriegeln Sie die Verriegelungsklammer (5). Abb. C2.
7. Stecken Sie ein Ende des Schlauchs (9) in den Sauganschluss (3). Wickeln Sie den Saugschlauch (9) vollständig ab. Abb. D.
8. Stecken Sie den Netzstecker in die Steckdose.
9. Stellen Sie den Netzschalter (1) in die Position „ON/1“, um den Staubsauger zu starten.
10. Das Gerät ist nun zum Trockensaugen bereit.
11. Stellen Sie den Netzschalter (1) in die Position „OFF/0“, um den Staubsauger auszuschalten.

Blasfunktion (Abb. C1, C2, E)



Es wird der Betrieb ohne den Einsatz eines Filters empfohlen.



Vor der Verwendung der Blasfunktion sämtlichen Schmutz und Ablagerungen aus dem Behälter (7) entfernen.



Vor Verwendung der Blasfunktion immer eine Schutzbrille aufsetzen.



Risiko von umherfliegenden Objekten. Zuschauer aus dem Arbeitsbereich fernhalten.

Der Staubsauger ist mit einer Blasfunktion ausgestattet. Sie kann zum Wegblasen von Staub und Schmutz aus Garagen oder von Innenhöfen und Einfahrten verwendet werden.

1. Schalten Sie das Gerät aus (1) und ziehen Sie den Netzstecker aus der Steckdose.
2. Entriegeln Sie die Verriegelungsklammer (5) und nehmen Sie das Oberteil (8) ab.
3. Nehmen Sie vor dem Blasen die Filter (11) ab und entfernen Sie sämtlichen Schmutz und Ablagerungen aus dem Behälter (7).
4. Bringen Sie das Oberteil (8) wieder an und verriegeln Sie die Verriegelungsklammer (5). Abb. C1, C2.
5. Stecken Sie ein Ende des Schlauchs (9) in den Blasanschluss (4) hinten am Gerät. Wickeln Sie den Saugschlauch (9) vollständig ab. Abb. E.
6. Stecken Sie den Netzstecker in die Steckdose.
7. Stellen Sie den Netzschalter (1) in die Position „ON/1“, um den Staubsauger zu starten.
8. Das Gerät ist jetzt bereit, um Staub und Schmutz wegzublasen.
9. Stellen Sie den Netzschalter (1) in die Position „OFF/0“, um den Staubsauger auszuschalten.

Abschluss der Arbeit (Abb. F)

1. Schalten Sie das Gerät aus (1) und ziehen Sie den Netzstecker ab.
2. Nehmen Sie das Oberteil (8) ab und leeren Sie den Behälter (7).
3. Reinigen Sie das Gerät mit einem weichen Tuch.
4. Trennen Sie Schlauch, Rohr und Behälter.
5. Reinigen Sie Schlauchverbinder, Schlauch und Rohr nach dem Gebrauch und halten Sie sie frei von Blockierungen.
6. Verstauen Sie das Stromkabel und das Zubehör wie abgebildet am Gerät. Lagern Sie das Gerät aufrecht an einem trockenen Ort.

5. WARTUNG



Schalten Sie das Werkzeug immer aus, und entnehmen Sie den Akku aus dem Gerät, bevor Sie Reinigungs- oder Wartungsarbeiten am Werkzeug vornehmen.

Reinigen Sie das Werkzeuggehäuse regelmäßig mit einem weichen Lappen, vorzugsweise nach jeder Verwendung. Stellen Sie sicher, dass die Lüftungsöffnungen frei von Staub und Schmutz sind. Entfernen Sie anhaftenden Schmutz mit einem weichen Lappen, der leicht mit Seifenwasser befeuchtet wurde. Verwenden Sie keine Lösungsmittel wie Benzin, Alkohol, Ammoniak usw., da Chemikalien dieser Art die Kunststoffteile beschädigen.

Filter (Abb. B)



Für eine optimale Leistung wird empfohlen, die Filter (11) je nach Nutzungsgrad regelmäßig zu wechseln.

1. Entfernen Sie vorsichtig den HEPA-Filter (11).
2. Beseitigen Sie den Staub am HEPA-Filter (11) mit einem Pinsel und waschen Sie den Filter ggf. aus.
3. Verwenden Sie für die Reinigung des Geräts, einschließlich des waschbaren HEPA-Filters, keine Reinigungsmittel, Lösungsmittel oder scharfe Gegenstände.
4. Lassen Sie den Filter an der Luft trocknen, bevor Sie ihn wieder anbringen und erneut verwenden.
5. Bringen Sie den Filter wieder an.

UMWELTSCHUTZ



Schadhafte und/oder zu entsorgende elektrische oder elektronische Werkzeuge und Geräte müssen an den dafür vorgesehenen Recycling-Stellen abgegeben werden.

Nur für EG-Länder

Entsorgen Sie Elektrowerkzeuge nicht über den Hausmüll. Entsprechend der EU-Richtlinie 2012/19/EG über Elektro- und Elektronik-Altgeräte sowie der Umsetzung in nationales Recht müssen Elektrowerkzeuge, die nicht mehr im Gebrauch sind, getrennt gesammelt und umweltschonend entsorgt werden.

GARANTIE

VONROC-Producten worden naar de hoogste kwaliteitsstandaards ontwikkeld en zijn voor de wettelijk vastgestelde termijn, uitgaande van het oorspronkelijke aankoopdatum, gegarandeerd vrij van fouten in materiaal en uitvoering. Indien het product in deze termijn vanwege materiaal- en/of verwerkingstekorten fouten vertoont, wordt verzocht u zich te wenden tot de klantenservice van VONROC.

De volgende omstandigheden zijn van de garantie uitgesloten:

- Reparaturen en/of wijzigingen aan de machine, die door niet-geautoriseerde servicepunten zijn uitgevoerd of geprobeerd zijn.
- Normale slijtage en verslijt.
- Het gereedschap is overmatig belast, misbruikt of verkeerd onderhouden.
- Er zijn geen originele reserveonderdelen gebruikt.

Dit is de enige garantie van het bedrijf, zowel uitdrukkelijk als ook impliciet. Er zijn geen andere uitdrukkelijke of stilzwijgende garanties, die verder gaan dan hierboven genoemd, inclusief de stilzwijgende garanties van de beschikbaarheid of geschiktheid voor een bepaald doel. In geen geval is VONROC aansprakelijk voor schade van welke aard ook. De aansprakelijkheid van de dealer is beperkt tot reparatie of vervanging van defecte eenheden of onderdelen.

Am Produkt und am Benutzerhandbuch können Änderungen vorgenommen werden. Die technischen Daten können sich ohne Vorankündigung ändern.

1. VEILIGHEIDSVOORSCHRIFTEN

Lees de meegeleverde veiligheidsvoorschriften, de aanvullende veiligheidsvoorschriften en de instructies. Het niet in acht nemen van de veiligheidsvoorschriften en de instructies kan leiden tot elektrische schok, brand en/of ernstig letsel. Bewaar de veiligheidsvoorschriften en de instructies voor toekomstig gebruik.

De volgende symbolen worden gebruikt in de gebruikershandleiding of op het product:



Lees de gebruikershandleiding.



Gevaar voor lichamelijk letsel, overlijden of schade aan de machine wanneer de instructies in deze handleiding niet worden opgevolgd.



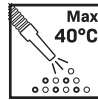
Gevaar voor elektrische schokken.



Verwijder onmiddellijk de netstekker uit het stopcontact indien het netsnoer beschadigd raakt en tijdens reiniging en onderhoud.



Klasse II apparaat - Dubbel geïsoleerd - Een geaarde stekker is niet noodzakelijk.



Alleen voor koude as! Brandgevaar als het opgezogen materiaal warmer is dan 40°C (104°F)!



Brandgevaar als het materiaal warmer is dan 40°C.



Werp het product niet weg in ongeschikte containers.



Het product is in overeenstemming met de van toepassing zijnde veiligheidsnormen in de Europese richtlijnen.

VEILIGHEIDSWAARSCHUWINGEN

DIT APPARAAT MAG WORDEN GEBRUIKT DOOR KINDEREN VANAF 8 JAAR EN DOOR PERSONEN MET VERMINDERDE LICHAAMELIJKE, ZINTUIGLIJKE OF GEESTELIJKE VERMOGENS, OF MET EEN GEBREK AAN ERVARING EN KENNIS, MITS ZIJ ONDER TOEZICHT STAAN OF GEÏNSTRUEERD ZIJN

BETREFFENDE HET VEILIG GEBRUIK VAN HET APPARAAT EN ZICH BEWUST ZIJN VAN DE ERMEE VERBONDEN RISICO'S. KINDEREN MOGEN NIET MET HET APPARAAT SPELEN. REINIGING EN GEBRUIKSONDERHOUD MOGEN NIET DOOR KINDEREN ZONDER TOEZICHT WORDEN UITGEVOERD. OM GEVAARLIJKE SITUATIES TE VOORKOMEN MOET HET NETSNOER DOOR DE FABRIKANT, ZIJN SERVICEMEDEWERKERS OF ANDERE GEKWALIFICEERDE PERSONEN WORDEN VERVANGEN ALS HET IS BESCHADIGD. DE STEKKER MOET UIT HET STOPCONTACT WORDEN GETROKKEN VOORDAT U HET APPARAAT REINIGT OF ONDERHOUD UITVOERT.

- 1) Houd uw werkplek schoon: Rommelige werkplekken en werkbanken zijn een bron van persoonlijk letsel.
- 2) De stofzuiger moet juist in elkaar worden gezet voordat u deze gebruikt.
- 3) Gebruik alleen verlengsnoeren die goedgekeurd zijn voor buitenshuis gebruik (als de stofzuiger buiten wordt gebruikt) en zorg ervoor dat ze altijd in goede staat verkeren.
- 4) Bescherm het netsnoer en let er in het bijzonder goed op dat het snoer niet wordt geplet, getrokken of wordt beschadigd door scherpe randen, scherpe uitsteeksels, bewegende onderdelen of bijtende vloeistoffen.
- 5) Gebruik geen beschadigde verlengkabels. Maak zelf geen permanente of tijdelijk reparaties aan het snoer.
- 6) Gebruik nooit een stofzuiger met een beschadigd netsnoer. Laat een nieuw snoer monteren door een geautoriseerd servicecentrum.
- 7) Verbind geen andere voorwerpen met het stopcontact, netsnoeren of verlengsnoeren.
- 8) Controleer voordat u de stofzuiger in een stopcontact steekt, dat de spanning van het stopcontact overeenkomt met de waarden aangegeven op het label naast het netsnoer.
- 9) Trek het apparaat niet aan de kabel.
- 10) Het apparaat moet altijd zijn uitgeschakeld voordat u de stekker uit het stopcontact of verlengsnoer trekt.
- 11) Wanneer u het apparaat onbeheerd laat (zelfs maar een enkel ogenblik), schakel het dan uit en trek de stekker uit het stopcontact. Dit moet u ook doen als de elektriciteit uitvalt.
- 12) Onderschat het vermogen van het apparaat niet. Sta altijd gebalanceerd en stabiel op de grond.
- 13) Houd kinderen en huisdieren uit de buurt van het apparaat. Als het apparaat aan staat moet iedereen op een veilige afstand blijven.
- 14) Dit apparaat mag niet worden gebruikt door kinderen of personen die niet bekend zijn met de werking van het apparaat, of personen die de handleiding niet hebben gelezen.
- 15) De gebruiker van het apparaat is tijdens gebruik verantwoordelijk voor de veiligheid van anderen.
- 16) De stofzuiger mag alleen worden gebruikt voor zijn bedoeld gebruik.
- 17) Voordat u onderhoud of aanpassingen uitvoert of de stofzuiger reinigt, moet u deze uitschakelen, de stekker uit het stopcontact trekken en wachten tot de motor is gestopt.
- 18) Wees voorzichtig wanneer u het apparaat controleert, reinigt of wanneer u onderhoud uitvoert, draag werkhandschoenen om uw handen te beschermen.
- 19) De beveiligingscomponenten en het netsnoer mogen nooit worden aangepast of van het apparaat worden verwijderd.
- 20) Wanneer u het apparaat gebruikt moet het stevig op een stabiel oppervlak staan, of met uw lichaam worden ondersteunt.
- 21) Werk alleen met voldoende daglicht, of met toereikende verlichting.
- 22) Wij raden aan dat u een vorm van gehoorbescherming gebruikt om uw oren te beschermen.
- 23) Als het apparaat meer dan normaal trilt, stop dan onmiddellijk de motor en zoek uit wat de oorzaak is. Trillingen geven meestal een probleem aan.
- 24) De stofzuiger moet voor elk gebruik goed worden gecontroleerd. Gebruik geen apparaat dat niet in perfecte staat verkeerd. Wanneer u een probleem ontdekt wat een gevaar kan vormen voor de gebruiker, laat de machine dan voor gebruik eerst repareren.
- 25) Voor veiligheidsredenen moet u versleten of beschadigde onderdelen vervangen. Gebruik alleen reserveonderdelen die zijn goedgekeurd door de fabrikant. Reserveonderdelen die niet van de fabrikant zijn passen wellicht niet goed en kunnen gevaarlijke situaties of letsel veroorzaken. Het netsnoer kan alleen worden vervangen door gespecialiseerde klantenservicecentra.
- 26) Gebruik de stofzuiger alleen op droge plaatsen die bescherming bieden tegen slecht weer. Gebruik het apparaat niet buiten als het regent.

- 27) Berg de stofzuiger buiten bereik van kinderen op in een droge ruimte.
- 28) Laat het netsnoer niet rondslingeren als u klaar bent; iemand kan er over struikelen.
- 29) Wees voorzichtig wanneer u erg zware reservoirs leegmaakt.
- 30) Om spontane ontbranding te voorkomen, moet u het reservoir na elk gebruik legen.
- 31) Gebruik dit apparaat niet om ontvlambare of brandbare vloeistoffen op te zuigen, zoals benzine, kopieerapparaat toner of instabiele vloeistoffen; gebruik dit apparaat ook nooit in gebieden waar deze vloeistoffen aanwezig zijn. Zuig nooit zuren op.
- 32) Zuig nooit materialen op die giftig, kanker-
verwekkend of ontvlambaar zijn, of andere
gevaarlijke materialen zoals asbest, asbeststof,
arseen, barium, beryllium, lood, bestrijdings-
middelen of andere stoffen die schadelijk zijn
voor uw gezondheid.
- 33) Wees extra voorzichtig wanneer u hout of
houtschoorsteen as, roet, cement, gips of stof van
gipsplaten opzuigt. Deze stoffen zijn zeer fijn
en kunnen daarom door het filter gaan, dit
beïnvloedt de prestaties van de motor en zorgt
ervoor dat ze in de lucht worden geblazen.
- 34) Zuig nooit iets op dat nog brand of gloeit, zoals
sigaretten, sigarettenpeuken, lucifers of warme as.
- 35) Zuig nooit zout water op, dit kan de motor kapot
maken.

VEILIGHEIDSWAARSCHUWINGEN VOOR HET OPZUIGEN VAN AS

- De stofzuiger mag niet worden gebruikt voor het scheiden van gevaarlijke stoffen.
- Zuig nooit roet op!
- Zuig alleen as op van toegestane brandstoffen!
- Zuig nooit hete of brandende voorwerpen of as op (bijv. sigaretten, kool, as, etc.). De temperatuur van het materiaal moet lager zijn dan 40°C.
- Let op! Brandgevaar als het materiaal warmer is dan 40°C.
- Let op! Materialen waarvan het aan de buitenkant lijkt dat ze zijn afgekoeld kunnen van binnen nog erg heet zijn. Dit kunt u controleren door eerst met een stuk metaal door de as te vegen, voordat u de stofzuiger gebruikt. Van koude as ziet en voelt u geen warmte meer afkomen.
- Warme asdeeltjes kunnen door de luchtstroom weer ontbranden.
- Temperaturen hoger dan 40°C kunnen de stofzuiger,

- stofzuigerslangen en het filter beschadigen.
- Let goed op dat een oven goed is afgekoeld voordat u deze stofzuigt.
- Controleer tijdens het stofzuigen regelmatig de slangen, het filter en de stofzuiger op hoge temperaturen.
- Wanneer u merkt dat de temperatuur hoger wordt, schakel de stofzuiger dan onmiddellijk uit. Trek de stekker uit het stopcontact en verwijder het filter. Verwijder de inhoud van het filter. Laat de stofzuiger onder toezicht afkoelen.
- Maak de stofzuiger na het stofzuigen helemaal leeg.

VEILIGHEIDSWAARSCHUWINGEN VOOR HET BLAZEN VAN LUCHT

- Richt de lucht alleen op het werkgebied. Nooit richting mensen of dieren.
- Risico dat voorwerpen worden weggeslingerd. Houd omstanders weg van de werkplek.
- Draag altijd een veiligheidsbril wanneer u de blaasfunctie gebruikt.

Elektrische veiligheid

Neem bij het gebruik van elektrische machines altijd de plaatselijk geldende veiligheidsvoorschriften in acht in verband met brandgevaar, gevaar voor elektrische schokken en lichamelijk letsel. Lees behalve onderstaande instructies ook de veiligheidsvoorschriften in het apart bijgevoegde veiligheidskatern door.



Controleer altijd of de spanning van de voedingstoevoer overeenkomt met de spanning op het typeplaatje.



Klasse II apparaat - Dubbel geïsoleerd - Een geaarde stekker is niet noodzakelijk.

Gebruik een aardlekbeveiliging (RCD) als niet te voorkomen is dat een powertool moet worden gebruikt in een vochtige omgeving. Gebruik van een RCD vermindert het risico van elektrische schokken.

2. TECHNISCHE INFORMATIE

Bedoeld gebruik

De stofzuiger is bedoeld voor het opzuigen van koude as in een huishoudelijke omgeving, bijvoorbeeld, het schoonmaken van een open haard, een barbecue of het opzuigen van andere asresten. De

stofzuiger is ook voorzien van een blaasfunctie. Deze functie kan worden gebruikt om stof en vuil uit garages, hofjes en opritten te blazen. Dit apparaat is niet geschikt voor commercieel of industrieel gebruik.

TECHNISCHE SPECIFICATIES

Modelnr.	VC505AC
Netspanning	220-240V~
Netfrequentie	50-60 Hz
Opgenomen vermogen	1600W
Kabellengte	3m
Beschermingscategorie	Class II
Zuigkracht	20 kPA, 1,6 m³/min
Reservoircapaciteit	ca. 20 L
Filter	HEPA
Slang	Ø35 mm
Slanglengte	1,2m
Aanbevolen filter	VC808AC
Gewicht (incl. alle accessoires)	ca. 3,3 kg

BESCHRIJVING

De nummers in de tekst verwijzen naar de diagrammen op pagina 2 -3.

1. Schakelaar Aan / Uit
2. Draaghandgreep
3. Stofpoort
4. Luchtpoort
5. Metalen sluitklem
6. Hulpstukken opslag
7. Reservoir
8. Motorbehuizing
9. Slang
10. Aluminium tube
11. HEPA-filter
12. Filterhouder

3. ASSEMBLAGE



Schakel vóór montage altijd de machine uit en verwijder de netstekker uit het stopcontact.

- Schuif het HEPA- filter (11) over de filterhouder (12), zoals wordt getoond in Afb. B.



Maak het HEPA-filter (11) regelmatig, en steeds na intensief gebruik, goed schoon, zodat de zuigkracht behouden blijft.

- Plaats de motorbehuizing (8) op het reservoir (7), zoals afgebeeld in Afb. C1.
- Zet de metalen sluitklemmen van de container goed vast op het bovenste gedeelte, zoals wordt getoond in Afb. C2.
- Sluit de metalen sluitklemmen door ze naar beneden te duwen.
- Sluit de zuigslang (9) aan.
 - Voor stofzuigen (Afb. D): verbindt de zuigslang (9) met de stofpoort (3).
 - Voor blazen (Afb. E): verbindt de zuigslang (9) met de luchtpoort (4).
- Sluit de aluminium buis (10) aan op de slang (9)

4. BEDIENING

Inschakelen (Afb. A):



Nooit stofzuigen zonder HEPA filter!

1. Rol de zuigslang (9) helemaal uit.
2. Steek de stekker in het stopcontact.
3. Druk de aan/uit-schakelaar (1) in de " ON/1" stand om de stofzuiger in te schakelen.

Uitschakelen (Afb. A):

Druk de aan/uit-schakelaar (1) in de " OFF/0" stand om de stofzuiger uit te schakelen.

Stofzuigen (Afb. B, C1, C2, D)



Maak het HEPA-filter (11) regelmatig, en steeds na intensief gebruik, goed schoon, zodat de zuigkracht behouden blijft.



Fijn stof zoals stof van cement, roet en gips zijn te fijn voor gebruik en kunnen de motorbehuizing binnendringen en de motor beschadigen.

1. Schakel het apparaat uit (1) en trek de stekker uit het stopcontact.
2. Ontgrendel de metalen sluitklem (5) en verwijder de motorbehuizing (8).
3. Verwijder voordat u gaat stofzuigen alle stof en uil uit het reservoir (7).
4. Plaats het filter. Schuif het HEPA-filter (11) voorzichtig over de filterhouder (12), zoals

wordt getoond in Afb. B.

- Plaats het bovenste gedeelte (8) op de container (7), zoals wordt getoond in Afb. C1.
- Plaats de motorbehuizing (8) weer terug en vergrendel de vergrendelingsklem (5). Afb. C2.
- Steek één uiteinde van de slang (9) in de stofpoort (3). Rol de zuigslang (9) helemaal uit. Afb. D.
- Steek de stekker in het stopcontact.
- Druk de aan/uit-schakelaar (1) in de "ON/1" stand om de stofzuiger in te schakelen.
- De machine is nu klaar voor het opzuigen van droge materialen.
- Druk de aan/uit-schakelaar (1) in de "OFF/0" stand om de stofzuiger uit te schakelen.

Blaasfunctie (Afb. C1, C2, E)



Gebruik van deze functie zonder filter is aangeraden.



Verwijder alle stof en vuil uit het reservoir (7) voordat u de blaasfunctie gebruikt.



Draag altijd een veiligheidsbril wanneer u de blaasfunctie gebruikt.



Risico dat voorwerpen worden weggeslingerd. Houd omstanders weg van de werkplek.

Uw stofzuiger is ook voorzien van een blaasfunctie. Deze functie kan worden gebruikt om stof en vuil uit garages, hofjes en opritten te blazen.

- Schakel het apparaat uit (1) en trek de stekker uit het stopcontact.
- Ontgrendel de vergrendelingsklem (5) en verwijder de motorbehuizing (7).
- Verwijder de filter (11) voordat u de blaasfunctie gebruikt en verwijder alle stof en vuil uit het reservoir (7).
- Plaats de motorbehuizing (8) weer terug en vergrendel de vergrendelingsklem (5). Afb. C1, C2.
- Steek één uiteinde van de slang (9) in de luchtpoort (4) aan de achterkant van het apparaat. Rol de zuigslang (9) helemaal uit. Afb. E.
- Steek de stekker in het stopcontact.
- Druk de aan/uit-schakelaar (1) in de "ON/1" stand om de stofzuiger in te schakelen.
- De machine is nu klaar voor gebruik om stof en vuil weg te blazen.
- Druk de aan/uit-schakelaar (1) in de "OFF/0" stand om de stofzuiger uit te schakelen.

Werkzaamheden beëindigen (Afb. F)

- Schakel het apparaat uit (1) en trek de stekker uit het stopcontact.
- Verwijder de motorbehuizing (8) en leeg het reservoir (7).
- Reinig de machine met een zachte doek.
- Maak de slang, de buis en de container los.
- Maak de verbindingstukken van de slang, de slang en de buis na gebruik schoon, en let erop dat ze niet verstopt raken.
- Berg het netsnoer en alle hulpstukken op in het apparaat zoals afgebeeld. Berg het apparaat op in een droge ruimte.

5. ONDERHOUD



Verbreek altijd eerst de aansluiting op de stroomvoorziening en voer dan pas onderhoudswerk aan de machine uit.

Reinig de machinebehuizing regelmatig met een zachte doek, bij voorkeur iedere keer na gebruik. Zorg dat de ventilatiesleuven vrij van stof en vuil zijn. Gebruik bij hardnekkig vuil een zachte doek bevochtigd met zeepwater. Gebruik geen oplosmiddelen als benzine, alcohol, ammonia, etc. Dergelijke stoffen beschadigen de kunststof onderdelen.

Filters (Afb. B)



Voor de beste prestaties raden wij aan om de filters (11) regelmatig te vervangen.

- Verwijder voorzichtig het HEPA-filter (11).
- Veeg met een kwast het stof van het HEPA-filter (11) en was het filter als het nodig is.
- Gebruik geen schoonmaakmiddelen, oplosmiddelen en scherpe voorwerpen voor het reinigen van het apparaat en van het wasbare HEPA-filter.
- Laat het filter aan de lucht drogen voordat het geïnstalleerd en opnieuw gebruikt wordt.
- Plaats het HEPA-filter terug.

MILIEU



Defecte en/of afgedankte elektrische of elektronische gereedschappen dienen ter verwerking te worden aangeboden aan een daarvoor verantwoordelijke instantie.

Uitsluitend voor EG-landen

Werp elektrisch gereedschap niet weg bij het huisvuil. Conform de Europese Richtlijn 2012/19/EG voor Afdankte Elektrische en Elektronische Apparatuur en de implementatie ervan in nationaal recht moet niet langer te gebruiken elektrisch gereedschap gescheiden worden verzameld en op een milieuvriendelijke wijze worden verwerkt.

WARRANTY

VONROC producten zijn ontworpen volgens de hoogste kwaliteitsstandaarden en gegarandeerd vrij van defecten, zowel materieel als fabrieksfouten, tijdens de wettelijk vastgestelde garantieperiode vanaf de eerste aankoopdatum. Mocht het product tijdens deze periode gebreken vertonen veroorzaakt door defecte materialen en/of fabrieksfouten, neem dan rechtstreeks contact op met VONROC.

De volgende situaties vallen niet onder de garantie:

- Er zijn reparaties of aanpassingen aan de machine uitgevoerd, of er is een poging daartoe ondernomen, door een nietgeautoriseerd servicecentrum.
- Normale slijtage.
- De machine is misbruikt, verkeerd gebruikt of slecht onderhouden.
- Er zijn niet-originele reserveonderdelen gebruikt

Dit vormt de enige garantie opgesteld door het bedrijf zowel expliciet als impliciet. Er bestaan geen andere garanties expliciet of impliciet welke verder gaan dan deze garantie, inclusief impliciete garanties van verkoopbaarheid en geschiktheid voor bepaalde doeleinden. In geen enkel geval kan VONROC aansprakelijk worden gesteld voor incidentele schade of gevolgschade. Reparaties van dealers zijn gelimiteerd tot de reparatie of vervanging van defecte producten of onderdelen.

Het product en de gebruikershandleiding zijn onderhevig aan wijzigingen. Specificaties kunnen zonder opgaaf van redenen worden gewijzigd.

1. CONSIGNES DE SÉCURITÉ

Consultez les avertissements de sécurité, les avertissements de sécurité additionnels ainsi que les instructions fournis ici. Le non respect des avertissements de sécurité et des instructions peut occasionner une électrocution, un incendie ou des blessures graves. Conservez les avertissements de sécurité et les instructions pour référence future.

Les symboles suivants sont utilisés dans le manuel d'utilisation ou apposés sur le produit:



Lisez le manuel d'utilisation.



Signale un risque de blessures, un danger mortel ou un risque d'endommagement de l'outil en cas de non-respect des instructions de ce manuel.



Risque d'électrocution.



En cas d'endommagement du câble secteur et durant le nettoyage et l'entretien, débranchez immédiatement la fiche de la prise secteur.



Machine de classe II - Double isolation - Vous n'avez pas besoin de prise avec mise à la terre.



Pour les cendres froides uniquement ! Un risque d'incendie est possible si la matière aspirée dépasse une température de 40°C (104°F) !



Si la température des substances dépasse 40°C, un risque d'incendie est possible.



Ne jetez pas le produit dans des conteneurs qui ne sont pas prévus à cet effet.



Le produit est conforme aux normes de sécurité applicables des directives européennes.

REMARQUES LIÉES À LA SÉCURITÉ
PEUT ÊTRE UTILISÉ PAR DES ENFANTS ÂGÉS DE 8 ANS ET PLUS ET PAR DES PERSONNES AUX CAPACITÉS PHYSIQUES, SENSORIELLES OU MENTALES RÉDUITES,

OU QUI MANQUENT D'EXPÉRIENCE ET DE CONNAISSANCE, À CONDITION QU'ILS SOIENT SUPERVISÉS OU QU'ILS AIENT ÉTÉ FORMÉS SUR LA FAÇON SÛRE D'UTILISER L'APPAREIL ET QU'ILS COMPRENNENT LES RISQUES ENCOURUS. LES ENFANTS NE DOIVENT PAS JOUER AVEC L'APPAREIL. LE NETTOYAGE ET LES OPÉRATIONS DE MAINTENANCE À RÉALISER PAR L'UTILISATEUR NE DOIVENT PAS ÊTRE EXÉCUTÉS PAR DES ENFANTS SANS SURVEILLANCE. SI LE CÂBLE D'ALIMENTATION EST ENDOMMAGÉ, IL DOIT ÊTRE REMPLACÉ PAR LE FABRICANT, L'UN DE SES PRESTATAIRES DE SERVICES OU TOUTE AUTRE PERSONNE DISPOSANT DES MÊMES QUALIFICATIONS AFIN D'ÉVITER TOUT RISQUE. LA PRISE DOIT ÊTRE DÉBRANCHÉE DE LA PRISE DE COURANT AVANT DE PROCÉDER AU NETTOYAGE OU À LA MAINTENANCE DE L'APPAREIL.

- 1) Maintenez la zone de travail propre: Les zones de travail et les établis encombrés sont propices aux blessures.
- 2) L'aspirateur doit être assemblé correctement avant l'utilisation.
- 3) N'utilisez que des rallonges électriques homologuées pour l'extérieur (lorsque l'aspirateur est utilisé à l'extérieur) et veillez à ce qu'elles restent en parfait état.
- 4) Protégez les câbles électriques et veillez, en particulier, à ne pas les écraser et à ne pas tirer dessus, à ce qu'ils ne soient pas endommagés par des pièces ou des bords tranchants ou encore par des pièces mobiles ou à ce qu'ils ne soient pas endommagés par des liquides corrosifs.
- 5) N'utilisez pas une rallonge qui aurait été endommagée. N'effectuez aucune réparation temporaire ou permanente sur le câble lui-même.
- 6) N'utilisez pas un aspirateur dont le cordon électrique est endommagé. Faites installer un nouveau câble par un prestataire de services agréé.
- 7) Ne fixez rien d'autre sur la prise, les cordons électriques ou les rallonges.
- 8) Avant de brancher votre aspirateur à la prise de courant, assurez-vous que la tension et les exigences liées à la prise correspondent, telles que mentionnées sur l'étiquette présente près du cordon.
- 9) Ne tirez pas l'appareil par son câble.
- 10) Votre machine doit toujours être éteinte avant de la débrancher de la prise de courant ou de la rallonge.
- 11) Éteignez l'appareil et débranchez-le de la prise électrique avant de le laisser sans surveillance (même pour un court instant). Faites de même en cas de perte de puissance.
- 12) Ne sous-estimez pas la puissance de l'outil. Gardez toujours une posture stable et équilibrée.
- 13) Gardez les enfants et les animaux à l'écart de la machine. Une distance de sécurité doit être conservée avec toutes les personnes à proximité, lorsque la machine est en marche.
- 14) L'appareil ne doit pas être utilisé par les enfants ou les personnes qui ne sont pas familiarisés avec l'appareil ou qui n'ont pas lu cette notice d'utilisation.
- 15) L'utilisateur de l'appareil est responsable de la sécurité des autres personnes pendant l'utilisation.
- 16) L'aspirateur ne doit être utilisé qu'aux fins pour lesquelles il a été conçu.
- 17) Avant de réaliser des opérations de maintenance, de réglage ou de nettoyage sur l'aspirateur, éteignez-le, débranchez-le de la prise électrique et attendez que le moteur soit arrêté.
- 18) Soyez particulièrement vigilant pendant les vérifications, le nettoyage et la maintenance de l'appareil et portez des gants de travail épais pour protéger vos mains.
- 19) Les dispositifs de sécurité tout comme les cordons électriques ne doivent sous aucun prétexte être modifiés ou retirés de la machine.
- 20) La machine doit être gardée droite sur une surface stable ou tenue pendant son utilisation.
- 21) Ne travaillez que de jour ou si vous disposez d'un éclairage artificiel approprié.
- 22) Nous vous recommandons d'utiliser des protections auditives pour protéger vos oreilles.
- 23) Si la machine se met à vibrer anormalement, arrêtez le moteur et recherchez immédiatement la cause de ces vibrations. Les vibrations sont toujours un signe de problème.
- 24) L'aspirateur doit être vérifié correctement avant chaque utilisation. N'utilisez pas une machine qui ne serait pas en parfait état. Si vous détectez un problème qui pourrait constituer un danger pour l'utilisateur, faites réparer la machine avant de l'utiliser.
- 25) Pour des raisons évidentes de sécurité, remplacez toutes les pièces usées ou endommagées.

N'utilisez que des pièces détachées approuvées par le fabricant. Les pièces provenant d'autres sources que le fabricant lui-même peuvent ne pas être parfaitement adaptées, elles peuvent être dangereuses et entraîner des blessures.

Le cordon électrique ne peut être remplacé que dans un centre d'assistance client spécialisé.

- 26) N'utilisez l'aspirateur que dans des zones sèches et protégées des intempéries. Ne l'utilisez pas à l'extérieur s'il pleut.
- 27) Rangez l'appareil dans un endroit sec, hors de portée des enfants.
- 28) Ne laissez pas le cordon électrique traîner une fois le nettoyage terminé. Il pourrait faire trébucher des personnes.
- 29) Soyez prudent pour vider le réservoir, surtout s'il est lourd.
- 30) Afin d'éviter tout risque de combustion spontanée, videz le réservoir après chaque utilisation.
- 31) N'utilisez pas cette machine pour aspirer des matières inflammables ou des liquides combustibles, comme de l'essence, du toner ou des substances volatiles et n'utilisez pas la machine dans les lieux où ces matières sont présentes. N'aspirez pas d'acides.
- 32) Veillez à n'aspirer aucune matière toxique, cancérigène, combustible ou toute autre matière dangereuse, comme l'amiante, la poussière d'amiante, l'arsenic, le baryum, le béryllium, le plomb, les pesticides ou toute autre substance dangereuse pour votre santé.
- 33) Soyez extrêmement prudent en aspirant les cendres de bois et de charbon, la suie, le ciment, le plâtre ou la poussière de panneau de plâtre. Ces particules sont extrêmement fines.
- 34) N'aspirez aucune substance incandescente ou en train de se consumer comme des cigarettes, des mégots, des allumettes ou des cendres chaudes.
- 35) N'aspirez jamais d'eau salée, elle pourrait détruire le moteur.

AVERTISSEMENTS LIÉS À LA SÉCURITÉ PROPRES À L'ASPIRATION DE CENDRES

- a) L'aspirateur ne doit pas servir à séparer des substances dangereuses.
- b) N'aspirez pas de suie !
- c) N'aspirez que les cendres des matières autorisées !
- d) N'aspirez aucun objet chaud ou brûlant ni aucune braise (ex : cigarettes, charbons, cendres, etc.). La température ne doit pas dépassée 40°C.

- e) Attention ! Si la température des substances dépasse 40°C, un risque d'incendie est possible.
- f) Attention ! Les matières qui semblent avoir refroidi à l'extérieur peuvent être toujours très chaudes à l'intérieur. Il est possible de s'en apercevoir en remuant les cendres avec un objet métallique avant d'utiliser l'appareil. Plus aucun signe de chaleur ne doit être perceptible si les cendres sont froides.
- g) Les particules de cendres chaudes peuvent s'enflammer de nouveau dans l'air.
- h) Les températures dépassant 40°C peuvent endommager l'aspirateur, les tubes et le filtre.
- i) Veillez à que le four soit froid avant d'aspirer à l'intérieur.
- j) Contrôlez régulièrement la température des tubes, du filtre et de l'aspirateur pendant l'aspiration.
- k) Si vous vous apercevez que la température grimpe, éteignez immédiatement l'aspirateur. Débranchez l'aspirateur et retirez le filtre. Retirez les résidus du filtre. Laissez refroidir l'aspirateur en le surveillant.
- l) Videz complètement l'aspirateur après l'aspiration.

AVERTISSEMENTS LIÉS À LA SÉCURITÉ PROPRES AUX OPÉRATIONS DE SOUFFLAGE

- a) Ne dirigez l'échappement d'air que vers la zone d'intervention. Jamais vers d'autres personnes ou des animaux.
- b) Risque de projection d'objets. Éloignez les personnes à proximité de la zone d'intervention.
- c) Portez systématiquement des lunettes de protection pour utiliser la fonction Soufflage.

Sécurité électrique

Lorsque vous utilisez des machines électriques, veuillez toujours observer les consignes de sécurité locales en vigueur afin de réduire les risques d'incendie, de décharge électrique et de blessure. En plus des instructions ci-dessous, lisez entièrement les consignes de sécurité fournies avec le produit.



Vérifiez que la tension d'alimentation correspond à la tension nominale indiquée sur la plaque signalétique.



Machine de classe II - Double isolation - Vous n'avez pas besoin de prise avec mise à la terre.

Si vous êtes contraint d'utiliser un outil électrique dans un environnement humide, utilisez une alimentation protégée par un dispositif à courant résiduel (RCD). L'utilisation d'un RCD réduit le risque de décharge électrique.

2. INFORMATIONS RELATIVES À LA MACHINE

Utilisation prévue

L'aspirateur est destiné à aspirer les cendres froides des cheminées, des barbecues ou autres, dans le cadre domestique. L'aspirateur dispose d'une fonction Soufflage. Elle peut servir pour souffler les poussières et les débris hors des garages, des patios ou des allées. Cet appareil n'est pas destiné à un usage commercial ou industriel.

SPÉCIFICATIONS TECHNIQUES

N° de modèle	VC505AC
Tension de secteur	220-240V~
Fréquence de secteur	50-60 Hz
Entrée d'alimentation	1600W
Longueur de câble	3m
Classe de protection	Class II
Puissance d'aspiration	20 kPA, 1,6 m ³ /min
Capacité du réservoir	env. 20 L
Filtre	HEPA
Tube	Ø35mm
Longueur de tuyau	1,2m
Filtre recommandé	VC808AC
Poids (avec tous les accessoires)	env. 3,3 kg

DESCRIPTION

Les numéros dans le texte se rapportent aux schémas des page 2-3.

1. Interrupteur marche/arrêt
2. Poignée de transport
3. Prise Aspiration
4. Prise Soufflage
5. Attache métallique
6. Rangement pour les brosses
7. Réservoir
8. Section haute
9. Tuyau
10. Tube en aluminium

11. Filtre HEPA
12. Porte-filtre

3. MONTAGE



Avant le montage, mettez toujours la machine hors tension et débranchez la fiche de la prise secteur.

- Glissez le filtre HEPA (11) par-dessus le porte-filtre (12), comme illustré par la Fig. B.



Nettoyez régulièrement le filtre HEPA (11) et après chaque utilisation intensive afin de conserver une bonne puissance d'aspiration.

- Installez la section haute (8) sur le réservoir (7), comme illustré par la figure C1.
- Fixez les attaches métalliques du bac sur la partie haute, comme illustré par la Fig. C2.
- Refermez les attaches métalliques en les poussant vers le bas.
- Raccordez le tuyau d'aspiration (9).
 - Pour aspirer (Fig. D), raccordez le tuyau d'aspiration (9) à la prise Aspiration (3).
 - Pour souffler (Fig. E), raccordez le tuyau d'aspiration (9) à la prise Soufflage (4).
- Fixez le tube en aluminium (10) sur le tuyau (9).

4. FONCTIONNEMENT

Mettre l'appareil en marche (Fig. A) :



N'aspirez rien si le filtre HEPA n'est pas installé !

1. Dépliez complètement le tuyau d'aspiration (9).
2. Branchez la prise électrique.
3. Enfoncez l'interrupteur (1) sur la position "Marche/1" pour allumer l'aspirateur.

Éteindre l'appareil (Fig. A) :

Enfoncez l'interrupteur (1) sur la position "Arrêt/0" pour éteindre l'aspirateur.

Aspirer (Fig. B, C1, C2, D)



Nettoyez régulièrement le filtre HEPA (11) et après chaque utilisation intensive afin de conserver une bonne puissance d'aspiration.



Les poussières fines, comme les poussières de ciment, la suie ou le plâtre sont trop fines, elles risquent de pénétrer dans le moteur et de l'endommager.

1. Éteignez (1) la machine et débranchez la prise électrique du secteur.
2. Déverrouillez les attaches métallique (5) et retirez la section haute (8).
3. Avant d'aspirer, retirez tous les débris du réservoir (7).
4. Installez le filtre. Glissez le filtre HEPA (11) avec précaution par-dessus le porte-filtre (12), comme illustré par la Fig. B.
5. Installez la section haute (8) sur le bac (7), comme illustré par la Fig. C1.
6. Réinstallez la section haute (8) et verrouillez les attaches (5). Fig. C2.
7. Insérez une extrémité du tuyau (9) dans la prise Aspiration (3). Dépliez complètement le tuyau d'aspiration (9). Fig. D.
8. Branchez la prise électrique.
9. Enfoncez l'interrupteur (1) sur la position "Marche/1" pour allumer l'aspirateur.
10. La machine est alors prête à aspirer des éléments secs.
11. Enfoncez l'interrupteur (1) sur la position "Arrêt/0" pour éteindre l'aspirateur.

Fonction Soufflage (Fig. C1, C2, E)



L'utilisation sans filtre est recommandée.



Retirez tous les débris du réservoir (7) avant d'utiliser la fonction Soufflage.



Portez systématiquement des lunettes de protection pour utiliser la fonction Soufflage.



Risque de projection d'objets. Éloignez les personnes à proximité de la zone d'intervention.

Votre aspirateur dispose d'une fonction Soufflage. Elle peut servir pour souffler les poussières et les débris hors des garages, des patios ou des allées.

1. Éteignez (1) la machine et débranchez la prise électrique du secteur.
2. Déverrouillez les attaches (5) et retirez la section haute (8).
3. Avant le soufflage, retirez le filtre (11) et retirez

- tous les débris du réservoir (7).
4. Réinstallez la section haute (8) et verrouillez les attaches (5). Fig. C1, C2.
5. Insérez une extrémité du tuyau (9) dans la prise Soufflage (4) à l'arrière de la machine. Dépliez complètement le tuyau d'aspiration (9). Fig. E.
6. Branchez la prise électrique.
7. Enfoncez l'interrupteur (1) sur la position "Marche/1" pour allumer l'aspirateur.
8. La machine est alors prête à souffler la poussière ou les débris.
9. Enfoncez l'interrupteur (1) sur la position "Arrêt/0" pour éteindre l'aspirateur.

Après l'utilisation (Fig. F)

1. Éteignez (1) la machine et débranchez la prise électrique du secteur.
2. Retirez la section haute (8) et videz le réservoir (7).
3. Nettoyez la machine à l'aide d'un chiffon doux.
4. Retirez le tuyau, le tube et le bac.
5. Nettoyez les raccords du tuyau, le tuyau et le tube après l'utilisation et veillez à ce qu'ils ne soient pas obstrués.
6. Rangez le câble électrique et les accessoires de la machine, comme illustré. Rangez l'appareil dans un endroit sec.

5. ENTRETIEN



Débranchez toujours la machine du secteur avant d'effectuer toute opération de maintenance.

Nettoyez le corps de la machine régulièrement au moyen d'un chiffon doux, de préférence après chaque utilisation. Vérifiez que les ouvertures d'aération ne sont pas obstruées ni sales. Utilisez un chiffon doux légèrement humidifié avec de la mousse de savon pour nettoyer les taches persistantes. N'utilisez pas de produits de nettoyage tels que l'essence, l'alcool, l'ammoniac, etc.; ces produits peuvent endommager les parties synthétiques.

Filtres (Fig. B)



Pour que les performances restent optimales, il est recommandé de remplacer les filtres (11) régulièrement, en fonction du degré d'utilisation.

1. Retirez le filtre HEPA (11) avec précaution.
2. Retirez la poussière sur le filtre HEPA (11) à l'aide d'une brosse et si nécessaire, lavez-le.
3. N'utilisez pas de produits détergents, de solvants ou d'objets pointus pour nettoyer l'appareil et le filtre HEPA.
4. Laissez complètement sécher le filtre avant de le réinstaller et de le réutiliser.
5. Réinstallez le filtre.

les garanties marchandes ou d'adaptation à des fins particulières. En aucun cas VONROC ne sera tenu responsable de dommages accidentels ou consécutifs. Les solutions proposées par les revendeurs devront se limiter à la réparation ou le remplacement des éléments ou pièces non conformes.

Le produit et le manuel d'utilisation sont sujets à modifications. Les spécifications peuvent changer sans préavis.

ENVIRONNEMENT



Les équipements électroniques ou électriques défectueux ou destinés à être mis au rebut doivent être déposés aux points de recyclage appropriés.

Uniquement pour les pays de l'UE

Ne jetez pas les outils électriques avec les déchets domestiques. Selon la Directive européenne 2012/19/ CE relative aux déchets d'équipements électriques et électroniques et sa mise en oeuvre dans le droit national, les outils électriques hors d'usage doivent être collectés séparément et mis au rebut de manière écologique.

GARANTIE

Les produits VONROC sont développés aux plus hauts standards de qualité et ils sont garantis contre les défauts de pièces et de main d'oeuvre pendant la durée légale stipulée à partir de la date d'achat d'origine du produit. En cas d'une quelconque panne du produit pendant cette durée qui serait due à un défaut matériel et/ou de main d'oeuvre, contactez directement VONROC.

Les circonstances suivantes ne sont pas prises en charge par la garantie:

- Des réparations ou altérations ont été effectuées ou tentées sur la machine par un centre de réparation non agréé.
- L'usure normale.
- L'outil a été maltraité, mal utilisé ou mal entretenu.
- Des pièces détachées non d'origine ont été utilisées

Ceci constitue l'unique garantie accordée par la société explicitement ou implicitement. Il n'existe aucune autre garantie, explicite ou implicite, qui peut s'étendre au delà du contenu ici présent, y compris

1. INSTRUCCIONES DE SEGURIDAD

Lea las advertencias de seguridad, las advertencias de seguridad adicionales y las instrucciones adjuntas. De no respetarse las advertencias de seguridad y las instrucciones, podrían producirse descargas eléctricas, incendios y/o lesiones graves. Conserve las advertencias de seguridad y las instrucciones para su posterior consulta.

Los siguientes símbolos se utilizan en el manual de usuario o en el producto:



Lee el manual del usuario.



Denota riesgo de lesiones personales, pérdida de vida o daños a la herramienta en caso de incumplimiento de las instrucciones del presente manual.



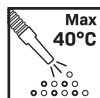
Riesgo de choque eléctrico.



Saque inmediatamente el enchufe de alimentación de red si el cable de red está dañado y cuando realice operaciones de limpieza y mantenimiento.



Máquina de clase II - Doble aislamiento - No necesita enchufe con puesta a tierra.



*¡Exclusivamente para cenizas frías!
¡Se producirá un riesgo de incendio si el material aspirado supera una temperatura de 40 °C (104 °F)!*



Si la temperatura del material supera los 40 °C, se producirá un riesgo de incendio. No tire el producto en contenedores no apropiados.



No deseche el producto en contenedores no adecuados.



El producto es conforme con las normas de seguridad vigentes en las Directivas Europeas.

NOTAS RELATIVAS A LA SEGURIDAD
ESTE APARATO PUEDE SER UTILIZADO POR NIÑOS A PARTIR DE 8 AÑOS DE EDAD Y POR PERSONAS CON CAPACIDADES

FÍSICAS, SENSORIALES O MENTALES REDUCIDAS O QUE CAREZCAN DE EXPERIENCIA Y CONOCIMIENTOS, SI ESTÁN SUPERVISADAS O CAPACITADAS SOBRE EL USO DEL APARATO DE MODO SEGURO Y SI COMPRENDEN LOS PELIGROS QUE SUPONE. LOS NIÑOS NO DEBEN JUGAR CON EL APARATO. LA LIMPIEZA Y EL MANTENIMIENTO DE USUARIO NO DEBEN SER EFECTUADOS POR NIÑOS, SIN SUPERVISIÓN. SI EL CABLE DE ALIMENTACIÓN SE DAÑA, DEBE SER SUSTITUIDO POR EL FABRICANTE, UN TALLER DE REPARACIÓN AUTORIZADO U OTRAS PERSONAS CON UNA CUALIFICACIÓN SIMILAR, CON EL FIN DE EVITAR PELIGROS. ANTES DE LIMPIAR O REALIZAR TRABAJOS DE MANTENIMIENTO EN EL APARATO, SE DEBE SACAR EL ENCHUFE DE LA TOMA DE CORRIENTE.

- 1) Mantenga limpia el área de trabajo: las áreas y los bancos de trabajo desordenados pueden dar lugar a lesiones.
- 2) La aspiradora debe haberse montado correctamente antes de usarla.
- 3) Utilice únicamente cables alargadores aprobados para uso en exterior (cuando la aspiradora se utilice en el exterior) y asegúrese de que siempre se encuentren en buen estado.
- 4) Proteja los cables eléctricos y, en particular, asegúrese de que no se aplasten ni estiren, ni sufran daños por bordes o piezas afiladas o móviles, o por líquidos corrosivos.
- 5) No utilice cables alargadores dañados. No haga reparaciones permanentes ni temporales en los cables usted mismo.
- 6) No utilice una aspiradora que tenga el cable eléctrico dañado. Acuda a un taller autorizado para que se instale un nuevo cable.
- 7) No conecte ningún otro elemento a la toma de corriente, los cables eléctricos o el cable alargador.
- 8) Antes de enchufar la aspiradora a la toma de corriente, asegúrese de que la tensión y la potencia necesarias coincidan con las indicaciones que aparecen en la etiqueta que se encuentra junto al cable.
- 9) No tire del dispositivo por el cable.
- 10) La máquina siempre debe estar desconectada antes de desenchufarla de la toma eléctrica o del cable alargador.

- 11) Antes de dejar el dispositivo sin supervisión (aunque sea por muy poco tiempo), apáguelo y desenchúfelo de la toma de corriente. También debe hacer esto si se produce un corte eléctrico.
- 12) No subestime su potencia. Mantenga siempre una posición equilibrada y estable.
- 13) Mantenga a los niños y las mascotas alejados de la máquina. Cuando la máquina esté en marcha, todos deben mantenerse a una distancia segura.
- 14) El dispositivo no debe ser utilizado por niños ni personas que no estén familiarizadas con él o que no hayan leído este manual de instrucciones.
- 15) El usuario del dispositivo es responsable de la seguridad de otras personas mientras lo esté utilizando.
- 16) La aspiradora se debe utilizar exclusivamente con los fines previstos.
- 17) Antes de realizar cualquier trabajo de mantenimiento, ajuste o limpieza en la aspiradora, apáguela, desenchúfela de la toma de corriente y espere a que el motor se detenga.
- 18) Tenga mucho cuidado al comprobar o realizar trabajos de limpieza o mantenimiento en el dispositivo, y use guantes de trabajo gruesos para protegerse las manos.
- 19) Los dispositivos de seguridad y los cables eléctricos no se deben modificar ni retirar de la máquina.
- 20) Cuando utilice la máquina, debe sostenerla sobre una superficie estable o con el cuerpo.
- 21) Trabaje únicamente a la luz del día o con luz artificial adecuada.
- 22) Recomendamos que se utilice algún tipo de protección auditiva.
- 23) Si la máquina produce vibraciones anómalas, detenga el motor e investigue la causa inmediatamente. Por lo general, las vibraciones indican que hay un problema.
- 24) La aspiradora debe comprobarse correctamente antes de cada uso. No utilice una máquina que no se encuentre en perfecto estado. Si observa algún problema que pudiera generar peligro para el usuario, lleve la máquina a reparar antes de usarla.
- 25) Por motivos de seguridad, cambie las piezas desgastadas o dañadas. Utilice exclusivamente piezas de repuesto aprobadas por el fabricante. Las piezas no procedentes del fabricante podrían no ajustarse correctamente o podrían resultar peligrosas o provocar lesiones. Únicamente los servicios técnicos especializados en atención al cliente deben cambiar el cable de alimentación.
- 26) Utilice la aspiradora únicamente en zonas secas y que estén resguardadas de las inclemencias meteorológicas. Si llueve, no debe utilizarla en el exterior.
- 27) Guarde la aspiradora en un lugar seco, fuera del alcance de los niños.
- 28) No deje el cable de alimentación tirado una vez haya terminado de limpiar, ya que alguien podría tropezar con él.
- 29) Tenga cuidado al vaciar depósitos muy pesados.
- 30) Para evitar la combustión espontánea, vacíe el depósito después de cada uso.
- 31) No utilice esta máquina para aspirar líquidos inflamables o combustibles, como gasolina, polvo de fotocopiadora o sustancias volátiles; y no utilice la máquina en lugares donde se encuentren esos líquidos. No aspire ácidos.
- 32) No aspire materiales que sean tóxicos, cancerígenos, combustibles o peligrosos de cualquier otra manera; por ejemplo, amianto, polvo de amianto, arsénico, bario, berilio, plomo, pesticidas u otras sustancias peligrosas para la salud.
- 33) Actúe con precaución extrema al aspirar cenizas de madera o carbón, hollín, cemento, yeso o polvo de escayola. Esas partículas son muy finas y pueden atravesar los filtros y afectar al funcionamiento del motor o salir al aire.
- 34) No aspire nada que esté ardiendo o tenga brasas, como cigarrillos, colillas, cerillas o cenizas calientes.
- 35) No debe aspirar agua salada, porque podría destruir el motor.

ADVERTENCIAS DE SEGURIDAD ESPECÍFICAS PARA LA ASPIRACIÓN DE CENIZAS

- a) La aspiradora no se debe utilizar para separar sustancias peligrosas.
- b) ¡No aspire hollín!
- c) ¡Únicamente debe aspirar cenizas de combustibles permitidos!
- d) No aspire objetos ni brasas calientes o que estén ardiendo (p. ej., cigarrillos, carbón, cenizas, etc.). La temperatura del material debe ser inferior a 40 °C.
- e) ¡Precaución! Si la temperatura del material supera los 40 °C, se producirá un riesgo de incendio.
- f) ¡Atención! Un material que parezca haberse enfriado externamente todavía podría estar muy

caliente en su interior. Esto se puede determinar moviendo las cenizas con una herramienta metálica antes de usar el dispositivo. Si las cenizas están frías, no se notará calor que salga de ellas.

- g) Las partículas de cenizas calientes pueden volver a arder con una corriente de aire.
- h) Las temperaturas superiores a 40 °C pueden dañar la aspiradora, las mangueras y el filtro.
- i) Si va a limpiar hornos con la aspiradora, asegúrese de que el horno esté frío antes de limpiarlo.
- j) Compruebe continuamente si los tubos, el filtro y la aspiradora presentan unas temperaturas excesivas al aspirar.
- k) Si nota un aumento de temperatura, apague la aspiradora inmediatamente. Desconecte la aspiradora de la corriente y quite el filtro. Retire el material del filtro. Deje que la aspiradora se enfríe, con supervisión.
- l) Vacíe por completo la aspiradora después de aspirar.

ADVERTENCIAS DE SEGURIDAD ESPECÍFICAS PARA EL SOPLADO

- a) Oriente la descarga de aire únicamente a la zona de trabajo, nunca a personas ni animales.
- b) Riesgo de proyección de objetos. Mantenga a las personas ajenas a la máquina alejadas de la zona de trabajo.
- c) Utilice siempre gafas de seguridad antes de utilizar la función de soplado.

Seguridad eléctrica

Cuando use máquinas eléctricas observe siempre las normas de seguridad aplicables en su país para reducir el riesgo de incendios, descargas eléctricas y lesiones personales. Lea las siguientes instrucciones de seguridad y las instrucciones de seguridad adjuntas.



Compruebe siempre que la tensión de la fuente de energía corresponda con la tensión de la etiqueta de la placa de datos.



Máquina de clase II - Doble aislamiento - No necesita enchufe con puesta a tierra.

Si no se puede evitar el uso de la herramienta eléctrica en un lugar húmedo, use suministro protegido mediante dispositivo diferencial residual (DDR). El uso de un DDR reduce el riesgo de choque eléctrico.

2. INFORMACIÓN DE LA MÁQUINA

Uso previsto

La aspiradora ha sido concebida para aspirar cenizas domésticas frías, por ejemplo, para limpiar una chimenea, una barbacoa u otros residuos de cenizas. La aspiradora está equipada con una función de soplado. Se puede utilizar para soplar el polvo y los residuos para sacarlos de garajes, patios o caminos de acceso. El dispositivo no ha sido diseñado para uso comercial o industrial.

ESPECIFICACIONES TÉCNICAS

Modelo n.º	VC505AC
Alimentación de red	220-240V~
Frecuencia de alimentación	50-60 Hz
Potencia de entrada	1600W
Longitud del cable	3 m
Categoría de protección	Class II
Fuerza de aspiración	20 kPA, 1,6 m³/min
Capacidad aproximada del contenedor	20 L aprox.
Filtro	HEPA
Sistema de mangueras	Ø35 mm
Longitud de la manguera	1,2 m
Filtro recomendado	VC808AC
Peso (incl. todos los accesorios)	aprox. 3,3 kg

DESCRIPCIÓN

Los números del texto se refieren a los diagramas en la página 2-3.

1. Interruptor de Encendido/Apagado
2. Asa de transporte
3. Puerto de aspiración
4. Puerto de soplado
5. Abrazadera metálica de sujeción
6. Almacenamiento de boquillas
7. Contenedor
8. Parte superior
9. Manguera
10. Tubo de aluminio
11. Filtro HEPA
12. Portafiltro

3. MONTAJE



Antes del montaje, apague siempre la máquina y extraiga el enchufe de la red de alimentación.



Limpie el filtro HEPA (11) periódicamente y después de cada uso intenso para mantener la potencia de aspiración.

- Deslice el filtro HEPA (11) por el portafiltro (12) como se muestra en la Fig. B.
- Coloque la parte superior (8) en el contenedor (7), como se indica en la Fig. C1.
- Fije las abrazaderas metálicas de sujeción del contenedor en la parte superior, como se muestra en la Fig. C2.
- Cierre las abrazaderas metálicas de sujeción empujándolas hacia abajo.
- Conecte la manguera de aspiración (9).
 - Para aspirar (fig. D), conecte la manguera de aspiración (9) al puerto de aspiración (3).
 - Para soplar (fig. E), conecte la manguera de aspiración (9) al puerto de soplado (4).
- Conecte el tubo de aluminio (10) a la manguera (9).

4. FUNCIONAMIENTO

Encendido (fig. A):



¡No aspire sin filtro HEPA!

1. Desenrolle por completo la manguera de aspiración (9).
2. Introduzca el enchufe en la toma de corriente.
3. Ponga el interruptor de encendido (1) en la posición «ON/1» para poner en marcha la aspiradora.

Apagado (fig. A):

Ponga el interruptor de encendido (1) en la posición «OFF/0» para desconectar la aspiradora.

Aspirar (fig. B, C1, C2, D)



Limpie el filtro HEPA (11) periódicamente y después de cada uso intenso para mantener la potencia de aspiración.



Las partículas finas de polvo, como el polvo de cemento, hollín y yeso, son demasiado finas para utilizar y podrían introducirse en el motor y dañarlo.

1. Apague (1) la máquina y extraiga el enchufe de la red de alimentación.
2. Abra la abrazadera metálica de sujeción (5) y quite la parte superior (8).
3. Antes de aspirar, retire toda la suciedad y los restos del contenedor (7).
4. Instale el filtro. Deslice con cuidado el filtro HEPA (11) por el portafiltro (12) como se muestra en la Fig. B.
5. Coloque la parte superior (8) en el contenedor (7), como se muestra en la Fig. C1.
6. Vuelva a instalar la parte superior (8) y cierre la abrazadera de bloqueo (5). Fig. C2.
7. Inserte un extremo de la manguera (9) en el puerto de aspiración (3). Desenrolle por completo la manguera de aspiración (9). Fig. D.
8. Introduzca el enchufe en la toma de corriente.
9. Ponga el interruptor de encendido (1) en la posición «ON/1» para poner en marcha la aspiradora.
10. La máquina estará lista para aspirar en seco.
11. Ponga el interruptor de encendido (1) en la posición «OFF/0» para desconectar la aspiradora.

Función de soplado (fig. C1, C2, E)



No se recomienda utilizar el aparato sin filtro.



Antes de utilizar la función de soplado, retire toda la suciedad y los restos del contenedor (7).



Utilice siempre gafas de seguridad antes de utilizar la función de soplado.



Peligro de proyección de objetos. Mantenga a las personas ajenas a la máquina alejadas de la zona de trabajo.

La aspiradora está equipada con una función de soplado. Se puede utilizar para soplar el polvo y los residuos para sacarlos de garajes, patios o caminos de acceso.

1. Apague (1) la máquina y extraiga el enchufe de la red de alimentación.
2. Abra la abrazadera de bloqueo (5) y quite la

- parte superior (8).
3. Antes de soplar, quite el filtro (11), y retire toda la suciedad y los restos del contenedor (7).
 4. Vuelva a instalar la parte superior (8) y cierre la abrazadera de bloqueo (5). Fig. C1, C2.
 5. Inserte un extremo de la manguera (9) en el puerto de soplado (4), en la parte de atrás de la máquina. Desenrolle por completo la manguera de aspiración (9). Fig. E.
 6. Introduzca el enchufe en la toma de corriente.
 7. Ponga el interruptor de encendido (1) en la posición «ON/1» para poner en marcha la aspiradora.
 8. La máquina estará lista para soplar polvo y restos.
 9. Ponga el interruptor de encendido (1) en la posición «OFF/0» para desconectar la aspiradora.

Fin del uso (fig. F)

1. Apague (1) la máquina y saque el enchufe de la red de alimentación.
2. Quite la parte superior (10) y vacíe el contenedor (9).
3. Limpie la máquina con un paño suave.
4. Desconecte la manguera, el tubo y el contenedor.
5. Limpie los conectores de la manguera, la manguera y el tubo después del uso, y manténgalos desbloqueados.
6. Guarde el cable de alimentación y los accesorios en la máquina, tal como se indica. Guarde el aparato en una habitación seca.

5. MANTENIMIENTO



Antes de realizar la limpieza y el mantenimiento, apague siempre la máquina y extraiga el enchufe de la red de alimentación.

Limpie regularmente la carcasa de la máquina con un paño suave, preferentemente después de cada uso. Compruebe que los orificios de ventilación estén libres de polvo y suciedad. Elimine el polvo persistente utilizando un paño suave humedecido con agua y jabón. No use disolventes tales como gasolina, alcohol, amoníaco, etc. Tales productos químicos pueden dañar los componentes sintéticos.

Filtros (fig. B)



Para conseguir el máximo rendimiento, se recomienda cambiar los filtros (11) periódicamente, según la intensidad de uso.

1. Saque con cuidado el filtro HEPA (11).
2. Limpie el polvo del filtro HEPA (11) con un cepillo, y si es necesario, lávelo.
3. No utilice productos de limpieza, disolventes u objetos punzantes para limpiar el aparato, incluido el filtro HEPA lavable.
4. Deje que el filtro se seque al aire antes de volver a instalarlo y usarlo.
5. Vuelva a instalar el filtro.

MEDIOAMBIENTE



Los aparatos eléctricos o electrónicos defectuosos y/o desechados deben recogerse en lugares de reciclado apropiado.

Solo para países de la Comunidad Europea

No elimine las herramientas eléctricas como residuos domésticos. De acuerdo con la Directiva europea 2012/19/CE sobre residuos de aparatos eléctricos y electrónicos, y su transposición a las legislaciones nacionales, las herramientas eléctricas que ya no se utilizan deben recogerse por separado y eliminarse en modo ecológico.

CONDICIONES DE GARANTÍA

Los productos VONROC han sido desarrollados con los más altos estándares de calidad y VONROC garantiza que están exentos de defectos relacionados con los materiales y la fabricación durante el periodo legalmente estipulado, a contar desde la fecha de compra original. En caso de que el producto presente defectos relacionados con los materiales y/o la fabricación durante este periodo, póngase directamente en contacto VONROC.

La presente garantía se excluye en los siguientes casos:

- Si centros de servicios no autorizados han realizado o han intentado realizar reparaciones y/o alteraciones a la máquina.
- Si se ha producido un desgaste normal.
- Si la herramienta ha sido mal tratada o usada en modo impropio, o se ha realizado incorrectamente su mantenimiento.
- Si se han utilizado piezas de repuesto no originales.

La presente constituye la única garantía implícita y explícita que ofrece la compañía. No existen otras

garantías explícitas o implícitas que excedan las citadas aquí, incluidas las garantías implícitas de comerciabilidad e idoneidad para una finalidad en especial. VONROC no será considerada responsable en ningún caso por daños incidentales o consecuentes. Los recursos a disposición de los distribuidores se limitan a la reparación o a la sustitución de las unidades o piezas no conformes.

El producto y el manual de usuario están sujetos a variaciones. Las especificaciones pueden variarse sin previo aviso.

1. ISTRUZIONI DI SICUREZZA

Leggere accuratamente gli avvisi di sicurezza, gli avvisi di sicurezza aggiuntivi e le istruzioni. La mancata osservanza degli avvisi di sicurezza e delle istruzioni potrebbe causare scosse elettriche, incendio e/o gravi lesioni. Mantenere gli avvisi di sicurezza e le istruzioni a portata di mano per future consultazioni.

I seguenti simboli sono utilizzati nel presente manuale utente o sul prodotto:



Leggere il manuale per l'utente.



Denota il rischio di lesioni personali, morte o danni all'utensile in caso di mancata osservanza delle istruzioni contenute nel presente manuale.



Rischio di scosse elettriche.



Staccare immediatamente la spina del cavo di alimentazione dalla presa di corrente se il cavo è danneggiato e durante le operazioni di pulizia e di manutenzione.



Apparecchio di Classe II - Doppio isolamento - Non è necessario il collegamento a terra.



Solo per cenere fredda! Esiste un rischio di incendio se il materiale di aspirazione supera una temperatura pari a 40°C (104°F)!



Se la temperatura del materiale supera i 40°C, esiste il pericolo di incendio.



Non smaltire il prodotto in contenitori non idonei.



Il prodotto è conforme agli standard pertinenti in materia di sicurezza previsti dalla legislazione Europea.

NOTE DI SICUREZZA

QUESTA APPARECCHIATURA PUÒ ESSERE UTILIZZATA DA BAMBINI DA 8 ANNI NONCHÉ DA PERSONE CON CAPACITÀ FISICHE, SENSORIALI O MENTALI O DA MANCANZA DI ESPERIENZA, SE SI TROVANO SOTTO

SORVEGLIANZA O ISTRUZIONE IN MERITO ALL'USO DELL'APPARECCHIATURA IN MODO SICURO E COMPRENDONO I RISCHI DEL CASO. ACCERTARSI CHE I BAMBINI NON GIOCHINO CON L'APPARECCHIATURA. LA PULIZIA E LA MANUTENZIONE UTENTE NON DEVE ESSERE ESEGUITA DA BAMBINI SENZA SUPERVISIONE. SE IL CAVO DI ALIMENTAZIONE È DANNEGGIATO, DEVE ESSERE SOSTITUITO DAL COSTRUTTORE, DA UN SUO RAPPRESENTANTE ADDETTO ALL'ASSISTENZA O DA ALTRE PERSONE CON QUALIFICA SIMILARE AL FINE DI EVITARE RISCHI PER LA SICUREZZA. IL CAVO DEVE ESSERE ESTRATTO DALLA PRESA DI CORRENTE PRIMA DI PULIRE L'APPARECCHIO O SOTTOPORLO A MANUTENZIONE.

- 1) Tenere pulita l'area di lavoro: Le aree e i banchi di lavoro in disordine possono causare incidenti.
 - 2) L'aspirapolvere dovrebbe essere assemblato correttamente prima dell'uso.
 - 3) Usare solo prolunghie omologate per l'utilizzo esterno (quando l'aspirapolvere viene utilizzato all'esterno) e accertarsi che esse siano in buone condizioni.
 - 4) Proteggere i cavi elettrici e accertarsi in particolare che non vengano schiacciati, tirati o danneggiati dai bordi e dai pezzi appuntiti o danneggiati dai liquidi corrosivi.
 - 5) Non usare una prolunga danneggiata. Non eseguire riparazioni permanenti o temporanee al cavo stesso.
 - 6) Non usare l'aspirapolvere con un cavo elettrico danneggiato. Disporre di un cavo nuovo installato da un centro di assistenza autorizzato.
 - 7) Non fissare elementi aggiuntivi su presa, cavi elettrici o prolunga.
 - 8) Prima di collegare il proprio aspirapolvere alla presa elettrica, accertarsi che i requisiti di tensione e presa elettrica corrispondano alle indicazioni riportate sull'etichetta accanto al cavo.
 - 9) Non tirare il dispositivo tramite il cavo.
 - 10) La propria macchina dovrebbe essere sempre spenta prima dell'estrazione del suo cavo dalla presa o dalla prolunga.
 - 11) Prima di lasciare il dispositivo senza supervisione (anche solo brevemente), spegnerlo e staccarlo dalla presa elettrica. Ciò dovrebbe avvenire in assenza di corrente.
 - 12) Non sottovalutare la corrente del dispositivo.
- Mantenere sempre un equilibrio stabile.
- 13) Tenere i bambini e gli animali domestici lontano dalla macchina. Quando la macchina in funzione, tutti dovrebbero stare a una distanza di sicurezza.
 - 14) Il dispositivo non dovrebbe essere usato da bambini o persone senza dimestichezza con il dispositivo o che non hanno letto il manuale d'istruzioni.
 - 15) L'utente del dispositivo è responsabile per la sicurezza degli altri durante il suo utilizzo.
 - 16) L'aspirapolvere dovrebbe essere usato solo per i suoi scopi precisi.
 - 17) Prima di eseguire qualsiasi intervento di manutenzione, impostazione o pulizia sull'aspirapolvere, spegnerlo, staccarlo dalla presa elettrica e attendere l'arresto del motore.
 - 18) Procedere con molta cautela durante la verifica, la pulizia o l'esecuzione dell'intervento di manutenzione sul dispositivo e indossare dei guanti da lavoro spessi per proteggere le proprie mani.
 - 19) È vietato modificare i dispositivi di sicurezza o alterare i cavi elettrici o rimuoverli dalla macchina.
 - 20) Durante l'utilizzo della macchina, tenerla su una superficie stabile o supportata dal corpo.
 - 21) Lavorare solo in condizioni di illuminazione perfetta con luce solare o una luce artificiale adeguata.
 - 22) Si raccomanda di usare dei dispositivi otoprotettori.
 - 23) Se la macchina vibra in modo innaturale, arrestare il motore e ricercarne immediatamente la causa. La presenza di vibrazioni indicano solitamente la presenza di un problema.
 - 24) L'aspirapolvere dovrebbe essere verificato prima di qualsiasi utilizzo. Non usare la macchina che non sia in condizioni perfette. Se viene rilevato un problema che rappresenta un pericolo per l'utente, far riparare la macchina prima dell'uso della stessa.
 - 25) Sostituire per ragioni di sicurezza le parti usurate o danneggiate. Usare solo i ricambi approvati dal costruttore. Le parti provenienti da fonti diverse dal costruttore potrebbero non essere compatibili o essere pericolose o causare incidenti. Il cavo di alimentazione può essere sostituito solo dai centri di assistenza cliente specializzati.
 - 26) Usare l'aspirapolvere solo in ambiti asciutti e protetti dalle intemperie. Non usarlo all'esterno in caso di pioggia.

- 27) Tenere il dispositivo in un luogo asciutto, fuori dalla portata dei bambini.
- 28) Non lasciare in giro il cavo di alimentazione dopo il completamento della pulizia; qualcuno potrebbe inciampare su di esso.
- 29) Prestare attenzione durante lo svuotamento di serbatoi estremamente pesanti.
- 30) Svuotare il serbatoio dopo ciascun utilizzo per evitare combustioni spontanee.
- 31) Non usare la macchina per aspirare liquidi infiammabili o combustibili, come gasolio, polvere per fotocopiatrici o sostanze volatili, e non usare la macchina in ambiti in cui sono presenti tali liquidi. Non passare l'aspirapolvere su acidi.
- 32) Non passare l'aspirapolvere su qualsiasi materiale tossico, cancerogeno, combustibile o qualsiasi materiale pericoloso, come polvere di amianto, arsenico, bario, berillio, piombo, pesticidi o altre sostanze pericolose per la propria salute.
- 33) Procedere con la massima cautela durante l'utilizzo dell'aspirapolvere su legno o ceneri di carbone di legna, ruggine, cemento, intonaco o polvere d'intonaco. Queste particelle sono estremamente sottili e possono passare attraverso i filtri pregiudicando le prestazioni del motore o essere soffiati nell'aria.
- 34) Non passare l'aspirapolvere sopra una superficie che brucia o è incandescente, come sigarette, mozziconi di sigarette, fiammiferi o ceneri calde.
- 35) Non passare mai l'aspirapolvere sopra acqua salina; essa potrebbe distruggere il motore.

AVVERTENZE DI SICUREZZA SPECIFICHE PER L'ASPIRAZIONE DI CENERI

- a) L'aspirapolvere non deve essere usato per la separazione di sostanze pericolose.
- b) Non passare l'aspirapolvere sopra la ruggine!
- c) Passare l'aspirapolvere solo sulle ceneri dei combustibili consentiti!
- d) Non passare l'aspirapolvere sopra oggetti caldi o in combustione o su braci (per esempio sigarette, carbone di legna, ceneri, ecc.). La temperatura del materiale deve essere inferiore a 40°C.
- e) Cautela! Se la temperatura del materiale supera i 40°C, sussiste il pericolo di incendio.
- f) Attenzione! Il materiale che sembra essersi raffreddato dall'esterno potrebbe essere ancora caldo all'interno. Ciò può essere appurato passando un utensile metallico come pettine sopra le ceneri prima di usare il dispositivo. Non sarà percepibile un irraggiamento di calore dalla cenere fredda.
- g) Le particelle di cenere calda possono di nuovo incendiarsi nel flusso d'aria.
- h) Le temperature superiori a 40°C potrebbero danneggiare l'aspirapolvere, i tubi flessibili e il filtro.
- i) Accertarsi che il forno sia freddo prima di passare l'aspirapolvere nei forni.
- j) Verificare costantemente le tubature, i filtri e l'aspirapolvere per appurare la presenza di temperature eccessive durante le operazioni di pulizia con l'aspirapolvere.
- k) Se viene percepito un aumento di temperatura, spegnere immediatamente l'aspirapolvere. Disconnettere l'aspirapolvere dalla presa di corrente e rimuovere il filtro. Rimuovere il materiale dal filtro. Far raffreddare l'aspirapolvere sotto supervisione.
- l) Svuotare completamente l'aspirapolvere dopo il processo di pulizia.

AVVERTENZE DI SICUREZZA SPECIFICHE PER IL SOFFIAGGIO

- a) Indirizzare lo sfato d'aria solo nell'ambito di lavoro. Non indirizzarlo mai su persone o animali.
- b) Rischio di oggetti volanti. Tenere lontano chiunque si trovi nelle vicinanze dall'area di lavoro.
- c) Indossare sempre occhiali di protezione prima di usare la funzione di soffiaggio.

Sicurezza elettrica

Quando si utilizzano apparecchi elettrici, osservare sempre le norme di sicurezza vigenti nel proprio paese per ridurre il rischio di incendi, scosse elettriche e lesioni personali. Leggere le istruzioni di sicurezza riportate di seguito oltre a quelle allegate al presente manuale.



Verificare sempre che la tensione della rete di alimentazione corrisponda al valore riportato sulla targhetta dei valori nominali dell'elettrotensile.



Apparecchio di Classe II - Doppio isolamento - Non è necessario il collegamento a terra.

Se non è possibile evitare l'uso di un elettrotensile in ambiente umido, usare una rete di alimentazione protetta da un interruttore differenziale (salvavita). L'uso di un salvavita riduce il rischio di scosse elettriche.

2. INFORMAZIONI RELATIVE ALL'ELETTROUTENSILE

Uso previsto

L'aspirapolvere è inteso per l'aspirazione di polvere in ambito domestico ed industriale, per esempio pulizia di un camino, un barbeque o altri residui di cenere. L'aspirapolvere è dotato di una funzione di soffiaggio. Esso può essere usato per soffiare la polvere e i detriti fuori dai garage o dai cortili e dai vialetti. Il dispositivo non è idoneo per l'uso in ambiente commerciale o industriale.

DATI TECNICI

Modello n.º	VC505AC
Tensione di rete	220-240V~
Frequenza di rete	50-60 Hz
Potenza assorbita	1600W
Lunghezza cavo	3m
Categoria di protezione	Class II
Forza di aspirazione	20 kPA, 1,6 m³/min
Capienza recipiente circa	circa 20 L
Filtro	HEPA
Sistema di tubi flessibili	Ø35mm
Lunghezza tubo flessibile	1,2m
Filtro consigliato	VC808AC
Peso (compresi tutti gli accessori)	circa 3,3 kg

DESCRIZIONE

I numeri che compaiono nel testo si riferiscono agli schemi riportati a pagina 2-3.

1. Interruttore On/Off
2. Maniglia di trasporto
3. Attacco aspirapolvere
4. Attacco di soffiaggio
5. Morsetto in metallo
6. Conservazione di bocchette
7. Contenitore
8. Sezione superiore
9. Tubo flessibile
10. Tubatura in alluminio
11. Filtro HEPA
12. Supporto filtro

3. MONTAGGIO



Prima del montaggio spegnere sempre l'elettrodomestico e staccare la spina dalla presa di corrente.

- Far scivolare il filtro HEPA (11) sopra il supporto filtro (12) come da fig. B.



Pulire il filtro HEPA (11) regolarmente e dopo ogni utilizzo intenso per mantenere la forza di aspirazione.

- Posizionare la sezione superiore (8) sul contenitore (7) come da fig. C1.
- Fissare i morsetti in metallo del contenitore alla sezione superiore come da fig. C2.
- Chiudere i morsetti in metallo spingendoli verso il basso.
- Collegare il tubo flessibile di aspirazione (9).
 - Collegare per l'aspirazione di polvere (fig. D) il tubo flessibile di aspirazione (9) all'attacco aspirapolvere (3).
 - Collegare per il soffiaggio (fig. E) il tubo flessibile di aspirazione (9) all'attacco di soffiaggio (4).
- Connettere il tubo in alluminio (10) al tubo flessibile (9).

4. FUNZIONAMENTO

Accensione (fig. A):



Non passare l'aspirapolvere senza un filtro HEPA!

1. Srotolare completamente il tubo flessibile di aspirazione (9).
2. Collegare la spina del cavo di alimentazione alla presa elettrica.
3. Premere l'interruttore principale (1) nella posizione "ON/1" per avviare il proprio aspirapolvere.

Spegnimento (fig. A):

Premere l'interruttore principale (1) nella posizione "OFF/0" per spegnere il proprio aspirapolvere.

Aspirazione della polvere (fig. B, C1, C2, D)



Pulire il filtro HEPA (11) regolarmente e dopo ogni utilizzo intenso per mantenere la forza di aspirazione.



La polvere fine, la polvere da cemento, ruggine e intonaco sono troppo fini per essere usati e rischiano di penetrare nel motore e danneggiarlo.

1. Spegnerne (1) la macchina e staccare la spina dalla presa di corrente.
2. Aprire il morsetto in metallo (5) e rimuovere la sezione superiore (8).
3. Prima di passare l'aspirapolvere, rimuovere tutto lo sporco e i detriti dal contenitore (7).
4. Inserire il filtro. Far scivolare con cautela il filtro HEPA (11) sopra il supporto filtro (12) come da fig. B.
5. Inserire la sezione superiore (8) sul contenitore (7) come da fig. C1.
6. Reinserire la sezione superiore (8) e serrare il morsetto di bloccaggio (5). Fig. C2.
7. Inserire un'estremità del tubo flessibile (9) nell'attacco aspirapolvere (3). Srotolare completamente il tubo flessibile di aspirazione (9). Fig. D.
8. Collegare la spina del cavo di alimentazione alla presa elettrica.
9. Premere l'interruttore principale (1) nella posizione "ON/1" per avviare il proprio aspirapolvere.
10. La macchina ora è pronta per essere utilizzata per l'aspirazione di polvere asciutta.
11. Premere l'interruttore principale (1) nella posizione "OFF/0" per spegnere il proprio aspirapolvere.

Funzione di soffiaggio (fig. C1, C2, E)



Si raccomanda di non usare un filtro durante il funzionamento.



Rimuovere tutto lo sporco e i detriti dal contenitore (7) prima di usare la funzione di soffiaggio.



Indossare sempre occhiali di protezione prima di usare la funzione di soffiaggio.



Rischio di oggetti volanti. Tenere lontano chiunque si trovi nelle vicinanze dall'area di lavoro.

Il proprio aspirapolvere è dotato di una funzione di soffiaggio. Esso può essere usato per soffiare la polvere e i detriti fuori dai garage o dai cortili e dai viali.

1. Spegnerne (1) la macchina e staccare la spina dalla presa di corrente.
2. Aprire il morsetto di bloccaggio (5) e rimuovere la sezione superiore (8).
3. Prima del soffiaggio, rimuovere il filtro (11) e rimuovere tutto lo sporco e i detriti dal contenitore (7).
4. Reinserire la sezione superiore (8) e serrare il morsetto di bloccaggio (5). Fig. C1, C2.
5. Inserire un'estremità del tubo flessibile (9) nell'attacco di soffiaggio (4) sul lato posteriore della macchina. Srotolare completamente il tubo flessibile di aspirazione (9). Fig. E.
6. Collegare la spina del cavo di alimentazione alla presa elettrica.
7. Premere l'interruttore principale (1) nella posizione "ON/1" per avviare il proprio aspirapolvere.
8. La macchina è ora pronta per il soffiaggio di polvere e detriti.
9. Premere l'interruttore principale (1) nella posizione "OFF/0" per spegnere il proprio aspirapolvere.

Conclusione del funzionamento (fig. F)

1. Spegnerne (1) la macchina e staccare la spina dalla presa di corrente.
2. Rimuovere la sezione superiore (8) e svuotare il contenitore (7).
3. Pulire la macchina con un panno morbido.
4. Disconnettere il tubo flessibile, il tubo e il contenitore.
5. Pulire i connettori del tubo flessibile, il tubo flessibile e il tubo dopo l'utilizzo e mantenerli sbloccati.
6. Riporre il cavo di alimentazione e gli accessori sulla macchina come da illustrazione. Conservare l'apparecchio in un luogo asciutto.

5. MANUTENZIONE



Prima di eseguire qualsiasi operazione di pulizia e intervento di manutenzione spegnere sempre l'elettrodomestico e staccare la spina dalla presa di corrente.

Pulire regolarmente il corpo dell'elettrodomestico con un panno morbido, preferibilmente dopo ogni uso. Assicurarsi che le prese d'aria siano libere da polvere e sporco. Rimuovere lo sporco particolarmente ostinato con un panno morbido inumidito con acqua e sapone. Non utilizzare solventi come benzina, alcol, ammoniaci, ecc. Le sostanze chimiche di questo tipo danneggiano i componenti sintetici.

Filtri (fig. BB)

Per raggiungere prestazioni ottimali si raccomanda di sostituire regolarmente i filtri (11) in base all'utilizzo.

1. Rimuovere con cautela il filtro HEPA (11).
2. Pulire la polvere sul filtro HEPA (11) con la spazzola e lavarlo se necessario
3. Non utilizzare prodotti detergenti, solventi od oggetti appuntiti per qualsiasi pulizia dell'apparecchio, compreso il filtro HEPA lavabile.
4. Consentire l'essiccazione all'aria del filtro prima di installarlo e usarlo nuovamente.
5. Reinstallare il filtro.

Ciò costituisce l'unica garanzia espressa o implicita fornita dall'azienda. Non esistono altre garanzie espresse o implicite che si estendono oltre il presente documento, ivi comprese le garanzie implicite di commerciabilità e idoneità per uno scopo particolare. In nessun caso VONROC sarà responsabile di eventuali danni incidentali o consequenziali. I rimedi dei rivenditori saranno limitati alla riparazione o sostituzione di unità o parti non conformi.

Il prodotto e il manuale per l'utente sono soggetti a modifiche. I dati tecnici possono essere modificati senza ulteriore notifica.

RISPETTO AMBIENTALE

Se si prevede che la macchina non verrà usata per molto tempo si consiglia di conservare le batterie cariche.

Solo per i Paesi CE

Non smaltire gli elettrodomestici insieme ai rifiuti domestici. Secondo la Direttiva europea 2012/19/EC sui rifiuti delle apparecchiature elettriche ed elettroniche e relativa implementazione nelle normative locali, gli elettrodomestici ormai inutilizzabili devono essere raccolti separatamente e smaltiti in modo ecologico.

DEFINIZIONI DELLA GARANZIA

I prodotti VONROC sono sviluppati secondo i più elevati standard di qualità e viene garantita l'assenza di difetti nei materiali e nella manodopera per il periodo contrattuale a partire dalla data di acquisto originale. Qualora il prodotto dovesse subire un guasto qualsiasi durante questo periodo a causa di difetti nei materiali e/o nella manodopera, si prega di contattare direttamente il VONROC.

Le seguenti circostanze sono escluse da questa garanzia:

- Riparazioni e/o modifiche alla macchina sono state eseguite o tentate da centri di assistenza non autorizzati.
- Normale usura.
- L'utensile è stato abusato, utilizzato o mantenuto in modo improprio.
- Sono state utilizzate parti di ricambio non originali

1. SÄKERHETSFÖRESKRIFTER

Läs de medföljande säkerhetsvarningarna, de tillkommande säkerhetsvarningarna och anvisningarna. Om inte säkerhetsvarningarna och anvisningarna följs kan detta orsaka elstöt, brand och/eller allvarliga kroppsskador. Behåll säkerhetsvarningarna och anvisningarna för framtida bruk.

Följande symboler används i bruksanvisningen eller på produkten:



Läs användarhandboken.



Anger risk för personskada, dödsfall eller skada på verktyget om anvisningarna i denna handbok inte följs.



Risk för elstöt.



Ta genast ut strömkontakten från strömkällan om strömkabeln skadas samt vid rengöring och underhåll.



Klass II-maskin - dubbel isolering - du behöver ingen jordad kontakt.



Endast för kall aska! Det finns risk för brand om sugmaterialet överstiger en temperatur på 40 °C!



Om temperaturen på materialet överstiger 40 °C finns det risk för brand.



Kassera inte produkten i olämpliga containrar.



Produkten uppfyller gällande säkerhetsnormer i EU-direktiven.

SÄKERHETSANVISNINGAR

DENNA APPARÄT KAN ANVÄNDAS AV BARN FRÅN 8 ÅR OCH PERSONER MED NEDSATT FYSISK ELLER PSYKISK FÖRMÅGA ELLER BRISTANDE ERFARENHET ELLER KUNSKAP, OM DE ÖVERVAKAS ELLER FÅR INSTRUKTIONER OM HUR APPARATEN ANVÄNDS PÅ ETT SÄKERT SÄTT OCH ÅR MEDVETNA OM RISKERNA. BARN FÅR INTE LEKA MED APPARATEN. RENGÖRING OCH ANVÄNDARUNDERHÅLL SKA

INTE UTFÖRAS AV BARN UTAN ÖVERVAKNING. OM EN STRÖMSLADD ÄR SKADAD MÅSTE DEN BYTAS AV TILLVERKAREN, TILLVERKARENS SERVICEOMBUD ELLER LIKNANDE KVALIFICERAD PERSONAL FÖR ATT UNDVIKA FARA. KONTAKTEN MÅSTE DRAS UT UR ELUTTAGET INNAN APPARATEN RENGÖRS ELLER UNDERHÅLLS.

- 1) Håll ditt arbetsområde rent. Stökiga arbetsområden och arbetsbänkar är en källa till skada.
- 2) Dammsugaren ska monteras ordentligt före användning.
- 3) Använd endast förlängningssladdar som är godkända för utomhusbruk (när dammsugaren används utomhus) och se till att de alltid är i gott skick.
- 4) Skydda elkablarna och se särskilt till att de inte krossas, dras eller skadas av kanter, vassa delar eller rörliga delar eller skadas av frätande vätskor.
- 5) Använd inte en skadad förlängningssladd. Gör inga permanenta eller tillfälliga reparationer på själva kabeln.
- 6) Använd inte en dammsugare som har en skadad elkabel. Låt en ny kabel installeras av ett auktoriserat servicecenter.
- 7) Fäst inte något annat på uttaget, elkablarna eller förlängningssladden.
- 8) Innan du sätter i dammsugaren i eluttaget, se till att spänningen och uttaget stämmer överens med vad som anges på etiketten bredvid sladden.
- 9) Dra inte enheten i sladden.
- 10) Din maskin ska alltid vara avstängd innan du kopplar ur den från uttaget eller förlängningssladden.
- 11) Stäng av den och koppla ur den från eluttaget innan du lämnar enheten utan tillsyn (även en kort stund). Detta bör också göras om strömmen försvinner.
- 12) Underskatta inte dess kraft. Stå alltid balanserat och stadigt.
- 13) Håll barn och husdjur borta från maskinen. När maskinen är i drift ska alla hålla sig på säkert avstånd.
- 14) Enheten bör inte användas av barn eller personer som inte behärskar enheten eller som inte har läst denna bruksanvisning.
- 15) Användaren av enheten är ansvarig för andras säkerhet när hen använder den.
- 16) Dammsugaren bör endast användas för dess avsedda ändamål.

- 17) Innan du utför underhålls-, justerings- eller rengöringsprocedurer på dammsugaren, stäng av den, koppla bort den ur eluttaget och vänta tills motorn stannar.
- 18) Var mycket försiktig när du kontrollerar, rengör eller utför underhåll på enheten och bär tjocka arbetshandskar för att skydda dina händer.
- 19) Varken säkerhetsanordningarna eller elkablarna ska modifieras eller tas bort från maskinen.
- 20) När du använder maskinen ska den hållas stadigt och på en stabil yta eller stödjas av kroppen.
- 21) Arbeta bara i fullt dagsljus eller med lämpligt artificiellt ljus.
- 22) Vi rekommenderar att du använder någon typ av hörselskydd för dina öron.
- 23) Om maskinen vibrerar onormalt, stanna motorn och leta efter orsaken omedelbart. Vibrationer betyder vanligtvis ett problem.
- 24) Dammsugaren ska kontrolleras ordentligt före användning. Använd inte en maskin som inte är i perfekt skick. Om du märker ett problem som kan utgöra en fara för användaren, låt reparera maskinen innan du använder den.
- 25) Byt ut slitna eller skadade delar av säkerhets-skäl. Använd endast reservdelar som godkänts av tillverkaren. Delar från andra källor än tillverkaren kanske inte passar ordentligt eller kan vara farliga eller orsaka skador. Nätsladden får endast bytas ut av specialiserade kundtjänstcentraler.
- 26) Använd endast dammsugaren i områden som är torra och skyddade från dåligt väder. Använd den inte utomhus när det regnar.
- 27) Förvara dammsugaren på ett torrt, rent ställe utom räckhåll för barn.
- 28) Lämna inte nätsladden liggande när rengöringen är klar; någon kan snubbla.
- 29) Var försiktig när du tömmer extremt tunga tankar.
- 30) För att undvika spontan förbränning, töm tanken efter varje användning.
- 31) Använd inte maskinen för att suga upp lättantändliga eller brännbara vätskor, såsom bensin, kopieringspulver eller flyktiga ämnen, och använd inte maskinen i områden där dessa vätskor finns. Sug inte upp syror.
- 32) Sug inte upp ämnen som är giftiga, cancerframkallande, brännbara eller andra farliga material, såsom asbest, asbestdamm, arsenik, barium, beryllium, bly, bekämpningsmedel eller andra hälsofarliga ämnen.
- 33) Extrem försiktighet bör iakttas vid sugning av trä- eller kolaska, sot, cement, gips eller

gipsskivedamm. Dessa partiklar är extremt fina och kan passera genom filtren som påverkar motorns prestanda eller blåses upp i luften.

- 34) Sug inte upp något som brinner eller smälter, såsom cigaretter, cigarettstumpar, tändstickor eller het aska.
- 35) Sug aldrig upp saltvatten; det kan förstöra motorn.

SÄRSKILDA SÄKERHETSVARNINGAR FÖR UPPSUGNING AV ASKA

- Dammsugaren får inte användas för att separera farliga ämnen.
- Sug inte upp sot!
- Sug endast upp aska från tillåtna bränslen!
- Sug inte upp heta eller brinnande föremål eller glöd (t.ex. cigaretter, kol, aska, etc.). Materialets temperatur måste vara under 40 °C.
- Försiktighet! Om temperaturen på materialet överstiger 40°C finns det risk för brand.
- Obs! Material som verkar ha svalnat på utsidan kan fortfarande vara mycket varmt inuti. Detta kan kontrolleras genom att kamma askan med ett metallverktyg innan du använder enheten. Det ska inte längre finnas någon märkbar värme som strålar ut från den kalla askan.
- Heta askpartiklar kan antändas igen i luftflödet.
- Temperaturer över 40 °C kan skada dammsugaren, slangarna och filtret.
- Se till att ugnen är kall innan du dammsuger den.
- Kontrollera kontinuerligt rör, filter och dammsugare för höga temperaturer under dammsugning.
- Stäng av dammsugaren omedelbart om du märker en temperaturökning. Koppla bort dammsugaren från elnätet och ta bort filtret. Ta bort material från filtret. Låt dammsugaren svalna under övervakning.
- Töm dammsugaren helt efter dammsugning.

SÄRSKILDA SÄKERHETSVARNINGAR FÖR BLÅSNING

- Rikta endast luftstrålen mot arbetsområdet. Aldrig mot människor eller djur.
- Risk för flygande föremål. Håll kringstående borta från arbetsområdet.
- Använd alltid skyddsglasögon när du använder blåsfunktionen.

Elektrisk säkerhet

Följ alltid säkerhetsföreskrifterna som gäller i ditt land när du arbetar med elverktyg för att minska risken för brand, elstöt och personskada. Läs följande säkerhetsanvisningar och även de medföljande säkerhetsanvisningarna.



Kontrollera alltid att strömspänningen motsvarar spänningen som anges på märketiketten.



Klass II-maskin - dubbel isolering - du behöver ingen jordad kontakt.

Använd jordfelskydd (RCD) om arbete med ett elverktyg i fuktig miljö är oundvikligt. Användning av RCD minskar risken för elstöt.

2. MASKININFORMATION

Avsedd användning

Dammsugaren är avsedd för dammsugning av kall aska i hemmet, till exempel rengöring av en öppen spis, grill eller annan aska. Dammsugaren är utrustad med en blåsfunktion. Den kan användas för att blåsa bort damm och skräp i garage eller på uteplatser och uppfarter. Enheten är inte avsedd för kommersiellt eller industriellt bruk.

Modellnr.	VC505AC
Strömspänning	220-240V~
Strömfrekvens	50-60 Hz
Ineffekt	1600W
Kabellängd	3 m
Skyddskategori	klass II
Sugkraft	20 kPA, 1,6 m ³ /min
Behållarkapacitet	ca. 20 l
Filter	HEPA
Slangsystem	35 mm
Slanglängd	1,2 m
Rekommenderat filter	VC808AA
Vikt (inkl. alla tillbehör)	ca. 3,3 kg

BESKRIVNING

Siffrorna i texten hänvisar till diagrammen på sidorna 2-3.

1. Växelbrytare
2. Bärhandtag
3. Utsugsuttag
4. Blåsuttag
5. Låsklämma i metall
6. Förvaring av munstycken
7. Behållare
8. Övre del
9. Slang
10. Aluminiumrör
11. HEPA-filter
12. Filterhållare

3. MONTERING



Stäng alltid av maskinen och ta ut strömkontakten från strömkällan innan montering.

- Skjut HEPA-filtret (11) över filterhållaren (12) enligt fig. B.



Rengör HEPA-filtret (11) regelbundet och efter varje tung användning för att bibehålla sugkraften.

- Placera den övre delen (8) på behållaren (7) enligt figur C1.
- Fäst behållarens metallåsklämmor vid den övre delen som visas i fig. C2.
- Stäng metallåsklämmorna genom att trycka dem nedåt.
- Anslut sugslangen (9).
 - För dammsugning (fig. D): Anslut sugslangen (9) till utsugsuttaget (3).
 - För att blåsa (fig. E): Anslut sugslangen (9) till blåsuttaget (4).
- Anslut aluminiumröret (10) till slangen (9).

4. DRIFT

Igångsättning (fig. A):



Dammsug inte utan Hepa-filter!

1. Linda ut sugslangen helt (9).
2. Anslut nätkontakten.
3. Tryck strömbrytaren (1) i läge "ON/1" för att starta dammsugaren.

Avstängning (fig. A):

Tryck strömbrytaren (1) i läge "OFF/0" för att stänga av dammsugaren.

Dammsugning (fig. B, C1, C2, D)

Rengör HEPA-filtret (11) regelbundet och efter varje tung användning för att bibehålla sugkraften.



Fint damm, som damm från cement, sot och gips är för fint. Det innebär en risk för det kommer in i motorn och skadar den.

1. Stäng av maskinen (1) och ta bort strömkontakten från strömkällan.
2. Lås upp metallåsklämmorna (5) och ta bort den övre delen (8).
3. Avlägsna all smuts och skräp från behållaren (7) innan du dammsuger.
4. Sätt in filtret. Skjut försiktigt HEPA-filtret (11) över filterhållaren (12) enligt fig. B.
5. Placera den övre delen (8) på behållaren (7) enligt fig. C1.
6. Sätt tillbaka den övre delen (8) igen och lås låsklämmorna (5). Fig. C2.
7. För in ena änden av slangen (9) i utsugsuttaget (3). Linda ut sugslangen helt (9). Fig. D.
8. Anslut nätkontakten.
9. Tryck strömbrytaren (1) i läge "ON/1" för att starta dammsugaren.
10. Maskinen är nu redo att användas för dammsugning.
11. Tryck strömbrytaren (1) i läge "OFF/0" för att stänga av dammsugaren.

Blåsfunktion (fig. C1, C2, E)

Användning utan användning av filter rekommenderas.



Ta bort all smuts och skräp från behållaren (7) innan du använder blåsfunktionen.



Använd alltid skyddsglasögon när du använder blåsfunktionen.



Risk för flygande föremål. Håll kringstående borta från arbetsområdet.

Din dammsugare är utrustad med en blåsfunktion. Den kan användas för att blåsa bort damm och skräp i garage eller på uteplatser och uppfarter.

1. Stäng av maskinen (1) och ta ut strömkontakten från strömkällan.
2. Lås upp låsklämmorna (5) och ta bort den övre delen (8).
3. Ta bort filtret (11) och avlägsna all smuts och skräp från behållaren (7) innan du blåser.
4. Sätt tillbaka den övre delen (8) igen och lås låsklämman (5). Fig. C1, C2.
5. För in ena änden av slangen (9) i utsugsuttaget (4) på maskinens ovandel. Linda ut sugslangen helt (9). Fig. E.
6. Anslut nätkontakten.
7. Tryck strömbrytaren (1) i läge "ON/1" för att starta dammsugaren.
8. Maskinen är nu redo att blåsa damm och skräp.
9. Tryck strömbrytaren (1) i läge "OFF/0" för att stänga av dammsugaren.

Avsluta (fig. F)

1. Stäng av maskinen (1) och ta ut strömkontakten.
2. Ta bort den övre delen (8) och töm behållaren (7).
3. Rengör maskinen med en mjuk trasa.
4. Koppla bort slangen, röret och behållaren.
5. Rengör slangkopplingar, slang och rör efter användning och håll dem oblockerade.
6. Förvara nätkabeln och tillbehöret vid maskinen enligt bilden. Förvara apparaten på en torr plats.

5. UNDERHÅLL

Innan rengöring och underhåll ska du alltid stänga av maskinen och dra ut nätkontakten ur vägguttaget.

Rengör maskinen hus regelbundet med en mjuk trasa, helst efter varje gång du använder maskinen. Se till att ventilationsöppningarna är fria från damm och smuts. Ta bort mycket ihållande smuts med en mjuk trasa fuktad med tvällösning. Använd inte lösningsmedel som bensin, alkohol, ammoniak osv. Sådana kemikalier skadar de syntetiska komponenterna.

Filter (fig. B)

För optimal prestanda rekommenderas att byta filter regelbundet (11) beroende på användning.

1. Ta försiktigt bort HEPA-filtret (11).
2. Rengör dammet på HEPA-filtret (11) med borsten och tvätta det vid behov.
3. Använd inte rengöringsmedel, lösningsmedel eller vassa föremål för rengöring av apparaten, inklusive det tvättbara HEPA-filtret.
4. Låt filtret lufttorka innan du installerar och använder det igen.
5. Sätt tillbaka filtret.

MILJÖ



Felaktig och/eller kasserad elektrisk eller elektronisk utrustning måste lämnas in på lämpliga återvinningsstationer.

Endast för EU-länder

Kassera inte elverktyg i hushållsavfall. Enligt den europeiska riktlinjen 2012/19/EU om kasserad elektrisk och elektronisk utrustning och dess tillämpning i nationell rätt måste elverktyg som inte längre är användbara samlas in separat och kasseras på ett miljövänligt sätt.

GARANTI

VONROC produkter är utvecklade enligt högsta kvalitetsstandard och garanteras vara utan defekter både vad gäller material och tillverkning under den period som stipuleras enligt lag med början från ursprungligt inköpsdatum. Om något fel uppstår på produkten under denna period på grund av material- och/eller tillverkningsfel skall VONROC kontaktas direkt.

Följande omständigheter exkluderas från denna garanti:

- Reparationer eller ändringar som gjorts eller försökt göras på maskinen av ett icke auktoriserat servicecenter.
- Normalt slitage.
- Verktyget har missbrukats, använts fel eller underhållits på felaktigt sätt.
- Icke-originalreservdelar har använts.

Detta utgör hela garantin från företaget, antingen uttryckt eller underförstått. Det finns inga andra garantier, uttalade eller underförstådda som gäller utöver ordalydelsen härav, häri, inklusive de outtalade garantierna för säljbarhet och lämplighet för ett särskilt syfte. Under inga omständigheter

skall VONROC hållas ansvarig för några oförutsedda eller indirekta skador. Återförsäljarens åtgärder skall begränsas till reparation eller byte av felaktiga enheter eller delar.

Med förbehåll för ändringar i produkten och bruksanvisningen. Specifikationer kan ändras utan förvarning.

1. SIKKERHEDSANVISNINGER

Læs de medfølgende sikkerhedsadvarsler, de supplerende sikkerhedsadvarsler og instruktionerne. Såfremt sikkerhedsadvarsler og instruktioner ikke følges, kan dette medføre elektriske stød, brand og/eller alvorlige ulykker. Gem alle sikkerhedsadvarsler og instruktioner til fremtidig reference.

Følgende symboler anvendes i denne brugermanual eller på produktet:



Læs brugervejledningen.



Angiver risiko for personskade, dødsfald eller beskadigelse af værktøjet i tilfælde af manglende overholdelse af anvisningerne i denne vejledning.



Risiko for elektrisk stød.



Tag øjeblikkeligt netstikket ud af stikkontakten, hvis netkablet bliver beskadiget, samt under rengøring og vedligeholdelse.



Klasse II-maskine - Dobbeltisoleret - Du har ikke brug for et jordstik.



Kun til kold aske! Der er risiko for brand, hvis sugematerialet overstiger en temperatur på 40 °C (104 °F)!



Hvis materialets temperatur overstiger 40 °C, er der risiko for brand.



Bortskaf ikke produktet i uegnede beholdere.



Produktet er i overensstemmelse med de gældende sikkerhedsstandarder i EU direktiverne.

SIKKERHEDSBEMÆRKNINGER

DETTE APPARAT KAN ANVENDES AF BØRN PÅ 8 ÅR OG DEROVER SAMT AF PERSONER MED NEDSATTE FYSISKE, SENSORISKE ELLER MENTALE EVNER ELLER MANGLENDE ERFARING OG VIDEN, HVIS DE HOLDES UNDER OPSYN ELLER HAR FÅET VEJLEDNING I AT BRUGE APPARATET PÅ EN SIKKER MÅDE OG FORSTÅR DE

DERMED FORBUNDNE RISICI. BØRN MÅ IKKE LEGE MED APPARATET. RENGØRING OG BRUGERVEDLIGEHOLDELSE MÅ IKKE UDFØRES AF BØRN UDEN OPSYN. HVIS FORSYNINGSLEDNINGEN ER BESKADIGET, SKAL DEN UDSKIFTES AF PRODUCENTEN, DENS SERVICEAGENT ELLER LIGNENDE KVALIFICEREDE PERSONER FOR AT UNDGA FARER. STIKKET SKAL TRÆKKES UD AF STIKKONTAKTEN INDEN RENGØRING ELLER VEDLIGEHOLDELSE AF APPARATET.

- 1) Hold dit arbejdsområde rent: Rodede arbejdsområder og arbejdsbænke er en kilde til personskade.
- 2) Støvsugeren skal monteres korrekt inden brug.
- 3) Brug kun forlængerledninger, der er godkendt til udendørs brug (når støvsugeren bruges udenfor), og sørg for, at de altid er i god stand.
- 4) Beskyt strømkablerne, og sørg især for, at de ikke bliver mast, trukket eller beskadiget af kanter, skarpe stykker eller bevægelige dele, og at de ikke bliver beskadiget af ætsende væsker.
- 5) Anvend ikke en beskadiget forlængerledning. Foretag ikke permanente eller midlertidige reparationer af selve kablet.
- 6) Brug ikke en støvsuger, der har en beskadiget strømledning. Få et nyt kabel installeret af et autoriseret servicecenter.
- 7) Fastgør ikke andet til stikkontakten, strømledningerne eller forlængerledningen.
- 8) Inden du slutter støvsugeren til stikkontakten, skal du sørge for, at spændingen og stikkontaktens krav svarer til det, der er angivet på mærkatens ved siden af ledningen.
- 9) Træk ikke i enheden ved ledningen.
- 10) Din maskine skal altid være slukket, før du tager stikket ud af stikkontakten eller forlængerledningen.
- 11) Inden du efterlader enheden uden opsyn (selv i en kort periode), skal du slukke den og tage stikket ud af stikkontakten. Dette skal også gøres, hvis der er strømafbrydelse.
- 12) Undervurder ikke dens effekt. Hav altid en afbalanceret og stabil holdning.
- 13) Hold børn og kæledyr væk fra maskinen. Når maskinen er tændt, skal alle holde sig på en sikker afstand.
- 14) Enheden bør ikke bruges af børn eller personer, der ikke er fortrolige med enheden, eller som ikke har læst denne brugervejledning.

- 15) Brugeren af enheden er ansvarlig for andres sikkerhed under brugen.
- 16) Støvsugeren bør kun bruges til det tilsigtede formål.
- 17) Før der udføres vedligeholdelses-, justerings- eller rengøringsprocedurer på støvsugeren, skal du slukke den, trække stikket ud af stikkontakten og vente på, at motoren standser.
- 18) Vær meget forsigtig, når du kontrollerer, rengør eller udfører vedligeholdelse på enheden, og brug tykke arbejdshandsker for at beskytte dine hænder.
- 19) Hverken sikkerhedsanordningerne eller strømledningerne skal ændres eller fjernes fra maskinen.
- 20) Når du bruger maskinen, skal den holdes stabil og være på en stabil overflade eller understøttes af kroppen.
- 21) Arbejd kun i fuldt dagslys eller med passende kunstig belysning.
- 22) Vi anbefaler, at du bruger en form for høreværn til dine ører.
- 23) Hvis maskinen vibrerer unormalt, skal du stoppe motoren og lede efter årsagen med det samme. Vibrationer er normalt ensbetydende med et problem.
- 24) Støvsugeren skal kontrolleres korrekt inden hver brug. Brug ikke en maskine, der ikke er i perfekt stand. Hvis du bemærker et problem, der kan udgøre en fare for brugeren, skal du få maskinen repareret, før du bruger den.
- 25) Af sikkerhedsmæssige årsager skal du udskifte slidte eller beskadigede dele. Brug kun reservedele, der er godkendt af producenten. Dele fra andre kilder end producenten passer muligvis ikke ordentligt eller kan være farlige eller forårsage personskader. Strømledningen kan kun udskiftes af specialiserede kundeservicecentre.
- 26) Brug kun støvsugeren på områder, der er tørre og beskyttet mod dårligt vejr. Brug den ikke udenfor, når det regner.
- 27) Opbevar støvsugeren et tørt sted uden for børns rækkevidde.
- 28) Lad ikke strømledningen blive liggende, når rengøringen er afsluttet, da nogen kan risikere at snuble.
- 29) Vær forsigtig, når du tømmer meget tunge tanke.
- 30) For at undgå spontan forbrænding bør du tømme tanken efter hver brug.
- 31) Brug ikke denne maskine til at støvsuge brændbare eller letantændelige væsker såsom benzin, kopimaskinepulver eller flygtige stoffer, og brug ikke maskinen på områder, hvor disse væsker er til stede. Støvsug ikke syrer op.
- 32) Undlad at støvsuge materialer op, der er giftige, kræftfremkaldende, brændbare, og andre farlige materialer, såsom asbest, asbeststøv, arsen, barium, beryllium, bly, pesticider eller andre sundhedsfarlige stoffer.
- 33) Du skal være yderst forsigtig ved støvsugning af træ- eller trækulasker, sod, cement, gips eller gipspladestøv. Disse partikler er ekstremt fine og kan passere gennem filterene og påvirke motorens ydeevne eller blive blæst ud i luften.
- 34) Støvsug ikke noget op, der brænder eller gløder, såsom cigaretter, cigaretskodder, tændstikker eller varm aske.
- 35) Støvsug aldrig saltvand op, da det kan ødelægge motoren.

SPECIFIKKE SIKKERHEDSADVARSLER FOR STØVSUGNING AF ASKE

- Støvsugeren må ikke bruges til separation af farlige stoffer.
- Støvsug ikke sod op!
- Støvsug kun aske af tilladte brændstoffer op!
- Støvsug ikke varme eller brændende genstande eller gløder op (f.eks. cigaretter, trækul, aske osv.). Materialet skal have en temperatur på under 40 °C.
- Forsigtig! Hvis materialets temperatur overstiger 40 °C, er der risiko for brand.
- Vigtigt! Materiale, der udefra ser ud til at være kølet ned, kan stadig være meget varmt indeni. Dette kan afgøres ved at kæmme asken med et metalværktøj, inden enheden bruges. Der vil ikke længere være mærkbar varme, der stråler ud fra den kolde aske.
- Varme askepartikler kan blive antændt igen i luftstrømmen.
- Temperaturer, der overskrider 40 °C, kan beskadige støvsugeren, slangerne og filteret.
- Sørg for, at en ovn er kold, inden du støvsuger den.
- Kontroller løbende rør, filter og støvsuger for høje temperaturer under støvsugningen.
- Hvis du bemærker en temperaturstigning, skal du slukke for støvsugeren med det samme. Træk støvsugerens stik ud af stikkontakten, og fjern filteret. Fjern materialet fra filteret. Lad støvsugeren køle af under opsyn.
- Tøm støvsugeren helt efter støvsugning.

SPECIFIKKE SIKKERHEDSADVARSLER FOR BLÆSNING

- Ret kun udblæsningsluft mod arbejdsområdet. Aldrig mod mennesker eller dyr.
- Risiko for flyvende genstande. Tilskuere skal holde sig på afstand af arbejdsområdet.
- Bær altid beskyttelsesbriller, inden du bruger blæsefunktionen.

Elektrisk sikkerhed

Når du bruger el-maskiner, skal du altid overholde de gældende sikkerhedsbestemmelser i dit land for at reducere risikoen for brand, elektrisk stød og personskader. Læs følgende sikkerhedsanvisninger samt de medfølgende sikkerhedsanvisninger.



Kontrollér altid, at strømforsyningens spænding svarer til spændingen på dydelsesskiltets mærkat.



Klasse II-maskine - Dobbeltisoleret - Du har ikke brug for et jordstik.

Hvis det ikke kan undgås at bruge et maskinværktøj i et fugtigt miljø, bør du anvende en forsyning, der er beskyttet af en fejlstrømsafbryder (RCD). Brugen af en RCD reducerer risikoen for elektrisk stød.

2. MASKINOPLYSNINGER

Tilsigtet brug

Støvsugeren er beregnet til støvsugning af kold aske i hjemmet, for eksempel til rengøring af en pejs, en grill eller andre askerester. Støvsugeren er udstyret med en blæsefunktion. Den kan bruges til at blæse støv og rester ud af garager eller fra terrasser og indkørsler. Enheden er ikke velegnet til kommerciel eller industriel brug.

Model Nr.	VC505AC
Netspænding	220-240V~
Netfrekvens	50-60 Hz
Indgangseffekt	1600W
Kabellængde	3 m
Beskyttelseskategori	Klasse II
Sugekraft	20 kPA, 1,6 m ³ /min
Beholderkapacitet	ca. 20 liter
Filter	HEPA

Slangesystem	35 mm
Slangelængde	1,2 m
Anbefalet filter	VC808AA
Vægt (inkl. alt tilbehør)	ca. 3,3 kg

BESKRIVELSE

Tallene i teksten henviser til diagrammerne på side 2-3.

- Tænd/sluk-kontakt
- Bærehåndtag
- Støvsugerport
- Blæserport
- Metallåseklampe
- Dyseopbevaring
- Beholder
- Topdel
- Slange
- Aluminiumsrør
- HEPA-filter
- Filterholder

3. MONTERING



Før monteringen skal du altid slukke for maskinen og trække netstikket ud af kontakten.

- Skub HEPA-filteret (11) over filterholderen (12) som vist i fig. B.



Rengør HEPA-filteret (11) regelmæssigt og efter hver kraftig anvendelse for at opretholde sugekraften.

- Placer topdelen (8) på beholderen (7) som vist på fig. C1.
- Fastgør beholderens metallåseklamper på topdelen, som vist i fig. C2.
- Luk metallåseklamperne ved at skubbe dem nedad.
- Tilslut sugeslangen (9).
 - Ved støvsugning (fig. D): Slut sugeslangen (9) til støvsugerporten (3).
 - Ved blæsning (fig. E): Slut sugeslangen (9) til blæserporten (4).
- Slut aluminiumsrøret (10) til slangen (9).

4. DRIFT

Sådan tændes den (fig. A):



Støvsuger ikke uden et Hepa-filter!

1. Rul sugeslangen (9) helt ud.
2. Tilslut netstikket.
3. Tryk tænd/sluk-kontakten (1) ind i positionen "ON/1" for at starte din støvsuger.

Sådan slukkes den (fig. A):

Tryk tænd/sluk-kontakten (1) ind i positionen "OFF/0" for at slukke din støvsuger.

Støvsugning (fig. B, C1, C2, D)



Rengør HEPA-filteret (11) regelmæssigt og efter hver kraftig anvendelse for at opretholde sugekraften.



Fint støv, såsom støv fra cement, sod og gips, er for fint til at blive brugt. Der er risiko for, at det kommer ind i motoren og beskadiger den.

1. Sluk (1) for maskinen, og træk netstikket ud af kontakten.
2. Lås op for metallåseklammerne (5) og fjern topdelen (8).
3. Inden støvsugning skal du fjerne alt snavs og alle rester fra beholderen (7).
4. Påmonter filteret. Skub forsigtigt HEPA-filteret (11) over filterholderen (12) som vist i fig. B.
5. Placer topdelen (8) på beholderen (7) som vist på fig. C1.
6. Sæt topdelen (8) på igen, og lås låseklammerne (5). Fig. C2.
7. Indsæt den ene ende af slangen (9) i støvsugerporten (3). Rul sugeslangen (9) helt ud. Fig. D.
8. Tilslut netstikket.
9. Tryk tænd/sluk-kontakten (1) ind i positionen "ON/1" for at starte din støvsuger.
10. Maskinen er nu klar til støvsugning.
11. Tryk tænd/sluk-kontakten (1) ind i positionen "OFF/0" for at slukke din støvsuger.

Blæsefunktion (fig. C1, C2, E)



Drift uden brug af filter anbefales.



Fjern alt snavs og alle rester fra beholderen (7), inden du bruger blæsefunktionen.



Bær altid beskyttelsesbriller, inden du bruger blæsefunktionen.



Risiko for flyvende genstande. Tilskuere skal holde sig på afstand af arbejdsområdet.

Din støvsuger er udstyret med en blæsefunktion. Den kan bruges til at blæse støv og rester ud af garager eller fra terrasser og indkørsler.

1. Sluk (1) for maskinen, og træk netstikket ud af kontakten.
2. Lås op for metallåseklampen (5) og fjern topdelen (8).
3. Inden blæsning skal du fjerne filteret (11) og fjerne alt snavs og alle rester fra beholderen (7).
4. Sæt topdelen (8) på igen, og lås klampen (5). Fig. C1, C2.
5. Indsæt den ene ende af slangen (9) i blæseporten (4) oven på maskinen. Rul sugeslangen (9) helt ud. Fig. E.
6. Tilslut netstikket.
7. Tryk tænd/sluk-kontakten (1) ind i positionen "ON/1" for at starte din støvsuger.
8. Maskinen er nu klar til at blæse støv og rester.
9. Tryk tænd/sluk-kontakten (1) ind i positionen "OFF/0" for at slukke din støvsuger.

Afslut drift (fig. F)

1. Sluk (1) for maskinen, og træk stikket ud.
2. Fjern topdelen (8), og tøm beholderen (7).
3. Rengør maskinen med en blød klud.
4. Frakobl slange, rør og beholder.
5. Rengør slangeforbindelser, slange og rør efter brug, og sørg for, at de ikke er blokerede.
6. Opbevar netkablet og tilbehøret ved maskinen som vist. Opbevar apparatet i et tørt rum.

5. VEDLIGEHOLDELSE



Inden rengøring og vedligeholdelse skal maskinen altid slukkes, og netstikket skal tages ud af stikkontakten.

Rengør maskinbeklædningerne regelmæssigt med en blød klud, helst efter hver anvendelse. Sørg for, at der ikke er støv eller snavs i ventilationsåbningerne. Fjern snavs, der sidder meget godt fast,

med en blød klud, der er fugtet i sæbevand. Brug ikke opløsningsmidler, som f.eks. benzin, sprit, ammoniak osv. Kemikalier som disse beskadiger de syntetiske komponenter.

Filtere (fig. B)



For optimal ydeevne anbefales det regelmæssigt at skifte filteret (11) afhængigt af anvendelsesniveauet.

1. Fjern forsigtigt HEPA-filteret (11).
2. Fjern støvet på HEPA-filteret (11) med en børste, og vask det om nødvendigt
3. Brug ikke rengøringsmidler, opløsningsmidler eller skarpe genstande til nogen form for rengøring af apparatet, herunder det vaskbare HEPA-filter
4. Lad filteret lufttørre inden installation og brug igen.
5. Geninstaller filteret.

MILJØ



Defekte og/eller bortskaffede elektriske og elektroniske apparater skal afleveres på en passende genbrugsstation.

Kun for lande i EU

Maskinværktøj må ikke bortskaffes sammen med husholdningsaffald. Ifølge EU-direktiv 2012/19/EU om affald af elektrisk og elektronisk udstyr og dets gennemførelse i den nationale lovgivning skal maskinværktøjer, der ikke længere anvendes, afleveres separat og bortskaffes på en miljøvenlig måde.

GARANTIVILKÅR

VONROC produkter er udviklet efter de højeste kvalitetsstandarder og er garanteret fri for mangler i såvel materialer som udførelse i den lovpligtige periode, der starter fra datoen for det oprindelige køb. Skulle produktet udvikle nogen fejl i løbet af denne periode på grund af defekte materialer og/eller fabrikationsfejl, så kontakt VONROC direkte.

De følgende forhold er udelukket fra denne garanti:

- Reparationer og eller rettelser er blevet foretaget eller forsøgt foretaget på maskinen af uautoriserede servicecentre.
- Normal slitage.

- Værktøjet har været misligholdt, misbrugt eller vedligeholdt forkert.
- Ikke originale reservedele er blevet anvendt.

Dette udgør den eneste garanti fra virksomheden enten udtrykt eller underforstået. Der er ingen andre garantier udtrykt eller underforstået, som strækker sig ud over forsiden heraf, heri, herunder underforståede garantier for salgbarhed og egnethed til et bestemt formål. VONROC vil under ingen omstændigheder være ansvarlig for hændelige skader eller følgeskader. Forhandlernes afhjælpningsmidler vil være begrænsede til reparation eller udskiftning af fejlbehæftede enheder eller dele.

Produktet og brugermanualen kan ændres. Specifikationer kan ændres uden forudgående varsel.

1. INSTRUKCJE BEZPIECZEŃSTWA

Przeczytać dołączone ostrzeżenia dotyczące bezpieczeństwa, dodatkowe ostrzeżenia dotyczące bezpieczeństwa oraz instrukcję. Nieprzestrzeganie ostrzeżeń dotyczących bezpieczeństwa oraz instrukcji może prowadzić do porażenia prądem, pożaru i/lub poważnych obrażeń ciała. Zachować ostrzeżenia dotyczące bezpieczeństwa oraz instrukcje na przyszłość.

Następujące symbole są umieszczone w instrukcji obsługi lub na produkcie:



Przeczytać instrukcję obsługi.



Oznacza ryzyko obrażeń ciała, śmierci lub uszkodzenia narzędzia w razie nieprzestrzegania poleceń z instrukcji.



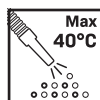
Ryzyko porażenia prądem.



Niezwłocznie odłączyć wtyczkę zasilania sieciowego od gniazdka sieciowego, jeśli przewód zasilania sieciowego zostanie uszkodzony, a także na czas czyszczenia i konserwacji.



Maszyna klasy II - Podwójna izolacja - Nie trzeba stosować wtyczek z uziemieniem.



Wyłącznie do zimnego popiołu! Istnieje ryzyko pożaru, jeśli temperatura wsysanego materiału przekracza 40°C (104°F)!



Jeśli temperatura materiału przekracza 40°C, występuje ryzyko pożaru.



Nie wyrzucać produktu do nieodpowiednich pojemników.



Produkt spełnia wymogi odpowiednich norm bezpieczeństwa podanych w dyrektywach UE.

UWAGI DOTYCZĄCE BEZPIECZEŃSTWA
TO URZĄDZENIE MOŻE BYĆ UŻYWANE PRZEZ DZIECI W WIEKU OD 8 LAT I OSOBY Z OGRANICZONYMI ZDOLNOŚCIAMI FIZYCZNYMI, CZUCIOWYMI LUB UMY-

SŁOWYMI LUB NIEPOSIADAJĄCE DOŚWIADCZENIA I WIEDZY, JEŚLI ZNAJDUJĄ SIĘ ONE POD NADZOREM LUB ZOSTAŁY PRZESZKOLONE Z BEZPIECZNEGO UŻYTKOWANIA URZĄDZENIA I ROZUMIEJĄ ZWIĄZANE Z TYM ZAGROŻENIA. DZIECIOM NIE WOLNO POZWALAĆ BAWIĆ SIĘ URZĄDZENIEM. DZIECIOM BEZ NADZORU NIE WOLNO PRZEPROWADZAĆ CZYSZCZENIA I KONSERWACJI URZĄDZENIA. JEŚLI PRZEWÓD ZASILANIA JEST USZKODZONY, MUSI GO WYMIENIĆ PRODUCENT, JEGO PRZEDSTAWICIEL SERWISOWY LUB PODOBNI, ODPOWIEDNIO WYKWALIFIKOWANA OSOBA, ABY UNIKNĄĆ ZAGROŻENIA. WTYCZKĘ NALEŻY WYJĄĆ Z GNIAZDKA PRZED RÓZPOCZĘCIEM CZYSZCZENIA URZĄDZENIA LUB CZYNNOŚCI KONSERWACYJNYCH DOTYCZĄCYCH URZĄDZENIA.

- 1) Utrzymywać miejsce pracy w czystości: Bałagan w miejscu pracy i na blacie roboczym prowadzi do obrażeń ciała.
- 2) Odkurzacz należy prawidłowo zmontować przed użyciem.
- 3) Używać wyłącznie przedłużaczy zatwierdzonych do użytku na wolnym powietrzu (jeśli odkurzacz jest używany na wolnym powietrzu) i zawsze dopilnowywać, aby były w dobrym stanie.
- 4) Chronić kable elektryczne i, w szczególności, dopilnować, aby nie zostały ściśnięte, pociągnięte lub uszkodzone przez krawędzie, ostre elementy lub ruchome części, ani uszkodzone żrącymi cieczami.
- 5) Nie używać uszkodzonych kabli przedłużeniowych. Nie wykonywać tymczasowych ani stałych modyfikacji kabla ani go nie naprawiać.
- 6) Nie używać odkurzacza z uszkodzonym kablem elektrycznym. Zlecić instalację nowego kabla przez autoryzowany serwis.
- 7) Nie podłączać niczego poza narzędziem do gniazdka, kabli elektrycznych ani przedłużacza.
- 8) Przed podłączeniem odkurzacza do gniazdka elektrycznego dopilnować, aby napięcie i parametry gniazdka były zgodne z oznaczeniami podanymi na naklejce obok kabla.
- 9) Nie ciągnąć urządzenia za kabel.
- 10) Urządzenie należy zawsze wyłączać przed odłączeniem go od gniazdka lub przedłużacza.
- 11) Przed pozostawieniem narzędzia bez nadzoru (nawet na chwilę), wyłączyć je i odłączyć od

- gniazdka. Należy to również zrobić w razie utraty zasilania.
- 12) Nie lekceważać mocy narzędzia. Zawsze utrzymywać równowagę i stabilną pozycję.
 - 13) Nie pozwalać dzieciom i zwierzętom domowym zbliżyć się do urządzenia. Kiedy urządzenie pracuje, wszyscy muszą znajdować się w bezpiecznej odległości.
 - 14) Urządzenia nie powinny używać dzieci ani osoby, które nie znają urządzenia i nie przeczytały tej instrukcji obsługi.
 - 15) Użytkownik urządzenia odpowiada za bezpieczeństwo innych osób podczas użytkowania urządzenia.
 - 16) Odkurzacza wolno używać wyłącznie zgodnie z przeznaczeniem.
 - 17) Przed rozpoczęciem wykonywania prac konserwacyjnych, regulacji lub czyszczenia odkurzacza, wyłączyć go, odłączyć od gniazdka i poczekać na zatrzymanie się silnika.
 - 18) Zachować ostrożność podczas sprawdzania, czyszczenia lub konserwacji urządzenia i nosić grube rękawice robocze w celu ochrony dłoni.
 - 19) Urządzeń zabezpieczających i kabli elektrycznych nie wolno modyfikować ani usuwać z urządzenia.
 - 20) Podczas korzystania z urządzenia należy je utrzymywać w stabilnej pozycji na stabilnej powierzchni lub opierać je o ciało.
 - 21) Pracować wyłącznie w świetle dziennym lub przy właściwym sztucznym oświetleniu.
 - 22) Zalecamy korzystanie ze środków ochrony słuchu.
 - 23) Jeśli urządzenie nietypowo wibruje, niezwłocznie zatrzymać silnik i poszukać przyczyny. Wibracje zwykle oznaczają problem.
 - 24) Odkurzacza należy prawidłowo sprawdzić przed każdym użyciem. Nie używać urządzenia, które nie jest w idealnym stanie. W razie zauważenia problemu, który może stanowić zagrożenie dla użytkownika, zlecić naprawę urządzenia przed jego ponownym użyciem.
 - 25) Ze względów bezpieczeństwa wymieniać zużyte lub uszkodzone części. Używać wyłącznie części zamiennych zatwierdzonych przez producenta. Części pochodzące ze źródeł innych niż producent urządzenia mogą nie pasować prawidłowo, być niebezpieczne lub spowodować obrażenia ciała. Kabel zasilający może wymienić wyłącznie pracownik serwisu.
 - 26) Używać odkurzacza wyłącznie w miejscach suchych i chronionych przed niekorzystnymi warunkami atmosferycznymi. Nie używać odkurzacza na wolnym powietrzu podczas deszczu.
 - 27) Przechowywać odkurzacza w suchym miejscu niedostępnym dla dzieci.
 - 28) Nie pozostawiać kabla zasilającego po zakończeniu odkurzania, bo ktoś może się o niego potknąć.
 - 29) Zachować ostrożność podczas opróżniania bardzo ciężkich zbiorników.
 - 30) Aby uniknąć samozapłonu, opróżniać zbiornik po każdym użyciu.
 - 31) Nie używać tego urządzenia do wsysania łatwopalnych lub palnych cieczy, jak benzyna, proszek do fotokopierek, albo substancji lotnych. Nie używać również urządzenia w miejscach, gdzie występują takie ciecze. Nie wsysać kwasów.
 - 32) Nie wsysać żadnych materiałów toksycznych, rakotwórczych, palnych, ani innych niebezpiecznych materiałów, jak azbest, pył azbestowy, arsen, bar, beryl, ołów, pestycydy, bądź innych substancji niebezpiecznych dla zdrowia.
 - 33) Zachować szczególną ostrożność podczas wsysania popiołu drzewnego lub popiołu z węgla drzewnego, sadzy, cementu, tynku lub pyłu z płyt gipsowo-kartonowych. Takie cząsteczki są bardzo drobne i mogą przedostawać się przez filtry, obniżając wydajność silnika, albo zostać wydmuchane w powietrze.
 - 34) Nie wsysać żadnych materiałów, które się palą lub tlą, jak papierosy, niedopałki, zapalniczki lub gorący popiół.
 - 35) Nigdy nie wsysać stoney wody, gdyż może ona zniszczyć silnik.

SZCZEGÓLNE OSTRZEŻENIA DOTYCZĄCE BEZPIECZEŃSTWA I WYSANIA POPIOŁU

- a) Odkurzacza nie wolno używać do oddzielania substancji niebezpiecznych.
- b) Nie wsysać sadzy!
- c) Wsysać wyłącznie popiół dopuszczalnych paliw!
- d) Nie wsysać gorących, płonących ani żarzących się przedmiotów (jak papierosy, węgiel drzewny, popiół itp.). Temperatura materiały nie może przekraczać 40°C.
- e) Przestroga! Jeśli temperatura materiału przekracza 40°C, występuje ryzyko pożaru.
- f) Uwaga! Materiał, który może wydawać się zimny z zewnątrz, może nadal być bardzo gorący wewnątrz. Można to sprawdzić, przeczesując popiół metalowym narzędziem przed użyciem urządzenia. Zimny popiół nie powinien już emitować zauważalnego ciepła.

- g) Gorące cząsteczki popiołu mogą się rozpaść w strumieniu powietrza.
- h) Temperatura powyżej 40°C może uszkodzić odkurzacza, węże i filtr.
- i) Dopilnować, aby piekarnik był zimny przed jego odkurzeniem.
- j) Regularnie sprawdzać rury, filtr i odkurzacza pod kątem nadmiernej temperatury podczas odkurzania.
- k) W razie zauważenia wzrostu temperatury, niezwłocznie wyłączyć odkurzacza. Odłączyć odkurzacza od zasilania sieciowego i wyjąć filtr. Usunąć materiał z filtra. Poczekać, aż odkurzacza ostygnie pod nadzorem.
- l) Całkowicie opróżnić odkurzacza po odkurzaniu.

SZCZEGÓLNE OSTRZEŻENIA DOTYCZĄCE ZDMUCHIWANIA

- a) Kierować strumień powietrza wyłącznie na obszar roboczy. Nigdy nie kierować strumienia na ludzi lub zwierzęta.
- b) Ryzyko wyrzucenia przedmiotów w powietrze. Nie pozwalać osobom postronnym zbliżyć się do obszaru pracy.
- c) Zawsze zakładać okulary ochronne przed rozpoczęciem korzystania z funkcji dmuchawy.

Bezpieczeństwo elektryczne

Podczas korzystania z elektronarzędzi należy zawsze przestrzegać krajowych przepisów BHP w celu ograniczenia ryzyka pożaru, porażenia prądem i obrażeń ciała. Przeczytać poniższe instrukcje dotyczące bezpieczeństwa oraz dołączone instrukcje dotyczące bezpieczeństwa.



Zawsze sprawdzać, czy napięcie zasilania jest zgodne z napięciem podanym na tabliczce znamionowej.



Maszyna klasy II - Podwójna izolacja - Nie trzeba stosować wtyczek z uziemieniem.

Jeśli obsługa elektronarzędzia w wilgotnym miejscu jest nieunikniona, użyć zasilania wyposażonego w wyłącznik różnicowoprądowy. Użycie wyłącznika różnicowoprądowego zmniejsza ryzyko porażenia prądem.

2. INFORMACJE O MASZYNIE

Przeznaczenie

Odkurzacza jest przeznaczony do wssania zimnego popiołu w zastosowaniach domowych, np. czyszczenia kominka, grilla lub też innych osadów z pyłów. Odkurzacza ma funkcję dmuchawy. Można jej używać do zdmuchiwanie pyłu, kurzu i resztek w garażach lub na tarasach i podjazdach. To urządzenie nie jest przeznaczone do użytku komercyjnego ani przemysłowego.

DANE TECHNICZNE

Nr modelu	VC505AC
Napięcie sieciowe	220-240V~
Elektros tinklo dažnis	50-60 Hz
Pobór mocy	1600W
Długość kabla	3m
Stopień ochrony	Class II
Siła ssania	20 kPa, 1,6 m³/min
Pojemność zbiornika	około 20 L
Filtr	HEPA
Przyłącze węża	Ø35mm
Długość węża	1,2m
Zalecany filtr	VC808AC
Masa (z wszystkimi akcesoriami)	około 3,3 kg

OPIS

Liczby w tekście odnoszą się do rysunków na stronie 2-3.

1. Włacznik
2. Rączka do przenoszenia
3. Gniazdo wlotowe
4. Gniazdo wylotowe
5. Metalowy zatrzaśk
6. Uchwyt do dyszy
7. Zbiornik
8. Część górna
9. Wąż
10. Rura aluminiowa
11. Filtr HEPA
12. Mocowanie filtra

3. MONTAŻ



Przed rozpoczęciem montażu zawsze wyłączać maszynę i wyjmować wtyczkę zasilania sieciowego z gniazdka.

- Nasunąć filtr HEPA (11) na mocowanie filtra (12) zgodnie z rys. B.



Czyścić filtr HEPA (11) regularnie i po każdym intensywnym użyciu, aby zachować moc ssania.

- Założyć część górną (8) na zbiornik (7) zgodnie z rys. C1.
- Zamocować metalowe zatrzaski zbiornika do górnej części zgodnie z rys. C2
- Zamknąć metalowe zatrzaski, wciskając je w dół.
- Podłączyć wąż ssący (9).
 - Do odkurzania (rys. D) podłączyć wąż ssący (9) do gniazda wlotowego (3).
 - Do zdmuchiwania (rys. E) podłączyć wąż ssący (9) do gniazda wylotowego (4).
- Podłączyć rurę aluminiową (10) do węża (9)

4. OBSŁUGA

Włączanie (rys. A):



Nie odkurzać bez filtra HEPA!

- Całkowicie rozwinąć wąż ssący (9).
- Podłączyć wtyczkę do gniazdka zasilania.
- Wcisnąć włącznik (1) w położenie „ON/1”, aby włączyć odkurzacz.

Wyłączanie (rys. A):

Wcisnąć włącznik (1) w położenie „OFF/0”, aby wyłączyć odkurzacz.

Odkurzanie (rys. B, C1, C2, D)



Czyścić filtr HEPA (11) regularnie i po każdym intensywnym użyciu, aby zachować moc ssania.



Drobny pył, np. z cementu, sadzy i tynku, jest zbyt drobny, aby mógł go wyłapywać, może przedostać się do silnika i spowodować jego uszkodzenie.

- Wyłączyć (1) maszynę i wyjąć wtyczkę zasilania sieciowego z gniazdka.
- Otworzyć metalowy zatrzask (5) i zdjąć górną część (8).
- Przed rozpoczęciem odkurzania usunąć wszelkie zanieczyszczenia i resztki ze zbiornika (7).
- Zamontować filtr. Ostrożnie nasunąć filtr HEPA (11) na mocowanie filtra (12) zgodnie z rys. B.
- Założyć część górną (8) na zbiornik (7) zgodnie z rys. C1.
- Zamontować górną część (8) na miejsce i zamknąć zatrzask blokujący (5). Rys. C2.
- Włożyć jeden koniec węża (9) w gniazdo wlotowe (3). Całkowicie rozwinąć wąż ssący (9).
- Podłączyć wtyczkę do gniazdka zasilania. Rys. D.
- Wcisnąć włącznik (1) w położenie „ON/1”, aby włączyć odkurzacz.
- Urządzenie jest teraz gotowe do odkurzania na sucho.
- Wcisnąć włącznik (1) w położenie „OFF/0”, aby wyłączyć odkurzacz.

Funkcja dmuchawy (rys. C1, C2, E)



Zalecamy używanie odkurzacza w trybie bez filtra.



Usunąć wszystkie zanieczyszczenia i resztki ze zbiornika (7) przed użyciem funkcji dmuchawy.



Zawsze zakładać okulary ochronne przed rozpoczęciem korzystania z funkcji dmuchawy.



Ryzyko wyrzucenia przedmiotów w powietrze. Nie pozwalać osobom postronnym zbliżyć się do obszaru pracy.

Odkurzacz ma funkcję dmuchawy. Można jej używać do zdmuchiwania pyłu, kurzu i resztek w garażach lub na tarasach i podjazdach.

- Wyłączyć (1) maszynę i wyjąć wtyczkę zasilania sieciowego z gniazdka.
- Otworzyć zatrzask blokujący (5) i zdjąć górną część (8).
- Przed dmuchaniem usunąć filtr (11) i usunąć wszystkie zanieczyszczenia i resztki ze zbiornika (7).
- Zamontować górną część (8) na miejsce i zamknąć zatrzask blokujący (5). Rys. C1, C2
- Włożyć jeden koniec węża (9) w gniazdo wylotowe (4).

towe (4) z tyłu urządzenia. Całkowicie rozwinąć wąż ssący (9). Rys. E

6. Podłączyć wtyczkę do gniazdka zasilania.
7. Wcisnąć włącznik (1) w położenie „ON/1”, aby włączyć odkurzacz.
8. Urządzenie jest teraz gotowe do zdmuchiwania pyłu i zanieczyszczeń.
9. Wcisnąć włącznik (1) w położenie „OFF/0”, aby wyłączyć odkurzacz.

Kończenie pracy (rys. F)

1. Wyłączyć (1) maszynę i wyjąć wtyczkę zasilania sieciowego z gniazdka.
2. Zdjąć górną część (8) i opróżnić zbiornik (7).
3. Oczyszczyć urządzenie suchą ściereczką.
4. Odłączyć wąż, rurę i zbiornik.
5. Oczyszczyć złącza węża, wąż i rurę po użyciu i utrzymywać je wolne od zatorów.
6. Zamocować kabel zasilający i akcesoria na maszynie zgodnie z rysunkiem. Przechowywać urządzenie w suchym pomieszczeniu.

5. KONSERWACJA



Zawsze odłączać narzędzie od zasilania sieciowego przed rozpoczęciem przeprowadzania jakichkolwiek prac konserwacyjnych.

Czyścić obudowę maszyny regularnie miękką ściereczką, najlepiej po każdym użyciu. Dopiłnować, aby otwory wentylacyjne były wolne od pyłu, kurzu i zabrudzeń. Usuwać odporne zabrudzenia miękką ściereczką zwilżoną mydlinami. Nie używać żadnych rozpuszczalników, takich jak benzyna, alkohol, amoniak itp. Takie substancje chemiczne spowodują uszkodzenie części z tworzyw sztucznych.

Filtry (rys. B)



W celu zapewnienia optymalnej wydajności zaleca się regularną wymianę filtrów (11) w zależności od ich zużycia.

1. Ostrożnie wyjąć filtr HEPA (11).
2. Oczyszczyć pył z filtra HEPA (11) szczotką i, w razie konieczności, myć go
3. Nie używać produktów czyszczących, rozpuszczalników ani ostrych przedmiotów do czyszczenia urządzenia, w tym zmywalnego filtra HEPA.
4. Pozostawić filtr do wyschnięcia przed jego ponownym montażem i użyciem.
5. Zamontować filtr na miejsce.

ŚRODOWISKO



Uszkodzone i/lub niepotrzebne urządzenia elektryczne lub elektroniczne podlegają zbiórce w odpowiednich punktach recyklingu.

Tylko kraje WE

Nie wyrzucać elektronarzędzi wraz z odpadami z gospodarstw domowych. Zgodnie z dyrektywą 2012/19/WE dotyczącą zużytych urządzeń elektrycznych i elektronicznych oraz jej wdrożeniem do prawodawstwa krajowego, elektronarzędzia, które już nie nadają się do użytku, podlegają oddzielnej zbiórce oraz utylizacji w sposób przyjazny dla środowiska.

GWARANCJA

Produkty VONROC są wytwarzane zgodnie z najwyższymi standardami jakości i producent udziela gwarancji na wady materiałowe i wady wykonania na okres wymagany prawem, licząc od dnia zakupu. Jeśli wystąpi usterka produktu w tym okresie spowodowana wadą materiałową i/lub wadą wykonania, proszę bezpośrednio skontaktować się ze sprzedawcą VONROC.

Następujące okoliczności powodują unieważnienie gwarancji:

- Przeprowadzono naprawy lub modyfikacje narzędzia w serwisie innym lub autoryzowany lub podjęto ich próbę;
- Normalne zużycie nie jest objęte gwarancją;
- Narzędzie było używane niezgodnie z przeznaczeniem, zle z nim się obchodzono lub było nieprawidłowo konserwowane;
- Użyto części zamiennych innych niż oryginalne.

Niniejsza gwarancja to wyłączna gwarancja producenta i nie obowiązują żadne inne wyrażone ani dorozumiane gwarancje. Nie obowiązują żadne inne wyrażone ani dorozumiane gwarancje o zakresie przekraczającym niniejszą gwarancję, co obejmuje dorozumiane gwarancje przydatności do sprzedaży i przydatności do określonego celu. W żadnym przypadku firma VONROC nie ponosi odpowiedzialności za straty przypadkowe lub wynikowe. Zadośćuczynienie sprzedawcy jest ograniczone do naprawy lub wymiany niezgodnych urządzeń lub części.

Produkt i instrukcja obsługi podlegają zmianom. Dane techniczne podlegają zmianom bez uprzedzenia.

1. INSTRUCȚIUNI DE SIGURANȚĂ

Citiți avertizarea de siguranță, avertizarea de siguranță suplimentară și instrucțiunile. Nerespectarea avertizărilor de siguranță poate cauza producerea de electrocutări, incendii și/sau răniri grave. Păstrați avertizările de siguranță și instrucțiunile pentru referințe viitoare.

În manualul de utilizare sau pe produs se utilizează următoarele simboluri:



Citiți manualul de utilizare.



Indica riscul de ranire personala, pierderea vietii sau deteriorarea sculei în cazul în care nu se respecta instructiunile din acest manual.



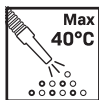
Pericol de electrocutare.



Îndepartati imediat fisa de la priza de retea în cazul în care cablul de alimentare se deterioreaza în timpul procedurilor de curatare si de intretinere.



Masina clasa II - Izolatie dubla - Nu aveti nevoie de nicio priza de împământare.



Numai pentru cenușă rece! Există riscul de incendiu dacă materialul de aspirație depășește temperatura de 40°C (104°F)!



Dacă temperatura materialului depășește 40°C, există riscul de incendiu.



Nu scoateti din uz produsul în containere neadecvate.



Produsul este în conformitate cu standardele de siguranță aplicabile din directivele europene.

NOTE DE SIGURANȚĂ

ACEST APARAT POATE FI UTILIZAT DE COPIII CU VÂRSTA DE PESTE 8 ANI ȘI DE CĂTRE PERSOANE CU CAPACITĂȚI FIZICE, SENZORIALE SAU MENTALE REDUSE SAU DE CĂTRE PERSOANE LIPSITE DE EXPERIENȚĂ ȘI CUNOȘTIINȚE DACĂ ACESTEA

AU FOST SUPRAVEGHEATE ȘI INSTRUITE CU PRIVIRE LA UTILIZAREA APARATULUI ÎN CONDIȚII DE SIGURANȚĂ ȘI ÎNȚELEGERISCURILE PE CARE LE IMPLICĂ. COPII NU AU VOIE SĂ SE JOACE CU APARATUL. CURĂȚAREA ȘI OPERAȚIUNILE DE ÎNTREȚINERE NU TREBUIE EFECTUATE DE COPII FĂRĂ SUPRAVEGHERE. ÎN CAZUL ÎN CARE CABLUL DE ALIMENTARE ESTE DETERIORAT, ACESTA TREBUIE ÎNLOCUIT DE CĂTRE PRODUCĂTOR, DE CĂTRE AGENTUL DE SERVICE SAU DE CĂTRE PERSOANE CALIFICATE ÎN MOD SIMILAR, PENTRU A EVITA PERICOLELE. ÎNAINTE DE CURĂȚAREA SAU ÎNTREȚINEREA ACESTUI APARAT, ȘTECHERUL TREBUIE SCOS DIN PRIZĂ.

- 1) Păstrați zona de siguranța lucru curată: Zonele de lucru aglomerate și bancurile de lucru sunt o sursă de rănire.
- 2) Aspiratorul trebuie montat corespunzător înainte de utilizare.
- 3) Folosiți numai prelungitoare omologate pentru utilizare în exterior (când aspiratorul este utilizat în exterior) și asigurați-vă că acestea sunt întotdeauna în stare bună.
- 4) Protejați cablurile electrice și, în special, asigurați-vă că acestea nu sunt strivite, trase sau deteriorate de margini, piese ascuțite sau piese mobile; sau deteriorate de lichide corozive.
- 5) Nu utilizați un cablu prelungitor deteriorat. Nu efectuați nicio reparație permanentă sau temporară a cablului.
- 6) Nu utilizați un aspirator care are un cablu electric deteriorat. Montați un cablu nou la un centru de service autorizat.
- 7) Nu atașați nimic altceva la priză, cabluri electrice sau prelungitor.
- 8) Înainte de a conecta aspiratorul la priză, asigurați-vă că tensiunea și cerințele de priză se potrivesc cu cele indicate pe etichetă lângă cablu.
- 9) Nu trageți dispozitivul de cablu.
- 10) Aparatul trebuie întotdeauna oprit înainte de al deconecta de la priză sau de la cablul prelungitor.
- 11) Înainte de a lăsa dispozitivul nesupravegheat (chiar și pentru o perioadă scurtă de timp) opriți-l și deconectați-l de la priză. Acest lucru ar trebui făcut și dacă există o întrerupere de alimentare.
- 12) Nu subestimați puterea. Mențineți întotdeauna o poziție echilibrată și stabilă.

- 13) Țineți copiii și animalele de companie la distanță de aparat. Când aparatul funcționează, toată lumea ar trebui să stea la o distanță sigură.
- 14) Dispozitivul nu trebuie utilizat de copii sau de persoane care nu sunt familiarizate cu dispozitivul sau care nu au citit acest manual de instrucțiuni.
- 15) Utilizatorul dispozitivului este responsabil pentru siguranța celorlalți în timpul utilizării acestuia.
- 16) Aspiratorul trebuie utilizat numai în scopurile prevăzute.
- 17) Înainte de a efectua orice proceduri de întreținere, reglare sau curățare a aspiratorului, opriți-l, deconectați-l de la priza electrică și așteptați oprirea motorului.
- 18) Aveți mare grijă când verificați, curățați sau efectuați întreținerea dispozitivului și purtați mănuși groase de lucru pentru a vă proteja mâinile.
- 19) Nici dispozitivele de securitate, nici cablurile electrice nu trebuie modificate sau scoase din aparat.
- 20) Când utilizați aparatul, acesta trebuie menținut staționar și pe o suprafață stabilă sau susținută de corp.
- 21) Lucrați numai în plină zi sau cu lumină artificială adecvată.
- 22) Vă recomandăm să utilizați un anumit tip de protecție auditivă pentru urechi.
- 23) Dacă aparatul vibrează anormal, opriți motorul și căutați imediat cauza. Vibrațiile înseamnă de obicei o problemă.
- 24) Aspiratorul trebuie verificat corespunzător înainte de fiecare utilizare. Nu utilizați un aparat care nu este în stare perfectă. Dacă observați o problemă care ar putea constitui un pericol pentru utilizator, reparați aparatul înainte de a-l utiliza.
- 25) Din motive de siguranță, înlocuiți piesele uzate sau deteriorate. Utilizați numai piesele de schimb recomandate de utilizator. Este posibil ca piese din alte surse decât producătorul să nu se potrivească corect sau să fie periculoase sau să provoace răni. Cablul de alimentare poate fi înlocuit doar la centre specializate de service.
- 26) Utilizați aspiratorul numai în zone uscate și protejate de intemperii. Nu-l folosiți în exterior când plouă.
- 27) Păstrați aspiratorul într-un loc uscat, la îndemâna copiilor.
- 28) Nu lăsați cablul de alimentare întins după ce ați făcut curățarea; cineva ar putea să se împiedice.
- 29) Aveți grijă la golirea recipientelor extrem de grele.
- 30) Pentru a evita combustia spontană, goliți rezervorul după fiecare utilizare.
- 31) Nu utilizați această mașină pentru a aspira lichide inflamabile sau combustibile, cum ar fi benzină, praf de la fotocopiator sau substanțe volatile; și nu utilizați aparatul în zonele în care sunt prezente acestea. Nu aspirați acizi.
- 32) Nu aspirați niciun material care este toxic, poate provoca cancer, poate fi combustibil sau alte materiale periculoase, precum azbest, praf de azbest, arsenic, bariu, beriliu, plumb, pesticide sau orice alte substanțe periculoase pentru sănătatea dvs.
- 33) Trebuie folosită o precauție extremă la aspirarea prafului de lemn sau cărbune, funingine, ciment, ipsos sau praf de gips-carton. Aceste particule sunt extrem de fine și pot trece prin filtrele care afectează performanța motorului sau pot fi suflate în aer.
- 34) Nu aspirați nimic care arde sau fumează, cum ar fi țigări, chibrituri sau cenușă fierbinte.
- 35) Nu aspirați niciodată apă sărată; poate distruge motorul.

AVERTIZĂRI SPECIFICE DE SIGURANȚĂ PRIVIND ASPIRAREA CENUȘEI

- Aspiratorul nu trebuie utilizat pentru separarea substanțelor periculoase.
- Nu aspirați funinginea!
- Aspirați doar cenușa combustibililor permiși!
- Nu aspirați materiale sau jar fierbinți sau în flăcări (de exemplu, țigări, cărbune, cenușă etc.). Temperatura materialului trebuie să fie sub 40°C.
- Atenție! Dacă temperatura materialului depășește 40°C, există riscul de incendiu.
- Atenție! Materialul care pare să se fi răcit din exterior poate fi încă foarte fierbinte în interior. Acest lucru poate fi determinat prin „pieptănarea” cenușii cu un instrument metalic înainte de a utiliza dispozitivul. Nu va mai exista căldură vizibilă care iradiază din cenușa rece.
- Particulele fierbinți de cenușă se pot aprinde din nou în fluxul de aer.
- Temperaturile care depășesc 40°C pot deteriora aspiratorul, furtunurile și filtrul.
- Vă rugăm să vă asigurați că cuptorul este rece înainte de a-l curăța.
- Verificați continuu tuburile, filtrul și aspiratorul pentru temperaturi excesive în timpul aspirării.

- k) Dacă observați o creștere a temperaturii, opriți imediat aspiratorul. Deconectați aspiratorul de la rețea și scoateți filtrul. Scoateți materialul din filtru. Lăsați aspiratorul să se răcească sub supraveghere.
- l) Goliți complet aspiratorul după aspirare.

AVERTIZĂRI SPECIFICE DE SIGURANȚĂ PRIVIND SUFLAREA

- a) Evacuare directă a aerului numai în zona de lucru. Niciodată către oameni sau animale.
- b) Pericol de aruncare a obiectelor. Nu permiteți accesul altor persoane în zona de lucru.
- c) Purtați întotdeauna ochelari de protecție înainte de a utiliza funcția de suflare.

Instrucțiuni de siguranță privind alimentarea electrică

Atunci când folosiți mașini electrice, respectați întotdeauna reglementările de siguranță aplicabile în țara dumneavoastră, pentru a reduce riscul de incendii, electrocutare și rănire personală. Citiți următoarele instrucțiuni de siguranță și, de asemenea, instrucțiunile de siguranță atașate.



Verificați întotdeauna dacă tensiunea rețelei electrice de alimentare tensiunii de pe plăcuța indicatoare a caracteristicilor tehnice.



Mașină clasa II - Izolație dublă - Nu aveți nevoie de nicio priză de împământare.

În cazul în care este necesară operarea sculei electrice într-o locație cu umiditate, folosiți un dispozitiv de curent rezidual (RCD) cu alimentare protejată. Utilizarea unui RCD reduce riscul de electrocutare.

2. INFORMATII CU PRIVIRE LA MASINA

Domeniul de utilizare

Aspiratorul este destinat aspirării cenușii reci domestice, de exemplu, curățării unui șemineu, a grătarului sau a altor reziduuri de cenușă. Aspiratorul este prevăzut cu o funcție de suflare. Poate fi folosit pentru a arunca praful și resturile din garaje sau de pe terase și alee. Aparatul nu este potrivit pentru uz comercial sau industrial.

Nr. model	VC505AC
Tensiune rețea	220-240V~
Frecvența prizei	50-60 Hz
Putere de alimentare	1600W
Lungime cablu	3m
Categoria de protecție	Clasa II
Forța de aspirație	20 kPa, 1,6 m ³ /min
Capacitate rezervor	aprox. 20 L
Filtru	HEPA
Sistem furtun	35mm
Lungime furtun	1.2m
Filtru recomandat	VC808AA
Greutate (incl. toate accesoriile)	aprox. 3,3 kg

DESCRIERE

Numerele din text se refera la diagramele de la paginile 2-3.

1. Comutator pornire/oprire
2. Mâner de transport
3. Port de aspirare
4. Port de suflare
5. Clemă de blocare metalică
6. Depozitare duze
7. Recipient
8. Secțiunea superioară
9. Furtun
10. Tub de aluminiu
11. Filtru HEPA
12. Suport filtru

3. ASAMBLARE



Înainte de asamblare, opriți alimentarea electrică a mașinii și deconectați fișa cablului de alimentare de la priza de rețea.

- Glisați filtrul HEPA (11) peste suportul filtrului (12) așa cum se arată în Fig. B.



Curățați filtrul HEPA (11) în mod regulat și după fiecare utilizare intensă pentru a menține puterea de aspirație.

- Așezați secțiunea superioară (8) pe recipient (7) așa cum se arată în Fig. C1.
 - Fixați clemele metalice de blocare ale recipientului la secțiunea superioară așa cum se arată în Fig. C2.
 - Închideți clemele de blocare metalice împingându-le în jos.
 - Conectați furtunul de aspirație (9).
 - Pentru aspirare (Fig. D): Conectați furtunul de aspirație (9) la orificiul port de aspirare (3).
 - Pentru suflare (Fig. E): Conectați furtunul de aspirație (9) la orificiul de suflare (4).
 - Conectați tubul de aluminiu (10) la furtun (9).
7. Introduceți un capăt al furtunului (9) în orificiul de aspirare (3). Desfaceți complet furtunul de aspirație (9). Fig. D.
 8. Conectați la rețeaua de alimentare.
 9. Apăsăți comutatorul de alimentare (1) în poziția „PORNIT/1” pentru a porni aspiratorul.
 10. Aparatul este acum gata de utilizare pentru aspirare.
 11. Apăsăți comutatorul de alimentare (1) în poziția „OPRIT/0” pentru a opri aspiratorul.

4. ÎNAINTE

Pornirea (Fig. A):



Nu aspirați fără un filtru Hepa!

1. Desfaceți complet furtunul de aspirație (9).
2. Conectați la rețeaua de alimentare.
3. Apăsăți comutatorul de alimentare (1) în poziția „PORNIT/1” pentru a porni aspiratorul.

Oprirea (Fig. A):

Apăsăți comutatorul de alimentare (1) în poziția „OPRIT/0” pentru a opri aspiratorul.

Aspirarea (Fig. B, C1, C2, D)



Curățați filtrul HEPA (11) în mod regulat și după fiecare utilizare intensă pentru a menține puterea de aspirație.



Praful fin, precum praful din ciment, funingine și tencuială, este prea fin pentru a fi folosit. Risc să pătrundeți în motor și să îl deteriorați.

1. Opriti (1) mașina și scoateți ștecherul de la rețea.
2. Deblocați clemele metalice de blocare (5) și scoateți secțiunea superioară (8).
3. Înainte de aspirare, îndepărtați toată murdăria și resturile din recipient (7).
4. Montați filtrul. Glisați cu grijă filtrul HEPA (11) peste suportul filtrului (12) așa cum se arată în Fig. B.
5. Așezați secțiunea superioară (8) pe recipient (7) așa cum se arată în Fig. C1.
6. Atașați din nou secțiunea superioară (8) și blocați clemele de blocare (5). Fig C2.

Funcția de suflare (Fig. C1, C2, E)



Se recomandă operarea fără utilizarea unui filtru.



Îndepărtați toată murdăria și resturile din recipient (7) înainte de a utiliza funcția de suflare.



Purtați întotdeauna ochelari de protecție înainte de a utiliza funcția de suflare.



Pericol de obiecte zburătoare. Nu permiteți accesul altor persoane în zona de lucru.

Aspiratorul dvs. este echipat cu o funcție de suflare. Poate fi folosit pentru a arunca praful și resturile din garaje sau de pe terase și alee.

1. Opriti (1) mașina și scoateți ștecherul de la rețea.
2. Deblocați clema de blocare (5) și scoateți secțiunea superioară (8).
3. Înainte de suflare, scoateți filtrul (11) și îndepărtați toată murdăria și resturile din recipient (7).
4. Atașați din nou secțiunea superioară (8) și blocați clema de blocare (5). Fig. C1, C2.
5. Introduceți un capăt al furtunului (9) în orificiul de suflare (4) de deasupra aparatului. Desfaceți complet furtunul de aspirație (9). Fig. E.
6. Conectați la rețeaua de alimentare.
7. Apăsăți comutatorul de alimentare (1) în poziția „PORNIT/1” pentru a porni aspiratorul.
8. Aparatul este acum pregătit pentru suflarea prafului și a resturilor.
9. Apăsăți comutatorul de alimentare (1) în poziția „OPRIT/0” pentru a opri aspiratorul.

Terminarea operațiunii (Fig. F)

1. Opriiți (1) aparatul și deconectați ștecherul.
2. Scoateți secțiunea superioară (8) și goliți recipientul (7).
3. Curățați aparatul cu o cârpă moale și umedă.
4. Deconectați furtunul, tubul și recipientul.
5. Curățați conectorii furtunului, furtunul și tubul după utilizare și păstrați-i deblocați.
6. Depozitați cablul de rețea și accesoriul pe aparat, așa cum este indicat. Depozitați aparatul într-un loc uscat.

5. ÎNTREȚINERE

Înainte de curățare și întreținere, opriiți alimentarea electrică a mașinii și deconectați fișa cablului de alimentare de la priza de rețea.

Curățați regulat carcasa cu o cârpă moale, de preferat după fiecare utilizare. Curățați fantele de aerisire de praf și murdărie. Îndepărtați murdăria persistentă cu o cârpă moale înmuiată în clăbuci de săpun. Nu folosiți solvenți precum benzină, alcool, amoniac, etc. Astfel de substanțe chimice vor deteriora componentele sintetice.

Filtre (Fig. B)

Pentru performanțe optime, se recomandă schimbarea regulată a filtrului (11) în funcție de nivelul de utilizare.

1. Scoateți cu atenție filtrul HEPA (11).
2. Curățați praful de pe filtrul HEPA (11) cu peria și, dacă este necesar, spălați-l.
3. Nu utilizați produse de curățat, solvenți sau obiecte ascuțite pentru orice curățare a aparatului, acesta include filtrul HEPA lavabil.
4. Lăsați filtrul să se usuce la aer înainte de instalare și reutilizare.
5. Reinstalați filtrul.

MEDIU ÎNCONJURĂTOR

Aparatele electrice sau electronice deteriorate și/sau defecte trebuie colectate în locurile de reciclare corespunzătoare.

Numai pentru țările din CE

Nu aruncați echipamentele actionate electric împreună cu gunoiul menajer. Conform Indicației europene 2012/19/EU pentru echipamente electrice și electronice uzate și a implementării sale la nivel național, echipamentele actionate electric scoase din uz trebuie colectate separat și evacuate într-o manieră ecologică.

GARANȚIE

Produsele VONROC sunt realizate la cele mai înalte standarde de calitate și sunt garantate în privința materialelor și a manoperei pentru întreaga perioadă de utilizare în garanție, începând cu data achiziției. În cazul în care produsul se defectează în timpul perioadei de utilizare, contactați direct VONROC.

Următoarele circumstanțe sunt excluse de la această garanție:

- Reparațiile sau modificările care realizate sau care s-au încercat a fi efectuate de centre de service neautorizate.
- Uzura în condiții normale.
- Unealta care a fost abuzată, utilizată într-un mod neglijent sau întreținută în mod inadecvat.
- Folosirea unor piese de schimb neoriginale.

Aceasta acoperă garanția companiei, explicită sau implicită. Nu există alte garanții explicite sau implicite care să se extindă dincolo de cele indicate aici, incluzând garanțiile, vandabilitatea sau adecvarea pentru un anumit scop. În nicio situație, VONROC nu este responsabil pentru daunele incidentale sau consecvențiale. Reparațiile efectuate de reprezentant trebuie să fie limitate la reparațiile sau la înlocuirea unităților sau a pieselor neconforme.

Produsul și manualul de utilizare pot suferi modificări. Specificațiile se pot modifica fără notificare prealabilă.

1. GÜVENLİK TALİMATLARI

Ekteki güvenlik uyarılarını, ilave güvenlik uyarılarını ve talimatları okuyun. Güvenlik uyarılarını ve talimatları izlememek elektrik çarpması, yangın ve/veya ciddi yaralanma ile sonuçlanabilir. Güvenlik uyarılarını ve talimatları ilerde bakmak üzere muhafaza edin.

Aşağıdaki semboller kullanıcı kılavuzunda veya ürün üzerinde kullanılmaktadır:



Kullanıcı kılavuzunu okuyun.



Bu kılavuzdaki talimatlara uymama durumunda bedensel yaralanma, can kaybı veya alete hasat riskini belirtir.



Elektrik çarpması riski.



Sebeke kablosu temizlik ve bakım sırasında hasar görürse sebeke fisini hemen sebekeden çıkarın.



Sınıf II makine- Çift İzolasyon - Topraklanmış prize ihtiyacınız yok.



Sadece soğuk kül içindir! Makineye çekilen malzemenin sıcaklığı 40°C'yi (104°F) aşarsa yangın riski vardır!



Malzemenin sıcaklığı 40°C'yi aşarsa, yangın riski vardır.



Ürünü uygun olmayan kaplara atmayın.



Ürün, Avrupa yönergelerindeki geçerli güvenlik standartlarına uygundur.

GÜVENLİK NOTLARI

BU CİHAZ, 8 YAŞ VE ÜZERİ ÇOCUKLAR VE CİHAZIN GÜVENLİ BİR ŞEKİLDE KULLANIMIYLA İLGİLİ DENETİM MEVCUTSA VEYA TALİMAT VERİLDİYSE VE İLGİLİ TEHLİKELERİ ANLIYORSA, FİZİKSEL, DUYUSAL VEYA ZİHİNSEL YETENEKLERİ AZALMIŞ VEYA DENEYİM VE BİLGİ EKSİKLİĞİ OLAN KİŞİLER TARAFINDAN KULLANILABİLİR. ÇOCUKLARIN CİHAZLA OYNAMASINA İZİN VERMEYİN. EĞER GÖZETİM ALTINDA DEĞİLLERSE TEMİZLİK VE KULLANICI BA-

KIMI ÇOCUKLAR TARAFINDAN YAPILAMAZ. BESLEME KABLOSU ZARAR GÖRDÜYSE, TEHLİKEDEN KAÇINMAK İÇİN ÜRETİCİ, YETKİLİ SERVİS PERSONELİ VEYA BENZERİ VASİFLİ KİŞİLER TARAFINDAN DEĞİŞTİRİLMELİDİR. CİHAZI TEMİZLEMEDEN VEYA BAKIMINI YAPMADAN ÖNCE FİŞİ PRİZDEN ÇIKARILMALIDIR.

- 1) Çalışma alanınızı temiz tutun: Dağınık çalışma alanları ve çalışma tezgahları bir yaralanma kaynağıdır.
- 2) Elektrikli süpürge, kullanımdan önce uygun şekilde monte edilmelidir.
- 3) Yalnızca açık alanda kullanım için onaylanmış uzatma kablolarını kullanın (süpürge dışarıda kullanıldığında) ve her zaman iyi durumda olduklarından emin olun.
- 4) Elektrik kablolarını koruyun ve özellikle kenarlar, keskin parçalar veya hareketli parçalar tarafından ezilmediklerinden, çekilmediklerinden veya hasar görmediklerinden ya da aşındırıcı sıvılar nedeniyle zarar görmemiş olduklarından emin olun.
- 5) Hasarlı bir uzatma kablosunu kullanmayın. Kablunun kendisinde kalıcı veya geçici onarımlar yapmayın.
- 6) Elektrik kablosu hasarlı bir elektrikli süpürgeyi kullanmayın. Yetkili bir servis merkezinde yeni bir kablo taktırın.
- 7) Fişe, elektrik kablolarına veya uzatma kablosuna başka bir şey bağlamayın.
- 8) Elektrikli süpürgenizi elektrik prizine takmadan önce, voltaj ve priz gerekliliklerinin kablunun yanındaki etikette belirtilenlerle eşleştiğinden emin olun.
- 9) Cihazı kablosundan çekerek taşımayın.
- 10) Prizden veya uzatma kablosundan çıkarmadan önce makineniz daima kapatılmalıdır.
- 11) Cihazı çalışır durumda denetimsiz bırakmadan (kısa bir süre için bile olsa) önce kapatın ve fişini elektrik prizinden çekin. Bu, elektrik kesintisi olduğunda da yapılmalıdır.
- 12) Elektrik gücünü küçümsemeyin. Daima dengeli ve sağlam bir duruşu koruyun.
- 13) Çocukları ve evcil hayvanları makineden uzak tutun. Makine çalışırken, herkes güvenli bir mesafede durmalıdır.
- 14) Cihaz, çocuklar veya cihazın nasıl kullanılacağını bilmeyen ya da bu kullanım kılavuzunu okumamış kişiler tarafından kullanılmamalıdır.
- 15) Cihazı kullanırken başkalarının güvenliğinden

cihazın kullanıcısı sorumludur.

- 16) Süpürge yalnızca tasarlandığı amaçlar için kullanılmalıdır.
- 17) Elektrikli süpürge üzerinde herhangi bir bakım, ayarlama veya temizleme prosedürü gerçekleştirilmeden önce süpürgeyi kapatın, prizinden fişini çekin ve motorun durmasını bekleyin.
- 18) Cihazı kontrol ederken, temizlerken veya bakım yaparken çok dikkatli olun ve ellerinizi korumak için kalın iş eldivenleri giyin.
- 19) Güvenlik cihazları ve elektrik kabloları kesinlikle değiştirilmemeli veya makineden çıkarılmalıdır.
- 20) Makine kullanım sırasında sabit ve dengeli bir zeminde tutulmalı veya vücut tarafından desteklenmelidir.
- 21) Yalnızca tam gün ışığında veya uygun yapay ışıkla çalışın.
- 22) Kulaklarınız için bir tür işitme koruması kullanmanızı öneririz.
- 23) Makine anormal şekilde titreirse, motoru durdurun ve derhal sebebinin araştırın. Titreşimler genellikle bir sorun olduğu anlamına gelir.
- 24) Elektrikli süpürge, kullanımdan önce uygun şekilde kontrol edilmelidir. Mükemmel çalışır durumda olmayan bir makineyi kullanmayın. Kullanıcı açısından tehlike oluşturabilecek bir sorun fark ederseniz, kullanmadan önce makineyi tamir ettirin.
- 25) Güvenlik nedeniyle, aşınmış veya hasarlı parçaları değiştirin. Yalnızca üretici tarafından onaylanan yedek parçaları kullanın. Üretici hariç kaynaklardan alınan parçalar düzgün takılabilebilir veya tehlikeli olabilir a da yaralanmalara neden olabilir. Elektrik kablosu yalnızca uzman servis merkezleri tarafından değiştirilebilir.
- 26) Elektrikli süpürgeyi yalnızca kötü hava koşullarından korunan kuru alanlarda kullanın. Yağmur yağarken açık havada kullanmayın.
- 27) Elektrikli süpürgeyi çocukların erişemeyeceği, kuru bir yerde saklayın.
- 28) Temizleme tamamlandıktan sonra elektrik kablosunu ortalıkta bırakmayın; aksi takdirde birisi takılabilir.
- 29) Aşırı ağır haznelere boşaltırken dikkatli olun.
- 30) Kendiliğinden yanmayı önlemek için, her kullanımdan sonra hazneyi boşaltın.
- 31) Bu makineyi benzin, fotokopi tozu veya uçucu maddeler gibi yanıcı veya yanıcı sıvıları çekmek için kullanmayın ve makinenin bu sıvıların bulunduğu alanlarda kullanılmasını önleyin.

Asitleri vakumla çekmek için kullanmayın.

- 32) Asbest, asbest tozu, arsenik, baryum, berilyum, kurşun, böcek ilacı gibi zararlı maddeler veya sağlığınız için tehlikeli olan diğer toksik, kanserojen, yanıcı veya diğer tehlikeli maddeleri çekmeyin.
- 33) Odun veya odun kömürü külü, kurum, çimento, alçı veya alçıpan tozunu süpürürken çok dikkatli olunmalıdır. Bu partiküller son derece incedir ve motorun performansını etkileyen filtrelerden geçebilir veya havaya üflenebilir.
- 34) Sigara, sigara izmariti, kibrit veya sıcak kül gibi köz halindeki veya için için yanan hiçbir şeyi çekmeyin.
- 35) Tuzlu suyu kesinlikle çekmeyin; motora zarar verebilir.

KÜLLERİN SÜPÜRÜLMESİ İÇİN ÖZEL GÜVENLİK UYARILARI

- a) Elektrikli süpürge, tehlikeli maddelerin ayrıştırılması için kullanılmamalıdır.
- b) Kurumu vakumla çekmek için kullanmayın!
- c) Sadece izin verilen yakıtların külünü temizlemek için kullanın!
- d) Sıcak veya yanan nesnelere veya közü (örn. sigara, odun kömürü, kül, vb.) süpürmeyin. Malzemenin sıcaklığı 40°C'nin altında olmalıdır.
- e) İkaz! Malzemenin sıcaklığı 40°C'yi aşarsa, yangın riski vardır.
- f) Dikkat! Dışarıdan soğumuş gibi görünen malzemenin içi halen çok sıcak olabilir. Bu, cihazı kullanmadan önce külleri metal bir aletle birleştirerek belirlenebilir. Artık soğumuş olan külden yayılan, fark edilebilir bir ısı olmaz.
- g) Sıcak kül parçacıkları hava akımıyla birlikte tekrar tutuşabilir.
- h) 40°C'yi aşan sıcaklıklar elektrikli süpürgeye, hortumlara ve filtreye zarar verebilir.
- i) Fırınlardan içeri süpürmeden önce lütfen fırının soğuk olduğundan emin olun.
- j) Elektrikli süpürge ile temizlik sırasında boruları, filtreyi ve elektrikli süpürgeyi aşırı sıcaklıklar açısından sürekli kontrol edin.
- k) Bir sıcaklık artışı fark ederseniz, elektrik süpürgesini hemen kapatın. Elektrikli süpürgeyi fişini elektrik şebekesinden ayırın ve filtreyi çıkartın. Malzemeyi filtreden çıkartın. Elektrikli süpürgeyi kontrol altında soğumaya bırakın.
- l) Süpürdükten sonra süpürgeyi tamamen boşaltın.

ÜFLEME İÇİN ÖZEL GÜVENLİK UYARILARI

- Basınçlı havayı yalnızca çalışma alanına doğrultun. Kesinlikle insanlara veya hayvanlara doğrultmayın.
- Uçan nesne riski. Seyircileri iş alanından uzak tutun.
- Üfleme işlevini kullanmadan önce daima koruyucu gözlük takın.

Elektrik güvenliği

Elektrikli makineleri kullanırken yangın, elektrik çarpması ve bedensel yaralanma riskini azaltmak için ülkenizde geçerli güvenlik düzenlemelerine her zaman uyun. Aşağıdaki güvenlik talimatlarını ve ayrıca ekteki güvenlik talimatlarını okuyun.



Güç kaynağının voltajının, anma değeri plakası etiketi üzerindeki voltaja karşılık geldiğini her zaman kontrol edin.



Sınıf II makine- Çift İzolasyon - Topraklanmış prize ihtiyacınız yok.

Elektrikli aleti nemli bir konumda çalıştırmak kaçınılmazsa, kaçak akım cihazı (RCD) korumalı bir kaynak kullanın. RCD kullanımı elektrik çarpması riskini azaltır.

2. MAKİNE BİLGİSİ

Kullanım amacı

Elektrikli süpürge, örneğin bir şömine, barbekü veya diğer ızgara türü yerlerdeki kül kalıntılarını temizlemek gibi evde soğuk kül süpürmek için tasarlanmıştır. Elektrikli süpürge bir üfleme işlevi ile donatılmıştır. Garajlar veya avlular ve araba yollarındaki toz ve döküntüleri üfleme için kullanılabilir. Bu cihaz ticari veya endüstriyel amaçlı kullanım için uygun değildir.

TEKNİK SPESİFİKASYONLAR

Model No.	VC505AC
Şebeke voltajı	220-240V~
Şebeke frekansı	50-60 Hz
Güç girişi	1600W
Kablo uzunluğu	3m
Koruma sınıfı	Sınıf II
Emiş gücü	20 kPa, 1,6 m3/dak

Hazne kapasitesi	yakl. 20 L
Filtre	HEPA
Hortum sistemi	35mm
Hortum uzunluğu	1,2m
Önerilen Filtre	VC808AC
Ağırlık (tüm aksesuarlar dahil) yakl.	3,3 kg

AÇIKLAMA

Metindeki numaralar sayfa 2-3'deki çizimleri işaret etmektedir.

- Açma / Kapama anahtarı
- Taşıma kolu
- Vakumla çekme portu
- Üfleme portu
- Metal kilitleme kelepçesi
- Başlıkları saklama
- Hazne
- Üst kısım
- Hortum
- Alüminyum boru
- HEPA Filtresi
- Filtre tutucu

3. MONTAJ



Montajdan önce her zaman makineyi kapatın ve şebeke prizini şebekeden çıkarın.

- HEPA filtresini (11) Şekil B'de gösterildiği gibi filtre tutucusunun (12) üzerine kaydırın.



Emiş gücünü korumak için HEPA filtresini (11) düzenli olarak ve her yoğun kullanımdan sonra temizleyin.

- Üst kısmı (8) Şekil C1'de gösterildiği gibi haznenin (7) üzerine yerleştirin.
- Kabin metal kilitleme kelepçelerini Şekil C2'de gösterildiği gibi üst kısma sabitleyin.
- Metal kilitleme kelepçelerini aşağı doğru iterek kapatın.
- Emme hortumunu (9) takın.
 - Vakumla çekme için (Şekil D): Emme hortumunu (9) vakum portuna (3) takın.
 - Üfleme için (Şekil E): Emme hortumunu (9) üfleme portuna (4) takın.
- Alüminyum boruyu (10) hortuma (9) bağlayın.

4. ÇALIŞTIRMA

Cihazı çalıştırma (Şekil A):



Hepa filtresi olmadan vakumla çekmeyin!

1. Emme hortumunu (9) tamamen açın.
2. Aletin fişini takın.
3. Elektrikli süpürgeyi çalıştırmak için açma/kapama düğmesini (1) "ON/1" konumuna getirin.

Cihazı kapatma (Şekil A):

Elektrikli süpürgeyi kapatmak için açma/kapama düğmesini (1) "OFF/0" konumuna getirin.

Vacumla çekme (Şekil B, C1, C2, D)



Emiş gücünü korumak için HEPA filtresini (11) düzenli olarak ve her yoğun kullanımdan sonra temizleyin.



Çimento, kurum ve alçı tozu gibi ince tozlar cihazla kullanılmayacak kadar incedir. Motora girme ve zarar verme riski mevcuttur.

1. Daima makineyi kapatın (1) ve fişini prizden çekin.
2. Metal kilitleme kelepçelerinin (5) kilidini açın ve üst kısmı (8) çıkartın.
3. Süpürmeden önce, haznedeki (7) tüm kir ve kalıntıları temizleyin.
4. Filtreyi takın. HEPA filtresini (11) Şekil B'de gösterildiği gibi filtre tutucusunun (12) üzerine dikkatlice kaydırın.
5. Üst kısmı (8) Şekil C1'de gösterildiği gibi haznenin (7) üzerine yerleştirin.
6. Üst kısmı (8) tekrar takın ve kilitleme kelepçelerini (5) kilitleyin. Şekil C2.
7. Hortumun (9) bir ucunu vakumla çekme portuna (3) takın. Emme hortumunu (9) tamamen açın. Şekil D.
8. Aletin fişini takın.
9. Elektrikli süpürgeyi çalıştırmak için açma/kapama düğmesini (1) "ON/1" konumuna getirin.
10. Makine artık temizlik için kullanıma hazırdır.
11. Elektrikli süpürgeyi kapatmak için açma/kapama düğmesini (1) "OFF/0" konumuna getirin.

Üfleme işlevi (Şekil C1, C2, E)



Filtre kullanılmadan çalıştırılması tavsiye edilir.



Üfleme işlevini kullanmadan önce haznedeki (7) tüm kir ve kalıntıları temizleyin.



Üfleme işlevini kullanmadan önce daima koruyucu gözlük takın.



Uçan nesne riski. Seyircileri iş alanından uzak tutun.

Elektrikli süpürge bir üfleme işlevi ile donatılmıştır. Garajlar veya avlular ve araba yollarında ki tozları ve döküntüleri üfleme için kullanılabilir.

1. Daima makineyi kapatın (1) ve fişini prizden çekin.
2. Kilitleme kelepçesinin (5) kilidini açın ve üst kısmı (8) çıkartın.
3. Üflemeden önce, filtreyi (11) çıkartın ve haznedeki (7) tüm kir ve kalıntıları temizleyin.
4. Üst kısmı (8) tekrar takın ve kilitleme kelepçesini (5) kilitleyin. Şekil C1, C2.
5. Hortumun (9) bir ucunu makinenin üst kısmındaki üfleme portuna (4) takın. Emme hortumunu (9) tamamen açın. Şekil E.
6. Aletin fişini takın.
7. Elektrikli süpürgeyi çalıştırmak için açma/kapama düğmesini (1) "ON/1" konumuna getirin.
8. Makine toz ve pislikleri üfleme için artık hazırdır.
9. Elektrikli süpürgeyi kapatmak için açma/kapama düğmesini (1) "OFF/0" konumuna getirin.

Çalışmayı sonlandırma (Şekil F)

1. Makineyi kapatın (1) ve fişini prizden çekin.
2. Üst kısmı (8) çıkartın ve hazneyi (7) boşaltın.
3. Makineyi yumuşak bir bezle temizleyin.
4. Hortum, boru ve hazneyi makineden ayırın.
5. Kullandıktan sonra hortum bağlantılarını, hortumu ve boruyu temizleyin ve tıkanmamış şekilde muhafaza edin.
6. Şebeke kablosunu ve aksesuarı makinede gösterildiği gibi saklayın. Cihazı kuru bir yerde muhafaza edin.

5. BAKIM



Temizlik ve bakımdan önce her zaman makineyi kapatın ve şebeke prizini şebekeden çıkarın.

Makine kaplamalarını yumuşak bir bezle, tercihen her kullanımdan sonra düzenli olarak temizleyin. Havalandırma deliklerinin toz ve kirden arınmış olduğundan emin olun. Çok inatçı kirleri sabun köpüğüyle ıslatılmış yumuşak bir bezle çıkarın. Benzin, alkol, amonyak vs. gibi çözücü maddeleri kullanmayın. Bunlar gibi kimyasallar sentetik bileşenlere zarar verecektir.

Filtreler (Şekil B)



En iyi performans için, kullanım düzeyine bağlı olarak filtrenin (11) düzenli olarak değiştirilmesi önerilir.

1. HEPA filtresini (11) dikkatlice çıkarın.
2. HEPA filtresi (11) üzerindeki tozu fırça ile temizleyin ve gerekirse yıkayın.
3. Yıkatabilir HEPA filtresi dahil olmak üzere, cihazın herhangi bir temizliği için temizlik ürünleri, çözücüler veya keskin nesnelere kullanmayın.
4. Tekrar takmadan ve kullanmadan önce filtrenin kurumasını bekleyin.
5. Filtreyi yeniden takın.

ÇEVRE



Arızalı ve/veya atılmış elektrikli veya elektronik ekipmanların uygun geri dönüşüm konumlarında toplanması gerekir.

Yalnızca AT ülkeleri için

Elektrikli aletleri evsel atık olarak atmayın. Atık Elektrikli ve Elektronik Donanım için Avrupa İlkeleri 2012/19/EU'ya ve bunun yerel hukuk çerçevesinde uygulamasına göre, artık kullanılamaz olan elektrikli aletler ayrı olarak toplanmalı ve çevre dostu bir yolla imha edilmelidir.

GARANTİ

VONROC ürünleri yüksek kalite standartları doğrultusunda geliştirilmiştir ve ilk satın alımdan itibaren kanunen belirlenen süre boyunca materyal ve işçilik açısından kusursuz olacağı garanti edilmektedir. Bu süre zarfında, kusurlu materyal ve/veya işçilikten dolayı üründe herhangi bir arıza meydana gelmesi durumunda, doğrudan VONROC iletişim kurun.

Takip eden durumlar bu garanti kapsamı dışındadır:

- Yetkisiz servis merkezleri tarafından yapılan veya yapılmaya teşebbüs edilen onarım ve/veya değişiklikler.
- Normal aşınma ve eskime.
- Cihazın kötü ve yanlış kullanılması veya cihaza yanlış bakım yapılması.
- Orijinal olmayan yedek parçaların kullanılması

Bu, şirket tarafından açık ya da zımni verilmiş tek garantiyi oluşturur. Belirli bir amaç için ticarete elverişlilik ve uygunluğun zımni garantileri dahil dış görünüşünün ötesine uzanan açık veya zımni başka hiçbir garanti yoktur. VONROC herhangi bir arıza veya dolaylı zarardan hiçbir halükarda sorumlu olmayacaktır. Bayilerin getireceği çözümler uygunsuz birimlerin veya parçaların onarımı veya değiştirilmesiyle sınırlı olacaktır.

Ürün ve kullanıcı kılavuzu değişikliğe tabidir.

Spesifikasyonlar başka bir uyarı olmaksızın değiştirilebilir.



DECLARATION OF CONFORMITY VC505AC - ASH VACUUM CLEANER

- (EN) We declare under our sole responsibility that this product is in conformity with directive 2011/65/EU of the European parliament and of the council of 8 June on the restriction of the use of certain hazardous substances in electrical and electronic equipment is in conformity and accordance with the following standards and regulations:
- (DE) Der Hersteller erklärt eigenverantwortlich, dass dieses Produkt der Direktive 2011/65/EU des Europäischen Parlaments und des Rats vom 8. Juni 2011 über die Einschränkung der Anwendung von bestimmten gefährlichen Stoffen in elektrischen und elektronischen Geräten entspricht. den folgenden Standards und Vorschriften entspricht:
- (NL) Wij verklaren onder onze volledige verantwoordelijkheid dat dit product voldoet aan de conform Richtlijn 2011/65/EU van het Europees Parlement en de Raad van 8 juni 2011 betreffende beperking van het gebruik van bepaalde gevaarlijke stoffen in elektrische en elektronische apparatuur en in overeenstemming is met de volgende standaarden en reguleringen:
- (FR) Nous déclarons sous notre seule responsabilité que ce produit est conforme aux standards et directives suivants: est conforme à la Directive 2011/65/EU du Parlement Européen et du Conseil du 8 juin 2011 concernant la limitation d'usage de certaines substances dangereuses dans l'équipement électrique et électronique.
- (ES) Declaramos bajo nuestra exclusiva responsabilidad que este producto cumple con las siguientes normas y estándares de funcionamiento: se encuentra conforme con la Directiva 2011/65/UE del Parlamento Europeo y del Consejo de 8 de junio de 2011 sobre la restricción del uso de determinadas sustancias peligrosas en los equipos eléctricos y electrónicos.
- (IT) Dichiariamo, sotto la nostra responsabilità, che questo prodotto è conforme alle normative e ai regolamenti seguenti: è conforme alla Direttiva 2011/65/UE del Parlamento Europeo e del Consiglio dell'8 giugno 2011 sulla limitazione dell'uso di determinate sostanze pericolose nelle apparecchiature elettriche ed elettroniche.
- (SV) Vi garanterar på eget ansvar att denna produkt uppfyller och följer följande standarder och bestämmelser: uppfyller direktiv 2011/65/EU från Europeiska parlamentet och EG-rådet från den 8 juni 2011 om begränsningen av användning av farliga substanser i elektrisk och elektronisk utrustning.
- (DA) Vi erklærer under eget ansvar, at dette produkt er i overensstemmelse med følgende standarder og bestemmelser: er i overensstemmelse med direktiv 2011/65/EU fra Europa-Parlamentet og Rådet af 8. juni 2011 om begrænsning af anvendelsen af visse farlige stoffer i elektrisk og elektronisk udstyr.
- (PL) Deklarujemy na własną odpowiedzialność, że ten produkt spełnia wymogi zawarte w następujących normach i przepisach: jest zgodny z Dyrektywą 2011/65/UE Parlamentu Europejskiego i Rady z dnia 8 czerwca 2011 r. w sprawie ograniczenia stosowania niektórych niebezpiecznych substancji w sprzęcie elektrycznym i elektronicznym.
- (RO) Declaram prin aceasta cu răspunderea deplină că produsul acesta este în conformitate cu următoarele standarde sau directive: este în conformitate cu Directiva 2011/65/UE a Parlamentului European și a Consiliului din 8 iunie 2011 cu privire la interzicerea utilizării anumitor substanțe periculoase la echipamentele electrice și electronice.
- (TR) Tek sorumlusu biz olmak üzere bu ürünün Avrupa Parlamentosunun 2011/65/EU ve 8 Haziran 2011 tarihli konseyin elektrikli ve elektronik ekipmanlarda belirlenmiş tehlikeli malzeme kullanımının kısıtlanması hakkındaki talimatları ile birlikte aşağıda belirtilen standart ve yönergelere uygun ve uyumlu olduğunu beyan ederiz:

EN 60335-1:2012+A11:2014+A13:2017+A1:2019+A14:2019+A2:2019, EN 60335-2-2: 2010+A11:2012+A1:2013, EN 62233:2008, EN 55014-1:2017, EN 55014-2:2015, EN 61000-3-2: 2014, EN 61000-3-3:2013, 2014/35/EU, 2014/30/EU, 2011/65/EU, 2012/19/EU

Zwolle, 01-02-2022

H.G.F Rosberg
CEO

VONROC • Lingenstraat 6 • 8028 PM Zwolle • The Netherlands



VONROC®
BUILD YOUR FUTURE

©2022 VONROC
WWW.VONROC.COM

2202-03