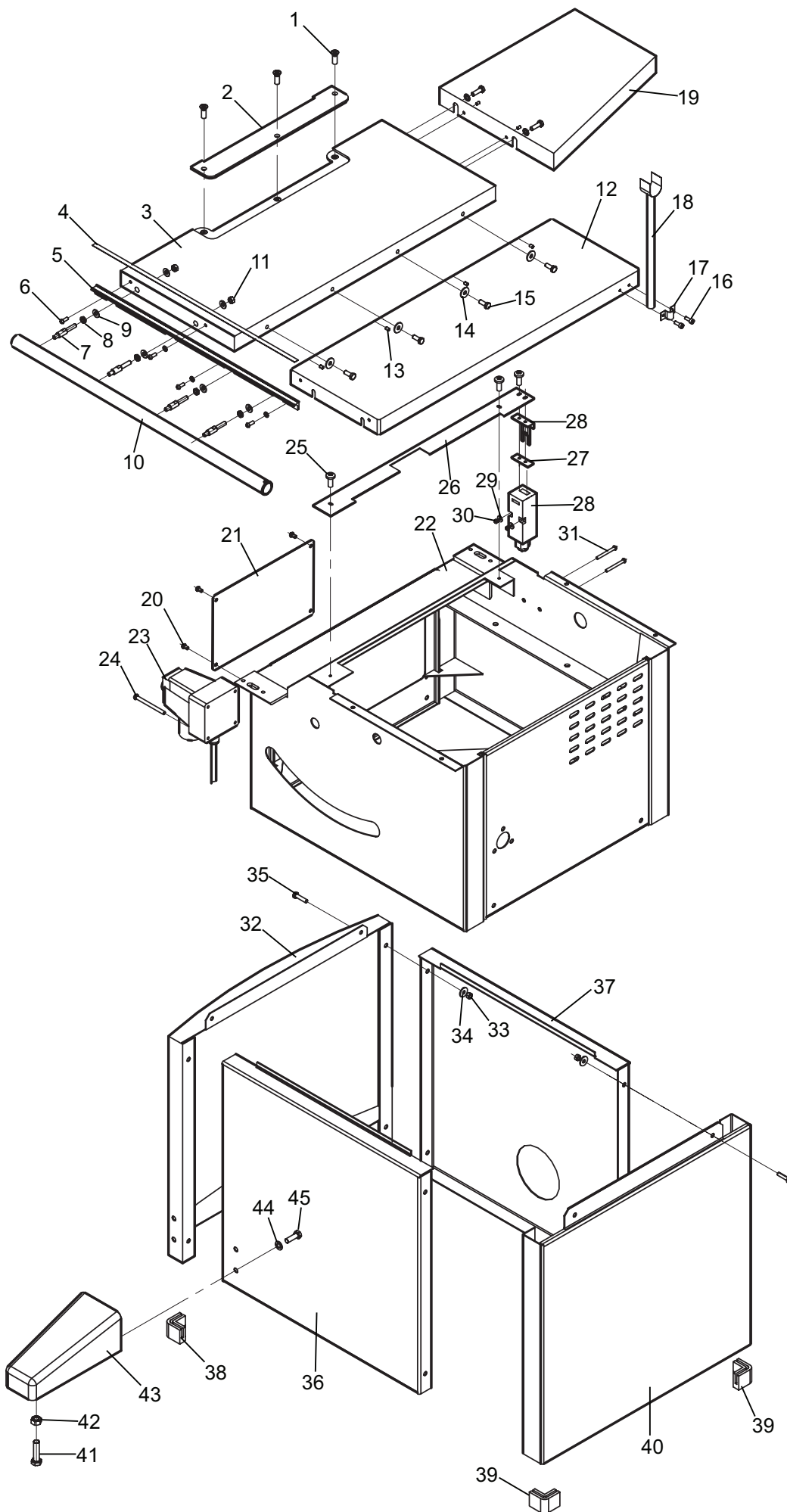
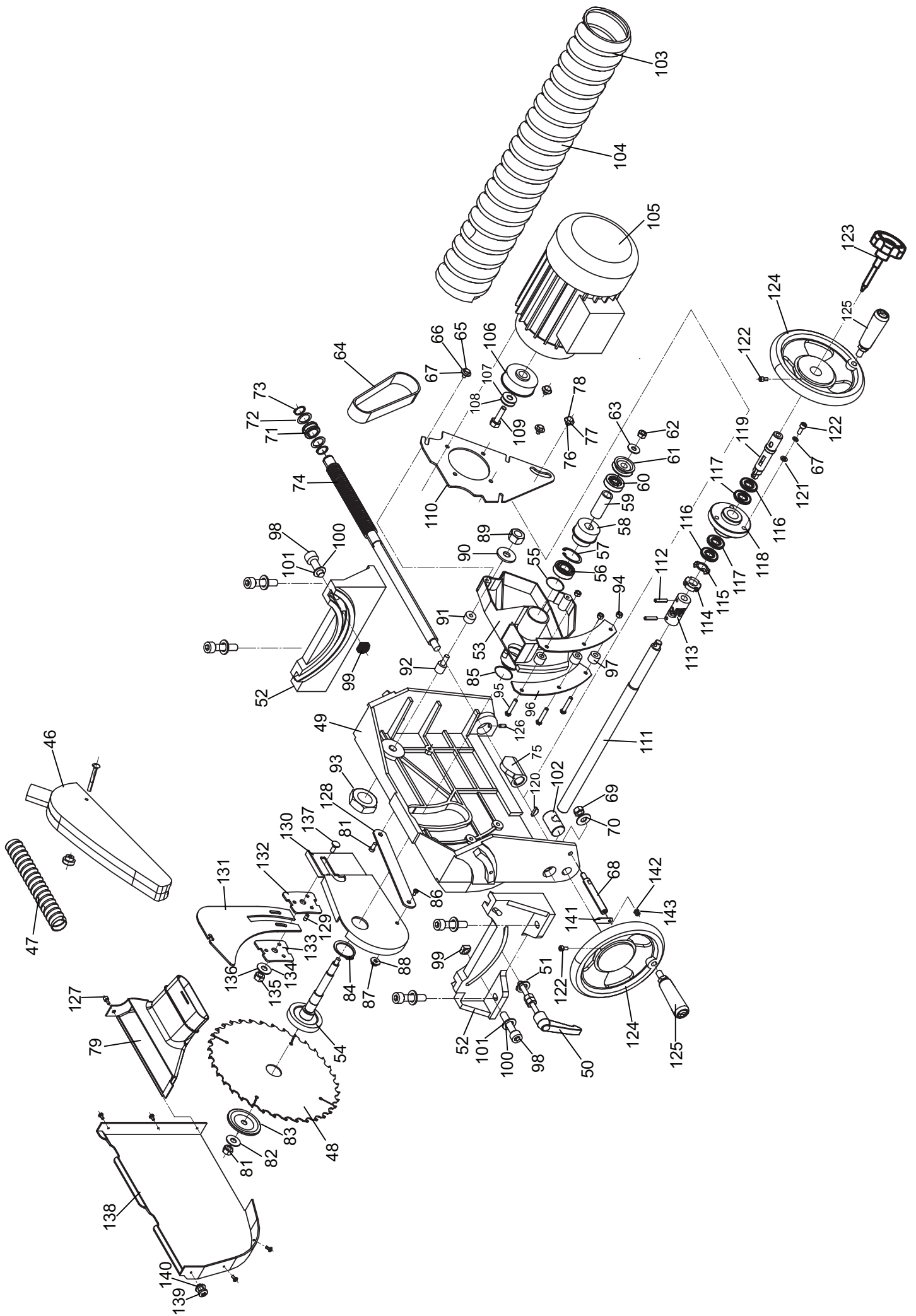
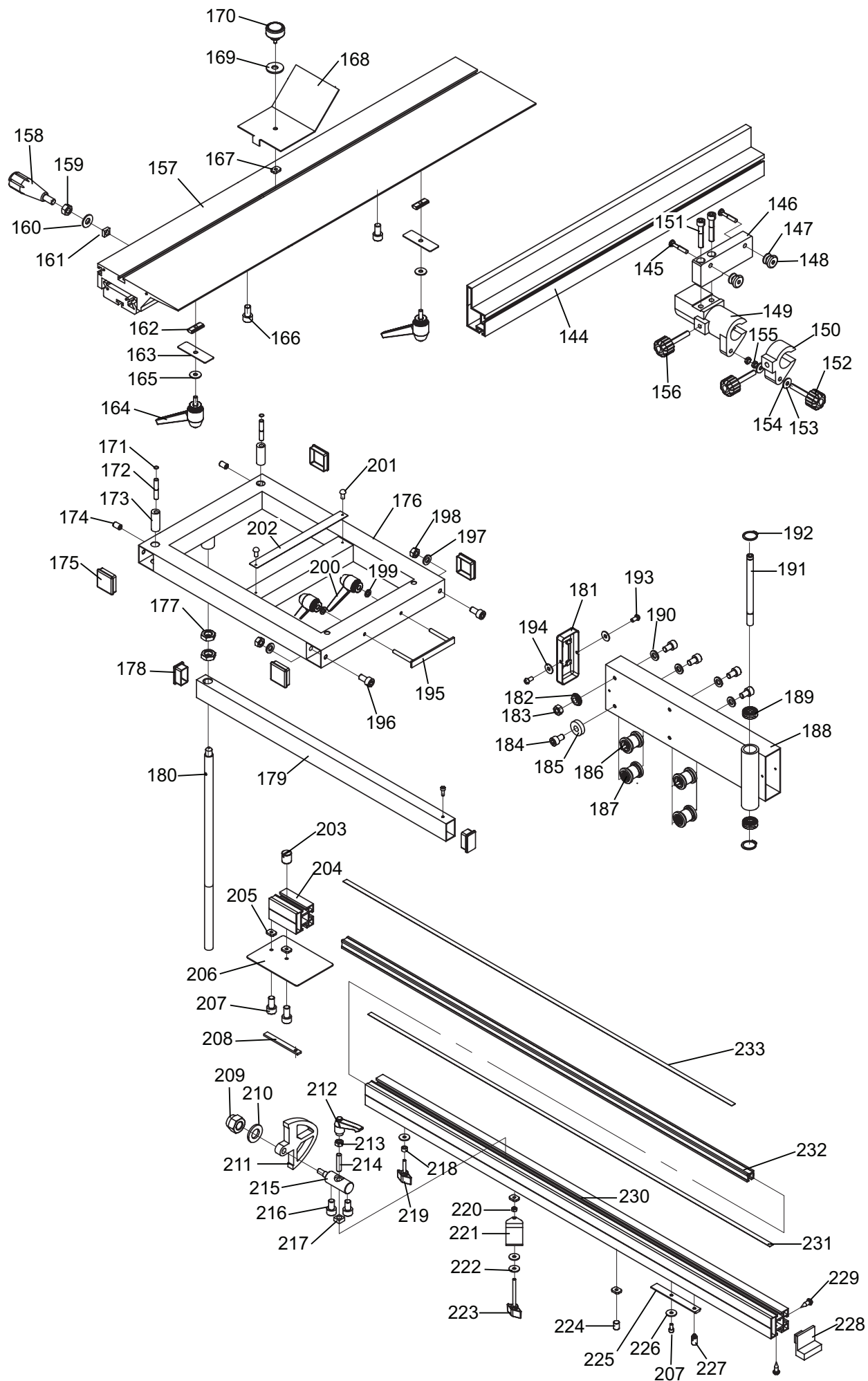


9. DIAGRAMS & COMPONENTS







10. PART LIST

No.	Description	Part No.	No.	Description	Part No.
1	Screw	M5X8GB819B	61	Adjusting wheel	1-JL82041006
2	Table insert	JL82410003A	62	Nut	1-M8GB6182Z
3	Main table	JMTS1004030001-001G	63	Washer	1-WSH8GB97D1Z
4	Scale	JL82450008B	64	Belt	1-JL82041008
5	Scale base	JL82450009A	65	Bolt	1-M6X30GB5781Z
6	Pan head screw	M6X16GB823Z	66	Washer	1-WSH6GB96Z
7	Support shaft	JL82450010	67	Washer	1-WSH6GB93Z
8	Nut	M8GB6172Z	68	Angle indicator	1-JL82440004
9	Washer	WSH8GB97D1Z	69	Nut	1-M8GB6170Z
10	Front guide rail	JL82450005A	70	Washer	1-WSH8GB95Z
11	Nut	M8GB6170Z	71	Tube	1-JL82441002
12	Extension table	JMTS1004030002-001U	72	Washer	1-JL50000005
13	Screw	M6X10GB77B	73	Retaining ring	1-SLP18GB894B
14	Bolt	M8X20GB5783Z	74	Threaded shaft	1-JL82441001
15	Washer	WSH8GB96Z	75	Threaded tube	1-JL82043002
16	Set screw	M6X16GB70Z	76	Tube	1-JL82043003
17	Clamp	JL82120001A	77	Position screw	1-JL82043004
18	Bracket	JL82121000-001Y	78	Washer	1-WSH8GB5287Z
19	Rear extension table	JMTS1004030003-0001U	79	Dust port	1-JL82040004-001S
20	Screw	M4X8GB818Z	80	Carriage bolt	1-JL82060007
21	Protection plate	JL82020005-105U	81	Nut	1-JL82040015
22	Upper cabinet asm	JMTS1004010000-105U	82	Washer	1-WSh10GB97Z
23	Switch	KOA2MN-10ZFD	83	Plate	1-JL82040007
24	Screw	M4X60GB818Z	84	Retaining ring	1-ST32GB894D1B
25	Screw	M4X10GB818Z	85	Washer	1-JL82040008
26	Protection plate	JL82460007-105U	86	Screw	1-M6X20GBGB819D1Z
27	Screw	M4X10GB818Z	87	Nut	1-M6GB889Z
28	Safety switch	QKS8	88	Washer	1-WSH6GB96Z
29	Nut	M4GB6170Z	89	Nut	1-M8GB889D1Z
30	Washer	WSH4GB97D1Z	90	Washer	1-WSH8GB96B
31	Pan head screw	M4X30GB818Z	91	Tube	1-JL82040012
32	Arc panel	JMTS1004070001-001U	92	Position screw	1-JL82040013
33	Nut	M6GB6170Z	93	Nut	1-M6GB6173Z
34	Washer	WSH6GB96Z	94	Nut	1-M6GB889D1Z
35	Bolt	M6X15GB5781Z	95	Screw	1-M6X35GB819Z
36	Front panel	JMTS1004070003-001U	96	Plate	1-JL82040009
37	Side panel	JMTS1004070002-001U	97	Tube	1-JL82040010
38	Bracket	JL82070005	98	Screw	1-M8X20GB70Z
39	Bracket	JL82070004	99	Square head nut	1-JL82440005
40	Bottom panel	JL82430001-001U	100	Washer	1-WSH8GB95B
41	Bolt	M10X40GB5783Z	101	Teeth washer	1-WSH8GB861B
42	Nut	M10GB6170Z	102	Shaft	1-JL82440005
43	Foot bracket	JMTS1004070004-001U	103	Clamp	1-JL82040018
44	Bolt	M8X16GB70Z	104	Dust hose	1-JL82040019
45	Washer	WSH8GB97D1Z	105	Motor	1-KH8242582-01
46	Blade guard	1-JL82045000	106	Motor pulley	1-JL82080002
47	Dust hose	1-JL81100001	107	Washer	1-JL82080004
48	Blade	1-JL82040001	108	Washer	1-M8GB96Z
49	Bracket	1-JL82440001	109	Bolt	1-JL82080003
50	Lock handle	1-JL82443000	110	Motor plate	1-JL82080001
51	Big washer	1-WSH8GB5287Z	111	Threaded shaft	1-JMTS1002026005
52	Support bracket	1-JL82440002	112	Roll pin	1-PIN5X24GB879D1B
53	Shaft bracket	1-JL82041001	113	Gimbal	1-JMTS1001023100
54	Spindle	1-JL82444001	114	Nut	1-M16GB812Z
55	Adjusting plate	1-JL82041003	115	Washer	1-WSH16GB858Z
56	Bearing	1-BRG80103CGB278	116	Washer	1-JXPS1201026002
57	Retaining ring	1-SLP35GB893D1Z	117	Retaining bracket	1-BRG1730AXKASGB4605
58	Pulley	1-JL82041004	118	Position flange	1-JMTS1002026003
59	Tube	1-JL82041005	119	Tilt handwheel shaft	1-JMTS1002026002
60	Bearing	1-BRG80301CGB278	120	Key	1-PLN5X19GB1099

No.	Description	Part No.	No.	Description	Part No.
121	Washer	1-WSH6GB97D1Z	181	End cap	1-JL82236002
122	Screw	1-M6X16GB70Z	182	Plate	1-JL82236012
123	Locking handle	1-JMTS1002026001	183	Nut	1-M6GB6170Z
124	Handwheel	1-JMTS1002023101	184	Screw	1-M6X10GB70Z
125	Handle	1-JL84032000(2)	185	Bracket	1-JL82463005
126	Screw	1-M6X10GB77B	186	Upper wheel asm.	1-JL82053000
127	Screw	1-JL82040016	187	Lower wheel asm.	1-JL82052000
128	Bracket	1-JL82040017	188	Support bracket	1-JL822360003A-001U
129	Set screw	1-M6X10GB77Z	189	Bearing	1-BRG6202-2ZV2GB276
130	Split bracket	1-JL82445100	190	Washer	1-WSH6GBGB95Z
131	Splitter	1-JL82445001	191	Shaft	1-JMTS1001052002
132	Guide washer	1-JL82445002	192	Retaining ring	1-CLP15GB894D1B
133	Plate	1-JL82445003	193	Screw	1-M4X8GB818Z
134	Washer	1-WSH10GBGB97D1Z	194	Washer	1-WSH4GB96Z
135	Nut	1-M10GB6170Z	195	Lock plate	1-JMTS1001051002
136	Spring washer	1-WSH10GB93Z	196	Screw	1-M6X12GB70Z
137	Bolt	1-M10X25GB794Z	197	Washer	1-WSH6GB95Z
138	Blade guard	1-JL82040003	198	Nut	1-M6GB6170Z
139	Screw	1-M4X10GB818Z	199	Lock handle	1-JL50041000-001S
140	Washer	1-WSH5GB5287Z	200	Washer	1-WSH8GB5287Z
141	Indicator	1-JL82440006	201	Angle scale	1-JL82214004
142	Washer	1-WSH4GB95Z	202	Rivet	1-RVT3X7GB12618A
143	Screw	1-M4X8GB818Z	203	Screw	1-M5X6GB73B
144	Rip fence	1-JL82450004	204	Bracket	1-JL82213001
145	Carriage bolt	1-M6X35GB12Z	205	Nut	1-JL82030006A
146	Support bracket	1-JL82450003	206	Position plate	1-JL82213013
147	Washer	1-WSH6GB96Z	207	Screw	1-M6X12GB70Z
148	Nut	1-JL20061003-001S	208	Key	1-JL82213019
149	Fence bracket	1-JL82450001-001G	209	Lock nut	1-M10GB889Z
150	Bracket	1-JL82450002-001G	210	Washer	1-WSH10GB97D1Z
151	Set screw	1-M8X45GB70D1Z	211	Bracket	JXSM0401061003
152	Micro-adjust knob	1-JL82450007	212	Lock handle	1-JL50041000-001S
153	Washer	1-WSH6GB95Z	213	Nut	1-M8GB6170Z
154	Wave washer	1-WSH6GB955B	214	Set screw	1-M8X50GB77B
155	Nut	1-M6GB6172Z	215	Shaft	JXSM0401061004
156	Lock handle	1-JL82450006-001S	216	Set screw	1-M6X10GB70Z
157	Sliding table	1-JMTS1004041000	217	Nut	JL82240007
158	Lock handle	1-JL26060012-001S	218	Tube	1-JL82213017
159	Nut	1-M10GB6170Z	219	Knob	1-JL82213018-001S
160	Washer	1-WSH10GB97D1Z	220	Nut	1-M6GB6170Z
161	Square head nut	1-M10GB39B	221	Plate	1-JL82213004
162	Sliding bracket	1-JXPS1201053005	222	Big washer	1-WSH6GB5287Z
163	Plate	1-JL82240010	223	Knob	1-JL82213016-001S
164	Lock handle	1-JXCM2501012100-001S	224	Set screw	1-M6X10GB77B
165	Washer	1-WSH8GB96Z	225	Key	1-JL82213015
166	Set screw	1-M6X10GB70Z	226	Big washer	1-WSH6GB96Z
167	Square head nut	1-JL82030006	227	Shaft	1-JL82464003
168	Plate	1-JL84060003-001Y	228	End cap	1-JL82213007-001S
169	Washer	1-WSH6GB97D1Z	229	Tapping screw	1-ST3D5X13GB845Z
170	Fence knob	1-JL20061100-001S	230	Fence	1-JL82213003
171	Retaining ring	1-CLP10GB895D2B	231	Scale	1-JMTS1001053001
172	Roll pin	JMTS1001051004	232	Bracket	1-JL82213002
173	Position tube	JMTS1001051003	233	Scale	1-JL82464001
174	Set screw	1-M6X10GB80B			
175	End cap	1-JL82233004-001S			
176	Square sliding table	1-JMTS1001051001-001U			
177	Nut	1-M20GB6173			
178	End cap	1-JL82212006-001S			
179	Extension bracket	1-JL84070002			
180	Support bracket	1-JL82463004			