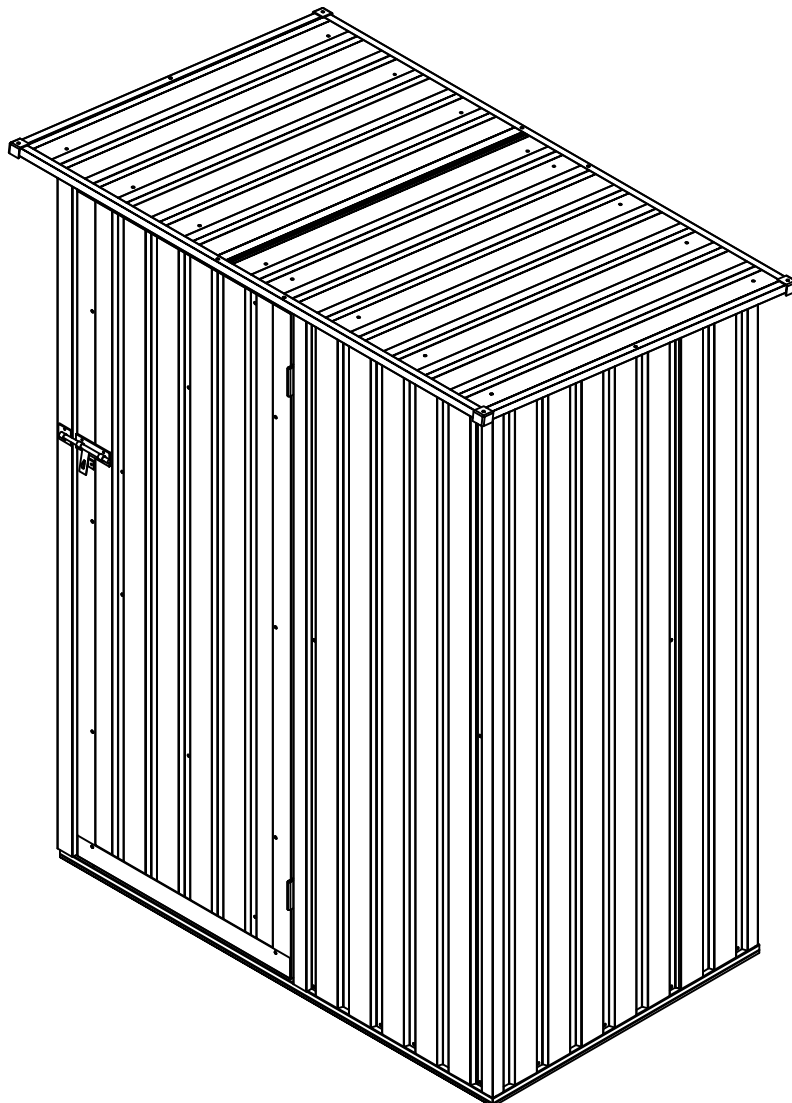


Metal Shed

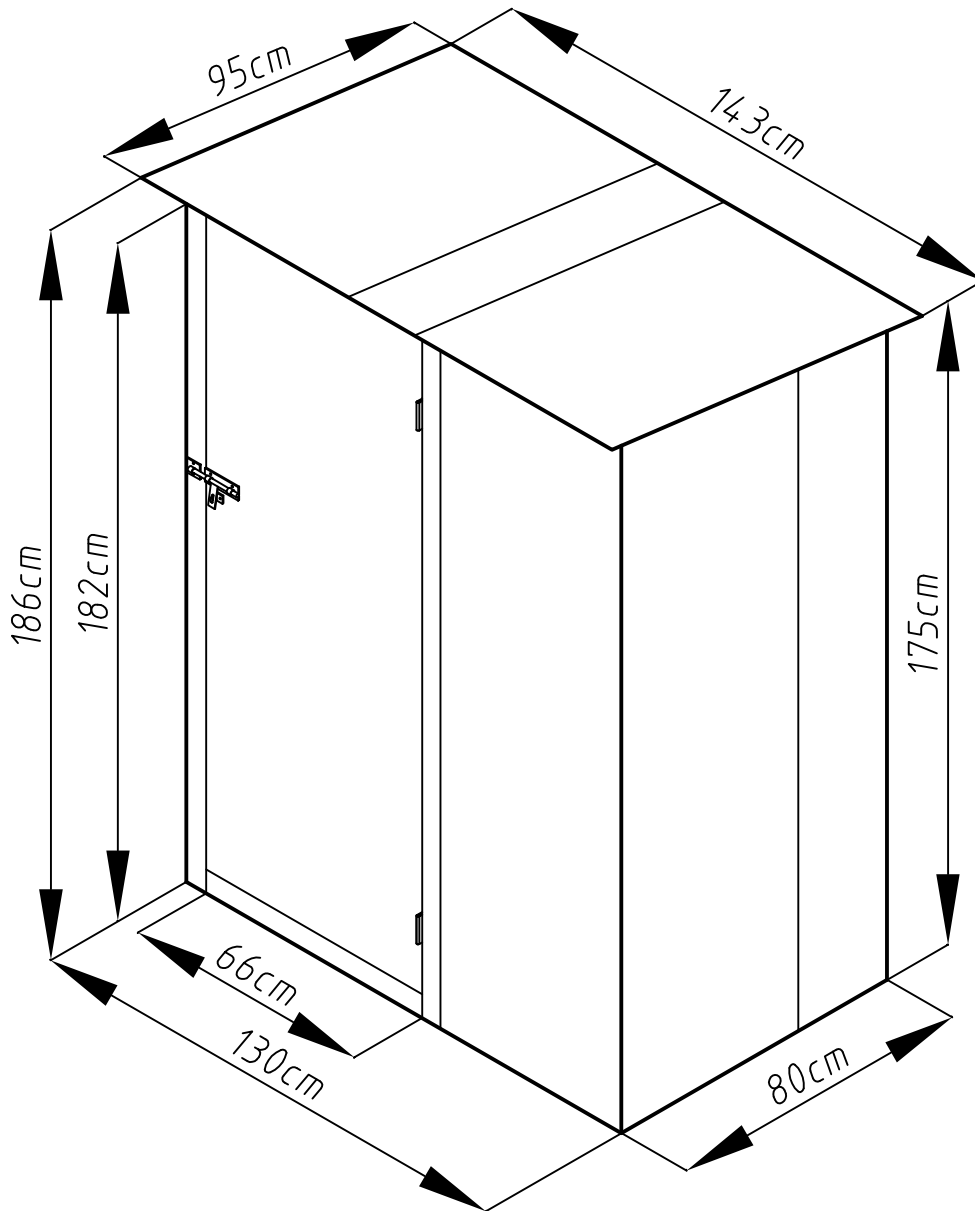
03/2017

OWNER'S MANUAL / Instructions for Assembly How-A

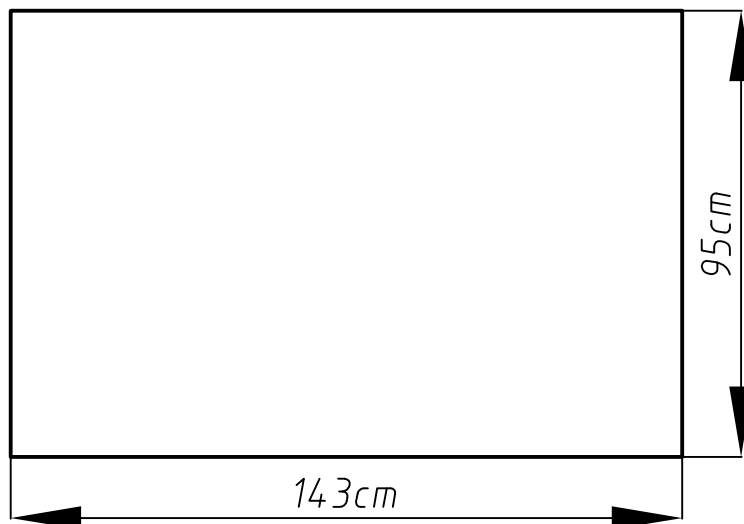


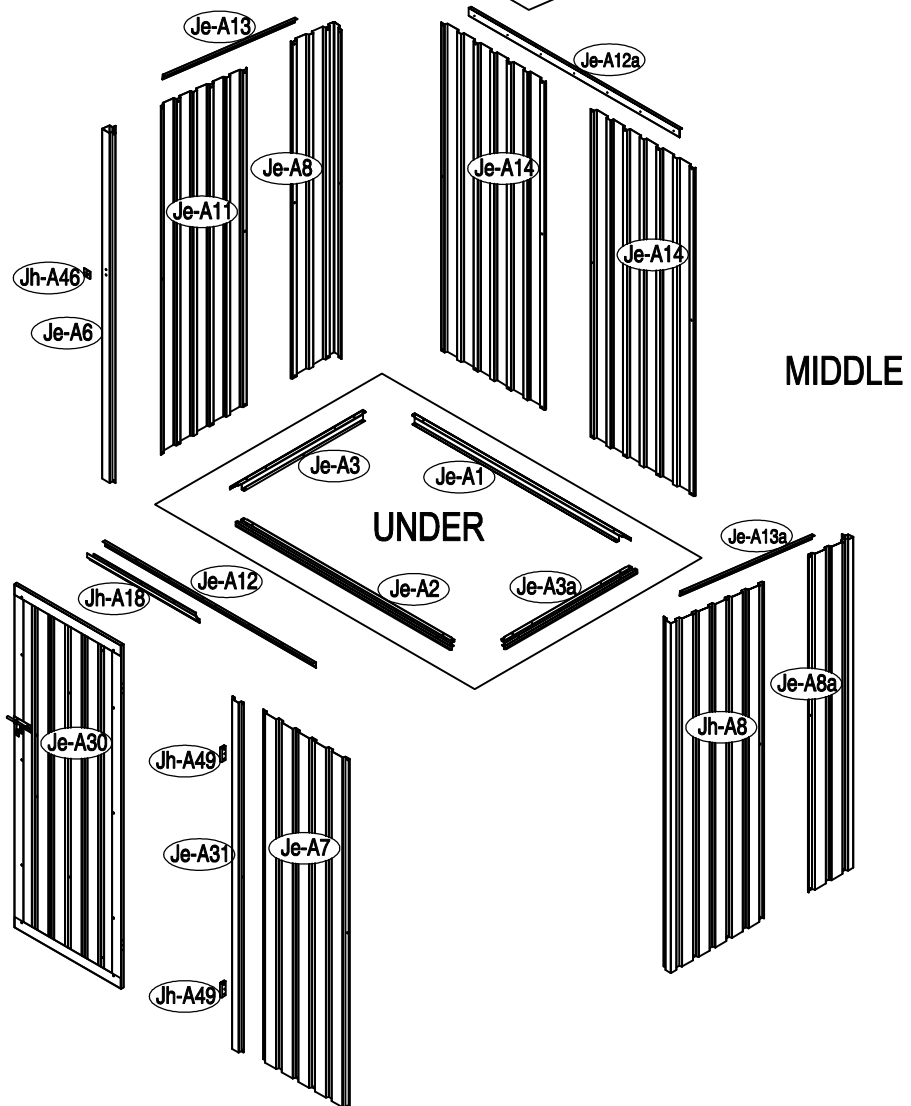
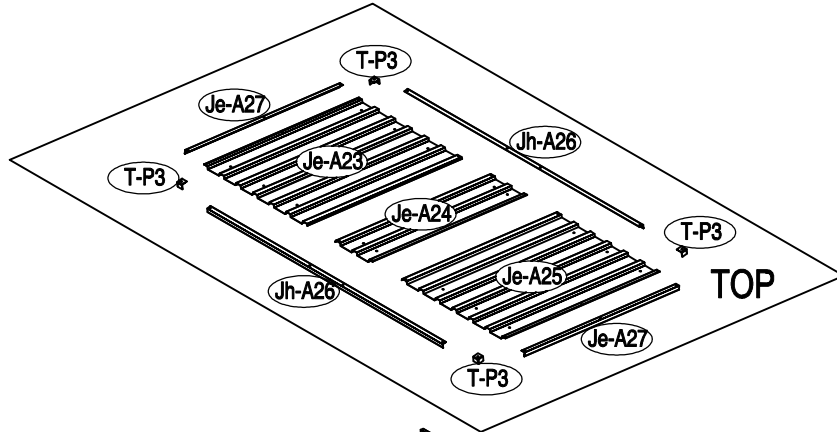
Requires two people and takes 2-3 hours for Installation.

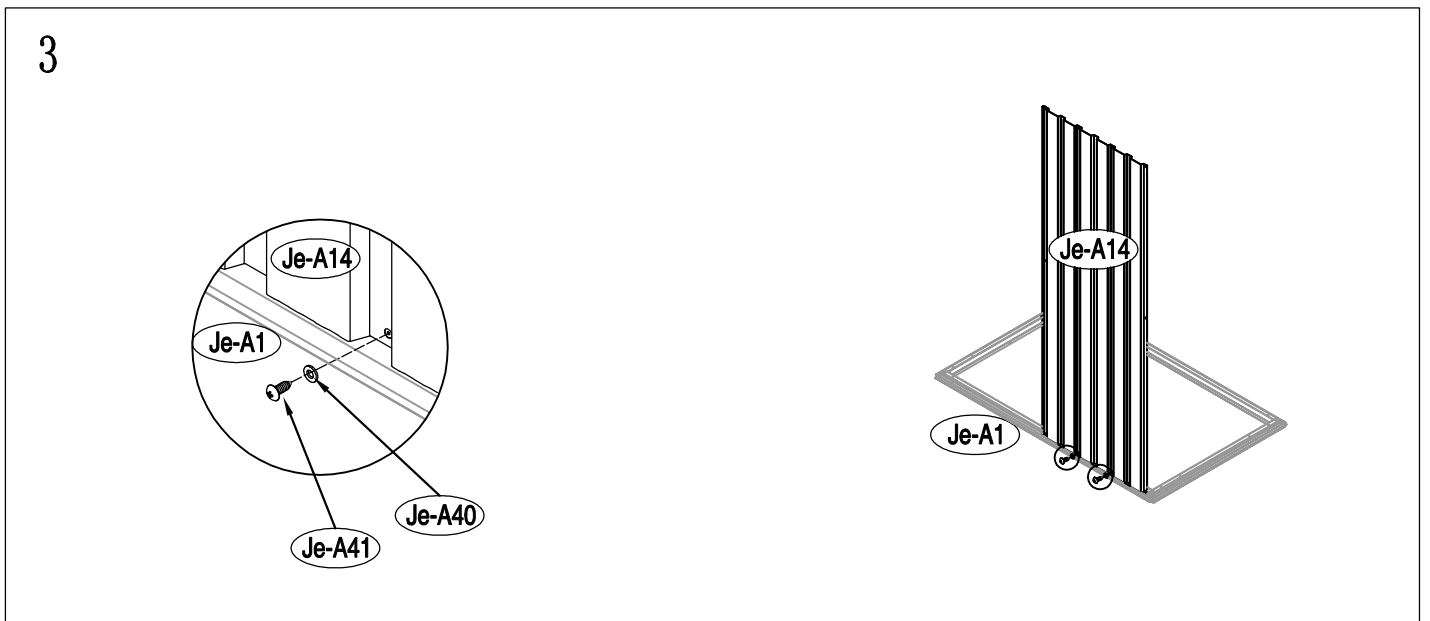
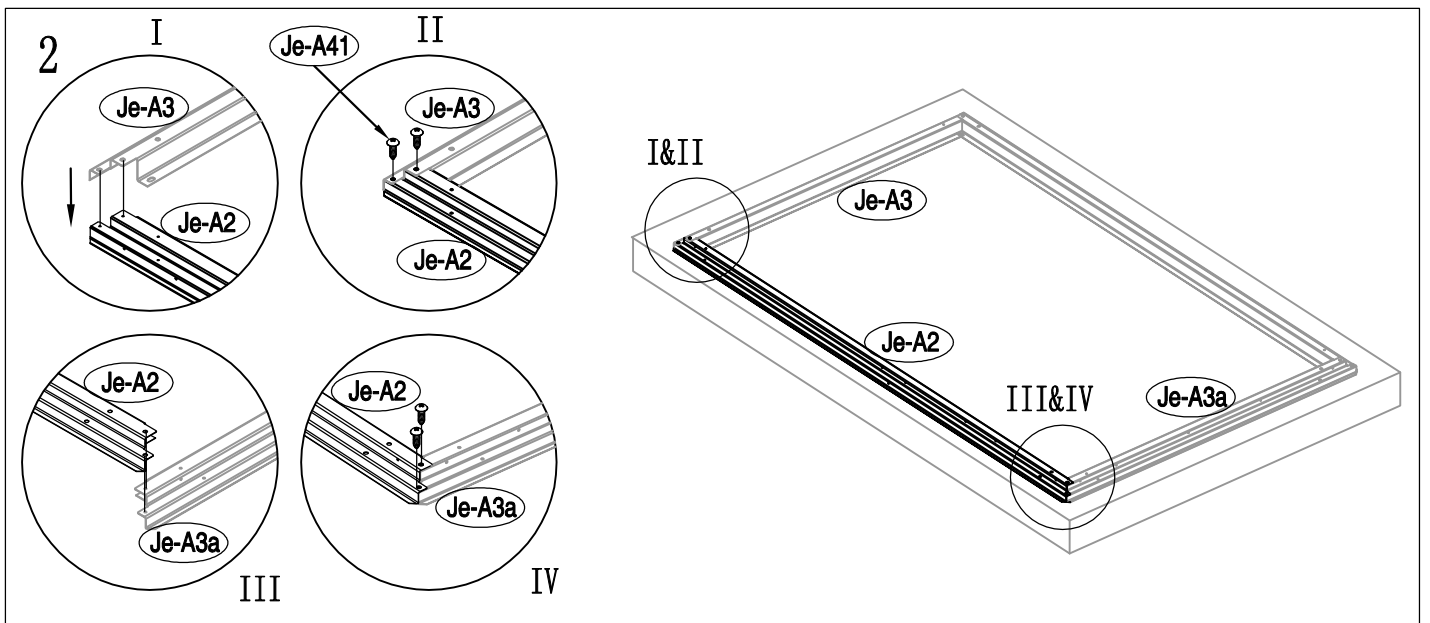
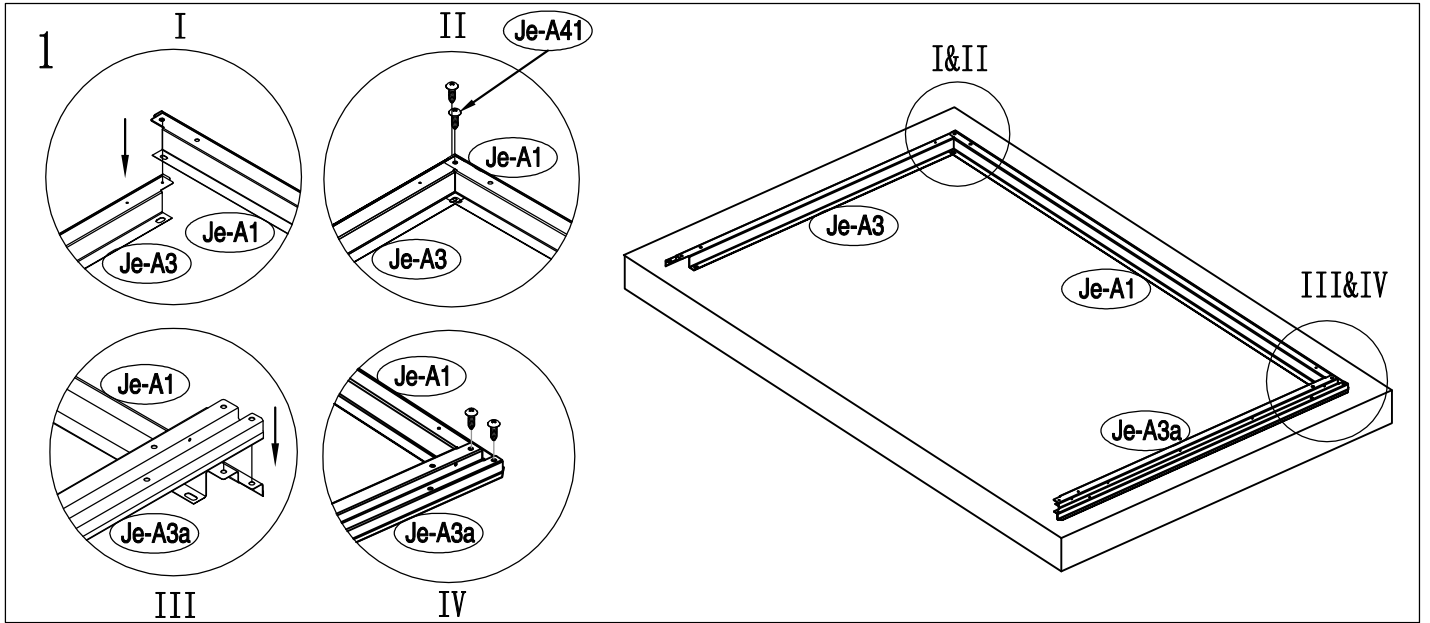
Size of How-A:

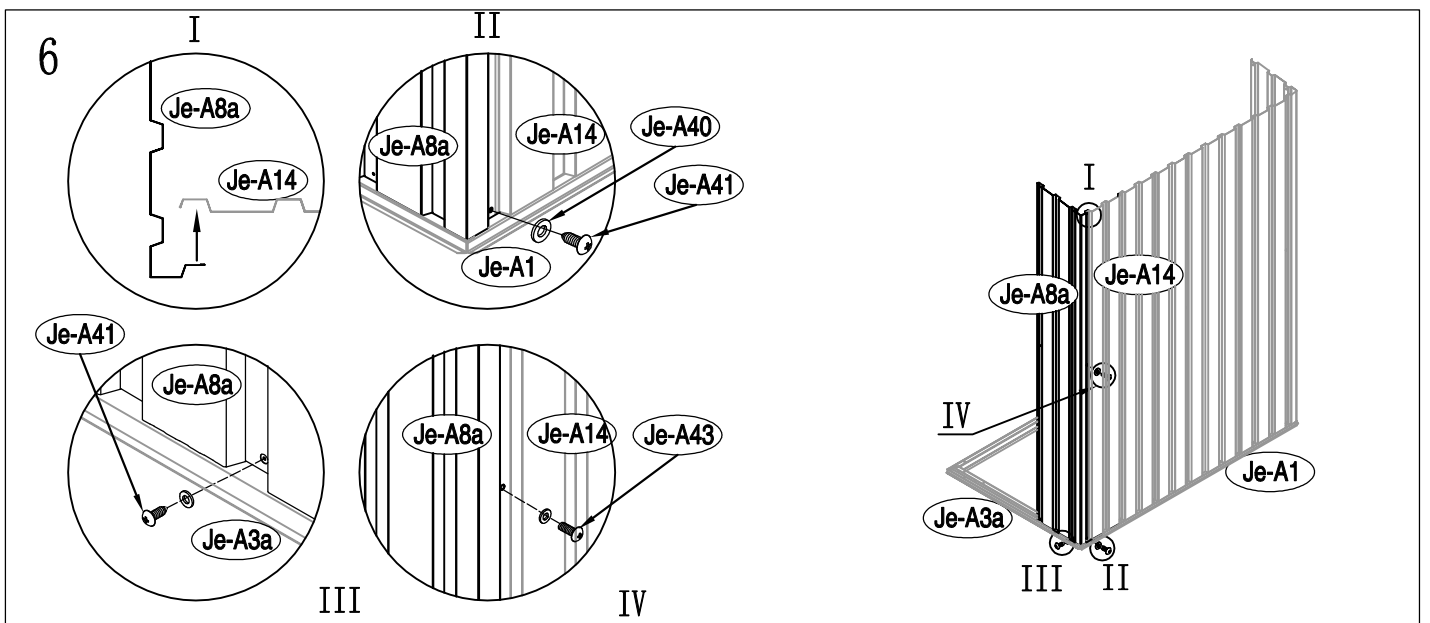
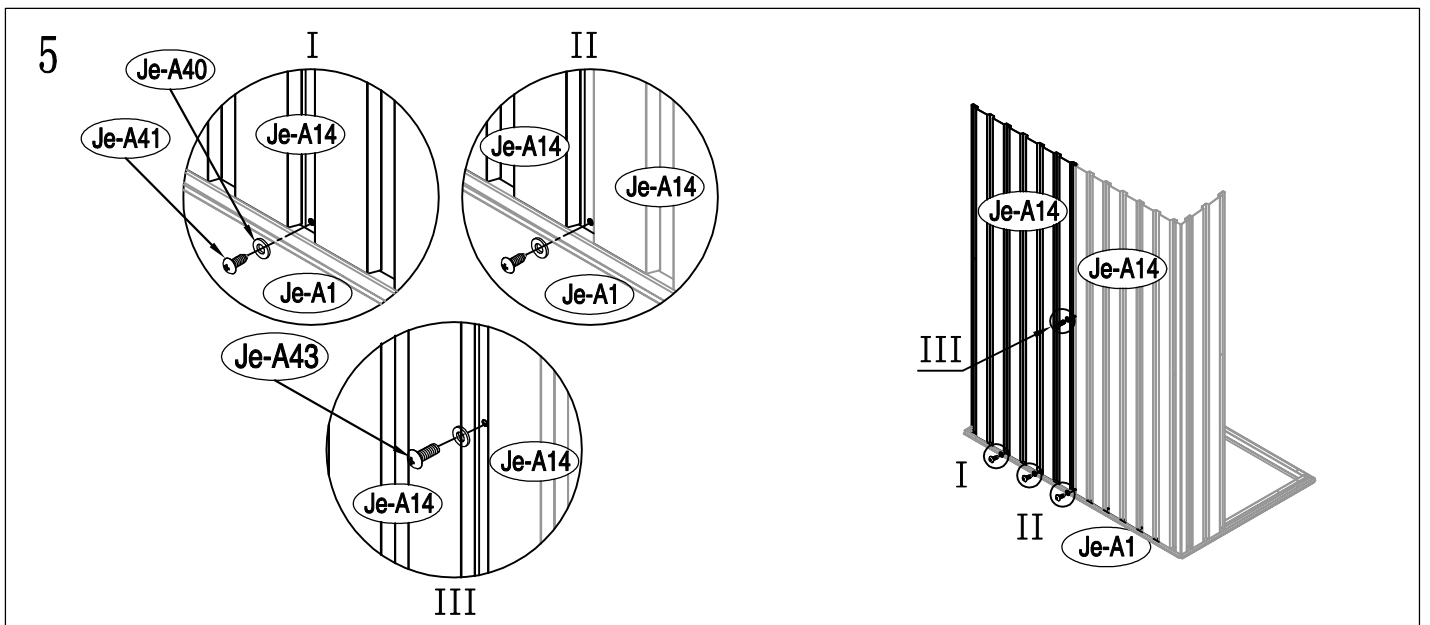
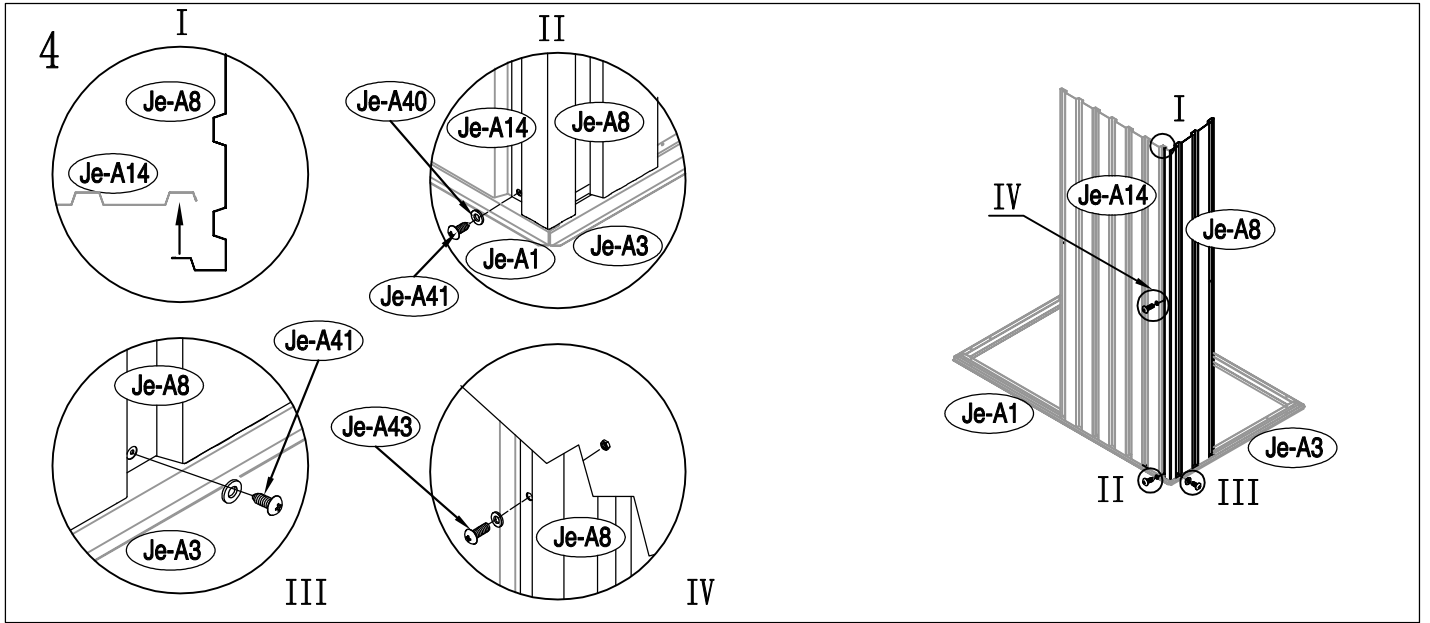


Area of installation requirement:

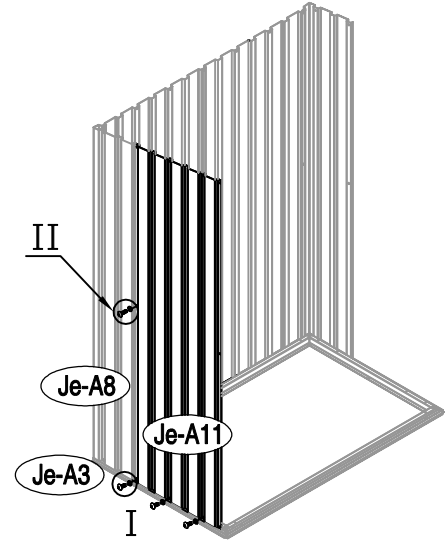
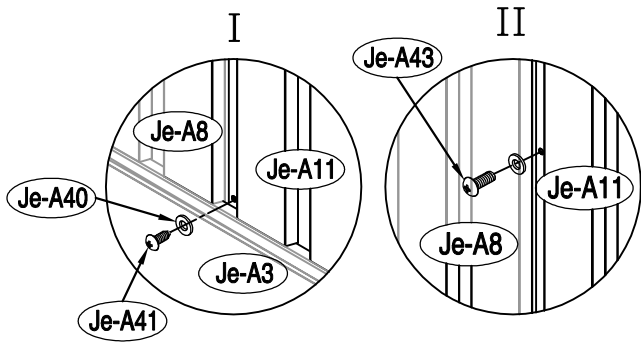




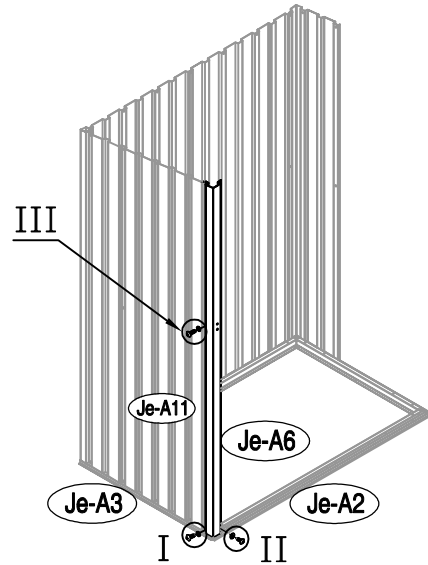
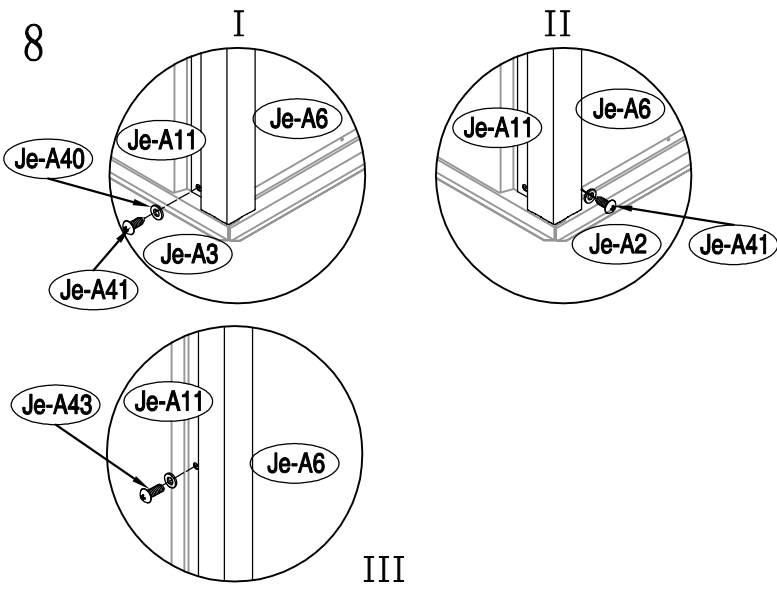




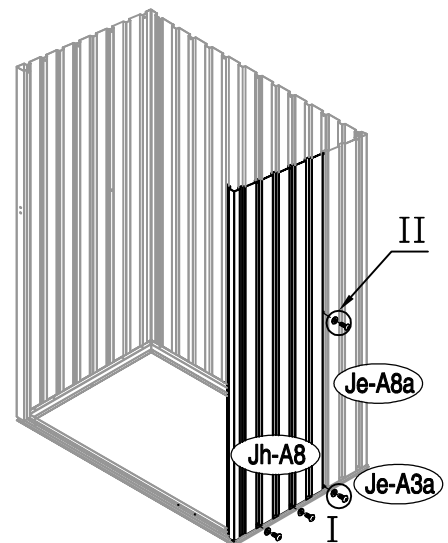
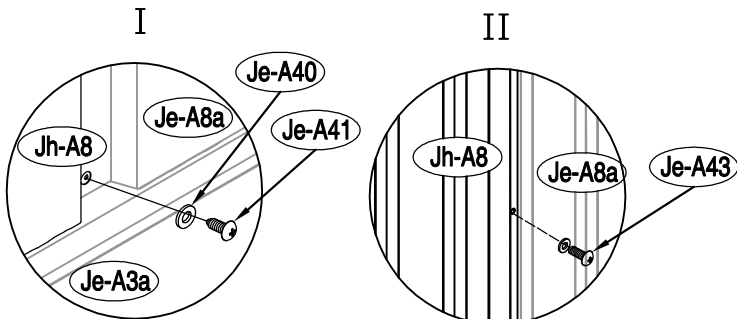
7

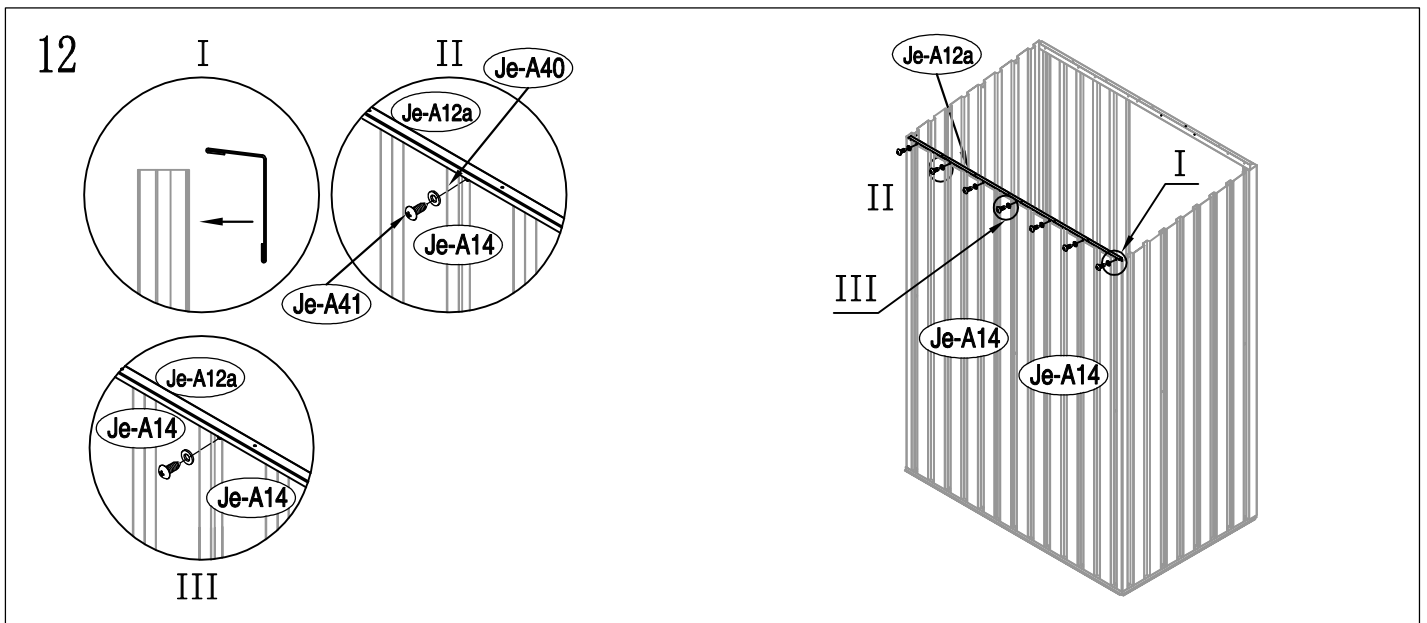
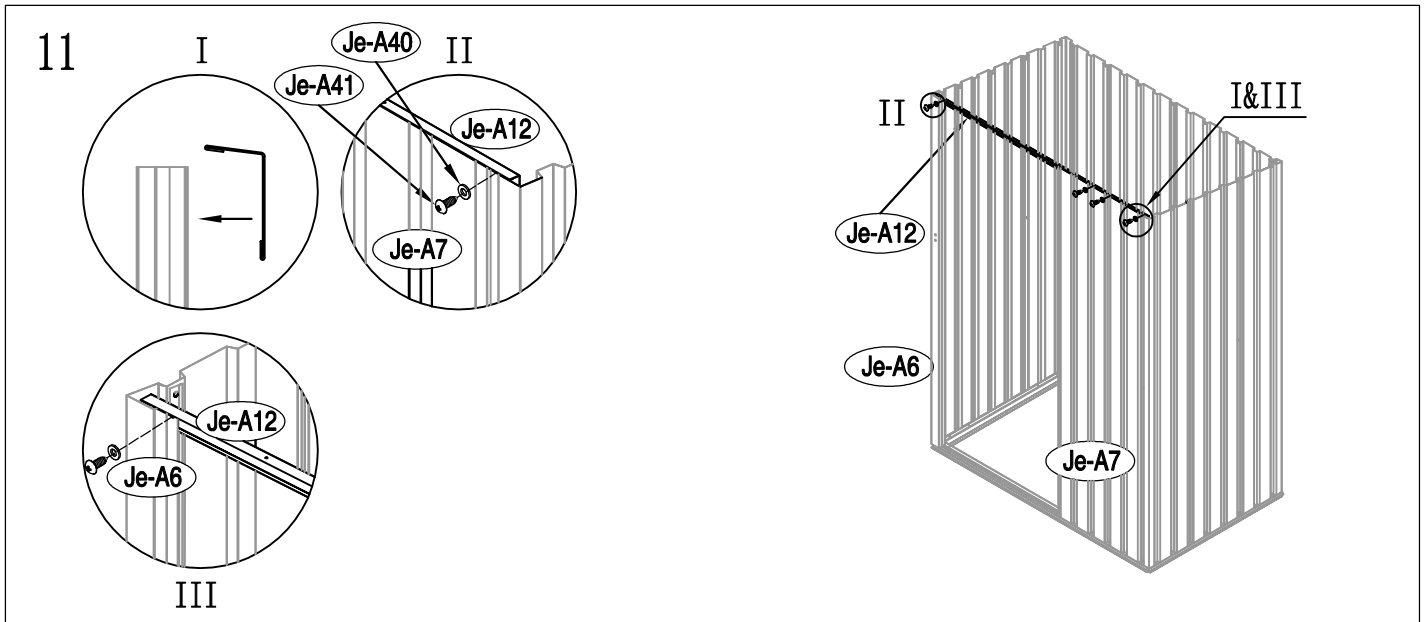
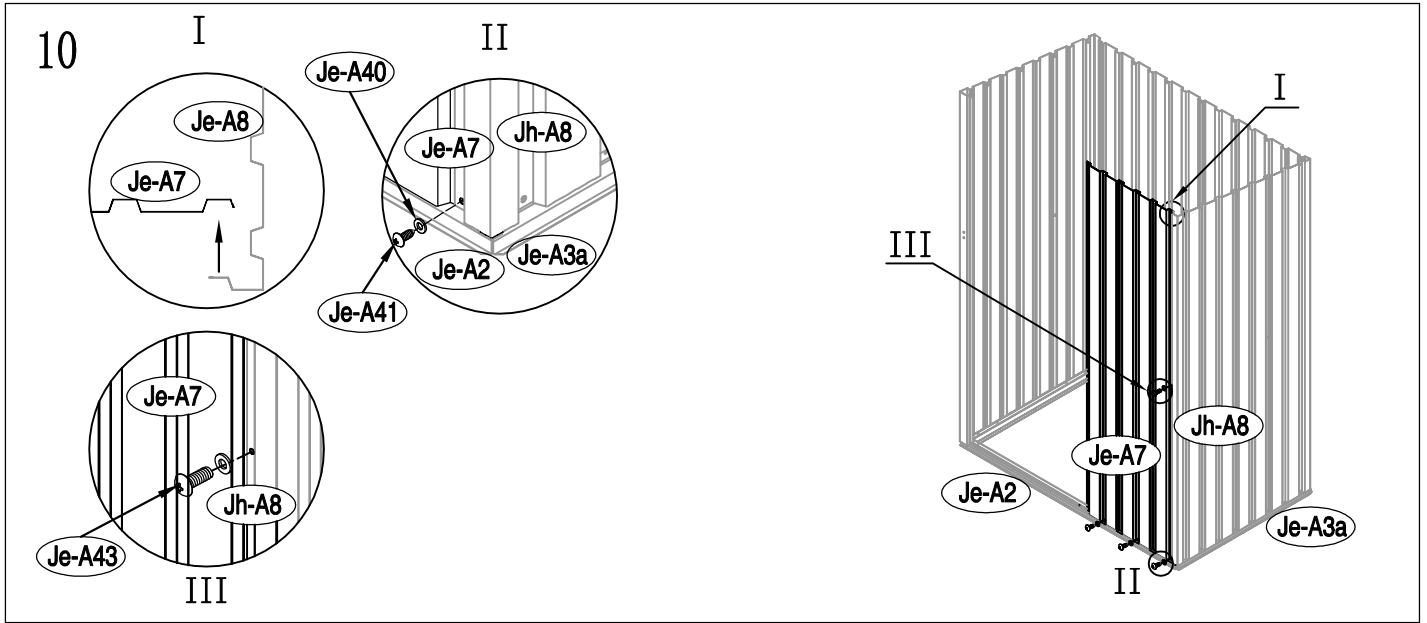


8

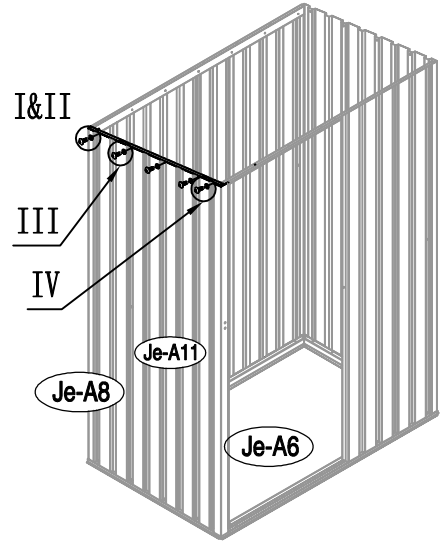
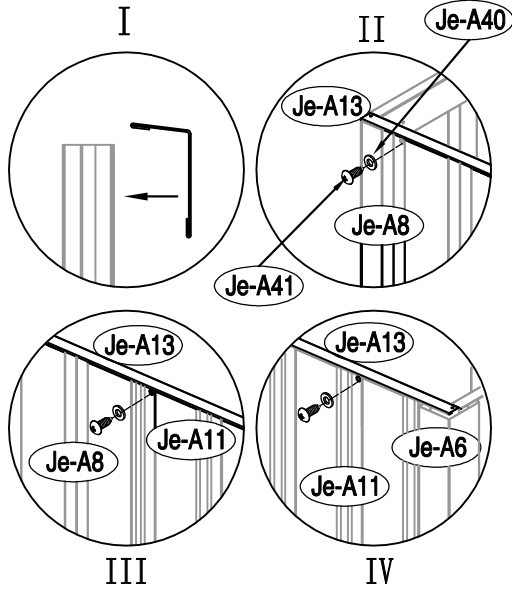


9

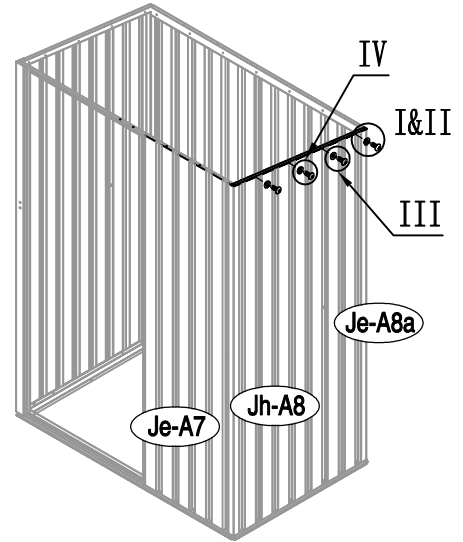
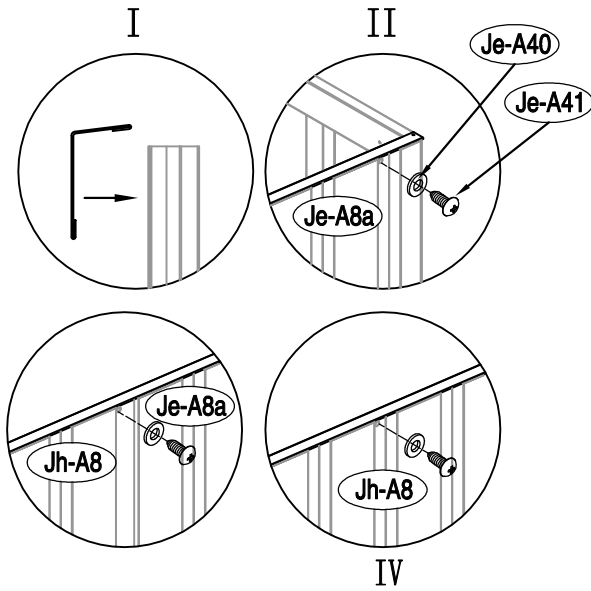




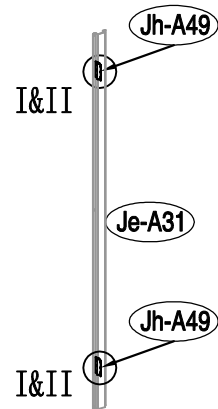
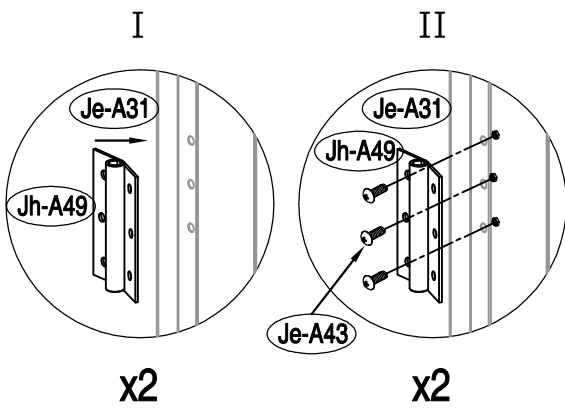
13

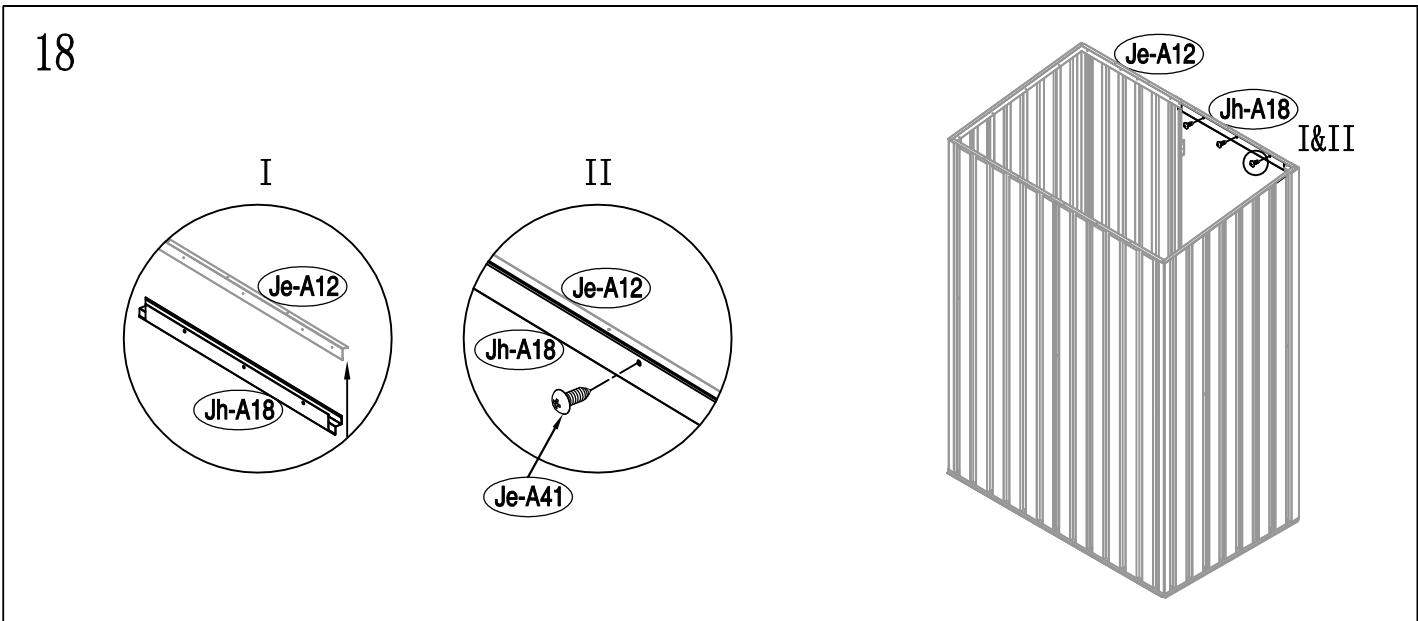
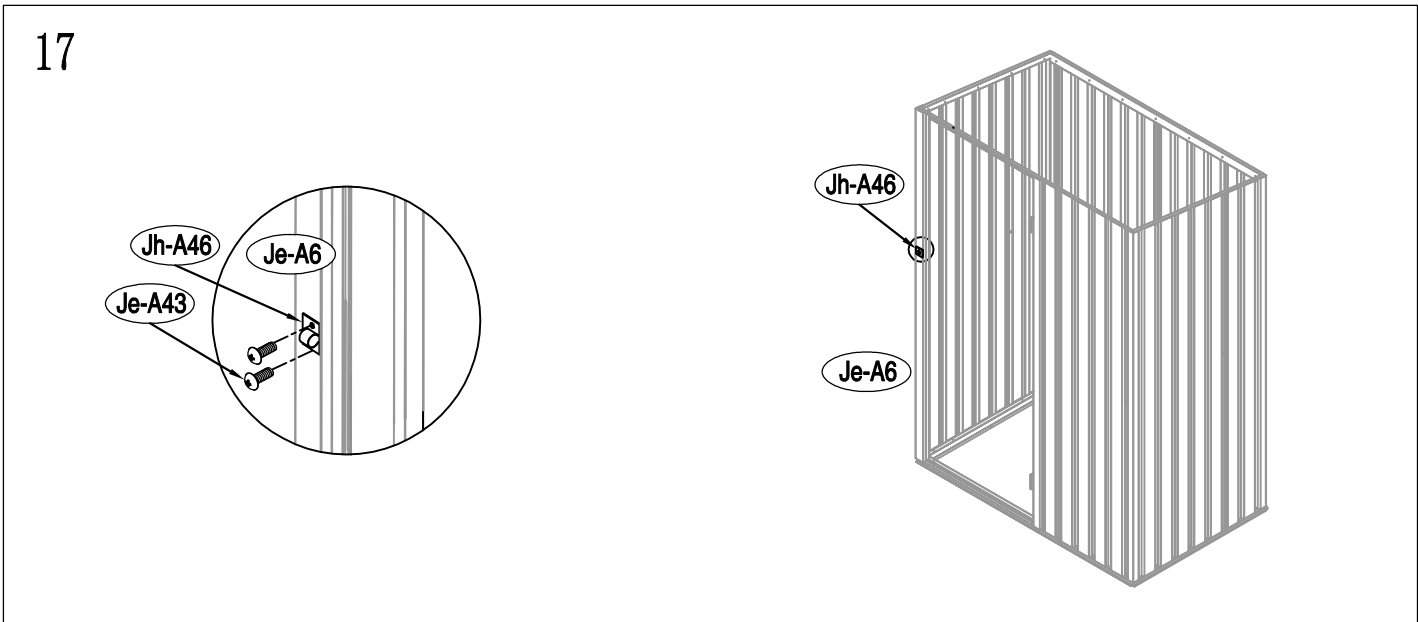
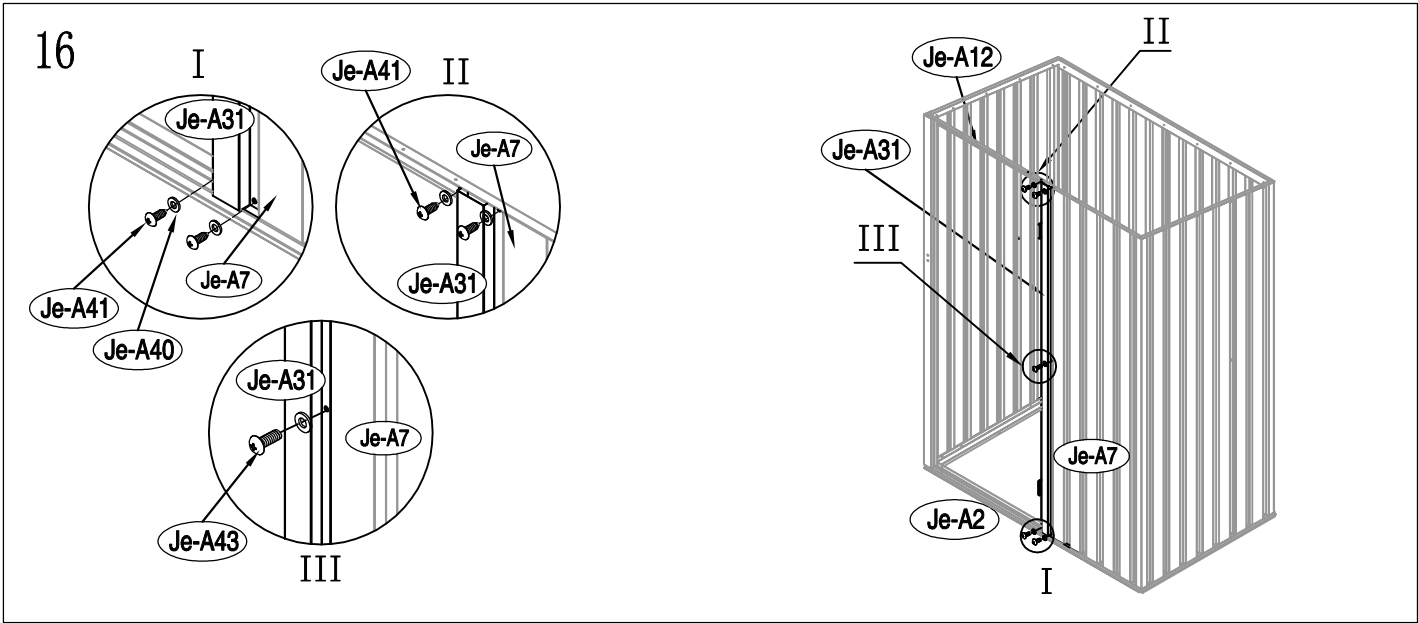


14

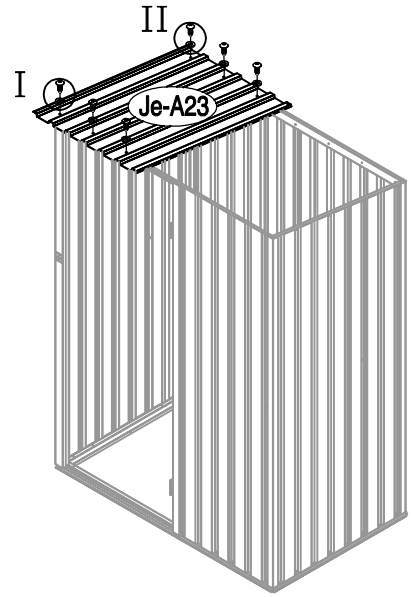
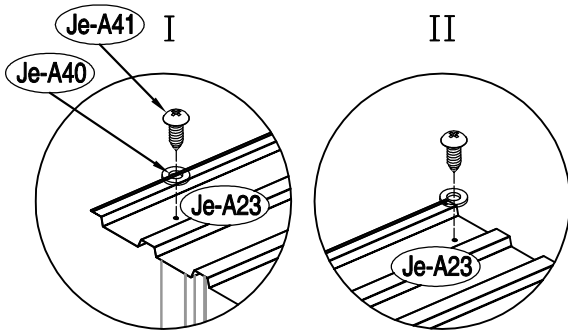


15

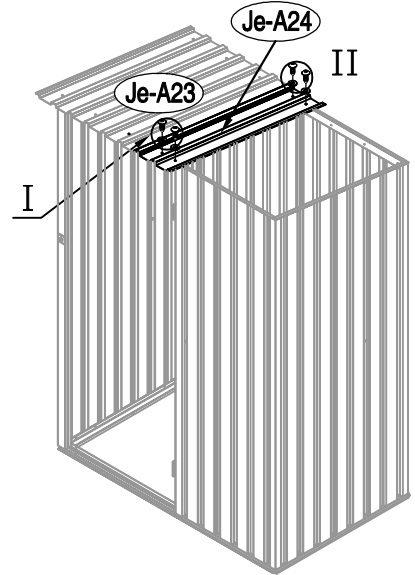
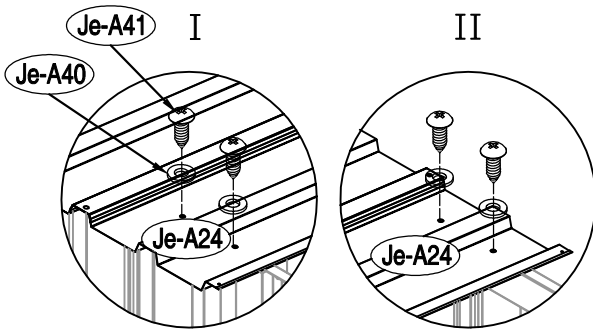




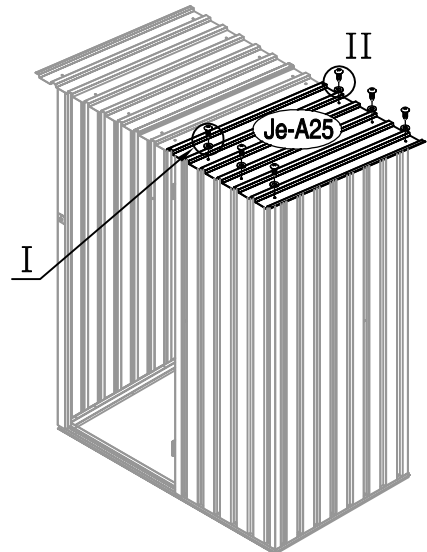
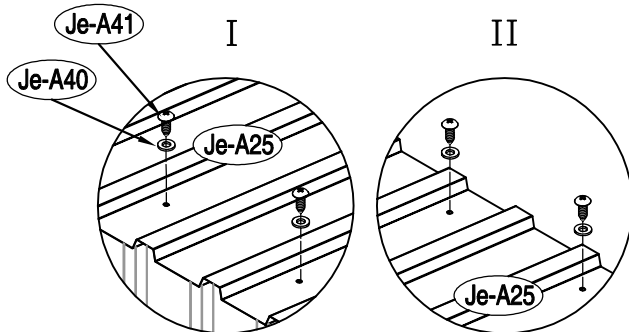
19



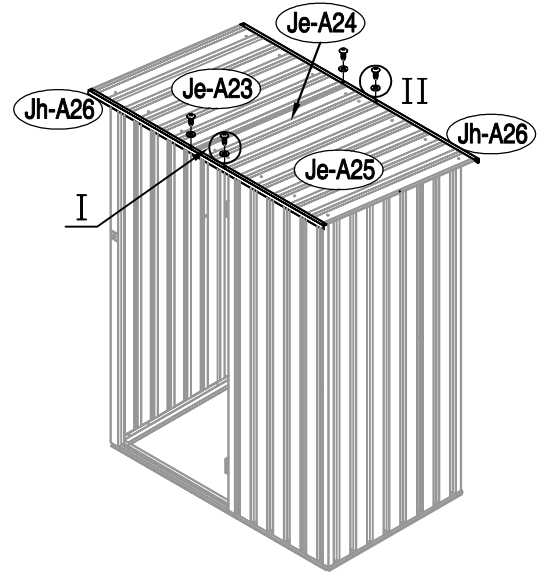
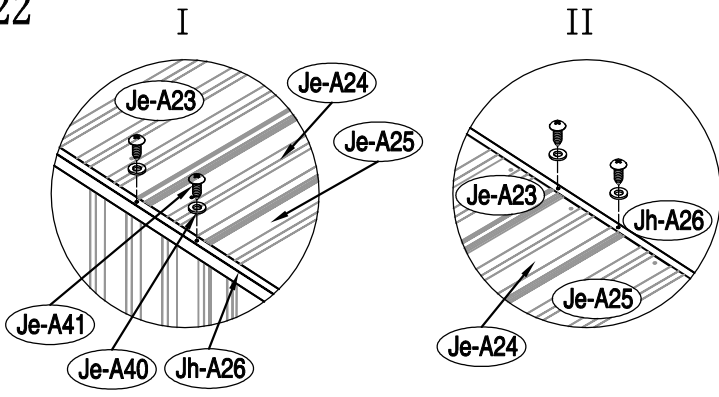
20



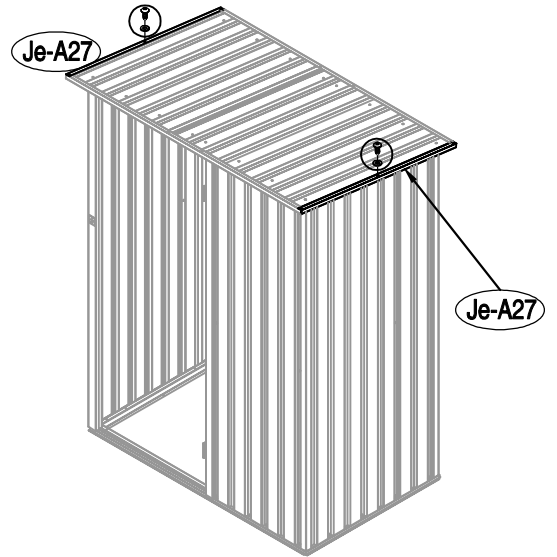
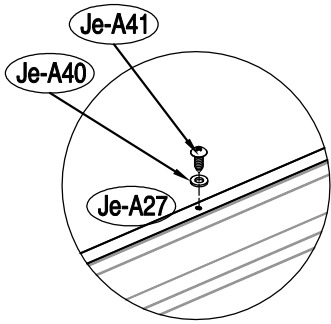
21



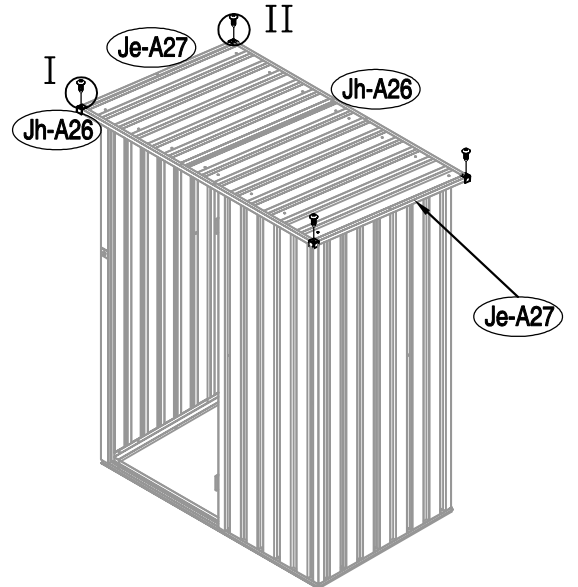
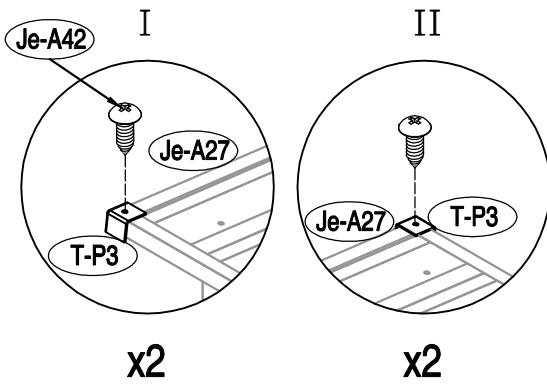
22



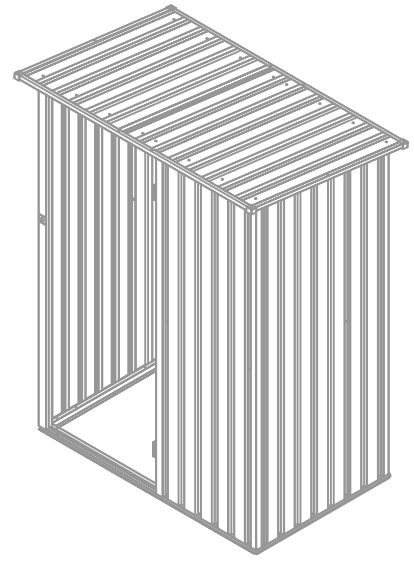
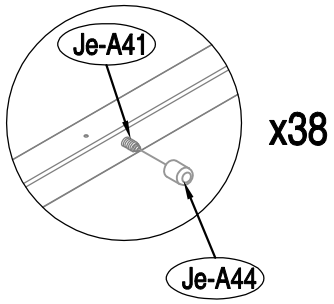
23



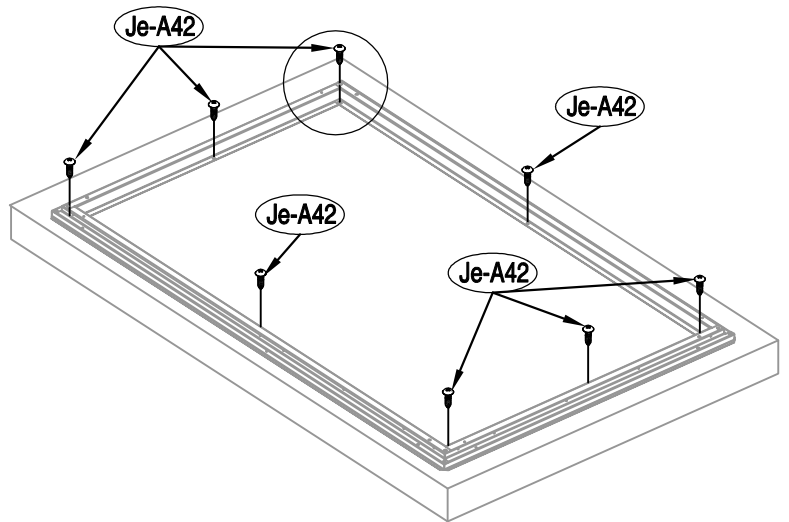
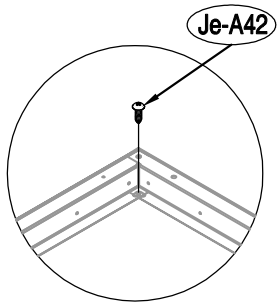
24



25



26



DOOR

