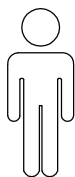
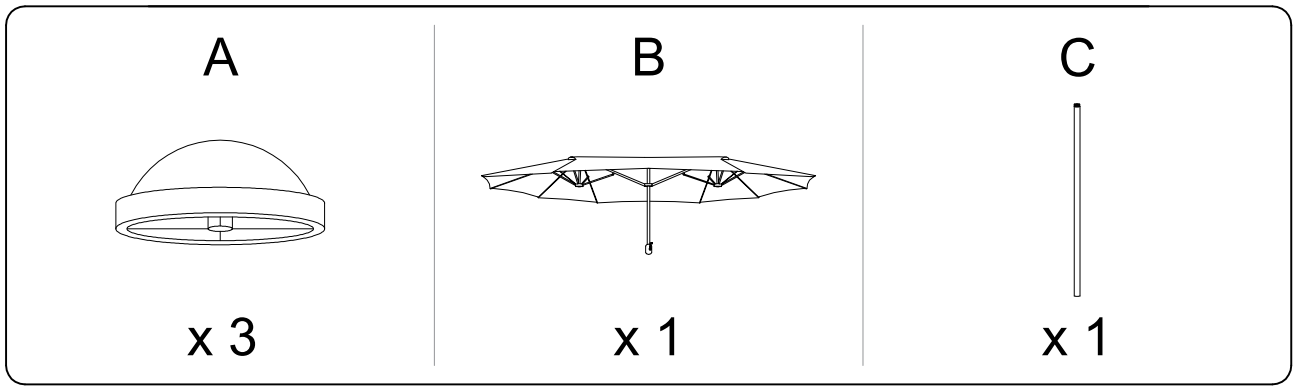


5'

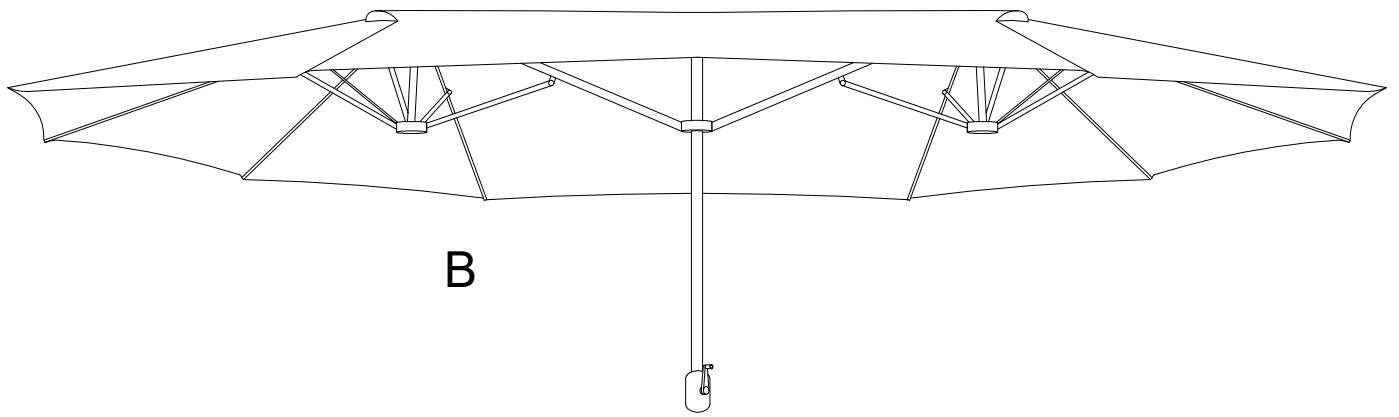


1

1/3



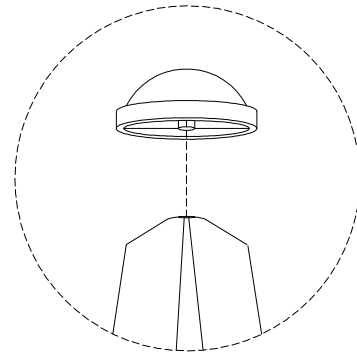
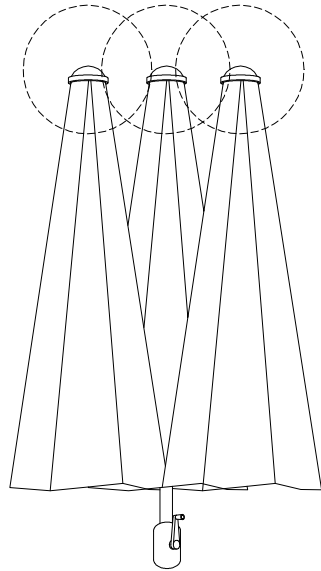
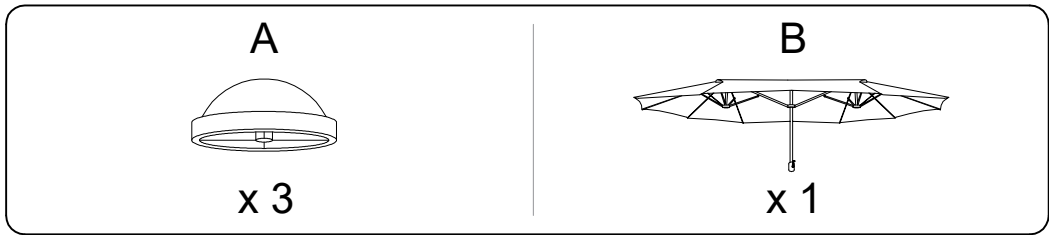
A x 3



C



1



2

