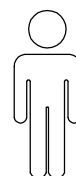
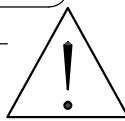
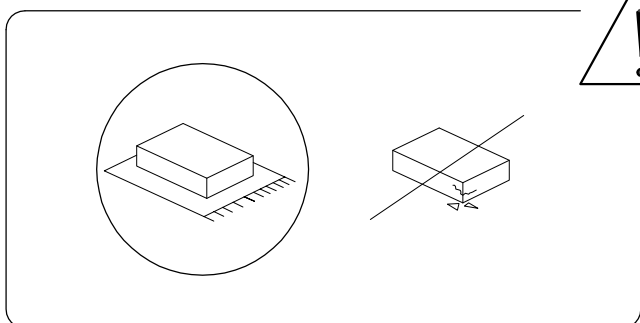
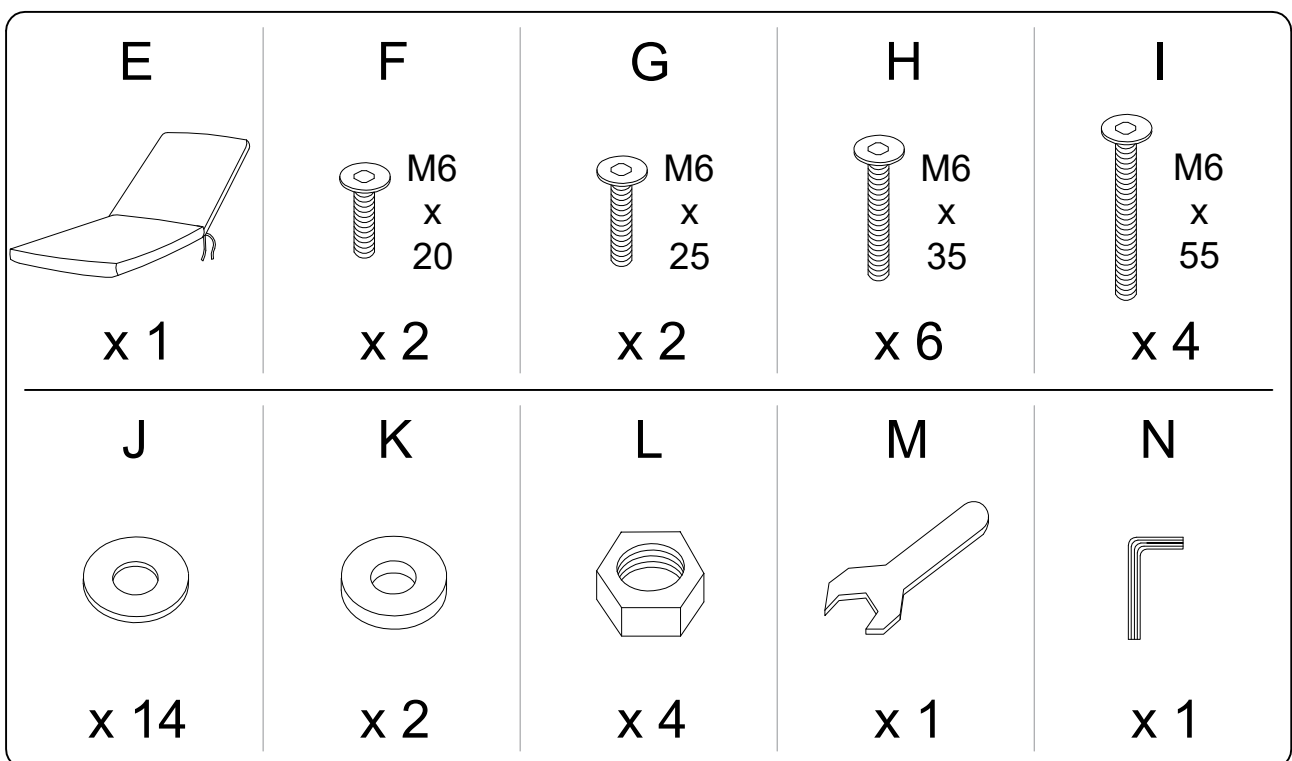
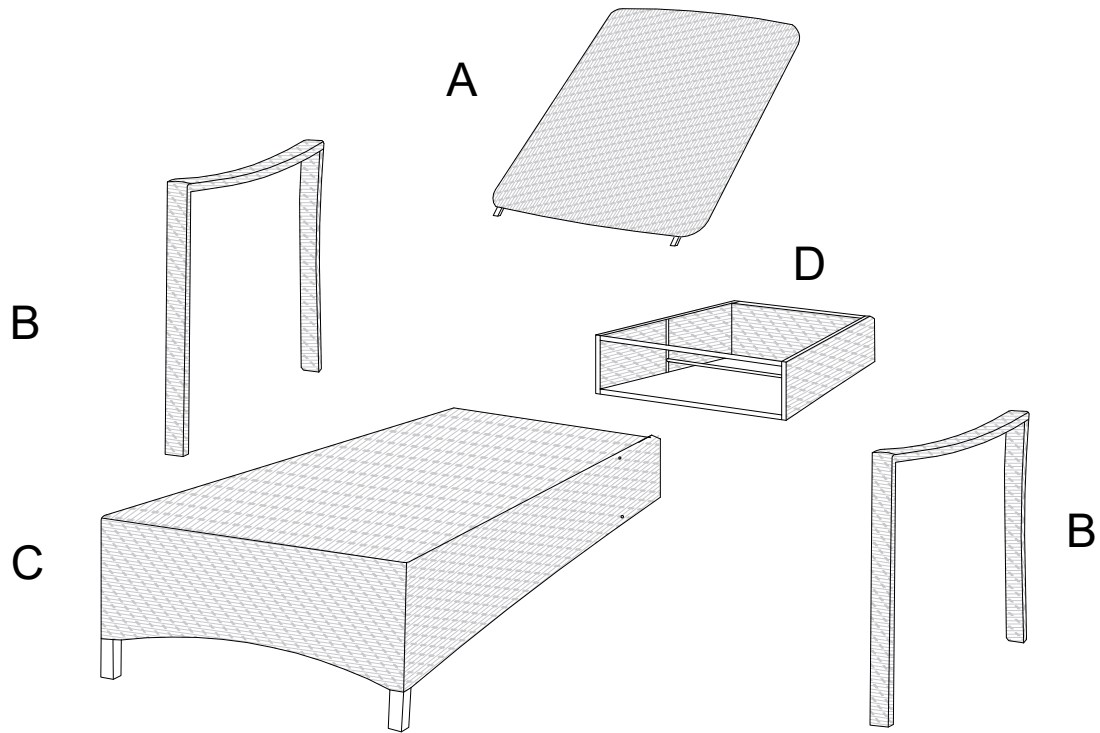
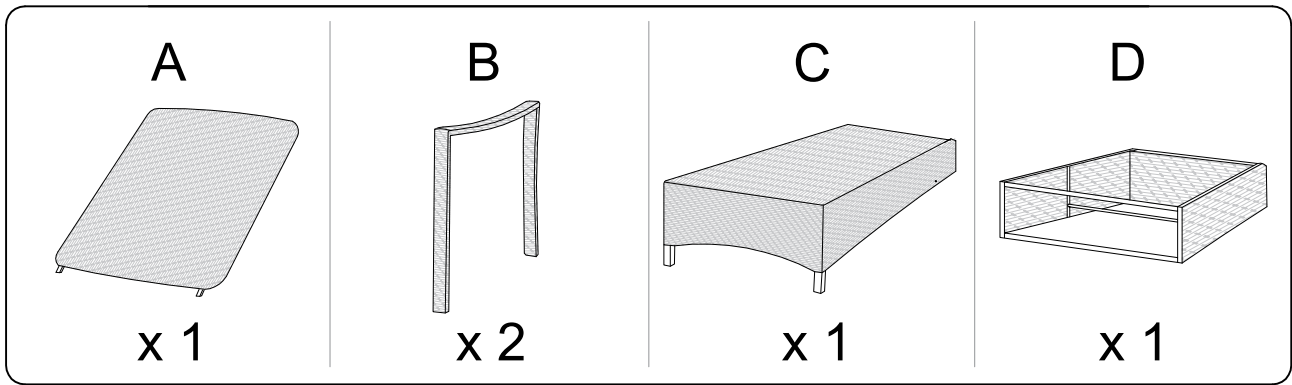


25'

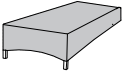
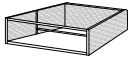
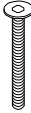
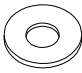
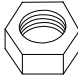
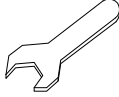



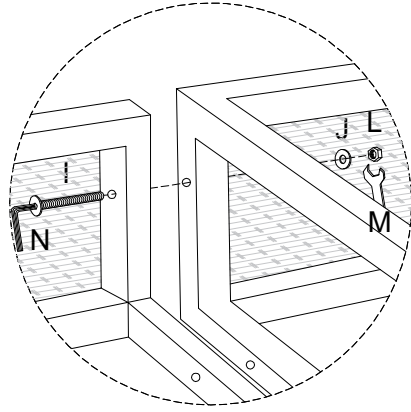
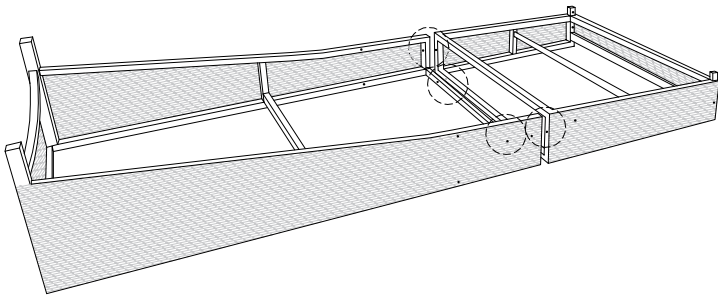
2

1/5

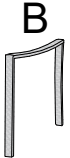

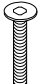
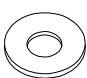



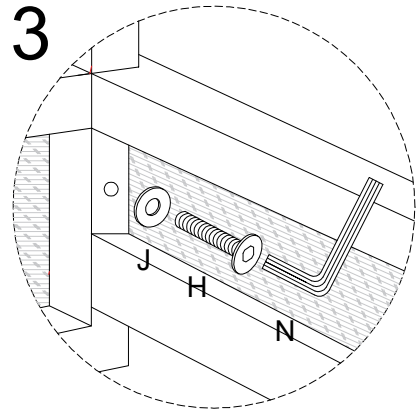
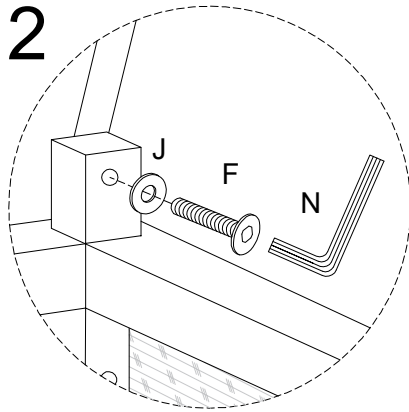
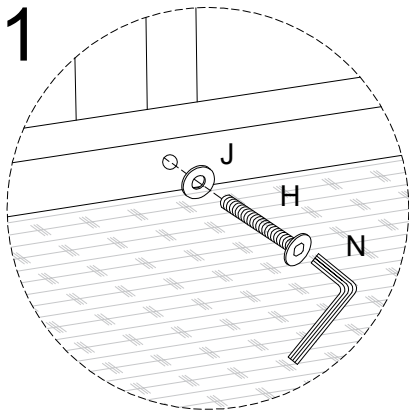
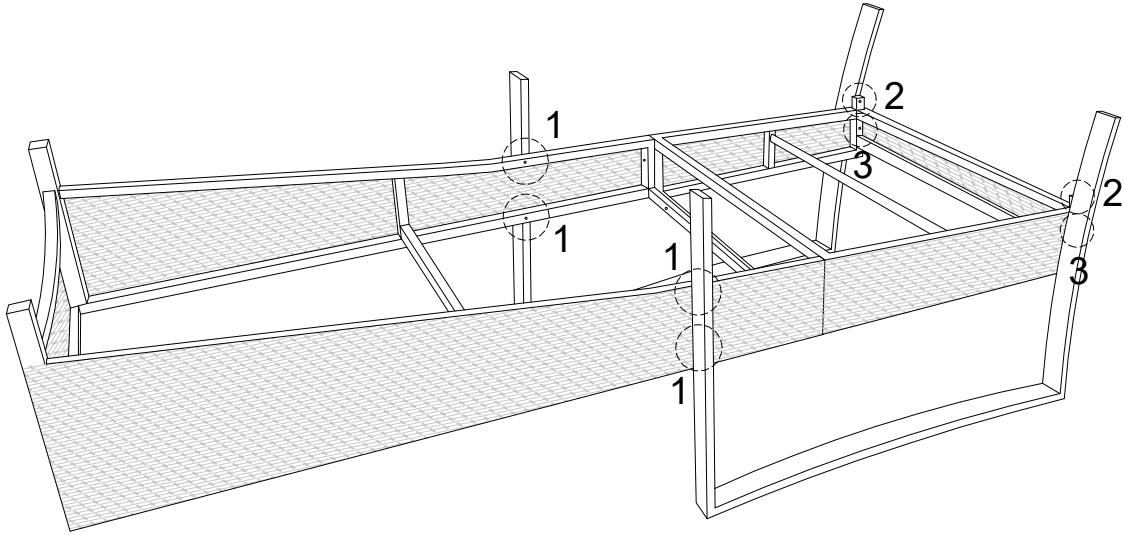
1

<b>C</b>  x 1	<b>D</b>  x 1	<b>I</b>  M6 x 55 x 4	<b>J</b>  x 4	<b>L</b>  x 4	<b>M</b>  x 1	<b>N</b>  x 1
--	--	---	--	---	--	--

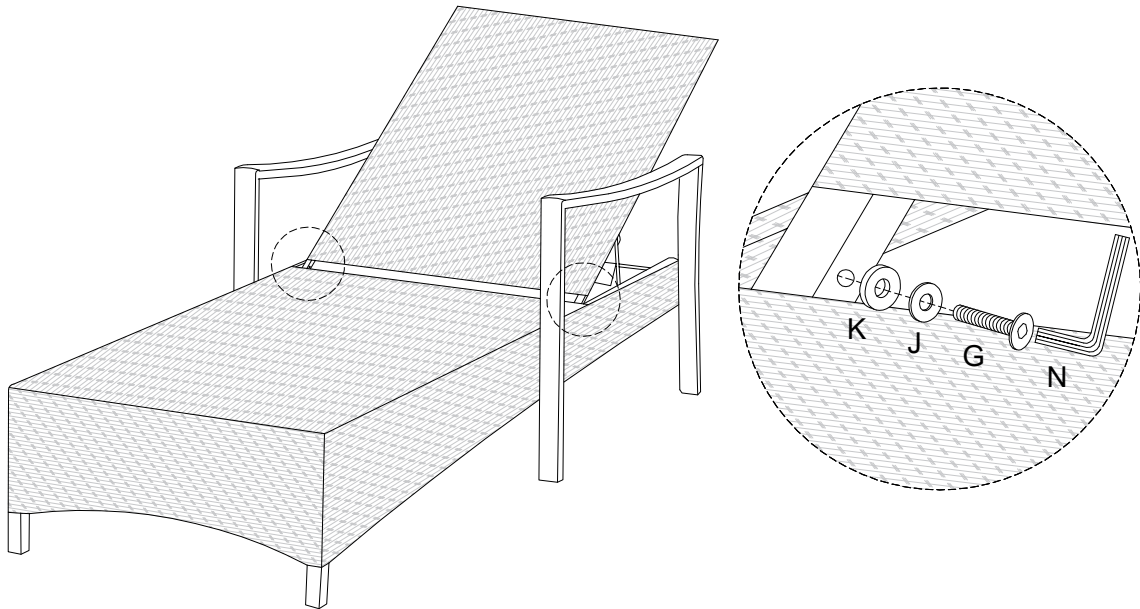
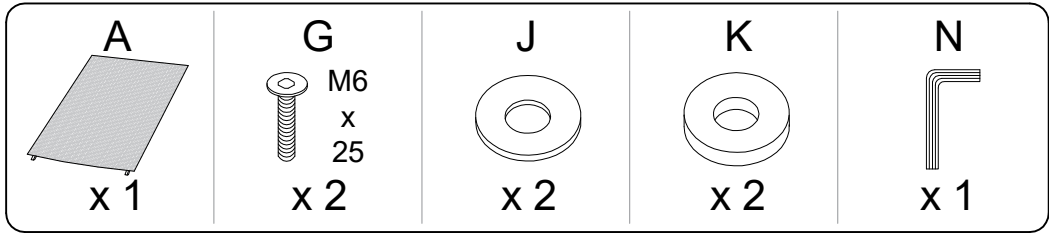


2

 B x 2	 F M6 x 20 x 2	 H M6 x 35 x 6	 J x 8	 N x 1
---	---	---	---	---



3



4

