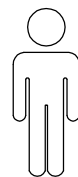
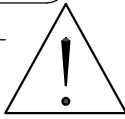
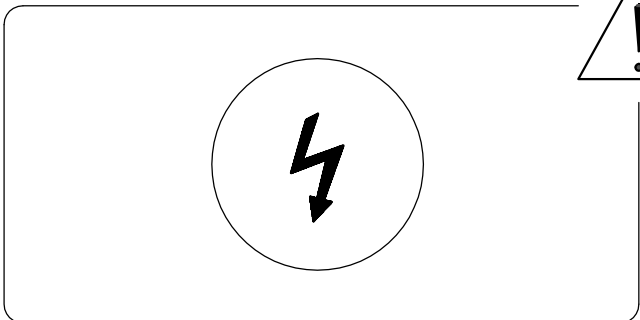
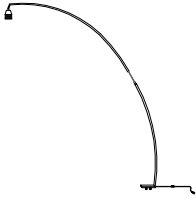



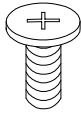


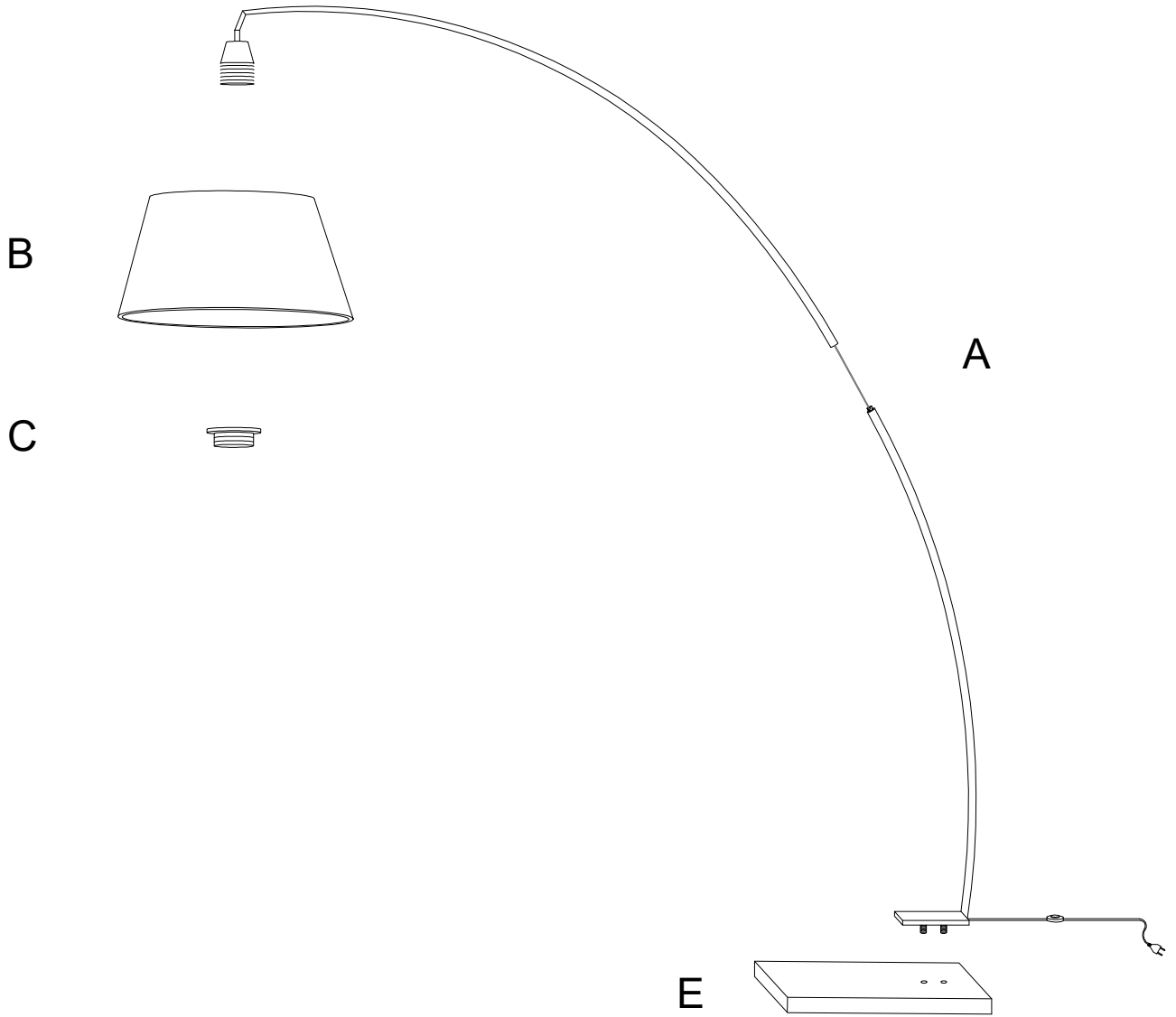
10'

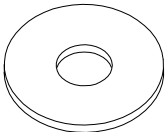
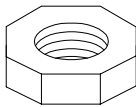
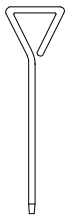
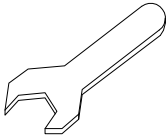


1

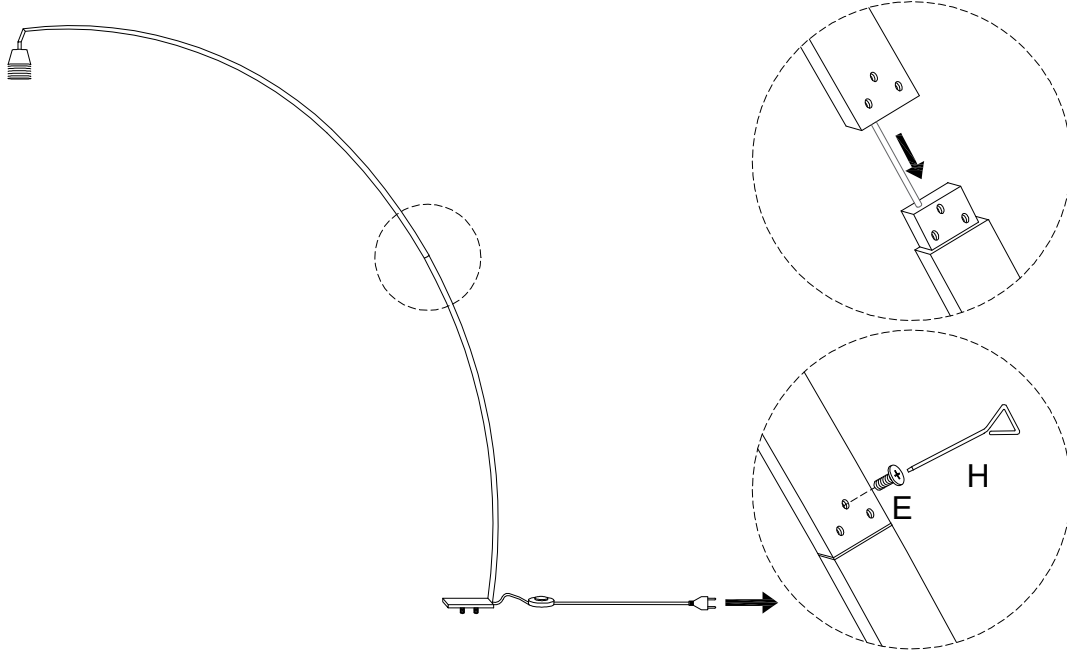
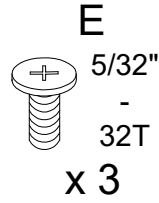
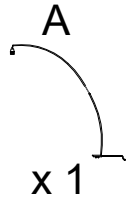
1/4

<p>A</p>  <p>x 1</p>	<p>B</p>  <p>x 1</p>	<p>C</p>  <p>x 1</p>	<p>D</p>  <p>x 1</p>	<p>E</p>  <p>5/32" - 32T</p> <p>x 3</p>
---	---	---	--	--

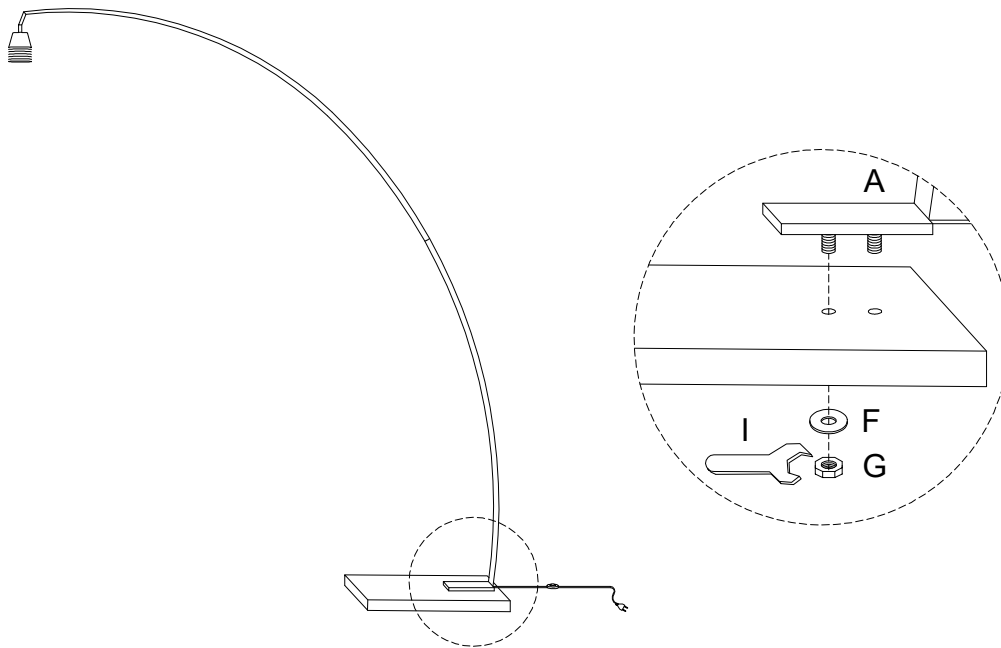
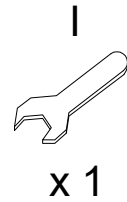
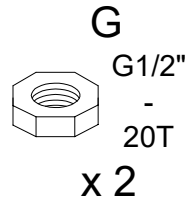
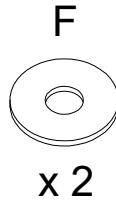
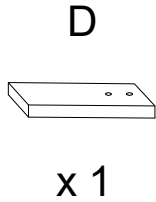


<p>F</p>  <p>x 2</p>	<p>G</p>  <p>G1/2" - 20T</p> <p>x 2</p>	<p>H</p>  <p>x 1</p>	<p>I</p>  <p>x 1</p>
---	--	---	---

1



2



3

B

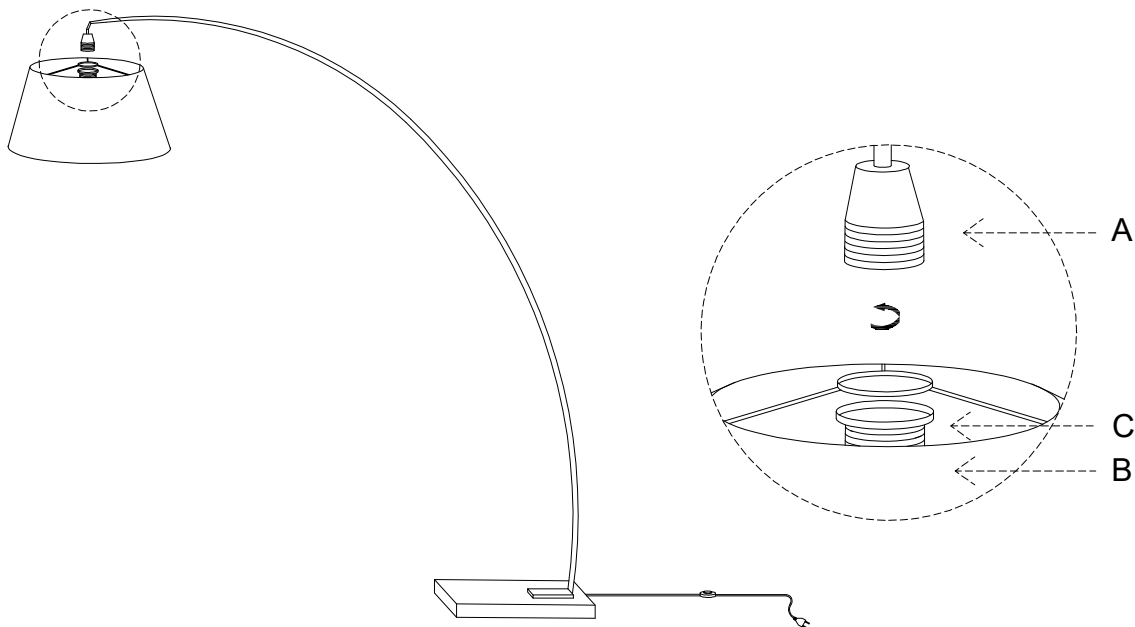


x 1

C



x 1



4

