

A



A

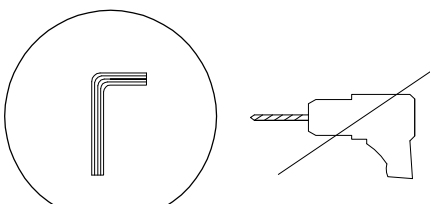

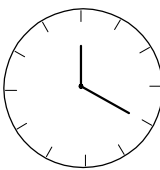
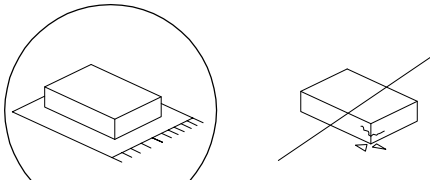
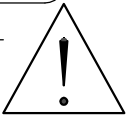
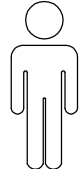


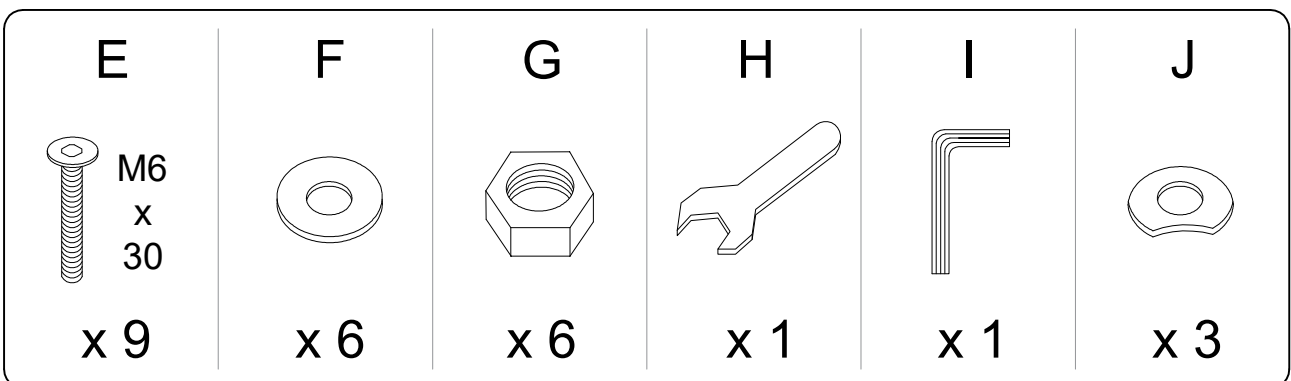
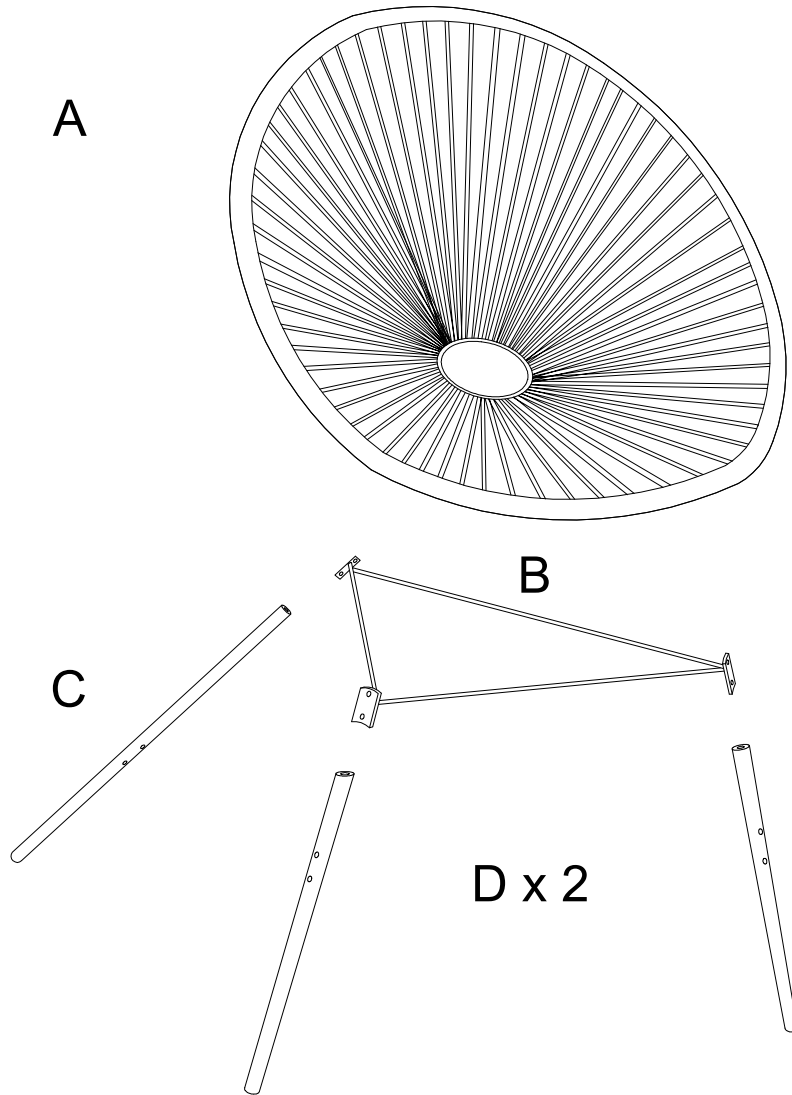
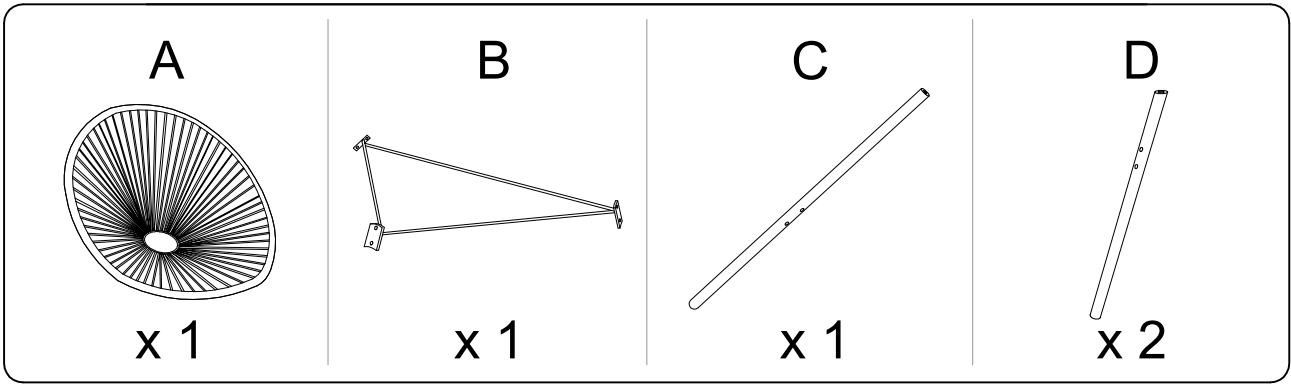
B



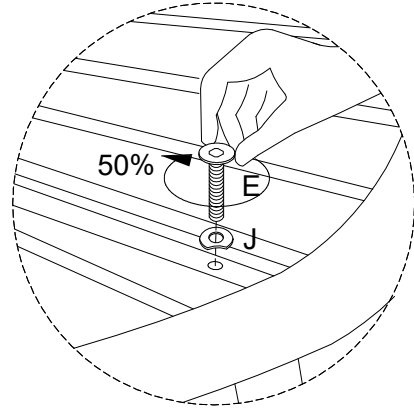
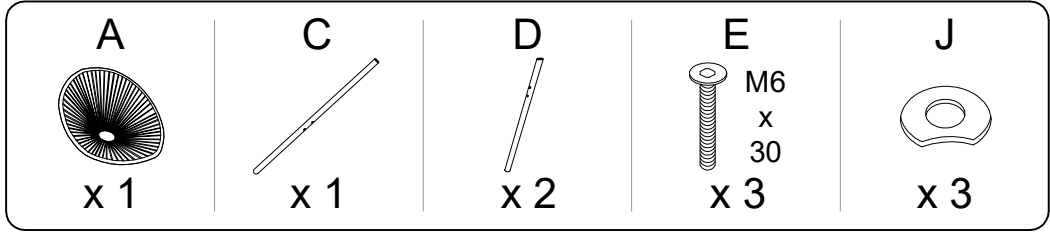
A x 2



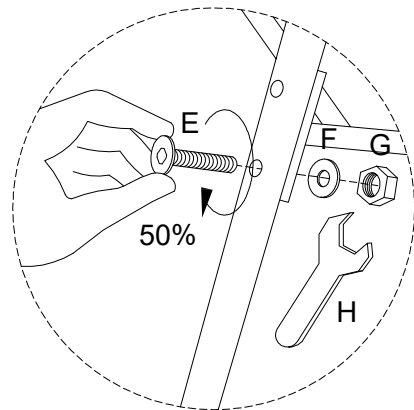
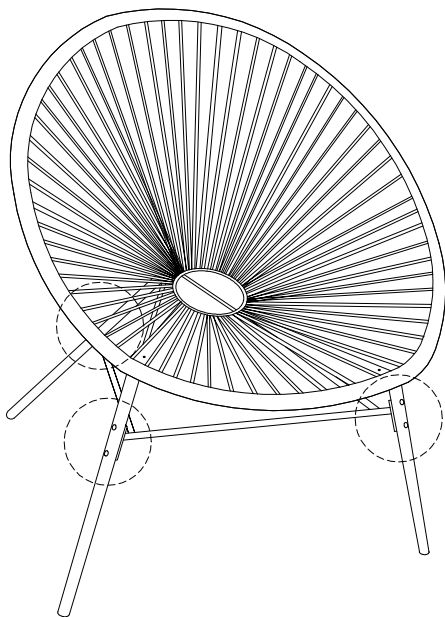
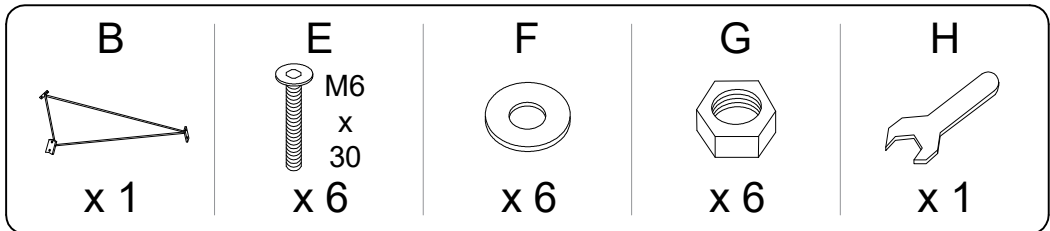
		
		20'
		
		1



1

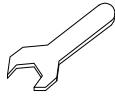


2



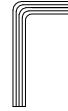
1

H

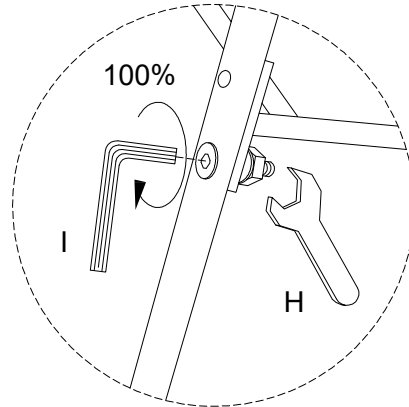
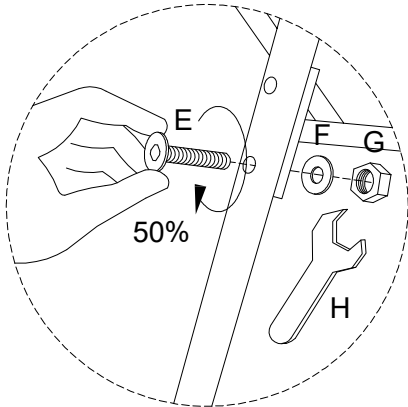
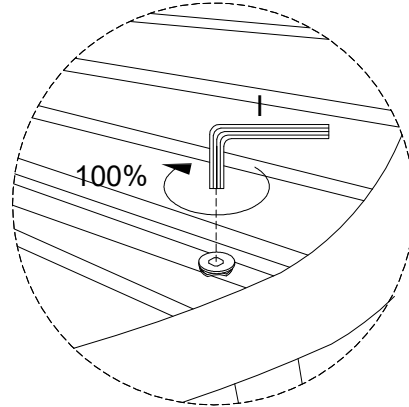
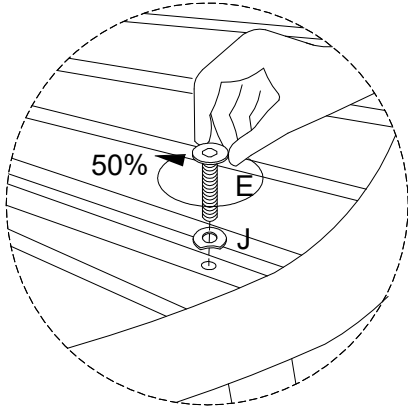


x 1

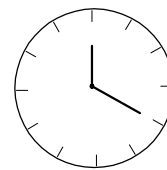
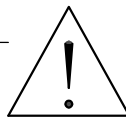
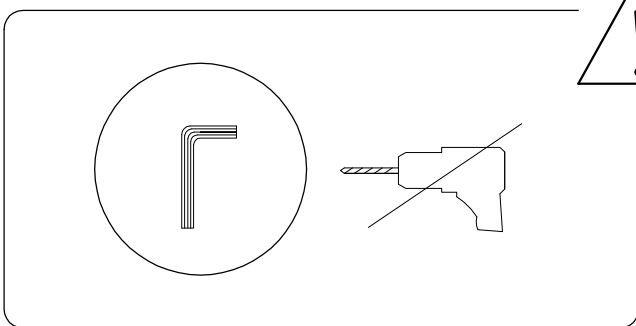
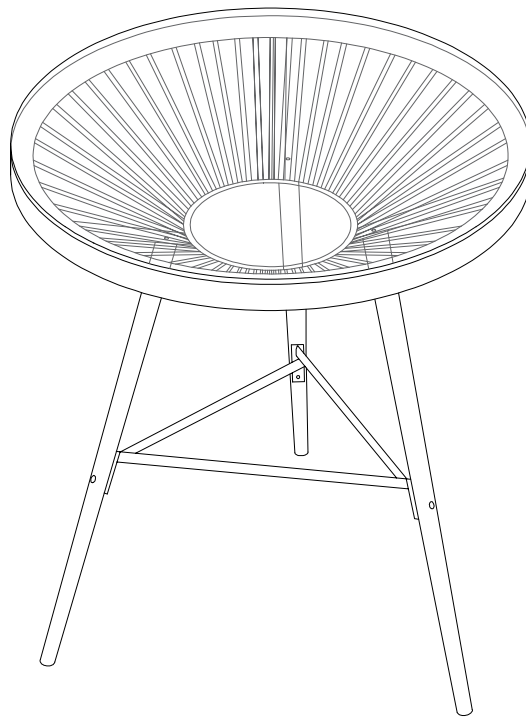
I



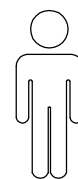
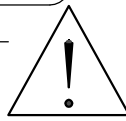
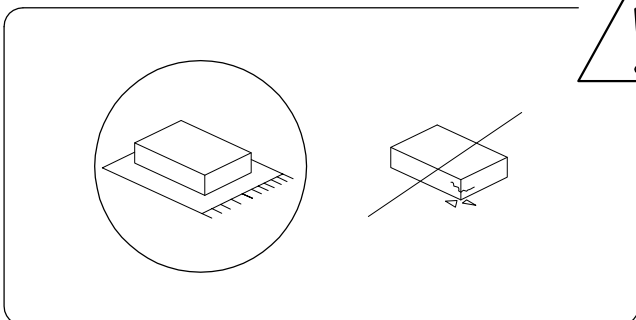
x 1




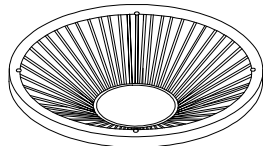
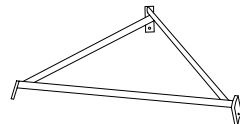
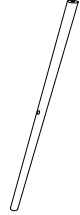
B

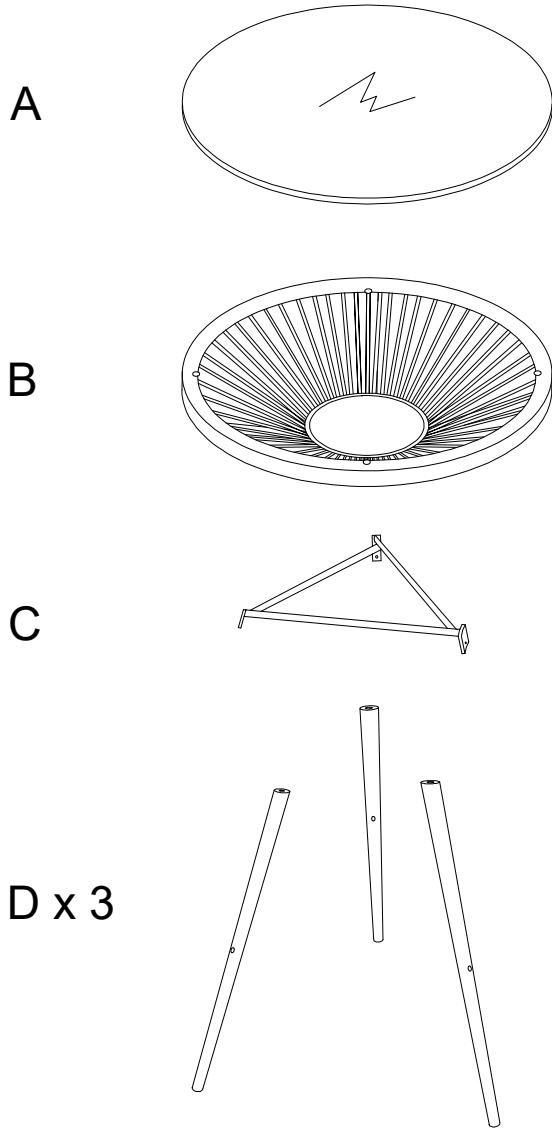


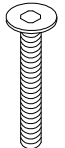
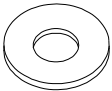
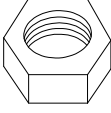
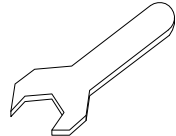
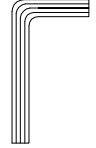
20'



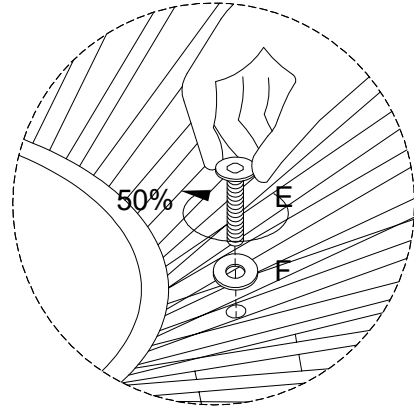
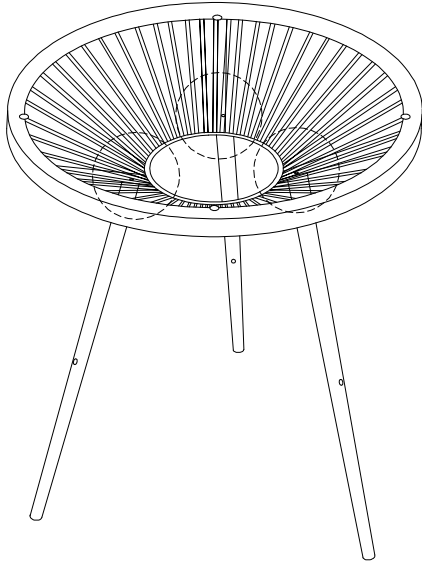
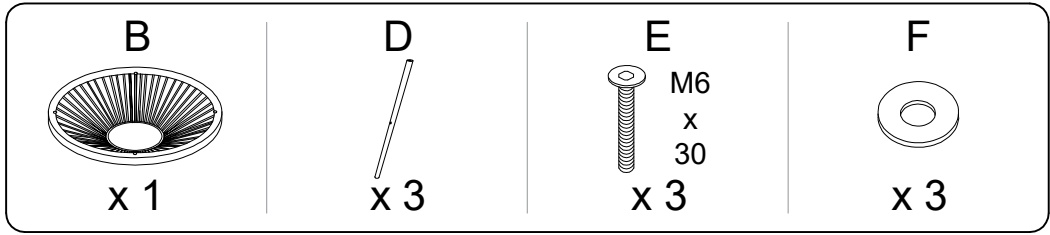
1

A	B	C	D
			
x 1	x 1	x 1	x 3

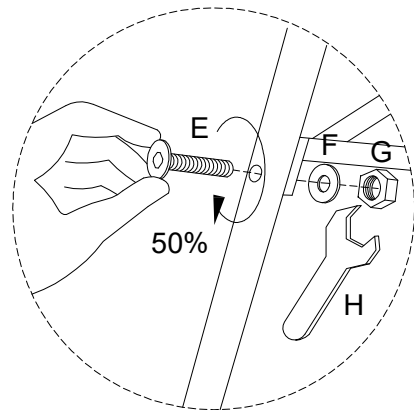
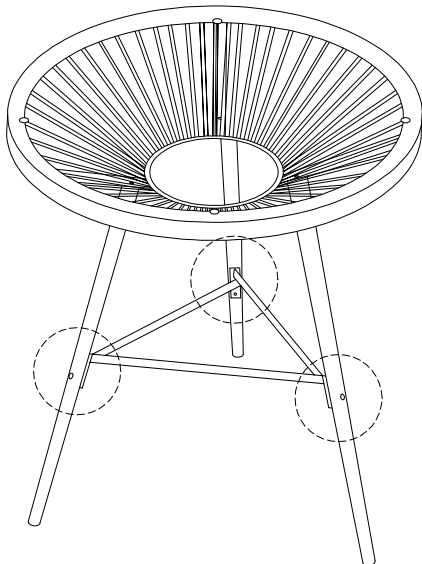
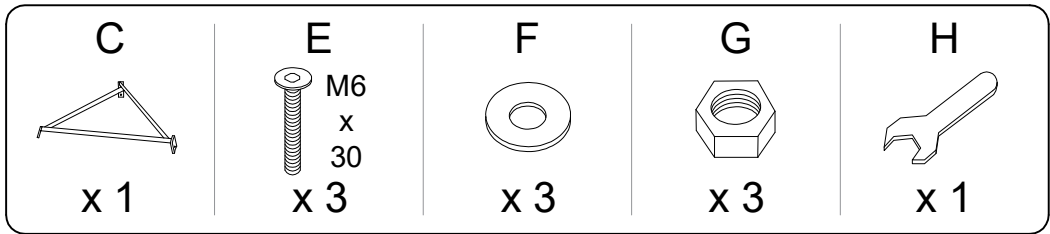


E	F	G	H	I
 M6 x 30				
x 6	x 6	x 3	x 1	x 1

1

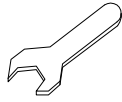


2



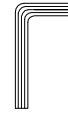
3

H

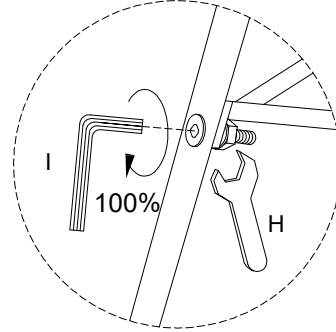
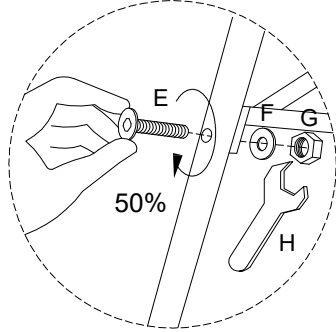
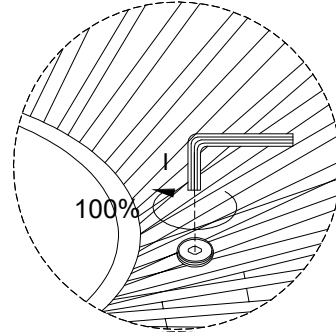
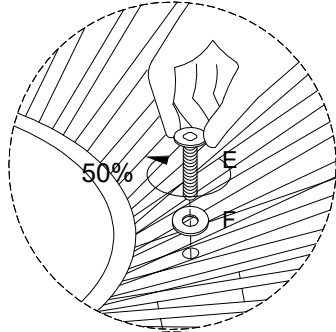


x 1

I



x 1



4

A



x 1

