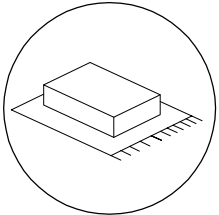
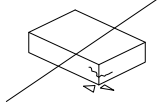
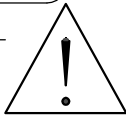
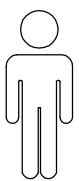
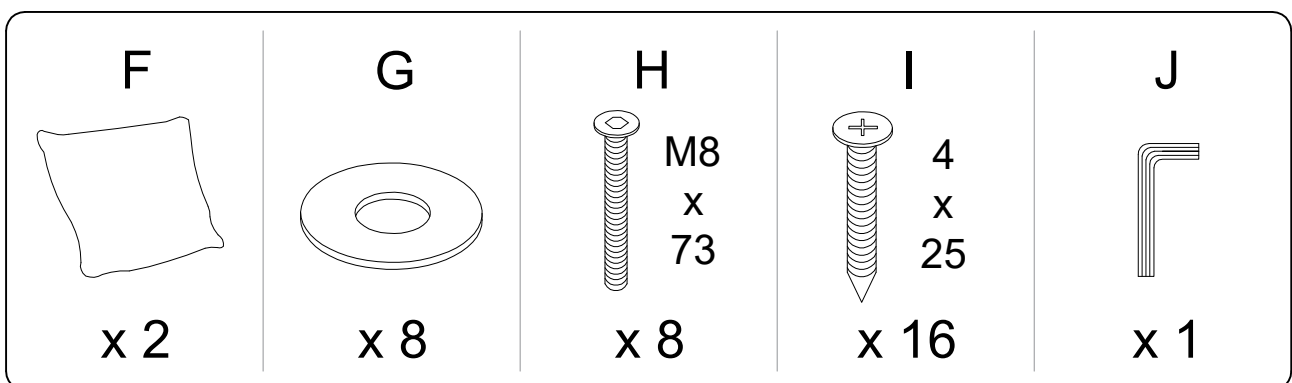
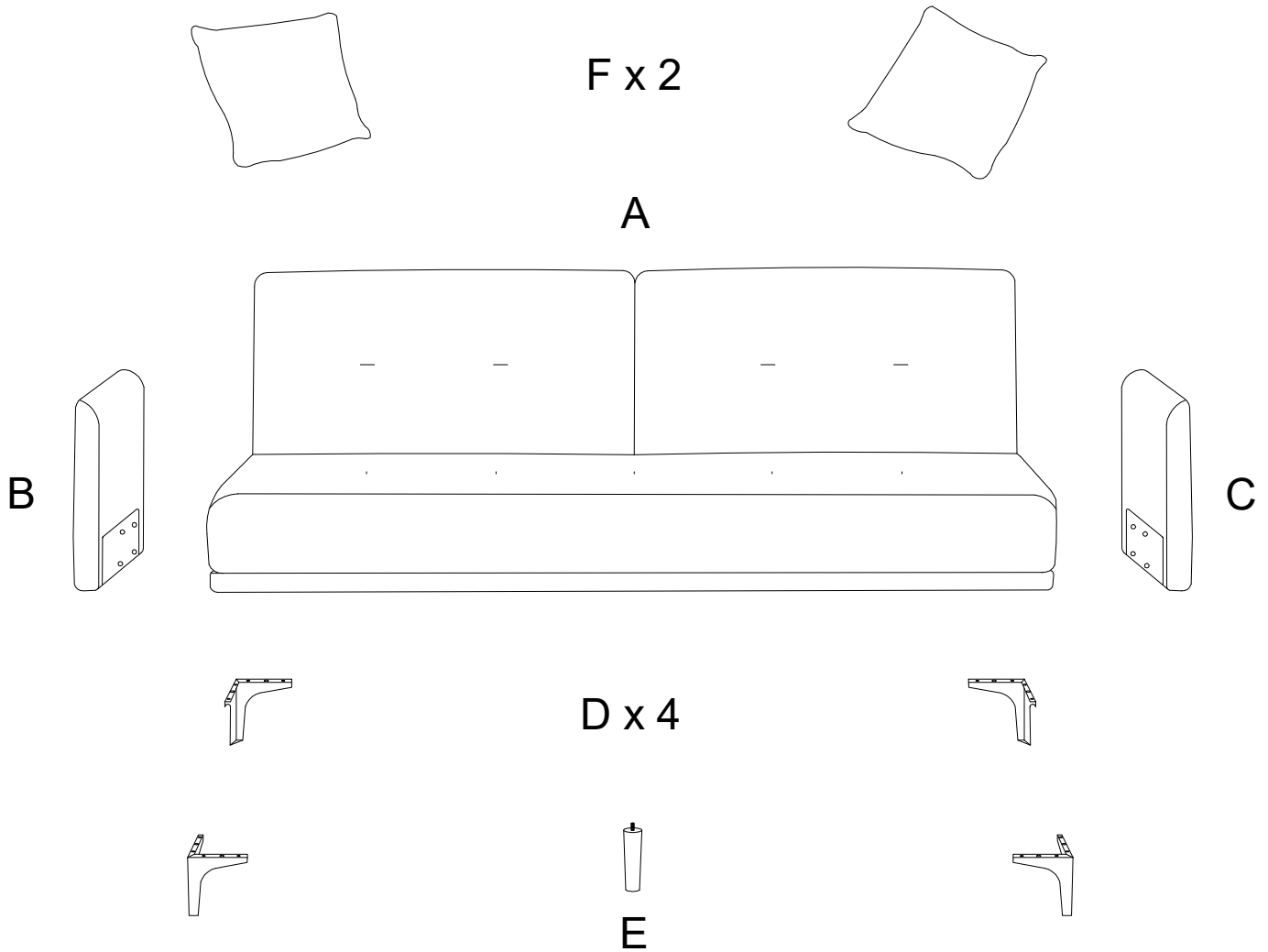
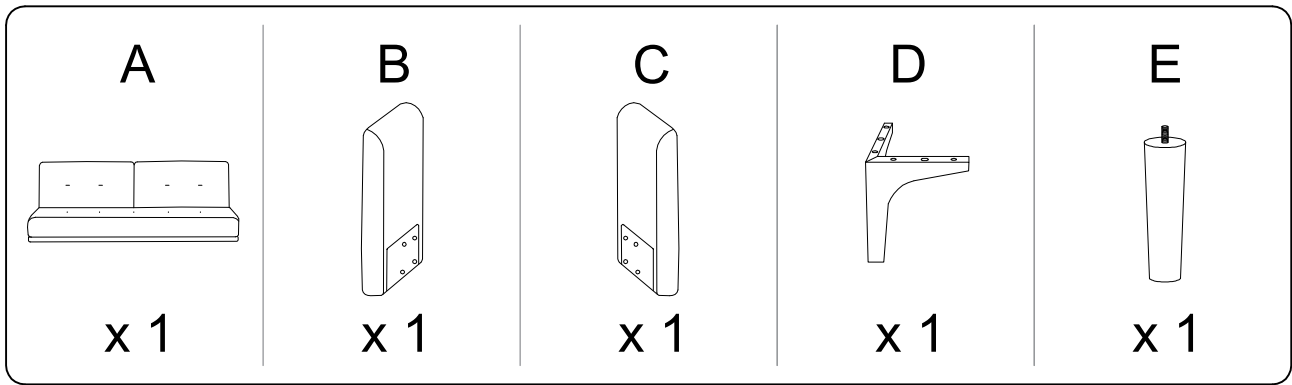
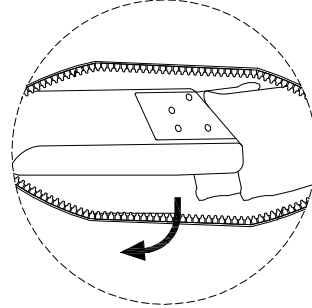
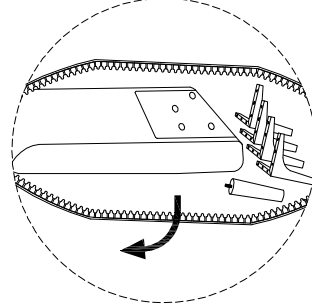
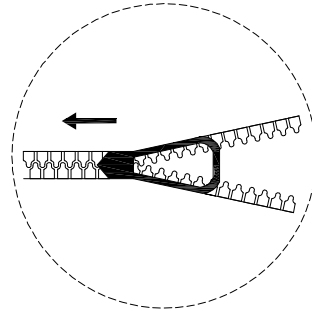
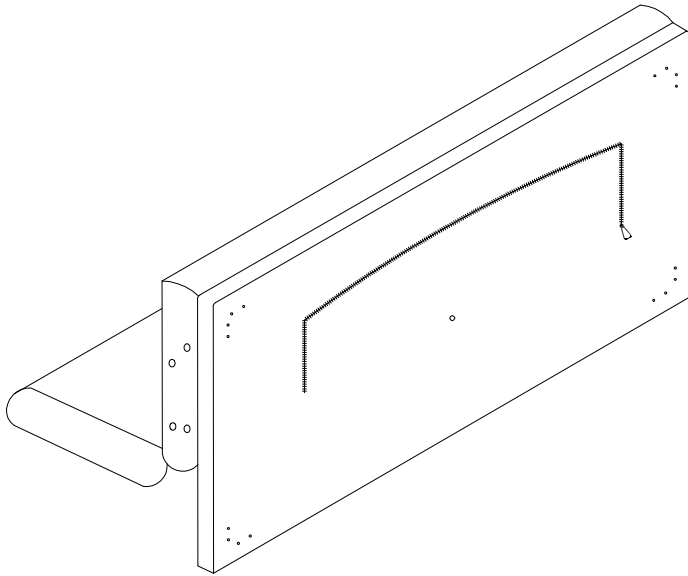

		20'
 		
		2

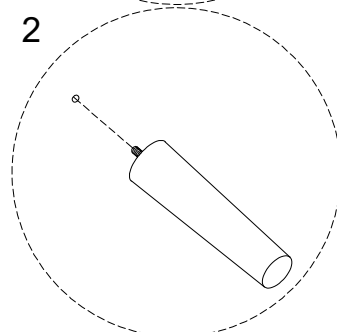
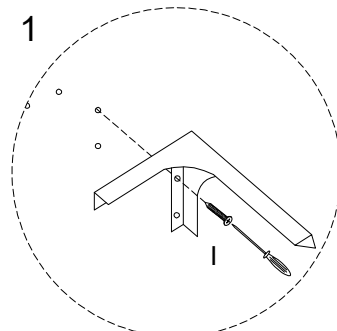
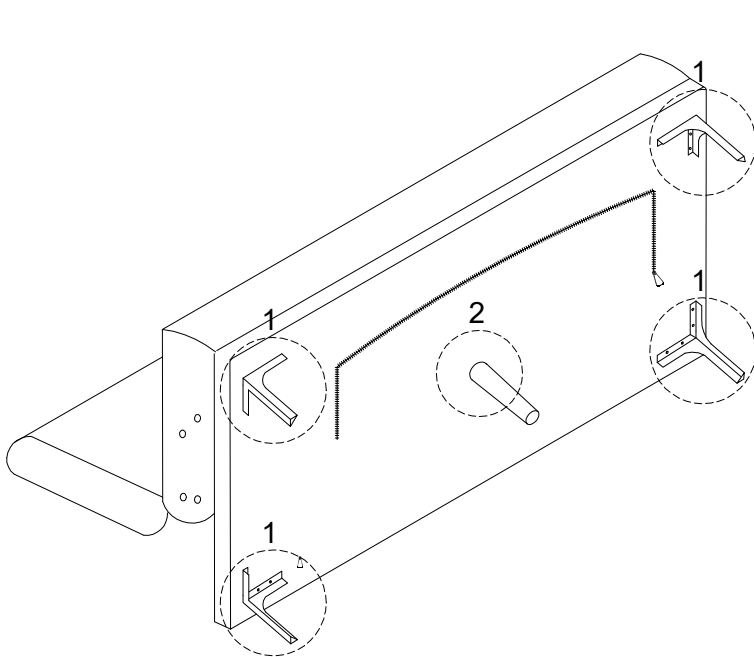


!

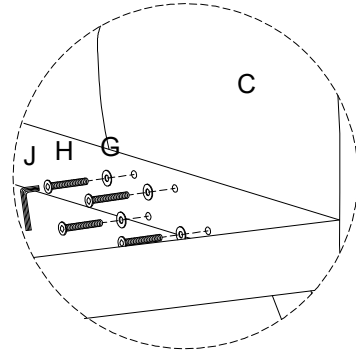
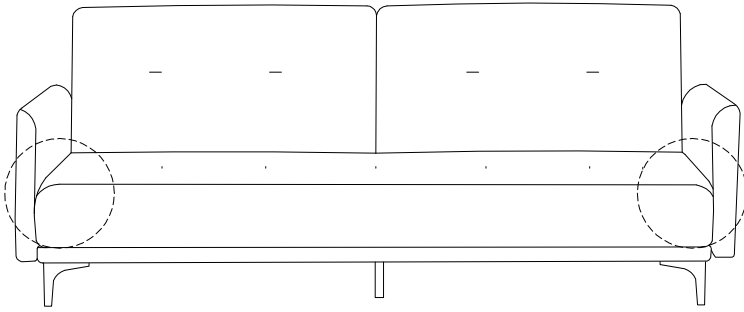
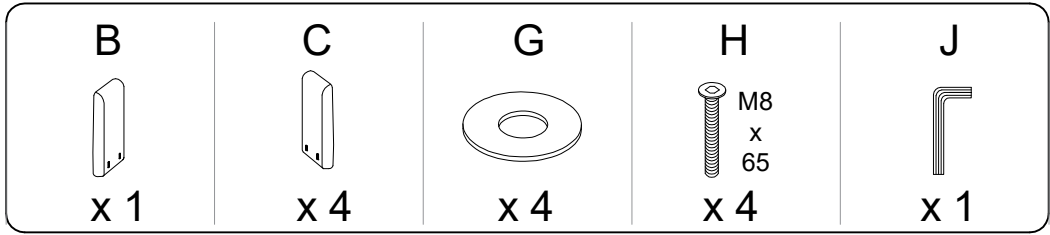


1

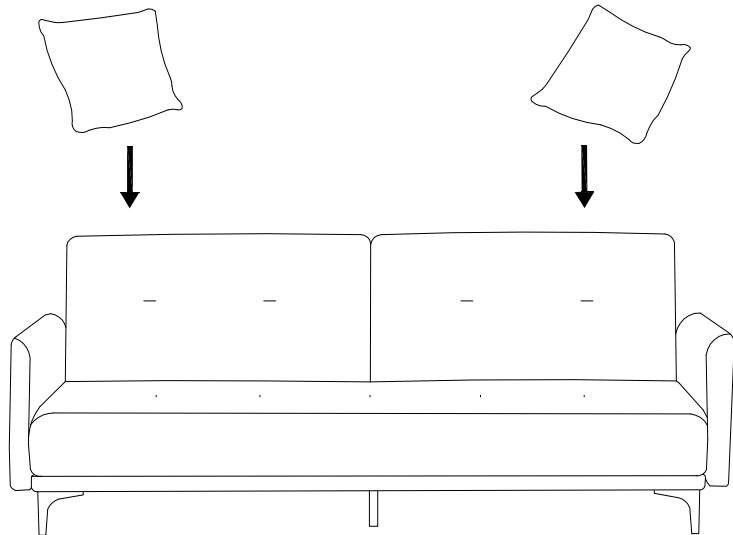
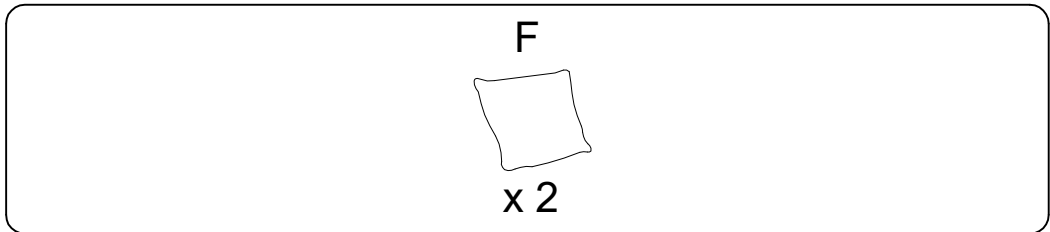
A x 1	D x 4	E x 1	I 4 x 25 x 16
---------------------	---------------------	---------------------	--------------------------------------



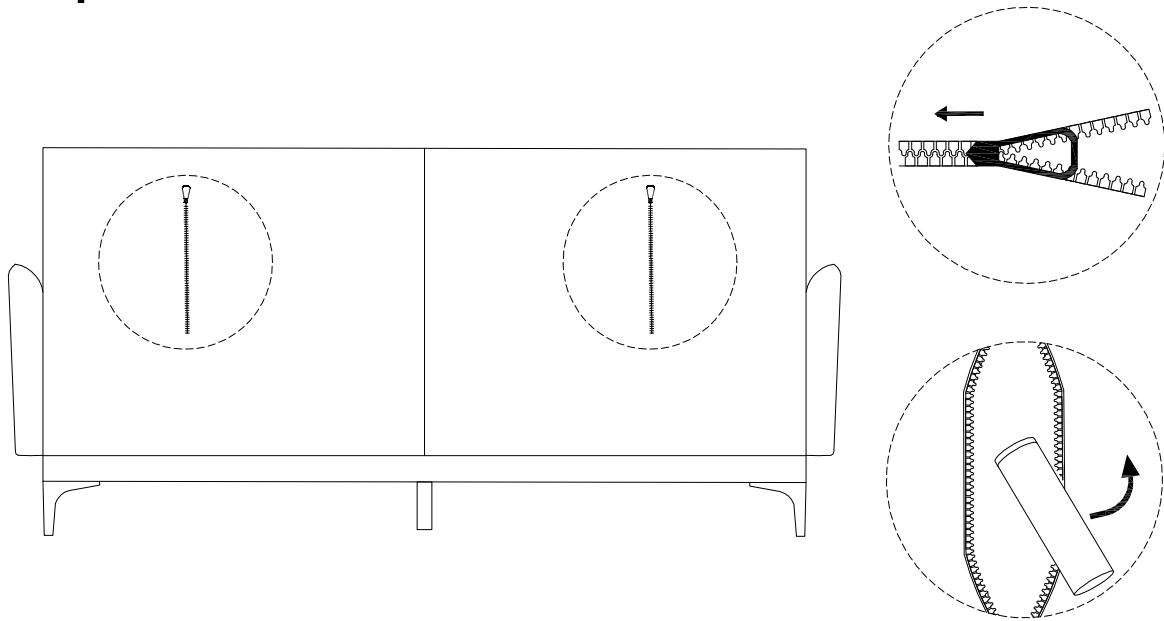
2



3



4



5

