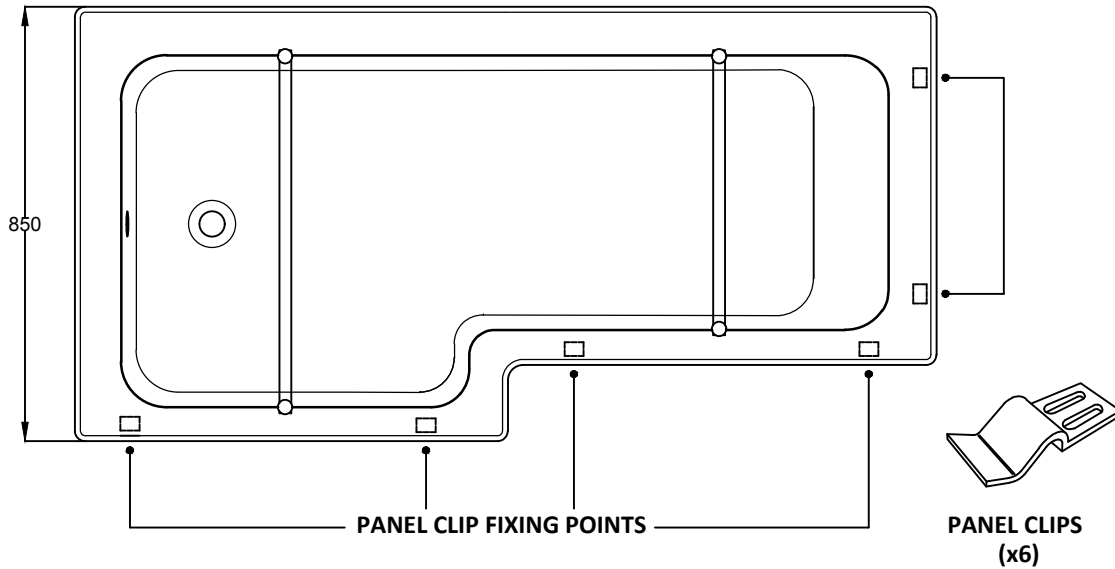
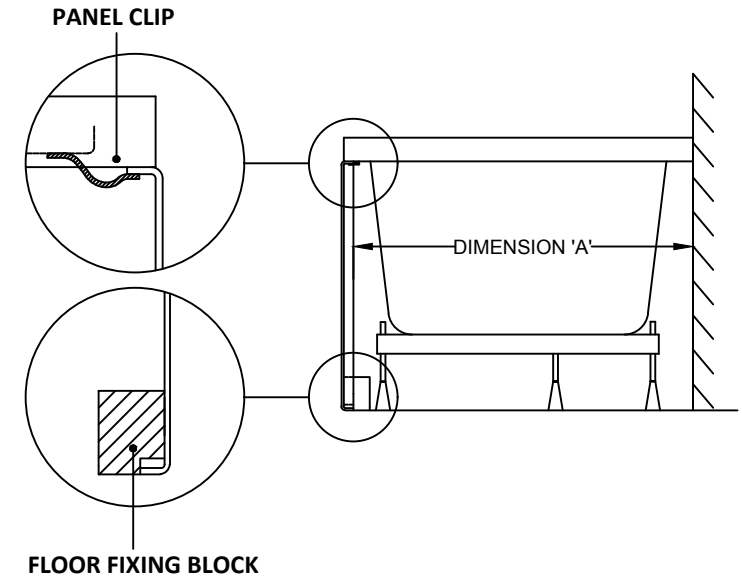


SQUARE SHOWER BATH PANEL - FIXING INSTRUCTIONS

1. FIX THE PANEL CLIPS TO THE x6 ENCAPSULATED WOODEN BLOCKS UNDER THE BATH RIM USING THE SCREWS SUPPLIED

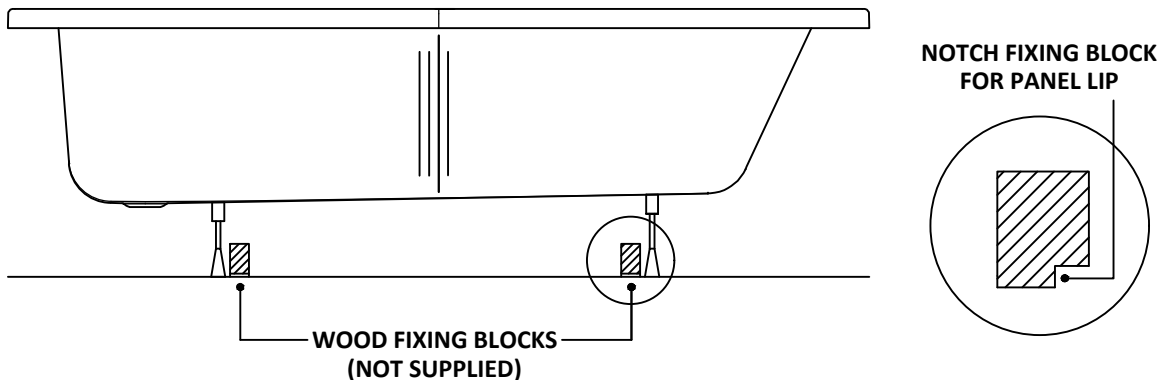


3. WHEN FITTING THE END PANEL, TAKE A MEASUREMENT FROM THE BACK EDGE OF THE FRONT PANEL TO THE WALL (DIM 'A')



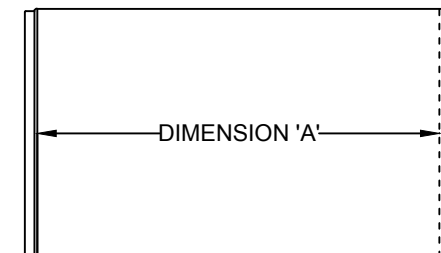
2. MEASURE THE HEIGHT OF THE PANEL, AND SET THE BATH TO THIS DIMENSION FROM THE FLOOR TO THE UNDERSIDE OF THE BATH RIM.

PLACE THE WOODEN BLOCKS (NOT SUPPLIED) SO THEY ARE PLUMB WITH THE BATH RIM AND CLIP THE PANEL INTO POSITION.



4. MARK DIMENSION 'A' LIGHTLY WITH A PENCIL AND USING A FINE TOOTHED SAW, CAREFULLY TRIM THE END PANEL TO LENGTH. IT IS RECOMMENDED THAT A WALL BATON IS FITTED BEHIND THE CUT END FOR SUPPORT AND A WOODEN BATON FLOOR MOUNTED TO PREVENT THE PANEL FROM MOVING INWARDS.

5. REMOVE THE PROTECTIVE FILM. LOCATE THE TOP EDGE OF THE END PANEL INTO THE PANEL CLIPS AND PUSH THE PANEL INTO POSITION. FINALLY, RUN A BEAD OF SILICONE AROUND THE BOTTOM & SIDE EDGES.



Check out our full range of Bathroom Suites

Bathroom Suites By Range

Cloakroom Suites

Toilets

Bathroom Sinks / Wash Basins

Bidets

Baths

Wide variety of toilets

Close Coupled Toilets

Wall Hung Toilets

Back To Wall Toilets

Furniture unit toilets

Huge Selection of Baths

Acrylic Baths

Steel Baths

Shower baths

Freestanding baths

Small baths

Corner baths

Whirlpool baths

Don't forget the important bathroom suite extras

Bath panels

Toilet seats

plumbworld
Big brands, small prices.