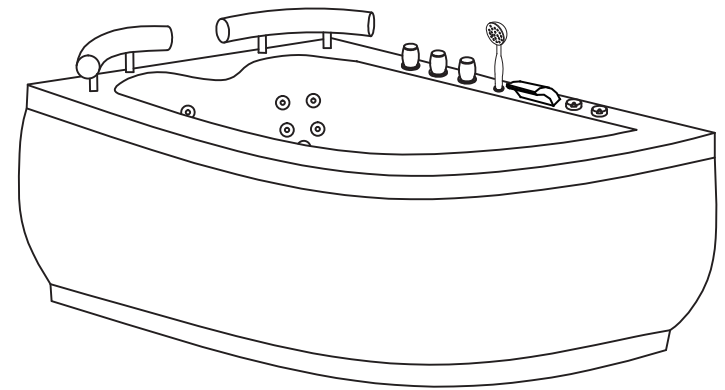


Massage Bathtub

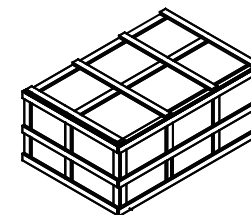
Instructions of Installation



MODEL:MT-NR1512(R / L)

SIZE:1550*1100*655mm

Dear Customer,
Thank you for choosing our product. For your safe concern, please take a few minutes to read this manual before installation and use.



Please use tools to open the packing;
Make sure all accessories are in the packing

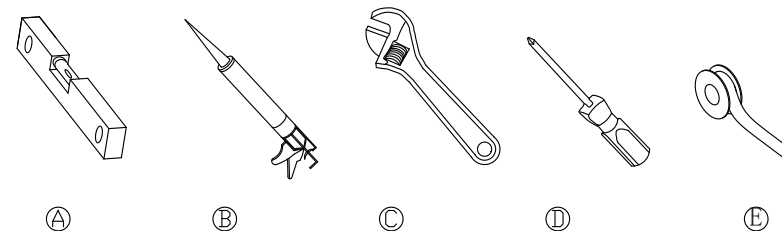
WARNING

1. Children and adolescent are only allowed to use the bathtub in accompany with an adult.
2. People with hypertension, diabetes or cardiovascular diseases are not allowed to use the bathtub.
3. Don't hit or rub the bathtub with a hard object to avoid damage and scratches.
4. To avoid stumbling, please pay attention to the drop height when go in or out of the appliance.
5. Watch out the appliance with suds to avoid slip.
6. Don't use acidic and strong alkaline detergent, acetone, ammonia and so on. Clean with alkalescent detergent and soft cloth.
7. If the sealant falls off from the glass, please glue it immediately to avoid the leakage.
8. Specifications can be varied without notice.

Accessory Box :

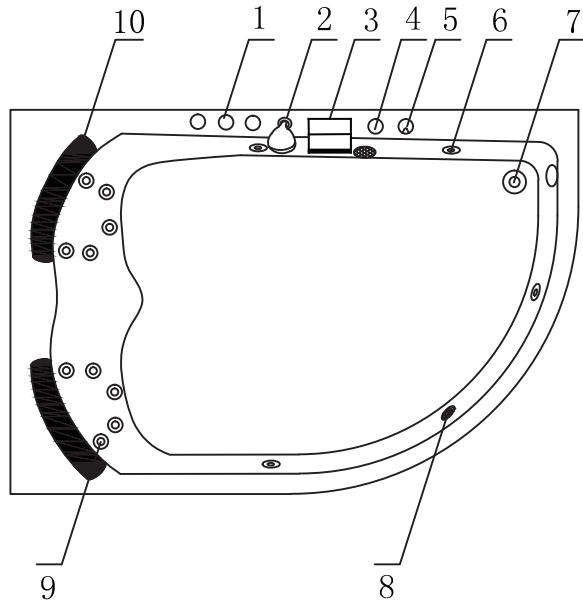


Installation Tools:(no included)



A: Gradient B: Sealant C: Adjustable spanner D: Screwdriver E: PTFE tape

Bathtub Configuration



Item	Description	Item	Description
1	Faucet	2	Hand shower
3	Waterfall	4	Regulator
5	On/off switch	6	Big jet
7	Drainer	8	Underwater Light
9	Small jet	10	Pillow

Installation of Electric Appliance

1. Electric Parameter

Rated Voltage	Rated Frequency	Max Rated Power	Rated Current
220V	50Hz	2600W	11.8A

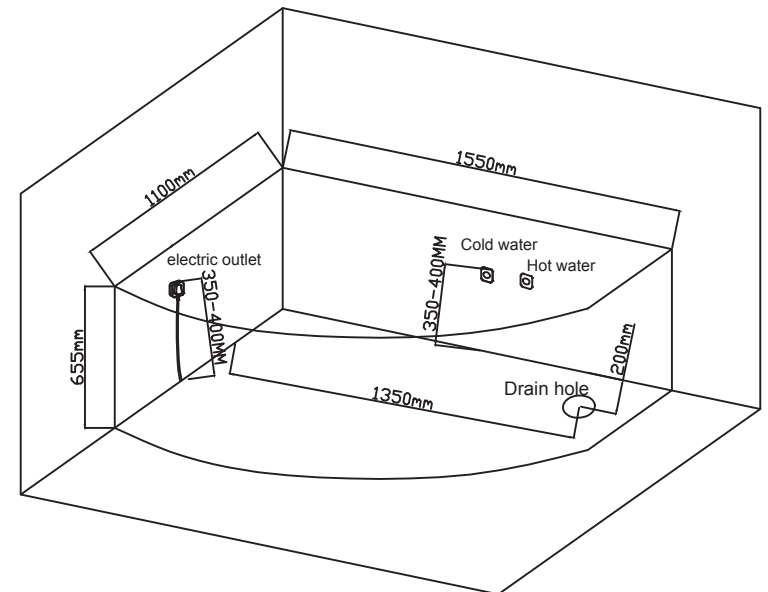
2. All electrical connections should be made by a licensed, locally certified electrician, in accordance with the requirements of the national electrical codes and procedures.

3. There should be electric-leakage protector on the power supply. Power lines must be fixed ones, which are with good ground line. The section of the electrical wire should not be less than 2.5 m². The power supply appliance should be in accordance with the National Safety Standard. And connect the protective ground line on the ground line- mark of bathtub frame (The electric-leakage protector is prepared and connected by user).

4. Warning: when using electrical products, basic precautions should always be followed, including the following.

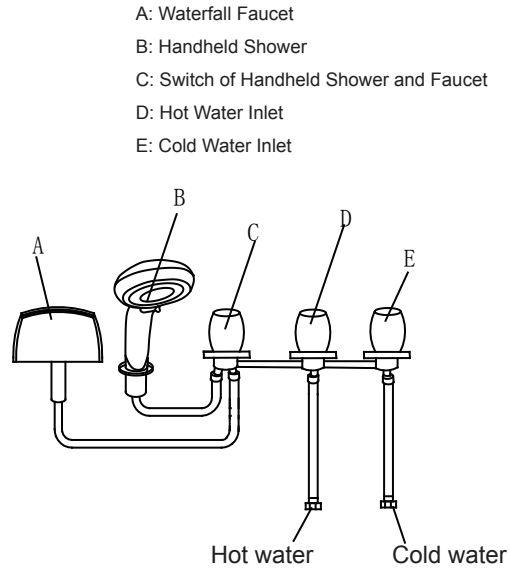
5. Danger: risk of electric shock! connect only to circuits protected by a Ground Fault Circuit Interrupter (GFCI). A GFCI is not supplied, however, we do specify its use. all known code authorities require a GFCI.

Installation of Water Supply



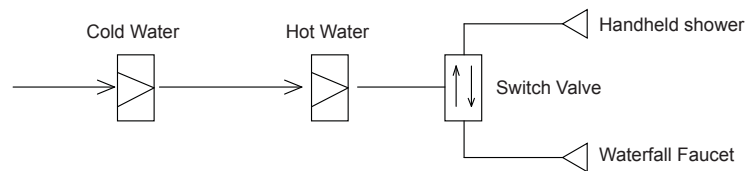
1. Hose Connecting Way

The fittings of bathtub were already connected before shipment except faucet. Users need to install the faucet according to the back procedures, and then connect the cold/hot water hose to the corresponding water supply tube, which should be in the shelter of the bathtub's back.



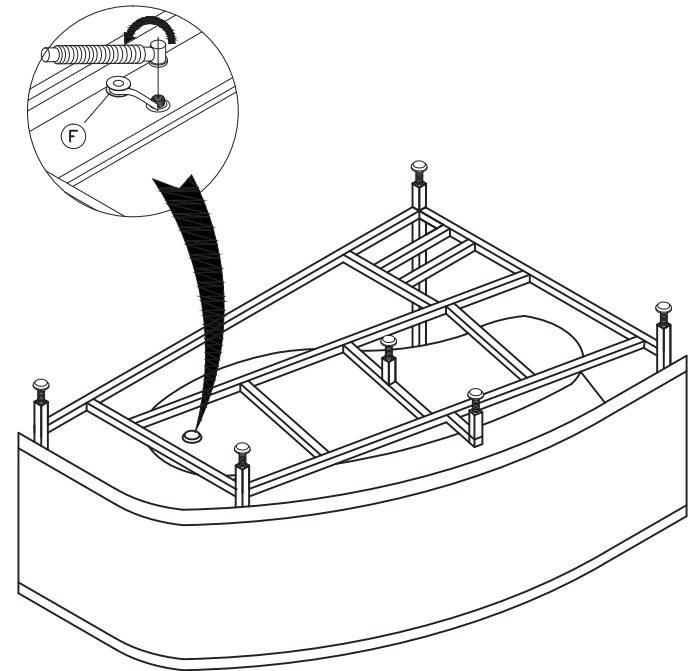
Water Inlet Faucet Connecting

2. Water Supply Chart

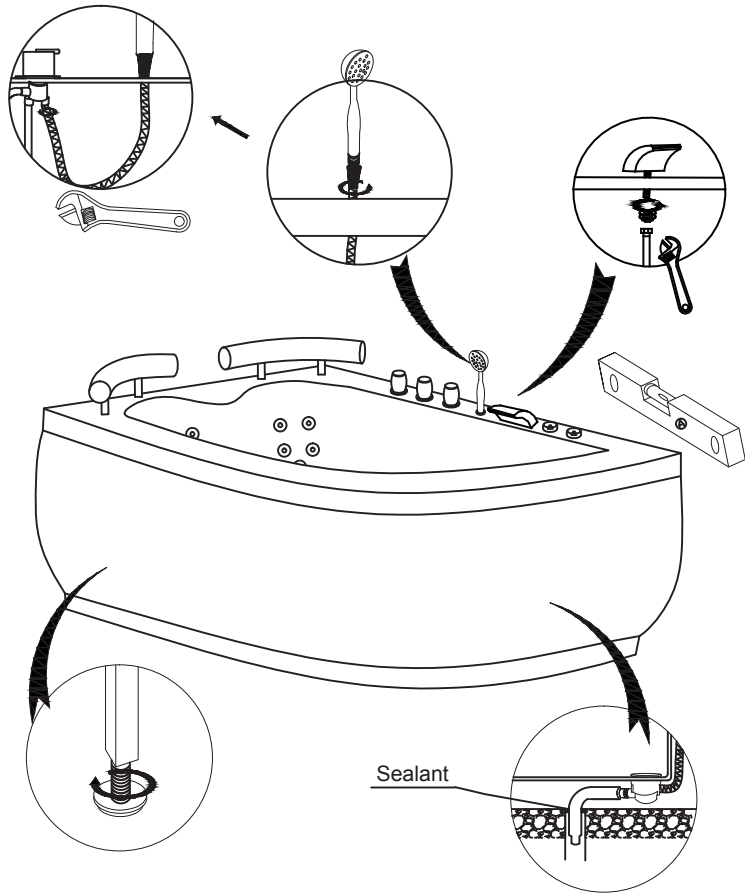


Installation of Bathtub

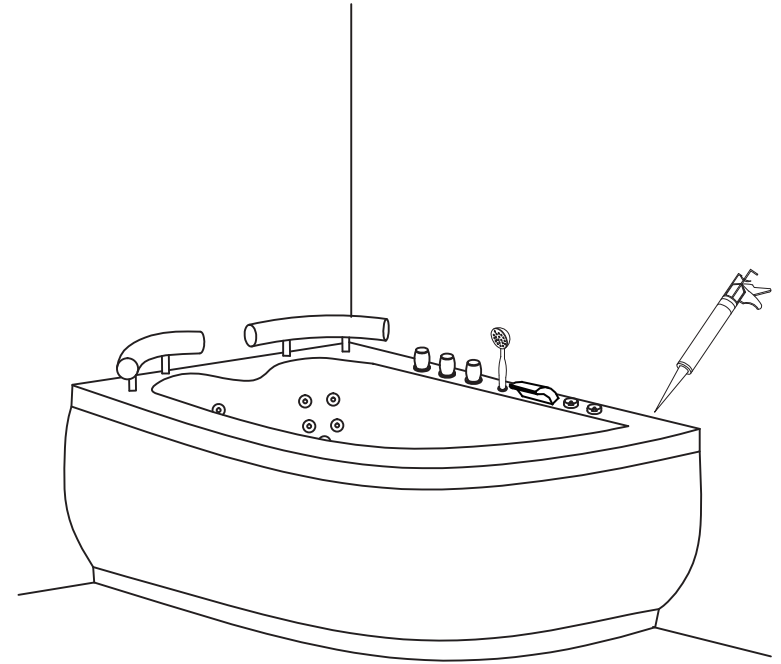
1. As the picture shows below, turn over the bathtub, wrap the drainer hole with thread PTFE tape, and then screw the drainer. As picture show:



2. As the picture show: install the waterfall faucet and handheld shower, then connect to the water hose.



3. Adjust the tub feet to make the horizontal. Move the bathtub to the wall corner; put the drainer into sewer and seal the drainer with sealant. Seal the gap between the bathtub and the wall with sealant to avoid water leakage.



Usage

1. Switch on the power supply
2. Turn on the cold/hot water switch, and adjust to the suitable temperature. Use the switch to choose the faucet or handheld shower to let water in.
3. Don't press the water pump switch unless the water level in the bathtub reach to or higher than the jets position.
4. Use air regulator to adjust the massage power.
5. Rotate the handheld shower to adjust the massage effecton.
6. Light turns on and changes automatically when you turn on the pump, and turns off when you turn off the pump.
7. Press pneumatic switch, turn off the pumps, and drain the water after use. Then turn off the power supply.

Troubleshooting

Trouble	Possible Reason	Try this to solve
Water pump Don't work.	Power supply is not well connected, the leakage protector disconnect .	Turn on the power supply, and connect the leakage protector .
	Water pump impeller was stuck by sundries.	Clean the water pump impeller.
	The water pump switch is off.	Press the water pump switch.
	Power supply plug don't insert or no enough power supply.	Plug the power supply in.
	Water pump trouble.	Repair or replace the water pump.
Massage power can't be adjusted.	Voltage problem.	Check voltage.
	Adjust switch is off or has problem.	Check, replace the switch.
	Water Circulation is blocked.	Clean the water circulation.
Bathtub don't stand horizontally.	Adjustable foot is not well-adjusted.	Adjust the Adjustable foot.
Water leakage.	Obturing ring is not good.	Replace the obturating ring.
	Nut is loose.	Screw down the nut.
	Connect part is not well connected.	Pay attention to the connect part conglutination

Cleaning & Maintenance

1. Use general liquid detergent and soft cloth for daily cleaning. Don't use detergent that with acetone or ammonia. Disinfectant with formic acid and formaldehyde is forbidden during disinfection.
2. If there is scratch on the bathtub surface, use 2000# waterproof abrasive paper to polish it and lay toothpaste on. Then use soft cloth to furbish it.
3. Scale deposit can be wiped off with warm citric acid or vinegar by a soft cloth.
4. Screw off the Water Circulation and jets for cleaning when plug up by litter, such as hair
5. Frequent cleaning is not necessary for the parts gilded and silver-gilt
6. Don't clean the tub with hard or coarse material to avoid any scratches; and don't clean the tub by detergent with chemical menstruum to avoid any damages.
7. Be sure to drain off the water and disconnect the power supply after use
8. Don't hit and score the bathtub by hard or keen-edged material. And don't touch the bathtub by cigarette end or heat source that over 70°C
9. Water massage system cleaning: fill the bathtub with 40°C hot water, and add detergent(2g/L). Then run the water massage system for 5 minutes. After that, stop the pump and drain the water. Fill the bathtub with cold water, and run the water massage system for 3 minutes. Clean the bathtub after stopping the pump and draining off the water.

Precautions

1. The installation should be carried out by a qualified technician, and should be according to the manual.
2. The appliance electric parameter should be tally with the National Safety Standard. And there should be creepage protector on the power supply. Make sure the ground wire is safe. Don't touch the switch, electrical outlet and plug with water.
3. Don't use overheated water. Put cold water first, then hot water. Don't run the appliance until the water level is higher than the jets.
4. The rated voltage of this appliance is 220V. Don't run it when the voltage is over 235V or under 190V.
5. Disconnect the power supply after use
6. Don't take a bath for a long time. Recommended time: less than 30 minutes
7. Please restart the appliance for occasional system halt
8. If the supply cord is damaged, it must be replaced by the manufacturer, its service gent or similarly qualified persons in order to avoid a hazard.
9. This manual is attached with the product. Before installation, please read it carefully. All he installation and use should conform to this manual, to avoid damage or other accident.

Caution:

1. When the bathtub can't work, please check according to the troubleshooting list. If you can't judge the reason or unable to repair it, please contact us.
2. To insure the customers' safety, the installation should be carried out by a qualified technician. Please use eligible creepage protector. The ground wire should be well connected to the ground.