

FERM®

POWER SINCE 1965



BGM1003

05	EN Original instructions	53
09	DE Übersetzung der Originalbetriebsanleitung	57
14	NL Vertaling van de oorspronkelijke gebruiksaanwijzing	61
18	FR Traduction de la notice originale	65
23	ES Traducción del manual original	70
28	PT Tradução do manual original	75
32	IT Traduzione delle istruzioni originali	80
37	SV Översättning av bruksanvisning i original	
41	FI Alkuperäisten ohjeiden käännös	
45	NO Oversatt fra original veiledning	
49	DA Oversættelse af den originale brugsanvisning	
05	HU Eredeti használati utasítás fordítása	53
09	CS Překlad původního návodu k používání	57
14	SL Preklad pôvodného návodu na použitie	61
18	PL Tłumaczenie instrukcji oryginalnej	65
23	RU Перевод исходных инструкций	70
28	EL Μετάφραση του πρωτοτύπου των οδηγιών χρήσης	75
32	MK Превод на оригиналниот инструкции.	80

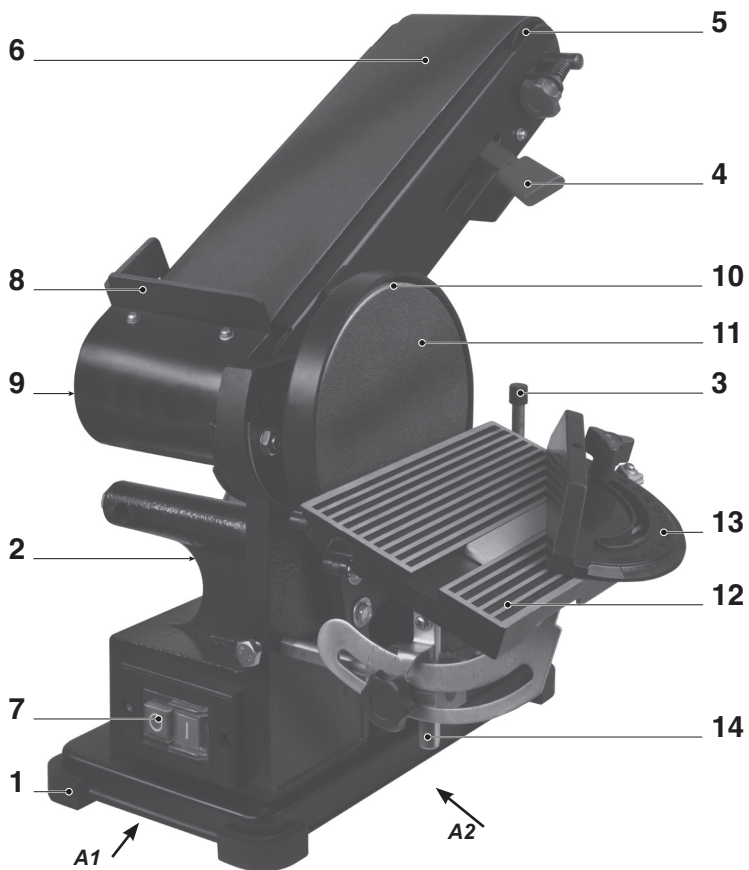


Fig. 1

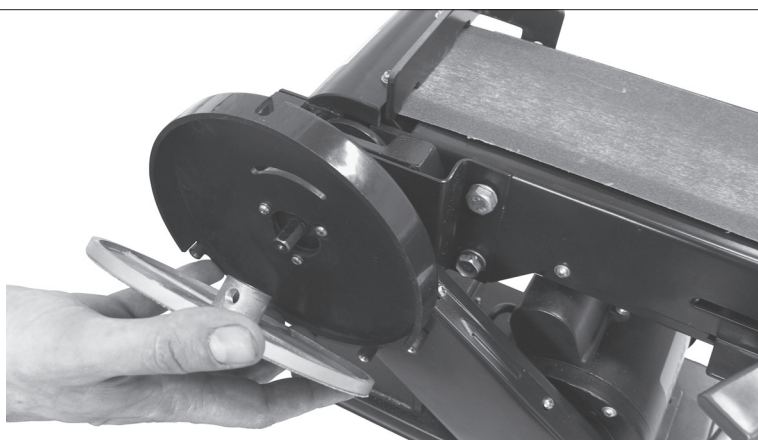


Fig. 2

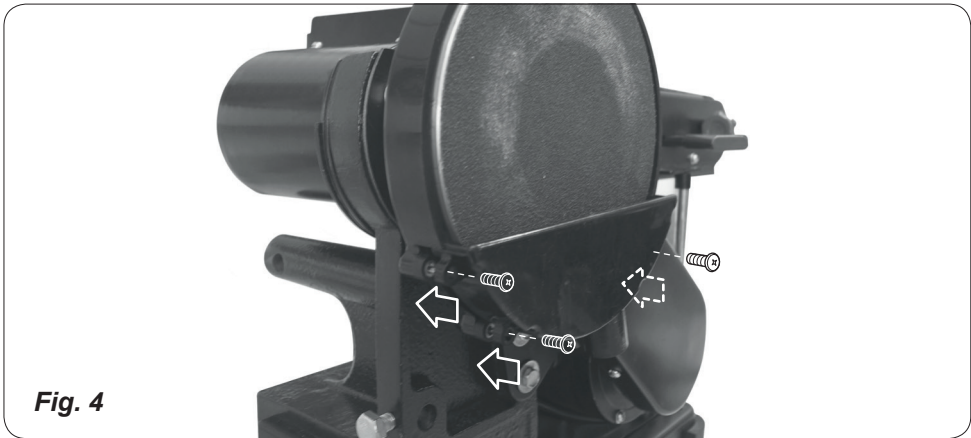
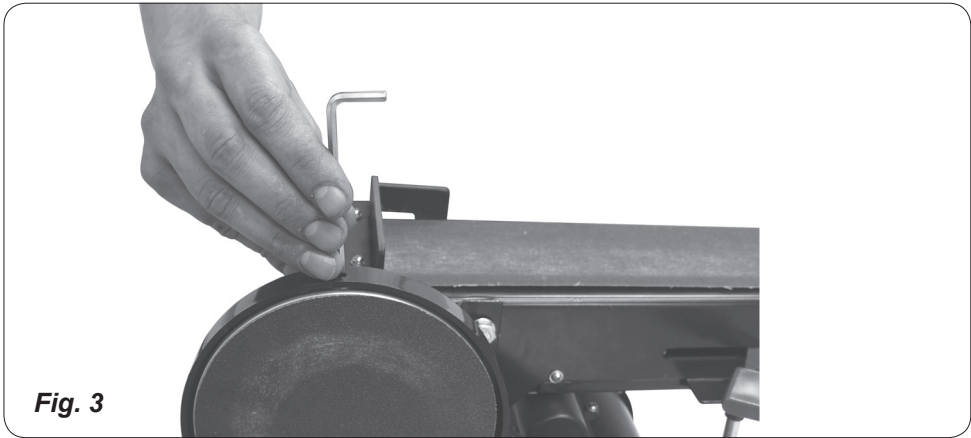




Fig. 6

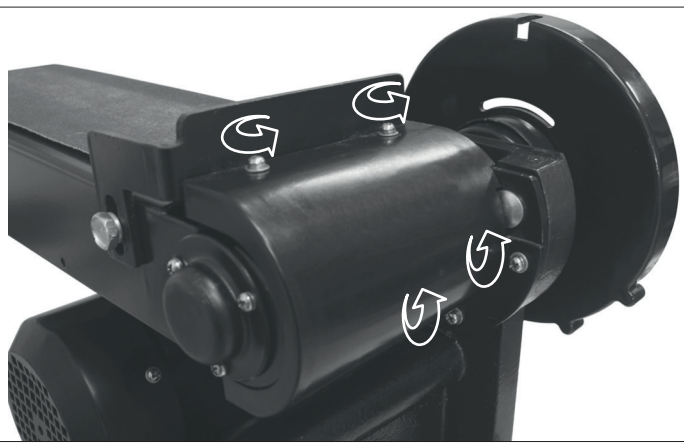


Fig. 7



Fig. 8

BENCH SANDER 375W

Thank you for buying this Ferm product.

By doing so you now have an excellent product, delivered by one of Europe's leading suppliers. All products delivered to you by Ferm are manufactured according to the highest standards of performance and safety. As part of our philosophy we also provide an excellent customer service, backed by our comprehensive Warranty. We hope you will enjoy using this product for many years to come.

The numbers in the following text refer to the drawing on page 2-4



Read the operating instructions carefully before using this device. Familiarize yourself with its functions and basic operation. Service the device as per the instructions to ensure that it always functions properly. The operating instructions and the accompanying documentation must be kept in the vicinity of the device.

Description

This machine combines all the advantages of a horizontal and a vertical belt sander with those of a disc sander. Its sturdy construction in cast iron and steel makes the machine suitable for every sanding job.

Contents:

1. Technical specification
2. Safety instructions
3. Before putting the machine into operation
4. Putting the machine into operation
5. Maintenance

1. Technical specification

Machinedata

Voltage	230 V, 50 Hz
Power input	375 W
	$S_2 = 30 \text{ min}^*$
No load speed sander belt	276 m/min
No load speed sander disc	1450 /min
Sanding belt size	915 X 100 mm
Sanding disc size	Ø 150 mm
Weight	16.5 kg
Lpa (Sound pressure level)	79+3 dB(A)
Lwa (Sound power level)	92+3 dB(A)

* S_2 = Maximum period of operation with a capacity of 375 W

Vibration level

The vibration emission level stated in this instruction manual has been measured in accordance with a standardised test given in EN 60745; it may be used to compare one tool with another and as a preliminary assessment of exposure to vibration when using the tool for the applications mentioned

- using the tool for different applications, or with different or poorly maintained accessories, may significantly increase the exposure level
- the times when the tool is switched off or when it is running but not actually doing the job, may significantly reduce the exposure level

Protect yourself against the effects of vibration by maintaining the tool and its accessories, keeping your hands warm, and organizing your work patterns

List of parts

Fig.1 + 6

1. Machine frame
2. Motor
3. Roller stop and parallel stop
4. Clamping handle
5. Transport roller
6. Sanding belt
7. On/off switch
8. Fence
9. Drive roller
10. Aluminium disc
11. Sanding disc
12. Work plate
13. Mitre scale
14. Supporting arm

2. Safety instructions

Explanation of the symbols



Denotes risk of personal injury, loss of life or damage to the tool in case of non-observance of the instructions in this manual.



Indicates electrical shock hazard.



Wear ear and eye protection



wear a dustmask



Keep bystanders away



The product is in accordance with the applicable safety standards in the European directives.

Special safety instructions

- The following points need to be checked:
 - Do the connecting voltage of the machine correspond with the mains voltage.
 - Are the mains lead and the mains plug in a good condition; strong, without ravel or damages.
- For functional reasons the turning parts of this machine are not covered. Therefore it is of utmost importance to be careful. Hold the workpiece firmly, to prevent it from slipping from your hands. Never touch the sanding surfaces of a working machine with your hands.
- Avoid the use of long extension cables.

Before you operate the machine:

- Always keep the mains cable away from moving parts of the machine.
- Use safety goggles.
- Use a dust mask.

Electrical safety

When using electric machines always observe the safety regulations applicable in your country to reduce the risk of fire, electric shock and personal injury. Read the following safety instructions and also the enclosed safety instructions.



Always check that the power supply corresponds to the voltage on the rating plate.

Replacing cables or plugs

Immediately throw away old cables or plugs when they have been replaced by new ones. It is dangerous to insert the plug of a loose cable in

the wall outlet.

Mains plug replacement (UK only)

If the moulded 3-pin plug attached to the unit is damaged and needs replacing, it is important that it is correctly destroyed and replaced by an approved BS1363/13A fused plug and that the following wiring instructions are followed. The wires in the mains cable are coloured in accordance with the following code:

- blue neutral
- brown live

As the colours of the wires in the mains cable of the unit may not correspond to the coloured markings identifying the terminals in the plug, proceed as follows:

- The wire which is coloured blue must be connected to the terminal which is marked with the letter N or coloured black.
- The wire which is coloured brown must be connected to the terminal which is marked with the letter L or coloured red.

Using extension cables

Only use an approved extension cable suitable for the power input of the machine. The minimum conductor size is 1.5 mm². When using a cable reel always unwind the reel completely.

Immediately switch off the machine when:

- Excessive sparking of the carbon brushes and verticiliosis in the collector.
- Interruption of the mains plug, mains lead or mains lead damage.
- Defect switch
- Smoke or stench of scorched isolation

3. Before putting the machine into operation

Installation

Avoid the use of long extension cables. Do not forget to leave enough space around the machine for the workpieces to be sanded.

Assembly

- Put the machine frame on its head and press the four rubber stops into the foot of the frame.
- Machine frame, aluminium disc (10) and work plate (12) are supplied in separate packaging.
- Push the aluminium disc on the shaft and fasten the disc with the socket bolt in the side

- of the disc (Fig.2 - 4).
- Place the work plate (12) with the shaft in the machine frame and secure the work plate with the bolt in the side of the machine frame. Check with a 90° sash angle on the work plate and against the sanding disc if the angle is exactly 90° (Fig.5).
- If necessary, adjust this angle with the calibration indicator.
- The mitre scale (13), which is also supplied separately, can be placed on the work plate (12). With the use of this mitre scale the angle of grinding can be determined precisely.
- The fence (8) for the belt sander can be placed behind the uppermost bolt of the V-belt guard. In this way the workpiece can be held firmly against the belt, without great hazards.



To prevent the workpiece or your fingers from getting caught between the work plate (12) and the sanding disc (11), the space between work plate (12) and sanding disc (11) must not exceed 1.6 mm.

The choice of sanding paper

With coarse sanding paper (P 60) generally most of the material can be removed, and fine sanding paper (P 150) is then used for finishing. An uneven surface is first treated with coarse sanding paper and sanded until it is even. Subsequently medium-coarse sanding paper (P 100) is used to remove the scratches caused by the first type of paper used. Fine sanding paper (P 150) is used for finishing. The sanding needs to be continued until the surface is smooth.

The placing of the sanding paper

Fig. 6 - 9

When the sanding machine is held with the sanding disc turned towards you, the sanding belt moves from right to left along the upper part of the machine. Because of this turning direction the workpiece will be pressed against the right side of the fence. An arrow on the inside indicates the right direction of running of the sanding belt (see drawing). If no direction is indicated, the sanding belt must be placed in such a way that the elevated part of the seam is placed into the turning direction of the belt. So it is very important that the sanding belt is placed in the correct way. The machine uses standard 100 x 915 mm sanding belts (nr 7):

- Remove the plug from the mains socket.
- Push the clamping handle completely to the right to take away the tension of the transport rollers (Fig.1: 14).
- Push the sanding belt along both of the transport rollers, starting from the back of the machine.
- Push the clamping handle completely to the left. Now the sanding belt should be completely tight.
- Turn the transport roller exactly in a right angle to the direction of the sanding belts with the use of the winged nut at the right roller. The direction of running of the belt is adjusted correctly if the sides of the sanding belt are running parallel to the bearing plate.

The sanding disc

Paper or "velcro" plates are used for the sanding disc. The standard diameter is 150 mm. The plates are self adhesive.

Vertical placing of the sanding belt

For more flexibility of the sanding belt its bottom side can be used, because there is no bearing plate. For an easy reach of this bottom side the sanding belt can be placed in vertical position.

- Loosen the two nuts at the front of the sanding machine, around the left transport roller shaft, with the use of an open-end spanner.
- Push the sanding belt up in the position desired.
- Fasten the two nuts again.
- The workpiece can now rest on the worktop instead of on the sanding belt;
- The work plate which is used for the sanding disc can now be pushed with the shaft into the hole of the machine frame, at the left side of the sanding machine.
- Fasten the bolt at the back of the machine.
- The work plate can now be used as support for the sanding of the work piece against the sanding belt.

4. Putting the machine into operation



Always stand facing the machine so that you always have a good overview (Fig 1, A1+A2).

Switching On/Off

- Press the switch into position '1' to put your sanding machine into operation.

- To switch off the machine the same switch needs to be pressed to position '0'.
- Always keep the mains cable away from moving parts.
- There is no need to apply any pressure with the workpiece, because this only slows down the speed of the sanding disc.

Sanding

The sanding belt and disc supplied with this sanding machine are suitable for the sanding of metal, wood or synthetic surfaces. The workpiece should always be held firmly during sanding. No extra pressure is needed. Guide the work piece up and down over the sanding belt, in order to prevent the sanding belt and plate from wearing through in one place. Round objects can be sanded at the ends of the sanding belt. Work pieces which are longer than the sanding machine can be sanded by removing the fence.

NB: To prevent splintering, wood always needs to be sanded in the longitudinal direction of the grain.

To treat a very soft surface, there is a very handy method to 'bring the particles to the surface'. This is done as follows: wet the already sanded surface with a cloth or sponge and let it dry well. Some wood fibres will swell up more than others, which leads to a rougher surface than before. Now the higher particles are treated with fine sanding paper, the result is a remarkably smooth surface. This method should not be applied with varnished wood, however, because the varnish may come loose because of the moisture.

5. Maintenance



Make sure that the machine is not live when carrying out maintenance work on the motor.

The Ferm machines have been designed to operate over a long period of time with a minimum of maintenance. Continuous satisfactory operation depends upon proper machine care and regular cleaning.

Malfunction

Below we have listed a number of possible causes and corresponding solutions in case the machine does not function as it should:

The electromotor gets hot

- The cool ventilation slots in the motor are stopped up with dirt.
 - *Clean the cool ventilation slots.*
- The motor is defective.
 - *Have your sanding machine repaired / checked at your local Ferm dealer.*

The connected machine does not work.

- Interruption in the mains connection.
 - *Check mains connection for fracture. Have your sanding machine repaired / checked at your local Ferm dealer.*



Periodic maintenance of the belt sander will prevent unnecessary problems!

Cleaning

Never use water or other aggressive liquids to clean the machine. Clean the machine by brushing it with a brush. Keep the ventilation slots of the machine clean to prevent overheating of the motor.

Lubrication

There is no need to lubricate the transport rollers of the machine.

Faults

Should a fault occur, e.g. after wear of a part, please contact the service address on the warranty card. In the back of this manual you find an exploded view showing the parts that can be ordered.

Environment

To prevent damage during transport, the appliance is delivered in a solid packaging which consists largely of reusable material. Therefore please make use of options for recycling the packaging.



Faulty and/or discarded electrical or electronic apparatus have to be collected at the appropriate recycling locations.

Only for EC countries

Do not dispose of power tools into domestic waste. According to the European Guideline 2012/19/EU for Waste Electrical and Electronic Equipment and its implementation into national right, power tools that are no longer usable must

be collected separately and disposed of in an environmentally friendly way.

Warranty

For the warranty conditions read the warranty card at the back of these instructions for use.

The product and the user manual are subject to change. Specifications can be changed without further notice.

TISCHSCHLEIFMASCHINE 375W

Vielen Dank, dass Sie sich für den Kauf dieses Ferm-Produkts entschieden haben.

Sie besitzen nun ein hervorragendes Produkt von einem führenden europäischen Lieferanten. Alle Ferm-Produkte werden nach höchsten Leistungs- und Sicherheitsstandards gefertigt. Gemäß unserer Philosophie bieten wir Ihnen einen exzellenten Kundenservice sowie eine vollständige Garantie auf unsere Produkte. An diesem Produkt werden Sie noch viele Jahre Ihre Freude haben.

Die Ziffern im nachstehenden Text verweisen auf die Abbildungen auf Seite 2-4.



Lesen Sie diese Bedienungsanleitung aufmerksam, bevor Sie die Maschine in Betrieb nehmen. Machen Sie sich mit der Funktionsweise und der Bedienung vertraut. Warten Sie die Maschine entsprechend der Anweisungen, damit sie immer einwandfrei funktioniert. Die Betriebsanleitung und die dazugehörige Dokumentation müssen in der Nähe der Maschine aufbewahrt werden.

Beschreibung

Diese Schleifmaschine ist ein kombiniertes Gerät mit allen Vorteilen einer horizontalen und vertikalen Kombi-Band-Schleifmaschine und einer Scheibenschleifmaschine. Durch die robuste Ausführung in Gußeisen und Stahl, ist diese Maschine für alle Schleifarbeiten geeignet.

Inhalt:

1. Technische Daten
2. Sicherheitsvorschriften
3. Zusammenbau und Zubehör
4. Bedienung
5. Service und Wartung

1. Technische daten

Gerätedaten

Spannung	230 V, 50 Hz
Aufgenommene Leistung	375 W
	$S_2 = 30 \text{ min}^*$
Drehzahl unbelastet Schleifband	276 m/min
Drehzahl unbelastet Schleifscheibe	1450 /min
Schleifbandmaße	915 x 100 mm
Schleifscheibemaße	Ø 150 mm

Gewicht	16.5 kg
Lpa (Schalldruckpegel)	79+3 dB(A)
Lwa (Schalleistungspegel)	92+3 dB(A)

*S2=Maximale Betriebsdauer bei einer Leistung von 375 W

Vibrationsstufe

Die im dieser Bedienungsanleitung angegebene Vibrationsemissionsstufe wurde mit einem standardisierten Test gemäß EN 60745 gemessen; Sie kann verwendet werden, um ein Werkzeug mit einem anderen zu vergleichen und als vorläufige Beurteilung der Vibrationsexposition bei Verwendung des Werkzeugs für die angegebenen Anwendungszwecke

- die Verwendung des Werkzeugs für andere Anwendungen oder mit anderem oder schlecht gewartetem Zubehör kann die Expositionsstufe erheblich erhöhen
- Zeiten, zu denen das Werkzeug ausgeschaltet ist, oder wenn es läuft aber eigentlich nicht eingesetzt wird, können die Expositionsstufe erheblich verringern

Schützen Sie sich vor den Auswirkungen der Vibration durch Wartung des Werkzeugs und des Zubehörs, halten Sie Ihre Hände warm und organisieren Sie Ihren Arbeitsablauf

Teilleiste

Abb.1 + 6

1. Maschinengestell
2. Motor
3. Schienen- und Parallelanschlag
4. Spannhebel
5. Laufrolle
6. Schleifband
7. Ein-Aus-Schalter
8. Längsschiene
9. Antriebsrolle
10. Aluminiumscheibe
11. Schleifscheibe
12. Arbeitsplatte
13. Gehrungsskala
14. Tragarm

2. Sicherheitsvorschriften

Erläuterung der Symbole



Lebens- und Verletzungsgefahr und Gefahr von Beschädigungen am Gerät bei Nichteinhaltung der Sicherheitsvorschriften in dieser Anleitung.



Deutet das Vorhandensein elektrischer Spannung an.



Tragen Sie eine Staubschutzmaske.



Schutzbrille und Gehörschutz tragen



Umstehende fernhalten



Das Produkt entspricht den geltenden Sicherheitsnormen der europäischen Richtlinien.

Spezielle Sicherheitsvorschriften

- Kontrollieren Sie folgendes:
 - Ist die Netzspannung ähnlich an der Spannung erwähnt auf die Typ-platte der Maschine.
 - Sind die Stecker, das Schnur und die Steckdose in gutem Zustande.
- Die rotierenden Teile des Gerätes sind aus funktionellen Gründen nicht abgedeckt. Seien Sie darum vorsichtig. Halten Sie das Werkstück gut fest, damit es nicht aus Ihren Händen rutscht, wodurch sie in Berührung mit dem Schleifband kommen könnten.
- Vermeiden Sie das Gebrauch von zu lange Verlengungskäbeln.

Beim Inbetriebstellung der Maschine:

- Achten Sie darauf, daß das Netzkabel nicht in Berührung mit bewegenden Teilen des Gerätes kommt.
- Benutzen Sie eine Schutzbrille.
- Benutzen Sie ein Atemschutzfilter.

Elektrische Sicherheit

Beachten beim Benutzen von Elektromaschinen immer die örtlichen Sicherheitsvorschriften bezüglich Feuerrisiko, Elektroschock und Verletzung. Lesen Sie außer den folgenden Hinweisen ebenfalls die Sicherheitsvorschriften

im einschlägigen Sonderteil.



Überprüfen Sie immer, ob Ihre Netzspannung der des Typenschildes entspricht.

Austauschen von Kabeln oder

Steckern

Wenn die Anschlussleitung beschädigt wird, muss sie durch eine besondere Anschlussleitung ersetzt werden, die vom Hersteller oder seinem Kundendienst erhältlich ist. Entsorgen Sie alte Kabeln oder Stecker, unmittelbar nachdem Sie durch neue ersetzt sind. Das Anschließen eines Steckers eines losen Kabels an eine Steckdose ist gefährlich.

Austausch des Netzsteckers (nur Großbritannien)

Wenn der angespritzte 3-polige Stecker des Geräts beschädigt ist und ausgetauscht werden muss, ist es wichtig, dass er korrekt zerlegt und durch einen zugelassenen gesicherten Stecker des Typs BS 1363/13A ausgetauscht wird, wobei die folgenden Verkabelungsanweisungen einzuhalten sind. Die Adern des Netzkabels weisen die folgende Farbcodierung auf:

- Blau neutral
- Braun spannungsführend

Da die Farben der Adern im Netzkabel des Geräts unter Umständen nicht den Farbmarkierungen der Klemmen des Steckers entsprechen, gehen Sie wie folgt vor:

- Die blaue Ader muss mit der Klemme verbunden werden, die mit dem Buchstaben N gekennzeichnet oder schwarz ist.
- Die braune Ader muss mit der Klemme verbunden werden, die mit dem Buchstaben L gekennzeichnet oder rot ist.

Verwendung von Verlängerungskabeln

Benutzen Sie nur ein genehmigtes Verlängerungskabel, das der Maschinenleistung entspricht. Die Ader müssen einen Mindestquerschnitt von 1,5 mm² haben. Befindet das Kabel sich auf einem Haspel. muß es völlig abgerollt werden.

Das Gerät sofort ausschalten bei

- Übermäßigen Funken der Kohlebürsten und Ringfeuer im Kollektor.
- Störung im Netzstecker, dem Netzkabel oder Schnurbeschädigung.
- Defektem Schalter.

- Rauch oder Gestank verschmorter Isolation.

3. Zusammenbau und Zubehör

Installation

Vermeiden Sie den Gebrauch von zu langen Verlängerungsschnuren. Achten Sie darauf, daß Sie im Maschinenbereich genügend Platz für die zu schleifenden Werkstücke haben.

Montage

- Stellen Sie das Maschinengestell mit der Unterseite nach oben, und befestigen Sie die vier Gummifüße auf dem Fuß (1) des Maschinengestelles.
- Maschinengestell, Aluminiumscheibe (10) und Arbeitsplatte (12) werden getrennt verpackt geliefert.
- Schieben Sie die Aluminiumscheibe auf die Achse und befestigen Sie die Scheibe mit der Sechskantschraube an der Seite der Scheibe (Ab b.2 - 4).
- Legen Sie die Arbeitsplatte (12) mit der Achse in das Maschinengestell und befestigen Sie die Arbeitsplatte mit der Schraube an der Seite des Maschinengestelles. Kontrollieren Sie mit einem 90° Winkelmesser auf der Arbeitsplatte, gegen die Schleifscheibe, ob der Winkel genau 90° beträgt (Ab b.5).
- Stellen Sie diesen Winkel gegebenenfalls ein, indem Sie den Pfeil auf der Skala verstellen.
- Die Gehrungsskala (130), die auch einzeln lieferbar ist, kann auf der Arbeitsplatte (12) angebracht werden. Mit Hilfe der Gehrungsskala (13) kann der Winkel, in dem Sie schleifen wollen genau eingestellt werden.
- Die Längsschiene (8) für die Kombi-Band-Schleifmaschine kann hinter der obersten Schraube des Keilriemenschutzgehäuses angebracht werden. Auf diese Art und Weise kann das Werkstück fest und ohne große Gefahren gegen das Schleifband gehalten werden.



Um zu verhindern, daß das Werkstück oder Ihre Finger zwischen die Arbeitsplatte (12) und die Schleifscheibe (13) geraten, muß der Abstand zwischen Arbeitsplatte (12) und Schleifscheibe (13) maximal 1,6 mm betragen.

Wahl des Schleifpapiers

Grobes Schleifpapier (Körnung 60) entfernt

im allgemeinen das meiste Material und feines Schleifpapier (Körnung 150) kann für die Endbearbeitung benutzt werden. Wenn die Oberfläche uneben ist, beginnen Sie mit grobem Schleifpapier und schleifen, bis sie glatt ist. Anschließend verwenden Sie mittelgrobes Schleifpapier (Körnung 100), um die Kratzer, die das erste Papier verursacht hat, zu entfernen. Für die Endbearbeitung nehmen Sie das feine Schleifpapier (Körnung 150). Schleifen Sie solange bis die Oberfläche glatt ist.

Das Anbringen des Schleifpapiers

Abb.6 - 9

Wenn Sie die Schleifmaschine so aufstellen, daß die Schleifscheibe Ihnen zugewendet ist, bewegt sich das Schleifband von rechts nach links über die Oberseite der Maschine. Durch diese Drehrichtung wird das Werkstück gegen die rechte Seite der Längsschiene gedrückt. Die richtige Laufrichtung des Schleifbandes ist mit einem Pfeil an der Innenseite angegeben (siehe Zeichnung). Ist kein Pfeil eingezeichnet worden muß das Schleifband so angebracht werden, daß der erhöhte Teil der Naht in Drehrichtung steht. Achten sie also darauf, daß das Schleifband auf die richtige Art und Weise angebracht wird. Verwenden Sie für die Maschine Standardschleifbänder (Nr. 7) 100x915 mm.

- Ziehen Sie den Netzstecker aus der Steckdose.
- Drücken Sie den Spannhebel ganz nach rechts, um die Laufrollen zu entspannen (Fig. 1: 14).
- Schieben Sie von der Rückseite der Maschine aus die Schleifbänder über die Laufrollen.
- Drücken Sie den Spannhebel ganz nach links. Das Schleifband spannt sich nun über die Laufrollen.
- Drehen Sie mit der Flügelmutter an der rechten Laufrolle die Laufrolle genau im rechten Winkel zum Lauf der Schleifbänder. Der Bandlauf ist richtig eingestellt, wenn die Seiten der Schleifbänder parallel zur Unterlegplatte laufen.

Die Schleifscheibe

Verwenden Sie für die Schleifscheibe Papier oder Stoffrollen mit einem Standarddurchmesser von 150 mm. Die Scheiben sind selbstklebend.

Das vertikale Anbringen der Schleifbänder

Für eine größere Flexibilität des Schleifbandes kann die Unterseite des Schleifbandes verwendet

werden, weil sich hier keine Unterlegplatte befindet. Um einfacher an die Unterseite zu gelangen, können Sie das Schleifband vertikal anbringen.

- Drehen Sie mit dem Steckschlüssel die zwei Muttern bei der linken Laufrollenachse an der Vorderseite der Schleifmaschine los.
- Drehen Sie das Schleifband nach oben in die gewünschte Position.
- Drehen Sie die beiden Muttern wieder fest.
- Das Werkstück kann nun, anstatt auf dem Schleifband, auf der Arbeitsplatte ruhen.
- Die Arbeitsplatte, die für die Schleifscheibe gebraucht wird, kann nun an der linken Seite der Schleifmaschine mit Hilfe der Achse in das Loch des Maschinengestelles gesteckt werden.
- Drehen Sie die Schraube an der Rückseite der Schleifmaschine fest.
- Sie können die Arbeitsplatte nun als Stütze zum Schleifen des Werkstückes am Schleifband benutzen.

4. Bedienung



Stehen Sie immer frontal zur Maschine, um stets den Überblick zu behalten (Abb. 1, A1+A2).

Ein-/Ausschalten

- Drücken Sie den Schalter in Stand '1' um die Schleifmaschine in Betrieb zu nehmen.
- Um die Maschine auszuschalten, bringen Sie denselben Schalter in Stand '0'.
- Halten Sie das Netzkabel fern von bewegenden Teilen.
- Üben Sie keinen großen Druck mit dem Werkstück aus, damit verlangsamen Sie das Schleifband nur.

Das Schleifen

Die bei dieser Schleifmaschine mitgelieferte Schleifplatte und das mitgelieferte Schleifband eignen sich zum Schleifen von Metall, Holz oder Kunststoff. Halten Sie das Werkstück während des Schleifens gut fest. Üben Sie keinen großen Druck aus. Bewegen Sie das Werkstück über das Schleifband und die Schleifplatte hin und her, um zu verhindern, daß Schleifband und Schleifplatte an einer Stelle verschleifen. Runde Gegenstände können mit den äußeren Enden des

Schleifbandes geschliffen werden. Werkstücke, die länger als die Schleifmaschine sind, können geschliffen werden, indem die Längsschiene entfernt wird.

N.B.: Schleifen Sie Holz immer in Richtung der Holzmaserung, um Absplittern zu verhindern.

Um sehr weiche Oberflächen zu bearbeiten, können Sie den Trick "Fasern nach oben bringen" anwenden. Das geht folgendermaßen: Befeuchten Sie die geschliffenen Oberflächen mit einem nassem Tuch oder Schwamm und lassen Sie alles wieder gut trocknen. Manche Holzfasern schwellen nun mehr als andere, so daß die Oberfläche schließlich grober ist als vorher. Schleifen Sie nun mit feinem Schleifpapier alle herausragenden Teile ab, und Sie erhalten eine sichtbar glattere Oberfläche. Wenden Sie diese Methode allerdings nicht bei gelacktem Holz an. Der Lack kann sich durch die Feuchtigkeit lösen.

5. Service und Wartung



Achten Sie darauf, dass die Maschine nicht an das Stromnetz angeschlossen ist, wenn Wartungsarbeiten an den mechanischen Teilen durchgeführt werden.

Diese Maschinen sind so konzipiert, dass sie lange Zeit bei minimalem Wartungsaufwand problemlos funktionieren. Durch regelmäßiges Reinigen und sachgerechte Behandlung verlängern Sie die Lebensdauer Ihrer Maschine.

Störungen

Im Fall daß das Gerät nicht gut funktioniert, geben wir jetzt einige mögliche Ursachen und Lösungen:

- **Erhitzen des Motors.**
- Die Entlüftungsschlitze sind verstopft mit Schmutz.
 - *Saubern Sie die Entlüftungsschlitze.*
- Der Motor ist defekt.
 - *Bieten Sie das Gerät zur Reperation an bei Ihren Fern Dealer.*

Das eingeschaltete Gerät funktioniert nicht.

- Bruch im Netzanschluß.
 - *Kontrollieren Sie die Netzanschluß. Bieten Sie das Gerät zur Reperation an bei Ihren Fern Dealer.*



Regelmäßige Wartung der Kombi-Band-Schleifmaschine beugt Probleme vor!

Reinigung

Nie Wasser oder beissende Flüssigkeiten benutzen für das Säubern der Maschine. Bürsten Sie die Maschine sauber mit einer Bürste. Halten Sie die Lüftungsschlitze der Maschine sauber, um ein Überhitzung des Motors zu verhindern.

Schmierung

Die Laufrollen der Maschine brauchen nicht geschmiert zu werden.

Fehler

Sollte beispielsweise nach Abnutzung eines Teils ein Fehler auftreten, dann setzen Sie sich bitte mit der auf der Garantiekarte angegebenen Serviceadresse in Verbindung. Im hinteren Teil dieser Anleitung befindet sich eine ausführliche Übersicht über die Teile, die bestellt werden können.

Umwelt

Um Transportschäden zu verhindern, wird die Maschine in einer soliden Verpackung geliefert. Die Verpackung besteht weitgehend aus verwertbarem Material. Benutzen Sie also die Möglichkeit zum Recyclen der Verpackung.



Schadhafte und/oder entsorgte elektrische oder elektronische Geräte müssen an den dafür vorgesehenen Recycling-Stellen abgegeben werden.

Nur für EG-Länder

Entsorgen Sie Elektrowerkzeuge nicht über den Hausmüll. Entsprechend der Europäischen Richtlinie 2012/19/EU für Elektro- und Elektronikschrott sowie der Einführung in das nationale Recht müssen Elektrowerkzeuge, die nicht mehr im Gebrauch sind, getrennt gesammelt und umweltfreundlich entsorgt werden.

Garantie

Die Garantiebedingungen entnehmen Sie bitte der Garantiekarte auf der Rückseite dieser Gebrauchsanleitung.

TAFELBANDSCHUURMACHINE 375W

Hartelijk dank voor de aanschaf van dit Ferm product.

Hiermee heeft u een uitstekend product aangeschaft van één van de toonaangevende Europese distributeurs.

Alle Ferm producten worden gefabriceerd volgens de hoogste prestatie- en veiligheidsnormen. Deel van onze filosofie is de uitstekende klantenservice die wordt ondersteund door onze uitgebreide garantie.

Wij hopen dat u vele jaren naar tevredenheid gebruik zult maken van dit product.

De nummers in de nu volgende tekst verwijzen naar de afbeeldingen op pagina 2-4



Voor uw eigen veiligheid en die van anderen raden wij u aan deze gebruikershandleiding zorgvuldig door te lezen, voordat u deze machine in gebruik neemt. Bewaar deze gebruikershandleiding en de overige documentatie bij de machine.

Beschrijving

De schuurmachine is een gecombineerde machine met alle voordelen van een horizontale en verticale bandschuur-/slijpmachine en die van een schijfschuurmachine. Door de robuuste uitvoering in gietijzer en staal is deze machine geschikt voor alle schuurwerkzaamheden.

Inhoudsopgave:

1. Technische specificaties
2. Veiligheidsvoorschriften
3. Montage accessoires
4. Bediening
5. Service en onderhoud

1. Technische specificaties

Machingegevens

Spanning	230 V, 50 Hz
Opgenomen vermogen	375 W
	$S_2 = 30 \text{ min}^*$
Onbelast toerental schuurband	276 m/min
Onbelast toerental schuurschijf	1450 /min
Schuurband afmetingen	915 x 100 mm
Schuurschijf afmetingen	Ø 150 mm
Gewicht	16.5 kg
Lpa (Geluidsdruk niveau)	79+3 dB(A)

Lwa (Geluidsvermogensniveau) 92+3 dB(A)

* $S_2 =$ Maximale bedieningsperiode bij een capaciteit van 375 W

Benaming onderdelen

Fig. 1 + 6

1. Machineframe
2. Motor
3. Geleider- en parallelaanslag
4. Spanhendel
5. Geleiderol
6. Schuurband
7. Hoofdschakelaar
8. Langsgeleider
9. Aandrijfrol
10. Aluminium schijf
11. Schuurschijf
12. Werkblad
13. Versteekschaal
14. Draagarm

2. Veiligheidsvoorschriften

Uitleg van de gebruikte symbolen



Gevaar voor lichamelijk letsel of materiele schade wanneer de instructies in deze handleiding niet worden opgevolgd



Gevaar voor elektrische schok



Draag bij gebruik van deze machine een stofmasker.



Draag oog- en gehoorbescherming



Houd omstanders op afstand



Het product is in overeenstemming met de van toepassing zijnde veiligheidsnormen in de Europese richtlijnen.

Speciale veiligheidsvoorschriften

- Controleer het volgende:
 - Komt de aansluitspanning van de schuurmachine met de netspanning overeen.

- *Zijn het netsnoer en de netstekker in goede staat: stevig, zonder rafels of beschadigingen.*
- Om functionele redenen zijn de draaiende delen van dit werktuig niet bedekt. Wees daarom voorzichtig. Houdt het werkstuk stevig vast, zodat het niet uit uw handen schiet waardoor deze in aanraking kunnen komen met de schuurvlakken.
- Vermijd het gebruik van lange verlengkabels.

Bij het in bedrijf stellen van de machine:

- Houd het netsnoer altijd uit de buurt van bewegende delen van het gereedschap.
- Gebruik een veiligheidsbril.
- Gebruik een stofmasker.

Elektrische veiligheid

Neem bij het gebruik van elektrische machines altijd de plaatselijk geldende veiligheidsvoorschriften in acht in verband met brandgevaar, gevaar voor elektrische schokken en lichamelijk letsel. Lees behalve onderstaande instructies ook de veiligheidsvoorschriften in het apart bijgevoegde veiligheidskatern door.



Controleer altijd of uw netspanning overeenkomt met de waarde op het typeplaatje.

Bij vervanging van snoeren of stekkers

Wanneer het netsnoer beschadigd raakt, dan dient het vervangen te worden door een speciaal netsnoer dat verkrijgbaar is bij de fabrikant of de customer service van de fabrikant. Gooi oude snoeren of stekkers direct weg zodra ze door nieuwe exemplaren zijn vervangen. Het is gevaarlijk om de stekker van een los snoer in een stopcontact te steken.

Vervanging stekker (alleen Verenigd Koninkrijk)

Als de gegoten driepolige stekker die aan de eenheid vastzit, is beschadigd en moet worden vervangen, is het van belang dat deze wordt gemonteerd en vervangen door een goedgekeurde, gezeekerde stekker BS1363/13A, en dat de volgende instructies voor de bedrading worden opgevolgd. De draden in het netsnoer zijn gekleurd volgens de volgende code:

- blauw neutraal
- bruin stroomvoerend

Aangezien de kleuren van de draden in het netsnoer misschien niet overeenkomen met de gekleurde merktekens die de polen in de stekker aanduiden, gaat u als volgt verder:

- De draad met de blauwe kleur moet op de pool met de letter N of met een zwarte kleur worden aangesloten.
- De draad met de bruine kleur moet op de pool met de letter L of met een rode kleur worden aangesloten.

Bij gebruik van verlengsnoeren

Gebruik uitsluitend een goedgekeurd verlengsnoer, dat geschikt is voor het vermogen van de machine. De aders moeten een doorsnede hebben van minimaal 1,5 mm². Wanneer het verlengsnoer op een haspel zit, rol het snoer dan helemaal af.

Het apparaat onmiddellijk uitzetten bij

- Overmatig vonken van de koolborstels en ringvuur in de collector.
- Storing in de netstekker, netsnoer of snoerbeschadiging.
- Defecte schakelaar.
- Rook of stank van verschroeide isolatie.

3. Montage accessoires

Installatie

Vermijd het gebruik van lange verlengkabels. Let op dat er voldoende ruimte rondom de machine is voor de te schuren werkstukken.

Montage

- Zet het machineframe op de kop en druk de vier rubber voetjes in de voet (1) van het machineframe.
- Machineframe, aluminium schijf (10) en werkblad (12), worden afzonderlijk verpakt geleverd.
- Schuif de aluminium schijf op de as en zet de schijf vast met de inbusbout in de zijkant van de schijf (Fig.2 - 4).
- Plaats het werkblad (12) met de as in het machineframe en zet het werkblad vast m.b.v. de bout in de zijkant van het machineframe. Controleer met een 90° blokhaak op het werkblad en tegen de schuurplaat of de hoek precies 90° is (Fig.5).
- Stel deze hoek eventueel in door het wijzertje van de schaalverdeling te verdraaien.
- Op het werkblad (12) kan de verstekschaal

(13) geplaatst worden die ook los bijgeleverd wordt. M.b.v. deze verstekschaal (13) kan de hoek waarmee geslepen wordt precies worden ingesteld.

- De langsgeleider (8) voor de bandschuur-/slijpmachine kan achter de bovenste bout geplaatst worden van de V-riem afschermkast. Op deze wijze kan een werkstuk stevig en zonder grote gevaren tegen de schuurband gehouden worden.



Om te voorkomen dat het werkstuk of uw vingers tussen het werkblad (12) en de schuurschijf (11) kunnen komen, moet de afstand tussen werkblad (12) en schuurschijf (11) maximaal 1,6 mm zijn.

Keuze van het schuurpapier

Grof schuurpapier (korrel 60) verwijderd over het algemeen het meeste materiaal en fijn schuurpapier (korrel 150) wordt gebruikt voor de afwerking. Als het oppervlak oneffen is, begint u met grof schuurpapier en schuurt totdat het vlak is. Vervolgens gebruikt u middelgrof schuurpapier (korrel 100) om de krassen die het eerste papier heeft achtergelaten te verwijderen en tenslotte neemt u fijn schuurpapier (korrel 150) voor de afwerking. Ga door met schuren totdat het oppervlak glad is.

Schuurpapier aanbrengen

Fig. 6 - 9

Wanneer u de schuurmachine met de schuurschijf naar u toegekeerd heeft staan, beweegt de schuurband van rechts naar links over de bovenzijde van de machine. Door deze draairichting zal het werkstuk tegen de rechterzijde van de langsgeleider gedrukt worden. De juiste looprichting van de schuurband staat aan de binnenzijde aangegeven d.m.v. een pijl (zie tekening). Wanneer geen pijl is aangegeven, moet de schuurband zo geplaatst worden dat het verhoogde gedeelte van de naad, in de draairichting van de band staat. Let op dat de schuurband dus op de juiste wijze wordt geplaatst. De machine gebruikt standaard 100 x 915 mm schuurbanden (nr.7).

- Trek de netstekker uit het stopcontact (de wandcontactdoos).
- Druk de spanhendel geheel naar rechts om de spanning van de geleiderollen te halen (Fig.1: 14).
- Schuif vanaf de achterkant van de machine de

schuurband over de beide geleiderollen.

- Druk de spanhendel geheel naar links. De schuurband moet nu strak over de geleiderollen.
- Draai m.b.v. de vleugelmoer aan de rechter geleiderol de geleiderol precies haaks op de loop van de schuurbanden. De bandloop is juist ingesteld wanneer de zijanten van de schuurband evenwijdig lopen aan de onderlegplaat.

De schuurschijf

Voor de schuurschijf worden papier- of stofplaten gebruikt met een standaard diameter van 150 mm. De schuurplaten zijn zelfklevend.

Verticaal plaatsen van de schuurband

Voor een grotere flexibiliteit van de schuurband kan de onderzijde van de schuurband gebruikt worden omdat zich hier geen onderlegplaat bevindt. Om deze onderzijde makkelijk bereikbaar te maken, kan de schuurband verticaal worden geplaatst.

- Draai de twee moeren (1) aan de voorzijde van de schuurmachine, rond de linker geleiderrol, los m.b.v. een steeksleutel;
- Draai de schuurband omhoog in de gewenste positie;
- Draai de twee moeren (1) weer vast;
- Het werkstuk kan nu op de werktafel rusten en niet op de schuurband;
- Het werkblad dat gebruikt wordt voor de slijpschijf kan nu aan de linkerzijde van de schuurmachine m.b.v. de as in het gat van het machineframe worden gestoken;
- Draai de bout vast aan de achterzijde van de schuurmachine;
- Het werkblad is nu te gebruiken als ondersteuning voor het schuren van het werkstuk tegen de schuurband.

4. Bediening



Ga altijd recht voor de machine staan om steeds het overzicht te behouden (Fig 1, A1+A2).

In-/Uit schakelen

- Zet de schakelaar naar stand '1' om uw schuurmachine in werking te stellen.
- Om uit te schakelen moet u dezelfde schakelaar naar stand '0' drukken.

- Houd het netsnoer altijd uit de buurt van bewegende delen.
- Oefen geen grote druk uit met het werkstuk, dit vertraagt de schuurband alleen maar.

Het schuren

De bij deze schuurmachine geleverde schuurband en -plaat zijn geschikt voor het bewerken van metaal, hout of kunststof. Houd het werkstuk tijdens het schuren stevig vast. Geen extra druk uitoefenen. Beweeg het werkstuk heen en weer over de schuurband en -plaat om te voorkomen dat op één plaats de schuurband en -plaat doorslijten. Ronde voorwerpen kunnen aan de uiteinden van de schuurband geschuurd worden. Werkstukken die langer zijn dan de schuurmachine kunnen geschuurd worden door de langsegeleider te verwijderen.

N.B.: Schuur bij hout altijd in de lengterichting van de nerf om splintervorming te voorkomen.

Om een zeer zacht oppervlak te bewerken kan het trucje worden toegepast om 'de korrels boven te halen'. Dit werkt als volgt: Maak het reeds geschuurde oppervlak nat met een vochtige doek of spons en laat het grondig drogen. Sommige houtvezels zullen meer zwellen dan andere, zodat het oppervlak uiteindelijk ruwer is dan voorheen. Schuur nu met fijn schuurpapier de uitstekende deeltjes weg en u krijgt een opmerkelijk glad oppervlak. Gebruik deze methode echter niet op gevernist hout. De vernis kan losraken door de vochtigheid.

5. Service en onderhoud



Zorg dat de machine niet onder spanning staat wanneer onderhoudswerkzaamheden aan het mechaniek worden uitgevoerd.

De machines van Ferm zijn ontworpen om gedurende lange tijd probleemloos te functioneren met een minimum aan onderhoud. Door de machine regelmatig te reinigen en op de juiste wijze te behandelen, draagt u bij aan een hoge levensduur van uw machine.

Storingen

In het geval de schuurmachine niet naar behoren functioneert, geven wij onderstaand een aantal mogelijke oorzaken en de bijbehorende

oplossingen.

- **Heet worden van de elektromotor.**
- De koelluchtsleuven in de motor zijn verstopt met vuil.
 - *Reinig de koelluchtsleuven.*
- De motor is defect.
 - *Bied de bandschuur-/slijpmachine aan bij uw Ferm dealer voor controle en/of reparatie.*
- **Ingeschakelde machine werkt niet.**
- Onderbreking in de netaansluiting.
 - *Netaansluiting controleren op breuk. Bied de bandschuur-/slijpmachine aan bij uw Ferm dealer voor controle en/of reparatie.*



Periodiek onderhoud aan de schuurmachine voorkomt onnodige problemen!

Reinigen

Gebruik nooit water of andere vloeistoffen bij het schoonmaken van de elektrische delen van de schuurmachine. Houd de ventilatiesleuven van de machine schoon om oververhitting van de motor te voorkomen.

Smeren

De geleiderollen van de machine behoeven niet te worden gesmeerd.

Storingen

Wanneer er zich een storing voordoet, bijvoorbeeld bij slijtage van een onderdeel, neem dan contact op met het onderhoudsadres op de garantiekaart. Achter in deze handleiding ziet u een opengewerkte afbeelding van de onderdelen die besteld kunnen worden.

Milieu

Om transportbeschadiging te voorkomen, wordt de machine in een stevige verpakking geleverd. De verpakking is zo veel mogelijk gemaakt van recyclebaar materiaal. Maak daarom gebruik van de mogelijkheid om de verpakking te recyclen.



Defecte en/of afgedankte elektrische of elektronische gereedschappen dienen ter verwerking te worden aangeboden aan een daarvoor verantwoordelijke instantie.

Uitsluitend voor EG-landen

Werp elektrisch gereedschap niet weg bij het huisvuil. Volgens de Europese Richtlijn 2012/19/EU voor Afgedankte Elektrische en Elektronische Apparatuur en de implementatie ervan in nationaal recht moet niet langer te gebruiken elektrisch gereedschap gescheiden worden verzameld en op een milieuvriendelijke wijze worden verwerkt.

Garantie

Lees voor de garantievoorwaarden de apart bijgevoegde garantiekartaar.

Het product en de gebruikershandleiding zijn onderhevig aan wijzigingen. Specificaties kunnen zonder opgaaf van redenen worden gewijzigd.

PONCEUSE D'ÉTABLI 375W

Merci pour avoir acheté ce produit Ferm.

Vous disposez désormais d'un excellent produit, fourni par un des premiers distributeurs d'Europe. Tous les produits qui vous sont livrés par Ferm sont fabriqués selon les standards les plus élevés en ce qui concerne performances et sécurité et sont étayés par une garantie totale et un excellent service après vente.

Nous espérons que vous profiterez pendant de nombreuses années de ce produit.

Les numeros du texte ci-apres font reference aux schemas de la page 2-4



Lisez attentivement ce mode d'emploi avant la mise en service de l'appareil. Familiarisez-vous avec le fonctionnement et la manipulation de l'appareil. Entretenez l'appareil conformément aux instructions, afin qu'il fonctionne parfaitement à chaque utilisation. Ce mode d'emploi et toute documentation relative à l'appareil doivent être conservés près de celui-ci.

Description

La ponceuse est une machine combinée avec tous les avantages d'une Ponceuse / meuleuse d'établi horizontale et verticale et ceux d'une ponceuse à disque abrasif. Par sa conception robuste en fonte et en acier cette ponceuse est qualifiée pour tous les travaux de ponçage.

Table des matières

1. Specifications techniques
2. Consignes de sécurité
3. Attacher les accessoires
4. Fonctionnement
5. Service et maintenance

1. Specifications techniques

Caracteristiques Techniques

Voltage	230 V, 50 Hz
Puissance consommée	375 W
	$S_2=30 \text{ min}^*$
Vitesse de la bande sans charge	276 m/min
Vitesse de la disque sans charge	1450 /min
Dimensions de la bande	915 x 100 mm
Dimensions de la disque	Ø 150 mm
Poids	16.5 kg

Niveau de pression acoustique L _{pa}	79+3 dB(A)
Niveau de puissance acoustique L _{wa}	92+3 dB(A)

*S₂=durée de fonctionnement maximale pour une puissance de 375 W

Niveau de vibrations

Le niveau de vibrations émises indiqué en ce manuel d'instruction a été mesuré conformément à l'essai normalisé de la norme EN 60745; il peut être utilisé pour comparer plusieurs outils et pour réaliser une évaluation préliminaire de l'exposition aux vibrations lors de l'utilisation de l'outil pour les applications mentionnées

- l'utilisation de l'outil dans d'autres applications, ou avec des accessoires différents ou mal entretenus, peut considérablement augmenter le niveau d'exposition
- la mise hors tension de l'outil et sa non-utilisation pendant qu'il est allumé peuvent considérablement réduire le niveau d'exposition

Protégez-vous contre les effets des vibrations par un entretien correct de l'outil et de ses accessoires, en gardant vos mains chaudes et en structurant vos schémas de travail

Liste de parties

Fig. 1 + 6

1. Bâti de machine
2. Moteur
3. Butoir de guidage et guidage parallèle
4. Levier de tension
5. Cylindre de guidage
6. Bande de ponçage
7. Interrupteur principal
8. Guide latéral
9. Cylindre d'entraînement
10. Disque aluminium
11. Disque abrasif
12. Plan de travail
13. Echelle à onglets
14. Bras porteur

2. Consignes de sécurité

Explication des symboles



Indique un risque de blessures, un danger mortel ou un risque d'endommagement de l'outil en cas de non-respect des consignes de ce mode d'emploi.



Indique un risque de décharges électriques



Débranchez immédiatement la fiche de l'alimentation électrique principale dans le cas où la corde est endommagée et pendant la



Protégez-vous les yeux et les oreilles



Portez un masque anti-poussière



Ne laissez aucune personne s'approcher de la zone de travail



Le produit est conforme aux normes de sécurité en vigueur spécifiées dans les directives européennes.

Instructions spéciales de sécurité

- Contrôlez ce qui suit:
 - Est-ce que la tension de raccordement du moteur et éventuellement la sécurité du moteur correspond à la tension du réseau.
 - Utilisez un branchement au secteur mis à la terre (prise femelle fixe).
 - Est-ce que le fil d'alimentation et la fiche-secteur sont en bon état: fort, sans effiloches ou endommagements.
- Pour des raisons fonctionnelles les parties tournantes de cet outil ne sont pas couvertes. Pour cela, nous vous recommandons d'être prudent. Tenir fermement l'ouvrage, de sorte qu'il ne peut pas s'échapper de vos mains et que celles-ci ne peuvent pas entrer en contact avec les surfaces de ponçage.
- Prévenez l'usage de câbles d'allongement longs.

Lors de la mise en marche de la machine:

- Tenir le fil électrique toujours loin des parties mouvantes de l'outillage.
- Utiliser des lunettes de sécurité.
- Utiliser des filtre respiratoire

Consignes de sécurité électrique

Lors d'utilisation de machines électriques, observez les consignes de sécurité locales en vigueur en matière de risque d'incendie, de chocs électriques et de lésion corporelle. En plus des instructions ci-dessous, lisez entièrement les consignes de sécurité contenues dans le cahier de sécurité fourni à part.



Vérifiez toujours si la tension de votre réseau correspond à la valeur mentionnée sur la plaque signalétique.

En cas de changement de câbles ou de fiches

Si le câble d'alimentation électrique est endommagé, il doit être remplacé par un câble d'alimentation électrique spécial disponible auprès du fabricant ou de son service clientèle. Jetez les vieux câbles ou prises immédiatement après les avoir remplacés par de nouveaux. Il est dangereux de brancher un câble lâche.

Remplacement de la fiche d'alimentation (prise UK uniquement)

Si la prise moulée à trois broches reliée à l'unité est endommagée et doit être remplacée, il est important qu'elle soit correctement détruite et remplacée par une fiche BS1363/13 A avec fusible approuvée, et que les instructions de câblage suivantes soient suivies. Les fils du câble d'alimentation respectent le code couleur suivant:

- bleu neutre
- marron phase

Les couleurs des fils du câble d'alimentation de l'unité peuvent ne pas correspondre aux repères de couleur des bornes de la prise. Dans ce cas, procédez comme suit:

- Branchez le fil bleu à la borne marquée de la lettre N ou de couleur noire.
- Branchez le fil marron à la borne marquée de la lettre L ou de couleur rouge.

En cas d'emploi de câbles prolongateurs

Employez exclusivement un câble prolongateur homologué, dont l'usage est approprié pour la puissance de la machine. Les fils conducteurs

doivent avoir une section minimale de 1,5 mm². Si le câble prolongateur se trouve dans un dévidoir, déroulez entièrement le câble.

Arrêter immédiatement l'appareil en cas de:

- Étinceler démesurément des balais et feu annulaire dans le collecteur.
- Court-circuit de la fiche-secteur ou du fil d'alimentation ou endommagement du fil d'alimentation.
- Interrupteur défectueux.
- Fumée ou odeur d'isolant brûlé.

3. Attacher les accessoires**Installation**

Évitez l'utilisation des câbles de rallonge longues. Faites attention qu'il y a suffisamment d'espace autour de la machine pour les pièces à poncer.

Montage

- Posez le bâti de la machine à l'envers et poussez les quatre pieds en caoutchouc dans le pied (1) du bâti de la machine.
- Le bâti de la machine, le disque en aluminium (10) et le plan de travail (12), sont livrés dans un emballage séparé.
- Glissez le disque en aluminium sur l'axe et fixez le disque avec le boulon à six pans creux dans le côté du disque (Fig.2 - 4).
- Placez le plan de travail (12) avec l'axe dans le bâti de la machine et fixez le plan de travail à l'aide du boulon dans le côté du bâti de la machine. Contrôlez, en posant une équerre à 90° sur le plan de travail et contre le disque abrasif, que l'angle soit exactement à 90° (Fig.5).
- Réglez éventuellement cet angle en tournant l'aiguille de la graduation de l'échelle.
- Sur le plan de travail (12) on peut placer l'échelle à onglets (13), qui est livré avec aussi. A l'aide de cette échelle à onglets (13) l'angle sous lequel est poncé peut être réglé exactement.
- Le conducteur latéral (8) pour la Ponceuse / meuleuse d'établi peut être placé derrière le boulon du dessus de la boîte de protection de la courroie de ventilation. De cette manière un ouvrage peut être tenu solidement contre la bande de ponçage, et cela sans grands dangers.



Pour éviter que l'ouvrage ou vos doigts ne se trouvent entre le plan de travail (12)

et le disque abrasif (11), la distance entre le plan de travail (12) et le disque abrasif (11) doit être de 1,6 mm au maximum.

Choix du papier abrasif

Le papier abrasif grossier (grain 60) enlève en général, le plus de matériel, et le papier abrasif fin (grain 150) est généralement utilisé pour la finition. Lorsque la surface est inégale, commencez avec le papier abrasif grossier et poncez jusqu'à ce que la surface soit égalisée. Ensuite utilisez le papier abrasif moyen (grain 100), pour éloigner les rayures que le premier papier a provoquées et enfin, prenez du papier abrasif fin (grain 150) pour la finition. Continuez jusqu'à ce que la surface soit lisse.

Poser le papier abrasif

Fig. 6 - 9

Lorsque vous avez la ponceuse tournée avec la disque abrasif vers vous, la bande de ponçage bouge de droite à gauche sur le dessus de la machine. Par cette direction de rotation l'ouvrage sera poussé contre le côté droit du conducteur latéral. La direction de marche juste de la bande de ponçage est indiquée à l'intérieur à l'aide d'une flèche. Lorsqu'il n'y pas une flèche d'indication, la bande de ponçage devra être placée de telle façon que la partie surélevé du joint, se trouve dans la direction de la rotation de la bande. Donc, faites attention que la bande de ponçage soit placée de façon juste. La machine utilise d'une façon standard des bandes de ponçage de 100 x 916 mm (no 7).

- Retirez la fiche de la prise de contact (la prise murale).
- Poussez le levier de tension entièrement vers la droite pour enlever la tension des cylindres de guidage (Fig.1: 14).
- Glissez, depuis le côté arrière de la machine, la bande de ponçage par-dessus les deux cylindres de guidage.
- Poussez le levier de tension entièrement vers la gauche. La bande de ponçage doit être tendue sur les cylindres de guidage maintenant.
- Fixez le cylindre de guidage, à l'aide de la vis à ailettes sur le cylindre de guidage de droite de sorte qu'il se trouve exactement en équerre sur la marche des bandes de ponçage. La marche des bandes est réglée de manière juste, lorsque les côtés de la bande de

ponçage sont parallèles à la plaque de dessous.

Le disque abrasif

Pour le disque abrasif sont utilisées des disques de papier ou de toile avec un diamètre standard de 150 mm. Les disques sont autocollantes.

Placement vertical de la bande de ponçage

Fig. 6 - 9

Pour une plus grande flexibilité de la bande de ponçage, on peut utiliser le dessous de la bande de ponçage car, ici, il n'y a pas de plaque de dessous. Pour rendre ce dessous facilement accessible, la bande de ponçage peut être placée verticalement.

- Dévissez les deux écrous sur le devant de la ponceuse, autour de l'axe cylindrique de guidage, à l'aide d'une clé plate.
- Tournez la bande de ponçage vers le haut dans la position désirée.
- Revissez les deux écrous.
- L'ouvrage peut maintenant reposer sur la table de travail et non pas sur la bande de ponçage.
- Le plan de travail qui est utilisé pour le disque abrasif peut maintenant être introduit dans le trou du bâti de la machine sur le côté gauche de la ponceuse, à l'aide de l'axe.
- Resserrez le boulon à l'arrière de la ponceuse.
- Le plan de travail peut maintenant être utilisé comme soutien pour le ponçage de l'ouvrage contre la bande de ponçage.

4. Fonctionnement



Tenez-vous toujours en face de la machine pour garder la maîtrise en permanence (Fig 1, A1+A2).

Mise en marche/Mise à l'arrêt

- Poussez l'interrupteur vers la position '1' pour mettre votre ponceuse en service.
- Pour mettre en arrêt, pousser le même interrupteur vers la position '0'.
- Tenez toujours le câble électrique loin des parties mouvantes.
- Ne pas utiliser de forte pression sur l'ouvrage, cela ralentira seulement la bande ponçage.

Le ponçage

La bande de ponçage et la plaque livrées avec cette ponceuse sont qualifiées pour le travail

sur métal, bois ou matière synthétique. Tenez solidement l'ouvrage durant le ponçage. Ne pas user de pression supplémentaire. Ouvrez l'ouvrage en un mouvement de va et vient sur la bande de ponçage et la plaque pour éviter que la bande de ponçage et la plaque ne soient percées en un endroit. Des objets ronds peuvent être poncés sur les bouts de la bande de ponçage. Des ouvrages qui sont plus longs que la ponceuse pourront être poncés en enlevant le conducteur latéral.

N.B.: Poncez le bois toujours dans le sens des nervures, pour éviter la formation d'échardes.

Pour travailler sur une surface très tendre, il est possible d'appliquer un petit truc pour faire remonter les grains. Cela fonctionne comme suit: Mouillez la surface déjà poncée, avec un chiffon ou une éponge humide et laissez sécher à fond. Certaines fibres de bois gonfleront plus que d'autres, de sorte que la surface sera finalement plus rugueuse qu'avant. Faites disparaître maintenant les petites parties saillantes en les ponçant avec du papier fin et vous obtiendrez une surface remarquablement lisse. Mais, ne pas utiliser cette méthode sur du bois vernis. Le vernis pourrait se détacher à cause de l'humidité.

5. Service et entretien



Assurez-vous que la machine n'est pas sous tension si vous allez procéder à des travaux d'entretien dans son système mécanique.

Les machines de Ferm ont été conçues pour fonctionner longtemps sans problème avec un minimum d'entretien. En nettoyant régulièrement et correctement la machine, vous contribuerez à une longue durée de vie de votre machine.

Pannes

Au cas où la ponceuse ne fonctionnerait pas convenablement nous indiquons ci-dessous une certaine quantité de causes possibles ainsi que les solutions pour chaque cas:

- **Le moteur électrique est chaud.**
- Les encoches d'air frais dans le moteur sont bouchés avec du sale.
 - Nettoyez les encoches d'air frais.
- Le moteur est défectueux.

- *Donnez la ponceuse à réparer à votre distributeur Ferm.*

- **La machine branchée ne fonctionne pas.**
- Interruption dans le raccordement du réseau.
 - *Contrôlez si le raccordement du réseau a une rupture. Donnez la ponceuse à réparer à votre distributeur Ferm.*



Entretien périodique de la ponceuse prévient des problèmes inutiles!

Nettoyage

N'utilisez jamais de l'eau ou d'autres liquides si vous nettoyez les parties électriques de la ponceuse vibrante. Tenez proprement les fentes de la ventilation de la machine pour éviter le surchauffement du moteur.

Graissage

Les cylindres de guidage de la machine n'ont pas besoin d'être graissés.

Dysfonctionnements

Veuillez vous adresser au centre de service indiqué sur la carte de garantie en cas d'un dysfonctionnement, par exemple après l'usure d'une pièce. Vous trouverez, à la fin de ce manuel, un schéma avec toutes les pièces que vous pouvez commander.

Environnement

Pour éviter les dommages liés au transport, la machine est livrée dans un emballage robuste. L'emballage est autant que possible constitué de matériau recyclable. Veuillez par conséquent destiner cet emballage au recyclage.



Tout équipement électronique ou électrique défectueux dont vous vous seriez débarrassé doit être déposé aux points de recyclage appropriés.

Uniquement pour les pays CE

Ne jetez pas les outils électriques avec les déchets domestiques. Selon la directive européenne 2012/19/EU « Déchets d'équipements électriques et électroniques » et sa mise en œuvre dans le droit national, les outils électriques hors d'usage doivent être collectés séparément et mis au rebut de manière écologique.

LIJADORA DE BANCO 375W

Garantie

Pour les conditions de garantie, lisez le certificat de garantie joint à part.

Le produit et le manuel d'utilisation sont sujets à modifications. Les spécifications peuvent changer sans autre préavis.

Gracias por adquirir este producto Ferm.

Ahora dispone de un producto excelente, proporcionado por uno de los principales distribuidores de Europa.

Todos los productos Ferm ofrecen los niveles más altos de calidad en cuanto a funcionamiento y seguridad y, como parte de nuestra filosofía, prestamos un servicio superior de atención al cliente avalado por nuestro sello de garantía total. Esperamos que disfrute utilizando este producto durante muchos años.

Los números contenidos en el texto siguiente se refieren a las ilustraciones de la página 2-4.



Lea atentamente estas instrucciones de uso antes de poner el aparato en funcionamiento. Póngase al corriente con la forma de funcionamiento y el manejo. Cuide la máquina de acuerdo con las instrucciones para que funcione siempre de forma correcta. Las instrucciones de uso y la correspondiente documentación deben guardarse en la proximidad de la máquina.

Introducción

La máquina lijadora es una máquina combinada con todas las ventajas de una máquina lijadora de cinta horizontal y vertical y las de una máquina lijadora de disco abrasivo. Gracias a que está hecha de hierro forjado y acero, esta máquina es apropiada para todo tipo de trabajos de lijado.

Contenidos

1. Datos técnicos
2. Normas de seguridad
3. Montaje de los accesorios
4. Funcionamiento
5. Reparación y mantenimiento

1. Datos técnicos

Características técnicas

Voltaje	230 V, 50 Hz
Consumo eléctrico	375 W
	$S_2=30 \text{ min}^*$
Velocidad de banda sin carga	276 m/min
Velocidad de disco sin carga	1450 /min
Dimensiones de banda	915 x 100 mm
Dimensiones de disco	Ø 150 mm

Peso	16.5 kg
Nivel de presión acústica Lpa	79+3 dB(A)
Nivel de potencia acústica Lwa	92+3 dB(A)

*S₂=Período máximo de funcionamiento a una capacidad de 375 Vatios

Nivel de vibración

El nivel de emisión de vibraciones indicado en este manual de instrucciones ha sido medido según una prueba estándar proporcionada en EN 60745; puede utilizarse para comparar una herramienta con otra y como valoración preliminar de la exposición a las vibraciones al utilizar la herramienta con las aplicaciones mencionadas.

- al utilizarla para distintas aplicaciones o con accesorios diferentes o con un mantenimiento deficiente, podría aumentar de forma notable el nivel de exposición.
- en las ocasiones en que se apaga la herramienta o cuando está funcionando pero no está realizando ningún trabajo, se podría reducir el nivel de exposición de forma importante.

Protéjase contra los efectos de la vibración realizando el mantenimiento de la herramienta y sus accesorios, manteniendo sus manos calientes y organizando sus patrones de trabajo.

Lista de piezas

Fig.1 + 6

1. Armazón de la máquina
2. Motor
3. Guiador y tope paralelo
4. Palanca tensora
5. Rodillo guiador
6. Cinta lijadora
7. Interruptor principal
8. Guiador lateral
9. Rodillo motriz
10. Disco de aluminio
11. Disco abrasivo
12. Tablero de trabajo
13. Gradación de ingletes
14. Brazo

2. Normas de seguridad

Explicación de los símbolos



Indica peligro de accidente, de muerte o riesgo de provocar averías en el aparato en caso de no seguir las instrucciones de este manual.



Indica el peligro de sufrir descargas eléctricas.



Lleve protectores para los ojos y los oídos



Utilice siempre una máscara



Mantenga a los presentes a una distancia prudential de la zona de trabajo



El producto es conforme a las normas de seguridad aplicables según las directivas europeas.

Instrucciones especiales de seguridad

- Controle lo siguiente:
 - La tensión del motor corresponde a la tensión existente en la red;
 - El cable y la clavija están en buen estado: sólidos, sin hilachos o averías.
- Por motivos funcionales, las partes giratorias de este aparato no vienen cubiertas. Por lo tanto hay que tener cuidado. Hay que sujetar firmemente el trabajo, para evitar que se suelte y las manos rocen las superficies de lijado.
- Evitar el uso de cables de prolongación largos.

Al poner la maquina en funcionamiento

- Mantenga siempre el cable fuera de las partes en movimiento de la herramienta.
- Usar unas gafas de seguridad.
- Usar una máscara antipolvo.

Seguridad eléctrica

Tenga siempre presentes las normas de seguridad locales con respecto al peligro de incendio, peligro de sufrir descargas eléctricas y peligro de accidentes. Lea, además de las instrucciones que siguen a continuación, las

normas de seguridad que aparecen en el cuadernillo anexo.



Controle que la tensión de la red sea la misma que la que aparece indicada en la placa.

Recambio de cables y enchufes

Si la red eléctrica de cables resulta dañada, se debe sustituir con una red de cables especial que se puede obtener del fabricante o del servicio de atención al cliente. Deshágase de los cables o clavijas antiguos inmediatamente después de sustituirlos por los nuevos. Es peligroso conectar a un enchufe la clavija de un cable suelto.

Sustitución del enchufe de alimentación de red (solo Reino Unido)

Si el enchufe moldeado de 3 clavijas que viene con la unidad está dañado o debe sustituirse, es importante destruirlo correctamente y sustituirlo por un enchufe con fusible BS1363/13A aprobado y seguir las siguientes instrucciones de cableado. Los hilos del cable de alimentación de red tienen colores que corresponden a los siguientes códigos:

- azul neutro
- marrón tensión

Como los colores de los hilos del cable de alimentación de red de la unidad pueden no coincidir con las marcas de colores que identifican los terminales del enchufe, haga lo siguiente:

- El cable de color azul debe conectarse al terminal marcado con la letra N o de color negro.
- El cable de color marrón debe conectarse al terminal marcado con la letra L o de color rojo.

Uso de cables de extensión

Utilice siempre cables de extensión autorizados que sean aptos para la potencia del aparato. Los hilos deben tener un diámetro de 1,5 mm². Cuando el cable de extensión esté en un carrete, desenrolle el cable completamente.

Desconectar inmediatamente el aparato en caso de:

- Sobrecalentamiento de la máquina.
- Fallo en el enchufe, en el cable o avería del cable.
- Interruptor averiado.
- Humo o mal humor de material aislante

quemado.

3. Montaje de los accesorios

Instalación

Evitar el uso de cables de prolongación largos. Hay que encargarse de que haya espacio suficiente alrededor de la máquina para los trabajos que se vayan a lijar.

Montaje

- Poner cabeza abajo el armazón de la máquina y presionar los cuatro pies de caucho en el pie (1) del armazón de la máquina.
- El armazón de la máquina, el disco de aluminio (10) y el tablero de trabajo (12) vienen empaquetados por separado.
- Deslizar el disco de aluminio en el eje y sujetar el disco con el tornillo de hexágono interior en el lateral del disco (Fig.2 - 4).
- Colocar el tablero de trabajo (12) con el eje en el armazón de la máquina y sujetar el tablero de trabajo con el tornillo en el lateral del armazón de la máquina. Con una escuadra de bloque de 90° puesta en el tablero de trabajo y contra el disco abrasivo, comprobar si el ángulo es exactamente 90° (Fig.5).
- Si hace falta, ajustar este ángulo girando las manillas de la gradación.
- En el tablero de trabajo (12) se puede colocar la gradación de ingletes (13), que también viene empaquetada por separado. Con esta gradación de ingletes (13) se puede ajustar con exactitud el ángulo con que se va a lijar.
- El guíador lateral (8) para la máquina lijadora de cinta se puede colocar detrás del tornillo superior de la capa protectora de la correa en V. De ese modo una pieza de trabajo se puede poner firmemente y sin peligro contra la cinta lijadora.



Para evitar que el trabajo o los dedos de uno se metan entre el tablero de trabajo y el disco abrasivo, la distancia entre el tablero de trabajo y el disco abrasivo debe ser 1,6 mm como máximo.

Colocar el papel de lija

Fig.6 - 9

Si se tiene colocada hacia uno la máquina lijadora, la cinta lijadora se mueve de la derecha a la izquierda sobre la parte superior de la máquina. Por esa dirección de giro, el trabajo será

presionado contra el lado derecho del guiador lateral. La correcta dirección de marcha de la cinta lijadora viene indicada en la parte interior con una flecha (ver el dibujo). Si no viene indicada con una flecha, la cinta lijadora hay que colocarla de tal manera que la parte alzada de la junta vaya en la dirección de marcha de la cinta. O sea que hay que cerciorarse de que la cinta lijadora sea puesta de la manera correcta. La máquina usa cintas standard de 100 x 915 mm (nr.7).

- Sacar la clavija de conexión a la red del enchufe (enchufe de pared).
- La palanca tensora hay que presionarla totalmente hacia la derecha para quitar la tensión de los rodillos guidores (Fig.1: 14).
- Desde la parte de atrás de la máquina, hay que deslizar la cinta lijadora sobre los dos rodillos guidores.
- La palanca tensora hay que presionarla totalmente hacia la izquierda. Ahora la cinta lijadora debe estar bien tensada sobre los rodillos guidores.
- Con la tuerca con mariposa, del rodillo guiador derecho, hay que girar el rodillo guiador precisamente en ángulo recto respecto de la marcha de las cintas lijadoras. La marcha de la cinta está bien ajustada si los laterales de la cinta lijadora van paralelamente a la placa inferior.

El disco abrasivo

Para el disco abrasivo se usan placas de papel o de textil con un diámetro standard de 150 mm. Las placas lijadoras son autoadhesivas.

Para colocar verticalmente la cinta lijadora

Para obtener una mayor flexibilidad de la cinta lijadora, se puede usar la parte inferior de la cinta lijadora debido a que ahí no se encuentra una placa inferior. Para un acceso más fácil de esa parte inferior, la cinta lijadora se puede colocar verticalmente.

- Con una llave de boca, hay que desenroscar las dos tuercas de la parte delantera de la máquina lijadora en torno al eje del rodillo guiador izquierdo.
- Girar hacia arriba la cinta lijadora en la posición deseada.
- Enroscar de nuevo las dos tuercas.
- Ahora el trabajo puede apoyarse en el tablero de trabajo y no en la cinta lijadora.

- Ahora, el tablero de trabajo que se usa para el disco abrasivo, al lado izquierdo de la máquina lijadora puede ser metido con un eje en el agujero del armazón de la máquina.
- Enroscar el perno en la parte trasera de la máquina lijadora.
- Ahora el tablero de trabajo se puede usar como apoyo para lijar el trabajo contra la cinta lijadora.

4. Funcionamiento



Trabajar siempre mirando hacia la máquina para poder controlar bien lo que pasa en su entorno (Fig 1, A1+A2).

Conexión/Deconexión

- Poner el interruptor en la posición "I" para poner en funcionamiento la máquina lijadora.
- Para desconectar, el mismo interruptor hay que ponerlo en la posición "O".
- Mantener el cable de conexión a la red siempre a distancia de partes en movimiento de la herramienta.
- No se debe ejercer demasiado presión sobre el trabajo, eso sólo hace reducir la velocidad de la cinta lijadora.

El lijar

La cinta lijadora y la placa lijadora que se suministran con esta máquina lijadora son apropiadas para trabajar metal, madera o material sintético. Durante el lijado hay que sujetar firmemente el trabajo. No se debe ejercer extra presión. El trabajo hay que moverlo de un lado a otro sobre la cinta lijadora y placa lijadora, para evitar que la cinta lijadora y placa lijadora se desgasten en un solo sitio. Objetos redondos se pueden lijar en los extremos de la cinta lijadora. Los trabajos que sean más largos que la máquina lijadora, se pueden lijar quitando el guiador lateral.

N.B.: Madera siempre debe de ser lijada en sentido longitudinal del grano, para evitar que se produzcan astillas.

Para trabajar una superficie muy tierna se puede aplicar un truco para "hacer resaltar los granos". Trabaje como sigue: moje la superficie ya lijada con un paño húmedo o una esponja y deje secar. Ciertas fibras de madera se hincharán más que otras de manera que la superficie resulte finalmente más rugosa que antes. Lije ahora con papel de lija fino las partes que sobresalen

y Ud obtiene una superficie perfectamente lisa. Sin embargo no utilice este método en una madera barnizada. El barniz puede soltarse por la humedad.

5. Reparación y mantenimiento



Antes de cualquier trabajo de mantenimiento o limpieza saque siempre el enchufe de la caja de corriente (enchufe de pared). No utilice nunca agua u otros líquidos para limpiar las partes eléctricas de su pulidora.

Los aparatos de Ferm han sido diseñados para funcionar correctamente durante un largo periodo de tiempo necesitando un mantenimiento mínimo. Manteniendo limpio el aparato y usándolo correctamente, conseguirá alargar la vida útil de los aparatos.

Averías

Cuando la lijadora de cinta no funciona como debiera, le indicamos abajo algunas causas posibles con las soluciones respectivas. Si no obstante no se puede solucionar el problema, haga reparar la máquina por una empresa de servicio autorizada o un especialista autorizado.

El motor se pone caliente.

- El motor está sobrecargado.
 - *Deje enfriar el motor de vez en cuando.*
- Avería del motor.
 - *Lleve la máquina a su distribuidor Ferm para un control y/o una reparación.*

La máquina funciona cuando está conectada.

- Interrupción en el circuito eléctrico.
 - *Controle el cable y la clavija. lleve la máquina a su distribuidor Ferm para un control y/o una reparación.*



Un mantenimiento periódico de Lijadora de cinta evita problemas inútiles!

Limpieza

Limpie regularmente el aparato con un paño, preferentemente después de cada uso. Asegúrese de que las rejillas de ventilación no posean partículas de polvo ni suciedad. Si hubiera suciedad incrustada, utilice un paño humedecido con agua y jabón. No utilice jamás

materiales disolventes tales como gasolina, alcohol, amoníaco, etc. Dichos productos podrían dañar el plástico de diferentes piezas del aparato.

Engrasado

El aparato no necesita ser engrasado.

Averías

Si se presenta una avería, por ejemplo, por el desgaste de una pieza, póngase en contacto con el proveedor de servicios indicado en la tarjeta de garantía. En el dorso de este manual encontrará un amplio resumen de las partes de recambio que se pueden ordenar.

Uso ecológico

Para prevenir los daños durante el transporte, el aparato ha sido embalado. Dicho embalaje está hecho, en la medida de lo posible, de material reciclable. Le rogamos, por lo tanto, que recicle dicho material.



Cualquier aparato eléctrico o electrónico desechado y/o defectuoso tiene que depositarse en los lugares apropiados para ello.

Sólo para países CE

No deseche las herramientas eléctricas con los residuos domésticos. De conformidad con la Directiva Europea 2012/19/EU sobre residuos de aparatos eléctricos y electrónicos y su implementación en el derecho nacional, las herramientas eléctricas que dejen de funcionar deben recogerse por separado y desecharse de forma respetuosa con el medio ambiente.

Garantía

Lea atentamente las condiciones de garantía indicadas en la tarjeta de garantía que aparece en este manual de instrucciones.

El producto y el manual de usuario están sujetos a cambios. Las especificaciones pueden modificarse sin previo aviso.

LIXADEIRA DE BANCADA 375W

Obrigado por ter adquirido este produto Ferm.

Agora possui um produto excelente, fornecido por um dos principais distribuidores Europeus. Esperamos que goze a utilização deste produto durante muitos anos.

Os números no texto seguinte correspondem às figuras da página 2-4.



Leia este manual de instruções com atenção antes de colocar o aparelho em funcionamento. Familiarize-se com o modo de funcionamento e de operação. Efectue a manutenção ao aparelho de acordo com as indicações, de forma a garantir um bom funcionamento. O manual de instruções e a documentação correspondente devem ser guardadas perto do aparelho.

Descrição

Esta máquina combina todas as vantagens de uma cinta lixadeira horizontal e vertical com as de uma lixadeira de disco. Sua construção robusta em ferro fundido e aço faz a máquina apropriada para todo tipo de lixamento.

Conteúdos:

1. Dados técnicos
2. Instruções de segurança
3. Acessórios de montagem
4. Funcionamento
5. Serviço e manutenção

1. Dados técnicos

Especificações técnicas

Tensão	230 V, 50 Hz
Consumo de energia	375 W
	S ₂ =30 min*
Velocidade da lixa sem carga	276 m/min
Velocidade da disco sem carga	1450 /min
Dimensões da lixa	915 x 100 mm
Dimensões da disco	Ø 150 mm
Peso	16.5 kg
L _{pa} (pressão sonora)	79+3 dB(A)
L _{wa} (potência acústica)	92+3 dB(A)

*S₂=O período máximo de operação com uma capacidade de 375 W

Nível de vibração

O nível de emissão de vibrações indicado na parte posterior deste manual de instruções foi medido de acordo com um teste normalizado fornecido na EN 60745; pode ser utilizado para comparar uma ferramenta com outra e como uma avaliação preliminar de exposição à vibração quando utilizar a ferramenta para as aplicações mencionadas

- utilizar a ferramenta para diferentes aplicações ou com acessórios diferentes ou mantidos deficiente, pode aumentar significativamente o nível de exposição
- o número de vezes que a ferramenta é desligada ou quando estiver a trabalhar sem fazer nada, pode reduzir significativamente o nível de exposição

Proteja-se contra os efeitos da vibração, mantendo a ferramenta e os acessórios, mantendo as mãos quentes e organizando os padrões de trabalho


Lista de peças

Fig.1 + 6

1. Corpo da máquina
2. Motor
3. Rolete de encosto e encosto paralelo
4. Manopla de aperto
5. Rolete de transporte
6. Cinta lixadeira
7. Interruptor principal
8. Proteção
9. Rolete de tração
10. Disco de alumínio
11. Disco de lixa
12. Mesa de trabalho
13. Dispositivo giratório
14. Braço de suporte.


2. Instruções de segurança


Explicação dos símbolos


 Indica o risco de ferimentos, perda de vida ou danos na ferramenta, se não seguir as instruções deste manual.

 Indica o perigo de choque eléctrico

 Utilize protecção visual e auditiva

 Use uma máscara de pó

 Mantenha as pessoas à distância

 O produto está em conformidade com as normas de segurança aplicáveis nas directivas europeias.

Instruções de segurança específicas

- Os seguintes pontos devem ser verificados:
 - Se a voltagem da máquina corresponde à voltagem da linha de alimentação;
 - Se os cabos de ligação e as tomadas estão em boas condições; firmes, não embaraçados e sem danos.
- Por razões funcionais as partes giratórias da máquina não estão cobertas. Portanto é da maior importância que se tome cuidado. Segure a peça de trabalho firmemente para evitar que esta escorregue de suas mãos. Nunca toque as superfícies ásperas da máquina com suas mãos.
- Evite utilizar cabos de extensão muito longos.

Antes de você operar a máquina:

- Sempre mantenha o cabo de alimentação distante das partes móveis da máquina.
- Utilize luvas de segurança.
- Utilize máscara respiratória.

Segurança eléctrica

Quando usar ferramentas eléctricas, respeite sempre as regras de segurança localmente em vigor, referentes ao perigo de incêndio, choque eléctrico ou ferimentos. Além das instruções

seguintes leia também as instruções de segurança fornecidas em separado.



Verifique sempre se a voltagem da rede corresponde à voltagem indicada na chapa de tipo.

Substituição de cabos ou fichas

Em caso de deterioração do cabo da corrente, este deverá ser substituído por um cabo de corrente especial, disponível a partir do fabricante ou do serviço de apoio ao cliente do fabricante. Destrua os cabos ou fichas usados imediatamente após a sua substituição por novos. É perigoso ligar a ficha de um cabo frouxo a uma tomada.

Substituir a ficha (apenas no Reino Unido)

Se a ficha de 3 pinos moldada fixada no equipamento estiver danificada e for necessário substituí-la, é importante que seja destruída e substituída correctamente por uma ficha com fusível BS1363/13A aprovada e que as instruções de ligação sejam seguidas. Os fios no cabo de rede têm várias cores, de acordo com o seguinte código:

- azul neutro
- castanho com corrente

Uma vez que as cores dos fios no cabo de rede do equipamento podem não corresponder às marcações de cores que identificam os terminais na ficha, proceda do seguinte modo:

- O fio azul deve ser ligado ao terminal assinalado com a letra N ou a preto.
- O fio castanho deve ser ligado ao terminal assinalado com a letra L ou a vermelho.

Utilização de cabos de prolongamento

Apenas use cabos de prolongamento aprovados que sejam adequados para a potência da máquina. A espessura mínima dos fios condutores é de 1,5 mm². Quando usar um cabo de prolongamento enrolado, desenrole sempre o cabo completamente.

Desligue imediatamente a máquina se:

- Saírem fagulhas excessivas das escovas e verticiliose no colectór.
- Existir uma interrupção de corrente, falha do cabo de alimentação eléctrica ou danos no cabo.
- Verificar um interruptor defeituoso
- Verificar fumo ou cheiro do isolamento

queimado.

3. Acessórios de montagem

Instalação

Evite utilizar cabos de extensão muito longos. Não se esqueça de deixar espaço suficiente ao redor da máquina para as peças de trabalho a serem lixadas.

Montagem

- Coloque o corpo da máquina em pé e pressione os quatro encostos de borracha no pé do corpo.
- O corpo da máquina, disco de alumínio (10) e mesa de trabalho (12) são fornecidos em embalagem separada.
- Coloque o disco de alumínio sobre o eixo e aperte o disco com os parafusos na lateral do mesmo (Fig.2 - 4).
- Posicione a mesa de trabalho (12) com o eixo no corpo da máquina e afixe a mesa de trabalho com os parafusos na lateral do corpo da máquina. Verifique com um esquadro de 90° sobre a mesa de trabalho e contra o disco de lixa se o ângulo é de exatamente 90° (Fig.5).
- Se necessário, ajuste este ângulo com o indicador de calibração.
- O dispositivo giratório (13), que também é fornecido separadamente, pode ser posicionado sobre a mesa de trabalho (13). Com o uso deste dispositivo giratório o ângulo de lixamento pode ser definido com precisão.
- A proteção (8) para a cinta lixadeira pode ser posicionada atrás do ponto mais alto da proteção da cinta em V. Deste modo a peça de trabalho pode ser segurada firmemente contra a cinta sem grandes riscos.



Para evitar que a peça de trabalho ou seus dedos sejam puxados entre a mesa de trabalho (12) e o disco de lixa (11), o espaço entre a mesa de trabalho (12) e o disco de lixa não deve exceder 1.6 mm.

A escolha da lixa

Com uma lixa grossa (P 60) geralmente pode ser removida a maior parte do material, e uma lixa fina (P 150) é utilizada para acabamento. Uma superfície irregular primeiramente deve ser tratada com uma lixa grossa e lixada até que esteja lisa. Subseqüentemente um lixa média (p 100)

é usada para remover arranhões causados pelo primeiro tipo de lixa utilizado. Uma lixa fina (P 150) é utilizada para acabamento. O lixamento deve continuar até que se obtenha uma superfície lisa.

O posicionamento da lixa

Fig. 6 - 9

Quando a lixadeira mecânica está com o disco de lixa voltado para você, a cinta lixadeira se move da direita para a esquerda ao longo da parte de cima da máquina. Por causa desta direção de movimento a peça de trabalho será pressionada contra o lado direito da proteção. Uma seta no lado interior indica da direção correta da cinta lixadeira (veja o desenho). Se não há direção indicada, a cinta lixadeira deve ser posicionada de modo que a parte elevada da junção esteja na direção de rotação da cinta. É muito importante que a cinta lixadeira esteja posicionada corretamente. A máquina utiliza cintas de lixa padrão 100 x 915 mm (no. 7).

- Remova a tomada da fonte de alimentação.
- Empurre a manopla de aperto completamente para a direita para afrouxar a tensão dos roletes de transporte (Fig.1: 14).
- Empurre a cinta lixadeira sobre os dois roletes de transporte, começando da parte traseira da máquina.
- Empurre a manopla de aperto completamente para a esquerda. Agora a cinta lixadeira deve estar completamente esticada.
- Gire o rolete de transporte exatamente para um ângulo reto com relação à direção da cinta lixadeira utilizando a porca no rolete direito. A direção de movimento da cinta está ajustada corretamente se as laterais da cinta lixadeira estão se movimentando paralelamente à placa de rolamentos.

Disco de lixa

Discos de papel ou “velcro” são utilizados para disco de lixa. O diâmetro padrão é de 150 mm. Os discos são autoadesivos.

Posicionamento vertical da cinta lixadeira

Para maior flexibilidade da cinta lixadeira, a parte inferior pode ser utilizada, pois não há placa de rolamentos. Para um fácil acesso a esta parte inferior, a cinta lixadeira pode ser posicionada em uma posição vertical:

- Solte as duas porcas na parte frontal da lixadeira mecânica, ao redor do eixo de do

rolete de transporte esquerdo utilizando uma ferramenta apropriada.

- Empurre a cinta lixadeira para cima na posição desejada.
- Aperte as duas porcas novamente.
- A peça de trabalho agora pode ser posicionada sobre o topo ao invés de estar sobre a cinta lixadeira.
- A mesa de trabalho que é utilizada para o disco de lixa agora pode ser empurrada com o eixo para dentro da abertura no corpo da máquina no lado esquerdo da lixadeira mecânica.
- Aperte o parafuso na parte traseira da máquina;
- A mesa de trabalho agora pode ser utilizada como suporte para o lixamento da peça de trabalho contra a cinta lixadeira.

4. Funcionamento



Sempre ficar frontal para a máquina, a fim de manter sempre a visão geral (Fig 1, A1+A2).

Activar/Desactivar

- Pressione a chave liga/desliga para a posição '1' para colocar sua lixadeira mecânica em funcionamento.
- Para desligar a máquina a mesma chave deve ser pressionada para a posição '0'.
- Sempre mantenha os cabos de alimentação distantes das partes moveis.
- Não há necessidade de aplicar pressão com a peça de trabalho pois isto somente diminuirá a velocidade do disco de lixa.

Operação de lixamento

A cinta lixadeira e o disco fornecidos com esta lixadeira mecânica são apropriados para o lixamento de metal, madeira ou superfícies sintéticas. A peça de trabalho deve sempre ser segurada firmemente durante o lixamento. Não há necessidade de pressão extra, guie a peça de trabalho para cima e para baixo sobre a cinta lixadeira para evitar que a cinta lixadeira e o disco se desgatem em uma só posição. Objetos redondos podem ser lixados nas pontas da cinta lixadeira. Peças de trabalho que são mais longas que a lixadeira mecânica podem ser lixadas removendo a proteção.

NB: Para evitar lascamento, a madeira sempre

deve ser lixada no sentido logitudinal do veio.

Para lixar uma superfície muito macia, há um método muito favorável para 'trazer as particulas para a superfície'. Isto é feito da seguinte maneira: umedeça a superfície quase lixada com um pano ou esponja e deixe secar bem. Algumas fibras de madeira se estufam mais que as outras, oque levará a uma superfície mais áspera que antes. Agora as particulas são lixadas com uma lixa fina e o resultado é uma superfície extremamente lisa. Este método não deve ser aplicado em madeira polida, pois o polimento pode se perder por causa da umidade.

5. Serviço e manutenção



Durante a manutenção e limpeza da máquina desligue a tomada da fonte de alimentação.

Mau funcionamento

Abaixo nós temos uma lista de possíveis causas e soluções correspondentes no caso de a máquina não funcionar corretamente:

O motor elétrico esquenta.

- As aberturas de ventilação do motor estão obstruídas com sujeira.
 - *Limpe as aberturas de ventilação.*
- O motor está com defeito.
 - *Leve a sua lixadeira mecânica ao seu representante Ferm local para reparos ou verificação.*

A máquina conectada não funciona.

- Interrompa a conexão de alimentação.
 - *Verifique se não há rupturas na conexão. Leve a sua lixadeira mecânica ao seu representante Ferm local para reparos ou verificação.*



A manutenção periodica da cinta lixadeira vai evitar problemas desnecessários!

Limpeza

Nunca utilize água ou outros líquidos agressivos para limpar a máquina. Limpe a máquina escovando-a com uma escova. Mantenha as aberturas de ventilação da máquina limpas para evitar superaquecimento do motor.

Lubrificação

Não há necessidade de lubrificar os roletes de transporte da máquina.

Falhas

Se ocorrer alguma falha, por exemplo, devido a desgaste duma peça, contacte o endereço de assistência indicado no cartão de garantia. No fim deste manual encontra um diagrama de componentes alargado com as peças que podem ser encomendadas.

Proteção do meio ambiente

Com vista a evitar quaisquer danos de transporte, a máquina é fornecida numa embalagem resistente, fabricada na medida do possível em materiais recicláveis. Entregue, portanto, a embalagem para reciclagem.



Os aparelhos eléctricos ou electrónicos avariados e/ou eliminados têm de ser recolhidos nos pontos de reciclagem adequados.

Apenas para os países da CE

Não coloque as ferramentas eléctricas no lixo doméstico. Em conformidade com a directriz europeia 2012/19/EU relativa a resíduos de equipamentos eléctricos e electrónicos e respectiva implementação na legislação nacional, as ferramentas eléctricas não utilizáveis devem ser recolhidas separadamente e eliminadas de um modo ecologicamente seguro.

Garantia

Os termos e condições da garantia encontram-se descritos no boletim da garantia fornecido em separado.

O produto e o manual do utilizador estão sujeitos a alterações. As especificações podem ser alteradas sem aviso prévio.

SMERIGLIATRICE DA BANCO 375W

Grazie per aver acquistato questo prodotto Ferm.

Con il suo acquisto è entrato in possesso di un prodotto eccellente, offerto da uno dei distributori leader in Europa.

Tutti i prodotti di Ferm sono fabbricati seguendo i più elevati standard di prestazioni e sicurezza e, nell'ambito della nostra filosofia, forniamo un eccellente servizio di assistenza alla clientela accompagnato da una Garanzia completa. Ci auguriamo che troverà di suo gradimento l'utilizzo di questo prodotto per molti anni a venire.

La numerazione indicata nel seguente testo rimanda alle immagini della pagina 2-4.



Leggere attentamente le presenti istruzioni per l'uso prima di mettere in funzione l'apparecchio. Provare personalmente il funzionamento e l'impiego del trapano avvitatore. Per un funzionamento sempre perfetto, mantenere l'apparecchio come indicato nelle istruzioni. Conservare le istruzioni per l'uso e la relativa documentazione vicino all'apparecchio.

Descrizione

Questa macchina è un utensile combinato, che offre tutti i vantaggi di una Molatrice / smerigliatrice da banco sia orizzontale che verticale e quelli di una levigatrice a disco. Per la sua costruzione robusta, in ghisa ed acciaio, questa macchina è adatta per tutti i lavori di levigatura.

Indice

1. Dati dell'amacchina
2. Norma di sicurezza
3. Accessori di montaggio
4. Operazione
5. Servizi & manutenzione

1. Dati dell'amacchina

Caratteristiche tecniche

Potenza	230 V, 50 Hz
Consumo di energia	375 W
	S ₂ = 30 min*
Velocità senza carico del nastro	276 m/min
Velocità senza carico del disco	1450 /min
Dimensioni del nastro	915 x 100 mm

Dimensioni del disco	Ø 150 mm
Peso	16.5 kg
L _{pa} (pressione sonora)	79+3 dB(A)
L _{wa} (capacità acustica)	92+3 dB(A)

*S₂=tempo massimo di funzionamento a una potenza di 375 W

Livello delle vibrazioni

Il livello di emissione delle vibrazioni indicato sul retro di questo manuale di istruzioni è stato misurato in conformità a un test standardizzato stabilito dalla norma EN 60745; questo valore può essere utilizzato per mettere a confronto un l'utensile con un altro o come valutazione preliminare di esposizione alla vibrazione quando si impiega l'utensile per le applicazioni menzionate

- se si utilizza l'utensile per applicazioni diverse, oppure con accessori differenti o in scarse condizioni, il livello di esposizione potrebbe aumentare notevolmente
- i momenti in cui l'utensile è spento oppure è in funzione ma non viene effettivamente utilizzato per il lavoro, possono contribuire a ridurre il livello di esposizione

Protegersi dagli effetti della vibrazione effettuando la manutenzione dell'utensile e dei relativi accessori, mantenendo le mani calde e organizzando i metodi di lavoro

Lista di parti

Fig. 1 + 6

1. Telaio della macchina
2. Motore
3. Guida e battente parallelo
4. Leva di tensione
5. Rullo guida
6. Nastro levigatore
7. Interruttore principale
8. Guida longitudinale
9. Rullo di trasmissione
10. Disco in alluminio
11. Disco levigatore
12. Piano di lavoro
13. Scala di agnatura
14. Braccio portante

2. Norma di sicurezza

Legenda dei simboli



Segnala il rischio di lesioni personali, di morte o di danni all'apparecchio in caso di non osservanza delle istruzioni di questo manuale.



Indica il rischio di scossa elettrica.



Indossare protezioni per occhi e orecchie



Indossare una mascherina



Tenere gli spettatori a distanza



Il prodotto è conforme alle norme di sicurezza vigenti ai sensi delle direttive europee.

Speciali norme di sicurezza

- Controllare se:
 - La tensione elettrica riportata sulla Molatrice / smerigliatrice da banco sia la stessa di quella della corrente di rete.
 - Il cavo di collegamento disponga di presa di massa.
 - Il cavo di collegamento e la presa di corrente siano in buono stato; robusti, non sfilacciati o danneggiati.
- Per motivi funzionali le parti rotanti di questa macchina non sono coperte. Perciò occorre prudenza. Tenere il pezzo di lavoro ben stretto in modo che non cada dalle mani, prevenendo il rischio che le mani tocchino la superficie da levigare.
- Evitare l'uso di prolunghe troppo lunghe.

Procedura preliminare all'uso

- Mantenere il cavo di collegamento sempre lontano dalle parti mobili della macchina.
- Usare gli occhiali di sicurezza.
- Usare una maschera contro la polvere.

Norme elettriche di sicurezza

Quando utilizar máquinas eléctricas deve sempre

respeitar as normas de segurança em vigor no local, devido ao perigo de incêndio, de choques eléctricos ou ferimentos pessoais. Para além das instruções abaixo, leia também as instruções de segurança apresentadas no folheto de segurança em anexo. Guarde as instruções num lugar seguro!



Accertarsi sempre che l'alimentazione elettrica corrisponda alla tensione indicata sulla targhetta dei dati caratteristici.

Substituição de cabos ou fichas

Em caso de deterioração do cabo da corrente, este deverá ser substituído por um cabo de corrente especial, disponível a partir do fabricante ou do serviço de apoio ao cliente do fabricante. Destrua os cabos ou fichas usados imediatamente após a sua substituição por novos. É perigoso ligar a ficha de um cabo frouxo a uma tomada.

Sostituzione della spina (solo per il Regno Unito)

Se la spina tripolare stampata attaccata al cavo di alimentazione dell'elettrotensile è danneggiata e deve essere sostituita, è importante che sia correttamente demolita e sostituita con una spina fusa BS 1363/13A omologata e che si seguano le seguenti istruzioni per il collegamento dei fili elettrici. I fili all'interno del cavo di alimentazione sono colorati in base al seguente codice:

- blu neutro
- marrone sotto tensione

Poiché i colori dei fili all'interno del cavo di alimentazione potrebbero non corrispondere alle marcature colorate che identificano i terminali nella spina, procedere come segue:

- il filo blu deve essere collegato al terminale contrassegnato con la lettera N o di colore nero;
- il filo marrone deve essere collegato al terminale contrassegnato con la lettera L o di colore rosso.

Uso di prolunghe

Utilizzare soltanto prolunghe approvate ed idonee alla potenza della macchina. I nuclei devono avere una sezione minima di 1,5 mm². Se la prolunga arrotolata su di una bobina, occorre srotolarla completamente.

3. Accessori di montaggio

Installazione

Evitare l'uso di prolunghe troppo lunghe. Fare attenzione che intorno alla macchina resti sufficiente spazio libero per i pezzi di lavoro da levigare.

Montaggio

- Mettere il telaio della macchina sottosopra e applicare i quattro piedini in gomma (1) nel telaio della macchina.
- Telaio della macchina, disco in alluminio (10) e piano di lavoro (12) vengono consegnati in confezione separata.
- Fare scivolare il disco in alluminio (10) sull'asse e fissare il disco con il bullone a brugola al lato del disco (Fig.2 - 4).
- Posizionare il piano di lavoro (12) e l'asse nel telaio della macchina e fissare il piano di lavoro con il bullone nel lato del telaio della macchina. Controllare con una squadra di 90° se piano di lavoro e disco levigatore formano un angolo di 90° (Fig.5).
- Regolare eventualmente l'angolo girando la lancetta di distribuzione della scala.
- Sul piano di lavoro (12) può essere posizionata la scala di augnatura (13) che anche viene fornita separatamente. Servendosi della scala di augnatura (13) può essere regolato correttamente l'angolo di molatura.
- La guida longitudinale (8) della levigatrice a disco può essere posizionata dietro il bullone superiore dell'armadietto di protezione della cinghia. In questo modo un pezzo da lavorare può essere mantenuto fermo e fisso, contro il nastro levigatore, senza correre troppi rischi.



Per evitare che sia il pezzo di lavoro sia le dita dell'operatore possano venire a trovarsi fra piano di lavoro (12) e disco levigatore (11) la distanza massima fra piano di lavoro (12) e disco levigatore (11) deve essere 1,6 mm.

Scelta della carta abrasiva

In generale la carta a granuli grossi (grana 60) asporta la maggior parte del materiale, mentre la carta a granuli piccoli (grana 150) viene usata per l'ultima mano di rifinitura. Se la superficie è irregolare, iniziare con un carta abrasiva a granuli grossi; levigare fino a che la superficie risulti

piana. Successivamente usare una carta di grana media (grana 100) per levigare i segni lasciati dalla carta usata precedentemente. Infine servirsi della carta a granuli piccoli (grana 150) per rifinire. Levigare fino a che la superficie è completamente liscia.

Posizionamento della carta abrasiva

Fig. 6-9

Se la levigatrice con il disco levigatore è rivolta verso l'operatore, il nastro levigatore si muove da destra a sinistra lungo il lato superiore della macchina. Per la direzione di rotazione il pezzo di lavoro viene spinto contro il lato destro della guida longitudinale. La giusta direzione di rotazione del nastro levigatore è indicata al lato interno con una freccia (si veda il disegno). Se non c'è freccia, il nastro levigatore deve essere posizionato in modo che la parte rialzata della giuntura si trovi nella direzione di rotazione del nastro.

Fare quindi attenzione che il nastro levigatore sia posizionato nella maniera giusta. La macchina fa uso standard di nastri levigatori di 100 x 915 mm (No. 7).

- Staccare sempre la spina dalla presa di corrente.
- Spingere la leva tenditrice completamente a destra per eliminare la tensione dai rulli di guida (Fig.1: 14).
- Fare scivolare dalla parte posteriore della macchina il nastro levigatore sui due rulli guida.
- Spingere la leva tenditrice completamente a sinistra. Il nastro levigatore deve adesso passare con la giusta tensione sui rulli di guida.
- Con un dado a farfalla girare il rullo di guida destro fino al momento in cui esso si trova ad angolo retto (90°) rispetto alla direzione dei nastri levigatori. La direzione dei nastri è regolata correttamente quando i lati dei nastri sono paralleli alla piastra inferiore di appoggio.

Il disco levigatore

Per il disco levigatore si usano dischi in carta o in tessuto con un diametro standard di 150 mm. I dischi sono autoadesivi.

Posizionamento verticale del nastro levigatore

Per una flessibilità maggiore del nastro levigatore si può anche usare la parte inferiore del nastro perché qui non c'è una piastra di appoggio.

Per rendere facilmente accessibile questa parte inferiore posizionare il nastro levigatore verticalmente.

- Svitare i due dadi che si trovano al lato anteriore della levigatrice, intorno all'asse del rullo di guida di sinistra, servendosi di una chiave fissa.
- Girare il nastro levigatore in alto nella posizione desiderata.
- Riavvitare i due dadi.
- Adesso il pezzo di lavoro può essere messo sul piano di lavoro e non sul nastro levigatore.
- Il piano di lavoro, usato per il disco levigatore, può essere inserito al lato sinistro della levigatrice servendosi dell'asse nel foro del telaio della macchina.
- Fissare il bullone al lato posteriore della levigatrice.
- Adesso il piano di lavoro può essere usato come appoggio per levigare il pezzo di lavoro appoggiandolo al nastro levigatore.

4. Operazione



Lavorate sempre in posizione frontale rispetto all'apparecchio in modo da avere tutto sotto controllo (Fig 1, A1+A2).

Accensione/Spegnimento

- Portare l'interruttore in posizione "1" per attivare la levigatrice.
- Per disattivare la levigatrice portare lo stesso interruttore in posizione "0".
- Aver cura che il cavo di collegamento sia sempre lontano dalle parti mobili della levigatrice.
- Non esercitare pressione con il pezzo da lavorare. Ciò rallenta solo il funzionamento del nastro levigatore.

Levigare

Il nastro e il disco consegnati insieme alla levigatrice sono adatti per la lavorazione di metalli, legno o materiali sintetici. Durante la levigazione tenere ben fisso il pezzo di lavoro. Non è necessario esercitare pressione.

Muovere su e giù il pezzo di lavoro fra nastro levigatore e piastra per evitare che nastro levigatore e piastra si consumino in un unico punto. Oggetti rotondi possono essere levigati alle estremità del nastro. I pezzi di lavoro più lunghi della levigatrice stessa possono essere levigati

togliendo la guida longitudinale.

N.B. La levigatura del legno va sempre fatta nella direzione delle nervature, per evitare la formazione di schegge.

Per la lavorazione di una superficie molto delicata si può ricorrere al seguente metodo: bagnare la superficie già levigata con un panno umido o spugna e aspettare poi che si asciughi bene. Alcune fibre del legno si ingrosseranno più delle altre, ne risulterà quindi una superficie più ruvida di prima. Levigando con la carta abrasiva fine le fibre ingrossate sporgenti si otterrà una superficie molto liscia. Questo trattamento non va mai applicato su legno verniciato. La vernice infatti si può sciogliere per l'umidità.

5. Servizi & manutenzione



Prima di effettuare la manutenzione o la pulizia della levigatrice staccare sempre la spina dalla presa di corrente.

Guasti

Nel caso che la levigatrice non dovesse funzionare in modo corretto, indichiamo qui di seguito alcune delle possibili cause e le relative soluzioni.

L'elettromotore si surriscalda.

- Le aperture dell'aria nel motore sono otturate dallo sporco.
 - *Pulire le aperture dell'aria.*
- Il motore è difettoso.
 - *Rivolgersi ad un rivenditore Ferm per controllo e/o riparazione.*
-

La levigatrice è attivata ma non funziona.

- Interruzione nel collegamento elettrico.
 - *Controllare se la presa di corrente è alimentata. Ad esempio, provando con un altro apparecchio.*
 - Rivolgersi ad un rivenditore Ferm per controllo e/o riparazione.*



La manutenzione periodica della levigatrice evita problemi inutili!

Pulizia

Per la pulizia non usare mai acqua o altri liquidi. Spazzolare la levigatrice con una spazzola pulita.

Mantenere le aperture di ventilazione pulite per prevenire il surriscaldamento del motore.

Lubrificazione

I rulli di guida della macchina non devono essere lubrificati.

Riparazioni e commercianti

Se si presentano problemi a causa di, per esempio, usura di una parte della sega, si prega di contattare il servizio di assistenza all'indirizzo riportato sulla scheda di garanzia.

Ambiente

Per evitare che si danneggi durante il trasporto, la macchina è imballata in un contenitore resistente. La maggior parte dei componenti dell'imballaggio sono riciclabili. Portare tali materiali presso gli appositi centri di riciclaggio.



Strumenti elettrici e/o elettronici difettosi o usurati devono essere smaltiti in appropriate aree di riciclaggio.

Soltanto per paesi CE.

Non smaltire gli elettrodomestici nei contenitori per rifiuti domestici. Ai sensi della Direttiva 2012/19/EU del Parlamento europeo in materia di Rifiuti da apparecchiature elettriche ed elettroniche e della relativa attuazione nell'ambito della legislazione nazionale, gli elettrodomestici inutilizzabili devono essere raccolti separatamente e smaltiti in modo ecocompatibile.

Garanzia

Le condizioni di garanzia sono espone nell'apposita scheda allegata a parte. Výrobek a návod k obsluze podléhají změnám. Technické údaje je možné změnit bez předchozího upozornění.

BÄNKSLIPMASKIN 375W

*S₂= Max drifttid med en kapacitet på 375 W

Tack för att du har valt att köpa denna Ferm-produkt.

Du har nu en enastående produkt som har levererats av en av Europas ledande distributörer. Alla produkter som Ferm levererar till dig är tillverkade enligt högsta standarder för prestanda och säkerhet. Dessutom ingår det i vår filosofi att erbjuda en högklassig kundservice som backas upp av vår omfattande garanti. Vi hoppas att du får många års glädje av din nya produkt.

Siffrorna i texten nedan hänvisar till bilderna på sidorna 2-4.



Läs noga igenom denna bruksanvisning innan du börjar använda maskinen. Gör dig bekant hur den fungerar och sköts. Underhåll maskinen enligt anvisningarna så att den alltid fungerar felfritt. Bruksanvisning och tillhörande dokumentation ska förvaras i närheten av maskinen.

Beskrivning

Bandslipen är en kombinerad maskin med alla fördelar från en lodrät och en vågrät bandslip och dem från en skivslipmaskin. Genom sitt kraftiga utförande i gjutjärn och stål passar maskinen till alla slipverksamheter.

Innehåll

1. Maskininformation
2. Säkerhetsföreskrifter
3. Montering av tillbehör
4. Användning
5. Underhåll

1. Maskininformation

Tekniska data

Spänning i volt	230 V, 50 Hz
Energiförbrukning	375 W
	S ₂ = 30 min*
Bandhastighet utan laddning	276 m/min
Skivhastighet utan laddning	1450 /min
Dimensioner band	915 x 100 mm
Dimensioner skiva	Ø 150 mm
Vikt	16.5 kg
Lpa (bullernivå)	79+3 dB(A)
Lwa (ljudenerginivå)	92+3 dB(A)

Vibrationsnivå

Vibrationsemissionsvärdet som står på baksidan av den här instruktionsboken har uppmätts enligt ett standardiserat test i enlighet med EN 60745; detta värde kan användas för att jämföra vibrationen hos olika verktyg och som en ungefärlig uppskattning av hur stor vibration användaren utsätts för när verktyget används enligt det avsedda syftet

- om verktyget används på ett annat än det avsedda syftet eller med fel eller dåligt underhållna tillbehör kan detta drastiskt öka vibrationsnivån
- när verktyget stängs av eller är på men inte används, kan detta avsevärt minska vibrationsnivån

Skydda dig mot vibration genom att underhålla verktyget och dess tillbehör, hålla händerna varma och styra upp ditt arbetssätt

Maskinens delar

Fig. 1 + 6

1. Maskinram
2. Motor
3. Styr- och parallell-ånhallsplatta
4. Spännhandtag
5. Styrrulle
6. Slipband
7. Strömbrytare
8. Längdstöd
9. Drivrulle
10. Aluminiumskiva
11. Slipskiva
12. Arbetsblad
13. Geringlåda
14. Bärarm

2. Säkerhetsföreskrifter

Teckenförklaring



Anger att det föreligger risk för personskador, livsfara eller risk för skador på maskinen om instruktionerna i denna bruksanvisning inte efterlevs.



Anger risk för elektrisk stöt.



Bär ögon- och hörselskydd



Använd en skyddsmask mot damm



Förbipasserande får inte komma för nära



Produkten uppfyller gällande säkerhetsnormer i EU-direktiven.

Speciella säkerhetsföreskrifter

- Kontrollera följande:
 - *Stämmer motorns anslutningsspänning med elnä-tets.*
 - *En jordad elanslutning skall användas.*
 - *Är elsladd och stickkontakt i bra skick: starka, utan fransar eller skador.*
- Av funktionella skäl är denna utrustnings rörliga delar inte täckta. Var därför försiktig. Håll redskapet ordentligt fast, så att det inte rycks ur händerna så att de kommer i kontakt med slipytorna.
- Undvik användning av långa förlängningskablar.

När slipmaskinen tas i drift:

- Håll alltid sladden på avstånd från rörliga delar på redskapet.
- Använd skyddsglasögon.
- Använd en dammask.

Elektrisk säkerhet

Vid användning av elektriska maskiner, iaktta alltid de säkerhetsföreskrifter som gäller lokalt i samband med brandfara, fara för elektriska stötar och kroppsskada. Läs förutom nedanstående instruktioner även igenom bladet med säkerhetsföreskrifter som bifogas separat.



Kontrollera alltid om din nätspänning överensstämmer med värdet på typlattan.

Byta ut kablar eller stickkontakter

Om nätkabeln skadas, måste den bytas ut mot en speciell nätkabel som finns hos tillverkaren eller tillverkarens kundservice. Släng gamla kablar

eller stickkontakter meddetsamma efter det att du har bytt ut dem mot nya. Det är farligt att sticka in stickkontakten av en lös sladd i ett uttag.

Byte av strömkontakt (endast Storbritannien)

Om den gjutna 3-stiftskontakten som medföljer enheten skadas och behöver bytas är det viktigt att den förstörs på rätt sätt och byts mot en godkänd BS1363/13A-säkringskontakt och att följande kabeldragningsanvisningar följs. Ledningarna i strömkabeln är färgkodade enligt följande:

- blå neutral
- brun strömförande

Gör så här eftersom färgerna på ledningarna i strömkabeln kanske inte motsvarar färgmarkeringarna som identifierar terminalerna i kontakten:

- Ledningen som är blåfärgad måste anslutas till terminalen som är markerad med bokstaven N eller som är svartfärgad.
- Ledningen som är brunfärgad måste anslutas till terminalen som är markerad med bokstaven L eller som är rödfärgad.

Vid användning av förlängningskablar

Använd uteslutande en godkänd förlängningskabel som är lämplig för maskinens effekt. Ledarna måste ha en diameter på minst 1,5 mm². Om förlängningskabeln sitter på en haspel, rulla då ut den helt och hållet.

3. Montering av tillbehör

Installation

Undvik användningen av långa förlängningskablar. Var noga med tillräckligt med utrymme runt maskinen för arbetsstycken som skall slipas.

Montering

- Sätt maskinramen upp- och nedvänd och tryck in fyra gummifötter i fötterna (1) på maskinramen.
- Maskinram, aluminiumskiva (10) och arbetsblad (12) levereras i separata förpackningar.
- Skjut aluminiumskivan på axeln och sätt fast skivan med insexbulnen i sidan på skivan (Fig.2 - 4).
- Placera arbetsbladet (12) med axeln i maskinramen och sätt fast den med bulnen i

sidan på maskinramen. Kontrollera med en 90° vinkelhake på arbetsbladet och mot slipskivan om vinkeln är precis 90° (Fig.5).

- Ställ eventuellt in den vinkeln genom att vrida på visaren till gradindikatorn.
- Geringlådan (13) kan placeras på arbetsbladet (12). Den levereras också separat. Med geringlådan (13) kan man ställa in den vinkel som skall slipas helt exakt.
- Längdstöden (8) för bandslipen kan placeras bakom övre bulten till skivremmens skyddshölje. På det sättet kan ett arbetsstycke utan någon större risk hållas mot slipbandet.



För att förebygga att dina fingrar eller arbetsstycket kläms mellan arbetsblad (12) och slipskiva (11) måste avståndet dem emellan vara högst 1,6 mm.

Val av sandpapper

Grovt sandpapper (korn 60) avlägsnar i allmänhet det mesta materialet och fint sandpapper (korn 150) används till finputsningen. Om ytan är ojämn, börjar du med grovt sandpapper och slipar tills ytan blivit jämn. Därefter använder du mellangrovt sandpapper (korn 100) för att få bort slispåren som det grova sandpapperet lämnat efter sig och slutligen tar du till fint sandpapper (korn 150) för finputsningen. Fortsätt med slipningen tills ytan är jämn.

Påsättning av sandpapper

Fig. 6 - 9

Om bandslipen med slipskivan är vänd mot dig, rör sig bandet från höger till vänster över maskinens ovansida. Genom denna slipriktning kommer arbetsstycket att tryckas mot längdstödets högra sida. Rätt slipriktning för sandpapperet står angivet på innersidan med en pil (se illustration). Om det inte finns någon pil angiven, skall du placera slipbandet så att sömmens upphöjda del står i bandets slipriktning. Var noga med att slipbandet placeras på rätt sätt. Som standard har maskinen 100 x 915 mm slipband (nr 7).

- Dra ut stickkontakten ur vägguttaget.
- Tryck spännhandtaget helt åt höger för att lossa på spänningen på styrrullarna (Fig.1: 14).
- Skjut slipbandet över båda styrrullarna från maskinens baksida.
- Tryck spännhandtaget helt åt vänster.

Slipbandet skall nu sitta spänt över styrrullarna.

- Vrid med hjälp av vingmuttern på höger styrrulle denna precis vinkelrätt mot slipbandets slipriktning. Den är rätt inställd när slipbandets sidor går parallellt med underläggsplattan.

Slipskiva

Till slipskivan används sandpapper eller lapp-polerplattor med en standarddiameter på 150 mm. Slipplattorna är självhäftande.

Vå grät placering av slipband

För att få en större flexibilitet på slipbandet kan dess undersida användas, därför att där inte finns någon underläggsplatta. För att göra undersidan lätt åtkomlig kan slipbandet placeras vågrätt.

- Skruva loss de två muttrarna på slipmaskinens framsida, runt vänster styrrulleaxel, med en skiftnyckel.
- Vrid slipbandet uppåt till önskat läge.
- Dra åt de två muttrarna igen.
- Arbetsstycket kan nu vila på arbetsbordet och inte på slipbandet.
- Arbetsbladet som används till slipskivan kan nu stickas in med axeln genom hålet i maskinramen på vänster sida av slipmaskinen.
- Dra åt bulten på slipmaskinens baksida.
- Arbetsbladet kan nu användas som stöd vid slipning av arbetsstycken mot slipbandet.

4. Användning



Stå alltid mitt emot maskinen så att du behåller överblicken (Fig 1, A1+A2).

Starta/Slå av

- Kontrollera att omkopplaren står i läget "1" för att starta slipmaskinen.
- För att koppla ifrån slipen skall du trycka in samma omkopplare till läget "0".
- Håll alltid elsladden borta från rörliga delar.
- Utöva inget stort tryck mot arbetsstycket, slipbandet blir då bara långsammare.

Slipning

De slipband och slipskivor som levererats med maskinen passar till bearbetning av metall, trä eller plast. Håll ordentligt i arbetsstycket under slipningen. Utöva inget extra tryck. Flytta

arbetsstycket fram och tillbaka över slipbandet eller slipskivan för att förebygga att sandpapper eller slipskiva slipar igenom på ett ställe. Runda föremål kan slipas vid slipbandets utända. Arbetsstycket som är längre än slipmaskinen kan slipas genom att längdstöden tas bort.

Obs.: Slipa trä alltid i ådringens längdriktning för att förebygga att du får träflisor i fingrarna.

För att kunna bearbeta en mycket mjuk yta kan man använda sig av tricket med att 'ta upp kornen'. Det går till så här: Fukta den redan slipade ytan med en våt trasa eller svamp och låt den sen torka grundligt. Vissa träfibrer kommer att svälla upp mer än andra så att ytan blir strävare än vad den var. Slipa nu bort de träfibrer som sticker upp med fint sandpapper och så har du en utomordentligt slät yta. Använd inte den här metoden för förnissat trä, eftersom fernissan kan lossna genom fuktighet.

5. Service & underhåll



Vid underhåll och rengöring av bänk-/bandslipen skall alltid stickkontakten dras ut ur vägguttaget.

Avbrott

Om inte slipmaskinen fungerar som du vill, följ ner nedan ett antal möjliga orsaker med dithörande åtgärder:

Elektromotorn går varm.

- Kall-luftshålen i motorn är tilltäppta av smuts.
 - Rengör kall-luftshålen.
- Motorn har gått sönder.
 - Lämna in maskinen till din Ferm-återförsäljare för kontroll och/eller reparation.

Tillkopplad maskin fungerar inte.

- Avbrott i nätanslutningen.
 - Kontrollera nätanslutning på ledningsbrott. Lämna in maskinen till din Ferm-återförsäljare för kontroll och/eller reparation.



Regelbundet underhåll på slipmaskinen förebygger onödiga problem!

Rengöring

Använd aldrig vatten eller andra vätskor vid rengöring av maskinens elektriska delar. Håll alltid maskinens ventilationshål rena för att förebygga att motorn blir överhettad.

Smörjning

Maskinens styrrullar behöver inte smörjas.

Fel

Kontakta servicestället som anges på garantibeviset om ett fel uppstår, t.ex. på grund av en del som är nedsliten. I slutet av den här bruksanvisningen finns en sprängskiss över de delar som kan beställas.

Driftstörningar

För att undvika transportskador levereras maskinen i en så stadig förpackning som möjligt. Förpackningen har så långt det är möjligt tillverkats av återvinningsbart material. Ta därför tillvara möjligheten att återvinna förpackningen.



Skadade och/eller kasserade elektriska och elektroniska apparater ska lämnas in enligt gällande miljöregler.

Endast för EU-länder

Släng inte elverktyg i hushållsavfallet. Enligt det europeiska WEEE-direktivet 2012/19/EU för avfall från elektrisk och elektronisk utrustning och dess tillämpning nationellt ska elverktyg som inte längre kan användas samlas in separat och kasseras på ett miljövänligt sätt.

Garanti

Garantivillkoren framgår av det separat bifogade garantikortet.

Med förbehåll för ändringar i produkten och bruksanvisningen. Specifikationer kan ändras utan förvarning.

PENKKIHIOMAKONE 375W

Kiitos, että ostit tämän Ferm-tuotteen.

Niin tekemällä sinulla on nyt oivallinen tuote, jonka on toimittanut eräs Euroopan johtavista toimittajista.

Kaikki tuotteet, jotka Ferm on sinulle toimittanut, on valmistettu korkeimpien suorituskyky- ja turvallisuusnormien mukaan, ja osana filosofiaamme on järjestää oivallista asiakaspalvelua, johon kuuluu täydellinen takuumme.

Toivomme, että nautit tämän tuotteen käyttämisestä monia tulevia vuosia.

Tekstin numerot viittaavat kaavioihin sivuilla 2-4.



Lue tämä käyttöohje huolellisesti ennen laitteen käyttöönottoa. Tutustu laitteen toimintatapaan ja käyttöön. Huolla laite ohjeiden mukaisesti, jotta se toimii aina moitteettomasti. Käyttöohje ja siihen liittyvät asiakirjat on säilytettävä laitteen läheisyydessä.

Kuvaus

Tämä hiomakone on ns. yhdistelmäkone, joka yhdistää vaakatasoisen ja pystysuoran nauhakoneen sekä pyöröhiomakoneen ominaisuudet. Tukevan teräs- ja valurautarakenteen ansiosta kone soveltuu kaikkiin hiontatöihin.

Sisältö

1. Laitteen tiedot
2. Turvaohjeet
3. Varusteiden asentaminen
4. Käyttö
5. Kunnossapito

1. Laitteen tiedot

Tekniset tiedot

Jännite	230 V, 50 Hz
Tehonkulutus	375 W
	$S_2 = 30 \text{ min}^*$
Pyörimisnopeus kuormittamattomana hiomanauha	276 m/min
Pyörimisnopeus kuormittamattomana hiomapyörä	1450 /min
Hiomanauha mitat	915 x 100 mm
Hiomapyörä mitat	Ø 150 mm

Paino	16.5 kg
Lpa (äänenpainetaso)	79+3 dB(A)
Lwa (äänentehotaso)	92+3 dB(A)

* $S_2 = \text{Suurin käyttöaika } 375 \text{ W teholla}$

Tärinätaso

Tämän ohjekirjan takana mainittu tärinäsäteilytaso on mitattu standardin EN 60745 mukaisen standarditestin mukaisesti; sitä voidaan käyttää verrattaessa yhtä laitetta toiseen sekä alustavana tärinälle altistumisen arviona käytettäessä laitetta manituissa käyttötarkoituksissa

- laitteen käyttö eri käyttötarkoituksiin tai erilaisen tai huonosti ylläpidettyjen lisälaitteiden kanssa voi lisätä merkittävästi altistumistasoa
- laitteen ollessa sammuksissa tai kun se on käynnissä, mutta sillä ei tehdä työtä, altistumistaso voi olla huomattavasti pienempi

Suojaudu tärinän vaikutuksilta ylläpitämällä laite ja sen lisävarusteet, pitämällä kädet lämpiminä ja järjestämällä työmenetelmät

Osat

Kuva 1 + 6

1. Koneen runko
2. Moottori
3. Ohjain ja vaste
4. Nauhan kireyden säätövipu
5. Ohjaurusulla
6. Hiomanauha
7. Pääkytkin
8. Pituusohjain
9. Käyttötela
10. Alumiininen pyörölevy
11. Hiomapyörä
12. Työtaso
13. Kallistuksen asteikko
14. Nostokahva

2. Turvaohjeet

Symbolien selitys



Osoittaa loukkaantumisvaaran, hengenvaaran tai työkalun vaurioitumisriskin, jos tämän oppaan ohjeita ei noudateta.



Osoittaa sähköiskuvaaran.



Käytä suojalaseja ja kuulonsuojaimia.



Käytä pölynsuojainta



Älä päästä ulkopuolisia lähelle laitetta.



Tuote täyttää Euroopan direktiivien soveltuvien turvallisuusstandardien vaatimukset.

Erikoisturvaohjeet kunkone otetaan käyttöön

- Kiinnitä huomiota seuraaviin asioihin:
 - Tarkista, ovatko moottorin syöttöjännite ja verkkojännite yhteensopivia;
 - Tarkista, onko pistorasia maadoitettu;
 - Tarkista, ovatko verkkojohto ja pistoke hyvässä kunnossa.
- Tämän laitteen liikkuvia osia ei ole peitetty, koska se vähentää koneen toimivuutta. Ole siis varovainen ja pidä hiottavaa kappaletta tukevasti kiinni, jotta se ei sinkoudu käsistä. Tällöin kädet voivat joutua kosketuksiin hiomapaperin kanssa.
- Vältä käyttämästä pitkää jatkojohtoa.

Käytön aikana:

- Pidä verkkojohto aina poissa laitteen liikkuvista osista.
- Käytä suojalaseja.
- Käytä hengityksensuojainta.

Sähköturvallisuus

Sähkölaitteita käytettäessä on aina noudatettava paikallisia turvamääräyksiä tulipalon, sähköiskujen ja loukkaantumisten välttämiseksi. Lue alla olevat ohjeet ja erilliset turvaohjeet huolellisesti.



Tarkista aina, ovatko verkkojännite ja koneen tyyppikilvessä ilmoitettu jännite yhteen sopivia.

Johtojen ja pistotulppien vaihtaminen

Jos verkkojohto vahingoittuu, se on vaihdettava. Uusia, oikeanlaisia johtoja saa valmistajalta tai sen huoltopalvelusta. Hävitä vanhat johdot ja pistotulpat heti kun ne on vaihdettu uusiin.

Irrallisen pistotulpan tai johdon kytkeminen pistorasiaan on vaarallista.

Jatkojohtojen käyttö

Käytä vain virallisesti hyväksytyjä jatkojohtoja koneen teho huomioon ottaen. Johdon ytimien on oltava vähintään 1,5 mm². Käytettäessä johtokelaa koko jatkojohto on vedettävä kelalta.

Pistokkeen vaihto (koskee vain Isoa-Britanniaa)

Jos laitteeseen liitetty valettu 3-nastainen pistoke on vaurioitunut ja sen vaihto on tarpeen, se tulee hävittää oikeaoppisesti ja vaihtaa hyväksytyyn BS1363/13A sulakkeella varustettuun pistokkeeseen ja seuraavia johdotusohjeita on noudatettava. Virtajohdon johtimet on värikoodattu seuraavasti:

- sininen nollajohdin
- ruskea jänniteenalainen johdin

Koska laitteen virtajohdon johtimien värit eivät välttämättä vastaa pistokkeen liitäntöjen värimerkintöjä, toimi seuraavasti:

- Sininen johdin tulee liittää kirjaimella N tai mustalla värillä merkittyyn liitäntään.
- Ruskea johdin tulee liittää kirjaimella L tai punaisella värillä merkittyyn liitäntään.

Slå øyeblikkelig av maskinen ved:

- Uvanlig gnistring fra kullbørstene og flammer i kollektorringen.
- Feil på støpselet, nettkabelen eller ødelagte ledninger.
- Defekt bryter.
- Røyk eller lukt av svidd isoleringsmaterieill.

3. Varusteiden asentaminen

Asentaminen

Vältä käyttämästä pitkää jatkojohtoa. Varaa koneen ympärille riittävästi tilaa suurten kappaleiden hiomiseen.

Asennus

- Käännä koneen runko ylösalaisin ja työnnä 4 kumijalkaa koneen rungon jalustaan (1).
- Koneen runko, alumiininen pyörölevy (10) ja työtaso (12) ovat pakattuina erikseen.
- Työnnä alumiininen pyörölevy akselille ja lukitse levy sen sivussa olevan kuusiokolomutterin avulla (Kuva 2 - 4).
- Asenna työtaso (12) akseleineen koneen runkoon ja kiinnitä työtaso koneen rungon

sivussa olevan pultin avulla. Tarkista suorakulman avulla, onko tason ja pyörölevyn välinen kulma tasan 90° (Kuva 5).

- Tämä kulma on säädettävissä siirtämällä asteikon osoitinta.
- Kallistuksen asteikko (13), joka on toimitettu erikseen pakattuna, voidaan nyt asentaa työtasoon (12). Tämän asteikon (13) avulla säädetään hiomakulmaa.
- Pituusohjain (8) asennetaan V-hihnan suojakotelon ylimmän pultin taakse. Tämän ohjaimen avulla hiottavaa kappaletta voidaan pitää tukevasti ja turvallisesti nauhaa vasten.



Työtason (12) ja hiomapyörön (11) välinen rako saa olla enintään 1,6 mm, jotta sormet eivät voi vahingossa jäädä niiden väliin.

Hiomapaperin valinta

Karkeaa paperia (60) käytetään poistamaan materiaalin valtaosa ja hienoa paperia (150) viimeistelyyn. Jos pinta on epätasainen, aloita karkealla paperilla. Hio tämän jälkeen vähemmän karkealla paperilla (100), joka poistaa juuri syntyneet naarmut. Käytä lopuksi hienoa paperia (150) viimeistelyyn.

Hioma paperin asettaminen

Kuva 6 - 9

Hiomakoneen osoittaessa itseesi päin nauha liikkuu oikealta vasemmalle koneen yläosan yli. Näin ollen hiottava kappale työnny pituusohjaimen oikeaa sivua vasten. Nauhan oikea pyörimissuunta on merkitty suuntanuolilla nauhan sisäpintaan (ks. kuva). Jos nauhassa ei ole suuntanuolia, se on asennettava siten, että sauman korotettu osa (päältäpäin katsottaessa) osoittaa nauhan pyörimissuuntaan päin. Nauha on aina asennettava oikein. Tähän hiomakoneeseen käyvät standardin mukaiset nauhat, mitoiltaan 100x915 mm (nro 7).

- Vedä pistoke pistorasiasta.
- Työnnä kireyden säätövipu kokonaan oikealle, jotta ohjausrullat vapautuvat (Kuva.1: 14).
- Työnnä nauha koneen takaosasta rullille.
- Paina kireyden säätövipu kokonaan vasemmalle. Nauhan on nyt oltava kiristettyä rullien päällä.
- Säädä oikea ohjausrulla siipimutterilla siten, että rulla on kohtisuorassa nauhan kanssa, jolloin nauhan reuna on samansuuntainen

koneen aluslevyn kanssa.

Hiomapyörö

Hiomapyörölle voidaan asentaa standardin mukaiset itsekiinnittyvät hiomapaperit tai -kankaat, halkaisijaltaan 150 mm.

Nauhan pystysuoraan asettaminen

Konetta voi käyttää monipuolisesti, koska nauha voidaan asettaa pystysuoraan asentoon, jolloin myös sen alapuoli on käytettävissä.

- Kierrä ruuviavaimella auki molemmat mutterit, jotka sijaitsevat koneen etusivussa vasemman ohjausrullan lähellä.
- Laita nauha ylös haluttuun asentoon.
- Kiristä molemmat mutterit.
- Hiottava kappale nojaa nyt työtasoon, ei nauhaan.
- Hiomapyörön työtaso voidaan asentaa hiomakoneen vasempaan sivuun työntämällä sen akseli koneen rungossa olevaan aukkoon.
- Kiristä koneen takaosassa oleva ruuvi.
- Työtasoa voidaan nyt käyttää tukena hiomisen aikana.

4. Käyttö



Seiso aina koneen etusivulla, jotta säilytät aina koko näkyvyyden (Kuva 1, A1+A2)

Virran kytkeminen/Virran katkaiseminen

- Kone käynnistetään työntämällä pääkatkaisija "1"-asentoon.
- Kone pysähtyy, kun katkaisija työnnetään "0"-asentoon.
- Pidä sähköjohto aina poissa koneen liikkuvista osista.
- Älä paina hiottavaa kappaletta suurella voimalla nauhaa vasten. Tämä vain hidastaa nauhan nopeutta.

Hiominen

Tämän hiomakoneen kanssa toimitettu hiomanauha ja -levy soveltuvat metallin, puun ja muovin työstämiseen. Pidä hiottavaa kappaletta tukevasti kiinni. Älä käytä ylimääräistä voimaa. Liikuta työ kappaletta edestakaisin nauhan/levyn pinnan yli, jotta nauha/levy kuluu tasaisesti. Pyöreät esineet voit hioa nauhan päässä. Nauhaa pitemmät esineet voit hioa, kun poistat pituusohjaimen.

Huom: Hio puuta aina syiden pituussuunnassa, jotta ei synny tikkuja.

Vihje: Jos puupinta on erittäin pehmeä, se on hyvä kastella rätiltä tai sienellä hiomisen jälkeen ja antaa kuivua kunnolla. Kuivuessa toiset syyt nousevat enemmän esille kuin toiset, joten pinta tulee nyt ensin karkeammaksi. Jos tämän jälkeen hiotaan vielä kerran hienolla paperilla, pinta tulee erittäin sileäksi. Tätä menetelmää ei saa käyttää, jos puussa on verrisäätä, koska se voi irrota kastuessaan.

5. Kunnossapito



Ennen huollon aloittamista pistoke on aina irrotettava pistorasiasta.

Häiriöt

Nauhahiomakoneen toimintahäiriöt ja niiden mahdolliset syyt sekä korjaukset.

Sähkömoottori kuumenee liikaa.

- Moottorin jäähdytysilmanottoaukot ovat tukossa.
 - *Puhdista aukot.*
- Moottori on viallinen.
 - *Vie moottori Ferm-jälleenmyyjälle tarkistettavaksi tai korjattavaksi.*

Kone ei toimi, vaikka se on päällä.

- Virransyöttö on keskeytynyt.
 - *Tarkista johto ja pistoke. Vie moottori Ferm-jälleenmyyjälle tarkistettavaksi tai korjattavaksi.*



Määräaikaishuolto ehkäisee tarpeettomien ongelmien syntyamisen!

Puhdistus

Koneen sähköosia ei saa puhdistaa vedellä tai muilla nesteillä. Pidä moottorin jäähdytysilmanottoaukot puhtaina. Näin vältät moottorin ylikuumenemisen.

Voitelu

Ohjausrullia ei tarvitse voidella.

Puhdistaminen

Puhdista koneen ulkopinta säännöllisesti pehmeällä kankaalla. Parasta olisi puhdistaa se jokaisen käyttökerran jälkeen. Pidä koneen

jäähdytysaukot puhtaina. Jos lika on pinttynyt, voit käyttää saippuavedellä kostutettua kangaspalaa. Älä kuitenkaan käytä liuottimia kuten bensiiniä, alkoholia, ammoniakkaa jne, koska ne vahingoittavat koneen muoviosia.

Viat

Jos kone vikaantuu esimerkiksi osan kulumisen johdosta, ota yhteys takuukortin huoltopisteeseen. Tämän käyttöoppaan takasivulla on hajotuskuva, jossa on lueteltu tilattavissa olevat osat.

Ympäristö

Kuljetusvaurioiden välttämiseksi kone on pakattu tukevaan laatikkoon. Tämä pakkaus on mahdollisimman ympäristöystävällinen. Kierrätä se.



Vioittuneet tai käytöstä poistettavat sähkölaitteet on toimitettava asianmukaiseen kierrätyspisteeseen.

Vain EC-maille

Älä hävitä sähkölaitteita kotitalousjätteen mukana. Sähkö- ja elektroniikkaromua koskevan EU-standardin 2012/19/EU ja vastaavien paikallisten lakien mukaisesti käytetyt sähkölaitteet on hävitettävä erilliskeräyksessä ympäristöystävällisesti.

Takuu

Lue takuehdot koneen mukaan liitetystä takuukortista.

Tuotteeseen ja käyttöoppaaseen voidaan tehdä muutoksia. Teknisiä tietoja voidaan muuttaa ilmoituksetta.

BENKPUSSEMASKIN 375W

Takk for at du har kjøpt dette produktet fra Ferm.

Du har nå et fremragende produkt fra en av Europas ledende leverandører.

Alle produkter fra Ferm produserer i samsvar med de høyeste standarder for ytelse og sikkerhet. Som en del av vår filosofi yter vi fremragende kundeservice og gir en omfattende garanti. Vi håper du vil ha glede av dette produktet i mange år.

Tallene i teksten henviser til diagrammene på side 2-4.



Les bruksanvisningen nøye før du tar maskinen i bruk. Gjør deg kjent med hvordan redskapen fungerer og hvordan den skal brukes. Vedlikehold maskinen som angitt i instruksene, slik at den alltid fungerer knirkfritt. Bruksanvisning og tilhørende dokumentasjon skal oppbevares i nærheten av maskinen.

Beskrivelse

Slipemaskinen er en kombinert maskin med alle fordeler både av en horisontal og vertikal benkeslipemaskin/pussemaskin og en roterende slipemaskin. På grunn av den robuste utførelsen i støpejern og stål er denne maskinen egnet til all slags sliping.

Innhold

1. Maskinformasjon
2. Sikkerhetsforskrifter
3. Montering og tilbehør
4. Betjening
5. Service og vedlikehold

1. Techniske spesifikasjoner

Maskindata

Spenning	230 V, 50 Hz
Strømforbruk	375 W
	$S_2 = 30 \text{ min}^*$
Turtall båndet ubelastet	276 m/min
Turtall skive ubelastet	1450 /min
Dimensjoner båndet	915 x 100 mm
Dimensjoner skive	Ø 150 mm
Vekt	16.5 kg
Lpa (lydtrykk)	79+3 dB(A)
Lwa (lydeffekt)	92+3 dB(A)

* $S_2 =$ Lengste driftsperiode med kapasitet på 375 W

Vibrasjonsnivå

Det avgitte vibrasjonsnivået som er angitt bak i denne bruksanvisningen er blitt målt i samsvar med en standardisert test som er angitt i EN 60745; den kan brukes til å sammenligne et verktøy med et annet, og som et foreløpig overslag over eksponering for vibrasjoner ved bruk av verktøyet til de oppgavene som er nevnt

- bruk av verktøyet til andre oppgaver, eller med annet eller mangelfullt vedlikeholdt utstyr, kan gi en vesentlig økning av eksponeringsnivået
- tidsrommene når verktøyet er avslått eller når det går men ikke arbeider, kan gi en vesentlig reduksjon av eksponeringsnivået

Beskytt deg selv mot virkningene av vibrasjoner ved å vedlikeholde verktøyet og utstyret, holde hendene varme og organisere arbeidsmåten din

Beskrivelse av maskinen

Fig. 1 + 6

1. Chassis
2. Motor
3. Førings- og parallelstiller
4. Spennhåndtak
5. Føringsrulle
6. Slipebånd
7. På/av-bryter
8. Sidestiller
9. Drivrulle
10. Aluminiumskive
11. Slipeskive
12. Arbeidsbord
13. Gradskala
14. Bærearmer

2. Sikkerhetsforskrifter

Symbolforklaring



Betegnelse for risiko for personskader, beskadigelse av værktøyet i tilfælde af at du er uopmærksom på instruksjoner i denne manual.



Indikerer farer for elektrisk stød



Bruk vernebriller og hørselsvern



Bruk støvmaske



Hold andre personer på avstand



Produktet er i overensstemmelse med gjeldende sikkerhetsstandarder i de europeiske direktivene.

Spesielle sikkerhetsforskrifter

- Kontroller følgende:
 - *Stemmer slipemaskinens spenning med nettspenningen?*
 - *Blir det brukt en jordet strømtilførsel?*
 - *Er ledningen og støpslet i god stand: solid, uten slitasje eller skader?*
- Av praktiske grunner har de roterende deler av dette redskapet ikke vernedeksel. Vær derfor forsiktig. Hold arbeidsstykket godt fast slik at det ikke glipper ut av hendene dine og disse kommer i berøring med slipeflatene.
- Unngå bruk av lange skjøteledninger.

Ved igangsettelse av maskinen:

- Hold alltid ledningen bort fra de bevegelige deler av redskapet.
- Bruk en vernebrille.
- Bruk en støvmaske.

Elektrisk sikkerhet

Overhold ved bruk av elektriske maskiner alltid de lokale sikkerhetsforskriftene. Dette for å unngå brannfare, fare for elektrisk støt og personskade. Les i tillegg til nedenstående instruksjoner også sikkerhetsforskriftene i det vedlagte separate sikkerhetsheftet.



Kontroller alltid om nettspenningen er i overensstemmelse med verdien på typeskiltet.

Skifting av ledninger eller støpsler

Hvis ledningen er skadet, må den erstattes met en spesiell ledning som leveres av fabrikanten eller fabrikantens kundeservice. Kast gamle ledninger eller støpsler med det samme de er skiftet ut

med nye. Det er farlig å sette et støpsel med løs ledning i stikkkontakten.

Bytte av nettstøpsel (kun Storbritannia)

Hvis det formstøpte støpselet med 3 pinner som er festet til enheten er skadet og trenger bytte, er det viktig at den blir ødelagt på riktig måte og byttet med et godkjent støpsel med innsett BS1363/13A-sikring og at de følgende ledningsinstruksjonene følges. Ledningene i nettkabelen er farget etter den følgende koden:

- blå nøytral
- brun strømførende

Siden fargene til ledningene i nettkabelen til enheten muligens ikke matcher fargemerkingen som identifiserer terminalene i støpselet, fortsetter du som følger:

- Ledningen som er farget blått må kobles til terminalen som er markert med bokstaven N eller farget svart.
- Ledningen som er farget brunt må kobles til terminalen som er markert med bokstaven L eller farget rødt.

Bruk av skjøteledninger

Bruk utelukkende en godkjent skjøteledning som er egnet til maskinens effekt. Ledningene må ha et tverrsnitt på minst 1,5 mm². Hvis skjøteledningen sitter på en rull, må den rulles helt ut.

3. Montering og tilbehør

Oppstilling

Unngå bruk av lange skjøteledninger. Pass på at det er tilstrekkelig plass rundt maskinen til de arbeidsstykkene som skal slipes.

Montering

- Sett chassiset opp/ned og trykk de fire gummiføttene i foten (1) på chassiset.
- Chassis, aluminiumskive (10) og arbeidsbord (12) blir levert pakket for seg.
- Skyv aluminiumskiven på akselen og sett skiven fast med Allenskruen til sidekanten av skiven (Fig.2 - 4).
- Sett arbeidsbordet (12) med akselen inn i chassis og sett arbeidsbordet fast med hjelp av skruen i sidekanten av chassis. Kontroller med en vinkel på arbeidsbordet og mot slipeskiven om vinkelen er nøyaktig 90° (Fig.5).
- Juster denne vinkelen eventuelt ved å dreie på

den lille viseren på skalaen.

- På arbeidsbordet (12) kan gradskalaen (13) plasseres, som også leveres løs i tillegg. Med hjelp av denne gradskalaen (13) kan slipevinkelen stilles nøyaktig inn.
- Sidestilleren (8) for benkeslipemaskin/ pussemaskinen kan monteres bak den øverste skruen på kileremmens verne deksel. På denne måten kan arbeidsstykket holdes godt fast mot slipebåndet og uten store farer.



For å unngå at arbeidsstykket eller fingrene dine kommer mellom arbeidsbordet (12) og slipeskiven (11), må avstanden mellom arbeidsbordet (12) og slipeskiven (11) være høyst 1,6 mm.

Valg av slipepapir

Grovt slipepapir (korn 60) fjerner i alminnelighet det meste av materialet og fint slipepapir (korn 150) blir brukt til finpussingen. Hvis overflaten er ujevn, begynner du med grovt slipepapir og sliper til flaten er jevn. Deretter bruker du medium grovt slipepapir (korn 100) for å fjerne ripene som det første slipepapiret har etterlatt. Til slutt tar du fint slipepapir (korn 150) til finpussing. Forsett å slippe til overflaten er glatt.

Montering av slipepapir

Fig. 6 - 9

Når slipemaskinen står med slipeskiven vendt mot deg, beveger slipebåndet seg fra høyre til venstre over den øverste delen av maskinen. Med denne dreieretningen vil arbeidsstykket bli trykket mot høyre side av sidestilleren. Den riktige bevegelsesretningen av slipebåndet står angitt med en pil på innsiden (se tegning). Hvis det ikke står en pil, må slipebåndet plasseres slik at den forhøyde delen av skjøten står i dreieretningen til båndet. Pass på at slipebåndet plasseres på riktig måte. Det må brukes standard 100 x 915 mm slipebånd til maskinen (nr. 7).

- Trekk støpslet ut av stikkkontakten (veggkontakten).
- Trykk spennhåndtaket helt til høyre for å fjerne spenningen på føringsrullene (Fig. 1: 14).
- Skyv slipebåndet over begge føringsrullene fra baksiden av maskinen.
- Trykk spennhåndtaket helt til venstre. Slipebåndet må nå ligge stramt over føringsrullene.
- Drei føringsrullen nøyaktig vinkelrett på

slipebåndets løp med hjelp av vingemutteren på høyre føringsrulle. Båndets løp er riktig justert når sidekantene av slipebåndet er parallelle med underlagsplaten.

Slipeskiven

Til slipeskiven brukes papir- eller tekstilskiver med en standard diameter på 150 mm. Slipeskivene er selvklebende.

Vertikal montering av slipebåndet

For å få en større fleksibilitet på slipebåndet, kan underkanten av slipebåndet brukes da det ikke er noen underlagsplate her. For å gjøre denne underkanten lett tilgjengelig, kan slipebåndet monteres vertikalt.

- Drei løs de to mutterne på forkanten av slipemaskinen, rundt den venstre føringsrulleakselen med hjelp av en fastnøkkel.
- Drei slipebåndet oppover i den ønskede stillingen.
- Drei de to mutterne fast igjen.
- Arbeidsstykket kan nå hvile på arbeidsbenken og ikke på slipebåndet.
- Arbeidsbordet som brukes til slipeskiven kan nå stikkes inn på den venstre siden av slipemaskinen med hjelp av akselen i hullet til chassiset.
- Drei skruen fast på baksiden av slipemaskinen.
- Arbeidsbordet kan nå brukes som støtte under sliping av et arbeidsstykke mot slipebåndet.

4. Betjening



Stå alltid frontal til maskinen for alltid at behol-de overblikket (Fig 1, A1+A2).

Slå på/Slå av

- Sett bryteren i stilling "1" for å sette i gang slipemaskinen.
- For å skru av må du sette den samme bryteren i stilling "0".
- Hold alltid ledningen bort fra bevegelige deler.
- Trykk ikke for mye på arbeidsstykket, det bremser bare slipebåndet.

Slipingen

Slipebåndet og slipeskiven som leveres med denne slipemaskinen, egner seg til bearbeiding av metall, tre og kunststoff. Hold arbeidsstykket

godt fast under slipingen. Ikke trykk ekstra. Beveg arbeidsstykket fram og tilbake over slipebåndet og slipeskiven for å unngå at slipebåndet og slipeskiven slites på ett sted. Runde gjenstander kan slipes på de ytterste endene av slipebåndet (se figur 3). Arbeidsstykker som er lengre enn slipemaskinen kan slipes ved å fjerne sidestilleren.

OBS: Slip alltid treverk med veden for å unngå flising.

For å bearbeide en svært myk overflate kan man bruke knepet til å løfte fibrene. Gjør det slik: Fukt overflaten som allerede er slipt, med en fuktig klut eller svamp og la den tørke godt. Noen treceller vil komme til å svulle mer enn andre, slik at overflaten til slutt blir ujevne enn før. Slip nå bort de framspringende delene med fint slipepapir og du vil få en særdeles glatt overflate. Bruk imidlertid ikke denne metoden på fennissert tre. Fennissen kan løsne av fuktigheten.

5. Service og vedlikehold



Ved vedlikehold og rengjøring må du alltid trekke støpslet ut av stikkkontakten (veggkontakten).

Funksjonsfeil

I tilfelle av at slipemaskinen ikke virker som den skal, gir vi her noen mulige årsaker og de tilsvarende løsninger:

Elektromotoren blir svært varm.

- Kjøleluftåpningene i motoren er tettet igjen med smuss.
 - Rengjør kjøleluftåpningene.
- Motoren er defekt.
 - Benkeslipemaskin/ pussemaskinen inn til kontroll og/eller reparasjon hos din Ferm-leverandør.

Den innkoblede maskinen virker ikke.

- Feil i strømtilførselen.
 - Kontroller om det er brudd på strømtilførselen. Lever benkeslipemaskin/pussemaskinen inn til kontroll og/eller reparasjon hos din Ferm-leverandør.



Periodisk vedlikehold av Slipemaskinen forbygger unødige problemer!

Rengjøring

Bruk aldri vann eller andre væsker til rengjøring av de elektriske deler av slipemaskinen. Hold ventilasjonsåpningene på maskinen rene for å forebygge overoppheting av motoren.

Smøring

Føringsrullene på maskinen trenger ikke å smøres.

Feil

Hvis det oppstår feil som følge av for eksempel utslitte deler, skal du kontakte serviceadressen på garantikortet. Bakerst i denne bruksanvisningen finner du en splittegning som viser deler som kan bestilles.

Miljø

For å unngå transportskader leveres maskinen i solid emballasje. Emballasjen er i den grad dette er mulig fremstilt av resirkulerbart materiale. Benytt derfor anledningen til å resirkulere emballasjen.



Defekte og/eller kasserte elektriske eller elektroniske apparater må avhendes ved egnete returpunkter.

Gjelder kun i EU-landene.

Elektriske verktøy må ikke kastes sammen med husholdningsavfall. I henhold til EU-direktiv 2012/19/EU for elektrisk og elektronisk avfall, samt implementering av direktivet i nasjonal lovgivning, skal elektriske verktøy som ikke lenger kan brukes kastes separat og på en miljøvennlig måte.

Garanti

Garantibetingelsene gjengis på garantikortet bakerst i bruksanvisningen.

Dette produktet og brukerhåndboken kan bli endret. Spesifikasjoner kan endres uten forvarsel.

SANDBLÆSNINGSBÆNK 375W

Tak for, at du har købt dette Ferm produkt.

Ved at gøre dette står du nu med et fantastisk produkt, leveret af en af Europas førende leverandører.

Alle de produkter, som leveres til dig af Ferm, er fremstillet i overensstemmelse med de højeste standarder inden for præstation og sikkerhed. Som en del af vores filosofi tilbyder vi en fremragende kundeservice, som bakked op af vores omfattende garanti.

Vi håber, at du vil bruge dette produkt med glæde i mange år fremover.

Numrene i den nedenstående tekst henviser til illustrationerne på side 2-4.



Læs denne brugsanvisning nøje igennem, før maskinen tages i brug. Gør dig fortrolig med funktionerne og betjeningen. Maskinen skal vedligeholdes i overensstemmelse med anvisninger, så maskinen altid fungerer problemfrit. Brugsanvisningen og dertilhørende dokumentation skal opbevares i nærheden af maskinen.

Beskrivelse

Slibemaskinen er en kombineret maskine som har alle fordelene af både en vandret og en lodret Bænksliber / pudserog en skiveslibemaskine. Med en robust udførelse i støbejern og stål er denne maskine egnet til al slags slibning.

Indhold

1. Maskindata
2. Sikkerhedsforskrifter
3. Montering af tilbehør
4. Funktion
5. Service & vedligeholdelse

1. Tekniske specifikationer

Maskindata

Spænding	230 V, 50 Hz
Effektforbrug	375 W
	$S_2 = 30 \text{ min}^*$
Båndhastighed ubelastet	276 m/min
Skivehastighed ubelastet	1450 /min
Bånd dimensioner	915 x 100 mm
Skive dimensioner	Ø 150 mm
Vægt	16.5 kg

Lpa (Lydtrykniveau)	79+3 dB(A)
Lwa (lydintensitet)	92+3 dB(A)

* S_2 = Maksimum driftsperiode med en kapacitet på 375 W

Vibrationsniveau

Det vibrationsniveau, der er anført bag på denne betjeningsvejledning er målt i henhold til den standardiserede test som anført i EN 60745; den kan benyttes til at sammenligne to stykker værktøj og som en foreløbig bedømmelse af udsættelsen for vibrationer, når værktøjet anvendes til de nævnte formål.

- anvendes værktøjet til andre formål eller med andet eller dårligt vedligeholdt tilbehør, kan dette øge udsættelsesniveauet betydeligt.
- de tidsrum, hvor værktøjet er slukket, eller hvor det kræver uden reelt at udføre noget arbejde, kan reducere udsættelsesniveauet betydeligt.

Beskyt dig selv imod virkningerne af vibrationer ved at vedligeholde værktøjet og dets tilbehør, ved at holde dine hænder varme og ved at organisere dine arbejdsmønstre.

Produktinformation

Fig.1 + 6

1. Maskineramme
2. Motor
3. Leder- og parallelanslag
4. Spændepind
5. Lederulle
6. Slibebånd
7. Hovedkontakt
8. Ledeskinne
9. Drivrulle
10. Aluminium skive
11. Slibeskive
12. Arbejdsflade
13. Geringskala
14. Støttearm

2. Sikkerhedsforskrifter

Symbolforklaring



Betegnelse for risiko for personskader, dødsfald eller beskadigelse af værktøjet i tilfælde af at du er uopmærksom på instruktioner i denne manual.



Indikerer farer for elektrisk stød



Bruk vernebriller og hørselsvern



Skal man bære støvmaske



Hold andre personer på afstand



Produktet er i overensstemmelse med de gældende sikkerhedsstandarder i EU-direktiverne.

Specielle sikkerhedsforskrifter

- Kontrolér følgende:
 - Om maskinens tilslutningsspænding svarer til netspændingen.
 - Om elforsyningen er jordet.
 - Om netledningen og stikket er i korrekt stand: solid, uden slitage eller skade.
- Af funktionelle grunde er apparatets drejende dele ikke tildækkede. Vær derfor meget forsigtig. Hold objektet godt fast, således at det ikke kan falde ned og der ikke kan opstå kontakt mellem hud og slibefladerne.
- Undgå brug af lange forlængelsesledninger.

Ved idriftssættelse af maskinen:

- Hold altid netledningen langt væk fra apparatets bevægende dele.
- Brug beskyttelsesbriller.
- Brug støvmaske.

Elektrisk sikkerhed

Ved anvendelse af elektriske maskiner skal man altid følge de lokalt gældende sikkerhedsforskrifter i forbindelse med brandfare, fare for elektrisk stød og legemensbeskadigelse. Læs udover de nedenstående instruktioner også sikkerhedsforskrifterne i den separat vedlagte sikkerhedsfolder.



Kontroller altid om netspændingen svarer til værdien på typeskiltet.

Udskiftning af ledninger eller stik

Hvis netledningen er blevet beskadiget, skal den udskiftes med en speciel netledning, som kan fås via fabrikanten eller fabrikantens kundeservice.

Gamle ledninger og stik skal kasseres, når de er blevet udskiftet med nye. Det er farligt at sætte stikket på en løs ledning i en stikkontakt.

Udskiftning af netstik (kun i Storbritannien)

Hvis det formstøbte 3-bens stik, der er fastgjort til enheden, bliver beskadiget og skal udskiftes, er det vigtigt, at det destrueres korrekt og udskiftes med et godkendt BS1363/13A stik med sikring, samt at følgende ledningsanvisninger følges. Ledningerne i netkablet er farvet i overensstemmelse med følgende kode:

- blå neutral
- brun strømførende

Da ledningsfarverne i enhedens netkabel muligvis ikke stemmer overens med de farvede mærkninger, der identificerer terminalerne i stikket, bedes du gøre følgende:

- Ledningen med den blå farve skal sluttes til den terminal, der er mærket med bogstavet N eller er farvet sort.
- Ledningen med den brune farve skal sluttes til den terminal, der er mærket med bogstavet L eller farvet rød.

Ved brug af forlængerledninger

Brug udelukkende godkendte forlængerledninger, der er beregnede til maskinens effekt. Lederne skal have et gennemsnit på mindst 1.5 mm². Hvis forlængerledningen sidder på en tromle, rulles ledningen helt af.

Maskinen skal øjeblikkeligt slukkes i til fælde af:

- Defekt netstik, netledning eller beskadigelse af ledning.
- Defekt kontakt.
- Gnistdannelse i kullene eller ringild i kollektoren.
- Røg eller lugt fra sveden isolering.

3. Montering af tilbehør

Installation

Undgå brug af lange forlængelsesledninger. Sørg for at der er nok plads omkring maskinen til de objekter der skal slibes.

Montering

- Vend maskinerammen om og tryk de fire gummidupper ind i maskinerammens fod (1).
- Maskineramme, aluminium skive (10) og arbejdsflade (12) følger med separat.

- Skub aluminium skiven på akslen og fæstn skiven ved hjælp af en sekskantet bolt i skivens side (Fig.5).
- Placer arbejdsfladen (12) med akslen i maskinerammen og sæt arbejdsfladen fast ved hjælp af boltene i maskinerammens side. Kontrolér ved hjælp af en ansatsvinkel der er placeret på arbejdsfladen og mod slibeskiven om vinklen er nøjagtig 90° (Fig.5).
- Vinklen kan ændres ved at indstille den lille viser på skalainddelingen.
- Geringskalaen, som også følger med separat, kan monteres på arbejdsfladen (12). Slibevinklen kan justeres ved hjælp af denne skala (13).
- Ledeskinnen (8) til bænksliber /pudser kan monteres bagved den øverste bolt på drivremmens kasse. Således kan man med et solidt greb holde et objekt mod slibebåndet uden at det opstår fare.



For at undgå at objektet eller fingeren kommer i klemme mellem arbejdsfladen (12) og slibeskiven (11), må afstanden mellem arbejdsfladen (12) og slibeskiven (11) ikke overskride 1,6 mm.

Valg af slibepapir

Groft slibepapir (korn 60) fjerner i reglen det meste, fint slibepapir (korn 150) bruges til finish. Hvis overfladen er ujævn, skal der anvendes groft slibepapir indtil overfladen er jævn. Derefter bruges der middelgroft slibepapir (korn 100) for at fjerne ridserne som det første slibepapir har efterladt. Til slut skal der bruges fint slibepapir (korn 150) til finish. Fortsæt slibningen til overfladen er fuldstændig glat.

Påsætning af slibepapir

Fig. 6 - 9

Når du vender slibemaskinen med slibeskiven henimod dig selv, bevæger slibebåndet sig fra højre til venstre over maskinens overside. På grund af drejeretningen vil objektet blive presset hen mod ledeskinnens højre side. Slibebåndets korrekte drejeretning er angivet på indersiden ved hjælp af en pil (se tegning). Hvis dette ikke er tilfældet, skal slibebåndet monteres således at den ophøjede del af sammenføjnningen står i båndets drejeretning. Sørg for at slibebåndet monteres korrekt. Maskinen bruger standard 100 x 915 mm slibebånd (nr. 7).

- Træk stikket ud af stikkontaktet (stikdåsen).
- Tryk spændepinden helt til højre så at der ikke er spænding på lederullerne (Fig. 1: 14).
- Skub fra maskinens bagside slibebåndet hen over begge lederuller.
- Tryk spændepinden helt til venstre. Slibebåndet skal nu føres stramt hen over rullerne.
- Drej ved hjælp af en vingemøtrik i højre rulle lederullen vinkelret over slibebåndets bane. Banen er indstillet korrekt hvis slibebåndets sider er parallelle med underlagspladen.

Slibeskiven

På slibeskiven anvendes der papir- eller tekstilplader med en standard diameter på 150 mm. Slibepladerne er selvkøbende.

Lodret montering af slibebåndet

For at opnå en større fleksibilitet kan slibebåndets underside anvendes fordi der ikke befinder sig en underlagsplade her. Tilgængeligheden forøges ved at montere slibebåndet lodret.

- Løsn begge møtrikker på slibemaskinens forside omkring den venstre lederulleaksel ved hjælp af en skruenøgle.
- Drej slibebåndet opad i den rette stilling.
- Spænd møtrikkerne fast igen.
- Objektet kan nu lægges på arbejdsbænken, ikke på slibebåndet.
- Arbejdsfladen der bruges til slibeskiven kan, i slibemaskinens venstre side, ved hjælp af akslen stikkes ned i maskinerammens hul.
- Fæstn boltene bagpå slibemaskinen.
- Arbejdsfladen kan bruges som understøttelse når et objekt skal slibes mod slibebåndet.

4. Funktion



Stå altid frontal til maskinen for altid at beholde overblikket (Fig 1, A1+A2).

Tænd/Sluk

- Sæt kontakten i stilling '1' for at tænde for slibemaskinen.
- For at sætte maskinen ud af drift skal samme kontakt stilles på '0'.
- Hold altid netledningen langt væk fra apparatets bevægende dele.
- Der må aldrig udøves stor tryk på objektet, derved sagtner slibebåndets fart.

Slibningen

Medfølgende slibebånd og -plade er egnede til bearbejdelse af metal, træ eller kunststof. Hold objektet godt fast under slibningen. Der må heller ikke udøves ekstra tryk. Bevæg objektet frem og tilbage over slibebåndet og -pladen for at undgå slitage på den ene side af slibebåndet og -pladen. Runde objekter kan slibes på slibebåndets modsatte sider (se Fig. 3). Objekter der er længere end slibemaskinen kan slibes ved at fjerne ledeskinnen.

Bemærk: træ skal altid slibes i årens længderetning for at modgå splinter.

En meget blød overflade kan bearbejdes som følgende. Gør en allerede slebet overflade våd med en fugtig klud eller svamp og lad den tørre grundigt. Nogle træfibre vil svulme lidt mere op end andre. Fladen er nu mere ujævn. Slib nu med fint slibepapir henover de udstikkende dele og du vil være overrasket over den glatte flade. Denne metode må ikke anvendes på ferneriset træ. Ferniseringen kan gå af på grund af fugtighed.

5. Service og vedlikehold



Sørg for at maskinen er spenningsløs når det skal udføres vedlikeholdsarbejde på de mekaniske delene.

Maskinene fra Ferm er konstrueret slik at de kan fungere uten problemer med et minimum av vedlikehold.

Hvis maskinen rengjøres regelmessig og behandles på riktig måte, bidrar dette til å gi maskinen en lang levetid.

Driftforstyrrelser

Hvis der opstår en fejl i slibemaskinen, gennemgås punkterne i nedenstående liste med mulige årsager og løsninger.

Stor varmeudvikling elektromotor.

- Motorens køleluftsender er tilstoppede med snavs.
 - *Rens køleluftsenderne.*
- Motoren er defekt.
 - *Bring båndsliberen til eftersyn og/eller reparation hos Ferm forhandleren.*
-

Tændte maskine fungerer ikke.

- Fejl i strømforsyningen.

- *Kontrolér om der er brud. Bring båndsliberen til eftersyn og/eller reparation hos Ferm forhandleren.*



Unødvendige problemer undgås ved regelmæssig vedligeholdelse!

Rengøring

Benyt aldrig vand eller andre væsker ved rengøring af slibemaskinens elektriske dele. Hold ventileringsrenderne rent for at undgå overophedning af motoren.

Smøring

Maskinens lederuller behøves ikke at smøres.

Fejl

Skulle en fejl opstå, f.eks. pga. slidtage af en enhed, kontakt venligst serviceadressen på garantibeviset. På bagsiden af denne manual finder du en tegning med alle dele, der kan bestilles.

Miljø

For at undgå transportbeskadigelse leveres maskinen i en solid emballage. Emballagen er så vidt muligt lavet af genbrugsmateriale. Genbrug derfor emballagen.



Defekte og/eller kasserede elektriske eller elektroniske maskiner skal afleveres på en genbrugsplads.

Kun for EU-lande

Smid ikke el-værktøjer ud sammen med almindeligt affald. I henhold til de europæiske direktiver 2012/19/EU for elektrisk og elektronisk udstyr og er implementeret i henhold til nationale rettigheder, el-værktøj som ikke længere er anvendelig skal indsamles separat og genbruges på en miljøvenlig måde.

Garanti

Garantibetingelserne findes på garantibeviset bag i denne brugsanvisning.

Produktet og brugermanualen kan ændres. Specifikationerne kan ændres uden forudgående varsel.

ASZTALI CSISZOLÓGÉP 375W

Lpa (hangnyomás)	79+3 dB(A)
Lwa (hangteljesítmény)	92+3 dB(A)

Köszönjük, hogy a Ferm Vállalat termékét választotta.

Egy kiváló európai forgalmazó nagyszerű termékének birtokába jutott.

A Ferm által forgalmazott összes termék a legszigorúbb teljesítményeknek megfelelő biztonsági szabvány szerint készül. Üzleti filozófiánk része alapuló teljes körű minőségi ügyfélszolgálat.

Reméljük, hogy termékünket hosszú éveken át nagy megelégedettséggel fogja használni.

A szövegben levő számok a 2-4. oldalakon levő ábrákra vonatkoznak.



Akészülék használatba vétele előtt figyelmesen olvassa el a használati utasítást. Ismerkedjen meg a készülék funkcióival és a készülék kezelésével. Akészülék akkor fog megfelelően működni, ha azt a használati utasítás előírásai szerint használja. Ahasználati utasítást és az egyéb dokumentációkat a készülékkel együtt tárolja.

Leírás

A csiszológép kombinált gép a vízszintes és függőleges szalag csiszológép minden előnyével. Az erős öntöttvas és acélváz révén a gép mindenfajta csiszolásra alkalmas.

Tartalom

1. Gépinformáció
2. Biztonsági utasítások
3. Alkatrészek
4. Működés
5. Szerviz & Karbantartás

1. Gép információ

Műszaki adatok

Feszültség	230 V, 50 Hz
Teljesítményfelvétel	375 W
	S2= 30 min*
Csiszolószalag fordulatszám, amikor nincs terhelés alatt	276 m/min
Csiszolókorong fordulatszám, amikor nincs terhelés alatt	1450 /min
Csiszolószalag mérete	915 x 100 mm
Csiszolókorong mérete	Ø150 mm
Súly	16.5 kg

*S2= Maximális működési időszak 375 W kapacitással

Rezgésszint

Az ezen felhasználói kézikönyv végén megadott rezgés-kibocsátási szint mérése az EN 60745 szabványban meghatározott szabványosított teszttel összhangban történt; ez egy eszköznek egy másik eszközzel történő összehasonlítására, illetve a rezgésnek való kitettség előzetes felmérésére használható fel az eszköznek az említett alkalmazásokra történő felhasználása során.

- az eszköznek eltérő alkalmazásokra, vagy eltérő, illetve rosszul karbantartott tartozékokkal történő felhasználása jelentősen emelheti a kitettség szintjét.
- az idő, amikor az eszköz ki van kapcsolva, vagy amikor ugyan működik, de ténylegesen nem végez munkát, jelentősen csökkentheti a kitettség szintjét.

Az eszköz és tartozékai karbantartásával, kezének melegen tartásával, és munkavégzésének megszervezésével védje meg magát a rezgések hatásaitól.

Alkatrészek listája

1 + 6 Ábra

1. Acélváz
2. Villanymotor
3. Munkadarab vezetők, párhuzamos és oldal
4. Feszítő kar (a szalag feszítésére)
5. Vezető henger
6. Csiszolószalag
7. Főkapcsoló
8. Szalagvezető
9. Meghajtó henger
10. Alumínium korong a korong csiszoláshoz
11. Csiszolókorong
12. Tárgy asztal
13. Szögbeállító fokbeosztás
14. Tartókar

2. Biztonsági utasítások

A használati utasításban, vagy a gépen a következő jelölésekkel találkozhat:



A jelen használati utasításban leírtak be nem tartása esetén sérülés, életveszély, és gépsérülés következhet be.



Áramütés veszélye.



Az illetéktelen személyeket tartsa távol a munkahelytől.



Használjon védőszemüveget és hallásvédő eszközt.



Viseljen porálcot.



A termék megfelel az európai irányelvek rá vonatkozó biztonsági követelményeinek.

Rendkívüli biztonsági előírások

- Ellenőrizze a következőt:
 - *Megegyezik-e a csiszológép kimeneti feszültsége a hálózati feszültséggel.*
 - *Földelt csatlakozót használ-e.*
 - *A zsinór és a hálózati csatlakozó megfelelő állapotban van, ép, valamint szakadás- és sérülésmentes-e.*
- Az optimális működés érdekében okokból a szerszám forgó részei szabadon vannak. Legyen ezért óvatos. Az eszközt határozottan fogja meg, hogy ne ejthesse el, amikor a gép hozzáér a csiszolandó felülethez.
- Kerülje a hosszú hosszabbítózsínórok használatát.

A gép üzembehelyezésekor:

- Ügyeljen rá, hogy a zsinór ne kerüljön az eszköz mozgó részeinek közelébe.
- Használjon védőszemüveget.
- Használjon pormaszkot.

Azonnal kapcsolja ki a gépet:

- A hálózati csatlakozó, hálózati zsinór hibája, sérülése esetén;
- Ha hibás a kapcsoló;
- Ha a megégett szigetelés füstöt vagy érezhető a szaga.

Elektromos biztonság

Villamos gépek használatakor a tűzveszély illetve a személyi sérülések és az áramütés veszélyének elkerülése érdekében mindig pontosan tartsa be az országában érvényben lévő biztonsági

rendszerabályokat! Figyelmesen olvassa el az alábbiakban felsorolt illetve a kézikönyvhöz csatolt biztonsági utasításokat!



Mindig ellenőrizze, hogy a gépre kapcsolt áram feszültsége megegyezik-e a géptérzslapon feltüntetett adattal!

A vezetékek és a dugaszok cseréje

A lecserélt vezetékeket és dugaszokat azonnal dobja el! Nem csatlakoztatott illetve nem szigetelt végű vezeték dugaszát fali konnektorba dugni rendkívül veszélyes!

Hálózati csatlakozódugó csere (csak Nagy-Britannia)

Ha az egység öntött 3 villás csatlakozódugója tönkremegy és cserélni kell, fontos, hogy rendszeres meg legyen semmisítve és BS1363/13A biztosítékos csatlakozódugóra legyen cserélve a következő bekötési utasítást követve. A hálózati kábel vezetékeinek jelölése a következő:

- kék nullavezeték
- barna fázis

Mivel az egység hálózati csatlakozókábelében a vezetékek színei nem feltétlenül felelnek meg a dugó kapcsainak, a következőképpen járjon el:

- A kék színű vezetéket a dugó N-nel jelölt vagy fekete színű kapcsára kell kötni.
- A barna színű vezetéket a dugó L-lel jelölt vagy piros színű kapcsára kell kötni.

Hosszabbítózsínór használata

Kizárólag jóváhagyott és a gép bemenőteljesítményének megfelelő hosszabbítózsínórt használjon! A minimális vezeték méret 1,5 mm². Amennyiben kábeldobot használ, mindig teljesen tekerje le.

3. ALKATRÉSZEK

Használatbavétel

Kerülje a hosszú hosszabbítózsínórok használatát. Ügyeljen rá, hogy a gép körül elegendő hely maradjon a csiszolandó munkadarab számára.

Szerelés

- Állítsa fejre a acélvázat és nyomja a acélváz talpába (1) a négy gumi lábat.
- A acélvázat, az alumínium tárcsát (10) és a tárgyasztalt (12) külön-külön csomagolva

szállítjuk

- Csúsztassa az alumínium tárcsát a tengelyre és szorítsa oda a tárcsát a belső hatszögműlccsal a tárcsa oldalán (2 - 4 Ábra).
- Helyezze a tárgyasztalt (12) a tengellyel az acélvázba és erősítse oda a tárgyasztalt a inbuszkulccsal az acélváz oldalán. Ellenőrizze egy 90°-os fémderékszög segítségével a tárgyasztalon hogy a beállítási szög 90°-os-e (5 Ábra).
- Szükség esetén állítsa be a szöveget a fokbeosztás mutatójának csavarásával.
- A szintén külön szállított szögbeállító fokbeosztás (12) a tárgyasztalra (13) helyezhető. A Szögbeállító fokbeosztás (13) segítségével pontosan beállítható a csiszolás szöge.
- A szalagos csiszológép vezetője (8) az ékszíj védőelemének legfelső csapszegére helyezhető. Ezen a módon a munkaeszköz stabil lesz és komoly veszély nélkül tartható a csiszolószalaghoz.



Hogy elkerülje, hogy a munkadarab vagy ujjja a tárgyasztal (12) és a csiszolótárcsa (11) közé kerüljön, a tárgyasztal (12) és a csiszolótárcsa (11) közötti távolság ne legyen több 1,6 mm-nél.

A csiszolópapír kiválasztása

A durva csiszolópapír (60-es szemcse) általában a legtöbb anyagot eltávolítja, a befejezéshez pedig a finom csiszolópapír (150-as szemcse) használható. Ha a felszín egyenetlen, kezdje a munkát a durva csiszolópapírral, és addig folytassa, amíg egyenletessé nem válik. Ezután használjon közepesen durva papírt (100-as szemcse), hogy az első papír után ottmaradt karcokat eltávolítsa, végül finom csiszolópapírral (150-as szemcse) fejezze be a munkát. Addig folytassa a csiszolást, amíg a felszín teljesen sima nem lesz.

A csiszolópapír felhelyezése

6 - 9 Ábra

A csiszológépet és a csiszolótárcsát maga felé fordítva mozgassa a csiszolószalagot jobbról balra a gép felső részén. Ezzel a forgatási iránnyal a munkadarab a vezető jobb oldalához nyomódik. A csiszolószalag megfelelő irányú mozgását nyíl mutatja a belső oldalon (lásd az ábrát). Ahol nem szerepel nyíl, a csiszolópapírt úgy kell felhelyezni, hogy az illesztés magasabb része a szalag

forgási iránya felé álljon. Ügyeljen tehát arra, hogy a csiszolószalagot a megfelelő módon helyezze fel. A gép 100 x 915 mm-es csiszolószalaggal működik (7-es).

- Húzza ki a csatlakozót a fali csatlakozóból.
- Tolja a feszítő kart egészen jobbra, hogy megszűnjön a feszítő erő a vezető hengerekre (Fig.1: 14).
- Csúsztassa a gép hátuljáról az új csiszolószalagot a két vezető hengerre.
- Tolja a feszítő kart egészen balra. A csiszolószalag ekkor a vezető hengerekre simul.
- Csavarja a szárnyas anya segítségével a jobb oldali vezető hengert pontosan derékszögben a csiszolófogak pályájára. A szalag futását akkor állította be, amikor a csiszolószalag oldalai egyenletesen mozognak az alátétlapon.

A csiszolótárcsa

A csiszolótárcsához 150 mm átmérőjű papír- vagy anyaglapokat kell használni.

A csiszolólapok öntapadóak.

A csiszolószalag függőleges feltétele

A csiszolószalag nagyobb rugalmassága érdekében használható a csiszolószalag alsó oldala, mert itt nem található alátét lap. Hogy ez az alsó rész könnyen elérhető legyen, a csiszolószalagot függőlegesen lehet felhelyezni.

- Csavarja ki a két anyát a csiszológép elején a bal vezetőhenger körül egy villáskulcs segítségével;
- Fordítsa a csiszolószalagot felfelé a kívánt helyzetbe;
- Csavarja be újra a két anyát.
- A munkadarab most a tárgyasztalon feket és nem a csiszolószalagon;
- A köszörűtárcsához használt tárgyasztal most a csiszológép baloldalára kerülhet, a tengely a acélváz nyílásába történő átállításával;
- Csavarja be a rögzítő elemet a csiszológép hátsó oldalán;
- A tárgyasztal most alátámaszthatja a csiszolást a munkadarab a csiszolószalaghoz nyomásával.

4. Működés



A géppel mindig szemben állni, azért hogy mindig megtartsa az áttekintést (1 Ábra, A1+A2).

Bekapcsolás/Kikapcsolás

- A kapcsolót állítsa az "I"-es fokozatra a gép bekapcsolásához.
- A gép kikapcsolásához állítsa a kapcsolót a "0" fokozatra.
- A hálózati zsinórt mindig tartsa távol a mozgó részekről.
- Ne gyakoroljon túl nagy nyomóerőt a munkadarabra, ez ugyanis csak a csiszolószalag mozgását lassítja.

Csiszolás

Az ehhez a csiszológéphez adott csiszolószalag és –korong alkalmas fém, fa vagy műanyag megmunkálásához. A csiszolás során szilárdan, biztonságosan fogja a munkadarabot. Ne gyakoroljon rá külön nyomóerőt. Mozgassa a munkadarabot oda-vissza a csiszolószalagon és –korongon, hogy a csiszolószalag és –korong ne egy ponton kopjon. Kerek tárgyak a csiszolószalag végein csiszolhatók. A csiszológépnél hosszabb munkadarabokat a vezető eltávolításával csiszolhatunk.

Megj.: Fa csiszolásánál mindig az eresz hosszanti irányában csiszoljon, hogy elkerülje a szálkásodást. Kivétel: olajmázolás alá, ekkor a jobb tapadás érdekében célszerű félkeresztbe csiszolni.

Különösen lágy felület megmunkálásakor hatásos módszer alkalmazható a szemcsék felszínre hozatalához. Ez a következőképpen történik: Nedvesítse meg a már csiszolt felületet egy vizes ruhával vagy szivaccsal és hagyja alaposan megszáradni. Némelyik farost jobban megduzzad, így a felszín egyenetlenebb lesz, mint először (a nedvesség felhúzza a szálát). Ekkor finom csiszolópapírral csiszolja le a kiálló részeket és az eredmény meglepően sima felület lesz. Ezt a módszert azonban ne használja lakkozott fa esetében. A lakk a nedvesség következtében leválhat, és tönkretelheti a csiszolóanyagot is.

5. Szerviz & karbantartás



A karbantartás és tisztítás során mindig húzza ki a hálózati csatlakozót a dugós kapcsolóaljzatból.

A Ferm gépek megtervezésüknek és összeállításuknak köszönhetően hosszú ideig és minimális karbantartással üzemeltethetők. A folyamatos jó működés a gép helyes kezelésével és rendszeres tisztításával biztosítható.

Hibák megkerése és megoldása

Amennyiben a csiszológép nem megfelelően üzemel, az alábbiakban felsorolunk néhány lehetséges hibaokat és a hozzájuk tartozó megoldásokat:

- **Az elektromotor túlmelegszik.**
- A motor szellőzőnyílásai eldugultak a szennyeződéstől.
 - *Tisztítsa meg a szellőzőnyílásokat.*
- Elromlott a motor.
 - *Javítsa meg a készüléket a Ferm árusító helyen*
- **A bekapcsolt gép nem működik.**
- Szakadás a hálózati csatlakozóban.
 - *Ellenőrizze, hogy a hálózati csatlakozók nem hibásak-e. Javítsa meg a készüléket a Ferm árusító helyen*



A rendszeres karbantartás megelőzi a szükségtelen problémákat!

Tisztítás

A készülék elektromos részeinek tisztításához soha ne használjon vizet vagy más folyadékot. Tartsa tisztán a gép szellőzőnyílásait, hogy elkerülje a motor túlmelegedését.

Kenés

A gép vezető hengereit nem kell olajozni.

Meghibásodások

Ha meghibásodás fordulna elő, pl. egy alkatrész kopása után, kérjük, forduljon a garanciajegyen feltüntetett szervizhez. Ennek a kézikönyvnek a hátulján talál egy perspektivikus bontott részbrázolást, amely a rendelhető alkatrészeket mutatja.

Környezet

STOLOVÁ BRUSKA 375W

Číslo v následujícím textu se vztahuje k obrázkům na straně 2-4



Před použitím stroje si pozorně přečtěte tento návod. Přesvědčte se, že víte, jak stroj funguje a jak jej správně ovládat. Údržbu stroje provádějte v souladu s instrukcemi a ujistěte se, že stroj funguje správně. Uchovejte tento návod k obsluze a přiloženou dokumentaci ke stroji.

A szállítás során bekövetkező esetleges sérülések elkerülése érdekében a gép meglehetősen erős csomagolásban kerül leszállításra. A csomagoláshoz felhasznált anyagok nagy része újrafeldolgozható. Kérjük, hogy ezeket az anyagokat vigye a megfelelő szemétfeldolgozó telepekre.



A meghibásodott vagy használhatatlanná vált elektromos berendezéseket adja le újrafeldolgozásra.

Csak az Európai Közösség országaiban

Az elektromos eszközöket ne dobja a háztartási hulladékok közé. Az 2012/19/EU Európai Irányelv - Elektromos és elektronikus berendezések hulladékai - és ennek nemzeti szabályozása alapján, azokat az elektromos eszközöket, melyek többé már nem használhatóak, külön kell összegyűjteni, és környezetbarát módon kell megszabadulni tőlük.

Garancia

A garanciális feltételeket a kézikönyvhöz csatolt garanciakártya tartalmazza.

Popis

Tento stroj kombinuje všechny výhody horizontální i vertikální pásové brusky s kotoučovou bruskou. Jeho robustní konstrukce z litiny a oceli činí stroj vhodným pro každý druh broušení.

Obsah:

1. Údaje o stroji
2. Bezpečnostní pokyny
3. Montážní příslušenství
4. Práce s pilou
5. Údržba a servis

1. Údaje o stroji

Technické údaje

Napětí	230 V~, 50 Hz
Příkon	375 W
S2=	30 min*
Otáčky při chodu naprázdno brusný pás	276 m/min
Otáčky při chodu naprázdno brusný kotouč	1450/min
Rozměry brusné	915 x 100 mm
Rozměry kotouče	Ø 150 mm
Hmotnost	16.5 kg
Lpa (akustický tlak)	79+3 dB(A)
Lwa (akustická kapacita)	92+3 dB(A)

*S2=Maximální doba činnosti s výkonností 375 W

Úroveň vibrací

Úroveň vibrací uvedená na zadní straně tohoto manuálu s pokyny byla měřena v souladu se standardizovaným testem podle EN 60745; je možné ji použít ke srovnání jednoho přístroje s druhým a jako předběžné posouzení vystavování se vibracím při používání přístroje k uvedeným aplikacím.

- používání přístroje k jiným aplikacím nebo s jiným či špatně udržovaným příslušenstvím může zásadně zvýšit úroveň vystavení se vibracím.
- doba, kdy je přístroj vypnutý nebo kdy běží, ale ve skutečnosti není využíván, může zásadně snížit úroveň vystavení se vibracím.

Chraňte se před následky vibrací tak, že budete dbát na údržbu přístroje a příslušenství, budete si udržovat teplé ruce a uspořádáte si své pracovní postupy.

Seznam součástí

Obr. 1 + 6

1. Rám stroje
2. Motor
3. Zastavení válce a paralelní zastavení
4. Upínací páka
5. Dopravní váleček
6. Brusný pás
7. Hlavní vypínač
8. Ohrazení
9. Pohonný válec
10. Hliníkový kotouč
11. Brusný kotouč
12. Pracovní deska
13. Pokosová stupnice
14. Opěrné rameno

2. Bezpečnostní pokyny

V příručce budou používány následující symboly:



Označuje riziko osobního zranění, ztráty života nebo poškození nástroje v případě nedodržení pokynů v tomto návodu.



Označuje nebezpečí elektrického šoku.



Udržujte okolo stojící osoby v dostatečné vzdálenosti



Noste bezpečnostní brýle a ušní ochranu



Nosit respirátor.

CE Tento výrobek je vyroben v souladu s platnými bezpečnostními normami, které jsou uvedeny ve směrnicih EU.

Specifická bezpečnostní pravidla

- Nutno zkontrolovat následující položky:
 - Zda souhlasí připojovací napětí stroje s napětím sítě.
 - Zda jsou síťové přívod a vidlice v dobrém stavu – silné, bez uzlů nebo poškození.
- Zfunkčních důvodů nejsou otočné části tohoto stroje zakryty. Proto je velmi důležité být opatrný. Držte opracovávaný kus pevně, aby se zamezilo jeho vyklouznutí z vašich rukou. Nikdy se nedotýkejte brusných povrchů pracovního stroje rukama.
- Vyhýbejte se používání dlouhých prodlužovacích kabelů.

Před spuštěním stroje:

- Vždy udržujte přívodní kabely od pohyblivých částí stroje.
- Používejte ochranné brýle.
- Používejte prachovou masku.

Stroj ihned vypněte v případě:

- Vadné síťové vidlice, síťového přívodu nebo poškození síťového rozvodu.
- Vadného vypínače.
- Kouře nebo zápachu z pálicí se izolace.

Bezpečnost při práci s elektřinou

Při používání elektrických přístrojů je vždy třeba dodržovat bezpečnostní předpisy platné ve vašem státě. Sníží se tím nebezpečí požáru, zasažení elektrickým proudem a zranění osob. Pročtete zde uvedené bezpečnostní pokyny a seznamte se i s bezpečnostními pokyny příloženými k nástroji. Uložte tyto pokyny na bezpečném místě.

Vždy kontrolujte, jestli napájení odpovídá napětí na typovém štítku.

Výměna kabelů a zástrčky

Staré kabely nebo zástrčky po výměně za nové okamžitě vyhodte. Je nebezpečné používat zástrčky s uvolněnými kabely.

Výměna síťové zástrčky (Pouze UK)

Dojde-li k poškození zástrčky se třemi kolíky, která je připojena k napájecímu kabelu nářadí a musí-li být tato zástrčka vyměněna, je důležité,

aby byla původní zástrčka řádně zničena. Musí být nahrazena schválenou zástrčkou BS 1363, která je opatřena pojistkou 13 A. Při zapojování vodičů postupujte podle následujících pokynů.

Vodiče v napájecím kabelu mají následující barevné označení:

- modrá nulový vodič
- hnědáživý vodič

Protože vodiče v napájecím kabelu náradí nemusí odpovídat barevnému označení příslušných svorek v zástrčce, postupujte následovně:

- Vodič, který má modrou barvu, musí být připojen k svorce, která je označena písmenem N nebo která má černou barvu.
- Vodič, který má hnědou barvu, musí být připojen k svorce, která je označena písmenem L nebo která má červenou barvu.

Používání prodlužovacích kabelů

Používejte pouze schválené prodlužovací kabely odpovídající příkonu přístroje. Minimální průřez vodiče je 1,5 mm². Používáte-li kabelový naviják, vždy ho odvíjte celý.

3. Montážní příslušenství

Instalace

Vyhýbejte se používání dlouhých prodlužovacích kabelů. Nezapomeňte nechat dostatek prostoru kolem stroje pro opracovávané kusy, které se budou brousit.

Sestavení

- Položte rám stroje vzhůru nohama a zatlačte čtyři pryžové dorazy do patek rámu.
- Rám stroje, hliníkový kotouč (10) a pracovní deska (12) se dodávají v samostatných obalech.
- Zatlačte hliníkový kotouč na hřídel a upevněte kotouč po stranách imbusovými šrouby (Obr.2 - 4).
- Nasadte pracovní desku (12) shřídelem do rámu stroje a zajistěte ji šrouby po stranách rámu stroje. Zkontrolujte 90° úhel sloupku na pracovní desce a opět brusný kotouč, zda je úhel přesně 90° (Obr.5).
- Podle potřeby seřídte tento úhel kalibračním indikátorem.
- Pokosová stupnice (13), která se také dodává samostatně, se osadí na pracovní desku (13). Pomocí této pokosové stupnice je možno přesně určit úhel broušení.

- Ohrazení (8) pro pásovou brusku je možno umístit za nejzazší šroub krytu klínových řemenů. Takto je možno opracovávaný kus držet pevně proti pásu, bez většího nebezpečí.



Kzamezení zachycení opracovávaného kusu nebo prstů mezi pracovní desku (12) a brusný kotouč (11) nesmí mezera mezi pracovní deskou (12) a brusným kotoučem (11) přesáhnout 1,6 mm.

Volba brusného papíru

Hrubým brusným papírem (P 60) se obecně odstraňuje většina materiálu a pro dokončování se pak používá jemný brusný papír (P 150). Nerovný povrch se nejprve opracuje hrubým brusným papírem, až je rovný. Následně se k odstranění škrábanců, způsobených prvním druhem papíru, použije středně hrubý brusný papír (P 100). Jemného brusného papíru (P 150) se používá pro dokončení povrchu. Broušení musí pokračovat, až je povrch hladký.

Nasazení brusného papíru

Obr. 6 - 9

Když se bruska drží brusným kotoučem, otáčejícím se proti vám, brusný pás se pohybuje podél horní části stroje zprava doleva. Z důvodu tohoto směru otáčení bude opracovávaný kus tlačěn proti pravé straně ohrazení. Šipka uvnitř značí správný směr chodu brusného pásu (viz nákres). Není-li vyznačen žádný směr, brusný pás se musí nasadit tak, aby zvýšená část švu ležela ve směru otáčení pásu. Je velmi důležité, aby brusný pás byl ve správném směru. Stroj používá standardní brusné pásy 100 x 915 mm (č. 7).

- Vytáhněte vidlici ze síťové zásuvky.
- Zatlačte upínací páku zcela doprava k uvolnění napnutí dopravních válečků (Obr.1: 14).
- Zatlačte brusný pás podél obou dopravních válečků, začněte od zádi stroje.
- Zatlačte upínací páku zcela doleva. Nyní by měl být brusný pás zcela napnutý.
- Otočte dopravním válečkem přesně v pravém úhlu do směru brusných pásů, a to pomocí křídlové matky u pravého válečku. Směr chodu pásu je nastaven správně, jestliže okraje brusného pásu běžící souběžně s nosnou deskou.

Brusný kotouč

Pro brusný kotouč se používá papírových desek

nebo desek se suchým zipem. Standardní průměr je 150 mm. Desky jsou samolepicí.

Svislá poloha brusného pásu

Pro širší možnosti brusného pásu se může použít jeho spodní strana, protože zde není žádná nosná deska. Pro snadný přístup k této spodní straně se brusný pás může umístit ve svislé poloze.

- Otevřeným klíčem povolte dvě matice na přední straně brusky, kolem hřídele levého dopravního válečku.
- Zatlačte brusný pás do požadované polohy.
- Obě matice opět utáhněte.
- Opracovávaný kus nyní může ležet na pracovním povrchu místo na brusném pásu.
- Pracovní deska, která se používá brusným kotoučem, se nyní může se hřídelí zatlačit do otvoru v rámu stroje na levé straně brusky.
- Utáhněte šroub na zádi stroje.
- Pracovní deska se nyní může použít jako opěra pro broušení opracovávaného kusu proti brusnému pásu.

4. Práce s pilou



Abyste měli stále přehled, stůjte vždy čelem ke stroji (Obr. 1, A1+A2).

Zapnutí/Vypnutí

- Přepněte vypínač do polohy 'I' kuvedení brusky do chodu.
- Kvypnutí stroje se tento vypínač musí přepnout do polohy '0'.
- Vždy udržujte síťový přívod od pohybujících se částí.
- Není třeba na opracovávaný kus nijak tlačit, protože to jen zpomaluje rychlost brusného kotouče.

Broušení

Brusný pás a kotouč, dodávané s touto bruskou, jsou vhodné ke broušení kovů, dřeva a umělých hmot. Opracovávaný kus by se měl při broušení vždy pevně držet. Není třeba žádného zvláštního tlaku. Opracovávaný kus vedte přes brusný pás sem a tam, aby se zabránilo opotřebování brusného pásu a desky na jednom místě. Kulaté předměty je možno brousit na koncích brusného pásu. Opracovávané kusy, které jsou delší, než bruska, lze brousit při odstranění ohrazení.

Pozn.: Kzamezení štípaní se dřevo musí brousit

vždy podél vláken.

Kobroušení velmi měkkého povrchu je velmi praktické 'přivést částěčky na povrch'. To se provádí následujícím způsobem: namočte již broušený povrch hadříkem nebo houbou a nechte jej dobře oschnout. Některá vlákna dřeva vystoupnou více, než jiná, což vede ke zhrubnutí povrchu. Nyní se tyto vyšší částěčky obrousí jemným brusným papírem. Výsledkem je pozoruhodně hladký povrch. Tento způsob by se neměl používat u lakovaného dřeva, protože lak se může vlhkostí odlupovat.

5. Údržba a servis



Při údržbě a čištění stroje vytáhněte vidlice ze síťové zásuvky stroje.

Nesprávná funkce

Dále je uvedeno několik příčin a odpovídajících řešení v případě, že stroj nefunguje jak má:

- **Elektromotor se zahřívá.**
 - Větrací štěrby kochlazování motoru jsou zaneseny.
 - Vyčistěte větrací štěrby.
 - Motor je vadný.
 - Nechte brusku opravit nebo zkontrolovat u vašeho místního prodejce Ferm.
 - **Připojený stroj neběží.**
 - Přerušení vpřipojení k síti.
 - Zkontrolujte připojení k síti na přerušení. Nechte brusku opravit nebo zkontrolovat u vašeho místního prodejce Ferm.
- Pravidelná údržba brusky zabraňuje zbytečným problémům!*



Čištění

Kčištění stroje nikdy nepoužívejte vodu ani agresivní kapaliny. Stroj čistěte jen kartáčem a štětcem. Udržujte větrací štěrby stroje čisté, aby s zabránilo přehřívání motoru.

Mazání

Není nutné mazat dopravní válečky stroje.

Závady

Vznikne-li závada na některé součástce, například vlivem opotřebení, kontaktujte prosím servisní adresu uvedenou na záruční kartě. Na

zadní straně návodu naleznete schematický náčrtek, které součástky lze objednat.

Životní prostředí

Přístroj je dodáván v odolném balení, které zabraňuje jeho poškození během přepravy. Většinu z materiálů, které jsou na balení použity, lze recyklovat. Zbavujte se jich proto pouze na místech určených pro odpad příslušných látek.



Vadný a nebo vyhozený elektrický či elektronický přístroj musí být dodán na příslušné recyklační místo.

Pouze pro krajiny ES

Elektricky napájené zařízení neodhazujte do domovního odpadu. Ve smyslu evropské směrnice 2012/19/EU o elektrickém a elektronickém odpadu a její implementace do národního práva, se musí elektrické nástroje, které se již déle nepoužívají, shromážďovat odděleně a likvidovat pouze způsobem, jenž nepoškozuje životní prostředí.

Záruka

Záruční podmínky jsou uvedeny v záručním listu na zadní straně tohoto návodu k použití.

NAMIZNI BRUSILNIK 375W

Številke spodaj ustrezajo slikam na strani 2 - 4



Pred uporabo stroja pozorno preberite priročnik za uporabnika. Spoznajte orodje, njegovo delovanje in se naučite z orodjem pravilno ravhati. Orodje vzdržujte v skladu z navodili in zagotovite pravilno delovanje. Priročnik za uporabnika in ostalo dokumentacijo hranite skupaj z orodjem.

Opis

Ta naprava kombinira vse ugodnosti horizontalnega in vertikalnega tračnega brusilnika z kolutnim brusilnikom. Njegova močna konstrukcija iz litine in jekla dela napravo primerno za vsako sorto brušenja.

Kazalo:

1. Podatki o napravi
2. Varnostna navodila
3. Dodatki za namestitve
4. Delovanje
5. Servis & Vzdrževanje

1. Podatki o napravi

Tehnična specifikacija

Napetost	230 V~, 50 Hz
Poraba energije	375 W
Najdaljše obdobje delovanja	S2= 30 min*
Brusilni trak obrati, prosti tek	276 m/min
Brusilni kolot obrati, prosti tek	1450 /min
Dimenzije brusilni trak	915 x 100 mm
Dimenzije brusilni kolot	Ø 150 mm
Masa	16.5 kg
Hrup v prostem teku	79+3 dB(A)
Hrup pri nazivni obremenitvi	92+3 dB(A)

*S2= Najdaljše obdobje delovanja s kapaciteto 375 W

Raven vibracij

Raven oddajanja vibracij, navedena na zadnji strani teh navodil za uporabo je bila izmerjena v skladu s standardiziranimi testi, navedenimi v EN 60745; uporabiti jo je mogoče za primerjavo različnih orodij med seboj in za predhodno primerjavo izpostavljenosti vibracijam pri uporabi

orodja za namene, ki so omenjeni

- uporaba orodja za drugačne namene ali uporaba skupaj z drugimi, slabo vzdrževanimi nastavki lahko znatno poveča raven izpostavljenosti
- čas, ko je orodje izklopljeno ali ko teče, vendar z njim ne delamo, lahko znatno zmanjša raven izpostavljenosti

Pred posledicami vibracij se zaščitite z vzdrževanjem orodja in pripadajočih nastavkov, ter tako, da so vaše roke tople, vaši delovni vzorci pa organizirani

Seznam sestavnih delov

Slika 1 + 6

1. Okvir naprave
2. Motor
3. Zaustavitev valja in paralelna zaustavitev
4. Pritrjevalni vzvod
5. Transportni valjček
6. Brusilni trak
7. Glavno stikalo
8. Ograja
9. Pogonski valj
10. Aluminijasti kolut
11. Brusilni kolut
12. Delovna plošča
13. Pokosna lestvica
14. Oporno rameno

2. Varnostna navodila

V tem navodilu za uporabo ali na stroju se nahajajo sledeči simboli:



Označuje nevarnost poškodb, smrti ali materialnih škod na napravi in predmetih zaradi neupoštevanja navodil, ki so zajeta v tem priročniku.



Označuje nevarnost električnega udara.



Druge osebe v bližini morajo stati v varni razdalji



Uporabljajte zaščitna očala in zaščito za sluh



Nosite protiprašno varovalno masko



Produkt je v súlade s platnými bezpečnostnými štandardmi obsiahnutými v európskych smerniciach

Specifična varnostna pravila

- Nujno preveriti sledeče pozicije:
 - Če soglaša priključevalna napetost naprave z napetostjo omrežja;
 - Če je mrežni dovod in vilica v dobrem stanju – močne, brez vozlov ali poškodovanja.
- Iz funkcijskih razlogov niso vrtljivi deli te naprave pokriti. Zato je zelo pomembno biti previden. Držite obdelani kos utrjeno tako, da bi se preprečilo njegovemu zdrknjenju iz vaših rok. Nikoli se ne dotikajte brusilnih površin delovne naprave s rokama.
- Izogibajte se uporabi dolgih podaljševalnih kablov.

Pred spuščanjem stroja:

- Vedno vzdržujte dovodne kable od pomičnih delov naprave;
- Uporabljajte zaščitna očala;
- Uporabljajte prašno masko.

Napravo takoj izklopite v primeru:

- Poškodovane mrežne vilice, mrežnega dovoda ali poškodovanja mrežne napeljave;
- Poškodovanega stikala;
- Dima ali smrada iz opečene izolacije.

Bezpečnost pri práci s elektřinou

Při používání elektrických přístrojů je vždy třeba dodržovat bezpečnostní předpisy platné ve vašem státě. Sníží se tím nebezpečí požáru, zasažení elektrickým proudem a zranění osob. Pročtěte zde uvedené bezpečnostní pokyny a seznamte se i s bezpečnostními pokyny příloženými k nástroji. Uložte tyto pokyny na bezpečném místě.



Vždy kontrolujte, jestli napájení odpovídá napětí na typovém štítku.

Výměna kabelů a zástrček

Staré kabely nebo zástrčky po výměně za nové okamžitě vyhodte. Je nebezpečné používat zástrčky s uvolněnými kabely.

Výmena elektrickej zástrčky (Ien VB)

Ak sa lisovaná 3-koľková zástrčka upevnená k jednotke poškodí a vyžaduje sa jej výmena, je dôležité, aby bola riadne zlikvidovaná a nahradená schválenou zástrčkou BS1363/13A vybavenou poistkou a bol dodržaný nasledujúci postup zapojenia. Vodiče na napájacom kábli sú farebne odlišené podľa nasledujúceho kódu:

- modrá nula
- hnedá žila

Keďže farby vodičov na napájacom kábli jednotky nemusia zodpovedať farebným značkám identifikujúcim termíny na zástrčke, postupujte nasledovne:

- Modrý vodič sa musí pripojiť k terminálu, ktorý je označený písmenom N alebo je čiernej farby.
- Hnedý vodič sa musí pripojiť k terminálu, ktorý je označený písmenom L alebo je červenej farby.

Používaní prodlužovacích kabeľů

Používajte pouze schválené prodlužovací kabely odpovídající příkonu přístroje. Minimální průřez vodiče je 1,5 mm². Používáte-li kabelový navíjač, vždy ho odvíjte celý.

3. Dodatki za namestitvev

Instalacija

Izogibajte se uporabi dolgih podaljševalnih kablov. Ne pozabite pustiti dovolj prostora okrog naprave za obdelane kose, katere se bodo brusile.

Sestavitev

- Položite okvir naprave nogama navzgor in vtisnite štiri gumjaste sunke v vnožje okvirja.
- Okvir naprave, aluminijasti kolot (10) in delovna plošča (12) se dobavljajo v samostojnih embalažah.
- Vtisnite aluminijasti kolot na gred in pritrдите kolot po straneh z imbus vijaki (Slika 2 - 4).
- Nataknite delovno ploščo (12) zgedrjo v okvir naprave in zagotovite njo vijaki po straneh okvirja stroja. Preverite 90° kot steberčka na delovni plošči in ponovno brusilni kolot, če je kot točno 90° (Slika 5).
- Po potrebi priredite ta kot s kalibracijskim indikatorjem.
- Pokosna lestvica (13), ki se tudi dobavlja

samostojno se natakne na delovno ploščo (13). S pomočjo tiste pokosne lestvice je možno točno določiti kot brušenja.

- Ograjo (8) za tračni brusilnik je možno namestiti za najbolj oddaljeni vijak pokrova klinastih jermenov. Tako je možno obdelavani komad držati trdno proti traku, brez večje nevarnosti.



Kpreprečevanju prijemanja obdelanega kosa ali prstov med delovno ploščo (12) in brusilni kolot (11) ne sme razmik med delovno ploščo (12) in brusilnim kolutom (11) presežati 1,6 mm.

Izbira brusilnega papirja

Z grobim brusilnim papirjem (P 60) se splošno odstranjuje večina materiala in za zaključevanje se potem uporablja fini brusilni papir (P 150). Ne izravna površina se najprej obdela grobim s brusilnim papirjem tako, ko je enak. Potem se za odstranitev praskanj, povzročenih prvo sorto papirja, uporabi srednje grobi brusilni papir (P 100). Fini brusilni papir (P 150) se uporablja za dokončanje površine. Brušenje mora nadaljevati do takrat, ko je površina gladka.

Nataknitev brusilnega papirja

Slika 6 - 9

Ko se brusilnik drži z brusilnim kolutom, vrtljajočim se do vas, brusilni trak se giblje vzdolž zgornjega dela naprave iz desne strani na levo. Iz razloga tiste smeri vrtenja bo obdelavani komad privan proti desni strani ograje. Puščica noter označuje pravo smer delovanja brusilnega traka (viz načrt). Če ni označen kakršenkoli smer, brusilni trak se mora natakiniti tako, da bi zvišani del šiva ležal v smeri vrtenja traka. Je zelo pomembno, da bi bil brusilni trak v pravi smeri. Naprava uporablja standardne brusilne trake 100 x 915 mm (št. 7).

- Izvlecite vilico iz mrežne vtičnice.
- Vtaknite pritrjevalni vzvod popolnoma desno za sprostitvev nategnenja transportnih valjčkov (Slika 1: 14).
- Vtaknite brusilni trak vzdolžno obeh transportnih valjčkov, začnite od zadnjega dela naprave.
- Vtaknite pritrjevalni vzvod popolnoma levo. Zdj bi imel biti brusilni trak popolnoma napeti.
- Obrnite transportnim valjčkom točno v desnem kotu v smeri brusilnih trakov in to s

pomočjo krilne matice pri desnem valjčku. Smer delovanja traka je nastavljen pravilno, če robovi brusilnega traka tečejo paralelno z nosilno ploščo.

Brusilni kolot

Za brusilni kolot se uporabljajo papirnaste mape ali mape s suho zadrgo. Standardni premer je 150 mm. Mape so samolepilne.

Vertikalna pozicija brusilnega traka

Za širše možnosti brusilnega traka se lahko uporabi njegova spodnja stran zaradi tega, da ni nobene nosilne plošče. Za enostaven dostop k tisti spodnji strani se brusilni trak lahko namesti v vertikalni poziciji.

- Odprtim ključem sprostite dve matice na srednjem delu brusilnika, okrog gredi levega transportnega valjčka.
- Vtaknite brusilni trak v zahtevano pozicijo.
- Obe matice ponovno privijte.
- Obdelavani komad zdaj lahko leži na delovni površini na mesto na brusilnem traku.
- Delovna plošča, ki se uporablja brusilni kolot, se zdaj lahko z gredjo vtakne v odprtino v okvirju naprave na levi strani brusilnika.
- Privijte vijak na zadnjem delu naprave.
- Delovna plošča se zdaj lahko uporabi kako opora za brušenje obdelavanega komada proti brusilnemu traku.

4. Delovanje



Vedno se postavite frontalno pred stroj, da ohranite pregled (Slika 1, A1+A2).

Vklop/izklop

- Preklopite stikalo v pozicijo 'I' k navedenju brusilnika v delovanje.
- Za izključitev naprave se ta stikalo mora preklopiti v pozicijo '0'.
- Vedno vzdržujte mrežni dovod od giblajočih se delov.
- Ni nujno na obdelavani komad nikakor pritiskati zaradi tega, da to samo upočasnjuje hitrost brusilnega kolota.

Brušenje

Brusilni trak in kolot, dobavljeni s tistim brusilnikom so primerni za brušenje kovin, lesa in plastike. Obdelavani komad bi se imel med

brušenjem vedno trdo držati. Ni treba nobenega posebnega tlaka. Obdelavani komad vodite čez brusilni trak sem pa tja tako, da bi se preprečilo obrabljanju brusilnega traka in plošče na enem mestu. Okrogle predmete je možno brusiti na zaključkih brusilnega traka. Obdelavani komadi, ki so daljši kot brusilnik, lahko brusite po odstranitvi ograje.

Opomba: Krepredčevanju cepanja se les mora vedno brusiti vzdolž vlaken.

Za brušenje zelo mehke površine je zelo praktično 'pripeljati delčke na površino'. To se izvaja na sledeči način: namočite že brušeno površino cunjno ali gobico in pustite ga dobro osušiti. Nekatera vlakna lesa izstopijo več ko druga, kaj vodi do raskavanja površine. Zdaj se tiste višje delce obrusijo finim brusilnim papirjem. Rezultatom je znamenito gladka površina. Ta način se ne bi imel uporabljati pri loščevalnem lesu zaradi tega, da se loščilo lahko z vlažnostjo odlupuje.

5. Servis & vzdrževanje



Preden se lotite vzdrževalnih del na mehanskih delih, se prepričajte, da ste orodje izklopili iz električnega omrežja.

Stroji Ferm so narejeni tako, da delujejo dolgo in potrebujejo le malo vzdrževanja. Konstantno dobro delovanje je pogojeno s pravilno nego stroja in rednim čiščenjem.

Ne pravilna funkcija

Dalje je navedeno nekaj vzrokov in odgovarjajočih rešitev v primeru, da naprava ne deluje tako, kako ima/

- **Elektromotor se segreva.**
- Prezračevalne špranje za ohlajevanje motorja so zamašene.
 - *Očistite prezračevalne špranje.*
- Motor je pokvarjen.
 - *Pustite brusilnik popraviti ali preveriti pri vašem lokalnem prodajalcu Ferm.*
- **Priključena naprava ne deluje.**
- Prekinitev vpriključenju k omrežju.
 - *Preverite priključitev komrežju na prekinitvev. Pustite brusilnik popraviti ali preveriti pri vašem lokalnem prodajalcu*

Ferm.

SZLIFIERKA STOŁOWA 375W

Redno vzdrževanje brusilnika preprečuje odvečnim problemom!

Čiščenje

Začiščenje naprave nikoli ne uporabljajte vodo in ni agresivne tekočine. Napravo čistite samo s krtačo in čopičem. Vzdržujte prezračevalne špranje naprave čiste, da bi se preprečevalo pregrevanju motorja.

Mazanje

Ni nujno mazati transportne valjčke naprave.

Okvare

V primeru okvare, t.j. obrabe posameznega dela, pokličite servisno službo. Naslov je označen na garancijskem listu. Na zadnji strani tega priročnika je povečan prikaz posameznih delov, ki jih lahko naročite.

Okolje

Orodje transportiramo v krepki embalaži da ga zavarujemo pred poškodbami. Večino embalaže je mogoče reciklirati zato jo odnesi na zbirališče takšnih odpadkov oz. v za to namenjen kontejner, da bo reciklirana. Redno vzdrževanje brusilnika preprečuje odvečnim problemom!



Poškodovano ali neuporabno električno napravo odnesite na mesto, pristojno za reciklažo tovrstnega materiala.

Samo za države ES

Električnih orodij ne vrzite stran v domače za smeti. Po Evropski smernici 2012/19/EU za WEEE (Odpadna električna in elektronska oprema) in njeno širitev v narodno pravo, je potrebno električna orodja, ki niso več uporabna, zbrati posebej in se jih znebiti na okolju prijazen način.

Garancija

Garancijski pogoji so opisani na priloženem garancijskem listu.

Cyfry zamieszczone w poniższym tekście odnoszą się dp rysunków na stronie 2 - 4



Przed przystąpieniem do użytkowania urządzenia należy dokładnie zapoznać się z niniejszą instrukcją obsługi. Należy upewnić się, że operatorowi znana jest zasada pracy urządzenia oraz sposób jego obsługi. Konserwacja urządzenia powinna być prowadzona zgodnie z zaleceniami - zapewni to prawidłową pracę maszyny. Niniejsza instrukcja obsługi wraz z załączoną dokumentacją powinny być przechowywane wraz z urządzeniem.

Opis

Maszyna ta łączy zalety poziomej i pionowej szlifierki taśmowej z cechami szlifierki z krążkiem. Dzięki trwałej konstrukcji z żeliwa i stali maszyna nadaje się do każdego szlifowania.

Spis treści:

1. Informacje o urządzeniu
2. Instrukcje dotyczące bezpieczeństwa
3. Montaż i akcesoria
4. Funkcjonowanie
5. Serwis i utrzymanie urządzenia

1. Informacje o urządzeniu**Specyfikacja techniczna**

Napięcie	230 V~, 50 Hz
Zużycie mocy	375 W
	S2= 30 min*
Taśma szlifująca obroty bez obciążenia	276 m/min
Krażek szlifujący obroty bez obciążenia	1450 /min
Wymiary taśma szlifująca	915 x 100 mm
Wymiary krażek szlifujący	Ø150 mm
Ciężar	16.5 kg
Lpa (ciśnienie akustyczne)	79+3 dB(A)
Lwa (potencjał akustyczny)	92+3 dB(A)

*S2=Maksymalny czas pracy z mocą 375 W

Poziom wibracji

Poziom emisji wibracji podany na końcu tej instrukcji został zmierzony zgodnie z testem standaryzowanym podanym w EN 60745; może służyć do porównania jednego narzędzia z innym i jako ocena wstępna narażenia na wibracje w

trakcie używania narzędzia do wymienionych zadań

- używanie narzędzia do innych zadań, lub z innymi albo źle utrzymanymi akcesoriami, może znacząco zwiększyć poziom narażenia
- przypadki, kiedy narzędzie jest wyłączone lub jest czynne, ale aktualnie nie wykonuje zadania, mogą znacząco zmniejszyć poziom narażenia

Należy chronić się przed skutkami wibracji przez konserwację narzędzia i jego akcesoriów, zakładanie rękawic i właściwą organizację pracy

Lista części

Rys. 1 + 6

1. Rama maszyny
2. Silnik
3. Blokada rolek i ruchu równoległego
4. Zacisk klamry
5. Rolka napędowa
6. Taśma szlifująca
7. Włącznik główny
8. Przegroda
9. Rolka prowadząca
10. Krążek aluminiowy
11. Krążek szlifujący
12. Płyta robocza
13. Miernik kątowy
14. Dźwignia wspornikowa

2. Instrukcje dotyczące bezpieczeństwa

W tej instrukcji i/lub szlifierce są używane następujące symbole:



W razie nie przestrzegania danej instrukcji obsługi może powstać oraz zginiecia personelu lub uszkodzenia narzędzia.



Wskazuje na niebezpieczeństwo porażenia prądem elektrycznym.



Styk (wtyczkę) odłączyć od głównego przewodu.



Obserwatorzy powinny się znajdować w oddaleniu.



Nosić okulary ochronne oraz ochraniać uszy.



Noś maskę przeciwpyłową.



Produkt spełnia wymogi odpowiednich norm bezpieczeństwa podanych w dyrektywach UE.

Szczególne zasady bezpieczeństwa

- Należy sprawdzić następujące rzeczy:
 - *Czy podłączone napięcie jest zgodne z napięciem sieci zasilania;*
 - *Czy przewody zasilające i wtyczki są w dobrym stanie, mocne, nie poplątane i bez uszkodzeń.*
- Z powodów funkcjonalnych obrotowe części maszyny nie są zakryte. Dlatego niezmiernie ważne jest zachowanie ostrożności. Trzymaj obrabiany materiał silnie, żeby zapobiec jego wyslizgnięciu się z rąk. Nigdy nie dotykaj rękami powierzchni szlifujących włączonej maszyny.
- Unikaj korzystania z długich przedłużaczy.

Zanim uruchomisz maszynę:

- Zawsze trzymaj przewody zasilające z dala od ruchomych części maszyny.
- Używaj okularów ochronnych.
- Używaj maski przeciwpyłowej.

Natychmiast wyłącz maszynę w przypadku:

- Wadliwych wtyczek i przewodu zasilającego lub uszkodzenia przewodu zasilającego.
- Wadliwego wyłącznika.
- Dymu lub zapachu nadpalonej izolacji.

Bezpečnost při práci s elektrinou

Při používání elektrických přístrojů je vždy třeba dodržovat bezpečnostní předpisy platné ve vašem státě. Sníží se tím nebezpečí požáru, zasažení elektrickým proudem a zranění osob. Pročtěte zde uvedené bezpečnostní pokyny a seznamte se i s bezpečnostními pokyny přiloženými k nástroji. Uložte tyto pokyny na bezpečném místě.



Vždy kontrolujte, jestli napájení odpovídá napětí na typovém štítku.

Výměna kabelů a zástrček

Staré kabely nebo zástrčky po výměně za nové okamžitě vyhoďte. Je nebezpečné používat zástrčky s uvolněnými kabely.

Wymiana wtyczki zasilania sieciowego (tylko Wielka Brytania)

Jeśli trójbołcowa wtyczka dołączona do urządzenia ulegnie uszkodzeniu i wymaga wymiany, należy ją poprawnie zniszczyć i wymienić na wtyczkę z bezpiecznikiem z atestem BS1363/13A, przestrzegając poniższych instrukcji okablowania. Przewody w kablu zasilania sieciowego są oznaczone kolorami zgodnie z następującymi kodem:

- niebieski zerowy
- brązowy pod napięciem

Ponieważ kolory przewodów w przewodzie zasilania sieciowego urządzenia mogą nie być zgodne z oznaczeniami kolorowymi styków we wtyczce, postępować zgodnie z opisem poniżej:

- Przewód oznaczony niebieskim kolorem należy podłączyć do styku oznaczonego literą N lub kolorem czarnym.
- Przewód oznaczony brązowym kolorem należy podłączyć do styku oznaczonego literą

L lub kolorem czerwonym.

Používání prodlužovacích kabelů

Používejte pouze schválené prodlužovací kabely odpovídající příkonu přístroje. Minimální průřez vodiče je 1,5 mm². Používejte-li kabelový naviják, vždy ho odvíjte celý.

3. Montáž i akcesoria

Instalacja

Unikaj stosowania długich przedłużaczy. Nie zapomnij pozostawić wystarczająco dużo miejsca wokół maszyny na przedmioty, który będziesz szlifować.

Montáž

- Ustaw ramę maszyny na części frontowej i wciśnij cztery gumowe elementy mocujące w podstawę ramy.
- Rama maszyny, krążek aluminiowy (10) oraz płyta robocza (12) dostarczane są w oddzielnym opakowaniu.
- Wepchnij aluminiowy krążek na trzpień i

zamocuj go za pomocą zatrzasku we wgłębieniu po stronie krążka (Rys.2 - 4).

- Umieść płytę roboczą (12) wraz z trzpieniem w ramie maszyny i zabezpiecz płytę roboczą zatrzaskiem w ścianie ramy maszyny. Sprawdź przy pomocy kątownika prostokątnego, umieszczonego pomiędzy płytą roboczą a krążkiem szlifującym, czy kąt wynosi dokładnie 90° (Rys.5).
- Jeśli to konieczne, wyreguluj ten kąt przy pomocy wskaźnika kalibracji.
- Miernik kątowy (13), również dostarczany oddzielnie, można umieścić na płycie roboczej (12). Przy wykorzystaniu miernika kąтового można precyzyjnie określić kąt szlifowania.
- Przegrodę (8) szlifierki taśmowej można umieścić za najwyższym położonym zatrzaskiem osłony paska klinowego. W ten sposób obrabiany materiał może zostać mocno uchwycony tuż obok taśmy bez większego ryzyka.



W celu zapobieżenia wkręceniu obrabianego przedmiotu lub palców pomiędzy płytą roboczą (12) a krążek szlifujący (11) przestrzeń pomiędzy płytą roboczą (12) a krążkiem szlifującym (11) nie może przekraczać 1,6 mm.

Wybór paieru ściernego

Ogólnie większość materiałów może być szlifowana za pomocą grubego papieru ściernego (P 60); drobny papier ścierny (P 150) używany jest do polerowania. Powierzchnię nierówną obrabia się najpierw papierem grubym, szlifując ją aż do momentu, kiedy będzie równa. Następnie stosowany jest średnio-gruby papier ścierny (P 100) w celu usunięcia rys, spowodowanych użyciem papieru pierwszego typu. Drobny papier ściernego (P 150) używa się do polerowania. Szlifowanie należy kontynuować, dopóki powierzchnia nie będzie gładka.

Umieszczenie paieru ściernego

Rys.6 - 9

Kiedy trzymasz szlifierkę krążkiem szlifującym w swoją stronę, taśma szlifująca przesuwana się z prawej strony na lewą wzdłuż górnej części maszyny. Ze względu na ten kierunek obrotów obrabiany przedmiot zostanie dociśnięty do prawej strony przegrody. Strzałka wewnątrz wskazuje właściwy kierunek biegu szlifującej taśmy (zob. rysunek).

Jeśli zaden kierunek nie został wskazany, taśmę szlifującą należy umieścić tak, żeby zewnętrzna część styku skierowana była w kierunku ruchu obrotowego taśmy. Dlatego prawidłowe umieszczenie taśmy jest bardzo istotne. W maszynie stosuje się standardowe taśmy szlifujące 100 x 915 mm (nr 7).

- Wyjmij wtyczkę z gniazda sieci zasilania.
- Przekręć zacisk klamry do końca w prawo, żeby zluzować rolki napędowe (Rys. 1: 14).
- Naciągnij taśmę szlifującą wzdłuż obydwu rolek napędowych, zaczynając od tylnej części maszyny.
- Przekręć zacisk klamry zupełnie na lewo. Taśma szlifująca powinna być całkowicie naciągnięta.
- Ustaw rolę napędową prostopadle do kierunku taśm szlifujących za pomocą nakrętki na prawej rolce. Kierunek ruchu taśmy ustawiony jest prawidłowo, jeśli boki taśmy szlifującej przebiegają równolegle do płyty nośnej.

Krażeks szlifujący

Do krążków szlifujących wykorzystywane jest papier lub arkusze "rzepów". Standardowa średnica arkusza wynosi 150 mm. Arkusze są samoprzylepne.

Pionowe położenie taśmy szlifującej

W celu zwiększenia przydatności taśmy szlifującej można wykorzystywać także jej dolną stronę, gdyż nie ma tam płyty nośnej. Aby ułatwić dostęp do dolnej części, taśmę można ustawić w pozycji pionowej.

- Kluczem nasadkowym obluźnij dwie nakrętki na przedniej części szlifierki, obok osi lewej rolki napędowej.
- Unieś taśmę szlifującą do pożądaney pozycji.
- Dokręć z powrotem obie nakrętki.
- Obrabiany przedmiot może teraz spoczywać na stole roboczym, a nie na taśmie szlifującej.
- Dokręć gwint na tylnej części maszyny.
- Płytę roboczą, używaną dla krążka szlifującego, można teraz wcisnąć trzpieniem w otwór w ramie maszyny, z lewej strony szlifierki.
- Dokręć gwint z tyłu maszyny.
- Płyta robocza może być teraz wykorzystana jako podpora przy szlifowaniu przedmiotu

taśmą szlifującą.

4. Funkcjonowanie



Zawsze stoją przednie do maszyny, aby zawsze zachować przegląd (Rys. 1, A1+A2).

Włączenie On/Włączenie Off

- W celu uruchomienia szlifierki wciśnij wyłącznik do pozycji '1'.
- Żeby wyłączyć szlifierkę należy przełączyć ten sam wyłącznik na pozycję '0'.
- Trzymaj zawsze kabel zasilający z dala od ruchomych części maszyny.
- Nie ma potrzeby naciskania na obrabiany przedmiot – może to jedynie zmniejszyć szybkość krążka szlifującego.

Szlifowanie

Taśma i krążek szlifujący, znajdujące się w komplecie z tą szlifierką, nadają się do szlifowania metalu, drewna oraz powierzchni syntetycznych. Należy zawsze mocno trzymać obrabiany przedmiot podczas szlifowania. Nie potrzeba do tego żadnego dodatkowego nacisku. Przesuwaj obrabiany przedmiot w górę i w dół nad taśmą szlifującą, żeby zapobiec zużyciu się taśmy i krążka szlifującego w jednym miejscu. Przedmioty okrągłe można szlifować końcówkami taśmy szlifującej. Przedmioty dłuższe niż sama szlifierka można szlifować po zdjęciu przegrody.

Nota bene: W celu zapobieżenia rozwarstwieniu, drewno należy zawsze szlifować wzdłuż jego włókien.

Aby uzyskać maksymalnie gładką powierzchnię można zastosować metodę "wyprowadzenia cząstek na powierzchnię". Polega ona na tym, że po wstępnym zeszlifowaniu moczy się powierzchnię za pomocą wilgotnej szmatki lub gąbki i pozwala jej wyschnąć. Niektóre włókna drewniane nabrzmiewają bardziej od pozostałych, co prowadzi do powstania bardziej szorstkiej powierzchni niż wcześniej. Następnie należy zeszlifować wierzchnią warstwę drobnym papierem ściernym, w efekcie czego otrzymamy znacznie bardziej wygładzoną powierzchnię. Metody tej nie powinno się jednak stosować do drewna lakierowanego, ponieważ lakier może odpryskiwać pod wpływem wilgoci.

5. Serwis i konserwacja



Przed przystąpieniem do konserwacji silnika, sprawdź czy wtyczka jest odłączona od sieci.

Urządzenia Ferm zaprojektowano tak, aby działały bezproblemowo przez długi czas i wymagały konserwacji jedynie w niewielkim zakresie. Stałe poprawne działanie urządzenia zależy od jego właściwej konserwacji i regularnego czyszczenia.

Nieprawidłowe działanie

Poniżej znajduje się spis możliwych przyczyn i odpowiednich rozwiązań w przypadkach, kiedy maszyna działa nie tak, jak powinna:

- **Silnik elektryczny nagrzewa się.**
 - Otwory chłodnej wentylacji zatkane są brudem.
 - *Wyczyść otwory chłodnej wentylacji.*
- Silnik jest wadliwy.
 - *Oddaj szlifierkę do sprawdzenia i naprawy do lokalnego dealera firmy Ferm.*
- **Podłączona maszyna nie działa.**
- Przerwa w sieci zasilania.
 - *Sprawdź połączenie zasilające pod kątem uszkodzeń. Oddaj szlifierkę do sprawdzenia i naprawy do lokalnego dealera firmy Ferm.*



Regularne przeglądy techniczne szlifierki taśmowej zapobiegą niepotrzebnym problemom!

Czyszczenie

Nigdy nie używaj wody ani innych cieczy do czyszczenia szlifierki. Czyść maszynę za pomocą szczotki. Utrzymuj otwory wentylacyjne w czystości, żeby zapobiec przegrzewaniu się silnika.

Smarowanie

Nie ma potrzeby smarowania rolek napędowych maszyny.

Awarie

przypadku wystąpienia awarii (n.p. zużycie części) należy skontaktować się z punktem serwisowym – adresy punktów serwisowych znajdują się na karcie gwarancyjnej. Na końcu niniejszej instrukcji zamieszczony został schemat części zamiennych, które mogą być zamawiane.

Ochrona środowiska

Aby zapobiec uszkodzeniom w czasie transportu, urządzenie dostarczane jest w sztywnym opakowaniu składającym się głównie z materiałów nadających się do ponownego przetworzenia. Prosimy o skorzystanie z możliwości ponownego przetworzenia opakowania.



Uszkodzone oraz /lub wybrakowane urządzenie elektryczne lub elektroniczne musi być utylizowane w odpowiedni sposób.

Tylko dla krajów Komisji Europejskiej

Nie wolno wyrzucać elektronarzędzi do domowych śmietników. Zgodnie z Dyrektywą Europejską nr 2012/19/EU dotyczącą Utylizacji Wyposażenia Elektrycznego i Elektronicznego i jej wdrożeniem w krajowe prawo, nieużywane elektronarzędzia należy gromadzić oddzielnie i utylizować w sposób przyjazny dla środowiska.

Gwarancja

Proszę zapoznać się z warunkami umowy gwarancyjnej zamieszczonymi na załączonej karcie gwarancyjnej.

ШЛИФОВАЛЬНЫЙ СТАНОК 375W

Цифры, приведенные ниже в тексте, относятся к рисункам на стр.2 - 4



Перед началом работы с машиной внимательно прочтите данное руководство оператора. Убедитесь, что знаете, как работает машина и как с ней следует работать. Обслуживайте машину согласно инструкции и убеждайтесь, что она работает правильно. Храните это руководство оператора и остальную прилагаемую документацию недалеко от машины

Описание

В данной модели сочетаются преимущества ленточно-шлифовального станка горизонтальной и вертикальной компоновки с достоинствами дисковой шлифовальной машинки. Конструкция машины из чугуна и стали позволяет выполнение любых шлифовальных операций.

Содержание

1. Технические данные шлифмашинки
2. Инструкции по технике безопасности
3. Передначалом эксплуатации
4. Начало эксплуатации
5. Техническое обслуживание

1. Технические данные шлифмашинки

Технические данные

Напряжение	230 В~, 50 Hz
Потребляемая мощность	375 Вт
	S2= 30 min*
Шлифовальная лента число оборотов без нагрузки	276 м/мин
Шлифовальный круг число оборотов без нагрузки	1450 /мин
Размер шлифовальная лента	915 x 100 мм
Размер шлифовальный круг	Ø 150 мм
Масса	16.5 кг
Lpa (уровень шума)	79+3 дБ (A)
Lwa (уровень давления звука)	92+3 дБ (A)

*S2=Максимальная продолжительность работы с мощностью 375 Вт

Уровень вибрации

Уровень вибрации, указанный в конце данного руководства по эксплуатации был измерен в соответствии со стандартизированным испытанием, содержащимся в EN 60745; данная характеристика может использоваться для сравнения одного инструмента с другим, а также для предварительной оценки воздействия вибрации при использовании данного инструмента для указанных целей

- при использовании инструмента в других целях или с другими/неисправными вспомогательными приспособлениями уровень воздействия вибрации может значительно повышаться
- в периоды, когда инструмент отключен или функционирует без фактического выполнения работы, уровень воздействия вибрации может значительно снижаться

защищайте себя от воздействия вибрации, поддерживая инструмент и его вспомогательные приспособления в исправном состоянии, поддерживая руки в тепле, а также правильно организуя свой рабочий процесс

Перечень деталей

Рис. 1 + 6

1. Станина
2. Электродвигатель
3. Упор барабана и параллельного хода
4. Рукоятка зажима
5. Приводной барабан
6. Шлифовальная лента
7. Главный выключатель
8. Ограждение (упор)
9. Ведущий барабан
10. Алюминиевый диск
11. Шлифовальный круг
12. Стол
13. Угловая шкала
14. Опорный кронштейн

2. Инструкции по технике безопасности

В данной инструкции по использованию и/или на шлифмашинке применяются следующие символы:



Риск повреждения инструмента и/или травм, смерти в случае

несоблюдения инструкций данного руководства



Вероятность поражения электрическим током



Не позволяйте приближаться посторонним



Надевайте средства защиты органов слуха и зрения



Носите противопылевой респиратор.



Данное изделие соответствует применимым стандартам безопасности европейских директив.

Особые инструкции по технике безопасности

- Необходимо проверить следующее:
 - Соответствие напряжения станка напряжению в сети питания.
 - Сетевой шнур и штекерную вилку на отсутствие повреждений и надежность контактов.
- Из соображений функциональности вращающиеся узлы станка не имеют ограждений. Поэтому крайне важно соблюдать осторожность. Следует прочно удерживать обрабатываемую деталь и не позволять ей выскальзывать из рук. Запрещено касаться шлифовальных поверхностей работающего станка руками.
- Избегать применения удлинительного кабеля большой протяженности.

Перед началом работы на станке:

- Убедиться, что сетевой шнур не касается движущихся узлов станка.
- Надеть защитные очки.
- Надеть респиратор.

Немедленно отключать станок от сети в следующих случаях:

- Неисправна вилка, сетевой кабель или поврежден сетевой шнур.
- Неисправен выключатель.

- Появление дыма или запаха горелой изоляции.

Электробезопасность

При эксплуатации электрических машин всегда соблюдайте действующие правила техники безопасности для снижения риска пожара, поражения электрическим током и травм. Прочитайте настоящие требования, а также входящую в комплект инструкцию по технике безопасности. Храните инструкции в месте, обеспечивающем их сохранность!



Всегда убеждайтесь в том, что питание соответствует напряжению, указанному на заводской табличке.

Замена кабелей и штепсельных вилок

Если кабель питания поврежден, его необходимо заменить на специальный кабель питания, который можно приобрести у производителя или в службе сервисного обслуживания производителя. Немедленно выбросьте старый кабель и электровилку после замены их на новые. Опасно вставлять в розетку вилку неподсоединённого шнура.

Замена штекера питания (только для Великобритании)

В случае повреждения 3-контактного разъема питания его необходимо заменить на штекер с предохранителем с сертификатом BS 1363/13A с соблюдением инструкций по соединению.

Провода в кабеле питания кодированы по цвету следующим образом:

- синий без напряжения
- коричневый под напряжением

В силу того, что провода кабеля питания не могут соответствовать цветовым обозначением клемм разъема питания, действуйте следующим образом:

- Синий провод необходимо подсоединить к клемме, обозначенной буквой N или окрашенной в черный цвет.
- Коричневый провод необходимо подсоединить к клемме, обозначенной буквой L или окрашенной в красный цвет.

Применение удлинительных кабелей
Используйте только предназначенные для этой цели удлинительные кабели, рассчитанные

на питание машины. Минимальное сечение провода должно быть 1,5 мм². При использовании кабельной катушки всегда разматывайте катушку полностью.

3. Перед началом эксплуатации

Монтаж

Избегайте применения удлинительного кабеля чрезмерной длины. Оставить достаточно места вокруг станка для обрабатываемых деталей.

Сборка

- Поставить станину основанием вверх и установить 4 резиновых пробки в её опоры.
- Станина, алюминиевый диск (10) и стол (12) поставляются каждая в отдельной упаковке.
- Надеть алюминиевый диск на вал и закрепить его болтом под торцевой ключ в боковине диска (Рис.2 - 4).
- Поместить стол (12) с валом на станину и закрепить стол болтом в боковине станины. Угольником проверить точность угла 90° (между столом и шлифовальным кругом, Рис.5).
- При необходимости отрегулировать этот угол с помощью калибра.
- Угловая шкала (13), также поставляемая отдельно, монтируется на стол (12). По этой шкале можно точно определить угол заточки.
- Ограждение (8) станка монтируется за верхним болтом кожуха клинового ремня. Благодаря этому обрабатываемую деталь можно удерживать в плотном контакте с лентой, не нарушая техники безопасности.



Во избежание попадания обрабатываемой детали или ваших пальцев между столом (12) и шлифовальным кругом (11) зазор между ними не должен превышать 1,6 мм.

Выбор шлифовальной ленты

Крупной абразивной лентой (зерно 60) снимают основную часть материала, а мелкая (зерно 150) используется для чистовой обработки. Неровную поверхность сначала шлифуют крупнозернистой лентой до образования ровной поверхности. Затем применяется лента средней зернистости (зерно 100) для удаления царапин,

образованных лентой первого типа. Мелкая абразивная лента (зерно 150) используется для чистовой (финишной) обработки. Шлифование должно продолжаться до получения гладкой поверхности.

Установка шлифовальной ленты

Рис.6 - 9

Если встать со стороны шлифовального круга, абразивная лента будет перемещаться справа налево в верхней части станка. Следовательно, обрабатываемая деталь должна будет прижиматься к правой стороне ограждения. Стрелка на внутренней стороне указывает правильное направление хода шлифовальной ленты (см. рисунок). Если направление не указано, шлифовальную ленту следует надевать так, чтобы выпуклая часть соединительного шва смотрела по направлению хода ленты. Поэтому правильная установка шлифовальной ленты очень важна. В станке применяются стандартные шлифовальные ленты размером 100x915 мм (№7).

- Вынуть штекерную вилку из сетевой розетки.
- Перевести рукоятку зажима в крайнее правое положение для снятия натяжения приводных барабанов (Рис.1: 14)
- Надеть абразивную ленту на оба приводных барабана, начиная с тыльной стороны станка.
- Перевести рукоятку зажима в крайнее левое положение. Теперь шлифовальная лента должна быть полностью натянута.
- Повернуть приводной барабан точно под прямым углом к направлению движения шлифовальной ленты с помощью барашка и правого барабана. Направление хода ленты отрегулировано правильно, если боковые стороны шлифовальной ленты движутся параллельно опорной плите.

Шлифовальный круг

Для шлифовального круга применяются наждачные диски на бумажной основе или с тыльным покрытием типа "липучки". Стандартный диаметр - 150 мм. Диски самоприклеивающиеся.

Вертикальная установка шлифовальной ленты

В целях более универсального использования абразивной ленты, можно задействовать ее нижнюю сторону, т.к. там нет опорной плиты. Для облегчения доступа к этой стороне ленты ее можно установить вертикально:

- Гаечным рожковым ключом ослабить две гайки (1) на лицевой стороне станка около вала левого приводного барабана.
- Поднять шлифовальную ленту в нужное положение.
- Снова затянуть обе гайки (1).
- Обрабатываемая деталь теперь может опираться на стол, а не на шлифовальную ленту.
- Рабочий стол, используемый для шлифовального диска, теперь можно ввести с помощью вала в отверстие в станине в левой боковине станка.
- Затянуть болт на тыльной стороне станка.
- Стол теперь можно использовать в качестве опоры при шлифовании детали лентой.

4. Начало эксплуатации



Всегда стоят фронтальные к машине, чтобы всегда держать обзор (Рис. 1, A1+A2).

Включение/Выключение

- Включить шлифовальный станок, повернув выключатель в положение «1».
- Для выключения станка перевести тот же выключатель в положение «0».
- Сетевой шнур не должен касаться движущихся элементов машины.
- Не следует нажимать на обрабатываемую деталь, это лишь замедляет вращение шлифовального круга.

Шлифование

Шлифовальные лента и круг в комплекте с данным станком предназначены для обработки поверхностей из металлов, дерева и синтетических материалов. Во время шлифования обрабатываемая деталь должна прочно удерживаться.

Дополнительного нажима не требуется. Во избежание износа ленты и круга в одном месте, следует перемещать обрабатываемую деталь вперед-назад

по шлифовальной поверхности. Круглые предметы можно шлифовать на концах ленты. Крупногабаритные детали можно обрабатывать со снятым упором-ограничителем.

Примечание: Во избежание расщепления дерево всегда необходимо шлифовать вдоль волокон.

Для получения очень гладкой поверхности используется так называемый метод «вывода частиц на поверхность». Для этого смачивают уже отшлифованную поверхность тканью или губкой и дают ей полностью высохнуть. Древесные волокна набухают неравномерно, отчего образуется неровная (более шероховатая, чем раньше) поверхность. Теперь ее обрабатывают мелкозернистой лентой и получают в результате необыкновенно гладкую поверхность. Данный метод не годится, однако, для лакированного дерева, т.к. из-за влаги лак может отстать.

5. Техническое обслуживание



При выполнении работ по техническому обслуживанию двигателя убедитесь, что машина не находится под напряжением.

Машины фирмы Ferm созданы для работы в течении продолжительного промежутка времени при минимальном техническом обслуживании. Продолжительная удовлетворительная работа зависит от соответствующего ухода за машиной и регулярной очистки.

Возможные неисправности и их устранение

Ниже приведены возможные причины неисправностей станка и способы их устранения:

- **Перегревается электродвигатель.**
- Загрязнение вентиляционных отверстий двигателя.
 - *Прочистить вентиляционные отверстия.*
- Неисправен двигатель.
 - *Отремонтировать или проверить станок у местного дилера фирмы Ferm.*

- **Подключенный станок не работает.**
- Неисправности электропитания.
 - Проверить сетевой шнур на обрыв.
 - Отремонтировать или проверить станок у местного дилера фирмы FERM.



Регулярный уход за станком предупреждает возникновение неисправностей!

Чистка

Для чистки станка запрещается использовать воду или прочие вызывающие коррозию жидкости. Чистить станок рекомендуется щеткой. Во избежание перегрева электродвигателя регулярно прочищать вентиляционные отверстия в станке.

Смазка

Приводные барабаны машины не требуют смазки.

Неисправности

В случае неисправности, напр., после износа какой-либо части, обратитесь по адресу пункта обслуживания, указанному в гарантийном талоне. Покомпонентное представление изображения частей, которые можете заказать, вы найдете на последней странице руководства.

Защита окружающей среды

Во избежание транспортных повреждений изделие поставляется в прочной упаковке. Значительная часть материалов упаковки подлежит утилизации, поэтому просим передать упаковку в соответствующую специализированную организацию.



Неисправный и/или бракованный электрический или электронный прибор должен быть утилизирован должным образом.

Только для стран ЕС

Не выбрасывайте электроинструмент вместе с бытовым мусором. В соответствии с Европейским руководством 2012/19/EU по "Утилизации электрического и электронного оборудования" и национальными законодательными актами электроинструмент, который больше не используется, необходимо

собирать отдельно и утилизировать безопасным для окружающей среды образом.

Гарантия

Для ознакомления с условиями гарантии, прочитайте гарантийный талон на обороте этой инструкции по эксплуатации.

Гарантия

Условия гарантии вы найдёте в отдельно прилагаемом гарантийном талоне.

ΛΕΙΑΝΤΗΡΑΣ ΠΑΓΚΟΥ 375W

Οι αριθμοί στο παρακάτω κείμενο αναφέρονται στις εκκense τής σελίδας 2-4



Για την ασφάλειά σας αλλά και για την ασφάλεια των άλλων, σας παρακαλούμε να διαβάσετε προσεκτικά αυτές τις οδηγίες πριν χρησιμοποιήσετε το μηχάνημ αυτό. Αυτό θα σας βοηθήσει να κατανοήσετε πιο εύκολα το μηχάνημά σας και ν αποφύγετε τους άσκοπους κινδύνους. Φυλάξτε αυτό το εγχειρίδιο οδηγιών σε ένα ασφαλές μέρος για μελλοντική χρήση.

Περιγραφή

Το συγκεκριμένο μηχάνημα συνδυάζει φιλα τα πλεονεκτήματα του οριζίντιου και του κατακίριφου ταινιολειαντήρα με εκείνα του δίσκου λείανσης. Η στιβαρή κατασκευή του απί χυτοσίδηρο και χάλυβα καθιστά το μηχάνημα κατάλληλο για φίλες τις εργασίες λείανσης.

Περιεχομενα

1. Πληροφορίες μηχανήματος
2. Οδηγίες για την ασφάλεια
3. Προτογ θεσετε το μηχανημα σε λειτουργια
4. Εναρξη λειτουργιαστου μηχανηματος
5. Συντήρηση

1. ΠΛΗΡΟΦΟΡΙΕΣ ΜΗΧΑΝΗΜΑΤΟΣ

Τεχνικες προδιαγραφες

Τάση ρεύματος	230 V~, 50 Hz
Κατανάλωση ρεύματος	375 W
	S2= 30 min*
Ταινία λείανσης στροφές, χωρίς φορτίο	276 m/min
Δίσκος λείανσης στροφές, χωρίς φορτίο	1450 /min
Διαστάσεις ταινία λείανσης	915 x 100 mm
Διαστάσεις δίσκος λείανσης	150 mm
Βάρος	16.5 kg
Lpa (ηχητική πίεση)	79+3 dB(A)
Lwa (ηχητική ισχύς)	92+3 dB(A)

*S2=H μέγιστη χρονική περίοδος λειτουργίας, με ισχύ 375 W.

Επίπεδ κραδασμών

Το επίπεδο παραγωγής κραδασμών που αναγράφεται στ πίσω μέρος του παρόντος

εγχειριδίου οδηγιών έχει μετρηθεί σύμφωνα με μια τυποποιημένη δικιμή που αναφέρεται στο πρότυπο EN 60745 - μπορεί να χρησιμοποιηθεί για τη σύγκριση ενός εργαλείου με ένα άλλο, καθώς και ως προκαταρκτική αξιολόγηση της έκθεσης στους κραδασμούς όταν το εργαλείο χρησιμοποιείται για τις εφαρμογές που αναφέρονται

- η χρήση του εργαλείου για διαφορετικές εφαρμογές ή με διαφορετικά ή κακοσυντηρημένα εαρτήματα μπορεί να αυξήσει σημαντικά το επίπεδ έκθεσης
- όταν το εργαλείο είναι απενεργοποιημένο ή δυλεύει αλλά δεν εκτελεί την εργασία, το επίπεδο έκθεσης μπορεί να μειωθεί σημαντικά

! προστατευτείτε απο τις επιδράσεις των κραδασμών συντηρώντας σωστά το εργαλείο και τα εξαρτήματά του, διατηρώντας τα χέρια σας ζεστά και οργανώνοντας τον τρόπο εργασίας σας

Κατάλογος εξαρτημάτων

Εικ. 1 + 6

1. Πλαίσιο μηχανήματος
2. Κινητήρας
3. Αναστολέας κυλίνδρου και παράλληλος αναστολέας
4. Λαβή σύμπλεξης
5. Κύλινδρος μεταφοράς
6. Ταινία λείανσης
7. Κεντρικίς διακίπιπης
8. Ράχη
9. Κύλινδρος κίνησης
10. Δίσκος αλουμινίου
11. Δίσκος λείανσης
12. Βάση εργασίας
13. Ράχη με μοιρογνωμίνιο
14. Βραχίονας στήριξης

2. ΟΔΗΓΙΕΣ ΑΣΦΑΛΕΙΑΣ

Σ' αυτή το εγχειρίδιο και/ή στο μηχάνημα χρησιμοποιούνται τα ακίλουθα σύμβολα:



Επισημαίνει τον κίνδυνο πρόκλησης σωματικών βλαβών, θανάτου ή βλάβης στο μηχάνημα σε περίπτωση μη τήρησης των οδηγιών που αναγράφονται σε αυτό το εγχειρίδιο.



Επισημαίνει τον κίνδυνο ηλεκτροπληξίας.



Κρατήστε σε απόσταση τους παρευρισκόμενους



Φοράτε γυαλιά ασφαλείας και ωτοασπίδες



Φορέσατε μία μάσκα προστασίας από την σκόνη



Το προϊόν συμμορφώνεται με τα εφαρμοσίμα πρότυπα ασφαλείας στις Ευρωπαϊκές Οδηγίες.

Ειδικοί κανονες ασφαλείας

- Θα πρέπει να ελέγξετε τα παρακάτω σημεία:
 - Η ονομαστική τιμή της τάσης του μηχανήματος πρέπει να αντιστοιχεί με την τάση του δικτύου.
 - Το καλώδιο τροφοδοσίας και ο ρευματολήπτης (φίς) θα πρέπει να είναι σε καλή κατάσταση, άθικτα, χωρίς κλίμπους και φθορές.
- Τα περιστρεφόμενα μέρη του μηχανήματος δεν είναι καλυμμένα για λίγους λειτουργικότητας. Συνεπώς, είναι πολύ σημαντική να είστε προσεκτικοί. Να κρατάτε καλά το κομμάτι στο οποίο εργάζεστε, ώστε να μην σας φύγει απτί τα χέρια. Ποτέ μην ακουμπήσετε με τα χέρια σας τις επιφάνειες λείανσης του μηχανήματος, ενφίσω αυτί βρίσκεται σε λειτουργία.
- Αποφύγετε τη χρήση μακρών καλωδίων προέκτασης.

Πριν απο τη χρήση του μηχανηματος:

- Να κρατάτε το καλώδιο ρεύματος μακριά απτί τα κινούμενα μέρη του μηχανήματος.
- Να φοράτε προστατευτικά γυαλιά.
- Να φοράτε μάσκα για τη σκίνην.

Θεστε αμεσως το μηχανημα εκτος λειτουργιας εαν:

- Παρουσιαστεί πρόβλημα στον ρευματολήπτη (φίς) ή στο καλώδιο τροφοδοσίας ή βλάβη στο καλώδιο τροφοδοσίας.
- ο διακίπτης είναι ελαττωματικός.
- Δείτε να βγαίνει καπνός ή αντιληφθείτε οσμές απτί καμένα μονωτικά υλικά.

Ηλεκτρική ασφάλεια.

Όταν χρησιμοποιείτε ηλεκτρικά εργαλεία να τηρείτε πάντα τους κανόνες ασφαλείας που ισχύουν στη χώρα σας, για να περιορίσετε τον κίνδυνο πυρκαγιάς, ηλεκτροπληξίας και τραυματισμού. Διαβάστε τις εσωκλειόμενες οδηγίες ασφαλείας. Φυλάξτε αυτές τις οδηγίες σε ασφαλές μέρος.



Να ελέγχετε πάντα αν η τροφοδοσία ηλεκτρικού ρεύματος αντιστοιχεί στην ηλεκτρική τάση που αναγράφεται στην πινακίδα τεχνικών στοιχείων του μηχανήματος.

Αντικατάσταση καλωδίου ή φίς.

Πετάξτε αμέσως το πλιφι καλώδιο ή φίς, αφού τα αντικαταστήσετε με καινούργιο. Είναι επικίνδυνο να βάλετε στην πρίζα το φίς ενφίς κομμένου καλωδίου.

Αντικατάσταση φίς ρευματολήπτης (Ην. Βασίλειο μόνο)

Αν έχετε υποστεί ζημιά το χυτό 3-πολικό φίς που είναι συνδεδεμένο στη μονάδα και χρειάζεται αντικατάσταση, είναι σημαντικό να καταστραφεί σωστά το φίς και να αντικατασταθεί από φίς εγκεκριμένο κατά BS1363 με ασφάλεια 13 Α και να τηρηθούν οι παρακάτω οδηγίες σύνδεσης. Οι αγωγοί στο καλώδιο ρεύματος δικτύου είναι χρωματισμένοι σύμφωνα με τον ακόλουθο κώδικα:

- μπλε ουδέτερος
- καφέ φάση

Επειδή τα χρώματα των αγωγών στο καλώδιο ρεύματος δικτύου της μονάδας μπορεί να μην αντιστοιχούν με τις έγχρωμες ενδείξεις που χαρακτηρίζουν τους ακροδέκτες στο φίς, ενεργήστε ως εξής:

- Ο αγωγός με μπλε χρώμα πρέπει να συνδεθεί στον ακροδέκτη που φέρει σήμανση με γράμμα Ν ή έχει μαύρο χρώμα.
- Ο αγωγός με καφέ χρώμα πρέπει να συνδεθεί στον ακροδέκτη που φέρει σήμανση με γράμμα L ή έχει κόκκινο χρώμα.

Χρήση μπαλαντέζας

Χρησιμοποιήστε μόνο εγκεκριμένο καλώδιο, κατάλληλο για την ισχύ εισόδου του μηχανήματος. Το ελάχιστο μέγεθος αγωγού

είναι 1,5 mm. Όταν χρησιμοποιείτε μπαλαντέζα σε καρούλα, να ξετυλίγετε τελείως την καρούλα.

της βάσης εργασίας (12) και του δίσκου λείανσης (11), η απόσταση μεταξύ της βάσης εργασίας (12) και του δίσκου λείανσης (11) δεν πρέπει να υπερβαίνει τα 1,6 mm.

3. ΠΡΟΤΟΥ ΘΕΣΕΤΕ ΤΟ ΜΗΧΑΝΗΜΑ ΣΕ ΛΕΙΤΟΥΡΓΙΑ

Εγκατάσταση

Αποφύγετε τη χρήση μακριών καλωδίων προέκτασης. Μην ξεχάσετε να αφήσετε επαρκή ελεύθερο χώρο γύρω απfi το μηχάνημα, προκειμένου να μπορέσετε να χειριστείτε τα κομμάτια που θέλετε να λείανετε.

Συναρμολογηση

- Τοποθετήστε το πλαίσιο του μηχανήματος επάνω στην κεφαλή και πιέστε τους τέσσερις ελαστικούς αναστολείς μέσα στο πέλμα του πλαισίου.
- Το πλαίσιο μηχανήματος, ο δίσκος αλουμινίου (10) και η βάση εργασίας (12) παραδίδονται σε ξεχωριστή συσκευασία.
- Πιέστε το δίσκο αλουμινίου επάνω στον άξονα και στερεώστε τον χρησιμοποιώντας το μπουλνι άλλεν που υπάρχει στο πλάι του δίσκου (Εικ.2 - 4).
- Τοποθετήστε τη βάση εργασίας (12), με τον άξονα μέσα στο πλαίσιο του μηχανήματος, και στερεώστε τη χρησιμοποιώντας το μπουλνι που υπάρχει στο πλάι του πλαισίου του μηχανήματος. Χρησιμοποιήστε μια γωνία 90° για να βεβαιωθείτε fi η γωνία που σχηματίζει η βάση εργασίας με το δίσκο λείανσης είναι ακριβώς 90° (Εικ.5).
- Εάν χρειάζεται, ρυθμίστε τη γωνία χρησιμοποιώντας τις ενδείξεις βαθμονόμησης.
- Επάνω στη βάση εργασίας (13) μπορείτε να τοποθετήσετε τη ράχη με το μοιρογνwfμfνιο (13), η οποία παραδίδεται επίσης ξεχωριστά. Χρησιμοποιώντας τη ράχη με το μοιρογνwfμfνιο, μπορείτε να καθορίσετε με ακρίβεια τη γωνία λείανσης.
- Μπορείτε να τοποθετήσετε τη ράχη (8) του ταινιολειαντήρα πίσω απfi το ανώτερο μπουλνι του προστατευτικού καλύμματος του τραπεζοειδούς fμfντα. Με αυtfν τον τρfπιτο μπορείτε να στερεώσετε καλά το κομμάτι που κατεργάζεστε επάνω στην ταινία λείανσης, χωρίς να διατρέχετε κίνδυνο.

Η επιλογή του γυαλμοχαρτου

Μπορείτε να χρησιμοποιήσετε χοντρή γυαλfiχαρτο (P 60) για γενικές εργασίες λείανσης και, στη συνέχεια, να χρησιμοποιήσετε ψιλή γυαλfiχαρτο (P 150) για το φινιρίσμα. Οι ανώμαλες επιφάνειες θα πρέπει να λειαίνονται αρχικά με χοντρή γυαλfiχαρτο έως fiτου γίνονται ομαλές. Στη συνέχεια, μπορείτε να χρησιμοποιήσετε γυαλfiχαρτο μέτριας τραχύτητας (P 100) για να αφαιρέσετε τα ίχνη που άφησε ο πρώτος τύπος γυαλfiχαρτου. Για το φινιρίσμα χρησιμοποιήστε ψιλή γυαλfiχαρτο (P 150). Η λείανση θα πρέπει να συνεχίζεται έως fiτου γίνει ομαλή η επιφάνεια.

Τοποθετηση του γυαλμοχαρτου

Εικ.6 - 9

Όταν ο δίσκος λείανσης είναι στραμμένος προς το μέρος σας, η ταινία λείανσης στο επάνω τμήμα του μηχανήματος κινείται απfi τα δεξιά προς τα αριστερά. Λίγω αυτής της περιστροφής, το κομμάτι θα πιεστεί επάνω στην δεξιά πλευρά της ράχης. Το βέλος που υπάρχει στο εσωτερική υποδεικνύει τη σωστή φορά περιστροφής της ταινίας λείανσης (βλέπε σχέδιο). Εάν δεν υποδεικνύεται η φορά περιστροφής, fτις η ταινία λείανσης θα πρέπει να τοποθετηθεί έτσι ώστε η πλευρά της ραφής που προεξέχει να είναι στραμμένη προς την κατεύθυνση που κινείται η ταινία. Επομένως, είναι πολύ σημαντική να τοποθετηθεί σωστά η ταινία λείανσης. Το μηχάνημα χρησιμοποιεί τυποποιημένες ταινίες λείανσης, με διαστάσεις 100 x 915 (αρ. 7):

- Αποσυνδέστε το ρευματολήπτη (φικ) απfi την πρίζα,
- Πιέστε τη λαβή σύμπλεξης εντελώς προς τα δεξιά για να εκτονώσετε τους κυλίνδρους μεταφοράς (Εικ.1: 14).
- Πιέστε την ταινία λείανσης κατά μήκος των κυλίνδρων μεταφοράς, ξεκινώντας απfi το πίσω μέρος του μηχανήματος,
- Πιέστε τη λαβή σύμπλεξης εντελώς προς τα αριστερά. Μετά απfi αυτή, η ταινία λείανσης θα πρέπει να είναι εντελώς τεντωμένη.
- Στρέψτε τον κύλινδρο μεταφοράς υπfi ορθή



Για να αποφύγετε τον εγκλωβισμό του κομματιού ή των δακτύλων σας μεταξύ

γωνία, ως προς την κατεύθυνση της ταινίας πεταλούδα, χρησιμοποιώντας το παξιμάδι-πεταλούδα που υπάρχει στον δεξί κύλινδρο. Η κατεύθυνση κίνησης της ταινίας λείανσης είναι σωστά ρυθμισμένη εάν οι πλευρές της ταινίας κινούνται παράλληλα προς την πλάκα των ρουλεμάν.

Ο δίσκος λείανσης

Στο δίσκο λείανσης μπορείτε να χρησιμοποιήσετε δίσκους απτί χαρτί ή “velcro”. Η κανονική διάμετρος είναι 150 mm. Οι δίσκοι είναι αυτοκίλλητοι.

Κατακορυφή τοποθέτηση της ταινίας λείανσης

Η απουσία πλάκας ρουλεμάν δίνει μεγαλύτερη ευελιξία στην ταινία λείανσης, γεγονός που σας δίνει τη δυνατότητα να χρησιμοποιήσετε την κάτω πλευρά της. Για εύκολη πρόσβαση στην κάτω πλευρά της ταινίας λείανσης, μπορείτε να την τοποθετήσετε σε κατακίρυφη θέση:

- Ξεσφίξτε τα δύο παξιμάδια που υπάρχουν στο εμπρός μέρος του μηχανήματος λείανσης, γύρω απτί τον άξονα του αριστερού κυλίνδρου μεταφοράς, χρησιμοποιώντας ένα γερμανική κλειδί.
- Πιέστε την ταινία λείανσης έως το σημείο που επιθυμείτε.
- Σφίξτε και πάλι τα δύο παξιμάδια.
- Τώρα μπορείτε να στηρίξετε το κομμάτι που κατεργάζεστε επάνω στη βάση εργασίας και fixη στην ταινία λείανσης.
- Με αυτήν τον τρόπο, μπορείτε να τοποθετήσετε τη βάση εργασίας του δίσκου λείανσης, μαζί με τον άξονά της, μέσα στην οπή του πλαισίου που υπάρχει στην αριστερή πλευρά του μηχανήματος λείανσης.
- Σφίξτε το μπουλνί που υπάρχει στην πίσω πλευρά του μηχανήματος.
- Μπορείτε πλέον να χρησιμοποιήσετε τη βάση εργασίας για να στηρίξετε το κομμάτι επάνω στην ταινία λείανσης.

4. ΕΝΑΡΞΗ ΛΕΙΤΟΥΡΓΙΑΣ ΤΟΥ ΜΗΧΑΝΗΜΑΤΟΣ



Πάντα να σταθεί μετωπική στη μηχανή, ώστε να κρατούν πάντα τη γενική εικόνα (θ.Ε.1, A1+A2).

Ενεργοποίηση Ον/Απενεργοποίηση Off

- Για να θέσετε το μηχάνημα λείανσης σε

λειτουργία πιέστε το διακίπτη προς τη θέση ‘1’.

- Για να διακίψετε τη λειτουργία του μηχανήματος, πιέστε τον ίδιο διακίπτη προς τη θέση ‘0’.
- Να κρατάτε το καλώδιο ρεύματος μακριά απτί τα κινούμενα μέρη του μηχανήματος.
- Δεν υπάρχει λήγος να ασκείτε πίεση στο κομμάτι που θέλετε να λειάνετε, καθώς κάτι τέτοιο θα προκαλέσει μφινον την επιβράδυνση του δίσκου λείανσης.

Λειτουργία λείανσης

Η ταινία και ο δίσκος λείανσης που συνοδεύουν το συγκεκριμένο μηχάνημα είναι κατάλληλοι για λείανση επιφανειών απτί μέταλλο, ξύλο ή συνθετικά υλικά. Κατά τη διάρκεια της λείανσης θα πρέπει να συγκρατείτε καλά το κομμάτι στο οποίο εργάζεστε. Δεν χρειάζεται η εφαρμογή επιπλέον πίεσης. Για να αποφύγετε την ανομοιόμορφη φθορά της ταινίας ή του δίσκου λείανσης θα πρέπει να μετακινείτε το κομμάτι επάνω-κάτω. Μπορείτε να λειάνετε τα στρογγυλά αντικείμενα στις άκρες της ταινίας λείανσης. Για να λειάνετε κομμάτια που έχουν μεγαλύτερο μήκος απτί το μηχάνημα λείανσης μπορείτε να αφαιρέσετε τη ράχη.

Σημείωση: Για να απύγετε την εκτευσή σκλήθρων, η λείανση του ύλου θα πρέπει να γίνεται παράλληλα με τα νερά τυ.

Για να κατεργαστείτε πολύ μαλακές επιφάνειες, υπάρχει μια πολύ πρακτική μέθοδος προετοιμασίας της επιφάνειας’. Θα πρέπει να κάνετε τα εξής: υγράνετε την επιφάνεια που έχετε ήδη λειάνει, χρησιμοποιώντας ένα πανί ή ένα σφουγγάρι και αφήστε την να στεγνώσει εντελώς. Κάποιες ίνες του ξύλου θα διογκωθούν περισσότερο απτί τις υπίλοιπες, με αποτέλεσμα η επιφάνεια να γίνει τραχύτερη απτί fi, τι ήταν. Πλέον θα μπορείτε να κατεργαστείτε αυτές τις ανωμαλίες με ψιλfi γυαλfiχαρτο. Το αποτέλεσμα είναι μια εκπληκτικά λεία επιφάνεια. Ωστόσο, αυτή η μέθοδος είναι ακατάλληλη για λείανση βερνικωμένων ξύλων, διτί η υγρασία ενδέχεται να αποκολλήσει το βερνίκι.

5. ΣΥΝΤΗΡΗΣΗ



Φροντίστε να μην είναι το μηχάνημα στην πρίζα, όταν κάνετε εργασία συντήρησης στο μοτέρ.

Τα εργαλεία της Ferm έχουν σχεδιαστεί να λειτουργούν για μεγάλες χρονικές περιόδους με ελάχιστη συντήρηση. Η συνεχής ικανοποιητική λειτουργία εξαρτάται από τη σωστή συντήρηση του μηχανήματος και το τακτικό καθαρίσμα.

Βλαβες

Εάν το μηχάνημα δεν λειτουργεί ή ίσως θα έπρεπε, ακολουθούν κάποιες πιθανές αιτίες του προβλήματος, καθώς και οι αντίστοιχες λύσεις:

- **Ο ηλεκτροκινητήρας θερμαίνεται υπερβολικά.**
- Τα ανοίγματα για τον αέρα ψύξης στον κινητήρα έχουν φραχθεί από ρύπους.
 - Καθαρίστε τα ανοίγματα για τον αέρα ψύξης.
- Ο κινητήρας είναι ελαττωματικός.
 - Αναθέστε τον έλεγχο ή την επισκευή του μηχανήματος λείανσης στην πλησιέστερη αντιπροσωπία της Ferm.
- **Το μηχάνημα δεν λειτουργεί αν και έχει συνδεθεί στην πρίζα.**
- Ασυνέχεια της σύνδεσης με την πρίζα.
 - Ελέγξτε το καλώδιο τροφοδοσίας για ασυνέχειες και τομές. Αναθέστε τον έλεγχο ή την επισκευή του μηχανήματος λείανσης στην πλησιέστερη αντιπροσωπία της Ferm.



Η περιοδική συντήρηση του ταινιολειαντήρα θα αποτρεψει την εμφάνιση ασκοπων βλαβων!

Καθαρισμός

Μην χρησιμοποιείτε ποτέ νεφρί ή δραστικά υγρά για τον καθαρισμό του μηχανήματος. Καθαρίστε το μηχάνημα βουρτσίζοντάς το. Να διατηρείτε καθαρές τις εγχοπές εξαερισμού του μηχανήματος, προκειμένου να αποφύγετε την υπερθέρμανση του κινητήρα.

Λίπανση

Δεν υπάρχει ανάγκη λίπανσης των κυλίνδρων μεταφοράς του μηχανήματος.

Βλαβες

Εάν προκύψει κάποια βλάβη π.χ. λήγω της φθοράς κάποιου εξαρτήματος, παρακαλούμε επικοινωνήστε με το Κέντρο επισκευών που αναγράφεται στην κάρτα εγγύησης. Στο

πίσω μέρος αυτού του εγχειριδίου υπάρχει ένα αναπτυγμένο διάγραμμα, στο οποίο παρουσιάζονται τα εξαρτήματα που μπορείτε να παραγγείλετε.

Περιβάλλον

Για να μην πάθει ζημιά το μηχάνημα κατά τη μεταφορά, παραδίδεται μέσα σε κλειστή συσκευασία. Τα περισσότερα από τα υλικά συσκευασίας μπορούν να ανακυκλωθούν. Πήγαινετε αυτά τα υλικά στα κατάλληλα σημεία ανκύκλωσης.



Ελαττωματικά και / ή απορριμμένα ηλεκτρικά ή ηλεκτρονικά αντικείμενα πρέπει να συλλέγονται στις κατάλληλες τοποθεσίες ανακύκλωσης.

Μόνο για χώρες της ΕΕ

Μην απορρίπτετε ηλεκτρικά εργαλεία στα οικιακά απόβλητα. Σύμφωνα με την Ευρωπαϊκή Οδηγία 2012/19/EU για Απορριπτόμενο Ηλεκτρικό και Ηλεκτρονικό Εξοπλισμό και την εφαρμογή της στο εθνικό δίκαιο, τα ηλεκτρικά εργαλεία που έχουν παύσει να είναι χρησιμοποιήσιμα πρέπει να συλλέγονται ξεχωριστά και να απορρίπτονται με τρόπο φιλικό προς το περιβάλλον.

Εγγυηση

Οι φίροι εγγύησης αναγράφονται στην εσωκλειμενη κάρτα εγγύησης που διατίθεται ξεχωριστά.

СТОЛНА КОМБИНИРАНА БРУСИЛКА 375W

Благодариме за купувањето на овој FERM производ.

Со тоа имате одличен производ, испорачан од еден од водечките добавувачи во Европа. Сите производи доставени од страна на FERM се произведени според највисоките стандарди на перформанси и безбедност. Како дел од нашата филозофија обезбедуваме одлична услуга за клиентите, со врвна сеопфатна гаранција.

Се надеваме дека ќе уживате користејќи го овој производ многу наредни години.

Броевите во текстот се однесуваат на цртежите на стр. 2-4



Внимателно прочитајте ги упатствата за работа пред да го користите уредот. Запознајте се со функциите и основните операции. Сервисирајте го уредот според инструкциите, за да се осигурате дека секогаш правилно ќе функционира. Упатствата за ракување и придружната документација треба да се чуваат во близина на уредот.

Опис

Оваа машина ги комбинира сите предности од хоризонтална и вертикална трачна брусилка со оние на брусилка со диск. Силната конструкција од сив лив и челик ја прави машината погодна за секоја работа со брусење.

Содржина:

1. Технички карактеристики
2. Безбедносни упатства
3. Пред пуштање во работа
4. Пуштање во работа
5. Одржување

1. Технички карактеристики

Податоци за машината

Напон	230 V, 50 Hz
Влезна моќност	375 W
	$S_2 = 30 \text{ min}^*$
Брзина без оптеретување на трачна брусилка	276 m/min
Брзина без оптеретување на брусен диск	1450 /min
Големина на брусна лента	915 X 100 mm
Големина на брусен диск	Ø 150 mm
Тежина	16.5 kg
Lpa (Ниво на звучен притисок)	79+3 dB(A)
Lwa (Ниво на звучна моќност)	92+3 dB(A)

**S2= Максимално време на користење со капацитет од 375 W*

Ниво на вибрации

Нивото на емисијата на вибрациите, наведено во упатството, е измерено во согласност со стандардизиран тест даден во EN 60745; тој може да се користи за споредување на еден алат со друг како и за прелиминарна процена на изложеност на вибрации при користење на алатот во споменатите апликации

- користењето на алатот за различни апликации или со различни или слабо одржуван прибор, може значително да го зголеми нивото на изложеност!
- времето кога алатот е исклучен или кога работи, но не ја врши работата, може значително да го намали нивото на изложеност

Заштитете се од ефектите на вибрациите со одржување на алатот и приборот, рацете да ви бидат топли и организирајте ги работните навики.

Листа на делови

Сл.1 + 6

1. Рамка на машината
2. Мотор
3. Валчест и паралелен граничник
4. Рачка за стегане
5. Транспортен валјак
6. Брусна лента
7. On/off прекинувач
8. Граничник
9. Валјак за отклонување
10. Алуминиуски диск

11. Брусен диск
12. Работна маса
13. Скала за косо сечење
14. Рамка за потпирање

2. Безбедносни упатства

Објаснување на симболите



Означува ризик од повреда, губење на живот или оштетување на алатот во случај на непочитување на упатствата.



Укажува на опасност од струен удар.



Носете заштитна маска за очи и уши



носат маска прашина



Присутните лица да стојат подалеку



Производот е во согласност со важечките стандарди за безбедност во Европските смерници.

Посебни безбедносни упатства

- Следните точки треба да се проверат
 - Приклучниот напон на машината треба да одговара со главниот напон.
 - Дали се кабелот и приклучокот во добра состојба: цврсти, без лабави завршетоци или оштетување.
- Од функционални причини, вртливите делови од машината не се покриени. Затоа е важно да бидете внимателни. Држете го парчето цврсто, за не се лизне од вашите раце. Никогаш со рацете не ги допирајте брусните површини на машината.
- Избегнувајте користење на долги продолжни кабли.

Пред работење со машината:

- Чувајте го кабелот подалеку од подвижните делови на машината.
- Носете заштитни очила.
- Носете маска за заштита од прашина.

Електрична безбедност

При користење на електрични машини почитувајте ги безбедносните правила во вашата земја, за да го намалите ризикот од пожар, струен удар и повреди. Прочитајте ги следните безбедносни упатства и приложените безбедносни упатства.



Секогаш проверувајте дали напонот на напојувањето одговара на наведениот напон на плочката.

Замена на кабли или приклучници

Веднаш да ги фрлите старите кабли или приклучници, кога ќе ги замените со нови. Опасно е да ја вклучите приклучницата ако кабелот е лабав.

Замена на мрежен приклучок (само за ВБ)

Ако 3-полниот приклучок приклучен во единицата е оштетен и треба да се замени, важно е прописно да се уништи и да се замени со одобрен од страна на BS 1363/13A осигурителен приклучок и дека се запазени следните упатства за ожичување. Жиците во мрежниот кабел се обоени во согласност со следниов код:

- сина неутрална
- кафеава жива

Бидејќи боите на жиците во мрежниот кабел не одговараат на обоените ознаки за идентификација на терминалите во приклучокот, постапете на следниот начин:

- Жицата со сина боја мора да се поврзе со терминалот што е означен со буквата N или е со црна боја.
- Жицата со кафеава боја да се поврзе со терминалот што е означен со буквата L или е со црвена боја.

Користете продолжни кабли

Користете само одобрени продолжни кабли погодни за влезната моќност на машината. Најмал попречен пресек е 1,5 mm². Кога се користи кабел во ролна, секогаш целосно да го одмотате.

Веднаш исклучете ја машината ако:

- Прекумерна искра на јаглените четкички и горење на прстенот во колекторот.
- Има прекин на главна приклучница, главен кабел или оштетен на главен кабел.
- Дефектен прекинувач
- Има чад или смрдеа од изгорена изолација

3. Пред пуштање во работа

Поставување

Избегнувајте користење на долги продолжни кабли. Не заборавете да оставите доволно слободен простор околу машината за брасуње на работното парче.

Монтажа

- Ставете ја рамката на машината во нејзината глава и притиснете ги четирите гумени граничници во подножјето од рамката.
- Рамката на машината, алуминиумскиот диск (10) и работната маса (12) се испорачани во одделно пакување.
- Притиснете го алуминиумскиот диск на вратилото и стегнете го дискот со помош на имбус завртки од страна на дискот (сл. 2-4).
- Поставете ја работната маса (12) со вратилото во рамката на машината и обезбедете ја со завртки, од надворешната страна од рамката.
- Проверете го отклонот од 90° на работната маса и на брусниот дискот, дали е точно 90° (сл. 5).
- Ако е потребно, дотерајте го овој агол, со индикатор за калибрација.
- Скалата за косо сечење (13), која исто така се испорачува посебно, може да се постави врз работната маса (12).
- Со користење на оваа скала, може прецизно да се одреди аголот на брусење.
- Потпирачот (8) за трачна брусилка може да се постави зад горните завртка на браникот на V-ременот. На овој начин, работното парче може цврсто да стои во однос на лентата, без големи опасности.



За да се спречи прикљештување на работното парче или вашите прсти помеѓу работната маса (12) и брусниот диск (11), просторот помеѓу работната маса (12) и дискот (11) не смее да е поголем од 1,6 mm.

Избор на брусна хартија

Со крупна брусна хартија (P 60), генерално, може да се отстрани поголем дел од материјалот, потоа со фина брусна хартија (P 150) да се изведе завршно брусење. Нерамните површини прво се третираат со крупна брусна хартија и се брусат додека не се порамнат. Средната брусна хартија (P 100) се користи за отстранување на гребнатини предизвикани од страна на претходниот тип на брусна хартија. Фината брусна хартија (P 150) се користи за завршна обработка. Брусењето се изведува додека површината не стане мазна.

Поставување на брусна хартија

Сл. 6 - 9

Кога машината за брусење е поставена така дискот да се врти кон вас, брусната лента се движи од десно кон лево, по должина на горниот дел од машината. Поради оваа насока на вртење, работното парче ќе биде притиснато врз десната страна на потпирачот. На внатрешната стрелка се покажува вистинската насока на движење на брусната лента (види цртеж). Ако не е индицирана насоката, брусната лента треба да се постави така подигнатиот дел од работ да се наоѓа во насоката на движењето на лентата. Затоа е многу важно брусната лента да е поставена во правилна насока. Машината користи стандардни 100 x 915 mm брусни ленти (бр 7):

- Извлечете го кабелот од струја.
- Притиснете ја рачката за стегање на десно, до крај, за да се затегнат транспортните валци (сл. 1:14): 14).
- Притиснете ја брусната лента по должина на двата транспортни валци, почнувајќи од задната страна од машината.
- Притиснете ја рачката за стегање на лево, до крај. Брусната лента е затегната.
- Вртете го транспортниот валјак точно под прав агол во насока на брусната лента, со помош на крилестата навртка на десниот валјак. Насока на движењето на лентата е точно дотерана ако страните на лентата е движат паралелно со плочата.

Брусен диск

Хартија или „velcro“ плочи се користат за брусен диск. Стандарден пречник е 150 mm. Плочите се самолепливи.

Вертикално поставување на брусна хартија

За поголема флексибилност на брусната хартија таа може да се користи од долната страна, зашто таму не се наоѓа вртлива плоча. За лесно приоѓање до долната страна, брусната лента може да се постави во вертикална положба.

- Одртете ги двете навртки од предната страна на машината, околу вретеното на левиот валјак, со помош на клуч.
- Притиснете ја брусната лента во сакана положба.
- Стегнете ги двете завртки.
- Работното парче сега може да се постави врз работната површина, наместо врз брусната лента;
- Работната маса, која се користи за брусен диск, сега може да се турне со вратилото во отворот од рамката, од левата страна од машината.
- Стегнете ги завртките од задната страна на машината.
- Работната маса сега може да се користи како потпирач на парчето кое се бруси со брусна лентата.

4. Пуштање во работа



Секогаш да стоите пред машината, така да имате добар преглед (сл. 1, A1 + A2).

Вклучување и исклучување

- Притиснете го прекинувачот во положба „1“, за да ја вклучите машината.
- За исклучување на машината, притиснете го истиот прекинувач во положба „0“.
- Чувајте го кабелот подалеку од подвижните делови на машината.
- Не треба да се притиска работното парче, зашто тоа само ја забавува брзината на дискот за брусење.

Брусење

Брусната лента, испорачана со машината за брусење, е погодна за брусење на метал, дрво или синтетички површини. Работното парче секогаш цврсто да се придржува додека се бруси. Не е потребен дополнителен притисок. Водете го работното парче нагоре и надолу преку брусната лента, за да се избегне трошење на лентата и плочата само на едно

место. Кружни предмети можат да се брусат на крајот на брусната лента. Работа парчиња кои се подолги од машината, можат да се брусат со отстранување на потпирачот.

Напомена: За да се спречи поткршување, дрвото секогаш да се бруси по должина на влакната.

За обработка на многу мекани површини, постои многу корисен метод, да се „направат нерамни делови на површината“. Ова се прави на следниот начин: влажна, што туку избрусена површина се навлажнува со крпа или сунѓер и добро нека се исуши. Некои дрвени влакна ќе се надујат повеќе од другите, што доведува до огрубување на површината. Сега се третираат високите делови, со помош на фина брусна хартија, а резултатот е неверојатно мазна површина. Овој метод не треба да се применува кај лакирано дрво, зашто може да се изгуби лакот поради влагата.

5. Одржување



Уверете се дека машината е исклучена кога го одржувате моторот.

Оваа машина е конструирана да работи долг период со минимално одржување. Непрекинатото успешно работење зависи од грижата на машината и редовното чистење.

Дефект

Подолу наведоме голем број на причини и соодветните решенија ако машината не функционира како што треба:

Електромоторот станува жежок

- Жлебовите за вентилација на моторот се затнати со нечистотија.
 - *Исчистете ги жлебовите за вентилација.*
- Моторот е дефектен..
 - *Однесете ја машината на поправање/ проверете ја кај вашиот локален продавач.*

Приклучена машина не работи.

- Прекинато главно напојување
 - Проверете го главниот приклучок да не е скршен.
Однете ја машината на поправање/ проверете ја кај вашиот локален продавач.



Периодичното одржување на брусилката е превенција од неочекувани проблеми!

Чистење

За чистење на машината никогаш да не користите вода или агресивни течности . Исчистете ја машината со четка. Чистете ги отворите за вентилација за да се спречи прегревање на моторот.

Подмачкување

Не е потребно подмачкување на транспортните валци.

Откази

Ако се случи отказ, нпр. поради трошење на дел, обратете се на адресата на сервисот од гарантната картичка. На позадината на упатството ќе најдете експозиционен преглед со прикажани делови кои можат да се нарачаат.

Животна средина

За да се спречи оштетување за време на транспортот, уредот се испорачува во тврдо пакување кое се состои од материјал за еднократна употреба. Затоа ве молиме да ги користите опциите за рециклирање на амбалажата.



Дефектни и/или отфрлени електрични или електронски апарати треба да се собираат на соодветни локации за рециклирање.

Само за земји од ЕУ

Не ги депонирајте алатите во домашен отпад. Според Европското Упатство 2012/19/ ЕУ за отпадна електрична и електронска опрема и неговата имплементација во националното право, електричните алати кои веќе не се употребливи мораат да се собираат одделно и да се отстрануваат на еколошки начин.

Гаранција

За гарантните услови прочитајте ја гарантната картичка во задниот дел од упатството. Производот и упатството се предмет на промена. Карактеристиките можат да се променат без натамошно известување.



DECLARATION OF CONFORMITY

BGM1003 BELT AND DISC SANDER

- (EN) We declare under our sole responsibility that this product is in conformity with directive 2011/65/EU of the European parliament and of the council of 9 June on the restriction of the use of certain hazardous substances in electrical and electronic equipment is in conformity and accordance with the following standards and regulations:
- (DE) Der Hersteller erklärt eigenverantwortlich, dass dieses Produkt der Direktive 2011/65/UE des Europäischen Parlaments und des Rats vom 8. Juni 2011 über die Einschränkung der Anwendung von bestimmten gefährlichen Stoffen in elektrischen und elektronischen Geräten entspricht. den folgenden Standards und Vorschriften entspricht:
- (NL) Wij verklaren onder onze volledige verantwoordelijkheid dat dit product voldoet aan de conform Richtlijn 2011/65/EU van het Europees Parlement en de Raad van 8 juni 2011 betreffende beperking van het gebruik van bepaalde gevaarlijke stoffen in elektrische en elektronische apparatuur en in overeenstemming is met de volgende standaard en reguleringen:
- (FR) Nous déclarons sous notre seule responsabilité que ce produit est conforme aux standards et directives suivants: est conforme à la Directive 2011/65/UE du Parlement Européen et du Conseil du 8 juin 2011 concernant la limitation d'usage de certaines substances dangereuses dans l'équipement électrique et électronique.
- (ES) Declaramos bajo nuestra exclusiva responsabilidad que este producto cumple con las siguientes normas y estándares de funcionamiento: se encuentra conforme con la Directiva 2011/65/UE del Parlamento Europeo y del Consejo de 8 de junio de 2011 sobre la restricción del uso de determinadas sustancias peligrosas en los equipos eléctricos y electrónicos.
- (PT) Declaramos por nossa total responsabilidade-de que este produto está em conformidade e cumpre as normas e regulamentações que se seguem: está em conformidade com a Directiva 2011/65/UE do Parlamento Europeu e com o Conselho de 8 de Junho de 2011 no que respeita à restrição de utilização de determinadas substâncias perigosas existentes em equipamento eléctrico e electrónico.
- (IT) Dichiariamo, sotto la nostra responsabilità, che questo prodotto è conforme alle normative e ai regolamenti seguenti: è conforme alla Direttiva 2011/65/UE del Parlamento Europeo e del Consiglio dell'8 giugno 2011 sulla limitazione dell'uso di determinate sostanze pericolose nelle apparecchiature elettriche ed elettroniche.
- (SV) Vi garanterar på eget ansvar att denna produkt uppfyller och följer följande standarder och bestämmelser: uppfyller direktiv 2011/65/EU från Europeiska parlamentet och EG-rådet från den 8 juni 2011 om begränsningen av användning av farliga substanser i elektrisk och elektronisk utrustning.
- (FI) Vakuutamme yksinomaan omalla vastuullamme, että tämä tuote täyttää seuraavat standardit ja säädökset: täyttää Euroopan parlamentin ja neuvoston 8. kesäkuuta 2011 päivätyn direktiivin 2011/65/EU vaatimukset koskien vaarallisten aineiden käytön rajoitusta sähkö- ja elektroniikka alalla.
- (NO) Vi erklærer under vårt eget ansvar at dette produktet er i samsvar med følgende standarder og regler: er i samsvar med EU-direktiv 2011/65/EU fra Europa-parlamentet og Europa-rådet, pr. 8 juni 2011, om begrensning i bruken av visse farlige stoffer i elektrisk og elektronisk utstyr.
- (DA) Vi erklærer under eget ansvar, at dette produkt er i overensstemmelse med følgende standarder og bestemmelser: er i overensstemmelse med direktiv 2011/65/EU fra Europa-Parlamentet og Rådet af 8. juni 2011 om begrænsning af anvendelsen af visse farlige stoffer i elektrisk og elektronisk udstyr.
- (HU) Feltölősségünk teljes tudatában kijelentjük, hogy ez a termék teljes mértékben megfelel az alábbi szabványoknak és előírásoknak: je v souladu se směrnicí 2011/65/EU Evropského parlamentu a Rady EU ze dne 8. června 2011, která se týká omezení použití určitých nebezpečných látek v elektrických a elektronických zařízeních.
- (CZ) Na naši vlastní zodpovědnost prohlašujeme, že je tento výrobek v souladu s následujícími standardy a normami: Je v súlade s normou 2011/65/EU Európskeho parlamentu a Rady z 8. júna 2011 týkajúcej sa obmedzenia používania určitých nebezpečných látok v elektrickom a elektronickom vybavení.
- (SK) Vyhlasujeme na našu výhradnú zodpovednosť, že tento výrobok je v zhode a súlade s nasledujúcimi normami a predpismi: Je v súlade s normou 2011/65/EU Európskeho parlamentu a Rady z 8. júna 2011 týkajúcej sa obmedzenia používania určitých nebezpečných látok v elektrickom a elektronickom vybavení.
- (SL) S polno odgovornostjo izjavljamo, da je ta izdelek v skladu in da odgovarja naslednjim standardom ter predpisom: je v skladu z direktivo 2011/65/EU Evropskega parlamenta in Sveta z dne 8. junija 2011 o omejevanju uporabe določenih nevarnih snovi v električni in elektronski opremi.
- (PL) Deklarujemy na własną odpowiedzialność, że ten produkt spełnia wymogi zawarte w następujących normach i przepisach: jest zgodny z Dyrektywą 2011/65/UE Parlamentu Europejskiego i Rady z dnia 8 czerwca 2011 r. w sprawie ograniczenia stosowania niektórych niebezpiecznych substancji w sprzęcie elektrycznym i elektronicznym.
- (LT) Prisiimdami visą atsakomybę deklaruojame, kad šis gaminy atitinka žemiau paminėtus standartus arba nuostatus: atitinka 2011 m. birželio 8 d. Europos Parlamento ir Tarybos direktyvą 2011/65/EB dėl tam tikrų pavojingų medžiagų naudojimo elektros ir elektroninėje įrangoje apribojimo.
- (LV) Ir atbilstoša Eiropas Parlamenta un Padomes 2011. gada 8. jūnija Direktīvai 2011/65/ES par dažu bīstamu vielu izmantošanas ierobežošanu elektriskās un elektroniskās iekārtās.
- (ET) Apgalvojam ar visu atbilditvju, ka šis produkts ir saskaņā un atbilst šķeļojošiem standartiem un nolikumiem: ir atbilstoša Eiropas Parlamenta un Padomes 2011. gada 8. jūnija Direktīvai 2011/65/ES par dažu bīstamu vielu izmantošanas ierobežošanu elektriskās un elektroniskās iekārtās.
- (RO) Declaram prin aceasta ca raspunderea deplina ca produsul acesta este in conformitate cu urmatoarele standarde sau directive: este in conformitate cu Directiva 2011/65/UE a Parlamentului European si a Consiliului din 8 iunie 2011 cu privire la interzicerea utilizarii anumitor substante periculoase la echipamentele electrice si electronice.
- (HR) Izjavljujemo pod vlastitom odgovornošću, da je strojem ukladan sa slijedešim standardima ili standardiziranim dokumentima i u skladu sa odredbama: usklađeno s Direktivom 2011/65/EU europskog parlamenta i vijeća izdanom 8. lipnja 2011. o ograničenju korištenja određenih opasnih tvari u električnoj i elektroničkoj opremi.
- (SRL) Pod punom odgovornostjo izjavljamo da je usaglasen sa sledećim standardima ili normama: usaglasen sa direktivom 2011/65/EU evropskog parlamenta i Saveta od 8 juna 2011. godine za restrikciju upotrebe određenih opasnih materija u električnoj i elektroničkoj opremi.
- (RU) Под свою ответственность заявляю, что данное изделие соответствует следующим стандартам и нормам: соответствует требованиям Директивы 2011/65/ЕU Европейского парламента и совета от 8 июня 2011 г. по ограничению использования определенных опасных веществ в электрическом и элктронном оборудовании
- (UK) На свою власну відповідальність заявляю, що дане обладнання відповідає наступним стандартам і нормативам: задовольняє вимоги Директиви 2011/65/СC Європейського Парламенту та Ради від 8 червня 2011 року на обмеження використання деяких небезпечних речовин в електричному та електронному обладнанні.
- (EL) Δηλώνουμε υπεύθυνα ότι το προϊόν αυτό συμμορφώνεται και πληρεί τους παρακάτω κανονισμούς και πρότυπα: συμμορφώνεται με την Οδηγία 2011/65/ΕΕ του Ευρωπαϊκού Κοινοβουλίου και του Συμβουλίου της 8ης Ιουνίου 2011 για τον περιορισμό της χρήσης ορισμένων επικίνδυνων ουσιών σε ηλεκτρικό και ηλεκτρονικό εξοπλισμό
- (MK) Izjavуvame со наша целпона одговорност дека произвоодет е во согласност со Смирничата 2011/65/EU на Европскиот парламент и е во согласност според Советот од 8 јуни за организување на користење на одредени опасни супстанции во електричната и електронската опрема според следните стандарди и регулативи:

EN61029-1, EN55014-1, EN55014-2, EN61000-3-2, EN61000-3-3

2006/42/EC, 2014/35/EU, 2014/30/EU, 2011/65/EU, 2012/19/EU

Zwolle, 01-02-2016

H.G.F. Rosberg
CEO Ferm B.V.

Ferm BV • Lingenstraat 6 • 8028 PM • Zwolle The Netherlands

Spare parts list

No.	Description	Position
402832	Aluminium disc	5
800210	V-belt	12
402833	Motor pulley	13
402834	Driven pulley	14
402835	Rubber foot	28
402836	Switch	31
806201	Bearing 6201 zz	43
402800	Idle roller complete	42(2x),43(2x),44,47
402838	Adjustment bolt	48,49
402839	Driver roller	54,56
402840	Mitre gauge	64,65,68

Exploded view

