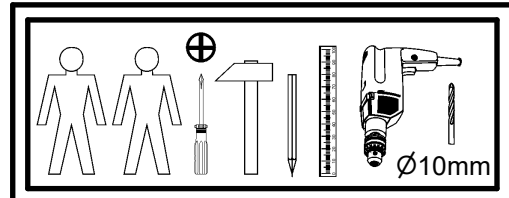
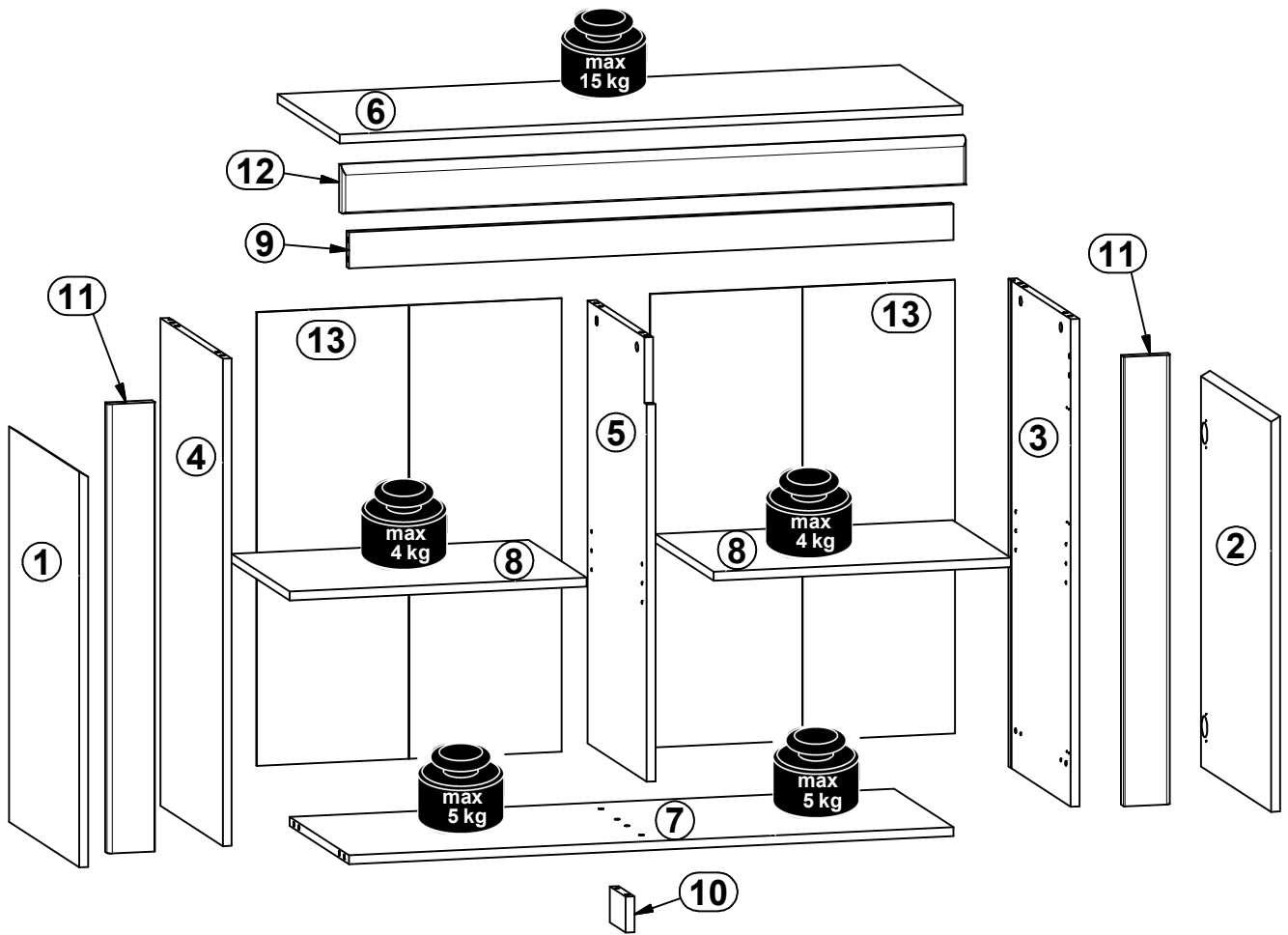
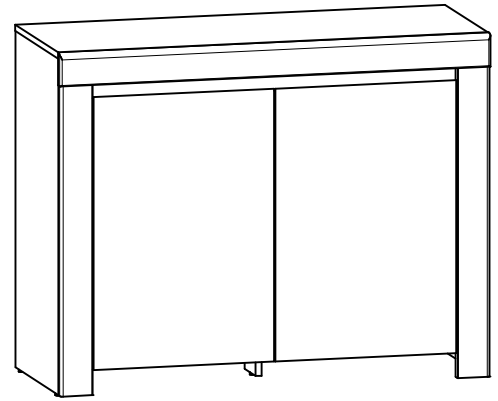
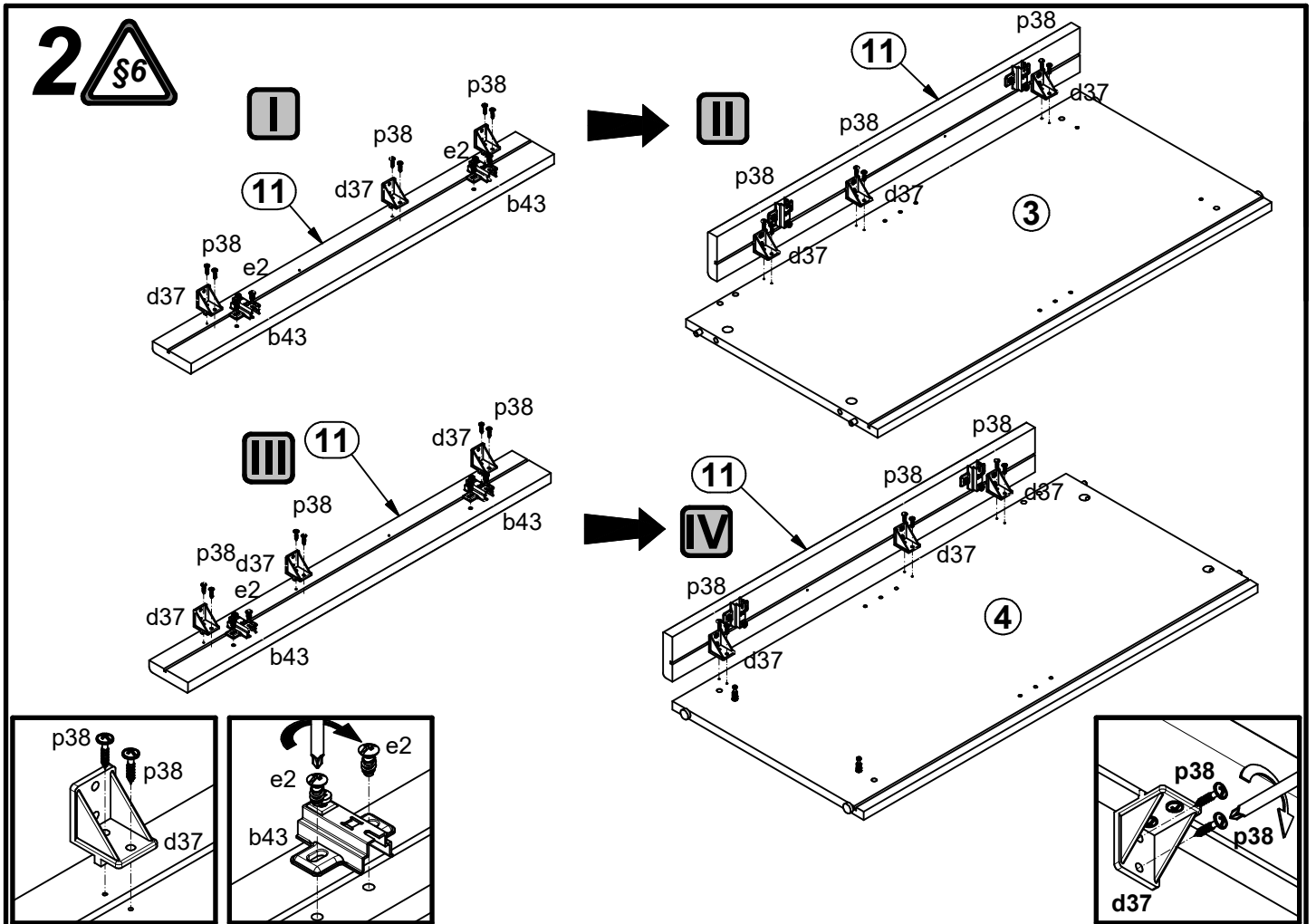
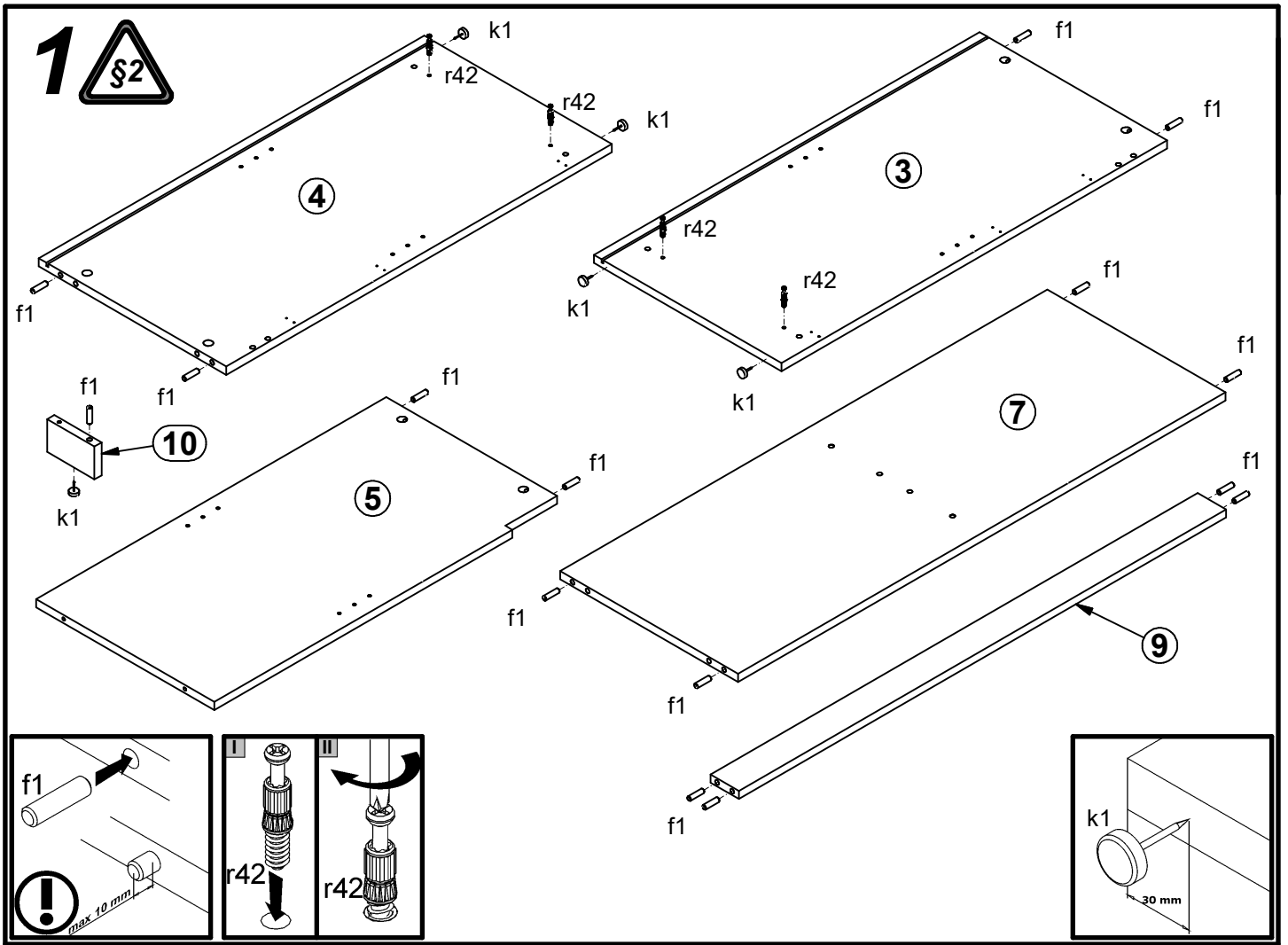


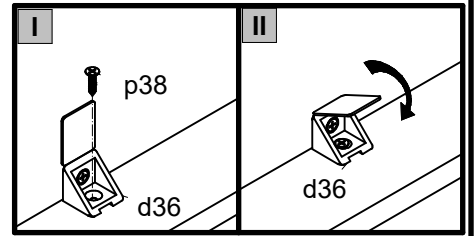
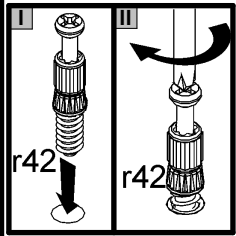
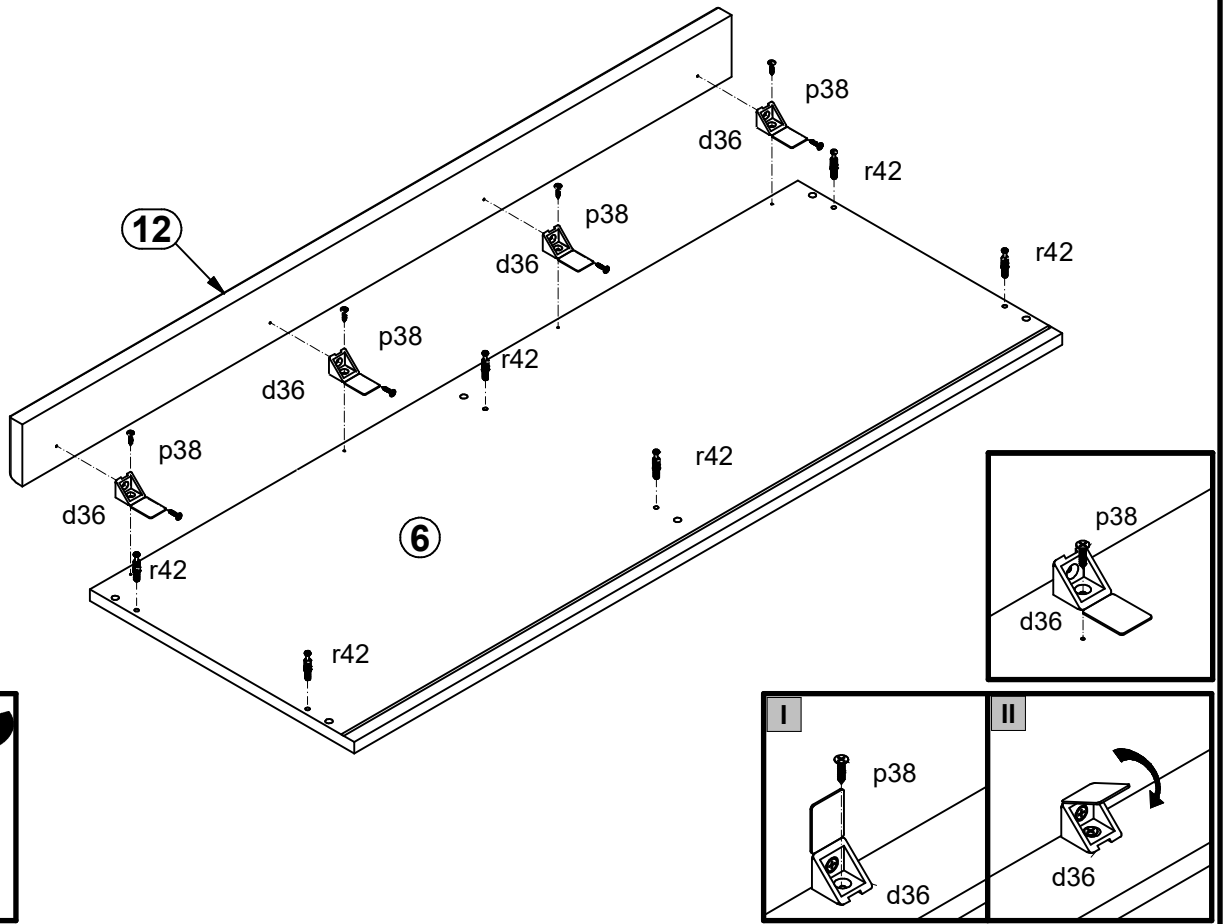
A	B	C	D	
1	S440-0016	660	446	2/2
2	S440-0017	660	446	2/2
3	S440-1028	814	396	1/2
4	S440-1031	814	396	1/2
5	S440-1032	739	376	1/2
6	S440-2008	1060	396	1/2
7	S440-3020	1029	376	1/2
8	S440-3021	506	370	1/2
9	S440-4025	1029	60	1/2
10	S440-5015	100	60	1/2
11	S440-5034	750	80	1/2
12	S440-5037	1062	80	1/2
13	S440-9307	757	519	1/2



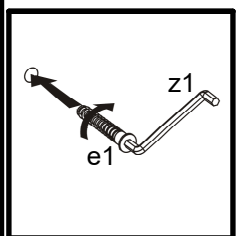
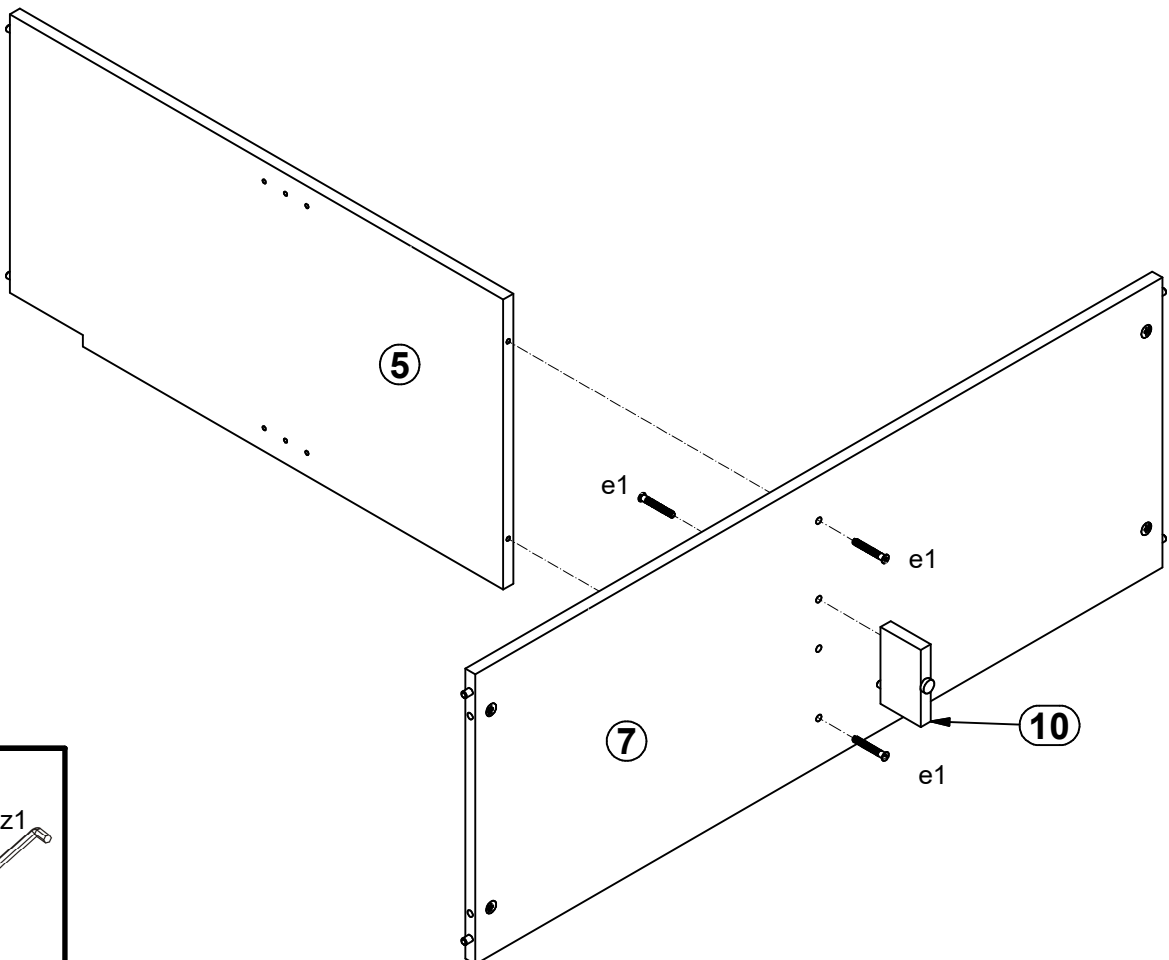
4x a132	2x a133	4x b43	8x Ø5x17 mm d1	4x d36	6x d37	3x Ø7x50 mm e1	8x Ø6.3x13 mm e2	15x Ø8x30 mm f1
5x k1	15x 1.4x20 mm l1	6x l2	4x 22x9.5x20.7 mm n108	32x Ø3.5x15 mm p38	8x Ø3.5x15 mm p51	4x Ø2.9x16 mm p55	10x Ø15x12 mm #16 r1	10x 20/11 r42
6x Ø16 s2	1x 4 mm z1							
							1x n26/1	1x Ø3.5x16 mm p38



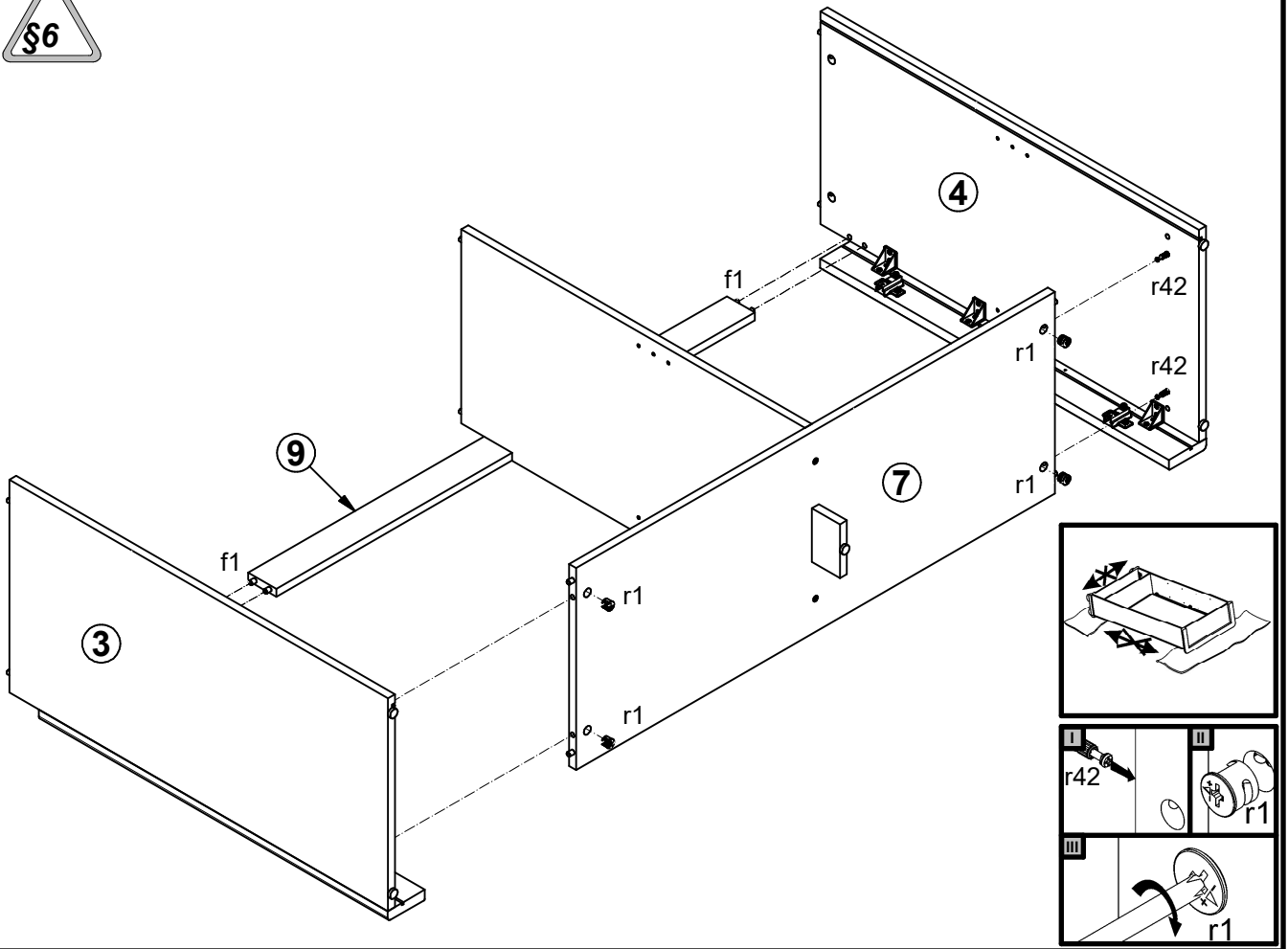
3



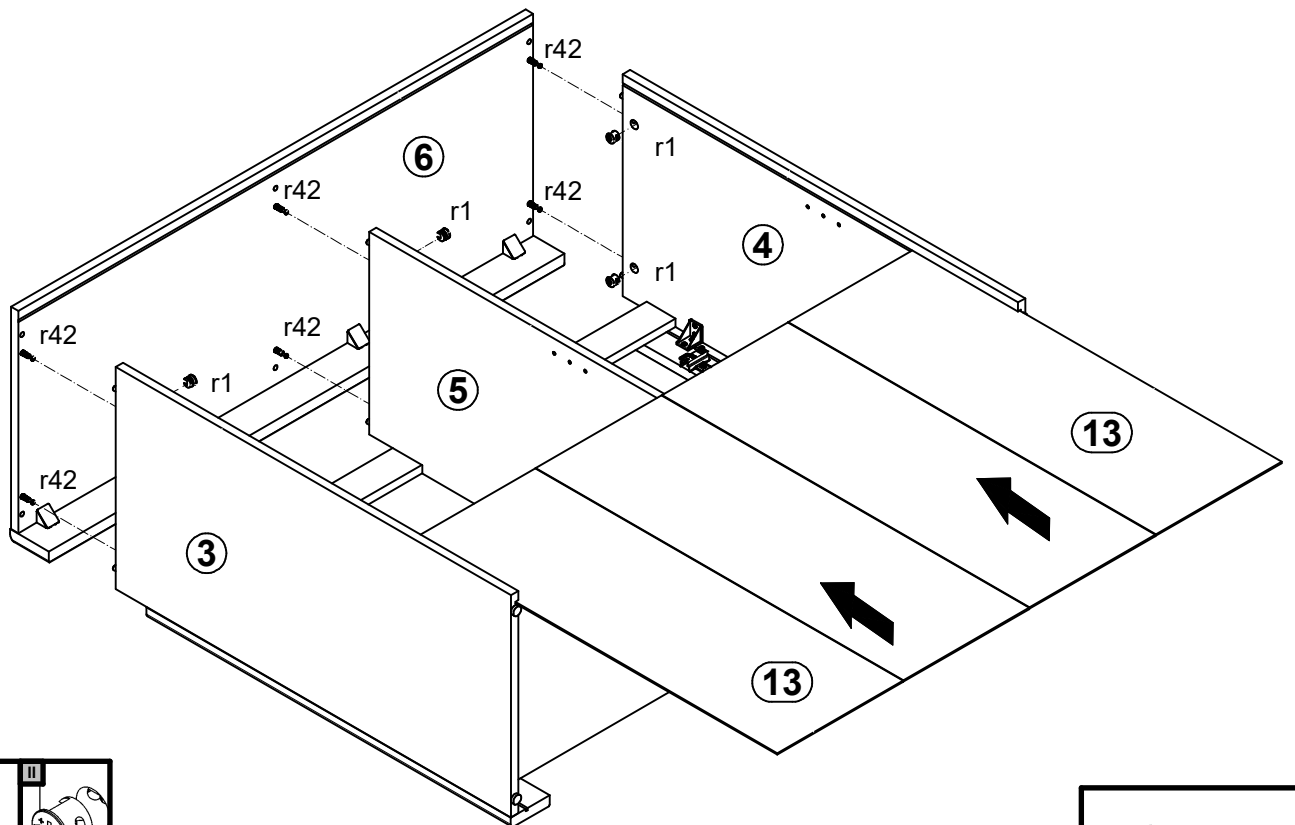
4



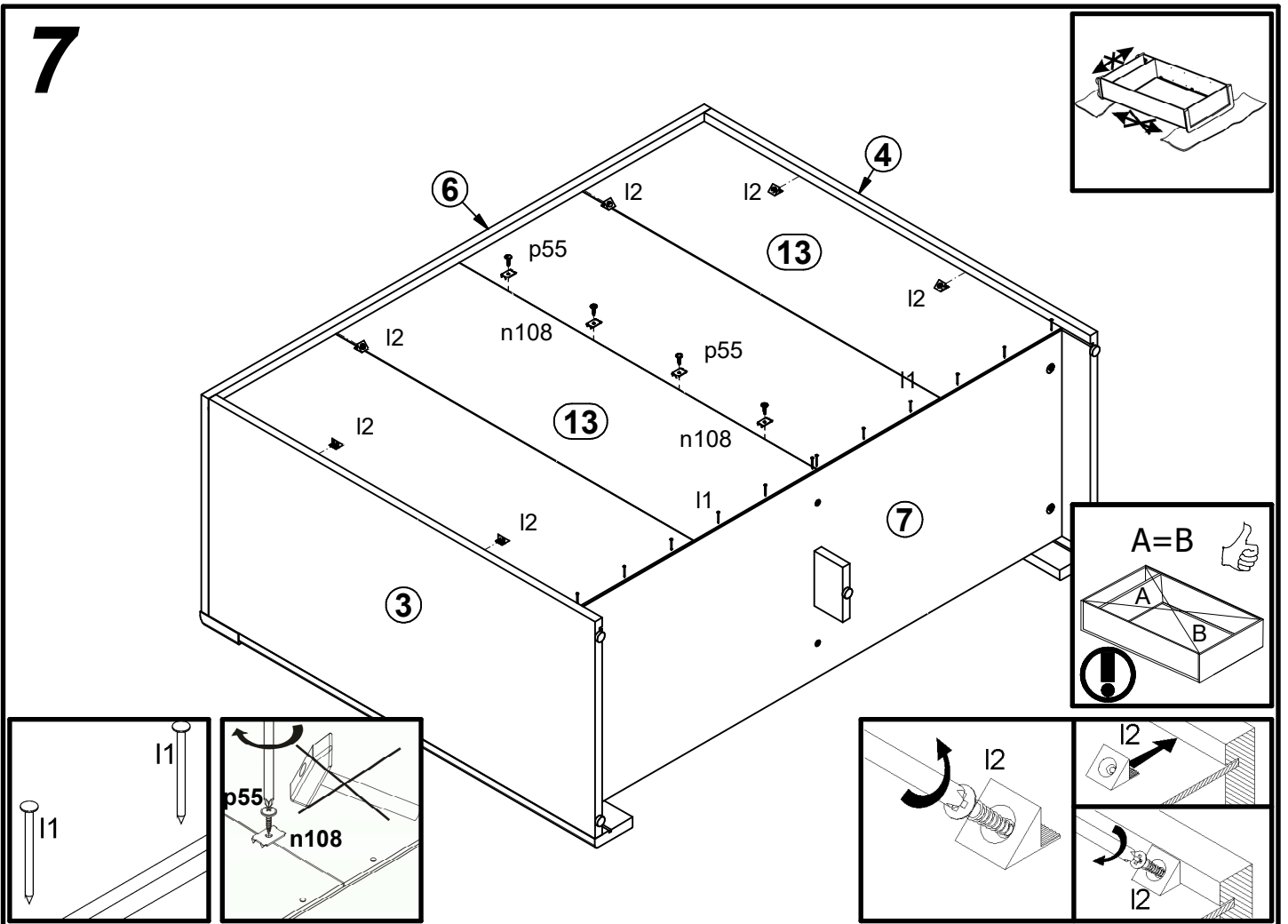
5



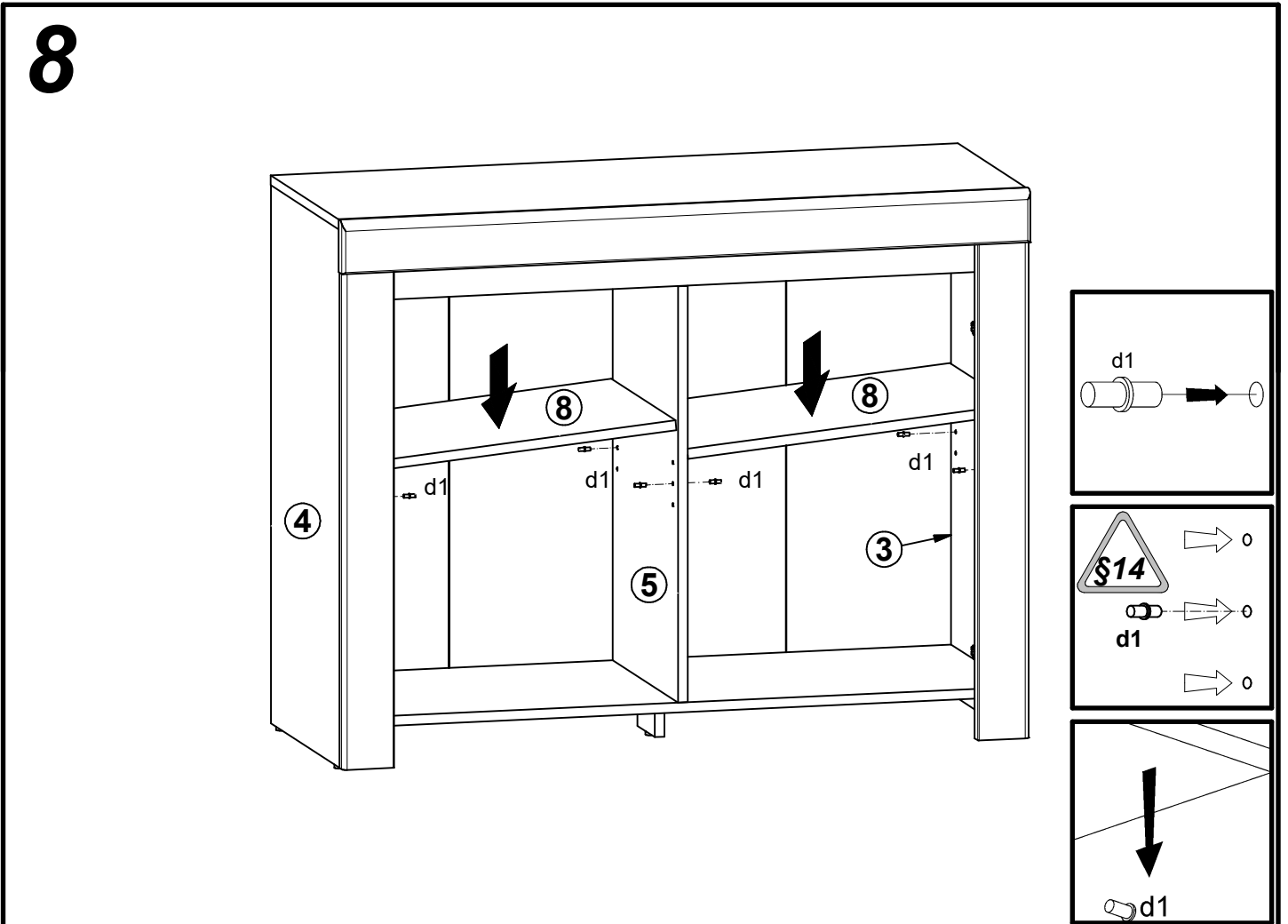
6



7



8



9

