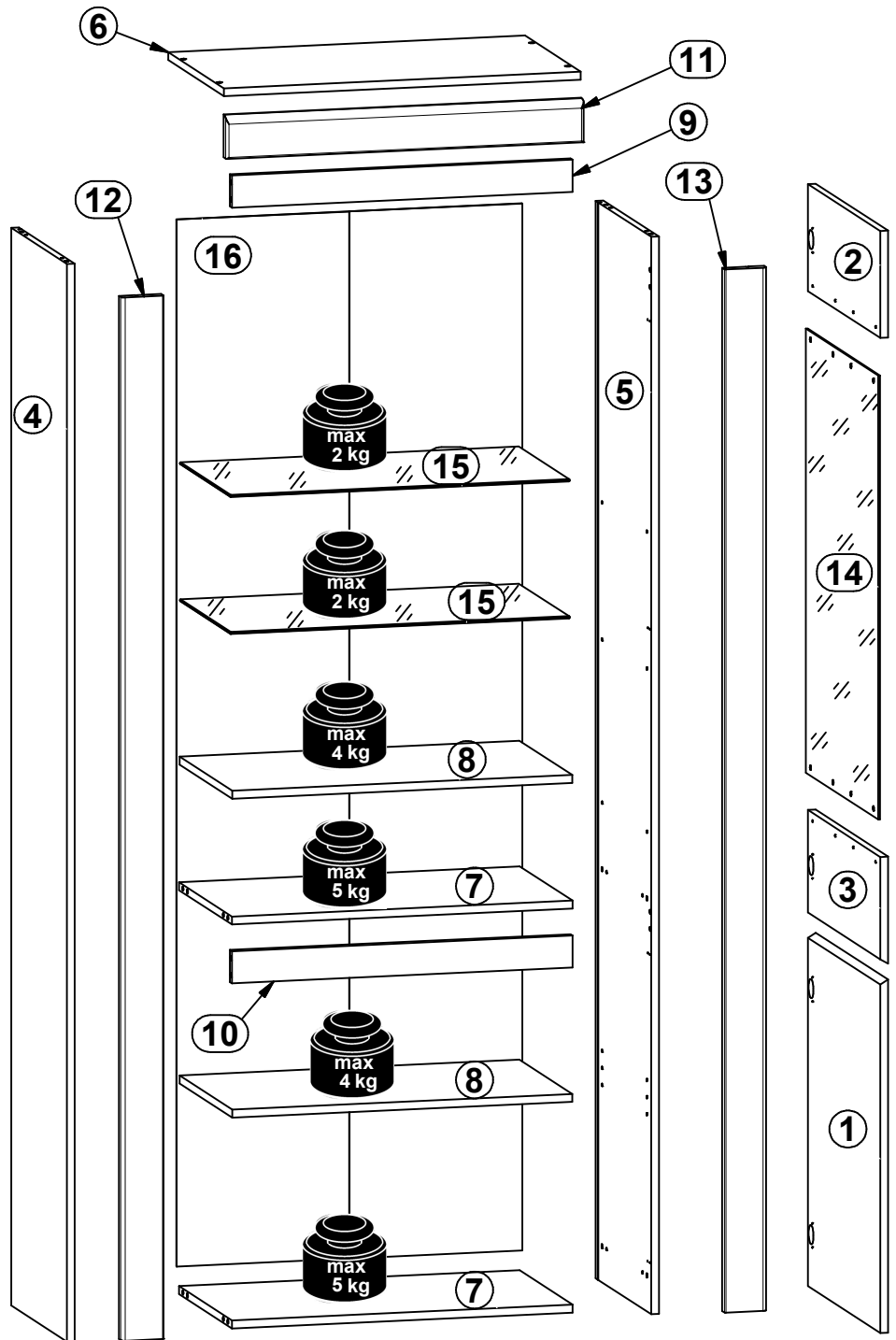
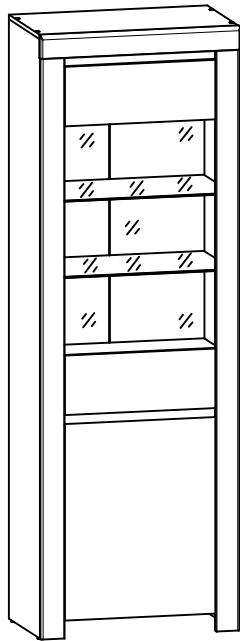
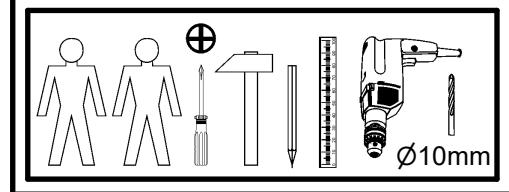


**A**

# HOLTEN

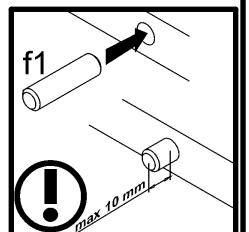
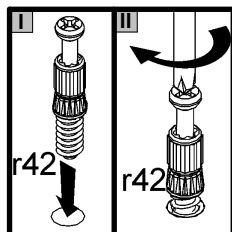
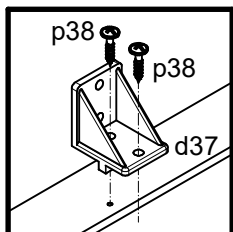
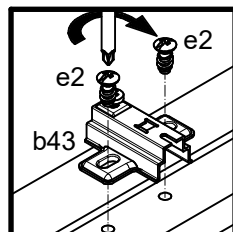
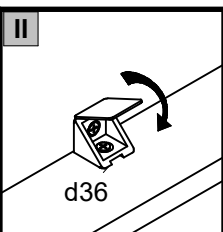
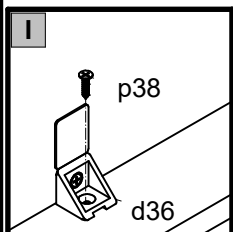
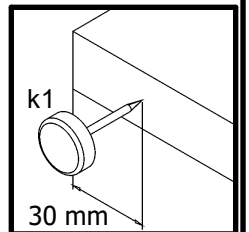
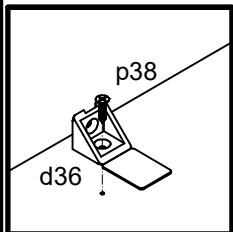
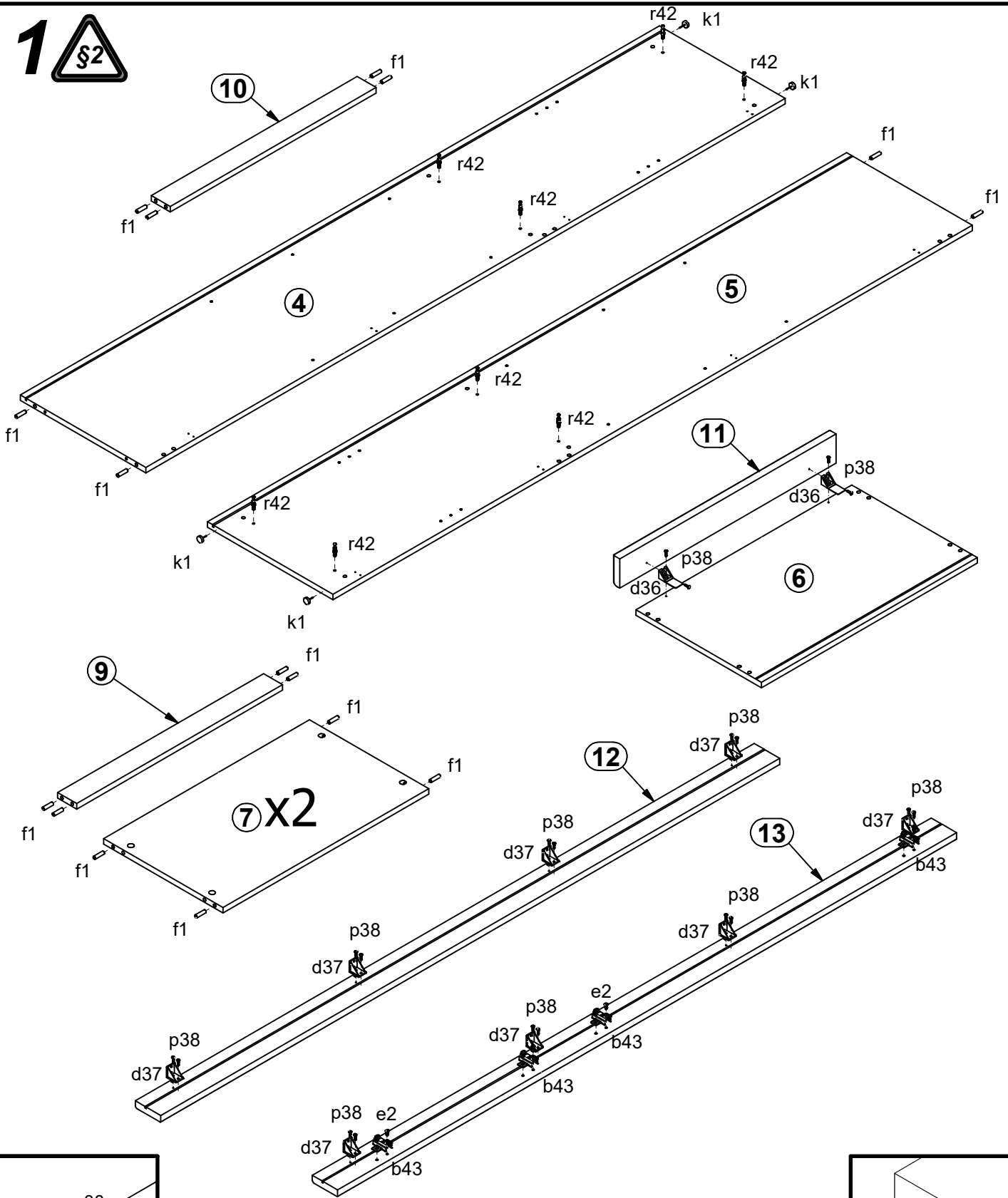
**S440-REG1D1W**

A	B	C	D	
1	S440-0020	660	515	2/2
2	S440-0021	515	200	2/2
3	S440-0022	515	200	2/2
4	S440-1041	2014	396	1/2
5	S440-1042	2014	396	1/2
6	S440-2011	680	396	2/2
7	S440-3025	649	376	2/2
8	S440-3026	648	376	2/2
9	S440-4020	649	60	2/2
10	S440-4044	649	60	2/2
11	S440-5023	682	80	2/2
12	S440-5044	1950	80	1/2
13	S440-5045	1950	80	1/2
14	S440-5046	830	514	2/2
15	S440-5047	647	360	2/2
16	S440-9304	1957	659	1/2

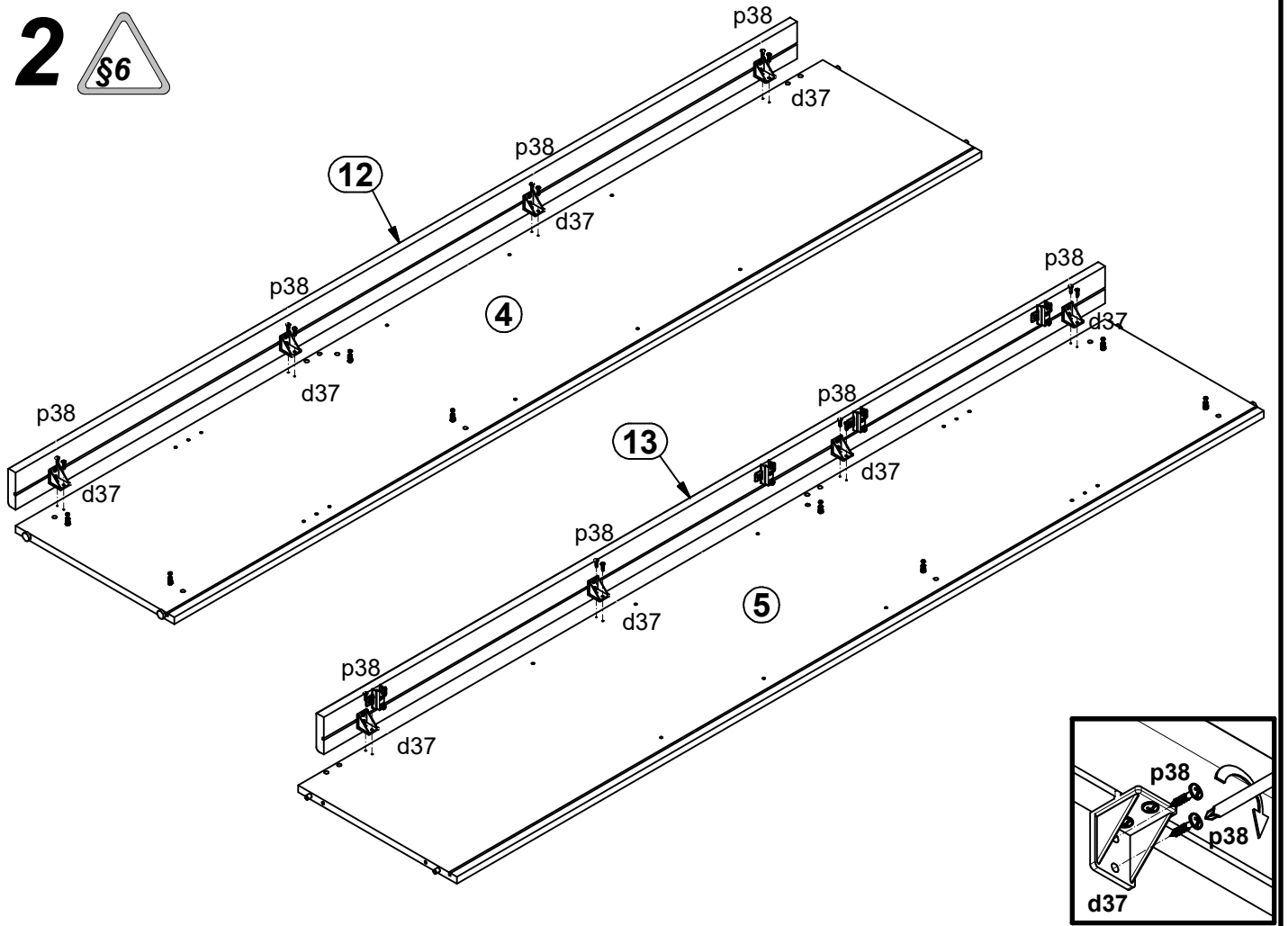


4x  a132	2x  a133	4x  b43	8x  d1 Ø5x17 mm	8x  d3 Ø5x17 mm	2x  d36	8x  d37	4x  e1 Ø7x50 mm	8x  e2 Ø6.3x13 mm	
8x  e47 Ø5x16 mm	20x  f1 Ø8x30 mm	4x  k1	15x  l1 1.4x20 mm	11x  l2	8x  o54 Ø5.3/Ø8.3x4.8 mm	36x  p38 Ø3.5x16 mm	8x  p51 Ø3.5x15 mm	8x  r1 Ø15x12 mm #16	
8x  r42 20/11	1x  z1 4 mm								
		1x  f35 Ø10x50 mm		1x  n142 88x21x15/1.5		1x  p17 Ø5x90 mm		2x  p38 Ø3.5x16 mm	

1 



# 2



# 3

