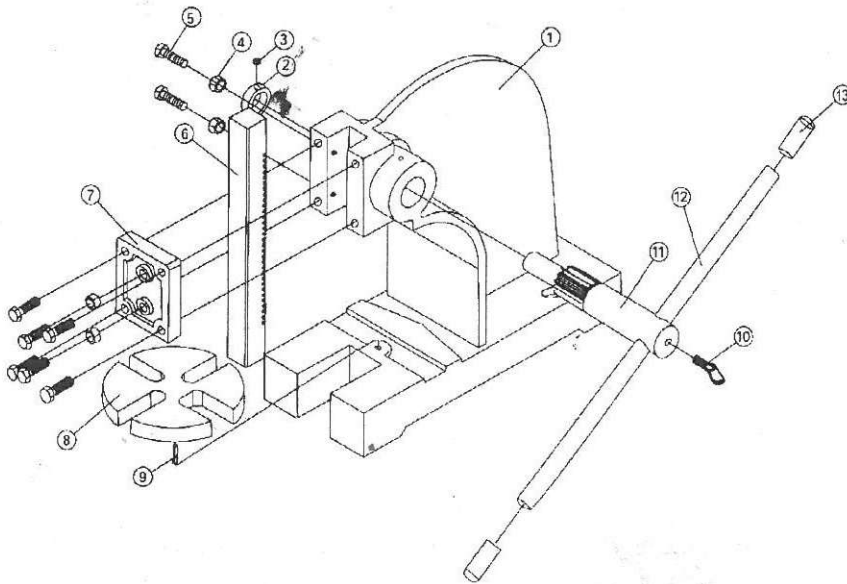


6. Parts list

Part No.	Description	Part No.	Description
1	Body	8	Work table
2	Sleeve	9	Conical pin
3	Screw	10	Screw M8X25
4	Nut M10	11	Gear
5	Bolt M10x35	12	Handle
6	Blade	13	Sleeve
7	Cover		

7. Assembly diagram

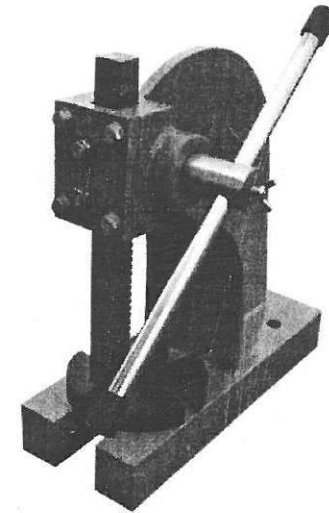


Note: This manual is only for your reference. Owing to the continuous improvement of the machine, changes may be made at any time without obligation on notice.

ARBOR PRESS

Model: AP-1/2 AP-1 AP-2

AP-3 AP-5 AP-8



OPERATION MANUAL

Please read this manual carefully before install and operation.

1. Usage

The machine of AP series is suitable for press-fitting and pulling bearings. Designed with high quality steel body, it is easy to be operated, and take advantage of no power consumption; it is an ideal tool for energy-saving.

2. Main technical specification

Item No.	376501	376502	376503	376504	376505	376506
Model	AP-1/2	AP-1	AP-2	AP-3	AP-5	AP-8
Capacity (ton)	1/2	1.0	2.0	3.0	5.0	8.0
Max. opening (mm)	115	135	195	288	450	450
Deep Throat (mm)	80	95	145	155	230	260
Worktable diameter	φ 95	φ 120	φ 155	φ 185	φ 260	φ 255
Ram Square (mm)	19X19	25X25	32X32	38X38	47X50	53X60
Packing Size(cm)	27x13x30	35x14x31	46x19x48	47x23x60	68x30x78	66x26.5x82
N.W./G.W. (kg)	8/9	12/13	32/33	45/46	123/130	141/152

3. Installation and caution

3.1 Installation

- 3.1.1 Please check whether the part of this machine are fully equipped and not damaged according to the parts list or part figure.
- 3.1.2 This machine should be mounted on hard ground or specific stand (not supplied).
- 3.1.3 Please leave plenty room around the machine for your easy operating, in order to avoid injury.
- 3.1.4 Please remove the anti-rust grease on processing surfaces and some parts included with kerosene.

3.2 Caution

- 3.2.1 Please read this manual before operation and make yourself understand its structure and principle completely.
- 3.2.2 Please don't operate the material of size exceed the table list max. range.
- 3.2.3 Keep proper footing and your body balance. Force should be applied swiftly and steady.
- 3.2.4 Please don't touch the blade during operation.

4. Operation and maintenance

This machine is pre-adjusted before out of factory. When you want to use, rotate the handle (#13) to drive the blade (#6) to move up and down though gear (#12).

Before your operation, you can adjust bolt (#5) and nut (#6), to make the balance of the blade (#6) suited for the work piece.

5. Lubricate the machine every day.