

# FERM®

POWER SINCE 1965



## PRM1015

EN	Original instructions	04	SL	Prevod izvirnih navodil	71
DE	Übersetzung der Originalbetriebsanleitung	08	PL	Tłumaczenie instrukcji oryginalnej	76
NL	Vertaling van de oorspronkelijke gebruiksaanwijzing	13	LT	Originalios instrukcijos vertimas	81
FR	Traduction de la notice originale	18	LV	Instrukciju tulkojums no oriģinālvalodas	85
ES	Traducción del manual original	23	ET	Algupärase kasutusjuhendi tõlge	90
PT	Tradução do manual original	28	RO	Traducere a instrucțiunilor originale	95
IT	Traduzione delle istruzioni originali	33	HR	Prevedeno s izvornih uputa	99
SV	Översättning av bruksanvisning i original	38	SR	Prevod originalnog uputstva	104
FI	Alkuperäisten ohjeiden käänös	43	BS	Prevod originalnog uputstva	104
NO	Oversatt fra original veiledning	47	RU	Перевод исходных инструкций	109
DA	Oversættelse af den originale brugsanvisning	52	UK	Переклад оригінальних інструкцій	114
HU	Eredeti használati utasítás fordítása	56	EL	Μετάφραση του πρωτοτύπου των οδηγιών χρήσης	119
CS	Překlad původního návodu k používání	61	AR	تعليمات للاستخدام	124
SK	Překlad pôvodného návodu na použitie	66	MK	Превод на оригиналниот инструкции	128

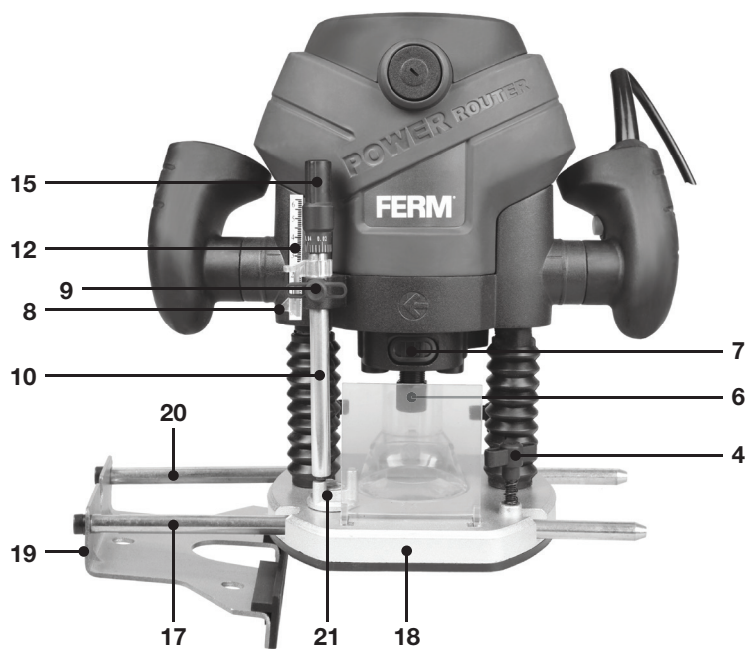


Fig. A

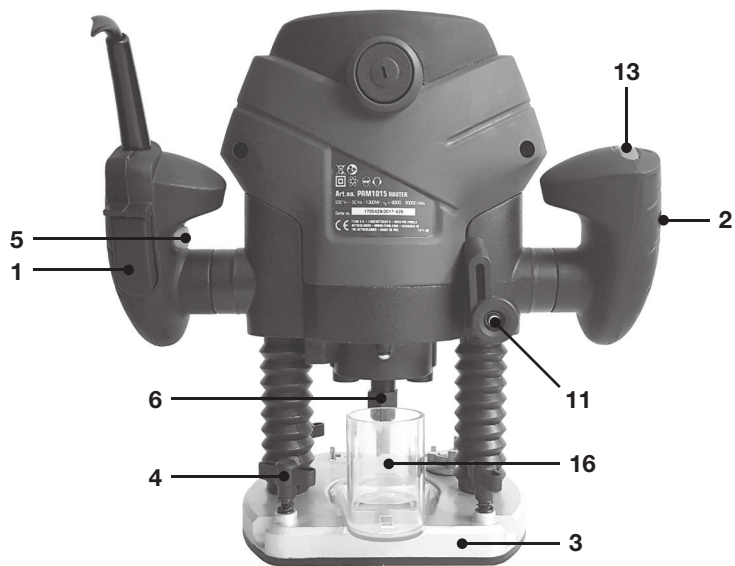
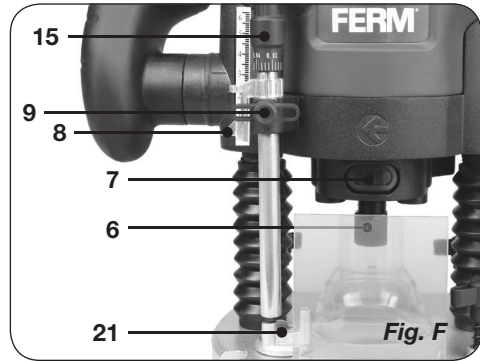
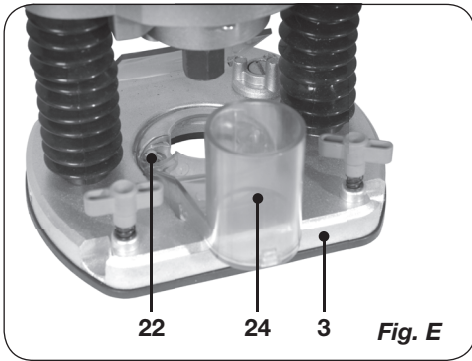
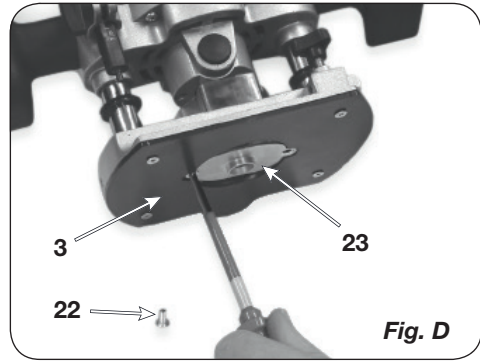
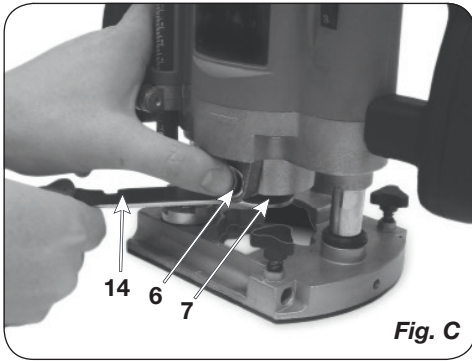


Fig. B



## ROUTER PRM1015

Thank you for buying this Ferm product. By doing so you now have an excellent product, delivered by one of Europe's leading suppliers. All products delivered to you by Ferm are manufactured according to the highest standards of performance and safety. As part of our philosophy we also provide an excellent customer service, backed by our comprehensive Warranty. We hope you will enjoy using this product for many years to come.



*For your own safety and for the safety of others, please read these instructions carefully before using this appliance. It will help you understand your product more easily and avoid unnecessary risks. Keep this instruction manual in a safe place for future use.*

### Introduction

The router has been designed for routing of wood and wood products. Check the machine, for loose parts and accessories from transport damage.

### Contents

1. Machine specifications
2. Safety instructions
3. Assembly
4. Operation
5. Maintenance

## 1. MACHINE SPECIFICATIONS

### Technical specifications

Voltage	230 V~
Frequency	50 Hz
Power input	1300 W
No load speed	9000-30000/min
Cutting depth	60 mm
Collet	6 & 8 mm
Weight	3.57 kg
Lpa (sound pressure)	87.9+3 dB(A)
Lwa (sound power)	98.9+3 dB(A)
Vibration left handle	3.509+1.5 m/s <sup>2</sup>
Vibration right handle	2.441+1.5 m/s <sup>2</sup>

### Vibration level

The vibration emission level stated in this instruction manual has been measured in accordance with a standardised test given in EN 60745; it may be used to compare one tool with another and as a preliminary assessment of exposure to vibration when using the tool for the applications mentioned

- using the tool for different applications, or with different or poorly maintained accessories, may significantly increase the exposure level
- the times when the tool is switched off or when it is running but not actually doing the job, may significantly reduce the exposure level

Protect yourself against the effects of vibration by maintaining the tool and its accessories, keeping your hands warm, and organizing your work patterns

### Contents of packing

- 1 Router
- 1 Parallel guide
- 1 Carbon brush set
- 1 Template guide
- 1 Adapter for dust extraction
- 1 Spanner
- 1 4 mm hex key
- 1 Collet 8 mm (assembled on the machine)
- 1 Collet 6 mm
- 6 Router bits
- 1 Safety instructions
- 1 Operating instructions
- 1 Warranty card

### Product information

#### Fig. A, B

1. On/off switch
2. Handle
3. Base plate
4. Fixing screws for parallel fence
5. Switch lock button
6. Collet nut
7. Spindle lock
8. Plunge depth adjustment button
9. Wing bolt for depth stop
10. Depth stop
11. Clamping lever
12. Plunge depth scale
13. Adjusting wheel for electronic speed control
14. Spanner
15. Plunge depth fine-tuning button
16. Dust extraction facility

17. Parallel fence ruler
18. Zero mark
19. Parallel fence
20. Guide rod
21. Depth stop revolver
22. Screws
23. Template guide
24. Dust adapter
25. Dust tube

## 2. SAFETY INSTRUCTIONS

The following symbols are used in these instructions for use:



*Read the instructions carefully.*



*Danger of life and risk of injury as well as risk of damage to the machine in case of non-adherence to the safety instructions in these instructions of use.*



*Danger of electric shock.*



*Remove the plug from the mains socket.*



*Variable speed control.*



*Wear ear and eye protection.*



*Wear a dust mask.*



*Wear protection gloves.*

### Additional safety instructions

- Please check workpieces for any obstructions on the surface of the material, such as protruding nails etc., to protect the router head.
- Wait until the router has come to a complete stop before removing any blocked or routed

material around the cutter. Use a long stick for this and never your finger.

- Please keep your hands away from the routing surface.
- Immediately switch off the tool if it starts producing any unusual noise or starts vibrating excessively.
- Please check that all parts are secure, tools are removed etc. before operation.



*Always check that the power supply corresponds to the voltage on the rating plate.*



*Your machine is double insulated, therefore no earthwire is required.*

- Immediately throw away old cables or plugs when they have been replaced by new ones. It is dangerous to insert the plug of a loose cable in the wall outlet.
- Only use an approved extension cable suitable for the power input of the machine. The minimum conductor size is 1.5 mm<sup>2</sup>. When using a cable reel always unwind the reel completely.



*Prior to mounting an accessory always unplug the tool.*



*Wait until the machine has come to a complete standstill and the cutter has cooled down before replacing a cutter.*

## 3. ASSEMBLY

### Router Bit Selection

Depending on processing and application, router bits are available in the most different designs and qualities:

Router bits made of high speed steel (HSS) are suitable for working with soft materials, e. g. soft wood and plastic.

Carbide tipped router bits (HM) are particularly suitable for hard and abrasive materials, e. g. hard wood and aluminium.

### Mounting and removing cutters

#### Fig. C

Only use cutters with a shaft diameter which corresponds with the size of the collet. Only use cutters which are suited for the maximum speed of the machine. The cutter diameter should not exceed the maximum diameter (see 'Technical specifications').

Never tighten the collet nut, if there is no router bit in the collet; the collet may be damaged.

- Press the spindle lock (7) and turn the collet nut (6) until it engages in the lock. Keep the spindle lock pressed during this procedure.
- Open the collet nut using the spanner (14).
- Place the cutter shaft in the collet.
- Tighten the collet nut so that the cutter is locked properly.
- Open the collet nut when you want to replace a cutter.

#### Adjusting the parallel fence ruler

The parallel fence is a useful tool for precision routing at a fixed distance from the edge of the workpiece.

- Place the desired cutter in the tool.
- Slide the parallel guide with the guide rods into the baseplate and tighten at the required measure with the wing bolts

#### Mounting the template guide

##### Fig. D

The template guide is a handy aid for cutting a pattern.

- Mount the template guide (23) on the router base (3) using the screws (22).

#### Mounting the adapter for dust extraction

##### Fig. E

Use the dust adapter for the extraction of dust. In case the adapter is not mounted on the machine, follow these instructions.

- Mount the dust adapter (24) with the screws (22) on the cutter sole (3).
- Place the dust tube (25) in the dust output (16).
- Place the tube of your vacuum cleaner on the dust tube (25).



*Keep the outlet of the machine behind the machine for a good view on the workpiece.*

## 4. OPERATION

#### Switching on and off (Fig. B)

- To switch the machine on, press the lock-off button (5) and then press the On/ off switch (1).

- To switch the machine off, release the On/off switch (1).

#### Usage tips

- After switching the machine on, make sure the machine reaches full speed before using it on the workpiece.
- Clamp the workpiece and make sure that the workpiece cannot slide from under the machine during the cutting activities.
- Hold the machine firmly and move it evenly over the workpiece. Do not force the machine.
- Only use cutters which do not show any signs of wear. Worn cutters have a negative effect on the efficiency of the machine.
- Always switch off the machine first before removing the plug from the wall socket.

#### Speed Preselection

The required speed can be preselected with the thumbwheel. Also during running the rotational speed can be adjusted.

1 – 2 = low speed

3 – 4 = medium speed

5 – 6 = high speed

Max = maximum speed

The required speeds depends on the material and can be determined by practical testing.

Furthermore router bits with a large diameter need a lower rotational speed.

Material	Diameter Router bit	Speed stages
Hardwood	>20 mm	1 – 2
	10 – 20 mm	3 – 4
	<10 mm	5 – max
Softwood	>20 mm	1 – 3
	10 – 20 mm	3 – 6
	<10 mm	5 – max
Aluminium	>15 mm	1
	<15 mm	1 – 2
Plastic	>15 mm	1 – 2
	<15 mm	2 – 3

After longer periods of working at low speed, allow the machine to cool down by running it for a few minutes at high speed with no load

## Height setting of the router column

### Fig. F+B

The clamping lever (11) is used to set the maximum height of the router.

The plunge depth is then fixed. This is usually necessary when using the tool on a special router table.

Make sure the router column is not locked.

The router can be pushed down against the spring force.

Lock the router column using the clamping lever

The router is now locked and will no longer return to its original position.

## Setting the plunge depth

### Fig. F+B

The plunge depth can be adjusted by using buttons 8, 9, 11 and 15. If the plunge depth is set correctly, the groove in the question can be routed accurately to within 0.1 mm.

Preparation:

- Place the desired cutter in the tool.  
The router can be pushed down against the spring force.
- Push the tool down until the cutter touches the workpiece, then lock it using the clamping lever (11).
- Loosen button 9.
- Set button 15 to zero.
- Use button 8 to set the depth all the way down.
- Tighten button 9 (clockwise). The plunge depth is now set to precisely 0 mm.

Rough setting:

- Read the value from the scale (12).
- Loosen button 9.
- Turn button 8 and re-read the value from the scale. The difference between the two values is the plunge depth setting. For example: If the value on the scale (12) is 8.5 in the zero-setting and the value is 7.0 after button (8) has been turned, then the plunge depth has been set to 1.5 cm.
- Retighten button 9.

Fine adjustment:

- Loosen button 9.
- The top button (15) is still set to zero. Give this button a full counter-clockwise turn, until it is back in the zero position. The plunge depth is now 1.0 mm less.
- If required, the plunge depth can be set accurately to within 0.1 mm.

- Retighten button 9.  
Unlock the clamping lever (11)

## Adjustment using the revolver- depth stop

The revolver-depth stop enables you to quickly choose between three different cutting depths. These are also determined by the adjustment of the depth stop (10).

For larger routing depths, it is recommended to carry out several repetitive cuts with lower removal rates.

- Adjust the required cutting depth by rotating the revolver-depth stop (21).

## 5. MAINTENANCE



*Make sure that the machine is not live when carrying out maintenance work on the motor.*

These machines have been designed to operate over a long period of time with a minimum of maintenance. Continuous satisfactory operation depends upon proper machine care and regular cleaning.

### Cleaning

Regularly clean the machine housing with a soft cloth, preferably after each use. Keep the ventilation slots free from dust and dirt. If the dirt does not come off use a soft cloth moistened with soapy water. Never use solvents such as petrol, alcohol, ammonia water, etc. These solvents may damage the plastic parts.

### Troubleshooting

Please find some potential causes and solutions to possible failure.

#### 1 The operating switch is switched on, but the motor is not working

- The electric circuit is broken
  - Have the electric circuit repaired
- Wires in the mains plug or in the socket are loose
  - Have socket and plug checked or repaired
- The switch is faulty
  - Have the switch repaired

## 2 Router runs slowly

- Blunt or damaged cutter
  - *Re-sharpen or replace cutter*
- Variable speed set low
  - *Increase variable speed*
- Motor is overloaded
  - *Reduce pushing force on router*

## 3 Excessive vibration

- Bent cutter shank
  - *Replace cutter*

## 4 Sparks inside the housing

- Carbon brushes are worn
  - *Replace the carbon brushes*

## Faults

Should a fault occur, e.g. after wear of a part, please contact the address on the warranty card. Included you find an exploded view showing the parts that can be ordered.

## ENVIRONMENT

In order to prevent the machine from damage during transport, it is delivered in a sturdy packaging. Most of the packaging materials can be recycled. Take these materials to the appropriate recycling locations.



*Faulty and/or discarded electrical or electronic apparatus have to be collected at the appropriate recycling locations.*

## Only for EC countries

Do not dispose of power tools into domestic waste. According to the European Guideline 2012/19/EU for Waste Electrical and Electronic Equipment and its implementation into national right, power tools that are no longer usable must be collected separately and disposed of in an environmentally friendly way.

## WARRANTY

The guarantee conditions can be found on the separately enclosed guarantee card.

**The product and the user manual are subject to change. Specifications can be changed without further notice.**

## OBERFRÄSE PRM1015

Vielen Dank für den Kauf dieses Ferm Produkts. Hiermit haben Sie ein ausgezeichnetes Produkt erworben, dass von einem der führenden Lieferanten Europas geliefert wird. Alle von Ferm an Sie gelieferten Produkte sind nach den höchsten Standards von Leistung und Sicherheit gefertigt. Teil unserer Firmenphilosophie ist es auch, Ihnen einen ausgezeichneten Kundendienst anbieten zu können, der von unserer umfassenden Garantie unterstützt wird. Wir hoffen, dass Sie viele Jahre Freude an diesem Produkt haben.



*Lesen Sie zu Ihrer eignen Sicherheit und zur Sicherheit anderer diese Anweisungen vor der Anwendung dieses Geräts sorgfältig durch. Diese helfen Ihnen dabei, Ihr Produkt besser zu verstehen und unnötige Risiken zu vermeiden. Heben Sie dieses Anweisungshandbuch für die spätere Nutzung an einem sicheren Ort auf.*

## Einführung

Die Fräsmaschine ist zum Fräsen von Holz und Holzprodukten geschaffen worden. Überprüfen Sie die Maschine auf lockere Teile und durch Transport beschädigtes Zubehör.

## Inhalt

1. Maschinendaten
2. Sicherheitsanweisungen
3. Montage
4. Bedienung
5. Wartung

## 1. MASCHINENDATEN

### Technische Daten

Spannung	230 V~
Frequenz	50 Hz
Leistungsbedarf	1300 W
Leerlaufdrehzahl	9000-30000/min
Schnitttiefe	60 mm
Spannzange	6 & 8 mm
Gewicht	3,57 kg
Lpa (Schalldruckpegell)	87,9+3 dB(A)
Lwa (Schalleistungspegel)	98,9+3 dB(A)
Schwingung linker Griff	3,509+1.5 m/s <sup>2</sup>
Schwingung rechter Griff	2,441+1.5 m/s <sup>2</sup>



### Vibrationsstufe

Die in dieser Bedienungsanleitung angegebene Vibrationsemissionsstufe wurde mit einem standardisierten Test gemäß EN 60745 gemessen; Sie kann verwendet werden, um ein Werkzeug mit einem anderen zu vergleichen und als vorläufige Beurteilung der Vibrationsexposition bei Verwendung des Werkzeugs für die angegebenen Anwendungszwecke

- die Verwendung des Werkzeugs für andere Anwendungen oder mit anderem oder schlecht gewartetem Zubehör kann die Expositionsstufe erheblich erhöhen
- Zeiten, zu denen das Werkzeug ausgeschaltet ist, oder wenn es läuft aber eigentlich nicht eingesetzt wird, können die Expositionsstufe erheblich verringern

Schützen Sie sich vor den Auswirkungen der Vibration durch Wartung des Werkzeugs und des Zubehörs, halten Sie Ihre Hände warm und organisieren Sie Ihren Arbeitsablauf

### Verpackungsinhalt

- 1 Fräsmaschine
- 1 Parallelführung
- 1 Kohlebürsten-Set
- 1 Schablonenföhrung
- 1 Staubabsaugungs-Adapter
- 1 Schraubenschlüssel
- 1 4-mm-Sechskantschlüssel
- 1 Spannzange 8 mm (an der Maschine montiert)
- 1 Spannzange 6 mm
- 6 Langlochbohrer
- 1 Sicherheitsanweisung
- 1 Bedienungsanleitung
- 1 Garantiekarte

### Produktinformationen

#### Abb. A, B

- 1. An-/Ausschalter
- 2. Griff
- 3. Bodenplatte
- 4. Befestigungsschrauben für Anschlag
- 5. Schalterverriegelungstaste
- 6. Spannmutter
- 7. Spindelsperre
- 8. Einstellknopf für Tauchtiefe
- 9. Flügelschraube für Tiefenanschlag
- 10. Tiefenanschlag
- 11. Klemmhebel
- 12. Skala für Tauchtiefe
- 13. Einstellrad für elektronische Drehzahlreglung
- 14. Schraubenschlüssel

- 15. Feineinstellknopf für Tauchtiefe
- 16. Spanabsaugvorrichtung
- 17. Parallelanschlaglineal
- 18. Nullmarkierung
- 19. Parallelanschlag
- 20. Führungsstange
- 21. Tiefenanschlagrevolver
- 22. Schrauben
- 23. Schablonenföhrung
- 24. Staubabsaugungs-Adapter
- 25. Staubrohr

## 2. SICHERHEITSANWEISUNGEN

Die folgenden Symbole werden in diesen Anweisungen verwendet:



*Lesen Sie die Anweisungen sorgfältig durch.*



*Lebens- und Verletzungsgefahr sowie Maschinenschadengefahr, wenn die in dieser Gebrauchsanweisung gegebenen Sicherheitsanweisungen nicht befolgt werden.*



*Stromschlaggefahr.*



*Ziehen Sie den Netzstecker aus der Steckdose.*



*Drehzahlreglung.*



*Tragen Sie einen Ohr- und Augenschutz.*



*Tragen Sie eine Staubmaske.*



*Tragen Sie Schutzhandschuhe.*

### Zusätzliche Sicherheitsanweisungen

- Überprüfen Sie bitte die Werkstücke auf irgendwelche Behinderungen an der Materialoberfläche wie hervorstehende Nägel usw., um den Kopf der Fräsmaschine zu schützen.
- Warten Sie, bis die Fräsmaschine völlig zum Stillstand gekommen ist, bevor Sie blockiertes

oder abgefrästes Material um den Fräser herum entfernen.

Benutzen Sie dazu eine lange Stange und niemals Ihre Finger.

- Halten Sie Ihre Hände von der Fräsfläche fern.
- Schalten Sie die Maschine sofort aus, wenn sie beginnt, ein ungewöhnliches Geräusch zu erzeugen oder zu stark zu schwingen.
- Überprüfen Sie vor der Inbetriebnahme bitte, ob alle Teile sicher sind, die Werkzeuge entfernt worden sind usw.



*Überprüfen Sie immer, ob die Stromversorgung der Spannung auf dem Leistungsschild entspricht.*



*Ihre Maschine ist doppelt isoliert, deshalb ist keine Erdung erforderlich.*

- Werfen Sie alte Kabel und Stecker sofort weg, wenn sie durch neue ersetzt worden sind. Es ist gefährlich, den Stecker lockerer Kabel in die Wandsteckdose zu stecken.
- Verwenden Sie nur ein genehmigtes Verlängerungskabel, das für den Leistungsbedarf der Maschine geeignet ist. Der minimale Leiterquerschnitt beträgt 1,5 mm<sup>2</sup>. Wenn Sie eine Kabelrolle benutzen, wickeln Sie sie immer vollständig aus.



*Bevor Sie Zubehör montieren, sorgen Sie dafür, dass das Gerät vom Stromnetz genommen ist.*



*Warten Sie, bis die Maschine völlig zum Stillstand gekommen ist und sich der Fräser abgekühlt hat, bevor der Fräser gewechselt wird.*

### 3. MONTAGE

#### Auswahl des Langlochbohrers

In Abhängigkeit von der Bearbeitung und Anwendung gibt es Langlochbohrer in den verschiedensten Bauweisen und Qualitäten: Langlochbohrer aus Schnellarbeitsstahl (HSS) sind für die Bearbeitung von weichen Stoffen wie Holz und Plastik geeignet.

Langlochbohrer mit Hartmetallschneide (HM) sind besonders für harte und scheuernde Stoffe wie Hartholz und Aluminium geeignet.

#### Montage und Demontage der Fräser

##### Abb. C

Benutzen Sie nur Fräser mit einem Wellendurchmesser, der der Größe der Spannzange entspricht. Benutzen Sie nur Fräser, die für die maximale Drehzahl der Maschine geeignet sind. Der Durchmesser des Fräasers sollte den maximalen Durchmesser nicht überschreiten (siehe 'Technische Daten'). Ziehen Sie die Spannmutter niemals fest, wenn kein Langlochbohrer in der Spannzange ist. Die Spannzange kann beschädigt werden.

- Drücken Sie die Spindelsperre (7) und drehen die Spannmutter (6), bis sie in die Sperre einrastet. Halten Sie während dieses Vorgangs die Spindelsperre gedrückt.
- Lösen Sie die Spannmutter mit dem Schraubenschlüssel (14).
- Führen Sie die Welle des Fräasers in die Spannzange.
- Ziehen Sie die Spannmutter fest, so dass der Fräser gut verriegelt ist.
- Lösen Sie die Spannmutter, wenn Sie einen Fräser wechseln möchten.

#### Einstellung des Parallelanschlaglineals

Der Parallelanschlag ist ein nützliches Werkzeug zum Präzisionsfräsen in einem festen Abstand von der Kante des Werkstücks.

- Setzen Sie den gewünschten Fräser in das Werkzeug ein.
- Schieben Sie die Parallelführung mit den Führungsstangen in die Grundplatte, und ziehen Sie die Flügelschrauben ausreichend fest.

#### Montage der Schablonenführung

##### Abb. D

Die Schablonenführung ist eine nützliche Hilfe zum Fräsen eines Musters.

- Bringen Sie die Schablonenführung (23) mit den Schrauben (22) am Unterteil (3) der Fräsmaschine an.

#### Montage des Staubabsaug-Adapters

##### Abb. E

Benutzen Sie den Adapter, um Staub abzusaugen. Wenn der Adapter nicht an der Maschine angebracht ist, befolgen Sie diese Anweisungen:

- Bringen Sie den Staubabsaug-Adapter (24) mit den Schrauben (22) an der Fräsesohle (3) an.
- Führen Sie das Staubrohr (25) in den Staubausgang (16) ein.

- Führen Sie das Rohr Ihres Staubsaugers in des Staubrohr (25) ein.



Halten Sie den Auslass der Maschine hinter der Maschine, damit Sie das Werkstück gut sehen können.

## 4. BEDIENUNG

### Ein- und Ausschalten (Abb. B)

- Schieben Sie zum Einschalten des Geräts die Feststelltaste (5), und drücken Sie auf den Ein-/Ausschalter (1).
- Lassen Sie zum Ausschalten des Geräts den Ein-/Ausschalter (1) los.

### Tipps zur Anwendung

- Nachdem die Maschine angeschaltet worden ist, überzeugen Sie sich davon, dass sie die volle Drehzahl erreicht, bevor Sie sie am Werkstück anwenden.
- Klemmen Sie das Werkstück fest, und überzeugen Sie sich davon, dass das Werkstück beim Fräsen nicht unter der Maschine wegrutschen kann.
- Halten Sie die Maschine fest, und bewegen Sie sie gleichmäßig über das Werkstück. Wenden Sie keine Gewalt auf die Maschine an.
- Verwenden Sie nur Fräser, die keine Zeichen von Verschleiß aufweisen. Verschlossene Fräser haben einen negativen Einfluss auf die Wirksamkeit der Maschine.
- Schalten Sie die Maschine immer erst aus, bevor Sie den Stecker aus der Steckdose ziehen.

### Drehzahlvoreinstellung

Die erforderliche Drehzahl kann mittels Rändelrad voreingestellt werden. Die Drehzahl kann auch während des Betriebs eingestellt werden.

1 - 2 = niedrige Drehzahl  
 3 - 4 = mittlere Drehzahl  
 5 - 6 = hohe Drehzahl  
 Max = maximale Drehzahl

Die erforderliche Drehzahl ist abhängig vom Material und kann durch Erprobung in der Praxis ermittelt werden. Weiterhin erfordern Langlochbohrer mit großem Durchmesser eine geringere Drehzahl.

Material	Durchmesser Langlochbohrer	Drehzahlstufen
Hardholz	>20 mm	1 – 2
	10 – 20 mm	3 – 4
	<10 mm	5 – max
Weichholz	>20 mm	1 – 3
	10 – 20 mm	3 – 6
	<10 mm	5 – max
Aluminium	>15 mm	1
	<15 mm	1 – 2
Plastik	>15 mm	1 – 2
	<15 mm	2 – 3

Wenn Sie für längere Zeit mit niedriger Drehzahl gearbeitet haben, lassen Sie die Maschine abkühlen, indem Sie diese einige Minuten ohne Last bei hoher Drehzahl laufen lassen.

### Höheneinstellung der Fräsmaschinensäule Abb. F+B

Der Klemmhebel (11) wird zur Einstellung der maximalen Höhe der Fräsmaschine benutzt. Dann wird die Tauchtiefe fest eingestellt. Das ist gewöhnlich nötig, wenn das Werkzeug auf einem speziellen Fräsmaschinentisch benutzt wird. Überzeugen Sie sich davon, dass der Fräsmaschinentisch nicht verriegelt ist. Die Fräsmaschine kann gegen die Federkraft nach unten gedrückt werden. Verriegeln Sie die Fräsmaschinensäule mit dem Klemmhebel.

Jetzt ist die Fräsmaschine verriegelt und kehrt nicht mehr in ihre Ausgangsstellung zurück.

### Einstellung der Tauchtiefe Abb. F+B

Die Tauchtiefe kann mit den Knöpfen 8, 9, 11 und 15 eingestellt werden. Wenn die Tauchtiefe richtig eingestellt ist, kann die betreffende Kerbe mit einer Genauigkeit von weniger als 0,1 mm gefräst werden.

### Vorbereitung:

- Setzen Sie den gewünschten Fräser in das Werkzeug ein.  
Die Fräsmaschine kann gegen die Federkraft nach unten gedrückt werden.
- Drücken Sie das Werkzeug nach unten, bis der Fräser das Werkstück berührt, dann verriegeln Sie es mit dem Klemmhebel (11).
- Lösen Sie Knopf 9.
- Stellen Sie Knopf 15 auf null.

- Stellen Sie mit Knopf 8 die Tiefe bis ganz nach unten ein.
- Ziehen Sie Knopf 9 fest (im Uhrzeigersinn). Die Tauchtiefe ist jetzt genau auf 0 mm eingestellt.

#### Grobeinstellung:

- Lesen Sie den Wert von der Skala (12) ab.
- Lösen Sie Knopf 9.
- Drehen Sie Knopf 8 und lesen den Wert noch einmal von der Skala ab.  
Die Differenz zwischen den beiden Werten ist die Tauchtiefeneinstellung. Zum Beispiel: Wenn der Wert auf der Skala (12) in der Nulleinstellung 8,5 ist und der Wert 7,0 ist, nachdem Knopf (8) gedreht worden ist, dann ist die Tauchtiefe auf 1,5 cm eingestellt worden.
- Ziehen Sie Knopf 9 wieder fest.

#### Feineinstellung:

- Lösen Sie Knopf 9.
- Der obere Knopf (15) ist noch auf null eingestellt. Drehen Sie diesen Knopf völlig im entgegengesetzten Uhrzeigersinn, bis er sich wieder auf null befindet. Die Tauchtiefe ist jetzt 1,0 mm weniger.
- Wenn nötig, kann die Tauchtiefe bis auf weniger als 0,1 mm genau eingestellt werden.
- Ziehen Sie Knopf 9 wieder fest.  
Entriegeln Sie den Klemmhebel (11).

#### Einstellung mit Revolvertiefenanschlag

Der Revolvertiefenanschlag ermöglicht Ihnen, schnell zwischen drei verschiedenen Schnitttiefen auszuwählen. Diese werden auch von der Einstellung des Tiefenanschlags (10) bestimmt. Bei größeren Frästiefen ist zu empfehlen, mehrere Schnitte mit geringeren Abschneideleistungen auszuführen.

- Stellen Sie die erforderliche Schnitttiefe ein, indem Sie den Revolvertiefenanschlag (21) drehen.

## 5. WARTUNG



Überzeugen Sie sich davon, dass die Maschine nicht unter Strom steht, wenn Sie Wartungsarbeiten am Motor ausführen.

Diese Maschinen sind so gebaut, dass sie längere Zeit mit einem Minimum an Wartung arbeiten. Der dauerhafte und zufriedenstellende Betrieb hängt von der richtigen Maschinenpflege und regelmäßigen Reinigung ab.

#### Reinigung

Reinigen Sie das Gehäuse der Maschine regelmäßig mit einem weichen Tuch, besonders nach jeder Anwendung. Halten Sie die Belüftungsöffnungen staub- und schmutzfrei. Wenn sich der Schmutz nicht lösen lässt, nehmen Sie ein weiches Tuch, das mit Seifenwasser befeuchtet ist. Verwenden Sie niemals Lösungsmittel wie zum Beispiel Benzin, Alkohol, Ammoniakwasser und so weiter. Diese Lösungsmittel können die Kunststoffteile beschädigen.

#### Fehlersuche

Unterstehend finden Sie einige mögliche Ursachen und Lösungen für mögliche Fehler.

#### 1 Der Schalter ist angeschaltet, aber der Motor läuft nicht

- Der elektrische Stromkreis ist unterbrochen
  - Lassen Sie den Stromkreis reparieren
- Die Kabel am Netzstecker oder in der Steckdose sind locker
  - Lassen Sie die Steckdose und den Stecker überprüfen oder reparieren
- Der Schalter ist schadhaft
  - Lassen Sie den Schalter reparieren

#### 2 Die Fräsmaschine läuft langsam

- Stumpfer oder beschädigter Fräser
  - Schärfen oder wechseln Sie den Fräser
- Drehzahl niedrig eingestellt
  - Erhöhen Sie die Drehzahl
- Motor ist überlastet
  - Verringern Sie die Druckkraft auf die Fräsmaschine

#### 3 Starke Schwingung

- Vorbogener Fräserschenkel
  - Wechseln Sie den Fräser

#### 4 Funken im Gehäuse

- Kohlebürsten sind verschlissen
  - Wechseln Sie die Kohlebürsten

## Fehler

Bei Fehlern oder Problemen, beispielsweise durch Abnutzung eines Teils, wenden Sie sich bitte an die Service-Adresse, die Sie auf der Garantiekarte finden. Im Anhang finden Sie eine Explosionsdarstellung, auf der die Teile zu sehen sind, die bestellt werden können.

## UMWELTSCHUTZ

Damit die Maschine beim Transport nicht beschädigt wird, wird sie in einer stabilen Verpackung ausgeliefert. Die meisten Verpackungsmaterialien können recycelt werden. Bringen Sie diese Materialien an entsprechende Recyclingstellen.



*Fehlerhafte und/oder ausrangierte elektrische oder elektronische Geräte müssen an entsprechenden Recyclingstellen gesammelt werden.*

### Nur für EG-Länder

Entsorgen Sie Elektrowerkzeuge nicht über den Hausmüll. Entsprechend der Europäischen Richtlinie 2012/19/EU für Elektro- und Elektronikschrott sowie der Einführung in das nationale Recht müssen Elektrowerkzeuge, die nicht mehr im Gebrauch sind, getrennt gesammelt und umweltfreundlich entsorgt werden.

## GARANTIE

Die Garantiebedingungen finden Sie auf der gesondert beigefügten Garantiekarte.

**Das Produkt und das Benutzerhandbuch können geändert werden. Die technischen Daten können ohne Vorankündigung geändert werden.**

## BOVENFREES PRM1015

Hartelijk dank voor de aanschaf van dit Ferm product. Hiermee heeft u een uitstekend product aangeschaft van één van de toonaangevende Europese distributeurs. Alle Ferm producten worden gefabriceerd volgens de hoogste prestatie- en veiligheidsnormen. Deel van onze filosofie is de uitstekende klantenservice die wordt ondersteund door onze uitgebreide garantie. Wij hopen dat u vele jaren naar tevredenheid gebruik zult maken van dit product.



*Lees, voor uw eigen veiligheid en de veiligheid van anderen, deze instructies zorgvuldig voordat u dit apparaat gaat gebruiken. Zo leert u het apparaat beter kennen en vermijdt u onnodige risico's. Bewaar deze gebruiksaanwijzing goed voor toekomstig gebruik.*

### Introductie

De bovenfrees is ontworpen voor het frezen van hout en houtproducten. Controleer de machine op loszittende onderdelen of beschadigingen als gevolg van het transport.

### Inhoud

1. Machinespecificaties
2. Veiligheidsinstructies
3. Montage
4. Gebruik
5. Onderhoud

## 1. MACHINESPECIFICATIES

### Technische specificaties

Voltage	230 V~
Frequentie	50 Hz
Opgenomen vermogen	1300 W
Nullasttoerental	9000-30000/min
Freesdiepte	60 mm
Spantang	6 & 8 mm
Gewicht	3,57 kg
Lpa (geluidsdrukniveau)	87,9+3 dB(A)
Lwa (geluidsvermogenniveau)	98,9+3 dB(A)
Vibratie linker handvat	3,509+1.5 m/s <sup>2</sup>
Vibratie rechter handvat	2,441+1.5 m/s <sup>2</sup>

### Trillingsniveau

Het trillingsemissieniveau, dat in deze gebruiksaanwijzing wordt vermeld, is gemeten in overeenstemming met een gestandaardiseerde test volgens EN 60745; deze mag worden gebruikt om twee machines met elkaar te vergelijken en als voorlopige beoordeling van de blootstelling aan trilling bij gebruik van de machine voor de vermelde toepassingen.

- gebruik van de machine voor andere toepassingen, of met andere of slecht onderhouden accessoires, kan het blootstellingsniveau aanzienlijk verhogen.
- wanneer de machine is uitgeschakeld of wanneer deze loopt maar geen werk verricht, kan dit het blootstellingsniveau aanzienlijk reduceren.

Bescherm uzelf tegen de gevolgen van trilling door de machine en de accessoires te onderhouden, uw handen warm te houden en uw werkwijze te organiseren.

### Inhoud van de verpakking

- 1 Bovenfrees
- 1 Parallelgeleider
- 1 Koolborstelset
- 1 Malgeleider
- 1 Afzuigadapter
- 1 Moersleutel
- 1 4 mm Inbussleutel
- 1 Freeshouder 8 mm (bevestigd op de machine)
- 1 Freeshouder 6 mm
- 6 Freesbits
- 1 Veiligheidsinstructies
- 1 Gebruiksaanwijzing
- 1 Garantiebewijs

### Productinformatie

#### Afb. A, B

- 1. Aan/uit schakelaar
- 2. Handgreep
- 3. Basisplaat
- 4. Bevestigingsschroeven van de parallelgeleider
- 5. Schakelaarvergrendelknop
- 6. Freeshoudermoer
- 7. Spindelvergrendeling
- 8. Freesdiepte instelknop
- 9. Vleugelmoer voor diepte stop
- 10. Diepteaanslag
- 11. Klemhendel

- 12. Freesdiepte schaal aanduiding
- 13. Aanpasknop voor elektronische snelheidscontrole
- 14. Moersleutel
- 15. Freesdiepte fijnstelknop
- 16. Stofafvoer opening
- 17. Parallelgeleider liniaal
- 18. Nulteken
- 19. Parallelgeleider
- 20. Geleiderstaaf
- 21. Dieptemaat
- 22. Schroeven
- 23. Malgeleider
- 24. Stofadapter
- 25. Stofbuis

## 2. VEILIGHEIDSINSTRUCTIES

In deze gebruiksaanwijzing worden de volgende symbolen gebruikt:



*Lees de instructies zorgvuldig.*



*Levensgevaar en risico op verwondingen evenals risico de machine te beschadigen wanneer u de veiligheids-instructies in deze handleiding niet opvolgt.*



*Gevaar voor een elektrische schok.*



*Haal de stekker uit de wandcontactdoos.*



*Variabele snelheidsregeling.*



*Draag oor- en oogbescherming.*



*Draag een stofmasker.*



*Draag beschermende handschoenen.*

### Extra veiligheidsinstructies

- Controleer het werkstuk op belemmeringen op het oppervlak van het materiaal, zoals uitstekende spijkers enz., om de kop van de frees te beschermen.
- Wacht tot de frees volledig tot stilstand is gekomen voordat u blokkerend of gefreesd materiaal rond de frees verwijderd. Gebruik nooit uw vinger hiervoor maar een lange stok.
- Houd uw handen uit de buurt van het te frezen oppervlak.
- Schakel het apparaat onmiddellijk uit wanneer het een ongebruikelijk geluid produceert of sterk vibreert.
- Controleer voor gebruik of alle onderdelen vast zitten, gereedschap is verwijderd enz.



*Controleer altijd of het voltage dat vermeld staat op het apparaat overeenkomt met het elektriciteitsnet.*



*Uw machine is dubbel geïsoleerd, aarding is daarom niet nodig.*

- Gooi oude elektriciteitsnoeren of stekkers altijd meteen weg nadat deze door nieuwe vervangen zijn. Het is gevaarlijk om de stekker van een beschadigd of los netsnoer in het wandcontact te steken.
- Gebruik alleen goedgekeurde verlengkabels voor de machine. De minimum doorsnede van de aders moet 1,5 mm<sup>2</sup> zijn. Wanneer u een kabelhaspel gebruikt moet deze altijd geheel ontrold zijn.



*Verwijder altijd de stekker uit het wandcontact voordat u een accessoire wilt gaan plaatsen.*



*Wacht tot de machine volledig tot stilstand is gekomen en de frees is afgekoeld voordat u de frees gaat vervangen.*

## 3. MONTAGE

### Freeselectie

Afhankelijk van de toepassing en het gebruik zijn vrezen verkrijgbaar in de meest uiteenlopende kwaliteiten en vormen:

Frezen gemaakt van high speed steel (HSS) zijn geschikt voor bewerking van zachte materialen, bijv. zacht hout en kunststof.  
Hard metalen (HM) frezen zijn bij uitstek geschikt voor harde materialen, bijv. hardhout en aluminium.

### Het plaatsen en verwijderen van frezen

#### Afb. C

Gebruik alleen frezen met een asdiameter die overeenkomt met de freeshouder. Gebruik alleen frezen die geschikt zijn voor de maximale snelheid van deze machine. De freesasdiameter mag niet groter zijn dan de maximale diameter (zie 'Technische specificaties').  
Draai de freeshoudermoer nooit aan zonder dat er een frees in de houder zit; de houder kan hierdoor beschadigd raken.

- Druk op de spindelvergrendeling (7) en draai de freeshoudermoer (6) tot deze in de vergrendeling grijpt. Houd tijdens deze procedure de spindelvergrendeling ingedrukt.
- Open de freeshoudermoer met een moersleutel (14).
- Plaats de freesas in freeshouder.
- Draai de freeshoudermoer aan zodat de frees goed vast zit.
- Draai de freeshoudermoer los wanneer u de frees wilt vervangen.

### De parallelgeleider aanpassen

De parallelgeleider is een handig hulpstuk bij het nauwkeurig frezen op een vaste afstand van de rand van een werkstuk.

- Plaats de freesas in freeshouder.
- Schuif de parallelgeleider met de geleiderbeugels in de bodemplaat en zet het vast met de vleugelmoeren.

### De malgeleider bevestigen

#### Afb. D

De malgeleider is een handig hulpstuk om een patroon te frezen.

- Bevestig de malgeleider (23) op de bodemplaat (3) met behulp van de schroeven (22).

### De adapter voor stofafvoer bevestigen

#### Afb. E

Gebruik de stofadapter om het stof af te voeren. In het geval dat de adapter niet bevestigd is op de machine, dient u als volgt te handelen:

- Bevestig de stofadapter (24) met de schroeven (22) op bodemplaaf (3).
- Plaats de stofbuis (25) in de stofafvoer (16).
- Plaats de slang van uw stofzuiger op de stofbuis (25).



Zorg voor een goed zicht op uw werkstuk door de uitlaat achter de machine te houden.

## 4. GEBRUIK

### In- en uitschakelen (Afb. B)

- Schakel de machine in door de ontgrendelingsknop (5) in te drukken en vervolgens op de aan/uit-schakelaar (1) te drukken.
- Om de machine uit te schakelen, laat u de aan/ uit-schakelaar (1) los.

### Gebruikstips

- Na het inschakelen van de machine dient u te controleren of de machine de maximale snelheid heeft bereikt voordat u het werkstuk gaat bewerken.
- Klem het werkstuk vast en zorg ervoor dat het niet kan wegschieten wanneer u aan het frezen bent.
- Houd de machine stevig vast en beweeg het gelijkmatig over het werkstuk. Druk niet op de machine.
- Gebruik geen frezen die tekenen van slijtage vertonen. Versleten frezen hebben een negatief effect op de efficiëntie van de machine.
- Schakel na gebruik altijd eerst de machine uit voordat u de stekker uit het wandcontact haalt.

### Snelheidsinstelling

De gewenste snelheid kan vooraf worden ingesteld met de draaiknop. De snelheid kan ook tijdens het frezen worden gewijzigd.

1 – 2 = lage snelheid

3 – 4 = gemiddelde snelheid

5 – 6 = hoge snelheid

Max = maximale snelheid

De gewenste snelheid is afhankelijk van het materiaal en kan worden vast gesteld door een test. Verder vereisen frezen met een grotere diameter een lagere rotatiesnelheid.

Materiaal	Diameter frezen	Snelheid
Hard hout	>20 mm	1 – 2
	10 – 20 mm	3 – 4
	<10 mm	5 – max
Zacht hout	>20 mm	1 – 3
	10 – 20 mm	3 – 6
	<10 mm	5 – max
Aluminium	>15 mm	1
	<15 mm	1 – 2
Plastic	>15 mm	1 – 2
	<15 mm	2 – 3

Na langdurige perioden gewerkt te hebben met lage snelheden, dient u de machine te laten afkoelen door het een paar minuten - zonder belasting - op een hoge snelheid te laten draaien.

### Hoogte-instelling van de freeskolom

#### Afb. F+B

De klemhendel (11) wordt gebruikt om de maximale hoogte mee in te stellen.

De freesdiepte is daarmee ingesteld. Dit is gebruikelijk wanneer u de frees op een speciale freestafel gebruikt.

Denk erom dat de freeskolom niet vergrendeld is.

De frees kan omlaag worden gedrukt, hierbij drukt u de veren in.

Vergrendel de freeskolom met behulp van de klemhendel.

De frees is nu vergrendeld en zal niet meer omhoog veren.

### De freesdiepte instellen

#### Afb. F+B

De freesdiepte kan worden ingesteld met behulp van de knoppen 8, 9, 11 en 15. Wanneer de freesdiepte juist is ingesteld, kunt u de groef uitfrezen met een nauwkeurigheid van minder dan 0,1 mm.

#### Vorbereiding:

- Plaats de gewenste frees in freeshouder. De frees kan omlaag worden gedrukt, hierbij drukt u de veren in.
- Druk de machine omlaag totdat de frees het hout aanraakt, vergrendel de kolom nu met de klemhendel (11).
- Draai knop 9 los.
- Stel knop 15 in op nul.
- Gebruik knop 8 om de diepte in de laagste



stand in te stellen.

- Draai knop 9 aan (met de klok mee). De freesdiepte is nu ingesteld op precies 0 mm.

Grove instelling:

- Lees de waarde op de schaal (12).
- Draai knop 9 los.
- Draai knop 8 en lees de waarde opnieuw op de schaal. Het verschil tussen deze waarden is de freesdiepte-instelling. Bijvoorbeeld: Wanneer de waarde op de schaal (12) in de nulinstelling 8.5 is en de waarde nadat u aan (8) heeft gedraaid 7.0 is, dan is de freesdiepte ingesteld op 1.5 cm.
- Draai knop 9 opnieuw vast.

Nauwkeurige instelling:

- Draai knop 9 los.
- De bovenste knop (15) staat nog op nul. Draai deze knop een volle slag met de klok mee tot het weer in de nulpositie staat. De freesdiepte is nu 1.0 mm minder.
- Indien gewenst kunt u de freesdiepte accuraat instellen tot minder dan 0.1 mm.
- Draai knop 9 opnieuw vast. Verwijder nu de klemhendel (11).

### Aanpassingen met behulp van de dieptemaat

De dieptemaat maakt het mogelijk om snel te kiezen uit drie verschillende freesdieptes. Deze kunnen tevens worden ingesteld met de diepteaanslag (10).

Voor grotere freesdiepten bevelen wij het aan om meerdere malen te frezen met steeds grotere diepte-instellingen.

- Pas de gewenste freesdiepte aan met behulp van de dieptemaat (21).

## 5. ONDERHOUD



*Controleer of de stekker uit het wandcontact is verwijderd voordat u onderhoud aan de motor van de machine gaat plegen.*

Deze machines zijn ontworpen om gedurende een lange tijd te functioneren met een minimum aan onderhoud. Regelmatige reiniging en een adequate zorg zijn bepalend voor een continu naar tevredenheid werkende machine.

### Reinigen

Reinig de behuizing van de machine regelmatig met een zachte doek, bij voorkeur na ieder gebruik. Houd de ventilatieopeningen vrij van stof en vuil. Gebruik wanneer het vuil moeilijk te verwijderen is een zachte doek die met wat zeepwater bevochtigd is. Gebruik geen oplosmiddelen zoals benzine, alcohol, ammoniak, enz. Deze oplosmiddelen kunnen de kunststofonderdelen beschadigen.

### Probleemoplossingen

Hieronder vindt u mogelijke oorzaken en oplossingen van storingen.

#### 1 Het apparaat is ingeschakeld, maar de motor draait niet

- De stroomketen is onderbroken
  - *Laat de stroomketen repareren*
- Er zijn losse draden in de stekker of het wandcontact
  - *Laat de stekker of het wandcontact repareren*
- De schakelaar is defect
  - *Laat de schakelaar repareren*

#### 2 De frees draait langzaam

- Botte of beschadigde frees
  - *Vervang de frees of laat deze slijpen*
- Variabele snelheid is ingesteld op laag
  - *Verhoog de variabele snelheid*
- Motor is overbelast
  - *Verminder de neerwaartse druk op de frees*

#### 3 Buitensporige trillingen

- Verbogen freesschacht
  - *Vervang de frees*

#### 4 Vonken binnen de behuizing

- Versleten koolborstels
  - *Vervang de koolborstels*

### Defecten

Neem in het geval van een storing, bijv. slijtage van een onderdeel, contact op met het adres op het garantiebewijs. Bijgesloten vindt u een overzicht van alle onderdelen die kunnen worden besteld.

## MILIEU

Om te voorkomen dat de machine beschadigd raakt gedurende het transport dient het stevig verpakt te worden. De meeste verpakkingsmaterialen kunnen worden gerecycled. Breng deze materialen naar de juiste inzamelingspunten.



*Kapotte of afgedankte elektrische of elektronische apparaten moeten worden aangeboden bij een afvalscheidingsstation.*

### Uitsluitend voor EG-landen

Werp elektrisch gereedschap niet weg bij het huisvuil. Volgens de Europese Richtlijn 2012/19/EU voor Afgedankte Elektrische en Elektronische Apparatuur en de implementatie ervan in nationaal recht moet niet langer te gebruiken elektrisch gereedschap gescheiden worden verzameld en op een milieuvriendelijke wijze worden verwerkt.

## GARANTIE

De garantievoorwaarden kunt u vinden op het apart bijgesloten garantiebewijs.

**Het product en de gebruikershandleiding zijn onderhevig aan wijzigingen. Specificaties kunnen zonder opgaaf van redenen worden gewijzigd.**

## DÉFONCEUSE PRM1015

Merci pour votre achat de ce produit Ferm. Vous disposez maintenant d'un excellent produit, proposé par l'un des principaux fabricants européens. Tous les produits que vous fournit Ferm sont fabriqués selon les normes les plus exigeantes en matière de performances et de sécurité. Complété par notre garantie très complète, l'excellence de notre service clientèle forme également partie intégrante de notre philosophie. Nous espérons que vous profiterez longtemps de ce produit.



*Pour votre sécurité pour la sécurité des autres personnes, veuillez lire attentivement ces instructions avant d'utiliser l'appareil. Cela vous aidera à comprendre mieux votre produit et à éviter les risques inutiles. Conservez de manuel d'instructions en lieu sûr pour toute utilisation ultérieure.*

### Introduction

La défonceuse a été conçue pour le fraisage du bois et des produits en bois. Vérifiez que la machine, les pièces et accessoires n'ont pas été endommagées pendant le transport.

### Table des matières

1. Informations sur l'appareil
2. Consignes de sécurité
3. Montage
4. Fonctionnement
5. Entretien

## 1. INFORMATIONS SUR L'APPAREIL

### Caractéristiques techniques

Tension	230 V~
Fréquence	50 Hz
Puissance absorbée	1300 W
Vitesse à vide	9000-30000/min
Profondeur de coupe	60 mm
Mandrin	6 & 8 mm
Poids	3,57 kg
Lpa (pression acoustique)	87,9+3 dB(A)
Lwa (puissance acoustique)	98,9+3 dB(A)
Vibration poignée gauche	3,509+1.5 m/s <sup>2</sup>
Vibration poignée droite	2,441+1.5 m/s <sup>2</sup>

### Niveau de vibrations

Le niveau de vibrations émises indiqué en ce manuel d'instruction a été mesuré conformément à l'essai normalisé de la norme EN 60745; il peut être utilisé pour comparer plusieurs outils et pour réaliser une évaluation préliminaire de l'exposition aux vibrations lors de l'utilisation de l'outil pour les applications mentionnées.

- l'utilisation de l'outil dans d'autres applications, ou avec des accessoires différents ou mal entretenus, peut considérablement augmenter le niveau d'exposition.
- la mise hors tension de l'outil et sa non-utilisation pendant qu'il est allumé peuvent considérablement réduire le niveau d'exposition.

Protégez-vous contre les effets des vibrations par un entretien correct de l'outil et de ses accessoires, en gardant vos mains chaudes et en structurant vos schémas de travail.

### Contenu de l'emballage

- 1 Défonceuse
- 1 Guide parallèle
- 1 Jeu de balais
- 1 Guide de coupe
- 1 Adaptateur pour l'extraction de la poussière
- 1 Clé
- 1 Clé hexagonale de 4 mm
- 1 Mandrin de 8 mm (monté sur la machine)
- 1 Mandrin de 6 mm
- 6 Fraises
- 1 Manuel de consignes de sécurité
- 1 Manuel d'instructions d'utilisation
- 1 Carte de garantie

### Productinformatie

#### Fig. A, B

- 1. Interrupteur Marche/Arrêt
- 2. Poignée
- 3. Embase
- 4. Vis de fixation pour barrière parallèle
- 5. Verrouillage interrupteur
- 6. Ecrou de mandrin
- 7. Verrouillage broche
- 8. Bouton de réglage de la profondeur de plongée
- 9. Boulon à oreilles pour butée de profondeur
- 10. Butée de profondeur
- 11. Levier de serrage
- 12. Echelle de profondeur de plongée
- 13. Volant de réglage pour la commande de vitesse électronique

- 14. Clé
- 15. Bouton de réglage fin de la profondeur de plongée
- 16. Equipement d'extraction de poussière
- 17. Règle de barrière parallèle
- 18. Repère zéro
- 19. Barrière parallèle
- 20. Tige de guidage
- 21. Butée de profondeur rotative
- 22. Vis
- 23. Guide de coupe
- 24. Adaptateur à poussière
- 25. Tuyau à poussière

## 2. CONSIGNES DE SÉCURITÉ

Les symboles suivants sont utilisés dans ce mode d'emploi:



*Lisez attentivement les instructions.*



*Danger de mort et risque de blessures, ainsi que risque de dégâts à la machine en cas de non respect des instructions de sécurité contenues dans ce manuel d'instructions.*



*Danger de choc électrique.*



*Retirer la fiche de la prise de courant.*



*Commande de vitesse variable.*



*Port de protections oculaires et auditives.*



*Port d'un masque antipoussières.*



*Port de gants de protection.*

### Instructions de sécurité supplémentaires

- Vérifiez que les pièces à usiner ne présentent aucune obstruction sur la surface du matériau (clous qui dépassent, etc.) afin de protéger la tête de la défonceuse.
- Attendez que la défonceuse soit complètement arrêtée avant de retirer tout matériau coincé ou fraisé autour de la lame. Utilisez une baguette longue pour cela et n'utilisez jamais vos doigts.
- Tenez vos mains éloignées de la surface de fraisage.
- Arrêtez immédiatement l'outil s'il commence à émettre un bruit inhabituel ou à vibrer de manière excessive.
- Vérifiez que toutes les pièces sont sûres, que les outils sont retirés, etc. avant le début de l'opération.



*Vérifiez toujours que l'alimentation électrique correspond à la tension indiquée sur la plaque signalétique.*



*Votre machine possède une double isolation qui rend superflu le branchement à la terre.*

- Jetez sans délai tous câbles ou prises après qu'ils aient été remplacés par des neufs. Il est dangereux d'insérer la prise d'un câble démonté dans une prise électrique.
- N'utilisez que des rallonges approuvées appropriées par rapport à la puissance absorbée de la machine. La taille minimum du conducteur est de 1.5 mm<sup>2</sup>. Si vous utilisez un câble enroulé, déroulez-le toujours complètement.



*Débranchez toujours votre outil avant d'y monter un accessoire.*



*Attendez que la machine soit complètement arrêtée et que la lame se soit refroidie avant de remplacer la lame.*

## 3. MONTAGE

### Sélection de la fraise

Différents modèles de fraises ayant différentes qualités sont disponibles en fonction du traitement et de l'application:

Les fraises en acier haute vitesse (HSS) sont adaptées pour le travail des matériaux tendres (bois tendre et plastique, par exemple). Les fraises à pointe de carbure (HM) sont particulièrement adaptées aux matériaux durs et abrasifs (bois dur et aluminium, par exemple).

### Montage et inversion des lames

#### Fig. C

N'utilisez que des lames ayant un diamètre d'axe correspondant à la taille du mandrin. N'utilisez que des lames qui sont appropriés à la vitesse maximum de la machine. Le diamètre des lames ne doit pas dépasser la diamètre maximum (voir Spécifications techniques). Ne serrez jamais l'écrou du mandrin s'il n'y a pas de fraise dans le mandrin; le mandrin pourrait être endommagé.

- Appuyez sur le verrouillage de la broche (7) et tournez l'écrou du mandrin (6) jusqu'à ce qu'il s'engage dans le verrouillage. Tenez le verrouillage de la broche enfoncé pendant cette opération.
- Ouvrez l'écrou du mandrin à l'aide de la clé (14).
- Placez l'axe de la lame dans le mandrin.
- Serrez l'écrou du mandrin afin que la lame soit correctement verrouillée.
- Ouvrez l'écrou du mandrin lorsque vous voulez remplacer une lame.

### Réglage de la règle de barrière parallèle

La barrière parallèle est un outil utile pour le fraisage de précision à une distance fixe du bord de la pièce à usiner.

- Placez la lame désirée dans l'outil.
- Faites glisser le guide parallèle avec les tiges de guidage dans l'embase et serrez à la mesure voulue avec les boulons à oreilles.

### Montage du guide de coupe

#### Fig. D

Le guide de coupe est une aide pratique pour la découpe d'un motif.

- Montez le guide de coupe (23) sur l'embase de la défonceuse (3) à l'aide des vis (22).

### Montage de l'adaptateur pour l'extraction de la poussière

#### Fig. E

Utilisez l'adaptateur à poussière pour l'extraction de la poussière. Si l'adaptateur n'est pas monté sur la machine, suivez ces instructions:

- Montez l'adaptateur à poussière (24) avec les vis (22) sur la semelle de la lame (3).
- Placez le tuyau à poussière (25) dans la sortie de poussière (16).
- Placez le tuyau de votre aspirateur sur le tuyau à poussière (25).



*Tenez la sortie de la machine derrière la machine pour avoir une bonne vision de la pièce à usiner.*

## 4. FONCTIONNEMENT

### Mise en marche et arrêt (Fig. B)

- Pour mettre la machine en marche, poussez le bouton de déverrouillage (5), puis appuyez sur l'interrupteur marche/arrêt (1).
- Pour arrêter la machine, relâchez l'interrupteur marche/arrêt (1).

### Conseils d'utilisation

- Après avoir mis à la machine en marche, assurez-vous qu'elle a atteint la vitesse maximum avant de l'utiliser sur la pièce à usiner.
- Serrer la pièce à usiner et assurez-vous qu'elle ne peut pas glisser sous la machine pendant les activités de découpe.
- Tenez la machine fermement et déplacez-la de façon régulière sur la pièce à usiner. Ne forcez pas la machine.
- N'utilisez que des lames qui ne présentent aucun signe d'usure. Les lames usées ont un effet négatif sur l'efficacité de la machine.
- Arrêtez toujours la machine avant de la débrancher de la prise secteur.

### Présélection de la vitesse

La vitesse requise peut être présélectionnée avec la molette. Pendant le fonctionnement, la vitesse de rotation peut également être ajustée.

1 – 2 = vitesse basse  
 3 – 4 = vitesse moyenne  
 5 – 6 = vitesse élevée  
 Max = vitesse maximum

La vitesse requise dépend du matériau et peut être déterminée par l'essai pratique. De plus, les fraises ayant un diamètre plus important ont besoin d'une vitesse de rotation inférieure.

Matériau	Diamètre fraise	Plage de vitesse
Bois dur	>20 mm	1 – 2
	10 – 20 mm	3 – 4
	<10 mm	5 – max
Bois tendre	>20 mm	1 – 3
	10 – 20 mm	3 – 6
	<10 mm	5 – max
Aluminium	>15 mm	1
	<15 mm	1 – 2
Plastique	>15 mm	1 – 2
	<15 mm	2 – 3

Après de longues périodes de travail à vitesse basse, laissez la machine refroidir pendant quelques minutes à vitesse élevée et à vide.

### Réglage de hauteur de la colonne de la défonceuse

#### Fig. F+B

Le levier de serrage (11) est utilisée pour régler la hauteur maximum de la défonceuse.

La profondeur de plongée est ensuite fixe. Cela est habituellement nécessaire lors de l'utilisation de l'outil sur une table de fraisage spéciale.

Assurez-vous que la colonne de la défonceuse n'est pas verrouillée.

La défonceuse peut être enfoncée contre la force du ressort.

Verrouillez la colonne de la défonceuse à l'aide du levier de serrage

La défonceuse est à présent verrouillée et elle ne reviendra plus dans sa position d'origine.

### Réglage de la profondeur de plongée

#### Fig. F+B

La profondeur de plongée peut être réglée en utilisation les boutons 8, 9, 11 et 15. Si la profondeur de plongée est réglée correctement, la rainure en question peut être usinée avec une précision de 0,1 mm.

Préparation:

- Placez la lame désirée dans l'outil.  
La toupie peut être enfoncée contre la force du ressort.
- Poussez l'outil vers le bas jusqu'à ce que la lame touche la pièce à usiner, puis verrouillez-le en utilisant le levier de serrage (11).
- Desserrez le bouton 9.
- Réglez le bouton 15 sur zéro.

- Utilisez le bouton 8 pour régler la profondeur jusqu'en bas.
- Serrez le bouton 9 (vers la droite). La profondeur de plongée est à présent réglée précisément à 0 mm.

Réglage grossier:

- Lisez la valeur de l'échelle (12).
- Desserrez le bouton 9.
- Tournez le bouton 8 et lisez à nouveau la valeur de l'échelle. La différence entre les deux valeurs est le réglage de profondeur de plongée. Par exemple: Si la valeur de l'échelle (12) est 8.5 au réglage zéro et si la valeur est 7.0 après avoir tourné le bouton (8), la profondeur de plongée a été réglée sur 1,5 cm.
- Resserrez le bouton 9.

Réglage fin:

- Desserrez le bouton 9.
- Le bouton supérieur (15) est toujours réglé sur zéro. Tournez ce bouton d'un tour complet vers la gauche jusqu'à le faire revenir en position zéro. La profondeur de plongée est à présent de 1,0 mm de moins.
- Au besoin, la profondeur de plongée peut être réglée avec une précision de l'ordre de 0,1 mm.
- Resserrez le bouton 9.  
Déverrouillez le levier de serrage (11).

### Réglage à l'aide de la butée de profondeur rotative

La butée de profondeur rotative vous permet de choisir rapidement entre trois profondeurs de coupe différentes. Elles sont également déterminées par le réglage de la butée de profondeur (10).

Pour des profondeurs de fraisage plus importantes, il est recommandé d'effectuer plusieurs coupes répétitives avec un taux d'extraction inférieur.

- Ajustez la profondeur de coupe requise en tournant la butée de profondeur rotative (21).

## 5. ENTRETIEN



*Assurez-vous que la machine est débranchée avant d'intervenir sur le moteur.*

Les machines ont été conçues pour fonctionner un maximum de temps avec un minimum

d'entretien. Le fonctionnement satisfaisant de la machine dépend des soins et du nettoyage réguliers qui lui sont apportés.

### Nettoyage

Nettoyez régulièrement le corps de la machine avec un chiffon doux et de préférence après chaque utilisation. Maintenez les fentes d'aération exemptes de particules ou de saletés. Si les saletés ne partent pas, utilisez un chiffon doux humidifié avec une eau savonneuse. N'utilisez jamais de solvants tels que l'essence, l'alcool, l'ammoniaque, etc. Ces solvants peuvent endommager les pièces en plastique.

### Dépannage

La page suivante indique certaines causes et solutions aux pannes possibles.

#### 1 L'interrupteur marche est actionné, mais le moteur ne fonctionne pas

- Le circuit électrique est interrompu
  - *Faites réparer le circuit électrique*
- Des fils de la fiche d'alimentation ou de la prise sont desserrés
  - *Faites vérifier ou réparer la prise et la fiche*
- L'interrupteur est défectueux
  - *Faites réparer l'interrupteur*

#### 2 La défonceuse fonctionne lentement

- Lame émoussée ou endommagée
  - *Affilez ou remplacez la lame*
- Vitesse variable réglée sur bas
  - *Augmentez la vitesse variable*
- Surchauffe du moteur
  - *Réduisez la force de poussée sur la défonceuse*

#### 3 Vibrations excessives

- Manche de lame courbé
  - *Remplacez la lame*

#### 4 Etincelles dans le boîtier

- Balais usagés
  - *Remplacez les balais*

### Pannes

En cas de panne, après l'usure d'une des pièces par exemple, contactez les coordonnées indiquées sur la carte de garantie. Vous trouverez un éclaté vous montrant les pièces qui peuvent être commandées.

## ENVIRONNEMENT

Afin d'éviter tout dégât à la machine durant le transport, cette dernière est fournie dans un emballage solide. La plupart des matériaux d'emballage peuvent être recyclés. Portez des matériaux aux centres de recyclage appropriés.



*Les appareils électriques ou électroniques en panne ou en fin de vie doivent être amenés dans des centres de recyclage appropriés.*

### Uniquement pour les pays CE

Ne jetez pas les outils électriques avec les déchets domestiques. Selon la directive européenne 2012/19/EU « Déchets d'équipements électriques et électroniques » et sa mise en œuvre dans le droit national, les outils électriques hors d'usage doivent être collectés séparément et mis au rebut de manière écologique.

## GARANTIE

Les conditions de garantie figurent séparément sur la carte de garantie jointe.

**Le produit et le manuel d'utilisation sont sujets à modifications. Les spécifications peuvent changer sans autre préavis.**

## ENRUTADOR PRM1015

Gracias por comprar este producto Ferm. Al hacerlo ha adquirido un excelente producto, suministrado por uno de los proveedores líderes en Europa. Todos los productos suministrados por Ferm se fabrican de conformidad con las normas más elevadas de rendimiento y seguridad. Como parte de nuestra filosofía también proporcionamos un excelente servicio de atención al cliente, respaldado por nuestra completa garantía. Esperamos que disfrute utilizando este producto durante muchos años.



*Para su propia seguridad y la de los demás, por favor, lea las presentes instrucciones detenidamente antes de utilizar este aparato. Le ayudará a entender su producto con más facilidad y a evitar riesgos innecesarios. Guarde el presente manual de instrucciones en un lugar seguro para poder acudir a él con posterioridad.*

### Introducción

El enrutador ha sido diseñado para transportar madera y productos de madera. Compruebe la máquina, las partes sueltas y los accesorios por si acaso hubieran sufrido daños durante el transporte.

### Contenido

1. Especificaciones de la máquina
2. Instrucciones de seguridad
3. Montaje
4. Funcionamiento
5. Mantenimiento

## 1. ESPECIFICACIONES DE LA MÁQUINA

### Datos técnicos

Voltaje	230 V~
Frecuencia	50 Hz
Entrada de alimentación	1300 W
Velocidad sin carga	9000-30000/min
Profundidad del corte	60 mm
Portaherramientas	6 & 8 mm
Peso	3,57 kg
Lpa (nivel de presión sonora)	87,9+3 dB(A)
Lwa (nivel sonoro)	98,9+3 dB(A)
Asa izquierda vibratoria	3,509+1.5 m/s <sup>2</sup>
Asa derecha vibratoria	2,441+1.5 m/s <sup>2</sup>

### Nivel de vibración

El nivel de emisión de vibraciones indicado en este manual de instrucciones ha sido medido según una prueba estándar proporcionada en EN 60745; puede utilizarse para comparar una herramienta con otra y como valoración preliminar de la exposición a las vibraciones al utilizar la herramienta con las aplicaciones mencionadas.

- al utilizarla para distintas aplicaciones o con accesorios diferentes o con un mantenimiento deficiente, podría aumentar de forma notable el nivel de exposición.
- en las ocasiones en que se apaga la herramienta o cuando está funcionando pero no está realizando ningún trabajo, se podría reducir el nivel de exposición de forma importante.

Protéjase contra los efectos de la vibración realizando el mantenimiento de la herramienta y sus accesorios, manteniendo sus manos calientes y organizando sus patrones de trabajo.

### Contenidos del embalaje

- 1 Enrutador
- 1 Guía paralela
- 1 Equipo de cepillos de carbón
- 1 Guía de modelo
- 1 Adaptador para la extracción del polvo
- 1 Llave inglesa
- 1 Llave hexagonal de 4mm
- 1 Portaherramientas de 8 mm (unido a la máquina)
- 1 Portaherramientas de 6 mm
- 6 Bits de enrutador
- 1 Instrucciones de seguridad
- 1 Instrucciones de funcionamiento
- 1 Tarjeta de garantía

### Información del producto

#### Fig. A, B

- 1. Interruptor de encendido/apagado
- 2. Asa
- 3. Placa base
- 4. Fijación de tuercas para la hendidura paralela
- 5. Botón de bloqueo del interruptor
- 6. Perno del portaherramientas
- 7. Bloqueo del husillo
- 8. Botón de ajuste de profundidad de inmersión
- 9. Perno de ala para tope de profundidad
- 10. Tope de profundidad
- 11. Palanca de sujeción

- 12. Escala de profundidad de inmersión
- 13. Rueda de ajuste para el control de la velocidad electrónica
- 14. Llave inglesa
- 15. Botón de sintonización de profundidad de inmersión
- 16. Instalación de extracción del polvo
- 17. Regla de hendidura paralela
- 18. Marca de cero
- 19. Hendidura paralela
- 20. Barra de guía
- 21. Revólver de tope de profundidad
- 22. Tuercas
- 23. Guía de modelo
- 24. Adaptador de polvo
- 25. Tubo de polvo

## 2. INSTRUCCIONES DE SEGURIDAD

En este manual de instrucciones se utilizan los siguientes símbolos:



*Lea las instrucciones detenidamente.*



*Peligro de muerte y riesgo de daños personales así como riesgo de daños materiales a la máquina en caso de un incumplimiento de las instrucciones de seguridad incluidas en las presentes instrucciones de uso.*



*Peligro de electrocución.*



*Saque la toma del enchufe de red.*



*Control de velocidad variable.*



*Obligación de utilizar protección para los ojos y los oídos.*



*Lleve una máscara contra el polvo.*



*Lleve guantes de protección.*



### Instrucciones de seguridad adicionales

- Por favor, compruebe que las piezas de trabajo carecen de obstrucción alguna en la superficie del material, como las tuercas que sobresalgan, etc. para proteger la cabeza del enrutador.
- Espere hasta que el enrutador se haya parado al completo antes de sacar cualquier material bloqueado o enrutado alrededor del cortador. Utilice un palo largo para ello y nunca sus dedos.
- Por favor, mantenga sus manos lejos de la superficie de enrutamiento.
- Apague inmediatamente la herramienta si empieza a producir cualquier ruido anormal o si empieza a vibrar de manera excesiva.
- Por favor, compruebe que todas las partes son seguras, que las herramientas se han retirado, etc. antes de operar con el aparato.



*Se verificará siempre que la tensión de red corresponde con la especificada en la placa de modelo.*



*Su máquina está dotada de un aislamiento doble, y por lo tanto, no necesita ninguna conexión a tierra.*

- Deséchense los cables y conectores una vez sustituidos inmediatamente. Es peligroso conectar el enchufe de un cable defectuoso a una toma de corriente.
- Utilice exclusivamente un cable de extensión aprobado para la entrada de alimentación de la máquina. El tamaño mínimo del conductor es 1.5 mm<sup>2</sup>. Cuando utilice una bobina de cable, deshaga siempre la bobina al completo.



*Antes de montar un accesorio, desconecte la herramienta siempre.*



*Espere hasta que la máquina se pare por completo y el cortador se haya enfriado antes de cambiar el cortador.*

## 3. MONTAJE

### Selección de variables del enrutador

En función del tratamiento y de la aplicación, las variables del enrutador se encuentran disponibles en la mayoría de los diseños y calidades: Las variables del enrutador hechas de acero de alta velocidad (HSS) son ideales para trabajar

con materiales suaves, como por ejemplo, la madera suave y el plástico.

Las variables del enrutador de carburo en puntas (HM) son concretamente ideales para los materiales duros y abrasivos, como por ejemplo, la madera dura y el aluminio.

### Montaje y retirada de los cortadores

#### Fig. C

Utilice sólo cortadores con un diámetro de eje que corresponda al tamaño del portaherramientas. Utilice sólo cortadores que sean adecuados para la máxima velocidad de la máquina. El diámetro del cortador no deberá superar el diámetro máximo (véanse las "Especificaciones técnicas"). No apriete nunca el perno del portaherramientas, si no hay ninguna variante de enrutador en el portaherramientas; el portaherramientas podrá sufrir daños.

- Pulse el bloqueo del husillo (7) y gire el perno del portaherramientas (6) hasta que se enganche en el bloqueo. Mantenga pulsado el bloqueo del husillo durante este procedimiento.
- Abra el perno del portaherramientas utilizando la llave inglesa (14).
- Coloque el husillo del cortador en el portaherramientas.
- Ajuste el perno del portaherramientas de forma que el cortador se bloquee adecuadamente.
- Abra el perno del portaherramientas cuando desee cambiar el cortador.

### Ajuste de la regla de la hendidura paralela

La hendidura paralela es una herramienta de gran utilidad para el enrutamiento de precisión a una distancia fija del borde de la pieza de trabajo.

- Coloque el cortador deseado en la herramienta.
- Introduzca la guía paralela con las barras de guía en la placa de base y apriete adecuadamente a su medida con los pernos de ala.

### Montaje de la guía de modelo

#### Fig. D

La guía de modelo es una ayuda de gran utilidad para cortar cualquier modelo.

- Monte la guía de modelo (23) en la base del enrutador (3) utilizando las tuercas (22).

## Montaje del adaptador para la extracción del polvo

### Fig. E

Utilice el adaptador de polvo para la extracción de polvo. Si el adaptador no está montado en la máquina, siga estas instrucciones:

- Monte el adaptador de polvo (24) con las tuercas (22) en la base del cortador (3).
- Coloque el tubo de polvo (25) en la salida de polvo (16).
- Coloque el tubo de su aspiradora en el tubo de polvo (25).



*Mantenga la salida de la máquina tras la máquina para lograr una buena visualización de la pieza de trabajo.*

## 4. FUNCIONAMIENTO

### Encendido y apagado (Fig. B)

- Para encender la máquina, apriete el botón de desbloqueo (5) y después pulse el interruptor de encendido/apagado (1).
- Para apagar la máquina, suelte el interruptor de Encendido/Apagado (1).

### Consejos de uso

- Tras encender la máquina, compruebe que la máquina alcanza la máxima velocidad antes de utilizarla en la pieza de trabajo.
- Agarre la pieza de trabajo y compruebe que la pieza de trabajo no puede salir por debajo de la máquina durante las actividades de corte.
- Mantenga firmemente la máquina y mévala suavemente por la superficie de trabajo. No fuerce la máquina.
- Utilice sólo los cortadores que no muestran ningún indicio de desgaste. Los cortadores gastados tienen un efecto negativo en la eficacia de la máquina.
- Apague siempre la máquina primeramente antes de sacar el cable del enchufe.

### Preselección de velocidades

La velocidad requerida puede ser preseleccionada con una ruedecilla. Del mismo modo, durante el funcionamiento de la velocidad rotativa, la velocidad puede ajustarse.

1 – 2 = baja velocidad  
 3 – 4 = velocidad media  
 5 – 6 = velocidad alta  
 Max = máxima velocidad

Las velocidades necesarias dependen del material y pueden determinarse mediante una prueba práctica. Además, las variantes del enrutador con gran diámetro necesitan una velocidad rotativa.

Material	Diámetro	Variante del enrutador
Madera dura	>20 mm	1 – 2
	10 – 20 mm	3 – 4
	<10 mm	5 – max
Madera blando	>20 mm	1 – 3
	10 – 20 mm	3 – 6
	<10 mm	5 – max
Aluminio	>15 mm	1
	<15 mm	1 – 2
Plástico	>15 mm	1 – 2
	<15 mm	2 – 3

Tras largos periodos de funcionamiento a baja velocidad, deje que la máquina se enfríe dejándola funcionar varios minutos a velocidad alta sin ninguna carga.

### Fijación de la altura de la columna del enrutador Fig. F+B

La palanca de sujeción (11) se utiliza para fijar la altura máxima del enrutador.

La profundidad de inmersión se fija a continuación. Esto es normalmente necesario cuando se usa la herramienta en una mesa de enrutador especial.

Compruebe que la columna del enrutador no está bloqueada.

El enrutador puede empujarse frente a la fuerza de la anilla.

Bloquee la columna del enrutador usando la palanca de agarre

Ahora, el enrutador estará bloqueado y no regresará a su posición original.

### Fijar la profundidad de inmersión

#### Fig. F+B

La profundidad de inmersión puede ajustarse utilizando los botones 8, 9, 11 y 15. Si la profundidad de inmersión se fija correctamente, la ranura en cuestión puede dirigirse precisamente en unos 0,1 mm.

**Preparación:**

- Coloque el cortador deseado en la herramienta.  
El enrutador puede empujarse frente a la fuerza de la anilla.
- Empuje la herramienta hacia abajo hasta que el cortador toque la pieza de trabajo, a continuación, bloquéela utilizando la palanca de agarre (11).
- Afloje el botón 9.
- Fije el botón 15 en cero.
- Utilice el botón 8 para fijar la profundidad a lo largo de todo el camino.
- Apriete el botón 9 (en sentido de las agujas del reloj). La profundidad de inmersión está fijada ahora precisamente en 0 mm.

**Ajuste preliminar:**

- Lea el valor de la balanza (12).
- Afloje el botón 9.
- Gire el botón 8 y vuelva a leer el resultado de la balanza. La diferencia entre ambos valores es la fijación de la profundidad de inmersión. Por ejemplo: Si el valor en la escala (12) es 8.5 en la fijación cero y el valor es 7.0 tras girar el botón (8), la profundidad de inmersión será de 1.5 cm.
- Vuelva a apretar el botón 9.

**Ajuste fino:**

- Afloje el botón 9.
- El botón superior (15) aún sigue estando fijado en cero. De a este botón un giro completo en sentido contrario al de las agujas del reloj, hasta que vuelva a la posición cero. La profundidad de inmersión ahora es de 1.0 menos.
- Si es necesario, la profundidad de inmersión podrá fijarse precisamente en 0,1 mm.
- Vuelva a apretar el botón 9.  
Desbloquee la palanca de agarre (11).

**Ajuste utilizando el tope de profundidad del revólver**

El tope de profundidad del revólver le permite elegir rápidamente entre las distintas profundidades de corte. También están determinados por el ajuste del tope de profundidad (10).  
Para profundidades de enrutamiento mayores, se aconseja llevar a cabo varios cortes repetitivos con índices de retirada inferiores.

- Ajuste la profundidad de corte necesaria girando el tope de profundidad del revólver (21).

**5. MANTENIMIENTO**

*Asegúrese de desconectar la máquina de la red eléctrica cuando se tengan que realizar trabajos de mantenimiento en el motor.*

Los aparatos han sido diseñados para funcionar durante un periodo muy largo de tiempo con un mantenimiento mínimo. La continuación de su funcionamiento satisfactorio dependerán del cuidado adecuado de la máquina y de la limpieza regular de la misma.

**Limpieza**

Limpie las cubiertas de la máquina periódicamente con un paño suave, preferiblemente después de cada uso. Mantenga las ranuras de ventilación libres de toda suciedad y polvo. Si no consigue eliminar la suciedad, utilice un paño suave humedecido con agua y jabón. No utilice nunca disolventes, como pueden ser gasolina, alcohol, amoníaco, etc. Este tipo de productos puede dañar las piezas de plástico.

**Averías**

En la siguiente página, verá algunas de las causas más corrientes y soluciones a los posibles fallos.

**1 El interruptor de funcionamiento está encendido, pero el motor no funciona**

- El circuito eléctrico está roto
  - *Haga que un técnico repare el circuito eléctrico*
- Los cables en la toma de alimentación o en el enchufe están sueltos
  - *Haga que un técnico compruebe o repare la toma y el enchufe*
- El interruptor está defectuoso
  - *Haga que un técnico repare el enchufe*

**2 El enrutador funciona lentamente**

- Cortador dañado o estropeado
  - *Vuelva a afilar o a cambiar el cortador*
- La velocidad variable se ha fijado baja
  - *Aumente la velocidad variable*
- El motor está sobrecargado
  - *Reduzca la fuerza de empuje en el enrutador*

### 3 Vibración excesiva

- Vástago del cortador de unión
  - *Cambie el cortador*

### 4 Chispas dentro de la carcasa

- Los cepillos de carbón están usados
  - *Cambie los cepillos de carbono*

### Fallos

Si tiene lugar algún fallo, por ejemplo, después del desgaste de una pieza, póngase en contacto con la dirección del servicio técnico que figura en la tarjeta de garantía. Adjunto encontrará un desglose con el despiece de los componentes que podrá solicitar por pedido.

## MEDIO AMBIENTE

Para evitar daños a la máquina durante el transporte, se entrega en un paquete resistente. La mayoría de los materiales de empaquetado pueden reciclarse. Lleve esos materiales a los lugares de reciclaje adecuados.



*Los aparatos eléctricos o electrónicos averiados o fuera de servicio se desecharán en los puntos de reciclaje pertinentes.*

### Sólo para países CE

No deseche las herramientas eléctricas con los residuos domésticos. De conformidad con la Directiva Europea 2012/19/EU sobre residuos de aparatos eléctricos y electrónicos y su implementación en el derecho nacional, las herramientas eléctricas que dejen de funcionar deben recogerse por separado y desecharse de forma respetuosa con el medio ambiente.

## GARANTÍA

Las condiciones de la garantía se encuentran en la tarjeta de garantía adjunta.

**El producto y el manual de usuario están sujetos a cambios. Las especificaciones pueden modificarse sin previo aviso.**

## FRESADORA PRM1015

Obrigado por adquirir este produto Ferm. Trata-se de um produto excelente, fabricado por um dos fornecedores líderes na Europa. Todos os produtos fornecidos pela Ferm são fabricados em conformidade com os mais elevados requisitos de desempenho e segurança. Como parte da nossa filosofia, oferecemos uma excelente assistência ao cliente, apoiada pela nossa garantia abrangente. Esperamos que desfrute deste produto por muitos anos.



*Para a sua segurança e para a segurança de outras pessoas, leia atentamente estas instruções antes de utilizar este aparelho. Irão ajudá-lo a compreender mais facilmente o seu produto e a evitar riscos desnecessários. Guarde este manual de instruções num local seguro para utilização futura.*

### Introdução

O router foi concebido para a fresagem de madeira e produtos de madeira. Verifique se se encontram peças ou acessórios soltos no interior da máquina resultantes de danos de transporte.

### Índice

1. Especificações da máquina
2. Instruções de segurança
3. Montagem
4. Funcionamento
5. Manutenção

## 1. ESPECIFICAÇÕES DA MÁQUINA

### Especificações técnicas

Tensão	230 V~
Frequência	50 Hz
Potência de entrada	1300 W
Velocidade sem carga	9000-30000/min
Profundidade de corte	60 mm
Pinça de torno	6 & 8 mm
Peso	3,57 kg
Lpa (pressão acústica)	87,9+3 dB(A)
Lwa (potência acústica)	98,9+3 dB(A)
Pega vibratória esquerda	3,509+1.5 m/s <sup>2</sup>
Pega vibratória direita	2,441+1.5 m/s <sup>2</sup>

### Nível de vibração

O nível de emissão de vibrações indicado na parte posterior deste manual de instruções foi medido de acordo com um teste normalizado fornecido na EN 60745; pode ser utilizado para comparar uma ferramenta com outra e como uma avaliação preliminar de exposição à vibração quando utilizar a ferramenta para as aplicações mencionadas.

- utilizar a ferramenta para diferentes aplicações ou com acessórios diferentes ou mantidos deficiente, pode aumentar significativamente o nível de exposição.
- o número de vezes que a ferramenta é desligada ou quando estiver a trabalhar sem fazer nada, pode reduzir significativamente o nível de exposição.

Proteja-se contra os efeitos da vibração, mantendo a ferramenta e os acessórios, mantendo as mãos quentes e organizando os padrões de trabalho.

### Conteúdo da embalagem

- 1 Fresadora
- 1 Guia paralelo
- 1 Conjuntos de escovas
- 1 Guia modelo
- 1 Adaptador para extracção de pó
- 1 Chave de fendas
- 1 Chave hexadecim de 4 mm
- 1 Pinça de torno de 8 mm (montada na máquina)
- 1 Pinça de torno de 6 mm
- 6 Fresas
- 1 Instruções de segurança
- 1 Manual de instruções
- 1 Cartão de garantia

### Informação do produto

#### Fig. A, B

- 1. Botão Ligar/Desligar
- 2. Pega
- 3. Placa de base
- 4. Parafusos de fixação para cerca paralela
- 5. Botão de bloqueio do interruptor
- 6. Porca da fresa
- 7. Bloqueio do fuso
- 8. Botão de ajuste de profundidade de imersão
- 9. Parafuso de orelhas para batente de profundidade
- 10. Batente de profundidade
- 11. Manete de fixação

- 12. Régua de profundidade de imersão
- 13. Roda de ajuste para controlo electrónico de velocidade
- 14. Chave de fendas
- 15. Botão de sintonização de profundidade de imersão
- 16. Sistema de extracção de pó
- 17. Régua de cerca paralela
- 18. Marca zero
- 19. Cerca paralela
- 20. Barra de desvio
- 21. Revólver do batente de profundidade
- 22. Parafusos
- 23. Guia modelo
- 24. Adaptador de pó
- 25. Tubo de pó

## 2. INSTRUÇÕES DE SEGURANÇA

Estas instruções de utilização incluem os seguintes símbolos:



*Ler atentamente as instruções.*



*Perigo de vida e risco de lesões, bem como risco de danos na máquina no caso não cumprimento das instruções de segurança indicadas nestas instruções de utilização.*



*Perigo de choque eléctrico.*



*Retirar a ficha da tomada de corrente eléctrica.*



*Controlo de velocidade variável.*



*Utilize protecção auricular e ocular.*



*Usar uma máscara anti-pó.*



*Usar luvas de protecção.*

### Instruções de segurança adicionais

- Verificar se as peças apresentam quaisquer obstruções na superfície do material, tais como pregos salientes, etc., para proteger a cabeça da fresadora.
- Aguardar até que a fresadora pare por completo antes de remover qualquer material bloqueado ou enrolado à volta do cortador. Utilizar uma vara comprida e nunca os dedos.
- Manter as mãos afastadas da superfície de fresagem.
- Desligar imediatamente a ferramenta se começar a emitir ruídos invulgares ou vibração excessiva.
- Verificar se todas as peças estão seguras, todas as ferramentas foram removidas, etc., antes da operação.



*Verificar sempre se a fonte de alimentação corresponde à tensão indicada na placa sinalética.*



*A máquina tem revestimento duplo, não sendo necessária ligação à terra.*

- Deitar fora de imediato cabos ou fichas usadas quando as substituir por novas. É perigoso colocar a ficha de um cabo solto numa tomada de parede.
- Utilizar apenas uma extensão aprovada adequada para a fonte de alimentação da máquina. O tamanho mínimo do condutor é de 1,5 mm<sup>2</sup>. Se utilizar um carro de cabos, soltar sempre a bobina por completo.



*Antes de montar qualquer acessório, desligar sempre a ferramenta.*



*Aguardar até que a máquina pare por completo e que o cortador tenha arrefecido antes de substituir o cortador.*

## 3. MONTAGEM

### Seleção de peças da fresadora

Dependendo do processamento e da aplicação, as peças da fresadora estão disponíveis em vários designs e qualidades diferentes: As peças da fresadora são de aço de alta velocidade (HSS) são adequadas para trabalhar com materiais suaves, por exemplo, madeira suave e plástico.

As peças da fresadora com ponta de carboneto (HM) são especialmente adequadas para materiais duros e abrasivos, por exemplo, madeira dura e alumínio.

### Montagem e remoção dos cortadores

#### Fig. C

Utilizar apenas cortadores com um diâmetro de veio que corresponda ao tamanho da pinça de retorno. Utilizar apenas cortadores que sejam adequados para a velocidade máxima da máquina. O diâmetro do cortador não deve exceder o diâmetro máximo (consulte 'Especificações técnicas').

Nunca apertar a porca de fixação se não houver uma peça da fresadora na porca; a pinça de torno pode ficar danificada.

- Premir o dispositivo de bloqueio do fuso (7) e rodar a porca de fixação (6) até ficar engrenada no sistema de bloqueio. Manter o sistema de bloqueio do fuso premido durante este procedimento.
- Abrir a porca de fixação com a chave de fendas (14).
- Colocar o eixo do cortador na pinça de torno.
- Apertar a porca de fixação para que o cortador fique devidamente bloqueado.
- Abrir a porca de fixação quando quiser substituir um cortador.

### Ajustar a régua de cerca paralela

A cerca paralela é uma ferramenta útil para uma fresagem precisa a uma distância fixa a partir da extremidade da peça.

- Colocar o cortador pretendido na ferramenta.
- Deslizar a guia paralela com as barras de desvio na placa de suporte e aperte-a de acordo com a medida necessárias com as porcas de orelhas

### Montar a guia modelo

#### Fig. D

A guia modelo é uma ajuda prática para cortar um padrão.

- Montar a guia modelo (23) na base da fresadora (3) utilizando os parafusos (22).

### Montar o adaptador para extracção de pó

#### Fig. E

Utilizar o adaptador de pó para a extracção de pó. No caso do adaptador não estar montado na parede, siga as seguintes instruções:

- Montar o adaptador de pó (24) com os parafusos (22) na base do cortador (3).
- Colocar o tubo de pó (25) na saída de pó (16).
- Colocar o tubo do aspirador no tubo de pó (25).



*Manter a saída da máquina atrás do equipamento para uma vista adequada da peça.*

## 4. FUNCIONAMENTO

### Ligar e desligar (Fig. B)

- Para ligar a máquina, empurre o botão de desbloqueio (5) e depois prima o botão para ligar/desligar (1).
- Para desligar a máquina, liberte o interruptor para ligar/desligar (1).

### Sugestões de utilização

- Depois de ligar a máquina, verifique se a máquina atinge a velocidade máxima antes de utilizar a peça.
- Prender a peça e verificar se não desliza debaixo da máquina durante a actividade de corte.
- Manter a máquina firme e movê-la de maneira uniforme sobre a peça. Não forçar a máquina.
- Utilizar apenas cortadores que não apresentem sinais de desgaste. Cortadores gastos têm um efeito negativo na eficiência da máquina.
- Desligar sempre a máquina antes de remover a ficha da tomada.

### Seleção prévia de velocidade

A velocidade pretendida pode ser seleccionada previamente com o selector rotativo. Além disso, durante o funcionamento, pode ajustar a velocidade de rotação.

- 1 – 2 = velocidade baixa
- 3 – 4 = velocidade média
- 5 – 6 = velocidade elevada
- Max = velocidade máxima

A velocidade necessária depende do material e pode ser determinada por testes práticos. Além disso, as peças da fresadora com um diâmetro grande necessitam de uma velocidade de rotação menor.

Material	Diâmetro peça da fresadora	Fases de velocidade
Madeira dura	>20 mm	1 – 2
	10 – 20 mm	3 – 4
	<10 mm	5 – max
Madeira suave	>20 mm	1 – 3
	10 – 20 mm	3 – 6
	<10 mm	5 – max
Alumínio	>15 mm	1
	<15 mm	1 – 2
Plástico	>15 mm	1 – 2
	<15 mm	2 – 3

Depois de trabalhar durante longos períodos a uma velocidade baixa, deixar a máquina a arrefecer, deixando-a ligada durante alguns minutos a uma velocidade elevada sem carga.

### Definição de altura da coluna da fresadora Fig. F+B

A manete de fixação (11) é utilizada para definir a altura máxima da fresadora.

Em seguida, a profunda de imersão é fixada. Isto é normalmente necessário se utilizar a ferramenta numa mesa de fresagem especial. Certificar-se de que a coluna da fresadora não está bloqueada.

A fresadora pode ser premida contra a força da mola.

Bloquear a coluna da fresadora utilizando a manete de fixação

A fresadora está bloqueada e já não volta para a posição original.

### Definir a profundidade de imersão Fig. F+B

A profundidade de imersão pode ser ajustada com os botões 8, 9, 11 e 15. Se a profundidade de imersão estiver definida correctamente, a ranhura em questão pode ser encaminhada para uma distância de 0,1 mm.

### Preparação:

- Colocar o cortador pretendido na ferramenta. A fresadora pode ser premida contra a força da mola.
- Empurrar a ferramenta para baixo até o cortador tocar na peça e depois bloqueie-a com a manete de fixação (11).
- Libertar o botão 9.
- Colocar o botão 15 para zero.

- Utilizar o botão 8 para definir a profundidade para o valor máximo.
- Apertar o botão 9 (para a direita). A profundidade de imersão está agora definida precisamente para 0 mm.

Definição básica:

- Ler o valor da régua (12).
- Libertar o botão 9.
- Rodar o botão 8 e leia novamente o valor indicado no medidor. A diferença entre os dois valores é a definição de profundidade de imersão. Por exemplo: se o valor indicado no medidor (12) for 8,5 na definição zero e o valor for 7,0 depois de ligar o botão (8), isso significa que a profundidade de imersão foi definida para 1,5 cm.
- Apertar novamente o botão 9.

Ajuste fino:

- Libertar o botão 9.
- O botão superior (15) continua definido como zero. Rodar este botão totalmente para a esquerda até atingir a posição zero. A profundidade de imersão tem agora menos 1,0 mm.
- Se necessário, pode definir a profundidade de imersão de maneira precisa para um valor de 0,1 mm.
- Apertar novamente o botão 9.  
Desbloquear a manete de fixação (11).

### Ajustar com o batente de profundidade do revólver

O batente de profundidade do revólver permite escolher rapidamente entre três diferentes profundidades de corte. Estes também são determinados pelo ajuste do batente de profundidade (10).

Para obter maiores profundidades de fresagem, é recomendável efectuar vários cortes repetitivos com intervalos de remoção interiores.

- Ajustar a profundidade de corte pretendida, rodando o batente de profundidade do revólver (21).

## 5. MANUTENÇÃO



*Certificar-se de que a máquina não está ligada à corrente quando executar trabalho de manutenção no motor.*

As máquinas foram concebidas para funcionar durante um longo período de tempo com um mínimo de manutenção. A operação satisfatória contínua depende de cuidados adequados da máquina e de uma limpeza regular.

### Limpeza

Limpar regularmente a caixa da máquina com um pano macio, de preferência após cada utilização. Limpar o pó e a sujidade acumulados nas aberturas de ventilação. Se a sujidade não sair, utilizar um pano macio humedecido com água com sabão. Nunca utilizar solventes, tais como gasolina, álcool, água amoniacal, etc. Estes solventes podem danificar as peças de plástico.

### Avarias

Na página seguinte, encontram-se alguns possíveis motivos e soluções para possíveis falhas.

#### 1 O interruptor de funcionamento está ligado, mas o motor não funciona

- O circuito eléctrico está danificado
  - *Peça para reparar o circuito eléctrico*
- Os fios na ficha de corrente ou na tomada estão soltas
  - *Peça para verificar ou reparar a tomada e a ficha*
- O interruptor está defeituoso
  - *Peça para reparar o interruptor*

#### 2 A fresadora está a funcionar lentamente

- Cortador mal afiado ou danificado
  - *Afiar novamente ou substitua o cortador*
- Velocidade variável reduzida
  - *Aumentar a velocidade variável*
- O motor está sobrecarregado
  - *Reduzir a força de compressão na fresadora*

#### 3 Vibração excessiva

- Haste do cortador dobrada
  - *Substituir o cortador*

#### 4 Faíscas dentro da estrutura

- As escovas estão gastas
  - *Substituir as escovas*

### Falhas

Se ocorrer uma falha, por exemplo, após o desgaste de uma peça, entre em contacto com a pessoa indicada no cartão da garantia. Inclui uma vista expandida, que mostra as peças que podem ser encomendadas.



## AMBIENTE

Para evitar que a máquina sofra danos durante o transporte, é fornecida numa embalagem robusta. A maioria dos materiais da embalagem podem ser reciclados. Levar estes materiais para os locais de reciclagem adequados.



*O equipamento eléctrico/electrónico defeituoso deve ser entregue nos pontos de reciclagem adequados.*

### Apenas para os países da CE

Não coloque as ferramentas eléctricas no lixo doméstico. Em conformidade com a directriz europeia 2012/19/EU relativa a resíduos de equipamentos eléctricos e electrónicos e respectiva implementação na legislação nacional, as ferramentas eléctricas não utilizáveis devem ser recolhidas separadamente e eliminadas de um modo ecologicamente seguro.

## GARANTIA

As condições de garantia estão disponíveis no cartão de garantia fornecido em separado.

**O produto e o manual do utilizador estão sujeitos a alterações. As especificações podem ser alteradas sem aviso prévio.**

## FRESATRICE PRM1015

Grazie per aver acquistato questo prodotto Ferm. Con questo acquisto lei è entrato in possesso di un prodotto di qualità eccellente, distribuito da uno dei principali fornitori in Europa. Tutti i prodotti distribuiti da Ferm sono realizzati in conformità con i più rigidi standard in materia di sicurezza e prestazioni. È nostra filosofia offrire al cliente un servizio di assistenza di eccellente livello, supportato da una garanzia completa. Ci auguriamo che apprezzerà l'uso di questo prodotto per molti anni a venire.



*Per la vostra sicurezza e quella degli altri, leggete attentamente le presenti istruzioni prima di usare questo apparecchio. Vi aiuteranno a capire meglio il prodotto e ad evitare rischi inutili. Conservate il manuale d'istruzioni in un luogo sicuro per uso futuro.*

### Introduzione

La fresatrice è stata progettata per il taglio del legno e dei prodotti in legno. Controllate che la macchina, le parti da montare e gli accessori non abbiano subito danni durante il trasporto.

### Indice

1. Specifiche della macchina
2. Istruzioni di sicurezza
3. Montaggio
4. Funzionamento
5. Manutenzione

## 1. SPECIFICHE DELLA MACCHINA

### Caratteristiche tecniche

Voltaggio	230 V~
Frequenza	50 Hz
Potenza d'ingresso	1300 W
Velocità in assenza di carico	9000-30000/min
Profondità di taglio	60 mm
Pinza	6 & 8 mm
Peso	3,57 kg
Lpa (pressione sonora)	87,9+3 dB(A)
Lwa (potenza sonora)	98,9+3 dB(A)
Vibrazione maniglia sinistra	3,509+1.5 m/s <sup>2</sup>
Vibrazione maniglia destra	2,441+1.5 m/s <sup>2</sup>

### Livello delle vibrazioni

Il livello di emissione delle vibrazioni indicato sul retro di questo manuale di istruzioni è stato misurato in conformità a un test standardizzato stabilito dalla norma EN 60745; questo valore può essere utilizzato per mettere a confronto un l'utensile con un altro o come valutazione preliminare di esposizione alla vibrazione quando si impiega l'utensile per le applicazioni menzionate.

- se si utilizza l'utensile per applicazioni diverse, oppure con accessori differenti o in scarse condizioni, il livello di esposizione potrebbe aumentare notevolmente.
- i momenti in cui l'utensile è spento oppure è in funzione ma non viene effettivamente utilizzato per il lavoro, possono contribuire a ridurre il livello di esposizione.

Proteggersi dagli effetti della vibrazione effettuando la manutenzione dell'utensile e dei relativi accessori, mantenendo le mani calde e organizzando i metodi di lavoro.

### Contenuto della confezione

- 1 Fresatrice
- 1 Guida parallela
- 1 Set spazzole di carbone
- 1 Guida modello
- 1 Adattatore per l'estrazione della polvere
- 1 Chiave
- 1 Chiave esagonale 4mm
- 1 Pinza 8mm (assemblata sulla macchina)
- 1 Pinza 6mm
- 6 Punte della fresatrice
- 1 Istruzioni di garanzia
- 1 Istruzioni per l'uso
- 1 Scheda di garanzia

### Informazioni sul prodotto

#### Fig. A, B

- 1. Interruttore On/off (acceso/spento)
- 2. Maniglia
- 3. Piastra base
- 4. Viti di fissaggio per recinzione parallela
- 5. Pulsante di blocco interruttore
- 6. Dado pinza
- 7. Blocco mandrino
- 8. Pulsante di regolazione profondità di taglio 9. Bullone ad alette per arresto profondità
- 10 Arresto profondità
- 11. Leva di fissaggio
- 12. Scala profondità di taglio
- 13. Manopola di regolazione per il controllo della velocità elettronica

- 14. Chiave
- 15. Pulsante di regolazione fine profondità di taglio
- 16. Sistema di estrazione della polvere
- 17. Regolo di precisione recinzione parallela
- 18. Segno zero
- 19. Recinzione parallela
- 20. Barra guida
- 21. Revolver arresto profondità
- 22. Viti
- 23. Guida modello
- 24. Adattatore della polvere
- 25. Tubo della polvere

## 2. ISTRUZIONI DI SICUREZZA

I seguenti simboli sono usati in queste istruzioni per l'uso:



*Leggere attentamente le istruzioni.*



*Pericolo di morte e rischio di lesioni e danni alla macchina in caso di non osservanza delle istruzioni di sicurezza contenute nelle presenti istruzioni per l'uso.*



*Pericolo di scosse elettriche.*



*Togliere la spina dalla presa di corrente.*



*Controllo di velocità variabile.*



*Protezione obbligatoria di occhi e orecchie.*



*Indossare una maschera antipolvere.*



*Indossare guanti di protezione.*

### Istruzioni di sicurezza aggiuntive

- Esaminare i pezzi da lavoro per eventuali ostruzioni sulla superficie del materiale, come

chiodi sporgenti, ecc., per proteggere la testa della fresatrice.

- Attendere che la fresatrice si sia arrestata completamente prima di togliere qualsiasi materiale bloccato o tagliato intorno alla fresa. Usare un bastone lungo per questo e mai il dito.
- Tenere le mani lontano dalla superficie di taglio.
- Spegnerne immediatamente l'utensile se inizia a produrre un rumore insolito o inizia a vibrare eccessivamente.
- Controllare che tutte le parti siano fissate, gli utensili siano rimossi ecc. prima del funzionamento.



*Controllare sempre che la tensione di alimentazione corrisponda alla tensione indicata sulla targhetta.*



*La macchina è dotata di isolamento doppio, pertanto non è necessario alcun cavo di terra.*

- Eliminare immediatamente vecchi cavi o prese che sono stati sostituiti da nuovi. E' pericoloso inserire in una presa di corrente la spina di un cavo scoperto.
- Usare solo prolunghe approvate adatte alla potenza d'ingresso della macchina. La dimensione minima del conduttore è 1,5mm<sup>2</sup>. Quando si usa una prolunga su un avvolgicavo, srotolarla completamente.



*Prima di montare un accessorio scollegare sempre l'utensile dalla rete elettrica.*



*Attendere che la macchina si sia arrestata completamente e la fresa si sia raffreddata prima di sostituirla.*

### 3. MONTAGGIO

#### Selezione delle punte della fresatrice

A seconda della lavorazione e dell'applicazione, le punte della fresatrice sono disponibili nei design e qualità più svariati:

Le punte di fresatrice fatte di acciaio ad alta velocità (HSS) sono adatte per la lavorazione di materiali morbidi, es. legno morbido e plastica. Le punte di fresatrice in metallo duro (HM) sono particolarmente indicate per materiali duri e abrasivi, es. legno duro e alluminio.

#### Montaggio e rimozione delle frese

##### Fig. C

Usare solamente frese con un diametro dell'albero che corrisponda alle dimensioni della pinza. Usare solamente frese adatte alla velocità massima della macchina. Il diametro della fresa non deve superare il diametro massimo (vedere "Specifiche tecniche").

Non serrare mai il dado della pinza se non è presente la punta della fresatrice nella pinza; la pinza potrebbe essere danneggiata.

- Premere il blocco dell'alberino (7) e girare il dado della pinza (6) finché non si innesta nel blocco. Tenere premuto il blocco dell'alberino durante questa procedura.
- Aprire il dado della pinza con la chiave (14).
- Posizionare l'asse della fresa nella pinza.
- Serrare il dado della pinza in modo che la fresa sia bloccata correttamente.
- Aprire il dado della pinza quando si desidera sostituire una fresa.

#### Regolazione del regolo di precisione della recinzione parallela

La recinzione parallela è uno strumento utile per il taglio di precisione a distanza fissa dall'estremità del pezzo di lavoro.

- Posizionare la fresa desiderata nell'utensile.
- Far scorrere la guida parallela con le sbarre della guida nella piastra di base e serrarle alla misura necessaria con i bulloni ad alette.

#### Montaggio della guida modello

##### Fig. D

La guida modello è uno strumento utile per tagliare uno schema.

- Montare la guida modello (23) sulla piastra della fresatrice (3) con le viti (22).

#### Montaggio dell'adattatore per l'estrazione della polvere

##### Fig. E

Usare l'adattatore della polvere per l'estrazione della polvere. Nel caso in cui l'adattatore non sia montato sulla macchina, seguire queste istruzioni.

- Montare l'adattatore della polvere (24) con le viti (22) sulla base della fresa (3).
- Posizionare il tubo della polvere (25) nell'uscita della polvere (16).
- Posizionare il tubo dell'aspirapolvere sul tubo della polvere (25).



Tenere la presa di uscita della macchina dietro di essa per una buona visione sul pezzo da lavoro.

## 4. FUNZIONAMENTO

### Accensione e spegnimento (Figura B)

- Per accendere l'elettrotensile premere il pulsante di sblocco (5) e successivamente l'interruttore On/Off (1).
- Per spegnere l'elettrotensile rilasciare l'interruttore On/Off (1).

### Suggerimenti d'uso

- Dopo aver acceso la macchina, assicurarsi che raggiunga la piena velocità prima di usarla sul pezzo di lavoro.
- Fissare il pezzo di lavoro e assicurarsi che non possa scivolare da sotto la macchina durante le operazioni di taglio.
- Fissare la macchina saldamente e muoverla in modo uniforme sul pezzo da lavorare. Non sforzare la macchina.
- Usare solamente fresse che non presentano segni di usura. Le fresse usurate hanno un effetto negativo sull'efficienza della macchina.
- Spegnerne sempre la macchina dopo l'uso prima di scollegarla dalla presa a muro.

### Preselezione della velocità

La velocità richiesta può essere preselezionata con il comando a rotella. E' possibile regolare la velocità di rotazione anche durante il funzionamento.

1 – 2 = velocità bassa  
 3 – 4 = velocità media  
 5 – 6 = velocità alta  
 Max = velocità massima

Le velocità richieste dipendono dal materiale e possono essere determinate con una prova pratica. Inoltre, le punte di fresatrice con un diametro largo necessitano di una velocità di rotazione più bassa.

Materiale	Diametro del punta della fresatrice	Stadi di velocità
Legno duro	>20 mm	1 – 2
	10 – 20 mm	3 – 4
	<10 mm	5 – max
Legno morbido	>20 mm	1 – 3
	10 – 20 mm	3 – 6
	<10 mm	5 – max
Alluminio	>15 mm	1
	<15 mm	1 – 2
Plastica	>15 mm	1 – 2
	<15 mm	2 – 3

Dopo periodi prolungati di funzionamento a bassa velocità, lasciare che la macchina si raffreddi facendola funzionare per alcuni minuti ad alta velocità in assenza di carico.

### Impostazione dell'altezza della colonna della fresatrice

#### Fig. F+B

La leva di fissaggio (11) viene utilizzata per impostare l'altezza massima della fresatrice. La profondità di taglio viene quindi fissata. Solitamente questo è necessario quando si utilizza l'utensile su uno speciale banco per fresatrici. Assicurarsi che la fresatrice non sia bloccata. La fresatrice può essere spinta verso il basso contro la forza della molla. Bloccare la colonna della fresatrice con la leva di fissaggio. Ora la fresatrice è bloccata e non tornerà più nella posizione originale.

### Impostazione della profondità di taglio

#### Fig. F+B

La profondità di taglio può essere regolata usando i pulsanti 8, 9, 11 e 15. Se la profondità di taglio è impostata correttamente, la scanalatura in questione può essere tagliata con precisione entro 0,1 mm.

#### Preparazione:

- Posizionare la fresa desiderata nell'utensile. La fresatrice può essere spinta verso il basso contro la forza della molla.
- Spingere l'utensile verso il basso finché la fresa tocca il pezzo di lavoro, quindi bloccarlo con la leva di fissaggio (11).
- Allentare il pulsante 9.

- Impostare il pulsante 15 sullo zero.
- Usare il pulsante 8 per impostare la profondità fino in fondo.
- Serrare il pulsante 9 (in senso orario). Ora la profondità di taglio è impostata precisamente su 0 mm.

Impostazione di massima:

- Leggere il valore dalla scala (12).
- Allentare il pulsante 9.
- Ruotare il pulsante 8 e rileggere il valore dalla scala. La differenza tra i due valori è l'impostazione della profondità di taglio. Per esempio: Se il valore sulla scala (12) è 8,5 nell'impostazione zero e il valore è 7,0 dopo che il pulsante (8) è stato ruotato, allora la profondità di taglio è stata impostata su 1,5 cm.
- Rifissare il pulsante 9.

Regolazione fine:

- Allentare il pulsante 9.
- Il pulsante superiore (15) è ancora impostato su zero. Dare a questo pulsante un giro completo in senso anti-orario finché non torna nella posizione zero. Ora la profondità di taglio è di 1,0 mm in meno.
- Se necessario, la profondità di taglio può essere impostata accuratamente entro 0,1 mm.
- Rifissare il pulsante 9.  
Sbloccare la leva di fissaggio (11).

### Regolazione con il revolver di arresto della profondità

Il revolver di arresto della profondità consente di scegliere rapidamente tra tre diverse profondità di taglio. Queste sono inoltre determinate tramite la regolazione dell'arresto di profondità (10).

Per profondità di taglio più ampie, si consiglia di eseguire diversi tagli ripetitivi con velocità di rimozione inferiori.

- Regolare la profondità di taglio richiesta ruotando il revolver di arresto della profondità (21).

## 5. MANUTENZIONE



*Assicuratevi che la macchina non sia sotto tensione quando eseguite lavori di manutenzione del motore.*

Le macchine sono state progettate per funzionare a lungo con una manutenzione minima. Un funzionamento continuo e soddisfacente dipende dalla cura appropriata della macchina e da una regolare pulizia.

### Pulizia

Pulire regolarmente la struttura esterna della macchina con un panno morbido, preferibilmente dopo ogni uso. Mantenere le prese d'aria libere da polvere e sporco. Se lo sporco non si stacca usate un panno morbido inumidito di acqua saponata. Non usate mai solventi come benzina, alcol, ammoniaca, ecc. Questi solventi potrebbero danneggiare i componenti in plastica.

### Guasti

Nella pagina successiva troverete alcune cause e soluzioni possibili a eventuali guasti.

#### 1 L'interruttore di funzionamento è acceso, ma il motore non funziona

- Il circuito elettrico è rotto
  - *Far riparare il circuito elettrico*
- I cavi nella spina o presa di corrente sono allentati
  - *Far controllare o riparare la presa e spina*
- L'interruttore è guasto
  - *Far riparare l'interruttore*

#### 2 La fresatrice funziona lentamente

- Fresa smussata o danneggiata
  - *Riaffilare o sostituire la fresa*
- Velocità variabile impostata bassa
  - *Aumentare la velocità variabile*
- Il motore è sovraccarico
  - *Ridurre la forza di spinta sulla fresa*

#### 3 Vibrazione eccessiva

- Codolo della fresa piegato
  - *Sostituire la fresa*

#### 4 Scintille all'interno dell'alloggiamento

- Le spazzole di carbone sono usurate
  - *Sostituire le spazzole di carbone*

### Guasti

In caso di guasto, per esempio a causa dell'usura di un pezzo, si prega di contattare il servizio di assistenza indicato sulla scheda di garanzia. Troverete inclusa una vista esplosa indicante le parti che possono essere ordinate.

## L'AMBIENTE

Per impedire danni alla macchina durante il trasporto, essa è fornita in un solido imballaggio. La maggior parte dei materiali di imballaggio possono essere riciclati. Portare questi materiali agli appropriati punti di riciclaggio.



*Apparecchi elettrici o elettronici difettosi o obsoleti devono essere smaltiti negli appositi centri di riciclaggio.*

### Soltanto per paesi CE.

Non smaltire gli elettrodomestici nei contenitori per rifiuti domestici. Ai sensi della Direttiva 2012/19/EU del Parlamento europeo in materia di Rifiuti da apparecchiature elettriche ed elettroniche e della relativa attuazione nell'ambito della legislazione nazionale, gli elettrodomestici inutilizzabili devono essere raccolti separatamente e smaltiti in modo ecocompatibile.

## GARANZIA

Le condizioni di garanzia sono riportate nella scheda di garanzia allegata separatamente.

**Questo prodotto ed il presente manuale utente sono soggetti a modifiche. Le specifiche possono essere modificate senza preavviso.**

## HANDÖVERFRÄS PRM1015

Tack för att du valde denna Ferm-produkt. Du har nu fått en utmärkt produkt, levererad av en av Europas ledande leverantörer. Alla produkter som levereras från Ferm är tillverkade enligt de högsta standarderna för prestanda och säkerhet. Som en del av vår filosofi ingår även att vi tillhandahåller en utmärkt kundservice, som även backas upp av vår omfattande garanti. Vi hoppas att du kommer att ha glädje av denna produkt i många år.



*För din egen säkerhet och för andras, läs vänligen dessa instruktioner noggrant innan produkten tas i bruk. Du kommer att förstå produkten bättre och kan på så sätt undvika onödiga risker. Spara denna bruksanvisning på ett säkert ställe för framtida bruk.*

### Inledning

Handöverfräsen är lämpd för fräsning av trä och träprodukter. Kontrollera om maskinen har, lösa delar eller om tillbehör uppvisar transportskador.

### Innehåll

1. Maskinspecifikationer
2. Säkerhetsföreskrifter
3. Montering
4. Användning
5. Underhåll

## 1. MASKINSPECIFIKATIONER

### Tekniska specifikationer

Spänning	230 V~
Frekvens	50 Hz
Effektförbrukning	1300 W
Varvtal obelastad	9000-30000/min
Fräsdjup	60 mm
Spännchuck/spännhylsa	6 & 8 mm
Vikt	3,57 kg
Lpa (bullernivå)	87,9+3 dB(A)
Lwa (bullereffekt)	98,9+3 dB(A)
Vibrationsvärde i vänstra handtaget	3,509+1.5 m/s <sup>2</sup>
Vibrationsvärde i högra handtaget	2,441+1.5 m/s <sup>2</sup>

### Vibrationsnivå

Vibrationsemissionsvärdet som står på baksidan av den här instruktionsboken har uppmätts enligt ett standardiserat test i enlighet med EN 60745; detta värde kan användas för att jämföra vibrationen hos olika verktyg och som en ungefärlig uppskattning av hur stor vibration användaren utsätts för när verktyget används enligt det avsedda syftet.

- om verktyget används på ett annat än det avsedda syftet eller med fel eller dåligt underhållna tillbehör kan detta drastiskt öka vibrationsnivån.
- när verktyget stängs av eller är på men inte används, kan detta avsevärt minska vibrationsnivån.

Skydda dig mot vibration genom att underhålla verktyget och dess tillbehör, hålla händerna varma och styra upp ditt arbetssätt.

### Innehåll i förpackningen

- 1 Överfräs
- 1 Parallellanslag
- 1 Kolborstset
- 1 Schablonledare
- 1 Adapter för spånutsugning
- 1 Skruvnyckel
- 1 4mm Sexkantsnyckel
- 1 Chuck 8mm (monterat på maskinen)
- 1 Chuck 6mm
- 6 Fräsverktyg
- 1 Säkerhetsanvisningar
- 1 Bruksanvisning
- 1 Garantikort

### Produktinformation

#### Fig. A, B

- 1. På/Av- Knapp
- 2. Handtag
- 3. Bottenplatta
- 4. Låsskruvar för parallellanslag
- 5. Inkopplingsspärr
- 6. Spännhylsa
- 7. Spindellåsning
- 8. Knapp för inställning av fräsdjup
- 9. Vingskruv för djupanslag
- 10. Djupanslag
- 11. Spännarm
- 12. Skala för fräsdjup
- 13. Ställratt för elektronisk varvtalsreglering
- 14. Skruvnyckel
- 15. Fininställning av fräsdjup

- 16. Spånutsug
- 17. Skala för parallellanslag
- 18. Nollmärke
- 19. Parallellanslag
- 20. Styrstång
- 21. Djupstoppstång
- 22. Skruvar
- 23. Schablonledare
- 24. Dammadapter
- 25. Dammrör

## 2. SÄKERHETSANVISNINGAR

I denna bruksanvisning används följande symboler:



*Läs instruktionerna noggrant.*



*Anger att det föreligger risk för personskador, livsfara eller risk för skador på maskinen om instruktionerna i denna bruksanvisning inte efterlevs.*



*Anger risk för elektrisk stöt.*



*Tag ur kontakten ur huvudkontakten.*



*Inställningsbar hastighetskontroll.*



*Bär hörselskydd och skyddsglasögon.*



*Använd munskydd mot damm.*



*Använd skyddshanskar.*

### Ytterligare säkerhetsinstruktioner

- Vänligen kontrollera arbetsstycket om det finns något hinder på materialytan, som utstickande spikar etc, för att skydda fräshuvudet.
- Vänta tills handöverfräsen har stannat helt innan du tar bort material eller frässpån som har fastnat runt fräsverktyget. Använd en lång pinne för detta och inte ditt finger.

- Vänligen håll händerna borta från fräsytan
- Stäng omedelbart av verktyget så fort det börjar låta konstigt eller vibrera för mycket.
- Vänligen kontrollera att alla delar är säkra, verktyg är borttagna etc. innan du börjar.



*Kontrollera alltid att energitillförseln motsvarar spänningen på märkplåten.*



*Din maskin är dubbelt isolerad, vilket innebär att det inte behövs någon jordledning.*

- Släng omedelbart bort gamla kablar eller stickkontakter så fort de har ersatts av nya exemplar. Det är farligt att sticka in stickkontakten av en lös kabel i vägguttaget.
- Använd uteslutande en godkänd förlängningskabel som är lämplig för maskinens effekt. Min. ledarestorlek är 1.5 mm<sup>2</sup>. När du använder kabelrulle linda alltid av rullen helt.



*Dra omedelbart ut nätkontakten ur vägguttaget om nätsladden skadas och även under rengöring och underhåll*



*Vänta med att byta fräs under arbetet tills maskinen har stannat helt och fräsverktyget har svalnat.*

### 3. MONTERING

#### Fräsverktygsurval

Beroende på hantering och tillämpning finns det fräsverktyg tillgängliga i de flesta utformningar och kvaliteter:

Fräsverktyg gjorda av snabbstål (HSS) är lämpliga för arbeten utförda på mjuka material, dvs mjukare träsorter och plast. Fräsverktyg av hårdmetallskär (HM) är speciellt lämpliga för hårdträsorter och sträva material, dvs hårt trä och aluminium.

#### Montering och avlägsnande av fräsverktyg Fig. C

Används fräsverktyg vars skaftdiameter överrenskommer med spännstångens mått. Använd endast fräsverktyg som är lämpade för maskinens maximala varvtal. Fräsdiametern för inte överskrida den maximala diametern (se 'Tekniska specifikationer').  
Dra aldrig åt spännmuttern, om det inte finns ett

fräsverktyg i spännstången. Spännstången kan komma till skada.

- Tryck in spindellåset (7) och vrid spännstångens mutter (6) tills denna griper i låset. Håll under tiden spindellåset intryckt.
- Lossa spännstångens mutter med den bifogade skruvnyckeln (14).
- Placera fräsverktygets skaft i spännstången.
- Drag åt spännstångens mutter tills verktyget sitter fast ordentligt.  
Lossa åter spännstångens mutter för byta av fräsverktyget.

#### Justera skalan för parallellslag

Parallellanslaget är ett bra verktyg för precisionsfräsning vid ett fast avstånd från arbetsstyckets kant.

- Sätt fast önskat frässtål i maskinen.
- Dra steganslaget med styrstång in mot basplattan och dra åt vid önskat mått med vingmuttrarna.

#### Montera schablonledaren

##### Fig. D

Schablonledaren är lämpad som hjälpmedel vid fräsning efter ett mönster.

- Montera schablonledaren (23) på fräsbasen (3) med hjälp av skruvarna (22).

#### Montering av adaptern för spånutsugning

##### Fig. E

Använd för utsugning av damm. Följ dessa anvisningar i fall adaptern inte är monterad på maskinen:

- Montera dammadaptern (24) med skruvarna (22) på fräsfoten (3).
- Placera dammröret (25) i dammutsläppet (16).
- Sätt dammsugarens rör på dammröret (25).



*Håll adaptorns utlopp bakom maskinen så att du kan se arbetsstycket ordentligt.*

### 4. ANVÄNDNING

#### Igångsättning och avstängning (Fig. B)

- Tryck på upplåsningsskruven (5) och tryck därefter på växelbrytaren (1) för att sätta igång maskinen.



- Frigör växelbrytaren (1) för att stänga av maskinen.

### Användartips

- Då du startar maskinen, se till att den får upp hastigheten innan den används på arbetsstycket
- Kläm fast arbetsstycket eller se på ett annat sätt till att det inte kan glida undan arbetet.
- Håll maskinen stadigt och för den med jämna rörelser över arbetsstycket. Tvinga inte maskinen
- Använd endast fräsverktyg som inte visar slitage. Slitna verktyg reducerar maskinens effektivitet.
- Stäng efter avslutat arbete alltid först av maskinen innan du drar ut kontakten ur vägguttaget.

### Varvtalsinställning

Nödvändigt varvtal kan ställas in i förväg med ställratten. Det går även att justera rotationshastigheten när maskinen är igång.

1 – 2 = låg hastighet  
 3 – 4 = normal hastighet  
 5 – 6 = hög hastighet  
 Max = Högsta hastighet

Varvtalet som krävs beror på vilket material som skall bearbetas och kan fastställas genom praktisk provning. Frässtål med stor diameter kräver dessutom lägre rotationshastighet.

Material	Diameter frässtål	Hastighet
Hårt träslag	>20 mm	1 – 2
	10 – 20 mm	3 – 4
	<10 mm	5 – max
Mjukt träslag	>20 mm	1 – 3
	10 – 20 mm	3 – 6
	<10 mm	5 – max
Aluminium	>15 mm	1
	<15 mm	1 – 2
Plast	>15 mm	1 – 2
	<15 mm	2 – 3

Efter längre arbetsperioder med låg hastighet ska du kyla av maskinen genom att köra den utan belastning på högsta hastighet under ett par minuter.

### Höjdställning av frässpelaren

#### Fig. F+B

Spännarmen (11) används för att ställa in fräsens maximala höjd. Då fixeras fräsdjupet. Detta är vanligtvis nödvändigt när verktyget används på ett speciellt fräsbord. Försäkra dej om att handöverfräskolven inte är låst. Fräsen kan nu tryckas ner mot fjädertrycket. Lås handöverfräs kolven med spännarmen. Fräsen är nu låst och återvänder inte längre till ursprungsläget.

### Ställa in fräsdjupet

#### Fig. F+B

Fräsdjupet kan ställas in med knapparna 8, 9, 11 och 15. Omfäsdjupet är rätt inställt kan spåret i fråga fräsas med en noggrannhet på 0,1 mm.

#### Förberedelse:

- Sätt fast önskat frässtål i maskinen. Fräsen kan nu tryckas ner mot fjädertrycket.
- Tryck ner verktyget tills att fräsen rör arbetsstycket, lås sedan verktyget igen med spännarmen (11).
- Lossa på knappen 9.
- ställ knappen 15 till noll.
- Använd knappen 8 för att ställa djupinställningarna hela vägen ner.
- Dra åt knapp 9 (medurs). Fräsdjupet är nu inställt till exakt 0 mm.

#### Grovinställning:

- Läs av värdet på skalan (12).
- Lossa på knappen 9.
- Vrid knappen 8 och läs av värdet på skalan igen. Skillanden mellan de två värdena är fräsdjupet. Till exempel: Om värdet på skalan (12) är 8.5 vid nollinställningen och värdet är 7.0 efter att du har vridit knappen (8), så är fräsdjupet inställt på 1,5 cm.
- Dra åt knappen 9 igen.

#### Finjustering:

- Lossa på knappen 9.
- Övre knappen (15) är fortfarande ställt till noll. Vrid den här knappen ett helt varv moturs tills den är tillbaka vid nollan. Fräsdjupet är nu 1,0 mm mindre.
- Vid behov kan fräsdjupet ställas in med en noggrannhet på 0.1 mm.
- Dra åt knappen 9 igen.. Lås upp spännarmen (11).

### Inställning med hjälp av revolver-djupanslaget

Mewd revolverdjupstoppet kan du snabbt välja mellan tre olika arbetsdjup. Dessa bestäms även hur djupstoppet (10) är inställt.

För mer djup rekommenderas att utföra flera repeterade fräsningar med i lägre borttagnings volym.

- Ställ in önskat arbetsdjup genom att vrida revolverdjupstoppet (21).

## 5. UNDERHÅLL



*Tillse att maskinen inte är spänningsförande när underhållsarbeten utförs på de mekaniska delarna.*

Maskinen har konstruerats för att under en lång tid fungera problemfritt med ett minimalt underhåll. Kontinuerlig tillfredsställande funktion beror på korrekt skötsel och regelbunden rengöring.

### Rengöring

Rengör maskinhuset regelbundet med en mjuk och ren trasa, helst efter varje användning. Håll ventilationsöppningarna fria från damm och smuts. Om smutsen inte går bort använd en mjuk trasa fuktad med tvålatten. Använd inga lösningsmedel som bensen, alkohol, ammoniak, etc. Sådana ämnen skadar plastdelarna.

### Felsökning

På följande sida finner du möjliga lösningar till eventuella fel.

#### 1 Startknappen är påslagen, men motorn startar inte

- Strömkretsen är trasig
  - *Reparera elkretsen*
- Lösa kablar i huvudkotakten eller i uttaget.
  - *Låt uttag och kontakter kontrolleras eller repareras*
- Strömbrytaren är felande
  - *Reparera strömbrytaren*

#### 2 Handöverfräsen roterar långsamt

- Slött eller skadat fräs-skär
  - *Vässa eller ersätt fräsverktygen*
- Inställbar hastighet satt till lågt
  - *Öka inställbara hastigheten*
- Motorn är överbelastad
  - *Minska tryckeffekten på handöverfräsen*

#### 3 Onormalt vibrerande

- Böjd frässtäng
  - *Ersätt fräsverktyget*

#### 4 Gnistor innanför chassit

- Utslitna kolborstar
  - *Ersätt kolborstarna*

### Fel

Kontakta servicestället som anges på garantibeviset om ett feluppträder. Inkluderat finner du en sprängskiss över de delar som kan beställas.

## MILJÖ

För att undvika transportskador levereras maskinen i en så stadig förpackning som möjligt. Förpackningen har så långt det är möjligt tillverkats av återvinningsbart material. Ta därför tillvara möjligheten att återvinna förpackningen.



*Trasiga och/eller avlagda elektriska eller elektroniska apparater måste lämnas till de speciella återvinningsstationerna.*

### Endast för EU-länder

Släng inte elverktyg i hushållsavfallet. Enligt det europeiska WEEE-direktivet 2012/19/EU för avfall från elektrisk och elektronisk utrustning och dess tillämpning nationellt ska elverktyg som inte längre kan användas samlas in separat och kasseras på ett miljövänligt sätt.

## GARANTI

Garantivillkoren finns på det bifogade garantikortet.

**Med förbehåll för ändringar i produkten och bruksanvisningen. Specifikationer kan ändras utan förvarning.**

## JYRSIN PRM1015

Kiitämme teitä tämän Ferm-tuotteen valinnasta. Olette hankineet erinomaisen tuotteen, jonka valmistaja on yksi Euroopan johtavia toimittajia. Kaikki Ferm-yhtiön toimittamat tuotteet on valmistettu korkeimpien suorituskyky- ja turvallisuusstandardien mukaan. Osana filosofiaamme tarjoamme myös korkealuokkaisen asiakaspalvelun, jota tukee kokonaisvaltainen takuu. Toivomme, että tuote palvelee teitä monia vuosia.



*Oman ja muiden turvallisuuden takaamiseksi nämä ohjeet on luettava huolellisesti ennen laitteen käyttöä. Ohjeiden avulla ymmärrät tuotteen toiminnan ja vältät tarpeettomia riskejä. Säilytä tämä käyttöopas turvallisessa paikassa tulevia käyttökertoja varten.*

### Esittely

Jyrsin on suunniteltu puun ja puutuotteiden jyrsimiseen. Tarkista kone ja varmista, ettei kuljetuksesta aikana siitä ole irronnut osia tai lisävarusteita.

### Sisällysluettelo

1. Konetiedot
2. Turvallisuusohjeet
3. Kokoaminen
4. Käyttö
5. Huolto

## 1. KONETIEDOT

### Tekniset tiedot

Jännite	230 V~
Taajuus	50 Hz
Syöttöteho	1300 W
Kuormittamaton nopeus	9000-30000/min
Leikkaussyvyys	60 mm
Holkki	6 & 8 mm
Paino	3,57 kg
Lpa (äänipaine)	87,9+3 dB(A)
Lwa (ääniteho)	98,9+3 dB(A)
Vasemman kahvan värinä	3,509+1.5 m/s <sup>2</sup>
Oikean kahvan värinä	2,441+1.5 m/s <sup>2</sup>

### Tärinätaso

Tämän ohjekirjan takana mainittu tärinäasteilytaso on mitattu standardin EN 60745 mukaisen standarditestin mukaisesti; sitä voidaan käyttää verrattaessa yhtä laitetta toiseen sekä alustavana tärinälle altistumisen arviona käytettäessä laitetta manituissa käyttötarkoituksissa.

- laitteen käyttö eri käyttötarkoituksiin tai erilaisten tai huonosti ylläpidettyjen lisälaitteiden kanssa voi lisätä merkittävästi altistumistasoa.
- laitteen ollessa sammuksissa tai kun se on käynnissä, mutta sillä ei tehdä työtä, altistumistaso voi olla huomattavasti pienempi.

Suojaudu tärinän vaikutuksilta ylläpitämällä laite ja sen lisävarusteet, pitämällä kädet lämpiminä ja järjestämällä työmenetelmät.

### Pakkauksen sisältö

- 1 Jyrsin
- 1 Rinnakkaisohjain
- 1 Hiiliharjakoonpano
- 1 Malliohjain
- 1 Sovitin pölyn poistoa varten
- 1 Avain
- 1 4 mm kuusiokoloavain
- 1 Holkki 8 mm (asennettu koneeseen)
- 1 Holkki 6mm
- 6 Jyrsinterät
- 1 Turvallisuusohjeet
- 1 Käyttöohjeet
- 1 Takuukortti

### Tuotetiedot

#### Kuva A, B

1. Virtakytkin
2. Kahva
3. Aluslevy
4. Rinnakkaisrajan kiinnitysruuvit
5. Kytkimen lukituspainike
6. Holkkimutteri
7. Karan lukitus
8. Pistosyvyuden säätöpainike
9. Syvyysrajoittimen siipipultti
10. Syvyysrajoitin
11. Lukitusvipu
12. Pistosyvyuden viivain
13. Sähkötoimisen nopeuden säädön säätöpyörä
14. Avain
15. Pistosyvyuden virityspainike
16. Pölyn poistojärjestelmä
17. Rinnakkaisrajan mitta

18. Nollamerkintä
19. Rinnakkaisraja
20. Ohjainvarsi
21. Syvyydenrajoittimen revolveri
22. Ruuvit
23. Malliohjain
24. Pölysovitin
25. Pölyputki

## 2. TURVALLISUUSOHJEET

Tässä käyttöohjeessa käytetään seuraavia symboleja:



*Lue ohjeet huolellisesti.*



*Kuolemanvaara ja henkilövahinkovaara sekä koneen vaurioitumisvaara on olemassa, jos näiden käyttöohjeiden turvallisuusohjeita ei noudateta.*



*Sähköiskuvaara.*



*Irrota pistoke pistorasiasta.*



*Vaihteleva nopeuden säätö.*



*Käytä kuulosuojaimia ja suojalaseja.*



*Käytä hengityssuojainta.*



*Käytä suojakäsineitä.*

### Muita turvallisuusohjeita

- Tarkista työstökappaleet niiden pinnan poikkeamien varalta, kuten ulostulevien naulojen jne. varalta, jyrsinpään suojaamiseksi.
- Odota kunnes jyrsin on pysähtynyt täysin ennen siihen kiinni jääneen tai

jyrsityn materiaalin poistamista jyrsinosan sisältä tai sen ympäriltä. Käytä tähän tarkoitukseen pitkää keppiä, älä koskaan käytä sormia.

- Pidä kädet kaukana jyrsinpinnasta.
- Kytke laite välittömästi pois päältä, jos siitä kuuluu epätavallisia ääniä tai jos se tärisee liikaa.
- Tarkista, että kaikki osat on hyvin paikoillaan, työkalut poistettu jne. ennen laitteen käyttöä.



*Tarkista aina, että virranlähteen voittimäärä vastaa tehokilvessä annettuja lukuja.*



*Koneessa on kaksoiseristys, maadoitusjohtoa ei täten tarvita.*

- Hävitä vanhat liitäntäkaapelit ja pistokkeet heti vaihdettuasi niiden tilalle uudet. On vaarallista työntää viallisen kaapelin pistoke pistorasiaan.
- Käytä ainoastaan hyväksytyä jatkojohtoa, joka sopii koneen syöttötehoon. Johtimen vähimmäiskoko on 1,5 mm<sup>2</sup>. Kun käytät kaapelikelaa, kelaa johto aina kokonaan ulos.



*Irrota kone verkkovirrasta ennen lisälaitteiden asennusta.*



*Odota kunnes kone on pysähtynyt täysin ja että jyrsinosa on jäähtynyt ennen sen vaihtoa.*

## 3. KOKOAMINEN

### Jyrsinterän valinta

Prosessista ja käytöstä riippuen käytettävissä on malliltaan ja laadultaan hyvin erilaisia jyrsinteriä: Pikateräksestä (HSS) tehdyt jyrsinterät sopivat pehmeiden materiaalien käsittelyyn, esim. pehmeän puun ja muovin käsittelyyn. Kovametallikärkiset (HM) jyrsinterät sopivat erityisesti koviin ja kuluttavien materiaalien käsittelyyn, esim. kova puu ja alumiini.

### Jyrsinosien asennus ja poisto

#### Kuva C

Käytä ainoastaan jyrsinosia, joiden akselin halkaisija vastaa holkin kokoa. Käytä ainoastaan jyrsinosia, jotka sopivat koneen maksiminopeuteen. Jyrsinosan halkaisija ei saa ylittää maksimihalkaisijaa (katso 'Tekniset tiedot').

Älä koskaan kiristä holkkimutteria, jos holkissa ei ole jyrsinterää. Holkki voi tällöin vaurioitua.

- Paina karan lukitusta (7) ja käännä holkkimutteria (6), kunnes se kiinnittyy lukitukseen. Pidä karan lukitusta painettuna toimenpiteen aikana.
- Avaa holkkimutteri avaimella (14).
- Aseta jyrsinosan akseli holkkiin.
- Kiristä holkkimutteri niin, että jyrsinosa lukittuu hyvin.
- Avaa holkkimutteri silloin, kun haluat vaihtaa jyrsinosan.

#### Rinnakkaisrajan viivaimen säätö

Rinnakkaisraja on hyödyllinen väline tarkkuusjyrsintään, joka suoritetaan tietyn välimatkan päässä työstökappaleen reunasta.

- Aseta haluamasi jyrsinosa välineeseen.
- Liu'uta ohjausvarsilla varustettu rinnakkaisohjain pohjalevyyyn ja kiristä riittävän kireälle siippulteilla.

#### Malliohjaimen asennus

##### Kuva D

Malliohjain on hyödyllinen apu kuvioiden jyrsimiseen.

- Asenna malliohjain (23) jyrsimen pohjaan (3) ruuveilla (22).

#### Pölyn poistoon tarkoitettujen sovitinien asennus

##### Kuva E

Käytä pölysovitinta pölyn poistamiseen. Jos sovitinta ei ole asennettu koneeseen, noudata näitä ohjeita:

- Asenna pölysovitin (24) jyrsinosan pohjaan (3) ruuveilla (22).
- Aseta pölyputki (25) pölyn poistoaukkoon (16).
- Aseta pölynimuriin putki pölyputkeen (25).



*Pidä koneen poistoaukko koneen takana hyvän näköyhteyden takaamiseksi työstökappaleeseen.*

## 4. KÄYTTÖ

#### Päälle ja pois päältä kytkeminen (kuva B)

- Kytke kone päälle painamalla lukituspainike (5) painamalla sitten virtakytkintä (1).
- Kytke kone pois päältä vapauttamalla virtakytkin (1).

#### Käyttöön liittyviä ohjeita

- Varmista koneen päälle kytkemisen jälkeen, että kone saavuttaa täyden nopeuden ennen työstön aloitusta.
- Lukitse työstökappale paikoilleen ja varmista, ettei se voi luisua koneen alapuolelle työstön aikana.
- Pidä koneesta kiinni tiukasti ja liikuta sitä tasaisesti työstökappaleen päällä. Älä käytä koneeseen voimaa.
- Käytä ainoastaan jyrsinosia, joissa ei ole kulumisen merkkejä. Kuluneet jyrsinosat vaikuttavat negatiivisesti koneen tehokkuuteen.
- Kytke kone aina ensin pois päältä käytön jälkeen ennen kuin irrotat pistokkeen pistorasiasta.

#### Nopeuden esivalinta

Vaadittu nopeus voidaan esivalita säätöpyörällä. Kiertonopeutta voidaan säätää myös käytön aikana.

1 – 2 = alhainen nopeus

3 – 4 = keskisuuri nopeus

5 – 6 = suuri nopeus

Max = maksiminopeus

Vaadittu nopeus riippuu materiaalista ja se voidaan määrittää käytännöllisellä testauksella. Suuren halkaisijan omaavat jyrsinterät vaativat pienemmän kiertonopeuden.

Materiaali	Halkaisija jyrsinterä	Nopeusjaksot
Kova puu	>20 mm	1 – 2
	10 – 20 mm	3 – 4
	<10 mm	5 – max
Pehmeä puu	>20 mm	1 – 3
	10 – 20 mm	3 – 6
	<10 mm	5 – max
Alumiini	>15 mm	1
	<15 mm	1 – 2
Muovi	>15 mm	1 – 2
	<15 mm	2 – 3

Jos konetta käytetään pitkiä aikoja alhaisella nopeudella, anna koneen jäähtyä käyttämällä sitä muutama minuutti korkealla nopeudella ilman kuormitusta.

## Jyrsimen jalustan korkeusasetus

### Kuva F+B

Lukitusvipua (11) käytetään jyrsimen maksimikorkeuden säätämiseen.

Pistosyvyys asetetaan tämän jälkeen. Tämä on yleensä tarpeen käyttäessä konetta erityisellä jyrsinpöydällä.

Varmista, ettei jyrsimen jalusta ole lukittu.

Jyrsin voidaan painaa alas jousta vasten.

Lukitse jyrsimen jalusta lukitusvivulla.

Jyrsin voidaan lukita eikä se enää palaa sen alkuperäiseen asemaan.

## Pistosyvyyden asetus

### Kuva F+B

Pistosyvyys voidaan säätää painikkeilla 8, 9, 11 ja 15. Jos pistosyvyys asetetaan oikein, kyseessä oleva ura voidaan jyrsiä 0,1 mm tarkkuudella.

Valmistelu:

- Aseta haluamasi jyrsinosa välineeseen. Jyrsin voidaan painaa alas jousta vasten.
- Paina laitetta alas, kunnes jyrsinosa koskettaa työstökappaleeseen. Lukitse se tämän jälkeen lukitusvivulla (11).
- Löysää painiketta 9.
- Aseta painike 15 nolleen.
- Aseta syvyys täysin alas painikkeella 8.
- Kiristä painike 9 (kierrä myötäpäivään). Pistosyvyys on nyt asetettu tarkalleen arvoon 0 mm.

Likimääräinen asetus:

- Lue mittarin (12) lukema.
- Löysää painiketta 9.
- Käännä painiketta 8 ja lue mittarin lukema uudelleen. Kahden lukeman välinen ero on pistosyvyyden asetus. Esimerkiksi: jos mittarin (12) lukema on 8,5 nolla-asetuksessa ja arvo on 7,0 painikkeen (8) käännön jälkeen, pistosyvyys on asetettu arvoon 1,5 cm.
- Kiristä painike 9 uudelleen.

Hienosäätö:

- Löysää painiketta 9.
- Yläpainike (15) on asetettu nolleen. Käännä painiketta yksi kierros vastapäivään, kunnes se on palautunut nolla-asemaan. Pistosyvyys on nyt 1,0 mm vähemmän.
- Pistosyvyys voidaan tarvittaessa asettaa 0,1 mm tarkkuudella.
- Kiristä painike 9 uudelleen. Vapauta lukitusvipu (11).

## Säätö revolverilla - syvyyden rajoittimella

Revolveri-syvyyden rajoitin mahdollistaa kolmen eri jyrsinsyvyyden nopean valinnan. Syvyyden voidaan määrittää myös säätämällä syvyyden rajoitinta (10). Syvien jyrsintäsyvyysien kohdalla on suositeltavaa suorittaa useita toistuvia jyrsintöjä alhaisemmillä poistoarvoilla.

- Säädä vaadittu jyrsintäsyvyys kääntämällä revolveria-syvyyden rajoitinta (21).

## 5. HUOLTO



Varmista, että kone on pois päältä sen moottorin huollon aikana.

Tuotteet on suunniteltu toimimaan pitkään vähäisillä ylläpitotoimilla. Jatkuva tyydyttävä toiminta riippuu koneen oikeasta huollosta ja säännöllisestä puhdistamisesta.

### Puhdistaminen

Puhdista koneen kotelon pinta säännöllisesti pehmeällä kankaalla, mielellään jokainen käytön jälkeen. Pidä tuuletusaukot puhtaina pölystä ja liasta. Jos lika ei irtoa, käytä saippuaveteen kostutettua pehmeää kangasta. Älä koskaan käytä liuotusaineita, kuten bensiiniä, alkoholia, ammoniakkaa jne., sillä ne voivat vaurioittaa muoviosia.

### Vianmääritys

Seuraavalla sivulla on joitakin toimintahäiriöiden mahdollisia syitä ja niiden ratkaisuja.

#### 1 Virtakytkin on asetettu päälle, mutta moottori ei toimi

- Sähköpiiri on rikkoutunut.
  - Korjauta sähköpiiri.
- Pistorasian tai pistokkeen johdot ovat irronneet.
  - Tarkistuta tai korjauta pistorasia tai pistoke.
- Kytkin on viallinen.
  - Korjauta kytkin.

#### 2 Jyrsin toimii hitaasti

- Jyrsinosa on tylsä tai vaurioitunut.
  - Teroita tai vaihda jyrsinosa.
- Vaihteleva nopeus on asetettu alhaiseksi.
  - Lisää vaihtelevaa nopeutta.
- Moottori on ylikuormitettu.
  - Vähennä jyrsimeen kohdistuvaa voimaa.

### 3 Liian kova värinä

- Jyrsinosa varsi on taipunut.
  - Vaihda jyrsinosa.

### 4 Kotelon sisällä esiintyy kipinää

- Hiiliharjat ovat kuluneet.
  - Vaihda hiiliharjat.

#### Viat

Jos laitteessa esiintyy vikoja, esim. osan kulumisen jälkeen, ota yhteyttä takuukortissa olevaan osoitteeseen. Liitteenä on kuva osista, jotka voidaan tilata.

## YMPÄRISTÖ

Jotta koneeseen ei tulisi vaurioita kuljetuksen aikana, se toimitetaan kestävässä pakkauksessa. Suurin osa pakkausmateriaaleista voidaan kierrättää. Toiminta kyseiset materiaalit vastaaviin kierrätyspisteisiin.



*Viallinen ja/tai käytöstä poistettu sähkölaite on hävitettävä toimittamalla se asianmukaiseen kierrätyspisteeseen.*

#### Vain EC-maille

Älä hävitä sähkölaitteita kotitalousjätteen mukana. Sähkö- ja elektroniikkaromua koskevan EU-standardin 2012/19/EU ja vastaavien paikallisten lakien mukaisesti käytetyt sähkölaitteet on hävitettävä erilliskeräyksessä ympäristöystävällisesti.

## TAKUU

Takuuehdot on määritelty koneen mukana toimitetussa erillisessä takuukortissa.

**Tuotteeseen ja käyttöoppaaseen voidaan tehdä muutoksia. Teknisiä tietoja voidaan muuttaa ilmoituksetta.**

## OVERFRES PRM1015

Takk for at du har kjøpt dette produktet fra Ferm. Du har nå et fremragende produkt fra en av Europas ledende leverandører. Alle produkter fra Ferm produserer i samsvar med de høyeste standarder for ytelse og sikkerhet. Som en del av vår filosofi yter vi fremragende kundeservice og gir en omfattende garanti. Vi håper du vil ha glede av dette produktet i mange år.



*For din egen og andres sikkerhet, skal du lese disse instruksjonene nøye før du bruker dette apparatet. Det vil hjelpe deg å forstå produktet ditt enklere og for å unngå unødvendige risikoer. Ta vare på denne instruksjonshåndboken for fremtidig bruk.*

#### Innledning

Overfresen er laget for fresing i treverk og treprodukter. Kontroller maskinen for løse deler og trensportskader på tilbehør.

#### Innhold

- Maskinspesifikasjoner
- Sikkerhetsinstruksjoner
- Montering
- Betjening
- Vedlikehold

## 1. MASKINSPEKIFIKASJONER

#### Tekniske spesifikasjoner

Spenning	230 V~
Frekvens	50 Hz
Effekt	1300 W
Hastighet uten last	9000-30000/min
Kuttedybde	60 mm
Spennhylse	6 & 8 mm
Vekt	3,57 kg
Lpa (lydtrykk)	87,9+3 dB(A)
Lwa (lydeffekt)	98,9+3 dB(A)
Vibrasjon på venstre håndtak	3,509+1.5 m/s <sup>2</sup>
Vibrasjon på høyre håndtak	2,441+1.5 m/s <sup>2</sup>

#### Vibrasjonsnivå

Det avgitte vibrasjonsnivået som er angitt bak i denne bruksanvisningen er blitt målt i samsvar med en standardisert test som er angitt i EN 60745; den kan brukes til å sammenligne et

verktøy med et annet, og som et foreløpig overslag over eksponering for vibrasjoner ved bruk av verktøyet til de oppgavene som er nevnt.

- bruk av verktøyet til andre oppgaver, eller med annet eller mangelfullt vedlikeholdt utstyr, kan gi en vesentlig økning av eksponeringsnivået.
- tidsrommene når verktøyet er avslått eller når det går men ikke arbeider, kan gi en vesentlig reduksjon av eksponeringsnivået.

Beskytt deg selv mot virkningene av vibrasjoner ved å vedlikeholde verktøyet og utstyret, holde hendene varme og organisere arbeidsmåten din.

### Pakkens innhold

- 1 Overfres
- 1 Parallellguide
- 1 Kullbørster
- 1 Sjablonguide
- 1 Adapter for støvoppsamling
- 1 Skrunøkkel
- 1 4mm Sekskantnøkkel
- 1 Collet 8 mm (montert på maskinen)
- 1 Collet 6 mm
- 6 Bits til overfres
- 1 Sikkerhetsinstruksjoner
- 1 Bruksanvisning
- 1 Garantikort

### Produktinformasjon

#### Fig. A, B

- 1. Av/på-bryter
- 2. Håndtak
- 3. Baseplate
- 4. Monteringsskrue for parallellanlegg
- 5. Knapp for bryterlås
- 6. Collet mutter
- 7. Spindellås
- 8. Justeringsknapp for dybde
- 9. Vingskrue for dybdestopp
- 10. Dybdestopp
- 11. Klemfestestang
- 12. Dybdeskala
- 13. Justeringshjul for elektronisk hastighetskontroll
- 14. Skrunøkkel
- 15. Finjusteringsknapp for dybde
- 16. Støvoppsamler
- 17. Linjal for parallellanlegg
- 18. Nullmerke
- 19. Parallellanlegg
- 20. Styrestag
- 21. Dybdestopprevolver
- 22. Skrue

- 23. Sjablonguide
- 24. Støvadapter
- 25. Støvslange

## 2. SIKKERHETSINSTRUKSJONER

Følgende symboler er brukt i denne bruksanvisningen:



*Les instruksjonene nøye.*



*I tilfelle sikkerhetsinstruksjonene i denne brukerveiledningen ikke følges, er det fare for liv og personskader samtidig som det er fare for maskinskader.*



*Fare for elektrisk støt.*



*Ta ut pluggen fra nettboksen.*



*Variabel hastighetskontroll.*



*Bruk hørselvern og vernebriller.*



*Bruk støvmaske.*



*Bruk beskyttelseshansker.*

### Ytterligere sikkerhetsinstruksjoner

- Kontroller arbeidsstykene for hindringer på overflaten av materialet. Som utstående spiker etc., for å beskytte hodet på overfresen.
- Vent til overfresen er helt stoppet før du fjerner tilstoppinger eller fresematerialer rundt fresehodet. Bruk en lang pinne for dette og aldri fingeren.
- Hold hendene unna freseoverflaten.
- Slå øyeblikkelig av verktøyet hvis det lager uvanlige lyder eller starter å vibrere mye.
- Kontroller at alle delene er festet, verktøy er fjernet etc. før du bruker maskinen.





Pass på at strømforsyningen passer med spenningen oppgitt på typeskiltet.



Maskinen din er dobbeltisolert, og derfor kreves ingen jording.

- Kast umiddelbart brukte ledninger og støpsler når de er erstattet med nye. Det medfører fare å sette inn støpselet til en løs ledning i en stikkontakt.
- Kun bruk godkjent skjøteledning som er tilpasset strøminntaket til maskinen. Minimumstørrelsen til ledningen er 1.5 mm<sup>2</sup>. Hvis du bruker en ledningssnelle, må du passe på at ledningen er fullstendig rullet ut.



Før du setter på tilbehør, må du alltid trekke ut støpselet.



Vent til maskinen er helt stoppet og fresehodet er avkjølt før du skifter et fresehode.

### 3. MONTERING

#### Utvelgelse av fresehoder

Fresehoder er tilgjengelige i de fleste forskjellige design og kvaliteter, avhengig av behandling og applikasjoner.

Fresehoder som er laget av hurtigdreiestål (HSS) passer for arbeid med myke materialer, for eksempel mykt treverk og plastikk.

Fresehoder med harmetallskjær (HM) er spesielt passende for harde og grove materialer, f. eks hard treverk og aluminium.

#### Montering og fjerning av fresehoder

##### Fig. C

Bruk kun fresehoder med en akseldiameter som tilsvarer størrelsen på spennhylsen. Bruk kun fresehoder som passer for maksimumshastigheten på maskinen. Diameteren på fresehodet skal ikke overskride maksimumsdiameteren (se "Tekniske spesifikasjoner"). Stram aldri til mutteren til spennhylsen hvis det ikke er noe fresehode i hylsen.; Spennhylsen kan bli skadet.

- Trykk spindellåsen (7) og vri spennhylsemutteren (6) til den låser seg. Hold spindellåsen inntrykt under denne prosessen.

- Åpne spennhylsemutteren med en skrunøkkel (14).
- Sett akselen på fresehode i spennhylsen.
- Fest spennhylsemutteren slik at fresehodet er fullstendig låst.
- Åpne spennhylsemutteren når du ønsker å bytte fresehode.

#### Justering av linjalen til parallellanlegget

Parallellanlegget er et nyttig verktøy for presisjonsfresing med en fast avstand fra kanten av arbeidsstykket.

- Sett den ønskede fresen i verktøyet.
- Smett parallellguiden med styrestaget i fundamentplaten og fest til nødvendig stramhet med vingeskruene.

#### Montering av sjablongguiden

##### Fig. D

Sjablongguiden er et hendig hjelpemiddel for fresing av et mønster.

- Monter sjablongguiden (23) på fresesålen (3) med skruer (22).

#### Montering av adapter for støvoppsamling

##### Fig. E

Bruk støvadapteren for oppsamling av støv. Hvis adapteren ikke er montert på maskinen, skal du følge disse instruksjonene:

- Monter støvadapteren (24) med skruene (22) på overfresens sokkel (3).
- Plasser støvslangen (25) i støvuttaket (16).
- Plasser slangen på støvsugeren på støvslangen (25).



Hold utløpet på maskinen bak maskinen for å få god oversikt over arbeidsstykket.

### 4. BETJENING

#### Skru på og av (Fig. B)

- For å skru maskinen på, trykk avlåsingsknappen (5) og trykk så på-/av-bryteren (1).
- Frigi på-/av-bryteren (1) for å slå av maskinen.

#### Tips om bruk

- Etter at maskinen er slått på, skal du sørge for at maskinen når full hastighet før du bruker den på arbeidsstykket.
- Klem fast arbeidsstykket og sørg for at arbeidsstykket ikke kan gli unna under maskinen når du freser.

- Hold maskinen godt fast og beveg den jevnt over arbeidsstykket. Ikke bruk makt på maskinen.
- Bruk kun fresehoder som ikke viser tegn til slitasje. Slitte fresehoder har en negativ effekt på effektiviteten til maskinen.
- Slå alltid av maskinen før du trekker støpselet ut av kontakten.

### Forhåndsinnstilling av hastighet

Den ønskede hastigheten kan forhåndsvelges med tommelhjulet. Rotasjonshastigheten kan også justeres under drift.

1 – 2 = lav hastighet

3 – 4 = medium hastighet

5 – 6 = høy hastighet

Max = maksimum hastighet

Den nødvendige hastigheten avhenger av materialet og kan bestemmes ved praktisk testing. Dessuten trenger fresehoder med en stor diameter en lavere rotasjonshastighet.

Materiale	Diameter fresehode	Trinnvis hastighet
Hardved	>20 mm	1 – 2
	10 – 20 mm	3 – 4
	<10 mm	5 – max
Bløtt tre	>20 mm	1 – 3
	10 – 20 mm	3 – 6
	<10 mm	5 – max
Aluminium	>15 mm	1
	<15 mm	1 – 2
Plast	>15 mm	1 – 2
	<15 mm	2 – 3

Etter langvarig arbeid med lav hastighet, skal du la maskinen avkjøles ved å kjøre den i noen minutter ved høy hastighet uten belastning.

### Høydeinnstilling av fresersøyler

#### Fig. F+B

Spennarmen (11) brukes for å stille inn maksimumshøyden på overfresen.

Dybden er da fast. Dette er vanligvis nødvendig når du bruker verktøyet på et spesielt fresebord. Sørg for at fresesøylen ikke er låst.

Overfresen kan trykkes ned mot fjærkraften.

Lås fresesøylen med spennarmen

Fresen er nå låst og vill ikke returnere til opprinnelig posisjon.

### Stille inn dybde

#### Fig. F+B

Dybden kan justeres ved å bruke knappene 8, 9, 11 og 15. Hvis dybden er riktig innstilt, kan sporet freses med en nøyaktighet innenfor 0,1 mm.

Forberedelse:

- Sett den ønskede fresen i verktøyet. Overfresen kan trykkes ned mot fjærkraften.
- Trykk verktøyet ned til fresen berører arbeidsstykket, og lås den med spennarmen (11).
- Løs opp knapp 9.
- Still knapp 15 til null.
- Bruk knapp 8 for å stille inn dybden helt ned.
- Stram til knapp 9 (med urviseren). Spordybden er nå innstilt til nøyaktig 0 mm.

Grovinnstilling:

- Les av verdien fra skalaen (12).
- Løs opp knapp 9.
- Vri knapp 8 og les på nytt verdien fra skalaen. Forskjellen mellom disse to verdiene er innstillingen på spordybden. For eksempel: Hvis verdien på skalaen (12) er 21,59 cm er nullinnstillingen og verdien 17,78 cm etter at knapp (8) er vridd, og da må spordybden stilles inn til 3,81 cm.
- Trekk til knappen 9.

Finjustering:

- Løs opp knapp 9.
- Knappen øverst (15) er fortsatt satt til null. Vri knappen en hel runde mot urviseren til den er tilbake i nullposisjon. Spordybden er nå 1,0 mm mindre.
- Hvis nødvendig, kan spordybden stilles inn med en nøyaktighet innenfor 0,1 mm.
- Trekk til knappen 9. Lås opp spennarmen (11).

### Juster med revolver - dybdestopp

Revolver – dybdestopp tillater deg å velge hurtig mellom tre forskjellige kuttedybder. Disse blir også bestemt av justeringen av dybdestoppen (10).

For større fresedybder, anbefales det å utføre flere gjentakende kutt med lavere forflytningshastigheter.

- Juster den nødvendige kuttedybden ved å rotere revolver – dybdestoppen (21).

## 5. VEDLIKEHOLD



Sørg for at det ikke er strøm på maskinen når du utfører vedlikeholdsarbeid på motoren.

Apparatet har blitt designet til å brukes over en lang tidsperiode med minimalt vedlikehold. Hvorvidt maskinen fungerer tilfredsstillende avhenger av behandlingen og rengjøringen av maskinen.

### Rengjøring

Reinlig de behuizing van de machine regelmatig Rengjør maskinhuset regelmessig med en tørrklut, helst etter hver bruk. Hold luft hullene fri for støv og smuss. Hvis du ikke får tørket av smusset med en tørr klut, fukt den i såpevann. Bruk aldri løsemidler som bensin, alkohol, ammoniakkvann os. Disse løsemidlene kan skade plastikkdelene.

### Feilfinning

På neste side finner du noen eventuelle årsaker og løsninger til mulige feil.

#### 1 Betjeningsbryteren er slått på, men motoren går ikke

- Den elektriske sikringen er brutt
  - *Reparer den elektriske sikringen*
- Ledninger i hovedpluggen eller i kontakten er løse
  - *Kontroller eller reparer kontakten og pluggen*
- Bryteren er defekt
  - *Reparer bryteren*

#### 2 Fresen kjører sakte

- Sløvt eller skadet fresehode
  - *Skjerp eller skift ut fresehodet*
- Variabel hastighet er innstilt lavt
  - *Øk den variable hastigheten*
- Motoren er overbelastet
  - *Reduser trykkraften på overfresen*

#### 3 Usedvanlig mye vibrasjon

- Bøyd freseskraft
  - *Erstatt fresehodet*

#### 4 Gnister inne i huset

- Karbonbørster er utslitte
  - *Erstatt karbonbørstene*

### Feil

Hvis det oppstår feil, for eksempel etter bruk av en del, skal du kontakte adressen på garantikortet. Inkludert finner du et perspektivsnitt som viser delene som kan bestilles.

## MILJØ

For å forhindre at maskinen får skader under transport, blir den levert i en robust emballasje. Det meste av emballasjen kan resirkuleres. Ta med disse materialene til et passende resirkuleringssted.



*Defekte og/eller kasserte elektriske eller elektroniske apparater må samles inn på egnede resirkuleringssteder.*

### Gjelder kun i EU-landene.

Elektriske verktøy må ikke kastes sammen med husholdningsavfall. I henhold til EU-direktiv 2012/19/EU for elektrisk og elektronisk avfall, samt implementering av direktivet i nasjonal lovgivning, skal elektriske verktøy som ikke lenger kan brukes kastes separat og på en miljøvennlig måte.

## GARANTI

Garantibetingelsene finner du på et separat vedlagt garantikort.

**Dette produktet og brukerhåndboken kan bli endret. Spesifikasjoner kan endres uten forvarsel.**

## OVERFRÆSER PRM1015

Tak for, at du har købt dette Ferm produkt. Ved at gøre dette står du nu med et fantastisk produkt, leveret af en af Europas førende leverandører. Alle de produkter, som leveres til dig af Ferm, er fremstillet i overensstemmelse med de højeste standarder inden for præstation og sikkerhed. Som en del af vores filosofi tilbyder vi en fremragende kundeservice, som bakkes op af vores omfattende garanti. Vi håber, at du vil bruge dette produkt med glæde i mange år fremover.



*For din egen sikkerheds skyld og af hensyn til andre, læs venligst disse vejledninger før du anvender apparatet. Det vil hjælpe dig med lettere at kunne forstå dit produkt og med at undgå unødvendige risici. Opbevar denne vejledning på et sikkert sted til fremtidig brug.*

### Introduktion

Overfræseren er blevet fremstillet til skæring af træ og træprodukter. Undersøg maskinen for løse dele og tilbehør som følge af transportbeskadigelse.

### Indhold

1. Maskinspecifikationer
2. Sikkerhedsanvisninger
3. Montage
4. Betjening
5. Vedligeholdelse

## 1. MASKINSPECIFIKATIONER

### Tekniske specifikationer

Spænding	230 V~
Frekvens	50 Hz
Indgangseffekt	1300 W
Tomgangshastighed	9000-30000/min
Savedybde	60 mm
Spændepatron	6 & 8 mm
Vægt	3,57 kg
L <sub>pa</sub> (lydtryk)	87,9+3 dB(A)
L <sub>wa</sub> (lydeffekt)	98,9+3 dB(A)
Vibration venstre håndtag	3,509+1.5 m/s <sup>2</sup>
Vibration højre håndtag	2,441+1.5 m/s <sup>2</sup>

### Vibrationsniveau

Det vibrationsniveau, der er anført bag på denne betjeningsvejledning er målt i henhold til den standardiserede test som anført i EN 60745; den kan benyttes til at sammenligne to stykker værktøj og som en foreløbig bedømmelse af udsættelsen for vibrationer, når værktøjet anvendes til de nævnte formål.

- anvendes værktøjet til andre formål eller med andet eller dårligt vedligeholdt tilbehør, kan dette øge udsættelsesniveauet betydeligt.
- de tidsrum, hvor værktøjet er slukket, eller hvor det kører uden reelt at udføre noget arbejde, kan reducere udsættelsesniveauet betydeligt.

Beskyt dig selv imod virkningerne af vibrationer ved at vedligeholde værktøjet og dets tilbehør, ved at holde dine hænder varme og ved at organisere dine arbejdsmønstre.

### Pakningens indhold

- 1 Overfræser
- 1 Parallel guide
- 1 sæt karbon børster
- 1 Skabelon guide
- 1 Adapter til støvudtag
- 1 Skruenøgle
- 1 4mm unbrakonøgle
- 1 spændepatron 8mm (samlet i maskinen)
- 1 Spændepatron 6 mm
- 6 Overfræser bor
- 1 Sikkerhedsanvisninger
- 1 Betjeningsvejledning
- 1 Garantibevis

### Produktoplysninger

#### Fig. A, B

1. Tænd/sluk-kontakt
2. Håndtag
3. Sål
4. Fastgørelse af skruer på parallel hegn
5. Kontakt afbryder
6. Spændepatron skrue
7. Spindellås
8. Dyksavnings justeringsknap
9. Vingskrue til dybdestop
- 10 Dybdestop
- 11.Skruetvinge håndtag
- 12.Dykdybde skala
- 13.Justerung af hjul til elektronisk hastighedskontrol
- 14.Skruenøgle
- 15.Dykdybde finjusteringsknap

- 16. Støvdugtag hjælpemiddel
- 17. Parallel hegn lineal
- 18. Nulmarkering
- 19. Parallel hegn lineal
- 20. Styrestang
- 21. Dybdestopstang
- 22. Skruer
- 23. Skabelon guide
- 24. Støv adapter
- 25. Støvslange

## 2. SIKKERHEDSFORSKRIFTER

Følgende symboler er anvendt i denne betjeningsvejledning:



Læs vejledningen grundigt.



*Livsfare og risiko for tilskadekomst så vel som risiko for beskadigelse af maskinen i tilfælde af negligering af sikkerhedsforskrifterne i disse anvendelsesinstruktioner.*



*Fare for elektrisk stød.*



*Fjern stikket fra hovedkontakten.*



*Variabel hastighedskontrol.*



*Brug beskyttelsesbriller og høreværn.*



*Anvend støvmaske.*



*Anvend beskyttelseshandsker.*

### Yderligere sikkerhedsforskrifter

- Undersøg venligst arbejdsemne for enhver uregelmæssighed på overfladen af materialet eksempelvis søm m.m. for at beskytte overfræserhovedet.

- Vent indtil overfræseren er standset før du fjerner nogle fastklemte eller fræsede materialer fra fræsere. Anvend en lang kæp til dette og aldrig din finger.
- Hold venligst dine hænder væk fra overfræser overfladen.
- Sluk øjeblikkeligt for værktøjet hvis det begynder at lave en ualmindelig støj eller begynder at vibrere meget.
- Vær venlig at undersøge at alle delene er fastspændte, værktøj er uden for rækkevidde osv. før betjening.



*Undersøg altid at strømforsyningen passer til spændingen på fastsættelsespladen.*



*Din maskine er dobbelt isoleret derfor er jordforbindelse ikke påkrævet.*

- Smid øjeblikkeligt gamle kabler eller stik ud når de er blevet udskiftet. Det er farligt at sætte stikket på et løst kabel i stikkontakten.
- Brug kun en godkendt forlængerledning beregnet til maskinens elektriske spænding. Mindste ledertykkelse er 1,5 mm<sup>2</sup>. Hvis der anvendes en kabeltromle, skal kablet altid rulles helt ud.



*Stikket skal altid trækkes ud før montering af tilbehør.*



*Vent indtil maskinen er standset og fræsere er afkølet før udskiftning af fræsere.*

## 3. MONTAGE

### Overfræser bor udvalg

Afhængigt af forarbejdning og anvendelse, overfræser bor er tilgængelige i forskellige design og kvaliteter: Overfræser bor lavet af højhastigheds stål (HSS) er velegnede til at arbejde med bløde materialer som f.eks blødt træ og plastik. Karbidstål overfræser bor (HM) er særligt velegnede til hårde og abrasive materialer som feks hårdt træ og aluminium.

### Montering of afmontering af fræsere

#### Fig. C

Anvend udelukkende fræsere med en akseldiameter der passer til størrelsen af spændepatronen. Anvend

kun fræsere der er beregnet til maskinens højeste hastighed. Fræserdiameteren bør ikke være større end maksimal diameteren (se "Tekniske specifikationer"). Spænd aldrig spændepatronen hvis der ikke er noget overfræser bor i spændepatronen; spændepatronen kan blive ødelagt.

- Tryk spindellåsen (7) og drej spændepatronen (6) indtil den tilkobles i låsen. Tryk spindellåsen ned under denne procedure.
- Åben spændepatron møtrikken ved hjælp af skruenøglen (14).
- Placer fræserakselen i spændepatronen.
- Spænd spændepatronen således at fræsere er forsvarligt fastlåst.
- Åben spændepatron møtrikken når du ønsker at udskifte spændepatronen.

### Justering af det parallelle hegn

Det parallelle hegn er et praktisk redskab til præcisionsfræsning fra en fast afstand fra kanten af arbejdsemnet.

- Placer den ønskede fræser i værktøjet.
- Skub den parallelle guide med styrestængerne ind i basepladen og spænd til den nødvendige størrelse ved hjælp af vingeskruerne.

### Montering af skabelon guiden

#### Fig. D

Skabelon guiden er en praktisk guide til at hjælpe med at skære et mønster.

- Monter skabelon guiden (23) på overfræser basen (3) ved hjælp af skruerne (22).

### Montering af adapteren til støvudtag

#### Fig. E

Brug støvadapteren til støvudtagning. Hvis adapteren ikke er monteret på maskinen, så følg disse instruktioner:

- Monter støvadapteren (24) med skruerne (22) på fræser sålen (3).
- Placer støvslangen (25) i støvudtaget (16).
- Placer støvsugerlangen på din støvsuger på støvslangen (25).



*Hold maskinens udmundning bagved maskinen for at sikre et godt udsyn til arbejdsemnet.*

## 4. BETJENING

### Tænd og sluk (Fig. B)

- Tænd for maskinen ved at trykke oplåseknappen (5) og derefter trykke på tænd/sluk-kontakten (1).

- Sluk for maskinen ved at frigive tænd/slukkontakten (1).

### Bruger tips

- Efter at have tændt for maskinen, sørg for at maskinen har opnået fuld hastighed før den anvendes på arbejdsemnet.
- Fastspænd arbejdsemnet og sørg for at arbejdsemnet ikke kan glide under maskinen under betjening.
- Hold maskinen stramt og bevæg den jævnt henover arbejdsemnet. Undgå at bruge unødvendig magt.
- Anvend udelukkende fræsere som ikke viser tegn på slid. Slidte fræsere har en negativ virkning på maskinens effektivitet.
- Sluk altid først maskinen efter brug, før stikket tages ud af stikdåsen.

### Forudstillet hastighed

Den nødvendige hastighed kan forudstilles med drejeshkiven. Under betjening kan rotationshastigheden ligeledes tilpasses.

1 – 2 = lav hastighed

3 – 4 = medium hastighed

5 – 6 = høj hastighed

Max = maksimum hastighed

Den nødvendige hastighed afhænger af materialet og kan afgøres ved at udføre praktiske test. Endvidere kræver fræserbor med en stor diameter en lavere rotationshastighed.

Materiale	Diameter overfræser	Hastighedsfaser
Hårdt træ	>20 mm	1 – 2
	10 – 20 mm	3 – 4
	<10 mm	5 – max
Blødt træ	>20 mm	1 – 3
	10 – 20 mm	3 – 6
	<10 mm	5 – max
Aluminium	>15 mm	1
	<15 mm	1 – 2
Plastik	>15 mm	1 – 2
	<15 mm	2 – 3

Efter at have været i brug i længere tid ved lav hastighed, lad maskinen køle af ved at lad den køre i nogle minutter ved høj hastighed uden belastning.

## Højde indstilling af overfræserakslen

### Fig. F+B

Fastspændeshåndtaget (11) bliver brugt til at indstille overfræserens maksimum højde. Dykdybden bliver derefter fastsat. Dette er normalt nødvendigt når man anvender et værktøj på et specielt overfræserbord. Sørg for at overfræserakslen ikke er låst. Overfræseren kan skubbes ned mod fjederkarften. Lås overfræserakslen ved hjælp af fastspændeshåndtaget. Overfræseren er nu fastlåst og vil ikke længere vende tilbage til udgangspositionen.

## Indstilling af dykdybde

### Fig. F+B

Dykdybden kan indstilles ved at tilpasse knapperne 8, 9, 11 og 15. Såfremt dykdybden er korrekt indstillet kan den pågældende udræsning blive udræsnet nøjagtigt indenfor 0,1 mm.

#### Forberedelse:

- Placer den ønskede fræser i værktøjet. Overfræseren kan skubbes ned mod fjederkarften.
- Tryk værktøjet ned indtil fræseren rører ved arbejdsemnet, lås det derefter ved hjælp af fastspændeshåndtaget. (11).
- Løsgør knap 9.
- Indstil knap 15 til nul.
- Brug knap 8 til at indstille dybden hele vejen ned.
- Spænd knap 9 (med uret). Dykdybden er nu indstillet til præcis 0 mm.

#### Grovindstilling:

- Aflæs værdien fra skalen (12).
- Løsgør knap 9.
- Drej knap 8 og aflæs værdien igen fra skalen. Forskellen på de to værdier er dykdybde indstillingen. For eksempel: Hvis værdien på skalen (12) er 8,5 i nulindstillingen og værdien er 7.0 efter knap 9 (8) er blevet drejet, så er dykdybden blevet indstillet til 1,5 cm.
- Spænd igen knap 9.

#### Finjustering:

- Løsgør knap 9.
  - Top knappen (15) er stadigvæk indstillet til nul. Giv denne knap en 360° drejning med uret indtil den er tilbage i nul positionen. Dykdybden er nu indstillet til 1,0 mm mindre.
  - Hvis det er nødvendigt kan dykdybden nøjagtigt indstilles til indenfor 0,1 mm.
  - Spænd igen knap 9.
- Åben fastgørelseshåndtaget lever (11).

## Justering ved hjælp af revolveren - dybdestop

Revolver dybdestoppet sætter dig i stand til at vælge mellem tre forskellige fræsedybder. Disse er også bestemt af justeringen af dybdestoppet. (10). Til større fræsningsdybder anbefales det at udføre flere efterfølgende fræsninger med lavere kapacitet.

- Juster den nødvendige savedybde ved at rotere revolver dybdestoppet. (21).

## 5. VEDLIGEHOLDELSE



Sørg for at maskinen ikke er tændt når vedligeholdelsesarbejde udføres på motoren.

Dette værktøj er konstrueret således, at det kan fungere længe med et minimum af vedligeholdelse. Forsat tilfredsstillende brug afhænger af korrekt vedligeholdelse og regelmæssig rengøring.

### Rengøring

Maskinens kabinet skal jævnligt renses med en blød klud, helst efter hver brug. Hold ventilationsrillerne fri for støv og snavs. Hvis snavset ikke vil gå af, anvendes en blød klud fugtet med sæbevand. Brug aldrig opløsningsmidler som benzin, sprit, salmiakspiritus, etc. Disse opløsningsmidler kan beskadige plastikkdelene.

### Fejlfinding

På den næste side findes nogle potentielle årsager og løsninger på mulige fejlkilder.

#### 1 Hovedafbryderen er tændt men motoren fungerer ikke

- Det elektriske kredsløb er afbrudt
  - *Få det elektriske kredsløb repareret*
- Ledninger i hovedstikket eller i kontakten er løse
  - *Få undersøgt eller repareret kontakt og stik*
- Kontakten er defekt
  - *Få kontakten repareret*

#### 2 Overfræseren kører langsomt

- Sløv eller beskadiget fræser
  - *Slib eller udskift fræseren*
- Den variable hastighed er indstillet på lav
  - *Forøg variabel hastigheden*
- Motoren er overbelastet
  - *Reducer trykket på overfræseren*

### 3 Overdreven vibration

- Bøjet snit bor
  - *Udskift fræseren*

### 4 Der ses gnister indeni huset

- Kulstof børster er slidte
  - *Udskift kulstof børsterne*

#### Fejl

Såfremt der skulle opstå en fejl f.eks efter slitage af en reservedel, så kontakt venligst adressen på garantibeviset. Du finder en sprængskitse hvor du kan se de reservedele der kan bestilles.

## MILJØ

For at beskytte maskinen under transport bliver den leveret i solid indpakning. Størstedelen af indpakningsmaterialerne kan genbruges. Medbring disse materialer til en genbrugsstation.



*Defekt og/eller kasseret elektrisk udstyr skal afleveres på en passende genbrugsstation.*

#### Kun for EU-lande

Smid ikke el-værktøjer ud sammen med almindeligt affald. I henhold til de europæiske direktiver 2012/19/EU for elektrisk og elektronisk udstyr og er implementeret i henhold til nationale rettigheder, el-værktøj som ikke længere er anvendelig skal indsamles separat og genbruges på en miljøvenlig måde.

## GARANTI

Garantibetingelserne er anført på det medfølgende separate garantikort.

**Produktet og brugermanualen kan ændres. Specifikationerne kan ændres uden forudgående varsel.**

## MARÓGÉP PRM1015

Köszönjük, hogy ezen Ferm terméket választotta. Európa egyik vezető beszállítójának, kiváló termékét tartja a kezében. A Ferm által szállított termékek a legmagasabb teljesítményi és biztonsági szabványok alapján kerülnek legyártásra. Filozófiánk részeként kiváló ügyfélszolgálatot, továbbá átfogó garanciát kínálunk termékeinkhez. Reméljük, az elkövetkezendő években örömmel fogja használni a készüléket.



*A saját és mások biztonsága érdekében olvassa el az utasításokat a készülék használata előtt. Segítségükkel könnyebben megértheti a gép működését és megelőzheti a szükségtelen kockázatokat. Őrizze meg a kézikönyvet egy biztonságos helyen, hogy azt később is használhassa referenciaként.*

#### Bevezetés

A marógépet fa és faanyagok marásához terveztük. Ellenőrizze a gépet, annak részeit és tartozékait, hogy azok nem sérültek-e vagy lazultak meg a szállítás közben.

#### Tartalom

1. Műszaki specifikációk
2. Biztonsági utasítások
3. Összeszerelés
4. A gép kezelése
5. Karbantartás

## 1. MŰSZAKI SPECIFIKÁCIÓK

#### Műszaki adatok

Feszültség	230 V~
Frekvencia	50 Hz
Teljesítmény	1300 W
Terheletlen fordulát	9000-30000/min
Vágási mélység	60 mm
Foglalat	6 és 8 mm
Súly	3,57 kg
Lpa (hangnyomásszint)	87,9+3 dB(A)
Lwa (hangteljesítményszint)	98,9+3 dB(A)
Vibráció bal karnál	3,509+1.5 m/s <sup>2</sup>
Vibráció jobb karnál	2,441+1.5 m/s <sup>2</sup>



## Rezgésszint

Az ezen felhasználói kézikönyv végén megadott rezgés-kibocsátási szint mérése az EN 60745 szabványban meghatározott szabványosított teszttel összhangban történt; ez egy eszköznek egy másik eszközzel történő összehasonlítására, illetve a rezgésnek való kitétség előzetes felmérésére használható fel az eszköznek az említett alkalmazásokra történő felhasználása során.

- az eszköznek eltérő alkalmazásokra, vagy eltérő, illetve rosszul karbantartott tartozékokkal történő felhasználása jelentősen emelheti a kitétség szintjét.
- az idő, amikor az eszköz ki van kapcsolva, vagy amikor ugyan működik, de ténylegesen nem végez munkát, jelentősen csökkentheti a kitétség szintjét.

Az eszköz és tartozékai karbantartásával, kezének melegen tartásával, és munkavégzésének megszervezésével védje meg magát a rezgések hatásaitól.

## A csomag tartalma

- 1 Marógép
- 1 Párhuzamos vezető
- 1 Fémkefe készlet
- 1 Sablon-vezető
- 1 Adapter a porszíváshoz
- 1 Villáskulcs
- 1 4 mm-es hatszögletű kulcs
- 1 Foglalat 8 mm-es (a gépre szerelve)
- 1 Foglalat 6 mm-es
- 6 Marófej
- 1 Biztonsági utasítás
- 1 Használati útmutató
- 1 Garanciajegy

## Termékinformáció

### A, B ábrák

1. Ki- és bekapcsoló
2. Fogantyú
3. Talplemez
4. Rögzítő csavarok a párhuzamos korláthoz
5. Kapcsoló-záró gomb
6. Foglalat anyja
7. Tengely-zár
8. Marási mélységét állító csavar
9. Szárnyas csavar a mélységállító ütközőhöz
10. Mélységállító ütköző
11. Rögzítőkar
12. Mélységállító skála
13. Állítókerék az elektromos sebesség-vezérléshez

14. Villáskulcs
15. Marási mélység finomállító gomb
16. Poreltávolító rendszer
17. Párhuzamos korlát vonalzója
18. Nulla jelölés
19. Párhuzamos korlát
20. Vezetőrúd
21. Forgódobos mélységállító ütköző
22. Csavarok
23. Sablon-vezető
24. Por-adapter
25. Por-cső

## 2. BIZTONSÁGI UTASÍTÁSOK

A következő jelöléseket használtuk:



*Gondosan olvassa el az utasításokat.*



*A kézikönyvben található utasítások ignorálása életveszélyes vagy súlyos baleseteket okozhat vagy miattuk a gép tönkremehet, megsérülhet.*



*Elektromos áramütés veszélye.*



*Húzza ki a csatlakozót az elektromos dugaljából.*



*Változtatható sebesség.*



*Hordjon védőszemüveget és hallásvédelmet.*



*Hordjon védőmaszkot.*



*Hordjon védőkesztyűt.*

## További biztonsági utasítások

- Kérjük, ellenőrizze a munkadarab felületét a munkát akadályozó tárgyakra, például a kiálló szögekre, hogy megvédje a marógép fejeket.
- Várja meg, míg a marógép teljesen megáll, mielőtt a marófej környékéről bármely beszorult vagy kimart anyagot eltávolítana. Ehhez használjon egy hosszú fadarabot és soha se az ujjait.

- Kérjük, tartsa távol a kezét a maró felülettől.
- Azonnal kapcsolja ki a készüléket, ha az szokatlan hangot ad vagy az elkezdene túlzottan vibrálni.
- Kérjük, ellenőrizze, hogy az összes alkatrész megfelelően rögzítve van-e és az összes szerszám el van-e távolítva, stb. a használat megkezdése előtt.



*Mindig ellenőrizze, hogy a hálózat feszültsége megfelel-e a gép adattáblájának.*



*Az ön gépe kettős szigeteléssel rendelkezik, ezért nem kell hozzá földkábel.*

- Azonnal dobja ki a régi kábeleket és csatlakozókat, miután azokat lecserélte újakra. A csupaszkábel csatlakoztatása a dugaljhoz nagyon veszélyes.
- Csak jóváhagyott, a gép teljesítményének megfelelő hosszabbítót használjon. A kábel minimális keresztmetszete: 1,5 mm<sup>2</sup>. Ha kábeldobot használ, akkor mindig tekerje le a teljes vezetékét a dobról.



*A tartozék felszerelése előtt mindig húzza ki a gépet a dugaljából.*



*Várja meg míg a gép teljesen leáll és a vágófej lehűl, mielőtt azt lecserélné.*

### 3. ÖSSZESZERELÉS

#### Marófej kiválasztása

A folyamatnak és az alkalmazásnak megfelelően a marófejek számos kivitelben és minőségben készülnek:

A nagysebességű acél marófejek (HSS) a puha anyagokhoz, például a puhafákhoz és a műanyagokhoz használhatóak.

A karbidfejú marófejek (HM) a keményebb és nagyobb dörzshatást okozó anyagokhoz például a keményfákhoz és az alumíniumokhoz használhatóak.

#### A vágófejek felszerelése és eltávolítása

##### C. Ábra

Csak olyan vágófejet használjon, amelynek átmérője megegyezik a foglalat méretével. Csak olyan vágófejet használjon, amely alkalmas a gép

maximális sebességével való használatra. A vágófej mérete ne haladja meg a maximális átmérőt (lásd "Műszaki specifikáció").

Soha ne húzza meg akkor a foglalat anyáját, ha abban nincs marófej; ilyenkor a foglalat megsérülhet.

- Nyomja le a tengely-zárat (7) és forgassa el a foglalat anyáját (6) addig, amíg az nem kerül a zárba. Tartsa a tengely-zárat lenyomva a művelet során.
- Csavarja ki a foglalat anyáját a villáskulccsal (14).
- Helyezze a vágófej tengelyét a foglalatba.
- Szorítsa meg a foglalat anyáját, hogy az a vágófejet megfelelően tartsa.
- Nyissa ki a foglalat anyáját, ha a vágófejet le szeretné cserélni.

#### A párhuzamos korlát vonalzójának beállítása

A párhuzamos korlátot akkor használjuk, ha precíziós marást szeretnénk végezni a munkadarab szélétől egy adott távolságra.

- Helyezze a megfelelő vágófejet a foglalatba.
- Csúsztassa el a párhuzamos vezetőt a vezetőrudakkal a talplemezen és szorítsa meg azt a megfelelő méretnél a szárnyas csavarokkal.

#### A sablonvezető felszerelése

##### D. ábra

A sablonvezetőt a minták marásához használjuk.

- Szerelje fel a sablonvezetőt (23) a marógép talpára (3) a csavarok (22) segítségével.

#### Az adapter felszerelése a por elvezetéséhez

##### E. ábra

Használja az adaptert a por elvezetéséhez. Ha az adapter nincs a gépre szerelve, akkor kövesse a következő utasításokat:

- Szerelje a por-adaptert (24) a csavarokkal (2) a vágófej talpára (3).
- Illessze a por-csővet (25) a por kimenetéhez (16).
- Illessze a cső másik végét a porszívóhoz (25).



*Tartsa a porkimenetet a gép mögött, hogy az ne akadályozza a munkadarab figyelését.*

### 4. A GÉP KEZELÉSE

#### Bekapcsolás, kikapcsolás (B ábr)

- A gép bekapcsolásakor húzza a bekapcsoló kioldó kart (5), majd nyomja meg a bekapcsoló kapcsolót (1).

- A gép kikapcsolásakor engedje el a bekapcsoló kapcsolót (1).

**Használatlalt kapcsolatos javaslatok**

- A gép bekapcsolása után minden esetben várja meg, míg a gép eléri a teljes sebességét, mielőtt azt a munkadarabon használná.
- Rögzítse le a munkadarabot és győződjön meg arról, hogy az nem csúszhat ki a gép alól a munkálatok során.
- Tartsa a gépet határozottan és mozgassa azt egyenletesen a munkadarab felett. Soha ne erőltesse a gépet.
- Csak olyan vágófejeket használjon amelyen nem látható semmilyen kopás sem. Az elkopott vágófejek negatívan befolyásolják a gép teljesítményét.
- Mindig kapcsolja ki a gépet, mielőtt annak kábelét kihúzza a fali dugaljából.

**Sebesség előválasztás**

A kívánt sebességet a hüvelyujjal elérhető forgó kapcsolóval lehet előzetesen kiválasztani. A sebességet a használat közben is állítani lehet.

- 1 – 2 = alacsony sebesség
- 3 – 4 = közepes sebesség
- 5 – 6 = nagy sebesség
- Max = maximális sebesség

A szükséges sebesség az anyag függvénye, amit gyakorlati tesztekkel lehet megállapítani. A nagyobb átmérőjű marófejeket alacsonyabb sebességgel kell használni.

Anyag	Átmér marófej	Sebesség fokozat
Keményfa	>20 mm	1 – 2
	10 – 20 mm	3 – 4
	<10 mm	5 – max
Puhafa	>20 mm	1 – 3
	10 – 20 mm	3 – 6
	<10 mm	5 – max
Alumínium	>15 mm	1
	<15 mm	1 – 2
Műanyag	>15 mm	1 – 2
	<15 mm	2 – 3

Ha a géppel hosszabb ideig alacsony sebességgel dolgozik, akkor engedje azt pár percig hűlni terheletlen magas fordulatszámon.

**A maróoszlop magasság beállítása**

**F+B. Ábra**

A rögzítőkkal (11) lehet a marás maximális magasságát beállítani.

Ezután kell a marási mélységet beállítani. Erre akkor van szükség, ha a szerszámot egy speciális maróasztalon használjuk.

Győződjön meg arról, hogy a maróoszlop nincs lezárva.

A maró lefele nyomásához az ellenrúgónál nagyobb erőt kell kifejteni.

Zárja a maróoszlopot a rögzítőkkal.

A maró rögzítve lett, és az nem tér vissza az eredeti helyzetébe.

**A marási mélység beállítása**

**F+B. Ábra**

A marási mélységet a 8-as, a 9-es, a 11-es és a 15-ös gombokkal lehet beállítani. Ha a marási mélység megfelelően van beállítva, akkor a bemetszést 0,1 mm-es pontossággal lehet végezni. Előkészületek:

- Helyezze a megfelelő vágófejet a foglatba. A maró lefele nyomásához az ellenrúgónál nagyobb erőt kell kifejteni.
- Nyomja a szerszámot lefele, hogy a vágófej megérintse a munkadarabot, majd rögzítse azt a rögzítőkkal (11).
- Lazítsa meg a 9-es gombot.
- Állítsa a 15-ös gombot a nullára.
- A 8-as gomb segítségével állítsa be a teljes mélységet.
- Szorítsa meg a 9-es gombot (az óramutató járásával ellentétesen). Ekkor a marási mélység pontosan 0 mm-re van állítva.

Durva beállítás:

- Olvassa le az értéket a skáláról (12).
- Lazítsa meg a 9-es gombot.
- Forgassa el a 8-as gombot és újra olvassa le az értéket a skáláról. A két érték közötti különbség a beállított vágási mélység. Példa: Ha a skála (12) értéke 8,5 a nulla beállításnál és 7.0 miután a 8-as gombot elforgatta, akkor a vágási mélység 1,5 cm-re van beállítva.
- Szorítsa meg a 9-es gombot.

Finombeállítás:

- Lazítsa meg a 9-es gombot.
- A 15-ös felső gomb még nullára van állítva. Forgassa el ezt a gombot egy teljes fordulattal az óramutató járásával ellentétesen, amíg az vissza nem ér a nulla helyzetbe. Ekkor a vágási mélység 1,0 mm-rel csökken.

- Szükség esetén a vágási mélységet 0,1 mm-es pontossággal lehet állítani.
- Szorítsa meg a 9-es gombot. Oldja ki a rögzítőkart (11).

### A forgódobos mélységállító ütköző beállítása

A forgódobos mélységállító ütközővel gyorsan három különböző vágási mélység közül választhat. Ezeket a mélységeket a mélységállító ütközővel (10) lehet beállítani.

Nagyobb marási mélységeknél javasolt, hogy a marást több ismétlődő lépéssel végezze, alacsonyabb marási rátával.

- Állítsa be a szükséges vágási mélységet a forgódobos mélységállító ütköző (21) forgatásával.

## 5. KARBANTARTÁS



*Győződjön meg arról, hogy a gép le van választva az elektromos hálózatról, ha a motort tartja karban.*

A gépet úgy terveztük, hogy minimális karbantartással lehessen hosszabb ideig használni. A folyamatos megfelelő működés előfeltétele a gép megfelelő gondozása és rendszeres takarítása.

### Takarítás

Rendszeren takarítsa a szerszám burkolatát egy puha ruhával, lehetőség szerint minden egyes használat után. Tartsa a szellőzőnyílásokat tisztán és pormentesen. Ha a szennyeződés nem jön le a puha ruha segítségével, akkor nedvesítse meg a ruhát szappanos vízzel. Soha ne használjon oldószereket, például benzint, alkoholt vagy ammóniás szereket, stb., mert ezek az oldószerek tönkreteszik a műanyag alkatrészeket.

### Hibaelhárítás

A következő oldalon olvassa el az egyes hibákat, azok potenciális okait és a hibaelhárítás módját.

#### 1 A főkapcsoló be van kapcsolva, de a motor nem működik

- Az elektromos áramkör megszakadt
  - *Javítsa meg az elektromos áramkört*
- A csatlakozó vagy a fali dugó vezetékeli meglazultak
  - *Javítsa meg és ellenőriztesse a csatlakozó dugót és a dugaljat*

- A kapcsoló hibás
  - *Javítsa meg a kapcsolót*

#### 2 A marógép túl lassan jár

- Életlen vagy sérült vágófej
  - *Élesítse meg vagy cserélje le a vágófejet*
- A sebesség túl lassúra lett beállítva
  - *Növelje a sebességet*
- A motor túl van terhelve
  - *Csökkentse a marógép nyomását*

#### 3 Túl erős vibrálás

- A vágófej tengelye elferdült
  - *Cserélje a vágófejet*

#### 4 Szikrák a gép házában

- A szénkefék elkoptak
  - *Cserélje ki a szénkeféket*

### Hibák

Hiba esetén, pl. egy alkatrész elkopásakor, lépjen kapcsolatba a szervizzel, amelynek címe megtalálható a garancián. A robbantott ábra az utánrendelhető alkatrészeket mutatja.

## KÖRNYEZETVÉDELEM

A gép szállítási sérüléseinek megelőzése érdekében azt szilárd csomagolóanyagban szállítjuk. A csomagolóanyagok többsége újrahasznosítható. Ezeket az anyagokat az újrahasznosító gyűjtőszigeteknél adja le.



*A hibás és/vagy leselejtezett elektromos vagy elektronikus készülékeket az újrahasznosítással foglalkozó személtelpekre kell eljuttatni.*

### Csak az Európai Közösség országaiban

Az elektromos eszközöket ne dobja a háztartási hulladékok közé. Az 2012/19/EU Európai Irányelv - Elektromos és elektronikus berendezések hulladékai - és ennek nemzeti szabályozása alapján, azokat az elektromos eszközöket, melyek többé már nem használhatóak, külön kell összegyűjteni, és környezetbarát módon kell megszabadulni tőlük.

## GARANCIA

A garancia feltételei megtalálható a csomagban található garanciajegyen.

A termék és a felhasználói kézikönyv bármikor megváltoztatható. A módosítások további értesítés nélkül végrehajthatók.

## RUČNÍ FRÉZKA PRM1015

Děkujeme Vám za zakoupení produktu firmy Ferm. Zakoupením jste získali jedinečný výrobek, který dodává jeden z hlavních evropských dodavatelů. Všechny produkty, které dodává firma Ferm, se vyrábí podle nejvyšších výkonostních a bezpečnostních standardů. Součástí naší filozofie je i poskytování prvotřídního zákaznického servisu, který je zajištěn naší komplexní zárukou. Doufáme, že budete moci používat tento výrobek během mnoha příštích let.



*Před použitím frézy si důkladně přečtěte bezpečnostní pokyny obsažené v tomto návodu. Chráníte tak sebe a osoby, které se mohou nacházet ve vaší blízkosti během práce. Znalost pokynů obsažených v návodu vám umožní lépe využít možnosti frézy a ulehčí ovládání funkcí. Návod uschovejte pro budoucí použití.*

### Úvod

Tato ruční fréзка je určena pro frézování dřeva a dřevěných materiálů. Zkontrolujte, zda během přepravy nedošlo k uvolnění nebo poškození částí nářadí nebo jeho příslušenství.

### Obsah

1. Technické parametry
2. Bezpečnostní pokyny
3. Sestavení
4. Obsluha
5. Údržba

## 1. TECHNICKÉ PARAMETRY

### Specifikace

Napájecí napětí	230 V~
Frekvence	50 Hz
Příkon	1300 W
Otáčky bez zatížení	9000-30000/min
Řezná hloubka	60 mm
Upínací průměr	6 & 8 mm
Hmotnost	3,57 kg
Lpa (akustický tlak)	87,9+3 dB(A)
Lwa (Akustický výkon)	98,9+3 dB(A)
Vibrace levé rukojeti	3,509+1.5 m/s <sup>2</sup>
Vibrace pravé rukojeti	2,441+1.5 m/s <sup>2</sup>

## Úroveň vibrací

Úroveň vibrací uvedená na zadní straně tohoto manuálu s pokyny byla měřena v souladu se standardizovaným testem podle EN 60745; je možné ji použít ke srovnání jednoho přístroje s druhým a jako předběžné posouzení vystavování se vibracím při používání přístroje k uvedeným aplikacím.

- používání přístroje k jiným aplikacím nebo s jiným či špatně udržovaným příslušenstvím může zásadně zvýšit úroveň vystavení se vibracím.
- doba, kdy je přístroj vypnutý nebo kdy běží, ale ve skutečnosti není využíván, může zásadně snížit úroveň vystavení se vibracím.

Chraňte se před následky vibrací tak, že budete dbát na údržbu přístroje a příslušenství, budete si udržovat teplé ruce a uspořádáte si své pracovní postupy.

### Obsah balení

- 1 Ruční fréзка
- 1 Souběžné vodítko
- 1 Sada uhlíkových kartáčků
- 1 Vodící šablona
- 1 Redukce pro odsávání prachu
- 1 Vymezovací kroužek
- 1 4mm šestihranný klíč
- 1 Upínací sklíčidlo 8mm (sestaveno a nainstalováno na fréžce)
- 1 Upínací průměr 6 & mm
- 6 Frézovací nástroje - fréžky
- 1 Bezpečnostní pokyny
- 1 Návod k obsluze
- 1 Záruční list

### Informace o výrobku

#### Obr. A, B

1. Hlavní spínač
2. Rukojeť
3. Základní deska
4. Upevňovací šrouby souběžného vodítka
5. Zajištění spínače
6. Upevňovací matice
7. Zajištění vřetena
8. Tlačítko nastavení hloubky řezu
9. Křídlová matice nastavení hloubkového dorazu
10. Hloubkový doraz
11. Upínací páka
12. Stupnice pro nastavení hloubky řezu
13. Kolečko nastavení rychlosti otáčení

14. Vymezovací kroužek
15. Tlačítko jemného nastavení hloubky řezu
16. Odsávání prachu
17. Souběžné pravítko
18. Nulová značka
19. Souběžná opěrná stěna
20. Vodící tyč
21. Otočný hloubkový doraz
22. Šrouby
23. Vodící šablona
24. Redukce prachového odsávání
25. Trubice odsávání prachu

## 2. BEZPEČNOSTNÍ POKYNY

Návod k obsluze fréžky obsahuje následující symboly:



*Pečlivě si přečtěte pokyny.*



*Při nedodržování bezpečnostních pokynů uvedených v tomto návodu k obsluze se vystavujete nebezpečí poranění, ohrožení života jakož i nebezpečí poškození náradí.*



*Nebezpečí úrazu elektrickým proudem.*



*Odpojte zástrčku napájecího kabelu ze zásuvky.*



*Plynulá kontrola rychlosti otáčení.*



*Používejte ochranu zraku a sluchu.*



*Používejte ochrannou masku proti prachu.*



*Používejte ochranné rukavice.*

### Další bezpečnostní pokyny

- Zkontrolujte dílec, který budete frézovat. Nesmí obsahovat žádné kovové předměty nebo jiné překážky. Chráníte tak fréžku před poškozením.

- Před odstraněním zbytků materiálu z frézky nebo před odstraněním překážek z povrchu dílce, vždy vyčkejte dokud se frézka zcela nezastaví. Nikdy neodstraňujte odřezky prstem. Používejte vhodnou dřevěnou tyčku nebo jiný materiál.
- Udržujte ruce v bezpečné vzdálenosti od rotující frézky.
- Pokud frézka začne nezvykle hlučet nebo příliš vibrovat, přerušete práci a frézku okamžitě vypněte.
- Před použitím se ujistěte, že všechny části frézky pracují normálně a že je frézovací nástroj vyjmut ze sklíčidla.



*Vždy zkontrolujte, zda napájecí napětí v síti odpovídá napájecímu napětí, které je uvedeno na štítku stroje.*



*Vaše frézka je vybavena dvojitou izolací a tudíž není nutno používat uzemnění.*

- Staré nebo poškozené kabely a zástrčky po výměně ihned vyhodte. Připojování kabelu s poškozenou zástrčkou do zásuvky je velmi nebezpečné.
- Používejte pouze schválený typ prodlužovacího kabelu, který odpovídá příkonu příslušného nářadí. Minimální průřez vodiče je 1,5 mm<sup>2</sup>. Používáte-li cívku s navinutým kabelem, vždy odviňte celý kabel.



*Používejte ochrannou masku proti prachu.*



*Před výměnou frézovacího nástroje vyčkejte dokud se vřetenem zcela nezastaví a nástroj nevychladne.*

### 3. SESTAVENÍ

#### Volba frézovacího nástroje

V závislosti na použití a typu práce zvolte vyhovující frézku. Frézovací nástroje jsou k dostání v mnoha provedeních a tvarech: Frézky z rychlořezné oceli (HSS) jsou vhodné pro měkké materiály, například měkké dřevo nebo plasty. Frézky z karbidovým ostřím (HM) jsou vhodné pro tvrdé a odolné materiály, například tvrdé dřevo, hliník, atd.

#### Instalace a výměna frézovacího nástroje/frézky **Obr. C**

Používejte pouze frézky s průměrem který se shoduje s upínacím průměrem vřeten. Frézovací nástroje musí spolehlivě vydržet maximální otáčky frézy. Používejte pouze frézky s odpovídajícími parametry. Průměr frézovací hlavy nástroje nesmí překročit maximální povolený průměr. Viz Technické specifikace. Nikdy nedotahujte upínací matici sklíčidla, pokud není ve sklíčidle nástroj. Hrozí poškození sklíčidla.

- Stiskněte pojistné tlačítko sklíčidla (7) a otočte upínacím šroubem (6) dokud nezapadne do zámku. Během upevňování držte pojistné tlačítko stisknuté.
- Vymezovacím kroužkem otevřete sklíčidlo (14).
- Nasuňte dřív frézky do sklíčidla.
- Dotáhněte upínací matici a upevněte nástroj ve sklíčidle.
- Při výměně nástroje opět povolte upínací matici sklíčidla.

#### Nastavení souběžného vodícího pravítka

Souběžné vodítko se používá při přesném obrábění podle předem nastavené vzdálenosti. Vzdálenost je nastavena od okraje obrobku.

- Upevněte požadovaný frézovací nástroj do sklíčidla.
- Posuňte vodící pravítko podél vodících tyček k základně a nastavte požadovanou vzdálenost. Dotáhněte v požadované poloze. Vzdálenost odměřte pomocí křídlových matic.

#### Instalace vodící šablony

##### **Obr. D**

Šablona je vítaná pomůcka při frézování různých vzorů.

- Nasadte šablonu (23) na základnu frézy (3). K upevnění použijte šrouby (22).

#### Instalace redukce pro odsávání prachu

##### **Obr. E**

Adaptér použijte při odsávání prachu. Pokud není redukce nainstalována na frézce, postupujte následovně:

- Nainstalujte prachovou redukci (24) a upevněte šrouby (22) na základnu frézky (3).
- Nasuňte prachovou trubici (25) do odsávacího otvoru (16).
- Trubicu spojte s odsávacím potrubím vysavače (25).



Trubic odsávání nasměrujte dozadu za frézku, abyste mohli dobře pozorovat obráběný dílec při práci.

## 4. OBSLUHA

### Zapnutí a vypnutí (obr. B)

- Chcete-li nářadí zapnout, zatlačte zajišťovací tlačítko (5) a potom stiskněte spínač zapnuto/vypnuto (1).
- Chcete-li nářadí vypnout, uvolněte spínač zapnuto/vypnuto (1).

### Rady k používání frézy.

- Po zapnutí frézy vyčkejte dokud vřetenem nedosáhne maximální otáčky. Teprve potom můžete začít frézovat.
- Obráběný dílec spolehlivě upevněte pomocí upínacího zařízení, aby nemohlo dojít k posunu dílce během obrábění.
- Frézu držte pevně a posunujte ji po povrchu dílce rovnoměrně. Na frézu příliš netlačte.
- Používejte pouze nepoškozené frézovací nástroje. Tupé nebo jinak poškozené frézky snižují výkon stroje.
- Před odpojením napájecího kabelu od síťové zásuvky vždy nejdříve nářadí vypněte.

### Nastavení otáček

Požadovanou rychlost otáčení vřetenem nastavte otáčením nastavovacího kolečka. Rychlost otáčení lze měnit i během práce.

1 – 2 = pomalá rychlost

3 – 4 = střední rychlost

5 – 6 = vysoká rychlost

Max = maximální rychlost

Rychlost nastavte v závislosti na obráběném materiálu a typu práce. Nejvhodnější rychlost zjistíte odzkoušením. Frézovací nástroje s většími průměry vyžadují nižší rychlosti.

Materiál	Průměr frézovací nástroj	Rychlost
Tvrdé dřevo	>20 mm	1 – 2
	10 – 20 mm	3 – 4
	<10 mm	5 – max
Měkké dřevo	>20 mm	1 – 3
	10 – 20 mm	3 – 6
	<10 mm	5 – max

Hliník	>15 mm	1
	<15 mm	1 – 2
Plasty	>15 mm	1 – 2
	<15 mm	2 – 3

Pokud pracujete s frézou delší dobu (hlavně při nižších otáčkách) nechte stroj náležitě vychladnout po dobu několika minut. Frézu nejlépe ochladíte pokud ji nastavíte na nejvyšší otáčky a necháte ji běžet naprázdno.

### Nastavení výšky frézovacího sloupku

#### Obr. F+B

Upínací páka (11) se používá k nastavení maximální výšky sloupku frézy. Tím je nastavena pevná hloubka řezu. Toto nastavení se nejvíce používá pokud používáte frézu upevněnou na frézovací stůl. Ujistěte se, že sloupek není zamčený. Sloupek lze stlačit dolů. Sloupek je vybaven pružinou, která vrací sloupek zpět.

Sloupek lze uzamknout upínací pákou. Fréza je nyní nastavena v poloze a nelze ji vrátit do původní polohy.

### Nastavení hloubky řezu

#### Obr. F+B

Hloubku řezu lze nastavit ovládacími prvky 8, 9, 11 a 15. Pokud je hloubka nastavena správně, můžete frézovat drážky s přesností 0,1 mm.

#### Příprava:

- Upevněte požadovaný frézovací nástroj do sklíčidla. Sloupek lze stlačit dolů. Sloupek je vybaven pružinou, která vrací sloupek zpět.
- Zatlačte na frézovací nástroj, dokud se nástroj nedotkne povrchu dílce. Potom uzamkněte upínací páku (11).
- Povolte nastavovací kolečko 9.
- Nastavte kolečko 15 na nulu.
- Kolečko 8 nastavte na maximální hloubku.
- Utáhněte kolečko 9 (doprava). Nyní je nastavena hloubka řezu přesně na 0 mm.

#### Hrubé nastavení:

- Přečtěte hloubku ze stupnice (12).
- Povolte nastavovací kolečko 9.
- Otočte kolečkem 8 a opět zkontrolujte hodnotu na stupnici. Rozdíl mezi původní a nově nastavenou hodnotou je nastavená hloubka řezu. Například: Je-li hodnota na stupnici (12) 8,5, při nulovém nastavení, a po otočení kolečkem (8) je nová hodnota na stupnici 7,



nová hloubka řezu je 1.5 cm.

- Opět dotáhněte kolečko 9.

Jemné nastavení:

- Povolte nastavovací kolečko 9.
- Horní kolečko nastavení (15) je nastaveno stále na nulovou hodnotu. Otočte jím naplno doleva, dokud není nastaveno zpět na nulu. Nyní je hloubka řezu nastavena o 1.0 mm méně.
- Pokud je to nutné, můžete nastavit hloubku řezu s přesností 0.1 mm.
- Opět dotáhněte kolečko 9.  
Uvolněte upínací páku (11).

### Nastavení za použití otočného hloubkového dorazu

Otočný hloubkový doraz vám umožňuje rychle zvolit nastavení hloubky řezu ze tří různých hodnot. Tyto přednastavené hodnoty jsou určeny nastavitelným dorazem (10).

Pokud potřebujete vyfrézovat větší hloubku, doporučujeme použít menší nastavení a provést více řezů po sobě.

- Otáčením otočného hloubkového dorazu (21) nastavte požadovanou hloubku.

## 5. ÚDRŽBA



*Před prováděním údržby motoru se ujistěte, že nářadí není připojeno k elektrické síti.*

Zařízení je určeno pro dlouhodobé používání s minimální údržbou. Dlouhodobý bezproblémový provoz nářadí závisí na řádné péči o nářadí a na jeho pravidelném čištění.

### Čištění

Pravidelně čistěte skříň nářadí měkkým hadříkem, pokud možno po každém použití. Dbejte na to, aby větrací otvory nebyly zaneseny prachem a nečistotami. Nelze-li nečistoty odstranit, použijte měkký hadřík navlhčený v saponátu. Nikdy nepoužívejte rozpouštědla jako je benzín, líh, čpavek, atd. Tyto rozpouštědla mohou poškodit plastové díly.

### Poruchy a jejich odstranění

Na následující straně naleznete popis a řešení možných problémů, které se mohou vyskytnout při používání nářadí.

### 1 Hlavní vypínač je zapnutý, ale motor nepracuje

- Elektrický okruh je přerušen
  - *Nechejte frézu opravit elektrikářem*
- Dráty napájecího kabelu jsou uvolněné nebo síťová zásuvka nepracuje.
  - *Nechejte frézu nebo síťovou zásuvku zkontrolovat nebo opravit elektrikářem*
- Hlavní vypínač je vadný
  - *Nechejte opravit hlavní vypínač*

### 2 Frézka se otáčí pomalu

- Tupý nebo poškozený frézovací nástroj
  - *Naostřete nebo vyměňte frézovací nástroj za nový*
- Nastavení rychlosti otáčení je nastaveno na minimum.
  - *Zvyšte nastavení rychlosti*
- Motor je přetížen
  - *Na frézu netlačte*

### 3 Příliš velké vibrace

- Dřík frézovacího nástroje je ohnutý
  - *Vyměňte frézovací nástroj*

### 4 Jiskření uvnitř frézy

- Uhlíkové kartáčky jsou opotřebované
  - *Vyměňte opotřebované uhlíkové kartáčky*

### Poruchy

Dojde-li k poruše, například v důsledku opotřebování dílu, spojte se prosím s autorizovaným servisem, jehož adresa je uvedena na záručním listu. Podle detailního rozkreslení frézy zjistíte, kterou součástku potřebujete objednat.

## ŽIVOTNÍ PROSTŘEDÍ

Nářadí je zabaleno v ochranném obalovém materiálu a pevné krabici, aby se předešlo poškození nářadí během transportu. Většina obalového materiálu je recyklovatelná. Odevzdejte obalový materiál do příslušného sběrného dvora.



*Porouchaná a vyřazená elektrická nebo elektronická zařízení musí být odevzdána a shromážděna v příslušných recyklačních sběrných dvorech.*

**Pouze pro krajiny ES**

Elektricky napájené zařízení neodhazujte do domovního odpadu. Ve smyslu evropské směrnice 2012/19/EU o elektrickém a elektronickém odpadu a její implementace do národního práva, se musí elektrické nástroje, které se již déle nepoužívají, shromážďovat odděleně a likvidovat pouze způsobem, jenž nepoškozuje životní prostředí.

**ZÁRUKA**

Záruční podmínky naleznete na přiloženém záručním listě.

**Výrobek a návod k obsluze podléhají změnám. Technické údaje je možné změnit bez předchozího upozornění.**

**HORNÁ FRÉZKA  
PRM1015**

Ďakujeme Vám za zakúpenie výrobku firmy Ferm. Zakúpením ste získali jedinečný výrobok, ktorý dodáva jeden z hlavných európskych dodávateľov. Všetky výrobky, ktoré dodáva firma Ferm, sa vyrábajú podľa najvyšších výkonnostných a bezpečnostných štandardov. Súčasťou našej filozofie je takisto poskytovanie vynikajúceho zákazníckeho servisu, ktorý je zaistený našou komplexnou zárukou. Dúfame, že budete môcť využívať tento výrobok počas mnohých nasledujúcich rokov.



*Pre vašu vlastnú bezpečnosť a pre bezpečnosť druhých si pozorne prečítajte tieto pokyny skôr, ako toto zariadenie použijete. Pomôže vám jednoduchšie pochopiť váš produkt a predísť zbytočným rizikám. Uchovajte túto používateľskú príručku na bezpečnom mieste pre použitie v budúcnosti.*

**Pokyny**

Horná fréзка sa navrhla pre smerovanie dreva a drevených produktov. Na zariadení skontrolujte, či sa neuvolnili diely a príslušenstvo pri poškodení počas prepravy.

**Obsah**

1. Technické údaje stroja
2. Bezpečnostné pokyny
3. Zloženie
4. Prevádzka
5. Údržba

**1. TECHNICKÉ ÚDAJE STROJA****Technické údaje**

Napätie	230 V~
Frekvencia	50 Hz
Príkonnosť	1300 W
Rýchlosť pri nezaťažení	9000-30000/min
Hĺbka rezania	60 mm
Upínacia vložka	6 a 8 mm
Hmotnosť	3,57 kg
Lpa (akustický tlak)	87,9+3 dB(A)
Lwa (akustický výkon)	98,9+3 dB(A)
Vibrácie na ľavej rukoväti	3,509+1.5 m/s <sup>2</sup>
Vibrácie na pravej rukoväti	2,441+1.5 m/s <sup>2</sup>

### Hladina vibrácií

Hladina emisií od vibrácií uvedená na zadnej strane tohto návodu na obsluhu bola nameraná v súlade s normalizovaným testom uvedeným v norme EN 60745; môže sa používať na vzájomné porovnávanie náradí a na predbežné posúdenie vystavenia účinkom vibrácií pri používaní náradia pre uvedené aplikácie.

- používanie náradia na rôzne aplikácie, alebo v spojení s rôznymi alebo nedostatočne udržiavanými doplnkami môže značne zvýšiť úroveň vystavenia.
- časové doby počas ktorých je náradie vypnuté alebo počas ktorých náradie beží ale v skutočnosti nevykonáva prácu môžu značne znížiť úroveň vystavenia.

Chráňte sa pred účinkami vibrácií tak, že budete náradie a jeho príslušenstvo správne udržiavať, tak že nebudete pracovať so studenými rukami a tak že si svoje pracovné postupy správne zorganizujete.

### Obsah balenia

- 1 Horná fréзка
- 1 Paralelný vodiaci prvok
- 1 Súprava karbónovej kefy
- 1 Šablónový vodiaci prvok
- 1 Adaptér na odsávanie prachu
- 1 Skrutkovač
- 1 4 mm šesťhranný kľúč
- 1 Upínacia vložka 8 mm (zložená na stroji)
- 1 Upínacia vložka 6 mm
- 6 Bitov pre hornú fréšku
- 1 Bezpečnostné pokyny
- 1 Prevádzkové pokyny
- 1 Záručný list

### Informácie o produkte

#### Obr. A, B

1. Vypínač
2. Rúčka
3. Základná platňa
4. Upevňovacie skrutky pre paralelnú zábranu
5. Tlačidlo uzamknutia spínača
6. Matica upínacej vložky
7. Uzamknutie hriadeľa
8. Tlačidlo nastavenia hĺbky ponoru
9. Krídlová skrutka pre zastavovač hĺbky
10. Zastavovač hĺbky
11. Upínacia páčka
12. Mierka hĺbky ponoru
13. Nastavovacie koliesko pre elektronické ovládanie rýchlosti

14. Skrutkovač
15. Tlačidlo jemného doladenia hĺbky ponoru
16. Zariadenie na odsávanie prachu
17. Právítko paralelnej zábrany
18. Značka nuly
19. Paralelná zábrana
20. Vodiaca tyčka
21. Bubiенок zastavovača hĺbky
22. Skrutky
23. Šablónový vodiaci prvok
24. Prachový adaptér
25. Prachová trubica

## 2. BEZPEČNOSTNÉ POKYNY

V tejto používateľskej príručke sa používajú nasledujúce symboly:



*Pozorne si prečítajte pokyny.*



*Nebezpečenstvo ohrozenia života a riziko zranenia, ako aj riziko poškodenia stroja v prípade nedodržania bezpečnostných pokynov v týchto používateľských pokynoch.*



*Nebezpečenstvo zásahu elektrickým prúdom.*



*Vytiahnite zásuvku zo sieťovej zástrčky.*



*Premenlivé ovládanie rýchlosti.*



*Noste ochranu sluchu a zraku.*



*Noste protiprachovú masku.*



*Noste ochranné rukavice.*

### Dodatočné bezpečnostné pokyny

- Skontrolujte akékoľvek prekážky na povrchovom materiáli opracúvaných predmetov, ako napríklad prečnievajúce kince atď., aby ste chránili hlavu hornej fréžky.

- Počkajte, kým horná fréza úplne nezastane, a až potom odstráňte akýkoľvek zablokovaný alebo stočený materiál okolo rezacej hrany. Na túto činnosť použite dlhú paličku a nikdy nie svoj prst.
- Uchovajte ruky z dosahu smerujúceho povrchu.
- Okamžite vypnite nástroj, ak začne vytvárať akýkoľvek nezvyčajný zvuk alebo začne nadmerne vibrovať.
- Skontrolujte, či sú všetky diely zabezpečené, vybraté nástroje atď. skôr, ako začnete prevádzku.



*Vždy skontrolujte, či sieťové napájanie je v súlade s napätím na menovitom štítiku.*



*Vaše zariadenie má dvojitú izoláciu, preto sa nevyžaduje žiadne uzemnenie.*

- Okamžite odhodte staré káble alebo konektory potom, čo ich vymeníte za nové. Je nebezpečné zapojiť konektor voľného kábla do sieťovej zásuvky.
- Používajte len schválený predĺžovací kábel, ktorý je vhodný pre vstup napájania zariadenia. Minimálna veľkosť vodiča je 1,5 mm<sup>2</sup>. Keď používate kábel navinutý na cievke, cievku vždy úplne odviňte.



*Pred upevnením príslušenstva vždy odpojte nástroj.*



*Pred výmenou rezného disku počkajte, kým sa zariadenie úplne nezastaví a rezný disk sa neschladí.*

### 3. ZLOŽENIE

#### Výber bitu hornej frézy

V závislosti od spracovania a použitia sú dostupné bity hornej frézy s rôznymi dizajnmi a rôznej kvality:

Bity hornej frézy vyrobené z vysokorychlostnej ocele (HSS) sú vhodné na prácu s mäkkými materiálmi, napr. mäkkým drevom a plastmi. Bity hornej frézy s karbidovou špičkou (HM) sú obzvlášť vhodné pre tvrdé a drsné materiály, napr. tvrdé drevo a hliník.

#### Montáž a demontovanie rezných diskov

##### Obr. C

Používajte len rezné disky s priemerom hriadeľa, ktorý je v súlade s veľkosťou upínacej vložky. Používajte len rezné disky, ktoré sú vhodné pre maximálnu rýchlosť zariadenia. Priemer rezného disku by nemal prekračovať maximálny priemer (pozrite "Technické údaje"). Nikdy nedotahujte maticu upínacej vložky, ak v upínacej vložke nie je žiadny bit hornej frézy; upínacia vložka by sa mohla poškodiť.

- Stlačte uzamknutie hriadeľa (7) a otočte maticu upínacej vložky (6), kým nezapadne do uzamknutia. Počas tohto postupu držte uzamknutie hriadeľa zatlačené.
- Pomocou kľúča otvorte maticu upínacej vložky (14).
- Do upínacej vložky vložte hriadeľ rezného disku.
- Dotiahnite maticu upínacej vložky, aby sa správne uzamkol rezný disk.
- Otvorte maticu upínacej vložky, keď budete chcieť vymeniť rezný disk.

#### Nastavenie pravitka paralelnej zábrany

Paralelná zábrana je užitočným nástrojom pri presnom vedení pri pevnej vzdialenosti od okraja opracúvaného predmetu.

- Do nástroja vložte požadovaný rezný disk.
- Posuňte paralelný vodiaci prvok s vodiacimi tyčami do základnej platne a dotiahnite pri požadovanom rozsahu s krídlovými skrutkami.

#### Upevnenie šablónového vodiaceho prvku

##### Obr. D

Šablónový vodiaci prvok je šikovou pomôckou pre rezanie vzoru.

- Upevnite šablónový vodiaci prvok (23) na základňu hornej frézy (3) pomocou skrutiek (22).

#### Upevnenie adaptéra pre odsávanie prachu

##### Obr. E

Na odsávanie prachu použite prachový adaptér. V prípade, že adaptér nie je namontovaný na stroji, postupujte podľa týchto pokynov:

- Upevnite prachový adaptér (24) skrutkami (22) na pätu rezného disku (3).
- Umiestnite prachovú trubicu (25) do výstupu prachu (16).
- Umiestnite hadicu vysávača do prachovej trubice (25).



Výstup stroja uchovajte za strojom na uchovanie dobrého výhľadu na opracúvaný predmet.

## 4. PREVÁDZKA

### Zapnutie a vypnutie (obr. B)

- Ak chcete zariadenie zapnúť, potiahnite uvoľňovaciu páčku pre lopatkový spínač Vyp./Zap. (5) a potom stlačte lopatkový spínač Zap./Vyp. (1).
- Ak chcete zariadenie vypnúť, uvoľnite lopatkový spínač Zap./Vyp. (1).

### Tipy pre používanie

- Po zapnutí zariadenia sa uistite, že zariadenie dosiahne plnú rýchlosť skôr, ako ho použijete na opracúvaný predmet.
- Uchyťte opracúvaný predmet a uistite sa, že opracúvaný predmet sa nemôže vyšmyknúť spod stroja počas rezania.
- Pevne chyťte zariadenie a pohybujte ním rovnomerne po opracúvanom predmete. Netlačte na zariadenie.
- Používajte len rezné disky, ktoré nevykazujú žiadne známky opotrebovania. Opotrebované rezné disky majú negatívny vplyv na efektívnosť zariadenia.
- Vždy zariadenie najskôr vypnite skôr, ako vytiahnete zástrčku zo sieťovej zásuvky.

### Predvoľba rýchlosti

Požadovanú rýchlosť môžete predvoliť pomocou ručného kolieska. Rýchlosť otáčania môžete nastaviť tiež počas prevádzky.

1 – 2 = nízka rýchlosť  
3 – 4 = stredná rýchlosť  
5 – 6 = vysoká rýchlosť  
Max = maximálna rýchlosť

Požadovaná rýchlosť závisí od materiálu a môže sa určiť praktickým testovaním. Okrem toho bity hornej frézy s veľkým priemerom potrebujú nižšiu rýchlosť otáčania.

Materiál	Priemer bit hornej frézy	Rozsahy rýchlosti
Tvrdé drevo	>20 mm	1 – 2
	10 – 20 mm	3 – 4
	<10 mm	5 – max

Mäkké drevo	>20 mm	1 – 3
	10 – 20 mm	3 – 6
	<10 mm	5 – max
Hliník	>15 mm	1
	<15 mm	1 – 2
Plasty	>15 mm	1 – 2
	<15 mm	2 – 3

Po dlhšej práci pri nízkej rýchlosti nechajte zariadenie schlaadiť tak, že ho niekoľko minút pustíte pri vysokej rýchlosti bez zataženia.

### Nastavenie výšky stĺpika hornej frézy

#### Obr. F+B

Upínacia páčka (11) sa používa na nastavenie maximálnej výšky hornej frézy. Hĺbka ponoru je potom pevne stanovená. Toto je zvyčajne potrebné, keď používate nástroj na špeciálnom stroji pre hornú frézu. Uistite sa, že stĺpik hornej frézy nie je uzamknutý. Hornú frézu môžete pritlačiť nadol oproti sile pružiny. Uzamknite stĺpik hornej frézy pomocou upínacej páčky. Horná fréza je teraz uzamknutá a už sa nevráti do svojej pôvodnej polohy.

### Nastavenie hĺbky ponoru

#### Obr. F+B

Hĺbku ponoru môžete nastaviť pomocou tlačidiel 8, 9, 11 a 15. Ak sa hĺbka ponoru nastaví správne, príslušnú drážku môžete viesť presne v rámci 0,1 mm.

#### Príprava:

- Do nástroja vložte požadovaný rezný disk. Hornú frézu môžete pritlačiť nadol oproti sile pružiny.
- Nástroj zatlačte nadol, kým sa rezný disk nedotkne opracúvaného predmetu, potom ho uzamknite pomocou upínacej páčky (11).
- Uvoľnite tlačidlo 9.
- Nastavte tlačidlo 15 na nulu.
- Použite tlačidlo 8 na nastavenie hĺbky úplne nadol.
- Dotiahnite tlačidlo 9 (v smere hodinových ručičiek). Hĺbka ponoru sa teraz presne nastavila na 0 mm.

#### Hrubé nastavenie:

- Prečítajte si hodnotu z miery (12).
- Uvoľnite tlačidlo 9.
- Otočte tlačidlo 8 a opätovne si prečítajte hodnotu z miery. Rozdiel medzi dvomi

hodnotami predstavuje nastavenie hĺbky ponoru. Napríklad: Ak je hodnota na mierke (12) 8,5 pri nulovom nastavení a hodnota je 7,0 po otočení tlačidla (8), potom je hĺbka ponoru nastavená na 1,5 cm.

- Opätovne dotiahnite tlačidlo 9.

Jemné nastavenie:

- Uvoľnite tlačidlo 9.
- Horné tlačidlo (15) je stále nastavené na nulu. Toto tlačidlo otočte úplne o jedno otočenie proti smeru hodinových ručičiek, kým nebude späť v nulovej polohe. Hĺbka ponoru je teraz o 1,0 mm menšia.
- Ak je to potrebné, môžete nastaviť hĺbku ponoru presne v rámci 0,1 mm.
- Opätovne dotiahnite tlačidlo 9. Odomknite upínaciu páčku (11).

### Nastavenie pomocou bubienkového zastavovača hĺbky

Bubienkový zastavovač hĺbky vám umožňuje rýchlo vybrať medzi tromi rôznymi hĺbkami rezania. Tieto sa tiež určujú nastavením zastavovača hĺbky (10).

Pre väčšie hĺbky dráhy sa odporúča, aby ste vykonali viacero opakovaných rezov pri nižších zárezných hĺbkach.

- Upravte požadovanú hĺbku rezania otočením bubienkového zastavovača hĺbky (21).

## 5. ÚDRŽBA



*Uistite sa, že zariadenie nie je pod prúdom, keď vykonávate údržbu na motore.*

Zariadenia sa navrhli tak, aby sa dlhodobo používali pri minimálnej údržbe. Nepretržitá uspokojivá prevádzka závisí od správnej starostlivosti o zariadenie a od pravidelného čistenia.

### Čistenie

Pravidelne čistite puzdro zariadenia jemnou handričkou, pokiaľ je to možné po každom použití. Vetracie otvory udržiavajte čisté od prachu a špiny. Ak sa špina nedá zmyť, použite jemnú handričku navlhčenú vodou s mydlom. Nikdy nepoužívajte rozpúšťadlá, ako napríklad benzín, alkohol, amoniakovú vodu atď. Tieto rozpúšťadlá môžu poškodiť plastové diely.

### Riešenie problémov

Na nasledujúcej strane nájdete niekoľko možných príčin a riešení pre možné zlyhanie.

#### 1 Prevádzkový spínač je zapnutý, ale motor nefunguje

- Je prerušený elektrický okruh
  - *Nechajte opraviť elektrický okruh*
- Sú uvoľnené káble v sieťovej zástrčke alebo v zásuvke
  - *Nechajte skontrolovať alebo opraviť zásuvku a zástrčku*
- Je chybný spínač
  - *Nechajte opraviť spínač*

#### 2 Horná fréзка funguje pomaly

- Ohnutý alebo poškodený rezný disk
  - *Opätovne zaostrite alebo vymeňte rezný disk*
- Premennivá rýchlosť je nastavená na nízku
  - *Zvýšte premenlivú rýchlosť*
- Motor je preťažený
  - *Znížte prítlak na hornú fréčku*

#### 3 Nadmerné vibrácie

- Ohnutý hriadeľ rezného disku
  - *Vymeňte rezný disk*

#### 4 Iskry pod krytom

- Sú opotrebované karbónové kefy
  - *Vymeňte karbónové kefy*

### Poruchy

Ak by sa vyskytla porucha, napr. po opotrebovaní dielu, kontaktujte adresu na záručnom liste. V dodávke nájdete rozložené zobrazenie dielov, ktoré môžete objednať.

## ŽIVOTNÉ PROSTREDIE

Aby sa predišlo v poškodení stroja počas prepravy, dodáva sa v pevnom balení. Väčšina materiálov balenia sa dá recyklovať. Zoberte tieto materiály do príslušných recyklačných stredísk.



*Chybné a/alebo zahodené elektrické alebo elektronické zariadenie sa musí zbierať na príslušných recyklačných miestach.*

### Len pre štáty ES

Elektricky napájané zariadenia neodhadzujte do domového odpadu. Podľa európskej smernice

2012/19/EU o električkom a elektroničkom odpadu a jej implementácie do národného práva, električné nástroje, ktoré sa už ďalej nepoužívajú, sa musí zhrádzať samostatne a likvidovať iba ekologicky prijateľným spôsobom.

## ZÁRUKA

Záručné podmienky môžete nájsť na samostatne priloženom záručnom liste.

**Výrobok a návod na obsluhu podliehajú zmenám. Technické údaje sa môžu zmeniť bez predchádzajúceho upozornenia.**

## REZKAR PRM1015

Hvala, ker ste kupili ta Fermov izdelek. S tem ste si zagotovili odliččen izdelek, ki vam ga je dobavil eden vodilnih evropskih dobaviteljev. Vsi izdelki, ki vam jih dobavi Ferm, so izdelani po najvišjih standardih varnosti in učinkovitosti. Del naše filozofije je tudi odlična podpora strankam, ki se odraža tudi v naši obsežni garanciji. Upamo, da vam bo ta izdelek odlično služil še dolgo vrsto let.



*Va vašo lastno varnost in varnost ostalih, si pred uporabo naprave pozorno preberite ta navodila. Slednja vam bodo pomagala, da boste napravo lažje uporabljali in se izognili nepotrebnim tveganjem. Priročnik z navodili hranite na varnem in dostopnem mestu.*

### Predstavitev

Rezkar je namenjen rezkanju lesa in lesnih izdelkov. Preverite stroj, ločene dele in priključke zaradi morebitnih poškodb med prevozom.

### Vsebina

1. Informacije o stroju
2. Varnostna navodila
3. Sestavljanje
4. Delovanje
5. Vzdrževanje

## 1. INFORMACIJE O STROJU

### Tehnične specifikacije

Napetost	230 V~
Frekvenca	50 Hz
Dovod energije	1300 W
Hitrost brez obremenitve	9000-30000/min
Globina rezanja	60 mm
Vpenjalna čeljust	6 & 8 mm
Teža	3,57 kg
Lpa (zvočni tlak)	87,9+3 dB(A)
Lwa (zvočna moč)	98,9+3 dB(A)
Vibracije levega ročaja	3,509+1.5 m/s <sup>2</sup>
Vibracije desnega ročaja	2,441+1.5 m/s <sup>2</sup>

### Raven vibracij

Raven oddajanja vibracij, navedena na zadnji strani teh navodil za uporabo je bila izmerjena v skladu s standardiziranimi testi, navedenimi v

EN 60745; uporabiti jo je mogoče za primerjavo različnih orodij med seboj in za predhodno primerjavo izpostavljenosti vibracijam pri uporabi orodja za namene, ki so omenjeni.

- uporaba orodja za drugačne namene ali uporaba skupaj z drugimi, slabo vzdrževanimi nastavki lahko znatno poveča raven izpostavljenosti.
- čas, ko je orodje izklopljeno ali ko teče, vendar z njim ne delamo, lahko znatno zmanjša raven izpostavljenosti.

Pred posledicami vibracij se zaščitite z vzdrževanjem orodja in pripadajočih nastavkov, ter tako, da so vaše roke tople, vaši delovni vzorci pa organizirani.

#### Vsebina paketa

- 1 Rezkar
- 1 Vzoredno vodilo
- 1 Ogljikova ščetka set
- 1 Vodilna predloga
- 1 Adapter odsesovalnika prahu
- 1 Napenjalnik
- 1 4 mm heksagonalni ključ
- 1 Vpenjalna čeljust 8 mm (sestavljen na stroju)
- 1 Vpenjalna čeljust 6 mm
- 6 Nastavki rezkarja
- 1 Varnostna navodila
- 1 Navodila za uporabo
- 1 Garancijski list

#### Podatki o proizvodu

##### Slika A, B

1. Stikalo za vklop/izklop
2. Ročaj
3. Osnovna plošča
4. Pritrdilni vijaki vzorednega vodila
5. Gumb zaklepa stikala
6. Matica vpenjalne glave
7. Zaklep vretena
8. Gumb za prilagajanje globine dolbljenja
9. Krilna matica globinskega zaustavljalnika
10. Globinski zaustavljalnik
11. Vzvod za pripenjanje
12. Merilo globine dolbljenja
13. Prilagoditveno kolo za elektronski nadzor
14. Napenjalnik
15. Gumb za fino prilagajanje globine dolbljenja
16. Odsesovalnik prahu
17. Ravnilo vzorednega vodila
18. Nična oznaka
19. Vzoredno vodilo

20. Vodilni drog
21. Revolver globinskega zaustavljalnika
22. Vijaki
23. Vodilna predloga
24. Adapter odsesovalnika
25. Cev odsesovalnika

## 2. VARNOSTNA NAVODILA

V teh navodilih za uporabo so uporabljene sledeči simboli:



*Pazljivo preberite navodila.*



*V primeru neupoštevanja teh varnostnih navodil in navodil za uporabo obstaja življenjska nevarnost in nevarnost osebnih ter materialnih poškodb.*



*Nevarnost električnega udara.*



*Odstranite vtičak iz vtičnice.*



*Krmiljenje spremenljive hitrosti.*



*Nosite varovalno opremo za ušesa in oči.*



*Nosite protiprašno masko.*



*Nosite zaščitene rokavice.*

#### Dodatna varnostna navodila

- Prosimo, da obdelovance preverite glede morebitnih tujkov na površini, kot si izstopajoči žebliji, itd. ter tako zaščitite glavo rezkarja.
- Pred odstranjevanjem navitih ostružkov počakajte, da se rezkar popolnoma zaustavi. Za odstranjevanje uporabite daljšo palico.
- Prosimo, da imate dlani proč od vrtečih se delov.



- Če zaznate neobičajen zvok delovanja oziroma prekomerne vibracije, stroj takoj ugasnite.
- Prosimo, da pred obratovanjem preverite, če so vsi deli dobro pritrjeni orodja pa odstranjena.



*Vedno preverite, da električno napajanje ustreza napetosti na registrski tablici stroja.*



*Stroj je dvojno izoliran, zato ga ni treba dodatno ozemljiti.*

- Stare kable in vtikače takoj po zamenjavi z novimi odvrzite v smeti. Vstavljanje odsluženega vtikača ali kabla v zidno vtičnico je zelo nevarno.
- Uporabljajte le odobrene podaljške, ki ustrezajo lastnostim za napajanje vašega stroja. Minimalni premer kabla je 1,5 mm<sup>2</sup>. Ko uporabljate podaljšek na vretenu, slednjega vedno popolnoma odvijte.



*Pri sestavljanju naj bo orodje vedno odklopljeno z napajanja.*



*Pred menjavo rezalnika preverite, da se je slednji popolnoma zaustavil in ohladil.*

### 3. SESTAVLJANJE

#### Izbira nastavkov rezkarja

Glede na delo, ki ga boste upravljali, imate na voljo širok izbor nastavkov različnih oblik ter kakovosti: Nastavki rezkarja iz visoko-hitrostnega jekla (HSS) so primerni za delo z mehкими materiali, npr. mehak les in plastika.

Nastavki z vidia konico (HM) so praviloma primerni za trde in abrazivne materiale, kot sta trd les in aluminij.

#### Montaža in odstranjevanje rezalnikov

##### Slika C

Uporabljajte le razalnike, katerih dimenzije ustrezajo velikosti vpenjalne glave. Pazite tudi na dovoljene hitrosti vrtenja. premer rezalnika nikoli ne sme presežati največjega dovoljenega premera (oglejte si 'Tehnične informacije'). Nikoli ne privijte matice vpenjalne čeljusti, če v njej ni vstavljenega nastavka; pri tem bi slednjo lahko poškodovali.

- Pritisnite zaklep vretena (7) in obrnite matico vpenjalne čeljusti (6) da sede v ležišče. Med postopkom naj bo zaklep vretena pritisnjen.
- S pomočjo napenjalnika odvijte matico vpenjalne čeljusti (14).
- Vstavite gred rezalnika v vpenjalno čeljust.
- privijte matico vpenjalne čeljusti in zagotovite pravilno vpetje rezalnika.
- pri menjavi rezalnika, odvijte matico vpenjalne čeljusti.

#### Nastavljanje ravnila vzporednega vodila

Vzporedno vodilo je uporabno orodje za natančno rezkanje na fiksni razdalji od robu obdelovanca.

- Vstavite zeleni rezalnik v orodje.
- Pomaknite vzporedno vodilo skupaj z drogovi na osnovno ploščo ter ga privijte kot je predpisano. mera s krilnimi maticami.

#### Montaža vodilne predloge

##### Slika D

Vodilna predloga je priročno orodje za rezanje.

- Montirajte vodilno predlogo (23) na osnovo rezkarja (3) z vijaki (22).

#### Montaža adapterja odsesovalnika prahu

##### Slika E

Odsesovalnik uporabite za odsesavanje prahu.

Če na stroju ni nameščenega ustreznega adapterja, sledite naslednja navodila.

- Adapter odsesovalnika (24) montirajte z vijaki (22) na rezalnik (3).
- Cev odsesovalnika (25) postavite na odprtino (16).
- Drugi konec cevi vstavite v cev podtlačnega sesalnika (25).



*Odsesavanje uredite tako, da boste imeli dober pregled nad obdelovancem.*

### 4. DELOVANJE

#### Vklop in izklop (sl. B)

- Za vklop, potegnite vzvod za sprostitve veslo stikalo Vyp./Zap. (5) in nato Veslo Off stikalo. (1).
- Za izklop naprave, sprostitve Veslo Off stikalo. (1).

## Nasveti za uporabo

- Po vklopu stroja počakajte, da se slednji začne vrteti s polno hitrostjo in ga šele nato približajte obdelovancu.
- Obdelovanec dobro pripnite in se prepričajte da med rezanjem ne more odpasti.
- Stroj temeljito primite in ga enakomerno pomaknite proti obdelovancu. Ne uporabljate prekomerne sile.
- Uporabljajte le rezalnika, ki ne kažejo nobenih znakov obrabe. Obrabljeni rezalniki negativno vplivajo na učinkovitost delovanja stroja.
- Vedno najprej ugasnite stroj in šele nato odstranite vtikač iz vtičnice.

## Predizbira hitrosti

Ustrezno hitrost lahko nastavite v vrtilnim kolescem. Hitrost vrtenja lahko prilagajate tudi med delovanjem.

1 – 2 = nizka hitrost

3 – 4 = srednja hitrost

5 – 6 = visoka hitrost

Max = maksimalna hitrost

Hitrost obratovanja je odvisna od vrste materiala in jo lahko določite s testiranjem. Dodatno pa nastavki večjega premera delujejo z nižjo hitrostjo.

Materiala	Hitrostne stopnje glede na premer	Nastavek rezkarja
Trd les	>20 mm	1 – 2
	10 – 20 mm	3 – 4
	<10 mm	5 – max
Mehak les	>20 mm	1 – 3
	10 – 20 mm	3 – 6
	<10 mm	5 – max
Aluminij	>15 mm	1
	<15 mm	1 – 2
Plastika	>15 mm	1 – 2
	<15 mm	2 – 3

Po daljšem obdobju delovanja z nizko hitrostjo naj se stroj ohladi, tako da ga nekaj minut pustite delovati z visoko hitrostjo in brez obremenitve.

## Nastavitev višine rezkanja

### Slika F+B

Vzvod za pripenjanje (11) lahko uporabite za nastavitev maksimalne višine rezkanja.

Globina dolbljenja je pri tem fiksna. To je običajno zahtevano pri uporabi orodja s posebno rezkalno mizo.

Prepričajte se, da stolp rezkarja ni zaklenjen.

Rezkar potiskate navzdol s pomočjo vzmetnega mehanizma.

Stolp rezkarja lahko zaklenete z vzvodom.

Tako nastavljen rezkar se ne bo več vračal v prvotni položaj.

## Nastavljanje globine dolbljenja

### Slika F+B

Globino dolbljenja lahko nastavite z gumbi 8, 9, 11 in 15. Pri pravilni nastavitvi lahko izdelate utor z natančnostjo 0,1 mm.

Priprava:

- Vstavite želeni rezalnik v orodje. Rezkar potiskate navzdol s pomočjo vzmetnega mehanizma.
- Orodje potiskajte dol dokler se rezalnik ne dotakne površine obdelovanca, nato za zaklenite z vzvodom (11).
- Sprostite gumb 9.
- Nastavite gumb 15 na nič.
- Za nastavitev globine uporabite gumb 8.
- Privijte gumb 9 (v smeri urinih kazalcev). Globina dolbljenja je nastavljena z natančnostjo 0 mm.

Groba nastavitev:

- Preberite vrednost na skali (12).
- Sprostite gumb 9.
- Obrnite gumb 8 in znova preberite vrednost na skali. Razlika med dvema vrednostma je nastavitev globine dolbljenja. Na primer: če je vrednost na skali (12) 8,5 v nični nastavitvi, po obratu gumba (8) pa je vrednost 7,0, je globina dolbljenja nastavljena na 1,5 cm
- Privijte gumb 9.

Fina nastavitev:

- Sprostite gumb 9.
- Zgornji gumb(15) je še vedno nastavljen na nič. Za cel obraz ga obrnite v nasprotni smeri urinega kazalca, dokler ni zopet v ničnem položaju. Globina dolbljenja tako znaša 1,0 mm manj.
- Če je treba, globino dolbljenja lahko nastavite z natančnostjo do 0,1 mm.

- Privijte gumb 9.  
Sprostite vzvod za pripenjanje (11).

### Nastavljanje z uporabo revolverskega globinskega zaustavjalnika

Revolverski globinski zaustavjalnik vam omogoča, da lahko hitro izbirate med različnimi globinami rezanja. Te lahko določite tudi z nastavitvijo globinskega zaustavjalnika (10). Pri globljem dolbljenju priporočamo, da napravite nekaj postopnih globinskih rezov.

- Ustrezno globino rezanja lahko nastavite z revolverskim globinskim zaustavjalnikom (21).

## 5. VZDRŽEVANJE



*Pri vzdrževalnih delih na motorju se najprej prepričajte, da je stroj odklopljen z vira napajanja.*

Ti stroji so izdelani tako, da omogoča dolgotrajno obratovanje z malo vzdrževanja. Stalna in zadovoljna uporaba je odvisna od pravilne skrbi in rednega čiščenja stroja.

### Čiščenje

Redno čistite okrove orodja z mehko krpo, najbolje po vsaki uporabi. Zagotovite, da bodo prezračevalne reže proste prahu in umazanije. Če slednja noče izpasti, uporabite mehko krpo, navlaženo z vodno milnico.

Nikoli ne uporabljajte raztopin kot so bencin, alkohol, vodna raztopina amoniaka, itd. Slednje lahko poškodujejo plastične dele.

### Odpravljanje napak

Na naslednji strani si lahko ogledate nekaj potencialnih vzrokov in rešitev za odpravo okvar.

#### 1 Stikalo je vklopljeno, motor pa ne deluje

- Električni krogotok je prekinjen
  - *Servisirajte električni krogotok*
- Električni kabli so slabo pritrjeni v vtičač in vtičnico
  - *Servisirajte in preverite vtičnico in vtičač*
- Stikalo je v okviru
  - *Servisirajte stikalo*

#### 2 Rezkar se vrti počasi

- Otopel ali poškodovan rezalnik
  - *Nabrusite ali zamenjajte rezalnik*

- Nastavitev spremenljive hitrosti je nizka
  - *Povečajte spremenljivo hitrost*
- Motor je preobremenjen
  - *Zmanjšajte silo na rezkar*

#### 3 Rezkar ima premočne vibracije

- Otopel rezalnik
  - *Zamenjajte rezalnik*

#### 4 V notranjosti ohišja se iskri

- Ogljikove ščetke so obrabljene
  - *Zamenjajte ogljikove ščetke*

### Motnje

Če pride do napake, npr. po nošenju dela, obvestite naslov servisne službe, ki je napisan na garancijski kartici. V prilogi si lahko ogledate tudi prikaz razstavljenega stroja s predstavitvijo delov, ki jih lahko naročite.

## OKOLJE

Za preprečevanje poškodb stroja med transportom, je slednji zapakiran v čvrsto embalažo. Večino embalažnega materiala lahko reciklirate. Odnosite vse te materiale na ustrezna mesta za reciklažo.



*Neizpravno in/ali odsluženo električno in elektronsko opremo je potrebno odlagati na predpisana zbiralna mesta za reciklažo.*

### Samo za države ES

Električnih orodij ne vrzite stran v domače za smeti. Po Evropski smernici 2012/19/EU za WEEE (Odpadna električna in elektronska oprema) in njeno širitev v narodno pravo, je potrebno električna orodja, ki niso več uporabna, zbrati posebej in se jih znebiti na okolju prijazen način.

## GARANTIE

Posvetujte se s priloženimi pogoji garancije.

**Ta izdelek in ta navodila se lahko spremenijo. Specifikacije se lahko spremenijo brez opozorila.**

## FREZARKA PIONOWA Z RĘCZNYM POSUWEM PRM1015

Dziękujemy za zakup urządzenia firmy Ferm. W ten sposób nabyli Państwo znakomity produkt, opracowany przez jednego z czołowych dostawców w Europie. Wszystkie produkty sprzedawane przez firmę Ferm są produkowane zgodnie z najwyższymi standardami wydajności i bezpieczeństwa. W ramach naszej filozofii oferujemy również znakomity serwis klienta, oparty na wszechstronnej gwarancji. Mamy nadzieję, że urządzenie będzie Państwu doskonale służyć przez wiele lat.



*Dla własnego bezpieczeństwa i bezpieczeństwa innych osób, proszę przeczytać uważnie tę instrukcję przed rozpoczęciem używania narzędzia. Ułatwi to zrozumienie działania produktu i pozwoli uniknąć niepotrzebnego ryzyka. Zachowaj tę instrukcję w bezpiecznym miejscu na przyszłość.*

### Wprowadzenie

Ta frezarka jest przeznaczona do frezowania z ręcznym posuwem drewna i produktów drewnopochodnych. Sprawdź czy urządzenie, niezamocowane części i akcesoria nie uległy uszkodzeniu w transporcie.

### Spis treści

1. Dane techniczne urządzenia
2. Instrukcje bezpieczeństwa
3. Montaż
4. Obsługa
5. Konserwacja

## 1. DANE TECHNICZNE URZĄDZENIA

### Dane techniczne

Napięcie	230 V~
Częstotliwość	50 Hz
Moc	1300 W
Obroty bez obciążenia	9000-30000/min
Głębokość frezowania	60 mm
Tuleja zaciskowa	6 i 8 mm
Ciężar	3,57 kg
Lpa (ciśnienie akustyczne)	87,9+3 dB(A)
Lwa (moc akustyczna)	98,9+3 dB(A)
Drgania - lewy uchwyt	3,509+1.5 m/s <sup>2</sup>
Drgania - prawy uchwyt	2,441+1.5 m/s <sup>2</sup>

### Poziom wibracji

Poziom emisji wibracji podany na końcu tej instrukcji został zmierzony zgodnie z testem standaryzowanym podanym w EN 60745; może służyć do porównania jednego narzędzia z innym i jako ocena wstępna narażenia na wibrację w trakcie używania narzędzia do wymienionych zadań.

- używanie narzędzia do innych zadań, lub z innymi albo źle utrzymanymi akcesoriami, może znacząco zwiększyć poziom narażenia.
- przypadki, kiedy narzędzie jest wyłączone lub jest czynne, ale aktualnie nie wykonuje zadania, mogą znacząco zmniejszyć poziom narażenia.

Należy chronić się przed skutkami wibracji przez konserwację narzędzia i jego akcesoriów, zakładanie rękawic i właściwą organizację pracy.

### Zawartość opakowania

1. Frezarka
1. Prowadnica równoległa
1. Zestaw szczotek węglowych
1. Prowadnica - wzornik
1. Adapter do odprowadzania pyłu
1. Klucz maszynowy
1. Klucz sześciokątny 4 mm
1. Tuleja zaciskowa 8 mm (zamontowana na narzędziu)
1. Tuleja zaciskowa 6 mm
6. Frezów chwytowych
1. Instrukcje bezpieczeństwa
1. Instrukcja obsługi
1. Karta gwarancyjna

### Informacje o urządzeniu

#### Rys. A, B

1. Włącznik
2. Uchwyt
3. Płytką dolną
4. Śruby mocujące równoległej osłony
5. Przycisk blokady przełącznika
6. Nakrętka tulei zaciskowej
7. Blokada wrzeciona
8. Przycisk regulacji głębokości frezowania wgłębnego
9. Śruba motylkowa ogranicznika głębokości
10. Ogranicznik głębokości
11. Dźwignia zaciskowa
12. Podziałka głębokości frezowania
13. Pokrętko regulacji elektronicznej kontroli obrotów

14. Klucz maszynowy
15. Przycisk szczegółowej regulacji głębokości frezowania
16. Zespół odprowadzania pyłu
17. Linia osłony równoległej
18. Oznaczenie punktu zerowego
19. Osłona równoległa
20. Pręt prowadnicy
21. Obrotowy ogranicznik głębokości
22. Śruby
23. Prowadnica - wzornik
24. Adapter odprowadzania pyłu
25. Rura odprowadzania pyłu

## 2. INSTRUKCJE BEZPIECZEŃSTWA

W niniejszej instrukcji obsługi użyto następujących symboli:



*Proszę uważnie przeczytać instrukcję.*



*Ryzyko śmierci i obrażeń ciała oraz ryzyko uszkodzenia narzędzia w przypadku nieprzestrzegania instrukcji dotyczących bezpieczeństwa z tej instrukcji.*



*Ryzyko porażenia prądem.*



*Odłącz wtyczkę z gniazda zasilania.*



*Zmienna regulacja obrotów.*



*Używać ochrony słuchu i oczu.*



*Noś maskę przeciwpyłową.*



*Noś rękawice ochronne.*

### Dodatkowe instrukcje dotyczące bezpieczeństwa

- Sprawdź czy w przedmiotach do obróbki nie występują przeszkody na powierzchni materiału, takie jak wystające gwoździe itp., aby chronić głowicę frezarki.
- Zaczekaj, aż frezarka całkowicie się zatrzyma przed usunięciem zablokowanego lub obrobionego materiału wokół frezu. Użyj do tego długiej listewki. Nigdy nie rób tego palcem!
- Trzymaj ręce z dala od powierzchni frezowania.
- Niezwłocznie wyłącz urządzenie, jeśli zacnie wytwarzać nietypowy dźwięk lub nadmierne wibrować.
- Przed rozpoczęciem pracy, sprawdź czy wszystkie części są dobrze zamocowane, czy wyjęto wszelkie narzędzia itp.



*Zawsze upewnij się, czy napięcie zasilania odpowiada napięciu podanemu na tabliczce znamionowej.*



*Narzędzie ma podwójną izolację, dzięki czemu nie trzeba go uziemiać.*

- Po wymianie niezwłocznie wyrzuc stare przewody i wtyczki. Włożenie do kontaktu wtyczki z odciętym przewodem stwarza duże niebezpieczeństwo.
- Używaj tylko atestowanych kabli przedłużeniowych odpowiednich dla mocy narzędzia. Minimalny rozmiar żyły przewodzącej to 1,5 mm<sup>2</sup>. W przypadku używania zwoju kabla zawsze rozwijaj go całkowicie.



*Przed zamontowaniem akcesorium zawsze odłączaj narzędzie od zasilania.*



*Odczekaj, aż narzędzie całkowicie się zatrzyma i frez ostygnie, zanim rozpoczniesz wymianę frezu.*

## 3. MONTAŻ

### Dobór frezu chwyтового

W zależności od sposobu przetwarzania i określonego zastosowania narzędzi, dostępne są frezy o różnej konstrukcji i różnorodnych właściwościach:

Frezy wykonane ze stali szybko tnącej są

odpowiednie do pracy z miękkimi materiałami, np. miękkim drewnem i tworzywami sztucznymi. Frezy z końcówkami z węglików spiekanych są szczególnie odpowiednie do pracy z materiałami twardymi i ściernymi, np. twardym drewnem i aluminium.

### Montaż i demontaż frezów

#### Rys. C

Stosuj tylko frezy o średnicy wału (trzonka) odpowiedniej dla rozmiaru tulei zaciskowej. Używaj tylko frezów przystosowanych do pracy z maksymalnymi obrotami narzędzia. Średnica frezu nie powinna przekraczać dopuszczalnej średnicy maksymalnej (patrz "Dane techniczne"). Nigdy nie dokręcaj nakrętki tulei, jeśli w tulei nie znajduje się frez; tuleja może ulec uszkodzeniu.

- Wciśnij blokadę wrzeciona (7) i obracaj nakrętką tulei (6), aż do jej zamocowania w blokadzie. Podczas tej czynności trzymaj blokadę wrzeciona wciśniętą.
- Odkręć nakrętkę tulei kluczem (14).
- Włóż wał frezu w tuleję.
- Dokręć nakrętkę tulei, tak aby dobrze unieruchomić frez.
- Odkręć nakrętkę tulei, jeśli chcesz wymienić frez.

### Regulacja liniału równoległej osłony

Osłona równoległa to przydatne narzędzie służące do precyzyjnego frezowania w ustalonej odległości od krawędzi obrabianego przedmiotu.

- Włóż wybrany frez w narzędzie.
- Wsuń prowadnicę równoległą z prętami prowadnicy w płytkę dolną na wybraną odległość używając śrub motylkowych.

### Instalacja prowadnicy - wzornika

#### Rys. D

Prowadnica - wzornik to przydatne narzędzie do frezowania wzorów.

- Zamontuj prowadnicę - wzornik (23) na podstawie frezarki (3) przy pomocy śrub (22).

### Instalacja adaptera do odprowadzania pyłu

#### Rys. E

Adapter do pyłu służy do odprowadzania pyłu. Jeśli adapter nie jest jeszcze zamontowany na narzędziu, postępuj zgodnie z opisem poniżej:

- Przymocuj adapter do odprowadzania pyłu (24) śrubami (22) do spodu frezarki (3).
- Zamocuj rurę do odprowadzania pyłu (25) w wylocie odprowadzania pyłu (16).
- Zamocuj końcówkę rury odkurzacza do rurki do odprowadzania pyłu (25).



Umieść wylot pyłu z narzędzia za narzędziem, aby dobrze widzieć obrabiany przedmiot.

## 4. OBSŁUGA

### Włączanie i wyłączenie (rys. B)

- Aby włączyć urządzenie, naciśnij przycisk blokady-off przycisk (5), a następnie przycisk ON / wyłącznik (1).
- Aby wyłączyć urządzenie, należy zwolnić przycisk on / off przełącznik (1).

### Porady dotyczące użytkowania

- Po włączeniu maszyny, odczekaj aż osiągnie pełne obroty przed jej użyciem do obróbki.
- Zaciśnij obrabiany przedmiot (np. w imadle) i dopilnuj by nie mógł on się wysunąć spod narzędzia podczas frezowania.
- Trzymaj narzędzie mocno i przesuвай je równomiernie nad obrabianym przedmiotem. Nie przeciążaj narzędzia.
- Używaj tylko frezów bez widocznych oznak zużycia. Używanie zużytych frezów ma negatywny wpływ na wydajność narzędzia.
- Zawsze najpierw wyłącz maszynę po pracy przed wyjęciem wtyczki z gniazdka zasilania.

### Wstępny wybór obrotów

Wymagane obroty można wybrać z wyprzedzeniem korzystając z pokrętle. Obroty można również regulować podczas pracy.

- 1 – 2 = niskie obroty
- 3 – 4 = średnie obroty
- 5 – 6 = wysokie obroty
- Max = obroty maksymalne

Wymagane obroty zależą od materiału i można je ustalić w praktyce. Poza tym, frezy o dużej średnicy wymagają niższych obrotów.

Materiał	Średnica frez	Ustawiony stopień obrotów
Drewno twarde	>20 mm	1 – 2
	10 – 20 mm	3 – 4
	<10 mm	5 – maks.

Drewno miękkie	>20 mm	1 – 3
	10 – 20 mm	3 – 6
	<10 mm	5 – maks.
Aluminium	>15 mm	1
	<15 mm	1 – 2
Tworzywo sztuczne	>15 mm	1 – 2
	<15 mm	2 – 3

Po długim okresie pracy z niskimi obrotami, pozwól maszynie ostygnąć uruchamiając ją na kilka minut z wysokimi obrotami bez obciążenia.

### Regulacja wysokości kolumny frezarki

#### Rys. F+B

Dźwignia zaciskowa (11) służy do ustawiania maksymalnej wysokości frezarki.

Po ustawieniu dźwigni głębokość frezowania wgłębnego jest ustalona. Jest to zwykle wymagane podczas używania narzędzia na specjalnym stole do frezarek.

Sprawdź, czy kolumna frezarki nie jest zablokowana.

Frezarkę można docisnąć pokonując siłę sprężyny.

Zablokuj kolumnę frezarki dźwignią zaciskową.

Frezarka jest zablokowana i nie będzie powracać w położenie wyjściowe.

### Regulacja głębokości frezowania wgłębnego

#### Rys. F+B

Głębokość frezowania można ustawić za pomocą pokręteł 8, 9, 11 i 15. Po poprawnym ustawieniu głębokości odpowiedni rowek można frezować z dokładnością do 0,1 mm.

Przygotowanie:

- Włóż wybrany frez w narzędzie.  
Frezarkę można docisnąć pokonując siłę sprężyny.
- Docisnij narzędzie w dół, tak aby frez dotknął obrabianego przedmiotu, po czym zablokuj narzędzie dźwignią zaciskową (11).
- Poluzuj pokrętko 9.
- Ustaw pokrętko 15 na zero.
- Użyj pokrętkła 8 do ustawienia najniższej głębokości.
- Dokręć pokrętko 9 (zgodnie z ruchem wskazówek zegara). Głębokość frezowania jest teraz dokładnie ustawiona na 0 mm.

Regulacja ogólna:

- Odczytaj wartość z podziałki (12).
- Poluzuj pokrętko 9.
- Obracaj pokrętkiem 8 i ponownie odczytaj wartość z podziałki. Różnica pomiędzy dwiema wartościami to ustawiona głębokość frezowania. Na przykład: Jeśli wartość na podziałce (12) w ustawieniu zerowym to 8,5 i wartość zmienia się na 7,0 po obróceniu pokrętkiem (8), głębokość frezowania została ustawiona na 1,5 cm.
- Dokręć pokrętko 9.

Regulacja szczegółowa:

- Poluzuj pokrętko 9.
- Górne pokrętko (15) jest nadal ustawione na zero. Obróć to pokrętko o jeden pełen obrót przeciwnie do ruchu wskazówek zegara, tak by jego tylna część znalazła się w położeniu zerowym. Głębokość frezowania jest teraz mniejsza o 1,0 mm.
- W razie potrzeby, głębokość frezowania można ustawić z dokładnością do 0,1 mm.
- Dokręć pokrętko 9.  
Odblokuj dźwignię zaciskową (11).

### Regulacja z użyciem obrotowego ogranicznika głębokości

Obrotowy ogranicznik głębokości pozwala na szybki wybór pomiędzy trzema różnymi głębokościami frezowania. Te głębokości ustala się również za pomocą regulacji ogranicznika głębokości (10).

Aby uzyskać większą głębokość frezowania, zalecamy kilkakrotne frezowanie z mniejszą głębokością.

- Ustaw żądaną głębokość frezowania obracając obrotowy ogranicznik głębokości (21).

## 5. KONSERWACJA



*Dopilnuj by narzędzie było odłączone od zasilania, zanim zaczniesz przeprowadzanie czynności konserwacyjnych silnika.*

Konstrukcja naszych urządzeń pozwala na ich długotrwałe użytkowanie przy minimalnej ilości prac konserwacyjnych. Nieprzerwana zadowalająca praca zależy od odpowiedniego obchodzenia się z maszyną i regularnego czyszczenia.

## Czyszczenie

Regularnie czyść obudowę maszyny miękką szmatką, najlepiej po każdym użyciu. Szczeliny wentylacyjne należy czyścić z kurzu, pyłu i zabrudzeń. Jeśli brud nie daje się usunąć, użyj miękkiej szmatki zwilżonej wodą z mydłem. Nigdy nie używaj rozpuszczalników, takich jak benzyna, alkohol, woda amoniakalna, itp. Rozpuszczalniki mogą uszkodzić części wykonane z tworzyw sztucznych.

## Rozwiązywanie problemów

Na następnej stronie opisano niektóre potencjalne przyczyny i rozwiązania ewentualnych usterek.

### 1 Włącznik jest włączony, ale silnik nie działa

- Przerwany obwód elektryczny
  - *Zleć naprawę obwodu elektrycznego*
- Przewody wtyczki zasilania lub gniazdka są poluzowane
  - *Zleć kontrolę lub naprawę gniazdka i wtyczki*
- Przełącznik jest uszkodzony
  - *Zleć naprawę przełącznika*

### 2 Frezarka pracuje powoli

- Tępy lub uszkodzony frez
  - *Naostrz lub wymień frez*
- Ustawione wolne obroty
  - *Ustaw wyższe obroty*
- Przeciążenie silnika
  - *Zmniejsz nacisk na frezarkę*

### 3 Nadmierne drgania

- Zgięty trzonek (wał) frezu
  - *Wymień frez*

### 4 Iskry wewnątrz obudowy

- Zużyte szczotki węglowe
  - *Wymień szczotki węglowe*

## Usterki

Jeśli dojdzie do usterki, np. spowodowanej zużyciem części, proszę skontaktować się z punktem o adresie podanym na karcie gwarancyjnej. Do zestawu dołączono widok zespołu rozebranego pokazujący części, jakie można zamówić.

## OCHRONA ŚRODOWISKA

Aby zapobiec uszkodzeniom narzędzia w transporcie, jest ono solidnie opakowane. Większość z materiałów opakowaniowych można poddać recyklingowi. Zanieś te materiały do odpowiedniego punktu zbiórki.



*Zepsute i/lub niepotrzebne urządzenia elektryczne i elektroniczne należy przekazać do punktu recyklingu odpadów.*

### Tylko dla krajów Komisji Europejskiej

Nie wolno wyrzucać elektronarzędzi do domowych śmietników. Zgodnie z Dyrektywą Europejską nr 2012/19/EU dotyczącą Utylizacji Wyposażenia Elektrycznego i Elektronicznego i jej wdrożeniem w krajowe prawo, nieużywane elektronarzędzia należy gromadzić oddzielnie i utylizować w sposób przyjazny dla środowiska.

## GWARANCJA

Warunki gwarancji są podane na oddzielnej karcie gwarancyjnej dołączonej do narzędzia.

**Produkt i podręcznik użytkownika może ulec zmianom. Dane techniczne mogą ulec zmianie bez obowiązku powiadomienia użytkownika.**



## VERTIKALI FREZA PRM1015

Dėkojame, kad įsigijote šį „Ferm“ produktą. Tai yra puikus produktas, kurį teikia Europoje pirmaujantys tiekėjai. Visi pristatomi „Ferm“ produktai gaminami pagal aukščiausius našumo ir saugumo standartus. Laikydami savo principų, taip pat klientams teikiame puikias paslaugas, kurioms suteikiame visišką garantiją. Tikimės, kad mėgausitės naudodami šį produktą daugelį metų.



*Savo pačių ir kitų saugumui prieš pradėdami naudoti šį būtinią prietaisą atidžiai perskaitykite šią instrukciją. Ji padės jums lengviau susipažinti su šiuo gaminiu ir išvengti bereikalingų pavojų. Laikykite šią gaminio naudojimo instrukciją saugioje vietoje, kad ją galima būtų pasinaudoti ateityje.*

### Įvadas

Ši vertikali freza skirta medienai ir medžio gaminiams frezuoti. Patikrinkite, ar gabenimo metu neatsilaisvino ir ar nebuvo pažeistos įrankio dalys ir priedai.

### Turinys

1. Įrenginio specifikacijos
2. Saugos instrukcija
3. Surinkimas
4. Veikimas
5. Techninė priežiūra

## 1. ĮRENGINIO SPECIFIKACIJOS

### Techninės specifikacijos

Įtampa	230 V~
Dažnis	50 Hz
Galingumas	1300 W
Sūkių skaičius	9000-30000/min
Frezavimo gylis	60 mm
Griebtuvas	6 ir 8 mm
Svoris	3,57 kg
Lpa (garso slėgis)	87,9+3 dB(A)
Lwa (garso galia)	98,9+3 dB(A)
Kairės rankenos vibracija	3,509+1.5 m/s <sup>2</sup>
Dešinės rankenos vibracija	2,441+1.5 m/s <sup>2</sup>

### Vibracijos lygis

Vibracijos sklaidos lygis, nurodytas ant šio instrukcijų vadovo užpakalinio viršelio, išmatuotas

pagal standarte EN 60745 išdėstytus standartizuoto bandymo reikalavimus; ši vertė gali būti naudojama vienam įrankiui palyginti su kitu bei išankstiniam vibracijos poveikiui įvertinti, kai įrankis naudojamas paminėtais būdais.

- naudojant įrankį kitokiais būdais arba su kitokiais bei netinkamai prižiūrimais priedais, gali žymiai padidėti poveikio lygis.
- aiktarpiais, kai įrankis išjungtas arba yra įjungtas, tačiau juo nedirbama, gali žymiai sumažėti poveikio lygis.

Apsisaugokite nuo vibracijos poveikio prižiūredami įrankį ir jo priedus, laikydami rankas šiltai ir derindami darbo ciklus su pertraukėlėmis.

### Pakuotės sudėtis

- 1 vertikali freza
- 1 lygiagrečioji kreipiamoji
- 1 anglinių šepetėlių komplektas
- 1 šablono kreipiamoji
- 1 adapteris dulkių trauktuvui prijungti
- 1 atsuktuvus
- 1 4 mm šešiakampis veržliaraktis
- 1 griebtuvas, 8 mm (sumontuotas ant įrenginio)
- 1 griebtuvas, 6 mm
- 6 frezos antgaliai
- 1 saugos instrukcija
- 1 įrankio naudojimo instrukcija
- 1 garantijos kortelė

### Informacija apie gaminį

#### A, B pav.

1. Įjungimo/išjungimo jungiklis
2. Rankena
3. Pagrindo plokštė
4. Montavimo varžtai lygiagrečiam kreiptuvui
5. Jungiklio fiksavimo mygtukas
6. Griebtuvo veržlė
7. Veleno stabdiklis
8. Frezavimo gylio reguliavimo mygtukas
9. Sparnuotoji gylio stabdiklio veržlė
10. Gylio stabdiklis
11. Veržimo svirtis
12. Frezavimo gylio skalė
13. Reguliavimo ratukas elektroniniam sūkių skaičiaus valdymui
14. Atsuktuvus
15. Frezavimo gylio tikslaus reguliavimo mygtukas
16. Dulkių ištraukimo įrenginys
17. Lygiagrečiojo kreiptuvo liniuotė
18. Nulinio taško žymė
19. Lygiagretusis kreiptuvas

- 20. Kreipiamasis strypas
- 21. Gylio stabdiklio būgnas
- 22. Varžtai
- 23. Šablono kreipiamoji
- 24. Dulkių ištraukimo adapteris
- 25. Dulkių ištraukimo vamzdis

## 2. SAUGOS INSTRUKCIJA

Šioje įrenginio naudojimo instrukcijoje naudojami tokie simboliai:



*Atidžiai perskaitykite instrukciją.*



*Pavojus gyvybei ir susižeidimo pavojus bei pavojus sugadinti įrenginį nesilaikant šioje gaminio naudojimo instrukcijoje pateiktų saugos nurodymų.*



*Elektros smūgio pavojus.*



*Ištraukite kištuką iš maitinimo lizdo.*



*Keičiamo greičio kontrolė.*



*Dėvėkite ausų ir akių apsaugas.*



*Dėvėkite respiratorių.*



*Mūvėkite apsaugines pirštines.*

### Papildomi nurodymai dėl saugos

- Patikrinkite ruošinius, ar ant medžiagos paviršiaus nėra jokių kliūčių, pavyzdžiui, išsikišusių vinių ir pan., kad nesugadintumėte frezos galvutės.
- Prieš patraukdami bet kokią paremą ar po disku stumiamą medžiagą, palaukite, kol freza visiškai sustos. Niekada nestumkite ruošinio pirštais, naudokite tik ilgą pagali.

- Rankas laikykite atokiai nuo frezuojamo paviršiaus.
- Jeigu įrankis imtų kelti neįprastą triukšmą arba pradėtų pernelyg vibruoti, nedelsdami išjunkite jį.
- Prieš pradėdami darbą, patikrinkite, ar visas dalys yra pritvirtintos, įrankiai pašalinti ir pan.



*Visuomet patikrinkite, ar tiekiamos elektros energijos įtampa atitinka kategorijos plokštelėje nurodytą įtampą.*



*Šis įrenginys yra dvigubai izoliuotas, todėl jo žeminti nereikia.*

- Pakeitę laidus ar kištukus naujais, senuosius tuoj pat išmeskite. Pavojinga kišti kištuką su kabančiu, neprijungtu laidu į sieninį lizdą.
- Naudokite tik tinkamą ilginimo laidą, kuris atitiktų įrenginio galingumą. Minimalus laido skersmuo – 1,5 mm<sup>2</sup>. Jei naudojate ant ritės susuktą laidą, visuomet iki galo jį išvyniokite.



*Prieš montuodami ant įrankio priedą, visuomet išjunkite įrankį iš elektros tinklo.*



*Prieš pakeisdami diską, palaukite, kol įrenginys visiškai sustos ir diskas atvės.*

## 3. SURINKIMAS

### Frezos antgalio parinkimas

Galima pasirinkti įvairiausių formų ir rūšių frezos antgalius, priklausomai nuo apdirbimo ir kojį darbą reikia atlikti:

Frezos antgaliai, pagaminti iš greitapjūvio plieno (angl. High Speed Steel - HSS), tinkami minkštomis medžiagoms, pvz., medžiui ir plastmasei frezuoti. Frezos antgaliai su karbidu dengtais galais (HM) ypač tinka kietoms ir abrazyvinėms medžiagoms apdirbti, pvz., kietmedžiui ir aliuminiui.

### Diskų uždėjimas ir nuėmimas

#### C pav.

Naudokite tik tuos diskus, kurių veleno angos skersmuo atitinka griebtuvo dydį. Naudokite tik tokius diskus, kurie yra tinkami pagal maksimalų įrenginio sūkių skaičių. Disko skersmuo neturėtų viršyti maksimalaus skersmens (žr. „Techninės specifikacijos“). Niekuomet neužveržkite griebtuvo veržlės, jei griebtuve nėra frezos antgalio; galite sugadinti griebtuvą.

- Paspauskite veleno stabdiklį (7) ir sukite griebtuvo veržlę (6), kol ji užsifiksuos stabdiklyje. Šios procedūros metu laikykite nuspaudę veleno stabdiklį.
- Atsuktuvu atsukite griebtuvo veržlę (14).
- Įdėkite į griebtuką disko veleną.
- Užveržkite griebtuvo veržlę taip, kad diskas būtų tinkamai užfiksuotas.
- Norėdami pakeisti diską, atsukite griebtuvo veržlę.

### Lygiagrečiojo kreiptuvo liniuotės reguliavimas

Lygiagretusis kreiptuvas – patogus įrankis, skirtas tiksliam frezavimui nustatytu atstumu nuo ruošinio krašto.

- Įdėkite į įrankį norimą diską.
- Įdėkite lygiagrečiojo kreiptuvo kreipiamuosius strypus į pagrindo plokštę ir priveržite tinkamoje padėtyje sparnuotomis veržlėmis.

### Šablono kreipiamosios sumontavimas

#### D pav.

Šablono kreipiamoji – paranki priemonė pjaunant pagal šabloną.

- Sumontuokite šablono kreipiamąją (23) ant frezos pagrindo (3), naudodami varžtus (22).

### Adapterio dulkių trauktuvui prijungti sumontavimas

#### E pav.

Dulkėms ištraukti naudokite adapterį dulkių trauktuvui. Jeigu adapteris ant įrenginio būtų nesumontuotas, vadovaukitės šiais nurodymais:

- Sumontuokite adapterį dulkėms ištraukti (24) ant disko apačios (3), naudodami varžtus (22).
- Į dulkių išleidimo angą (16), įdėkite dulkių išleidimo vamzdį (25).
- Prie dulkių išleidimo vamzdžio (25) pritaisykite dulkių siurblio vamzdį.



*Įrenginio dulkių išleidimo anga turi būti už įrenginio, kad būtų gerai matomas ruošinys.*

## 4. VEIKIMAS

### Įjungimas ir išjungimas (pav. B)

- Norėdami įjungti prietaisą, paspauskite užrakto-off mygtuką (5) ir tada paspauskite įjungimo / išjungimo jungiklis (1).
- Norėdami išjungti mašiną, atleiskite įjungimo / išjungimo jungiklis (1).

### Patarimai dėl naudojimo

- Įjungę įrenginį, palaukite, kol jis pasiekia maksimalų sukčių skaičių ir tik tuomet dėkite jį ant ruošinio.
- Įtvirtinkite ruošinį, kad pjaunant jis negalėtų pasislinkti po įrenginiu.
- Tvirtai laikydami įrankį, tolygiai stumkite jį virš ruošinio. Dirbami su šiuo įrankiu, nenaudokite jėgos.
- Naudokite tik tuos diskus, ant kurių nesimato jokių nusidėvėjimo požymių. Nusidėvėję diskai neigiamai veikia įrankio darbo našumą.
- Prieš ištraukdami kištuką iš sieninio lizdo, visuomet pirma išjunkite įrankį.

### Išankstinis greičio parinkimas

Norimą greitį galima iš anksto parinkti sukant diskinį jungiklį. Be to, rotacinį greitį galima pareguliuoti ir įrankiu veikiant.

- 1 – 2 = mažas greitis
- 3 – 4 = vidutinis greitis
- 5 – 6 = didelis greitis
- Max = maksimalus greitis

Tinkamas greitis priklauso nuo apdirbamos medžiagos, jį galima nustatyti atliekant praktinį bandymą. Be to, naudojant didesnio skersmens frezos antgalius, reikia parinkti mažesnį sukimosi greitį.

Medžiaga	Skersmuo frezos antgalis	Greičio padėtys
Kietmedis	>20 mm	1 – 2
	10 – 20 mm	3 – 4
	<10 mm	5 – maks.
Minkšta mediena	>20 mm	1 – 3
	10 – 20 mm	3 – 6
	<10 mm	5 – maks.
Aliuminis	>15 mm	1
	<15 mm	1 – 2
Plastmasė	>15 mm	1 – 2
	<15 mm	2 – 3

Jei ilgai naudojate įrankį parinkę mažą greitį, leiskite jam atvėsti, paleidę jį kelioms minutėms paveikti dideliu greičiu ne apkrovos.

## Frezos kolonėlių aukščio nustatymas **F+B pav.**

Veržimo svirtis (11) naudojama maksimaliam frezos aukščiui nustatyti.

Tuomet užfiksuojamas pjovimo gylis. Paprastai tai būtina, kai įrankis naudojamas ant specialaus frezos stalo.

Įsitikinkite, kad frezos kolonėlė nėra užfiksuota. Frezą galima paspausti, suspaudžiant spyruoklę. Užfiksuokite frezos kolonėlę naudodami veržimo svirtį.

Dabar freza yra užfiksuota ir nebegrįš į pradinę padėtį.

## Pjovimo gylio nustatymas **F+B pav.**

Pjovimo gylį galima nustatyti mygtukais 8, 9, 11 ir 15. Jei pjovimo gylis nustatytas tinkamai, pjaunamas griovelis gali būti frezuojamas tiksliai, su 0,1 mm paklaida.

Paruošimas:

- Įdėkite į įrankį norimą diską. Frezą galima paspausti, suspaudžiant spyruoklę.
- Spauskite įrankį žemyn, kol diskas palies ruošinį, tuomet užfiksuokite jį veržimo svirtimi (11).
- Atleiskite mygtuką 9.
- Nustatykite mygtuką 15 ties nuliu.
- Mygtuku 8 nustatykite visą gylį.
- Priveržkite mygtuką 9 (pagal laikrodžio rodyklę). Dabar pjovimo gylis nustatytas tiksliai ties 0 mm.

Apytikslis nustatymas:

- Pažiūrėkite į ant skalės rodomą dydį (12).
- Atleiskite mygtuką 9.
- Pasukite mygtuką 8 ir vėl patikrinkite skalėje rodomą dydį. Šių dviejų dydžių skirtumas ir yra pjovimo gylio nustatymas. Pavyzdžiui.: Jei skalėje (12) rodoma 8,5 esant nuliniam nustatymui, o, pasukus mygtuką (8) rodoma 7,0, tuomet yra nustatytas 1,5 cm pjovimo gylis.
- Vėl priveržkite mygtuką 9.

Tikslus nustatymas:

- Atleiskite mygtuką 9.
- Viršutinis mygtukas (15) yra vis dar nustatytas ties nuliu. Vieną kartą iki galo pasukite šį mygtuką prieš laikrodžio rodyklę, kol jis vėl bus nulinėje padėtyje. Dabar pjovimo gylis yra 1,0 mm mažesnis.
- Jei reikia, pjovimo gylį galima nustatyti labai tiksliai, su 0,1 mm paklaida.
- Vėl priveržkite mygtuką 9. Atleiskite veržimo svirtį (11).

**Reguliavimas, naudojant būgną-gylio stabdiklį**  
Būgnas-gylio stabdiklis leidžia greitai keisti tris skirtingus pjovimo gylius. Šie gyliai taip pat nustatomi reguliuojant gylio stabdiklio (10) padėtį. Norint gauti didesnį frezavimo gylį, rekomenduojama atlikti keletą kartotinių pjūvių, nustačius mažesnius išpjovimo dydžius.

- Sukdami būgną-gylio stabdiklį (21), nustatykite reikiamą pjovimo gylį.

## 5. TECHNINĖ PRIEŽIŪRA



*Atlikdami variklio techninės priežiūros darbus, įsitikinkite, kad įrankis yra išjungtas iš elektros tinklo.*

Šie įrankiai sukurti taip, kad veiktų ilgai ir jiems reiktų minimalios techninės priežiūros. Nuolatinis, geras įrankio veikimas priklauso nuo tinkamos įrankio priežiūros ir reguliaraus valymo.

### Valymas

Reguliariai nuvalykite įrenginio korpusą minkštu skudurėliu, pageidautina kiekvieną kartą panaudojus įrankį. Saugokite įrankio ventiliacijos angas nuo dulkių ir purvo. Jeigu purvo nuvalyti nepavyktų, nuvalykite jį minkštu skudurėliu, sudrėkintu muiluotame vandenyje. Valymui niekuomet nenaudokite tirpiklių, pavyzdžiui, benzino, alkoholio, amoniako tirpalo ir pan. Šie tirpikliai gali apgadinti plastmasines dalis.

### Gedimų diagnostika

Kitame puslapyje rasite aprašytas kelias galimas gedimų priežastis ir būdus, kaip juos pašalinti.

#### 1 Įjungimo jungiklis įjungtas, bet variklis neveikia

- Pažeista elektros grandinė
  - *Pataisykite elektros grandinę*
- Atsilaisvino elektros lizdo arba kištuko laidai
  - *Patikrinkite arba pakeiskite elektros lizdą ir kištuką*
- Sugedo jungiklis
  - *Pataisykite jungiklį*

#### 2 Freza veikia lėtai

- Atšipo arba apgadintas diskas
  - *Pagaląskite diską arba pakeiskite diską nauju*
- Nustatytas mažas keičiamasis greitis
  - *Padidinkite keičiamąjį greitį*

- Variklio perkrova
  - *Sumažinkite jėgą, kuria stumiate frezą*

### 3 Pernelyg didelė vibracija

- Sulenkta disko jungiamoji dalis
  - *Pakeiskite diską*

### 4 Korpuse kyła žiežirbų

- Nusidėvėję angliniai šepetėliai
  - *Pakeiskite anglinius šepetėlius*

### Gedimai

Jvykus gedimui, pvz., nusidėvėjus kokiai nors daliai, kreipkitės garantijos kortelėje nurodytu adresu. Pridedamas brėžinys su jame pavaizduotomis dalimis, kurias galima užsisakyti.

## APLINKOSAUGA

Siekiant apsaugoti įrenginį nuo apgadinimo vežant, jis pristatomas kietoje pakuotėje. Didžiąją daugumą pakavimo medžiagų galima perdirbti. Atiduokite šias medžiagas į tinkamus perdirbimo punktus.



*Sugedusius ir (arba) išmestinus elektrinius ar elektroninius įrenginius būtina atiduoti į atitinkamus atliekų perdirbimo punktus.*

### Skirta tik EB šalims

Neišmeskite elektros įrankių į buitinių atliekų konteinerius. Remiantis Europos elektros ir elektroninės įrangos atliekų gairių direktyva 2012/19/EU ir jos realizavimu tarptautinėje teisėje, ilgiau nenaudojami elektros įrankiai turi būti surenkami atskirai ir išmetami nežalingu aplinkai būdu.

## GARANTIJA

Garantijos sąlygas galima rasti atskirai pateiktoje garantijos kortelėje.

**Produktas ir naudotojo instrukcijos gali būti pakeistos. Specifikacijos gali būti keičiamos be įspėjimo.**

## FRĖZMAŠINA PRM1015

Paldies, ka iegādājāties šo Ferm izstrādājumu! Tagad jums ir izcilis izstrādājums, ko piegādājis viens no Eiropas vadošajiem piegādātājuzņēmumiem. Visi jums piegādātie Ferm izstrādājumi ir ražoti saskaņā ar augstākajiem kvalitātes un drošības standartiem. Daļa no mūsu filozofijas ir nodrošināt izcilu klientu apkalpošanu, pateicoties mūsu visaptverošai garantijai. Ceram, ka ar prieku izmantosiet šo izstrādājumu vēl daudzus gadus.



*Jūs paša drošībai un citu drošībai lūdzu, uzmanīgi izlasiet šos noteikumus pirms lietojat šo ierīci. Tā palīdzēs jums daudz vieglāk izprast izstrādājumu un novērst nevajadzīgas riska situācijas. Glabājiet šo lietošanas rokasgrāmatu drošā vietā turpmākai lietošanai.*

### Ievads

Šī frēzmašīna paredzēta koksnes un koka izstrādājumu frēzēšanai. Pārbaudiet, vai instruments un tā piederumi pārvadāšanas laikā nav bojāti, kā arī to, vai kāda detaļa nav atvienojusies.

### Saturs

1. Instrumenta tehniskie dati
2. Drošības noteikumi
3. Salikšana
4. Eksploatācija
5. Tehniskā apkope

## 1. INSTRUMENTA TEHNISKIE DATI

### Tehniskie dati

Spriegums	230 V~
Frekvence	50 Hz
Ieejas jauda	1300 W
Ātrums bez noslodzes	9000-30000/min
Frēzēšanas dziļums	60 mm
Ietvars	6 un 8 mm
Svars	3,57 kg
Lpa (skaņas spiediens)	87,9+3 dB(A)
Lwa (skaņas jauda)	98,9+3 dB(A)
Kreisā roktura vibrācija	3,509+1.5 m/s <sup>2</sup>
Labā roktura vibrācija	2,441+1.5 m/s <sup>2</sup>

### Vibrācijas līmenis

Šīs rokasgrāmatas aizmugurē ar zvaigznīti norādītais vibrācijas emisiju līmenis mērīts, izmantojot standartā EN 60745 paredzēto testu; to var izmantot, lai salīdzinātu instrumentus un provizoriski izvērtētu vibrācijas iedarbību, lietojot instrumentu minētajiem mērķiem.

- instrumenta izmantošana citiem mērķiem vai ar citiem vai nepietiekami koptiem piederumiem var ievērojami palielināt iedarbības līmeni.
- laika periodi, kad instruments ir izslēgts vai arī ir ieslēgts, taču ar to nestrādā, var ievērojami samazināt iedarbības līmeni.

Pasargājiet sevi no vibrācijas ietekmes, veicot instrumenta un tā piederumu tehnisko apkopi, gādājot, lai rokas ir siltas, un organizējot darba gaitu.

### Iepakojuma saturs

- 1 Frēzmašīna
- 1 Paralēlais ierobežotājs
- 1 Ogles suku komplekts
- 1 Šablona vadītājs
- 1 Putekļu savākšanas palīgierīce
- 1 Uzgriežņu atslēga
- 1 4 mm sešstūru atslēga
- 1 Ietvars 8 mm (piestiprināts instrumentam)
- 1 Ietvars 6 mm
- 6 Frēzmašīnas uzgali
- 1 Drošības noteikumi
- 1 Eksploatācijas noteikumi
- 1 Garantijas karte

### Informācija par izstrādājumu

#### A, B att.

1. Ieslēgšanas/izslēgšanas slēdzis
2. Rokturis
3. Pamatnes plāksne
4. Stiprinājuma skrūves paralēlam ierobežotājam
5. Slēdža bloķētājs
6. Ietvara uzgrieznis
7. Vārpstas bloķētājs
8. Iegriešanas dziļuma regulēšanas poga
9. Spārnskrūve dziļuma aizturim
10. Dziļuma aizturis
11. Spīlējuma svira
12. Iegriešanas dziļuma skala
13. Elektroniska ātruma regulētāja ripa
14. Uzgriežņu atslēga
15. Iegriešanas dziļuma precīzas noregulēšanas poga

16. Putekļu savākšanas ierīce
17. Paralēlais ierobežotāja lineāls
18. Nulles atzīme
19. Paralēlais ierobežotājs
20. Virzošais stienis
21. Dziļuma aiztura pagriešanas mehānisms
22. Skrūves
23. Šablona sliede
24. Putekļu savākšanas palīgierīce
25. Putekļu caurule

## 2. DROŠĪBAS NOTEIKUMI

Šajās eksploatācijas instrukcijās ir lietoti šādi apzīmējumi:



*Rūpīgi izlasiet noteikumus.*



*Bīstami dzīvībai un ievainojuma risks, kā arī instrumenta bojājuma risks, ja netiek ievēroti šajos eksploatācijas noteikumos minētie drošības noteikumi.*



*Elektriskās strāvas trieciena risks.*



*Atvienojiet kontaktdakšu no elektrotīkla.*



*Ātruma regulēšana.*



*Valkājiet ausu un acu aizsargus.*



*Valkājiet putekļu masku.*



*Valkājiet aizsargcimdus.*

### Papildu drošības noteikumi

- Lai pasargātu frēzmašīnas galviņu, lūdzu, pārbaudiet, vai uz materiāla virsmas nav svešķermeņu, piemēram, iedzītas naglas u.c.
- Pirms iestrēguša vai nofrēzēta materiāla notīrīšanas ap griezni nogaidiet,

līdz frēzmašīna ir pilnībā pārstājusi darboties. Šim nolūkam izmantojiet garu stieni, bet nekad netīriet ar pirkstu.

- Lūdzu, netuviniet rokas frēzēšanas virsmai.
- Ja no instrumenta dzirdama neparasta skaņa vai tas sāk pārmērīgi vibrēt, nekavējoties izslēdziet to.
- Pirms ekspluatācijas pārbaudiet, vai visas detaļas ir cieši piestiprinātas, palīgrīki ir noņemti utt.



*Pārbaudiet, vai elektrotīkla spriegums atbilst kategorijas plāksnītē norādītajam spriegumam.*



*Instrumentam ir dubulta izolācija, tāpēc nav jāizmanto iezemējums.*

- Nekavējoties atbrīvojieties no nolietotiem vadiem vai kontaktakšām, nomainot pret jaunām. Sienas kontaktligzdai pievienojot kontaktdakšu ar bojātu vadu, rodas bīstama situācija.
- Izmantojiet tikai atzītus pagarinājuma vadus, kas atbilst instrumenta ieejas jaudai. Minimālais vadītāja izmērs ir 1,5 mm<sup>2</sup>. Ja lietojat kabeļa rulli, vienmēr notiniet kabeli no tā pilnībā nost.



*Pirms piederuma piestiprināšanas vienmēr atvienojiet instrumentu no elektrotīkla.*



*Pirms griežņa nomainīšanas nogaidiet, līdz instruments ir pilnībā pārstājis darboties un grieznis ir atdzisis.*

### 3. SALIKŠANA

#### Frēzmašīnas uzgaļa izvēle

Atkarībā no apstrādes un darba veida pieejamas visdažādāko formu un kvalitātes frēzmašīnas uzgaļi:

No tērauda, kas piemērots lielum ātrumam (HSS), izgatavoti frēzmašīnas uzgaļi ir piemēroti darbam ar mīkstiem materiāliem, piem., mīkstu koksni un plastmasu;

Ar karbīdu stiegroti frēzmašīnas uzgaļi (HM) ir īpaši piemēroti cietiem un abrazīviem materiāliem, piem., cietai koksnei un alumīnijam.

#### Griežņu uzstādīšana un noņemšana

##### C. att.

Izmantojiet tikai tādus griežņus, kuru ass diametrs atbilst ietvara izmēram. Izmantojiet tikai tādus griežņus, kas piemēroti instrumenta maksimālajam ātrumam. Griežņa diametrs nedrīkst pārsniegt maksimālo diametru (sk. tehniskos datus).

Nedrīkst pievilkt ietvara uzgriezni, ja tajā neatrodas frēzmašīnas uzgalis, jo tādējādi var sabojāt ietvaru.

- Nospiediet vārpstas bloķētāju (7) un grieziet ietvara uzgriezni (6), līdz tas nofiksējas bloķētājā. Šajā laikā turiet vārpstas bloķētāju nospiestu.
- Ar uzgriežņu atslēgu atskrūvējiet ietvara uzgriezni (14).
- Ievietojiet ietvarā frēzmašīnas asi.
- Pievelciet ietvara uzgriezni tā, lai grieznis būtu pienācīgi nofiksēts.
- Ja vēlaties nomainīt griezni, atskrūvējiet ietvara uzgriezni.

#### Paralēlā ierobežotāja lineāla noregulēšana

Paralēlais ierobežotājs ir noderīgs rīks precīzai ēvelēšanai noteiktā attālumā no apstrādājamā materiāla malas.

- Ievietojiet instrumentā vajadzīgo griezni.
- Iebīdīet paralēlo ierobežotāju pamatnē, izmantojot virzošos stieņus, un ar spārnskrūvēm pieskrūvējiet to vajadzīgā attālumā.

#### Šablona sliedes uzstādīšana

##### D. att.

Šablona sliede ir noderīgs rīks šablonu izgriešanai.

- Uzstādiēt šablona sliedi (23) uz frēzmašīnas pamatnes (3), pieskrūvējot ar skrūvēm (22).

#### Putekļu savākšanas palīgierīces uzstādīšana

##### E. att.

Izmantojiet putekļu savākšanas palīgierīci putekļu atsūkņēšanai. Ja tā nav uzstādīta uz instrumenta, ievērojiet šīs norādes:

- Ar skrūvēm (22) pieskrūvējiet putekļu savākšanas palīgierīci (24) pie griežņa pamatnes (3);
- Putekļu cauruli (25) ievietojiet putekļu atverē (16);
- Putekļu caurulei pievienojiet putekļsūcēja cauruli (25).



*Instrumenta putekļu izvades mehānismu novietojiet aiz instrumenta, lai varētu labi pārredzēt apstrādājamo materiālu.*

## 4. EKSPLOATĀCIJA

### Ieslēgšana un izslēgšana (B. att.)

- Lai ieslēgtu instrumentu, nospiediet bloķēšanas pogu (5) uz priekšu un tad nospiediet ieslēgšanas/izslēgšanas slēdzi (1).
- Lai izslēgtu instrumentu, atlaidiet ieslēgšanas/izslēgšanas slēdzi (1).

### Padomi lietošanai

- Ieslēdzot instrumentu, pārbaudiet, vai tā sasniegusi pilnu jaudu, tikai pēc tam sāciet apstrādāt materiālu.
- Piestipriniet apstrādājamo materiālu un pārbaudiet, vai tas slīpēšanas darba laikā neslīdēs.
- Turiet instrumentu cieši un virziet to vienmērīgi pa apstrādājamo materiālu. Nelietojiet instrumentu ar spēku.
- Lietojiet tikai tādus griežņus, kam nav nodiluma pazīmes. Ja griežņi ir nodiluši, instrumenta veiktspēja mazinās.
- Pirms kontaktdakšas atvienošanas no sienas kontaktligzdas vispirms izslēdziet instrumentu.

### Ātruma iestatīšana

Ātrumu var iepriekš iestatīt, izmantojot regulatora ripu. Arī darba laikā iespējams noregulēt citu rotācijas ātrumu.

1 – 2 = mazs ātrums

3 – 4 = vidējs ātrums

5 – 6 = liels ātrums

Max = maksimālais ātrums

Ātrums ir jānoregulē atbilstīgi materiāla veidam, un to var noteikt, izmēģinot uz atgriezuma. Turklāt frēzmašīnas uzgaļiem ar lielu diametru vajadzīgs mazāks rotācijas ātrums.

Materiāls	Diametrs frēzmašīnas uzgalis	Ātruma iestatījums
Cieta koksne	>20 mm	1 – 2
	10 – 20 mm	3 – 4
	<10 mm	5 – max

Miksta koksne	>20 mm	1 – 3
	10 – 20 mm	3 – 6
	<10 mm	5 – max
Alumīnijs	>15 mm	1
	<15 mm	1 – 2
Plastmasa	>15 mm	1 – 2
	<15 mm	2 – 3

Ja instruments ir ilgstoši darbināts ar mazu ātrumu, ļaujiet tam atdzist, dažas minūtes darbinot to lielā ātrumā bez noslodzes.

### Frēzmašīnas vertikālā augstuma iestatījums F+B. att.

Spīlējuma sviru (11) izmanto frēzmašīnas maksimālā augstuma iestatīšanai. Tādējādi iegriešanas dziļums ir nemainīgā augstumā. Tas jo īpaši ir vajadzīgs, ja instrumentu ekspluatējat uz īpaša frēzmašīnas galdā. Frēzmašīnas vertikālā josla nedrīkst būt nofiksēta. Frēzmašīnu var spiest leju, lai iedarbotos atsperes pretspēks. Ar spīlējuma sviras palīdzību nofiksējiet frēzmašīnas vertikālo joslu. Frēzmašīna ir nobloķēta un neatgriežas sākotnējā stāvoklī.

### Iegriešanas dziļuma iestatīšana F+B. att.

Iegriešanas dziļumu var noregulēt ar šādām pogām: 8, 9, 11 un 15. Ja iegriešanas dziļums ir iestatīts pareizi, ierobojumus var veikt ar 0,1 mm precizitāti. Een nauwkeurigheid van minder dan 0,1 mm.

Sagatavošana:

- Ievietojiet instrumentā vajadzīgo griezni. Frēzmašīnu var spiest leju, lai iedarbotos atsperes pretspēks.
- Spiediet instrumentu leju, līdz grieznis pieskaras materiālam, pēc tam nobloķējiet to ar spīlējuma sviru (11).
- Atlaidiet 9. pogu.
- Iestatiet 15. pogu pret nulles atzīmi.
- Ar 8. pogas palīdzību iestatiet dziļumu līdz galam uz leju.
- Pievelciet 9. pogu (pulksteņrādītāja virzienā). Iegriešanas dziļums ir iestatīts precīzi 0 mm.

Rupjas frēzēšanas iestatīšana:

- Nolasiet skalas (12).
- Atlaidiet 9. pogu.
- Pagrieziet 8. pogu un no jauna nolasiet skalas



vērtību. Abu vērtību starpība ir vajadzīgais iegriešanas dziļuma iestatījums. Piemēram, ja skalas (12) vērtība ir 8,5 pie nulles atzīmes, bet pēc pogas (8) pagriešanas vērtība ir 7,0, ir iestatīts 1,5 cm liels iegriešanas dziļums.

- No jauna pievelciet 9. pogu.

Precīza noregulēšana:

- Atlaidiet 9. pogu.
- Augšējā poga (15) joprojām atrodas pret nulles atzīmi. Pagrieziet šo pogu par pilnu apgriezenu pretēji pulksteņrādītāja virzienam, līdz tā atkal atrodas pret nulles atzīmi. Tādējādi iegriešanas dziļums ir par 1,0 mm mazāks.
- Ja vajadzīgs, iegriešanas dziļumu var noregulēt līdz 0,1 mm precizitātei.
- No jauna pievelciet 9. pogu. Atbloķējiet spīlējuma sviru (11).

### Regulēšana ar dziļuma aiztura pagriešanas mehānismu

Ar dziļuma aiztura pagriešanas mehānismu iespējams uzreiz izvēlēties vienu no trim iegriešanas dziļumiem. Arī tos nosaka, noregulējot dziļuma aizturi (10). Lai varētu veikt dziļākus iegriezumus, ieteicams vairākas reizes iegriezt seklākā dziļumā.

- Noregulējiet vajadzīgo iegriešanas dziļumu, pagriežot dziļuma aiztura pagriešanas mehānismu (21).

## 5. TEHNISKĀ APKOPE



*Veicot motora apkopi, pārliecinieties, vai instruments nav pievienots elektrības padevei.*

Šie instrumenti ir paredzēti ilglaicīgam darbam ar mazāko iespējamo apkopi. Nepārtraukti nevainojama darbība ir atkarīga no pareizas instrumenta apkopes un regulāras tīrīšanas.

### Tīrīšana

Ar mīkstu lupatiņu regulāri — ieteicams, pēc katras ekspluatācijas reizes — iztīriet instrumenta korpusu. Regulāri iztīriet putekļus un netīrumus no ventilācijas atverēm. Ja netīrumus nav iespējams notīrīt, lietojiet mīkstu lupatiņu, kas samērcēta ziepjūdenī. Nekad nelietojiet šķīdinātājus, piemēram, benzīnu, spirtu, amonjaka šķīdumu, u.c. Šie šķīdinātāji var sabojāt plastmasas detaļas.

### Problēmu novēršana

Nākamajā lappusē skatiet, lūdzu, dažus iespējamo kļūmju cēloņus un risinājumus.

#### 1 Darbības slēdzis ir ieslēgts, bet motors nedarbojas

- Elektriskā ķēde ir bojāta
  - *Jāsalabo elektriskā ķēde*
- Strāvas vada kontaktdakšas vai ligzdas vadi ir vaļīgi
  - *Jāpārbauda vai jāsalabo ligzda un kontaktdakša*
- Slēdzis ir bojāts
  - *Jāsalabo slēdzis*

#### 2 Frēzmašīna darbojas lēni

- Neass vai bojāts grieznis
  - *Jāuzasina vai jānomaina grieznis*
- Noregulēts pārāk mazs ātrums
  - *Jāpalielina regulējamais ātrums*
- Motora pārslodze
  - *Nespiediet frēzmašīnu ar tik lielu spēku*

#### 3 Pārmērīga vibrācija

- Griezņa ass ir saliekta
  - *Jānomaina grieznis*

#### 4 Dzirksteles korpusā

- Ogles sukuks ir nodilušas
  - *Jānomaina ogles sukuks*

### Bojājumi

Ja rodas kādi bojājumi, piemēram, pēc detaļu nodilšanas, lūdzu, sazinieties ar apkopes centru, kura adrese norādīta garantijas talonā. Šajā rokasgrāmatā redzams izvērsts detaļu saraksts, ko iespējams pasūtīt.

## APKĀRTĒJĀ VIDE

Lai novērstu instrumenta bojājumus pārvadāšanas laikā, to pārvadā cietā iepakojuma materiālā. Lielāko daļu iepakojuma materiālu var otrreizēji pārstrādāt. Nogādājiet šos materiālus piemērotā utilizācijas centrā.



*Bojāta un/vai nolietota elektriskā vai elektroniskā aparātūra jānogādā piemērotā utilizācijas centrā.*

### Tikai EK valstīm

Neatbrīvojieties no elektriskiem instrumentiem, izmetot tos mājturības atkritumos. Saskaņā ar

Eiropas direktīvu 2012/19/EU par elektrisko un elektronisko iekārtu atkritumiem un tās piemērošanu nacionālajās tiesībās, elektriskos instrumentus, kuri vairs nav izmantojami, ir jāsavāc atsevišķi un no tiem jāatbrīvojas videi draudzīgā veidā.

## GARANTIJA

Garantijas nosacījumi ir izklāstīti atsevišķā garantijas kartē, kas pievienota šai rokasgrāmatai.

**Izstrādājums un lietotāja rokasgrāmata var mainīties. Tehniskos datus var mainīt bez iepriekšēja brīdinājuma.**

## FREES PRM1015

Tānāme, et ostsīte selle Fermi toote. Olete teinud hea ostu ning nüüd on teil suurepärane toode ühelt Euroopa juhtivald elektritööriistade tarnijalt. Kõik Fermi tarnitud tooted on valmistatud vastavuses rangeimate toimimis- ja ohutusnõuetega. Lisaks sellele oleme me seadnud endale eesmärgiks pakkuda suurepärast klienditeenindust ja igakülgset garantiid. Me loodame, et tunnete sellest tootest rõõmu ka aastate pärast.



*Teie enda ja teiste ohutuse tagamiseks lugege palun enne seadme kasutamist kasutusjuhend hoolikalt läbi. See aitab teil toodet paremini mõista ja hoiduda ebavajalikest riskidest. Hoidke kasutusjuhend tuleviku tarvis alles.*

### Sissejuhatus

Joonija on mõeldud puidu ja puidutoodete töötlemiseks. Kontrollige masinat, lahtiseid osi ja lisaseadmeid, et ei oleks transpordiga tekkinud kahjustusi.

### Sisukord

1. Masina spetsifikatsioonid
2. Ohutusjuhised
3. Paigaldus
4. Kasutamine
5. Hooldamine

## 1. MASINA SPETSIFIKATSIOONID

### Tehnilised üksikasjad

Pinge	230 V~
Sagedus	50 Hz
Võimsus	1300 W
Pöörded tühikäigul	9000-30000/min
Lõikesügavus	60 mm
Tsang	6 & 8 mm
Kaal	3,57 kg
Lpa (helirõhk)	87,9+3 dB(A)
Lwa (helitugevus)	98,9+3 dB(A)
Vasak vibratsioonikäepide	3,509+1.5 m/s <sup>2</sup>
Parem vibratsioonikäepide	2,441+1.5 m/s <sup>2</sup>

### Vibratsioonitase

Käesoleva juhendi tagakaanel nimetatud tekkiva vibratsiooni tase on mõõdetud vastavalt standardis EN 60745 kirjeldatud standarditud testile; seda võib kasutada ühe tööriista võrdlemiseks teisega ja vibratsiooni mõju esialgseks hindamiseks märgitud rakenduste jaoks kasutatavate tööriistade käitamisel.

- tööriista kasutamine muudeks rakendusteks või teiste/halvasti hooldatud tarvikute kasutamisel võib ekspositsioonitase märkimisväärselt suurened.
- ajal, kui tööriist on väljalülitatud või on küll sisselülitatud, kuid tegelikult seda ei kasutata, võib ekspositsioonitase märkimisväärselt väheneda.

Kaitske ennast vibratsiooni toime eest, hooldades tööriista ja selle tarvikuid, hoides oma käed soojad ja organiseerides hästi oma töövõtteid.

### Karbi sisu

- 1 Frees
- 1 Paraleeljuhik
- 1 Komplekt süsinikharjaseid
- 1 šabloonijuhik
- 1 Tolmueemaldi adapter
- 1 Reguleerijar
- 1 4 mm kuuskantvõti
- 1 Tsang 8 mm (masina küljes)
- 1 Tsang 6 mm
- 6 Freesiotsikud
- 1 Ohutusjuhised
- 1 Kasutusjuhend
- 1 Garantiikaart

### Toote informatsioon

#### Joon. A, B

1. Sisse-,väljalülitamisüliti
2. Käepide
3. Põhjaplaat
4. Paralleeljuhiku kinnituskruvid
5. Lüliti lukustusnupp
6. Tsangi mutter
7. Spindililukk
8. Lõikesügavuse reguleerimisnupp
9. Liblikpolt sügavuse seadmiseks
10. Sügavuse stopper
11. Kinnituskang
12. Sügavuse skaala
13. Elektroonilise kiirusregulaatori nupp
14. Reguleerijar
15. Sügavuse peenhäälestuse nupp

16. Tolmueemaldi
17. Paraleelpiiriku joonlaud
18. Nullmärk
19. Paralleelpiirik
20. Juhikpulk
21. Sügavuse seadistus
22. Poldid
23. Šablooni juhik
24. Tolmuadapter
25. Tolmutoru

## 2. OHUTUSJUHISED

Juhises kasutatakse järgnevaid sümboleid:



*Lugege kasutusjuhiseid hoolikalt.*



*Elu- ja vigastusohut ning masina vigastamise oht, kui ei järgita ohutusjuhiseid.*



*Elektrilöögi oht.*



*Eemaldage masin vooluvõrgust.*



*Varieeruv kiiruse reguleerija.*



*Kandke kõrva ja silmadekaitset.*



*Kandke tolumumaski.*



*Kandke kaitsekindaid.*

### Lisaohutusjuhised

- Freesi pea kaitsmiseks kontrollige detail üle, et ei oleks segavaid naelu vms.
- Oodake, kuni frees on täielikult peatunud, enne otsiku juurest kinnikiilunud või üleliigse materjali eemaldamist. Kasutage selleks pikka pulka, mitte kunagi sõrme.

- Palun hoidke käed lõikealast eemale.
- Kui tööriist hakkab ebatavalist häält tegema või liigselt vibreerima, lülitage ta kohe välja.
- Enne kasutamist kontrollige, et kõik osad on kinni ja reguleerimistööriistad on eemaldatud jne.



*Alati kontrollige, et toiteallka pinge vastaks pingele plaadil.*



*Masin on topeltisolatsiooniga, seetõttu ei ole vaja maanduskaablit.*

- Koheselt visake vanad kaablid ja pistikud minema, kui nad on asendatud uutega. On ohtlik sisestada lahtise kaabliga pistikut seinast.
- Kasutage ainult volitatud pikenduskaablit mis sobib masina sisendvõimsusega. Minimaalne juhi ristlõike suurus on 1.5 mm<sup>2</sup>. Kasutades kaablirolliga pikendust, rullige kaabel täielikult lahti.



*Lisaseadmeid paigaldades, eemaldage alati pistik seinast.*



*Enne otsiku vahetamist oodake kuni masin on täielikult peatunud ja otsik maha jahtunud.*

### 3. PAIGALDUS

#### Freesiotsiku valik

Sõltuvalt materjalist ja töö eripärast on võimalik valida mitmete erinevate otsikute vahel: Kõrge töökiirusega terasest otsikud (HSS) on sobivad pehmete materjalidega töötamiseks, nt. pehme puit ja plastik.

Süsinikotsaga otsikud

(HM) on eriti sobivad kõvade ja abrasiivsete materjalide puhul, nt. kõva puit ja alumiinium.

#### Freeside paigaldamine ja eemaldamine

##### Joon. C

Kasutage vaid otsikuid, mille läbimõõt vastab tsangi omale. Kasutage vaid masina maksimumkiirusega sobivaid otsikuid. Otsiku diameeter ei tohiks ületada maksimaalselt lubatud (vt 'Tehnilised spetsifikatsioonid').

Ärge kunagi keerake tsangi mutrit kinni, kui tsangis pole otsikut; tsang võib kahjustuda.

- Vajutage võllilukustust (7) ja keerake tsangi mutrit (6) seni, kuni lukk haakub. Hoidke spindli lukku all kogu selle protsessi vältel.

- Avage tsangi mutter mutrivõtmeega (14).
- Paigaldage frees tsangi.
- Keerake tsangi mutter nii kinni, et frees on korralikult kinni.
- Freesi vahetamiseks keerake tsangi mutter lahti.

#### Paralleeljuhiku joonlaua seadmine

Paralleeljuhik on kasulik täpse freesimise puhul, kui on vaja soont fikseeritud kaugusel detaili servast.

- Asetage soovitud frees tööriista.
- Libistage paralleeljuhik juhikpulkade abil põhjaplaadi külge ja kinnitage soovitud kaugusele liblikpoltide abil.

#### Šabloonijuhiku paigaldamine

##### Joon. D

Šabloonijuhik on abiks mustrit lõikamisel.

- Paigaldage šabloonijuhik (23) põhjaplaadi külge (3) kruvidega (22).

#### Tolmueemaldi adapteri paigaldamine

##### Joon. E

Kasutage tolmuadapterit tolmu eemaldamiseks. Juhul, kui adapter pole masina küljes, kaituge järgnevalt:

- Paigaldage tolmuadapter (24) poltidega (22) freesi talla külge (3).
- Paigaldage tolmutoru (25) otsikusse (16).
- Asetage tolmuimeja toru tolmutorusse (25).



*Detaili hea nägemise tarvis hoidke väljund masina taga.*

### 4. KASUTAMINE

#### Sisse- ja väljalülitamine (joonis. B)

- Et vahetada masin, vajuta lukustuse nuppu (5) ja seejärel vajutage sisse / off lüliti (1).
- Et masin välja lülitada, vabastage Sisse / välja switch (1).

#### Kasutusnippid

- Peale masina sisselülitamist oodake enne detailini langetamist, kuni masin on täiskiruse saavutanud.
- Fikseerige tööpind ja veenduge, et tööpind ei saaks libides masina alt lõikamisel.
- Hoidke masinat kindlalt ja liigutage see ühtlaselt üle detaili. Ärge koormake masinat üle.
- Kasutage ainult otsikuid, mis ei ole liigselt kulunud. Kulunud otsikutel on masina

efektiivsusele negatiivne mõju.

- Alati lülitage masin välja enne pistiku seinast eemaldamist.

### Kiiruse eelvalik

Soovitud kiirust on võimalik valida pöidla all oleva rattaga. Pöörlemiskiirust saab seadistada ka töötamise ajal.

1 – 2 = madal kiirus  
3 – 4 = keskmine kiirus  
5 – 6 = suur kiirus  
Max = maksimaalne kiirus

Vajalik kiirus sõltub materjalist ja selle saab kindlaks teha proovides. Suurema diameetriga freesid nõuavad väiksemat pöörlemiskiirust.

Materjal	Diameeter otsik	Kiirusvalikud
Kõva puit	>20 mm	1 – 2
	10 – 20 mm	3 – 4
	<10 mm	5 – max
Pehme puit	>20 mm	1 – 3
	10 – 20 mm	3 – 6
	<10 mm	5 – max
Alumiinium	>15 mm	1
	<15 mm	1 – 2
Plastik	>15 mm	1 – 2
	<15 mm	2 – 3

Peale pikaaegset madalal kiirusel töötamist laske masinal jahtuda, käiades seda paar minutit suurel kiirusel ja ilma koormuseta.

### Freesi kõrguse seadistamine

#### Joonis F+B

Kinnituskangi (11) kasutatakse freesi suurima kõrguse seadmiseks.

Seejärel on sügavus fikseeritud. Seda on vaja tavaliselt juhul, kui kasutatakse tööriista spetsiaalsel freesimislaual.

Veenduge, et freesisammas pole lukustatud.

Freesi saab vedrupingele vastu alla lükata.

Lukustage freesisammas kinnituskangiga.

Frees on nüüd lukustatud ja ei liigu tagasi algasendisse.

### Lõikesügavuse seadistamine

#### Joonis F+B

Lõikesügavust saab seadistada nuppe 8, 9, 11 ja 15 kasutades. Kui lõikesügavus on korrektselt

seadistatud, on lõigatav soon 0,1mm sügavustäpsusega.

Ettevalmistus:

- Asetage soovitud frees tööriista.
- Freesi saab vedrupingele vastu alla lükata.
- Lükake tööriista alla, kuni frees puudutab detaili, seejärel lukustage kinnituskang (11).
- Vabastage nupp 9.
- Seadke nupp 15 nullile.
- Kasutage nuppu 8 alumise sügavuse seadistamiseks.
- Kinnitage nupp 9 (päripäeva). Lõikesügavus on nüüd seadistatud täpselt 0 mm peale.

Robustne seadistus:

- Lugege skaalalt väärtus (12).
- Vabastage nupp 9.
- Keerake nuppu 8 ja lugege uuesti skaalalt väärtus. Nende kahe väärtuse vahe ongi lõikesügavus. Näiteks: Kui väärtus skaalal (12) on 8.5 0-seadistuses ja väärtus on 7.0 peale nupu (8) keeramist, on lõikesügavus 1,5 cm.
- Kinnitage uuesti nupp 9.

Peenseadistus:

- Vabastage nupp 9.
- Ülemine nupp (15) on jätkuvalt nullasendis. Keerake nuppu üks pööre vastupäeva, kuni see on uuesti nullasendis. Lõikesügavus on nüüd 1.0 mm võrra väiksem.
- Soovi korral on lõikesügavust võimalik seadistada kuni 0.1mm täpsusega.
- Kinnitage uuesti nupp 9. Keerake lukustuskanng (11) lahti.

### Pööratava sügavusseadistuse nupuga reguleerimine

Pööratav sügavusseadistuse nupp võimaldab kiiresti valida kolme erineva lõikesügavuse vahel. Neid saab seadistada ka sügavuspööriku (10) seadistamisega.

Suuremate lõikesügavuste jaoks on soovitatav sügavus saavutada järkjärgult.

- Seadistage soovitatav lõikesügavus pöördnuppu keerates (21).

## 5. HOOLDUS



Veenduge, et mootor ei tööta, kui teete masinal hooldustöid.

See masin on mõeldud pikaks aja töötamiseks minimaalse hooldusega. Masina pidev rahuldust andev töö sõltub korralikust masinahooldusest ja regulaarsest hooldusest.

### Puhastamine

Puhastage masina kesta regulaarselt puhta riidega, soovitatavalt peale iga kasutuskorda. Hoidke ventilatsioonivad puhtad tolmust ja mustusest. Kui mustus ei peaks maha tulema, kasutage puhast riiet, mis on niisutatud seebiveega. Ärge kunagi kasutage lahusteid (bensiin, alkohol, amoniaakveed jne). Need võivad kahjustada plastikosi.

### Rikked

Järgmisel lehel leiate mõned võimalikud veapõhjused ja -lahendused.

#### 1 Lüliti on sisse lülitatud, kuid mootor ei tööta

- Vooluring on rikutud
  - *Laske vooluring parandada*
- Pistikus või pistikupesas on juhtmed lahti
  - *Laske pistik või pistikupesa üle kontrollida või remontida*
- Lüliti on vigane
  - *Laske lüliti parandada*

#### 2 Frees käib aeglaselt

- Nüri või vigastatud freesiotsik
  - *Teritage või vahetage frees*
- Kiirus on seatud aeglaseks
  - *Tõstke kiirust*
- Mootori ülekoormus
  - *Vähendage freeses lükkamise jõudu*

#### 3 Liigne vibratsioon

- Kõver freesiotsik
  - *Vahetage freesiotsik*

#### 4 Sädemed korpuses

- Süsinikharjased on kulunud.
  - *Vahetage süsinikharjased.*

### Rikked

Vea korral, näiteks osa kulumisel võtke ühendust garantiikaardil toodud aadresssil.

Kasutusjuhendist leiate ka tellitavate osadega detailjoonise.

## KESKKOND

Masina kaitsmiseks transpordil tarnitakse see tugevas pakendis. Enamikku pakkematerjalidest saab taaskasutada. Viige need materjalid vastavatesse kogumispunktidesse.



*Vigased ja/või kasutamiskõlbmatud elektrilised aparaadid tuleb koguda selleks ettenähtud ümbertöötlemiskohtadesse.*

### Euroopa Ühenduse riigid

Ärge visake elektritööriistu olmeprügi hulka. Vastavalt Euroopa Parlamendi ja nõukogu direktiivile 2012/19/EU elektri- ja elektroonikaseadmete jäätmete kohta ning vastavalt seda direktiivi rakendavatele riiklikele õigusaktidele tuleb kasutuskõlbmatud elektritööriistad koguda teistest jäätmetest eraldi ning kõrvaldada kasutusest keskkonnasõbralikul viisil.

## GARANTII

Garantii tingimused võib leida eraldi kõrvalolevalt garantiikaardilt.

**Toodet ja kasutusjuhendit võidakse muuta. Spetsifikatsioon võidakse muuta ilma eelneva etteteatamiseta.**

## FREZĂ PRM1015

Vă mulțumim pentru cumpărarea acestui produs Ferm. Ați achiziționat un produs excelent, fabricat de unul dintre principalii producători din Europa. Toate produsele livrate de Ferm sunt fabricate respectând cele mai înalte standarde de funcționare și de siguranță. De asemenea, asigurăm servicii de asistență excelente și o garanție cuprinzătoare. Sperăm să utilizați cu plăcere acest produs în anii ce urmează.



*Pentru propria dumneavoastră siguranță și pentru siguranța celorlalți, vă rugăm să citiți cu atenție aceste instrucțiuni, înainte de folosirea aparatului. Vă va ajuta să înțelegeți mai bine produsul dumneavoastră și să evitați riscurile inutile. Păstrați acest manual într-un loc sigur pentru utilizarea viitoare.*

### Introducere

Freza a fost realizată pentru frezarea lemnului și a produselor din lemn. Verificați dacă aparatul, componentele separate și accesoriile nu au fost deteriorate în timpul transportului.

### Cuprins

1. Specificațiile aparatului
2. Instrucțiuni privind siguranța
3. Asamblare
4. Utilizarea
5. Întreținerea

## 1. SPECIFICAȚIILE APARATULUI

### Specificațiile tehnice

Tensiunea	230 V~
Frecvență	50 Hz
Putere consumată	1300 W
Turație fără sarcină	9000-30000/min
Adâncimea de tăiere	60 mm
Mandrină	6 & 8 mm
Greutatea	3,57 kg
Lpa (presiune acustică)	87,9+3 dB(A)
Lwa (putere acustică)	98.9+3 dB(A)
Vibrații mânerul stâng	3,509+1.5 m/s <sup>2</sup>
Vibrații mânerul drept	2,441+1.5 m/s <sup>2</sup>

### Nivelul vibrațiilor

Nivelul emisiilor de vibrații menționat pe spatele acestui manual de instrucțiuni a fost măsurat în conformitate cu un test standardizat precizat în EN 60745; poate fi folosit pentru a compara o sculă cu alta și ca evaluare preliminară a expunerii la vibrații atunci când folosiți scula pentru aplicațiile menționate.

- utilizarea sculei pentru aplicații diferite sau cu accesorii diferite și prost întreținute poate crește semnificativ nivelul de expunere.
- momentele în care scula este oprită sau când funcționează dar nu execută nicio lucrare, pot reduce semnificativ nivelul de expunere.

Protejați-vă împotriva efectelor vibrațiilor prin întreținerea sculei și a accesoriilor sale, păstrând mâinile calde și organizând procesele de lucru.

### Conținutul pachetului

- 1 Freză
- 1 Ghidaj paralel
- 1 Set perii carbon
- 1 Ghidaj șablon
- 1 Adaptor pentru extragerea prafului
- 1 Cheie
- 1 Cheie Hex 4mm
- 1 Mandrină 8mm (asamblată pe aparat)
- 1 Mandrină 6mm
- 6 Scule de frezare
- 1 Instrucțiuni privind siguranța
- 1 Instrucțiuni de utilizare
- 1 Certificat de garanție

### Informații despre produs

#### Fig. A, B

1. Comutator Pornit/Oprit
2. Mâner
3. Talpă
4. Șuruburi de fixare pentru ghidajul paralel
5. Buton blocaj comutator
6. Piuliță mandrină
7. Blocaj ax
8. Buton de reglare a profunzimii
9. Șurub fluture pentru oprirea profunzimii
10. Oprit de profunzime
11. Mâner de prindere
12. Riglă pentru profunzime
13. Disc de reglare pentru controlul electronic al turației
14. Cheie
15. Buton de reglare fină a profunzimii
16. Dispozitiv pentru extragerea prafului

17. Riglă pentru ghidajul paralel
18. Marcaj zero
19. Ghidaj paralel
20. Tijă ghidaj
21. Revolver de oprire pentru profunzime
22. Șuruburi
23. Ghidaj șablon
24. Adaptor pentru praf
25. Tub pentru praf

## 2. INSTRUCȚIUNI PRIVIND SIGURANȚA

În cadrul acestor instrucțiuni de utilizare sunt folosite următoarele simboluri:



*Citiți instrucțiunile cu atenție.*



*Pericol de moarte, rănire sau de defectare a aparatului în cazul nerespecării instrucțiunilor de siguranță din aceste instrucțiuni de utilizare.*



*Pericol de electrocutare.*



*Scoateți ștecherul din priză.*



*Control variabil al turației.*



*Purtați protecții pentru ochi și urechi.*



*Purtați o mască pentru praf.*



*Purtați ochelari de protecție.*

### Instrucțiuni suplimentare privind siguranța

- Vă rugăm să verificați piesele de lucru pentru obstrucționări la suprafața materialului, precum cuie etc., pentru a proteja capul frezei.
- Așteptați până când freza s-a oprit complet, înainte de a scoate orice material blocat sau prins în jurul tăietorului. Pentru aceasta nu folosiți degetele, ci o bucată lungă de lemn.
- Vă rugăm să vă țineți mâinile la distanță față de suprafața de frezare.

- Oprțiți imediat unealta dacă începe să producă orice zgomot anormal sau începe să vibreze excesiv.
- Vă rugăm să verificați dacă toate piesele sunt fixate, unelele sunt îndepărtate etc. înainte de utilizare.



*Verificați dacă parametrii rețelei de alimentare corespund tensiunii de pe plăcuța de identificare.*



*Aparatul are o dublă izolație, astfel nu este necesară împământarea.*

- Aruncați imediat la deșeuri cablurile sau ștecherile vechi după înlocuirea acestora cu unele noi. Introducerea în priză a ștecherului unui cablu slăbit este periculoasă.
- Folosiți numai un cablu prelungitor adecvat puterii aparatului. Dimensiunea minimă a conductorului este de 1,5 mm<sup>2</sup>. Când utilizați o rolă de cablu, desfășurați-o complet.



*Scoateți aparatul din priză de fiecare dată când montați un accesoriu.*



*Așteptați până când aparatul s-a oprit complet, iar tăietorul s-a răcit, înainte de înlocuirea unui tăietor.*

## 3. ASAMBLARE

### Alegerea sculei de frezare

În funcție de proces și aplicație, sculele de frezare sunt disponibile în diferite forme și calități: Sculele de frezare realizate din oțel de turaj mare (HSS) sunt adecvate pentru lucrul în materiale moi, ex. lemn moale și plastic. Scule de frezare cu vârf de carbură (HM) sunt adecvate în special pentru materialele dure și abrazive, ex. lemn dur și aluminiu.

### Montarea și demontarea tăietoarelor

#### Fig. C

Folosiți doar tăietoare cu un diametru al axului care corespunde cu dimensiunea mandrinei. Folosiți doar tăietoare care sunt adecvate pentru turația maximă a aparatului. Diametrul tăietorului nu trebuie să depășească diametrul maxim (consultați „Specificații tehnice”). Nu strângeți niciodată piulița pentru mandrină, dacă nu este nicio sculă de frezare în mandrină; mandrina se poate defecta.



- Apăsați blocajul pentru ax (7) și rotiți piulița pentru mandrină (6) până este prinsă în blocaj. Țineți blocajul pentru ax apăsat în timpul acestei proceduri.
- Deschideți pulița pentru mandrină prin folosirea cheii (14).
- Puneți axul tăietorului în mandrină.
- Strângeți piulița mandrinei, astfel încât tăietorul să fie bine prins.
- Deschideți piulița mandrinei când doriți să înlocuiți un tăietor.

### Reglarea riglei pentru ghidajul paralel

Ghidajul paralel este o unealtă utilă pentru frezarea de precizie la o distanță fixă față de muchia piesei de lucru.

- Puneți tăietorul dorit în unealtă.
- Glisați ghidajul paralel cu tije de ghidaj în placa de bază și strângeți la măsura dorită cu șuruburile fluture.

### Montarea ghidajului șablon

#### Fig. D

Ghidajul șablon este un ajutor la îndemână pentru tăierea unui șablon.

- Montați ghidajul șablon (23) în baza frezei (3) folosind șuruburile (22).

### Montarea adaptorului pentru extragerea prafului

#### Fig. E

Folosiți adaptorul de extragere a prafului pentru extragerea prafului. În cazul în care adaptorul nu este montat pe aparat, urmați aceste instrucțiuni:

- Montați adaptorul pentru praf (24) cu șuruburile (22) la baza tăietorului (3).
- Puneți tubul pentru praf (25) la ieșirea pentru praf (16).
- Puneți tubul aspiratorului la tubul pentru praf (25).



*Păstrați ieșirea în spatele aparatului, pentru o vedere bună a piesei de lucru.*

- Pentru a opri mașina, eliberați comutatorul de pornire/oprire (1).

### Sfaturi pentru utilizare

- După pornirea aparatului, asigurați-vă că ajunge la turația maximă înainte de a-l folosi pe piesa de lucru.
- Prindeți piesa de lucru și asigurați-vă că nu se poate mișca sub aparat în timpul activităților de tăiere.
- Țineți bine aparatul și mișcați-l ușor pe piesa de lucru. Nu forțați unealta.
- Folosiți doar tăietoare care nu au semne vizibile de uzură. Tăietoarele uzate pot avea un efect negativ asupra eficienței mașinii.
- Opriti aparatul înainte de a-l deconecta de la priză.

### Preselecția turației

Turația necesară poate fi preselectată de la butonul de reglare. De asemenea, turația poate fi reglată în timpul utilizării.

1 – 2 = turație redusă

3 – 4 = turație medie

5 – 6 = turație mare

Max = turație maximă

Turația necesară depinde de material și poate fi determinată prin teste practice. Mai mult, sculele de frezare cu un diametru mare necesită o turație scăzută.

Material	Diametru sculă de frezare	Nivelurile de turație
Lemn dur	>20 mm	1 – 2
	10 – 20 mm	3 – 4
	<10 mm	5 – max
Lemn moale	>20 mm	1 – 3
	10 – 20 mm	3 – 6
	<10 mm	5 – max
Aluminiu	>15 mm	1
	<15 mm	1 – 2
Plastic	>15 mm	1 – 2
	<15 mm	2 – 3

## 4. UTILIZAREA

### Pornirea și oprirea (fig. B)

- Pentru a porni mașina, apăsați butonul de deblocare (5) din partea din față și apoi apăsați comutatorul de pornire/oprire (1).

După perioade prelungite de lucru la turație redusă, lăsați aparatul să se răcească, prin utilizarea pentru câteva minute la turație mare fără sarcină.

## Reglarea în înălțime a coloanei de frezare

### Fig. F+B

Mânerul de prindere (11) este folosit pentru reglarea înălțimii maxime a frezei. Profunzimea este fixată apoi. Aceasta este necesară de obicei la folosirea unelei cu o masă specială de frezare. Asigurați-vă că coloana de frezare nu este blocată. Freza poate fi apăsată contra forței arcului. Blocați coloana de frezare prin folosirea mânerului de prindere. Freza este acum blocată și nu mai poate reveni la poziția originală.

## Reglarea profunzimii

### Fig. F+B

Profunzimea poate fi reglată prin folosirea butoanelor 8, 9, 11 și 15. Dacă profunzimea este reglată corect, canelura poate fi frezată cu o acuratețe de 0,1 mm.

Pregătirea:

- Puneți tăietorul dorit în unealtă.  
Freza poate fi apăsată contra forței arcului.
- Apăsați unealta până când tăietorul intră în contact cu piesa de lucru, apoi blocați prin folosirea mânerului de prindere (11).
- Slăbiți butonul 9.
- Reglați butonul 15 la zero.
- Folosiți butonul 8 pentru a regla profunzimea în jos.
- Strângeți butonul 9 (spre dreapta).  
Profunzimea este reglată acum la o precizie de 0 mm.

Reglaj brut:

- Citiți valoarea de pe riglă (12).
- Slăbiți butonul 9.
- Rotiți butonul 8 și citiți iar valoarea de pe riglă.  
Diferența dintre cele două este reglajul profunzimii. Spre exemplu: Dacă valoarea de pe riglă (12) este 8,5 la setarea zero, iar valoarea este 7.0 după ce butonul (8) a fost rotit, atunci profunzimea a fost reglată la 1,5 cm.
- Strângeți butonul 9.

Reglajul fin:

- Slăbiți butonul 9.
- Butonul superior (15) este încă reglat la zero.  
Rotiți în întregime acest buton spre stânga, până când este dincolo de poziția zero.  
Profunzimea este acum cu 1,0 mm mai mică.
- Dacă este necesar, profunzimea poate fi reglată cu o acuratețe de 0,1 mm.
- Strângeți butonul 9.  
Deblocați mânerul de prindere (11).

## Reglarea prin folosirea blocajului revolver pentru adâncime

Blocajul revolver pentru adâncime face posibilă alegerea între trei tipuri diferite ale adâncimii de tăiere.

Acestea sunt determinate de asemenea prin reglarea blocajului de adâncime (10). Pentru adâncimi mari de frezare, este recomandată efectuarea unor tăieri repetate la rate mici.

- Reglați adâncimea necesară de tăiere prin rotirea blocajului revolver pentru adâncime (21).

## 5. ÎNTREȚINEREA



*Asigurați-vă că aparatul nu este conectat la priză când efectuați lucrări de întreținere.*

Acest aparat a fost proiectat pentru a funcționa perioade lungi de timp cu un minim de întreținere. Funcționarea corectă pe perioade lungi de timp depinde de îngrijirea corectă și curățarea regulată a aparatului.

### Curățare

Curățați regulat carcasa aparatului folosind o cârpă moale, preferabil după fiecare utilizare. Nu permiteți acumularea prafului și murdăriei în orificiile de ventilare. Dacă murdăria nu se curăță, folosiți o cârpă fină îmbibată în apă cu săpun. Nu folosiți niciodată solvenți precum benzină, alcool, hidroxid de amoniu etc. Acești solvenți pot deteriora părțile de plastic.

### Remediarea problemelor

Pe pagina următoare puteți găsi anumite cauze potențiale și soluțiile la problemele posibile.

#### 1 Comutatorul de operare este pornit, dar motorul nu funcționează

- Circuitul electric este întrerupt
  - *Reparați circuitul electric*
- Firele din ștecher sau priză sunt slăbite
  - *Verificați sau reparați priza și ștecherul*
- Comutatorul este defect
  - *Reparați comutatorul*

#### 2 Freza funcționează încet

- Tăietorul este tocit sau deteriorat
  - *Ascuțiți sau înlocuiți tăietorul*

- Turația variabilă are un reglaj prea mic
  - *Creșteți turația variabilă*
- Motorul este suprasolicitat
  - *Reduceți forța de apăsare pe freză*

### 3 Vibrații excesive

- Axul tăietorului este curbat
  - *Înlocuiți tăietorul*

### 4 Scântei în interiorul carcasei

- Perile de carbon sunt uzate
  - *Înlocuiți perile de carbon*

### Defecțiuni

În cazul apariției unei defecțiuni, e.g. uzarea unei piese, contactați furnizorul de service specificat în certificatul de garanție. Alături puteți găsi o vedere extinsă a pieselor care pot fi comandate.

## MEDIU

Pentru a preveni defectarea unelei în timpul transportului, este furnizată într-un ambalaj rezistent. Cele mai multe dintre materialele folosite la ambalare pot fi reciclate. Duceți aceste materiale la cele mai apropiate locații de reciclare.



*Aparatele electrice sau electronice stricate și/sau care nu mai sunt folosite trebuie depozitate în locațiile speciale pentru reciclare.*

### Numai pentru țările din CE

Nu aruncați echipamentele acționate electric împreună cu gunoiul menajer. Conform Indicației europene 2012/19/EU pentru echipamente electrice și electronice uzate și a implementării sale la nivel național, echipamentele acționate electric scoase din uz trebuie colectate separat și evacuate într-o manieră ecologică.

## GARANȚIE

Condițiile acordării garanției pot fi găsite în certificatul de garanție atașat separat.

**Produsul și manualul de utilizare pot suferi modificări. Specificațiile se pot modifica fără notificare.**

## USMJERIVAČ PRM1015

Zahvaljujemo na kupnji ovog Ferm proizvoda. Njime ste si osigurali izvrstan proizvod koji vam pruža jedan od europskih vodećih dobavljača. Svi proizvodi koje Vam je isporučio Ferm proizvedeni su prema najvišim izvedbenim i sigurnosnim standardima. Kao dio naše filozofije također pružamo izvrsnu podršku klijentima, koji podržava naše opsežno jamstvo. Nadamo se da ćete uživati u korištenju ovog proizvoda još mnogo godina.



*Radi vaše osobne sigurnosti i sigurnosti drugih osoba pažljivo pročitate ove upute prije samog korištenja uređaja. One će vam pomoći da upoznate proizvod i izbjegnute nepotrebne rizike. Ovaj priručnik s uputama čuvajte na sigurnom mjestu za buduće potrebe.*

### Uvod

Ovaj usmjerivač projektiran je za usmjeravanje drva i proizvoda od drva. Provjerite električni alat, nepričvršćene dijelove i dodatnu opremu radi mogućih oštećenja nastalih tijekom transporta.

### Sadržaj

1. Specifikacije električnog alata
2. Sigurnosne upute
3. Sastavljanje
4. Upotreba
5. Održavanje

## 1. SPECIFIKACIJE ELEKTRIČNOG ALATA

### Tehničke specifikacije

Napon	230 V~
Frekvencija	50 Hz
Ulazna snaga	1300 W
Brzina bez opterećenja	9000-30000 okr/min
Dubina rezanja	60 mm
Stezna čahura	6 i 8 mm
Težina	3,57 kg
Lpa (zvučni pritisak)	87,9+3 dB(A)
Lwa (zvučna snaga)	98,9+3 dB(A)
Vibracije na lijevom rukohvatu	3,509+1.5 m/s <sup>2</sup>
Vibracije na desnom rukohvatu	2,441+1.5 m/s <sup>2</sup>

## Razina vibracija

Razina emitiranja vibracija navedena na poledini ovog naputka za uporabu izmjerena je sukladno normiranom testu danom u EN 60745; ona se može koristiti za usporedbu jedne alatke s drugom, te preliminarnu procjenu izloženosti vibracijama pri uporabi alatke za navedene namjene.

- uporaba ove alatke za druge namjene ili s drugim ili slabo održavanim nastavcima, može u značajnoj mjeri uvećati razinu izloženosti.
- vrijeme tokom kojega je alatka isključena, ili je uključena ali se njome ne radi, može značajno umanjiti razinu izloženosti.

Zaštite se od posljedica vibracija održavanjem alatke i njezinih nastavaka, održavanjem Vaših ruku toplima, te organiziranjem Vaših obrazaca rada.

## Sadržaj pakiranja

- 1 Usmjerivač
- 1 Paralelna vodilica
- 1 Komplet ugljičnih četkica
- 1 Predložak vodilice
- 1 Prilagodnik za izvlačenje prašine
- 1 Ključ
- 1 Šesterokutni ključ 4 mm
- 1 Stezna čahura 8 mm (postavljena na električnom alatu)
- 1 Stezna čahura 6 mm
- 6 Nastavci usmjerivača
- 1 Sigurnosne upute
- 1 Upute za rukovanje
- 1 Jamstveni list

## Informacije o proizvodu

### Slike A, B

1. Sklopka za uključivanje/isključivanje
2. Rukohvat
3. Podnožje
4. Fiksirajući vijci za paralelni graničnik
5. Tipka za zabavljanje prekidača
6. Matica stezne čahure
7. Brava vretena
8. Tipka za prilagođavanje dubine prodora
9. Leptir-vijak graničnika dubine
10. Graničnik dubine
11. Stezna poluga
12. Ljestvica dubine prodora
13. Podešivač elektroničke kontrole brzine
14. Ključ
15. Tipka za fino prilagođavanje dubine prodora
16. Sklop za izvlačenje prašine

17. Ravnalo paralelnog graničnika
18. Oznaka nulte točke
19. Paralelni graničnik
20. Šipka vodilice
21. Zakretni sklop graničnika dubine
22. Vijci
23. Predložak vodilice
24. Prilagodnik za prašinu
25. Cijev za prašinu

## 2. SIGURNOSNE UPUTE

U ovim uputama možete pronaći sljedeće simbole:



*Pažljivo pročitajte upute.*



*Opasnost po život i rizik od ozljeda, kao i rizik od oštećivanja električnog alata u slučaju nepridržavanja sigurnosnih uputa navedenih u ovom priručniku za upotrebu.*



*Opasnost od električnog udara.*



*Utikač odvojite od električnog napajanja.*



*Promjenjiva kontrola brzine.*



*Koristite zaštitu za oči i sluh.*



*Koristite masku protiv prašine.*



*Nosite zaštitne rukavice.*

### Dodatne sigurnosne upute

- Radni materijal provjerite radi bilo kakvih prepreka na površini materijala, kao što su čavli i slično, kako biste zaštitili glavu usmjerivača.
- Pričekajte dok se usmjerivač u potpunosti ne zaustavi prije uklanjanja bilo kakvog zapriječenog ili usmjerenog

materijala oko rezača. Upotrijebite dugačak štap, nikad ne koristite prste.

- Ruke držite podalje od površine usmjerivača.
- Alat smjesta isključite ako započne proizvoditi neuobičajene zvukove ili pretjerano vibrirati.
- Prije upotrebe provjerite jesu li svi dijelovi osigurani, pomoćni alati uklonjeni itd.



*Uvijek provjerite odgovara li električno napajanje naponu navedenom na opisnoj oznaci.*



*Ovaj električni alat raspolaže dvostrukom izolacijom i žica uzemljenja nije potrebna.*

- Smjesta odbacite stare kabele ili priključnice nakon što ih zamijenite novima. Priključivanje oštećenog kabela u električnu utičnicu je izuzetno opasno.
- Upotrebjavajte isključivo odobren produžni kabel koji je pogodan za ulaznu snagu električnog alata. Najmanja debljina vodiča je 1,5 mm<sup>2</sup>. U slučaju upotrebe kabela na kolutu, kabel uvijek u cijelosti odmotajte.



*Prije postavljanja dodatka uvijek odvojite utikač napajanja alata.*



*Prije zamjene rezača pričekajte da se električni alat u potpunosti zaustavi i da se rezač ohladi.*

### 3. SASTAVLJANJE

#### Odabir nastavka usmjerivača

Ovisno o vrsti obrade i primjene, nastavci usmjerivača dostupni su u različitim oblicima i kvalitetama:

Nastavci usmjerivača od čelika za velike brzine (HSS) pogodni su za rad s mekanim materijalima, kao što su drvo i plastika.

Nastavci usmjerivača s karbidnim vrhovima (HM) posebno su pogodni za čvrste i abrazivne materijale, kao što su tvrdo drvo i aluminij.

#### Postavljanje i uklanjanje rezača

##### Slika C

Upotrebjavajte isključivo rezače s promjerom osovine koji odgovara veličini stezne čahure. Upotrebjavajte isključivo rezače koji su pogodni za najveću brzinu rada električnog alata. Promjer rezača ne smije biti veći od najvećem promjera

(pogledajte: "Tehničke specifikacije").

Maticu stezne čahure nikad ne pritežite ako u čahuri nema usmjerivača jer može doći do oštećivanja čahure.

- Pritisnite bravu vretena (7) i zakrećite steznu čahuru (6) dok se ne zabravi u svom položaju. Tipku za zabavljanje vretena držite pritisnutom.
- Maticu stezne čahure otvorite pomoću ključa (14).
- Osovinu rezača postavite u čahuru.
- Maticu stezne čahure pritegnite dok se rezač pravilno ne zabravi.
- Maticu stezne čahure otvorite kad želite zamijeniti rezač.

#### Prilagođavanje ravnala paralelnog graničnika

Paralelni graničnik koristan je alat za precizno usmjeravanje na fiksnim udaljenostima od ruba radnog materijala.

- U alat postavite željeni rezač.
- Paralelnu vodilicu sa šipkama za vođenje klizno namjestite na osnovnu ploču i zadovoljavajuće pritegnite leptir-vijcima

#### Postavljanje predložka vodilice

##### Slika D

Predložka vodilice korisna je pomoć za rezanje uzoraka.

- Predložka vodilice (23) postavite na osnovnu ploču usmjerivača (3) pomoću vijaka (22).

#### Postavljanje prilagodnika za izvlačenje prašine

##### Slike E

Ovaj prilagodnik upotrijebite za izvlačenje prašine. Ako prilagodnik nije postavljen na električnom alatu, slijedite ove upute:

- Pomoću vijaka (22), prilagodni za prašinu (24) namjestite na rezač (3).
- Cijev za prašinu (25) namjestite u otvor za prašinu (16).
- Cijev usisavača prašine namjestite na cijev za prašinu (25).



*Otvor električnog alata držite na stražnjoj strani alata kako biste imali dobru preglednost radnog materijala.*

### 4. UPOTREBA

#### Be- és kikapcsolás (ábra. B)

- A szerszám bekapcsolásához nyomja a lezáró (5) gombot, majd nyomja meg az On / kikapcsoló (1).

- A gép kikapcsolásához engedje el a be / ki kapcsolót (1).

### Savjeti primjene

- Nakon uključivanja električnog alata pobrinite se da alat dostigne punu brzinu prije nego ga upotrijebite na radnom materijalu.
- Učvrstite radni materijal i provjerite kako ne proklizuje ispod električnog alata tijekom izvođenja radova.
- Električni alat pridržavajte čvrsto i ravnomjerno ga pomičite preko radnog materijala. Ne preopterećujte alat.
- Koristite isključivo rezače koji ne pokazuju znakove habanja. Istrošeni rezači imaju negativan utjecaj na učinkovitost električnog alata.
- Električni alat uvijek isključite prije izvlačenja utikača napajanja iz električne utičnice.

### Prethodni odabir brzine

Potrebna brzina može se unaprijed odabrati putem birača. Brzina vrtnje može se prilagođavati i tijekom rada.

1 – 2 = mala brzina  
3 – 4 = srednja brzina  
5 – 6 = velika brzina  
Max = najveća brzina

Potrebna brzina ovisi o materijalu i može se odrediti praktičnom provjerom. Dodatno, nastavci usmjerivača veće promjera zahtijevaju manje brzine vrtnje.

Materijal	Promjer nastavak usmjerivača	Stupnjevi brzine
Tvrdno drvo	>20 mm	1 – 2
	10 – 20 mm	3 – 4
	<10 mm	5 – najv
Meko drvo	>20 mm	1 – 3
	10 – 20 mm	3 – 6
	<10 mm	5 – najv
Aluminij	>15 mm	1
	<15 mm	1 – 2
Plastika	>15 mm	1 – 2
	<15 mm	2 – 3

Nakon produljenog rada pri malim brzinama potrebno je električnom alatu dopustiti da se nekoliko minuta hladi uz rad pri većoj brzini i bez opterećenja.

### Postavljanje visine stupa usmjerivača Slika F+B

Stezna poluga (11) upotrebljava se za postavljanje najveće visine usmjerivača. Na taj se način fiksira dubina prodiranja. Ovo je često potrebno tijekom korištenja alata na posebno stolu usmjerivača. Provjerite da stup usmjerivača nije zabavljen. Usmjerivač se može potisnuti na dolje, prema opruzi. Stup usmjerivača zabravite pomoću stezne poluge. Usmjerivač je sad zabavljen i više se neće vraćati u izvorni položaj.

### Postavljanje dubine prodiranja Slika F+B

Dubina prodiranja može se prilagoditi tipkama 8, 9, 11 i 15. Ako se dubina prodiranja pravilo postavi, potrebnu urez može se usmjeriti uz preciznost do 0,1 mm.

Priprema:

- U alat postavite željeni rezač. Usmjerivač se može potisnuti na dolje, prema opruzi.
- Alat potisnite na dolje dok rezač ne dodirne radni materijal, a zatim ga zabravite pomoću stezne poluge (11).
- Olabavite tipku 9.
- Tipku 15 postavite na nulu.
- Pomoću tipke 8 postavite dubinu do kraja.
- Pritegnite tipku 9 (u smjeru kazaljki na satu). Dubina prodiranja sad je postavljena na točno 0 mm.

Gruba postavka:

- Vrijednost očitajte s ljestvice (12).
- Olabavite tipku 9.
- Zakrenite tipku 8 i ponovo očitajte vrijednost s ljestvice. Razlika između dviju vrijednosti je postavka dubine prodiranja. Na primjer: Ako vrijednost na ljestvici (12) iznosi 8,5 u nultom položaju, a nakon okretanja tipke (8) vrijednost je 7,0, tad je dubinu prodiranja potrebno postaviti na 1,5 cm.
- Ponovo pritegnite tipku 9.

Fino podešavanje:

- Olabavite tipku 9.
- Gornja tipka (15) još uvijek je na nuli. Ovu tipku u cijelosti zakrenite u smjeru suprotnom od kazaljki na satu, dok se ponovno ne postavi u nulu. Dubina prodiranja sad iznosi 1.0 mm ili manje.
- Ako je potrebno, dubina prodiranja može se precizno prilagoditi do 0,1 mm.

- Ponovo pritegnite tipku 9.  
Oslobodite steznu polugu (11).

### Prilagođavanje pomoću zakretnog graničnika dubine

Zakretni graničnik dubine omogućuje vam brz odabir između tri različite dubine prodiranja. One se također određuju prilagođavanjem graničnika dubine (10).

Za veće dubine usmjeravanja preporučuje se izvođenje nekoliko ponavljajućih rezova uz niže stupnjeve uklanjanja.

- Željenu dubinu prodiranja podesite vrtjom zakretnog graničnika dubine (21).

## 5. ODRŽAVANJE



*Tijekom izvođenja radova održavanja na motoru svakako provjerite kako alat nije pod naponom.*

Ovaj električni uređaj dizajniran je za dugotrajnu upotrebu uz minimalna održavanja. Stalni zadovoljavajući rad ovisi o odgovarajućoj brzi i redovnom čišćenju uređaja.

### Čišćenje

Kućište redovno čistite mekom krpom, po mogućnosti nakon svake upotrebe. Otvore za prozračivanje održavajte čistima od prašine i nečistoća. Ako se nečistoća ne može ukloniti, upotrijebite meku krpu namočenu u sapunastoj vodi. Nikad ne upotrebljavajte otopine kao što su benzin, alkohol, amonijak itd. Ove otopine mogu oštetiti plastične dijelove.

### Uklanjanje problema

Na sljedećoj stranici navedeni su neki potencijalni uzroci i rješenja mogućih neispravnosti.

- 1 Prekidač uključivanja je uključen, ali motor ne radi**
  - Električni krug je neispravan
    - *Zatražite popravak električnog kruga*
  - Ožičenje u utikaču ili utičnici je labavo
    - *Zatražite provjeri ili popravak utikača i utičnice*
  - Prekidač je neispravan
    - *Zatražite popravak prekidača*

### 2 Usmjerivač sporo radi

- Istupljen ili oštećen rezač
  - *Naoštrite ili zamijenite rezač*
- Promjenjiva brzina je premala
  - *Povećajte promjenjivu brzinu*
- Motor je preopterećen
  - *Smanjite silu pritiska na usmjerivač*

### 3 Pretjerane vibracije

- Savinuta osovina rezača
  - *Zamijenite rezač*

### 4 Iskrenje unutar kućišta

- Ugljične četkice su istrošene
  - *Zamijenite ugljične četkice*

### Kvarovi

U slučaju bilo kakvih neispravnosti, npr. nakon habanja dijelova, molimo vas da kontaktirate servis čiju adresu možete pronaći na jamstvenom listu. U ovom priručniku možete pronaći rastvoreni prikaz sastavnih dijelova koji su dostupni za naručivanje.

## OKOLIŠ

Kako bi se spriječilo oštećivanje proizvoda tijekom transporta, alat se isporučuje u čvrstom pakiranju. Veći dio materijala za pakiranje može se reciklirati. Ove materijale odnesite u odgovarajuće ustanove za recikliranje.



*Neispravni i/ili odbačeni električni ili elektronički uređaji moraju se prikupljati na odgovarajućim lokacijama.*

### Samo za zemlje Europske unije.

Alate nemojte odlagati u kućanski otpad. Prema europskim smjernicama 2012/19/EU za otpadnu električnu i elektroničku opremu i njihovoj primjeni i državnom zakonodavstvu, radni alati koji se više ne koriste moraju se odvojeno sakupiti i odložiti na ekološki prihvatljiv način.

## GARANTIE

Pročitajte priložene uvjete jamstva.

**Proizvod i korisnički priručnik su podložni promjenama. Specifikacije se mogu promijeniti bez upozorenja.**

## RUČNA GLODALICA PRM1015

Zahvaljujemo se na kupovini ovog proizvoda. Nabavili ste odličan proizvod od jednog od najvećih evropskih dobavljača.

Svi proizvodi koje vam isporuči kompanije Fern napravljeni su po najvišim standardima vezanim za njihov rad i bezbednost. Naša politika je i da pružamo odličnu uslugu korisnicima, za šta je dokaz i sveobuhvatna garancija koju dajemo. Nadamo se da ćete uživati u korišćenju ovog proizvoda mnogo godina.



*Radi vaše bezbednosti i bezbednosti drugih osoba, molimo pročitajte pažljivo ove instrukcije pre upotrebe ovog uređaja. One će vam pomoći da lakše razumete vaš proizvod i da izbegnete nepotrebni rizici. Sačuvajte ovo uputstvo na bezbednom mestu za buduće potrebe.*

### Uvod

Ručna glodalica je konstruisana za glodanje drveta i proizvoda od drveta. Proverite mašinu, olabavljene delove i pribori da nisu oštećeni prilikom transporta.

### Sadržaji

1. Specifikacije mašine
2. Instrukcije o bezbednosti
3. Montaža
4. Rad
5. Održavanje

## 1. SPECIFIKACIJE MAŠINE

### Tehničke specifikacije

Napon	230 V~
Frekvencija	50 Hz
Apsorbovana snaga	1300 W
Brzina bez opterećenja	9000-30000/min
Dubina glodanja	60 mm
Prstenasti osigurač	6 & 8 mm
Težina	3,57 kg
Lpa (zvučni pritisak)	87,9+3 dB(A)
Lwa (zvučna snaga)	98,9+3 dB(A)
Vibracija na levoj ručici	3,509+1.5 m/s <sup>2</sup>
Vibracija na desnoj ručici	2,441+1.5 m/s <sup>2</sup>

### Nivo vibracija

Nivo emisije vibracija naznačen na poleđini ovog uputstva za upotrebu izmeren je u skladu sa standardizovanim testom datim u EN 60745; on se može koristiti za upoređenje jedne alatke sa drugom, kao i za preliminarnu procenu izloženosti vibracijama pri korišćenju ove alatke za pomenute namene.

- korišćenje alatke u drugačije svrhe ili sa drugačijim ili slabo održavanim nastavcima može značajno povećati nivo izloženosti.
- vreme kada je alatka isključena ili kada je uključena, ali se njome ne radi, može značajno smanjiti nivo izloženosti.

Zaštite se od posledica vibracija održavanjem alatke i njenih nastavaka, održavajući Vaše ruke toplim i organizovanjem Vaših radnih obrazaca.

### Sadržaj pakovanja

- 1 Ručna glodalica
- 1 Paralelne vođice
- 1 Komplet grafitnih četkica
- 1 Vođica šablona
- 1 Adapter za izvlačenje prašine
- 1 Matični ključ
- 1 4mm imbus ključ
- 1 Prstenasti osigurač 8mm (namešten na mašini)
- 1 Prstenasti osigurač 6 mm
- 6 Glodala
- 1 Instrukcije o bezbednosti
- 1 Uputstva za rad
- 1 Garancijski list

### Informacije o proizvodu

#### Slika A, B

1. Prekidač za uključivanje/isključivanje
2. Ručica
3. Osnovna ploča
4. Zavrtnjevi za učvršćivanje paralelne ograde
5. Taster prekidač za blokadu
6. Navrtka za prstenasti osigurač
7. Osigurač osovine
8. Taster za podešavanje dubine glodanja
9. Leptir zavrtnj za zaustavljanje dubine
10. Blokada dubine bušenja
11. Poluga za stezanje
12. Skala za dubinu glodanja
13. Podešljiv obrtni prekidač za elektronsku kontrolu brzine
14. Matični ključ
15. Taster za fino podešavanje dubine glodanja



16. Uređaj za izvlačenje prašine
17. Lenjir za paralelnu ogradu
18. Oznaka nula
19. Paralelna ograda
20. Šipka upravljačica
21. Graničnik dubine (revolver)
22. Zavrtnevi
23. Vođica šablona
24. Adapter za prašinu
25. Cev za prašinu

## 2. INSTRUKCIJE O BEZBEDNOSTI

Sledeći simboli se koriste u ovom uputstvu za upotrebu:



*Pažljivo pročitajte instrukcije.*



*Opasnost po život i rizik od povrede kao i oštećenje mašine u slučaju nepridržavanja bezbednosnih instrukcija u ovom uputstvu za upotrebu.*



*Opasnost od električnog udara.*



*Iskopčajte utikač iz električne utičnice.*



*Promenljiva kontrola brzine.*



*Nosite zaštitu za sluh i oči.*



*Nosite masku za zaštitu od prašine.*



*Nosite zaštitne rukavice.*

### Dodatna bezbednosna uputstva

- Molimo proverite radni materijal na bilo kakve prepreke na površini materijala, kao što su ukucani ekseri itd., radi zaštite glave glodalice.
- Sačekajte da se ručna glodalica potpuno zaustavi pre nego što počnete da uklanjate

zaglavljen ili izglođan materijal oko rezača. U tu svrhu upotrebite dug štap a nikada vaš prst.

- Molimo držite vaše ruke udaljeno od površine za glodanje.
- Odmah isključite alat ako počne da proizvodi neobičan zvuk ili počne prekomerno da vibrira.
- Molim proverite da li su svi delovi bezbedni, alati uklonjeni itd. pre početka rada.



*Uvek proverite da snabdevanje naponom odgovara naponu na fabričkoj pločici.*



*Vaša mašina je dvostruko izolovana, radi toga nije potrebno uzemljivati je.*

- Smesta bacite stare kablove ili utikače kada su zamenjeni sa novijim. Opasno je stavljati utikač sa labavim kablom u zidnoj utičnici.
- Isključivo koristite odobrene produžne kablove koji su pogodni za apsorbovanu snagu mašine. Minimalna veličina provodnika je 1.5 mm<sup>2</sup>. Ukoliko koristite kotur kabla uvek odmotajte kotur do kraja.



*Pre nego što montirate neki pribor uvek prvo iskopčajte alat iz napajanja.*



*Sačekajte da se mašina potpuno zaustavi i da se rezač ohladi pre nego što zamenite rezač.*

## 3. MONTAŽA

### Izbor glodala

U zavisnosti od obrade i primene, glodala su na raspolaganju u različitim konstrukcijama i kvalitetima:

Noževi glodala napravljena od brzoreznog čelika (HSS) su pogodni za rad sa mekim materijalima, n.pr. meko drvo i plastika.

Noževi glodala sa karbidnim vrhom (HM) su posebno pogodni za tvrde i abrazivne materijale, n.pr. tvrdo drvo i aluminijum.

### Montaža i uklanjanje rezača

#### Slika C

Koristite samo rezače sa prečnikom vretena koji odgovara veličini prstenastog osigurača. Koristite samo rezače koji odgovaraju maksimalnoj brzini mašine. Prečnik rezača ne sme prekoračiti maksimalni prečnik (pogledati 'Tehničke specifikacije').

Nikada nemojte stegnuti navrtku prstenastog osigurača ako se ne nalazi nož glodala u prstenastom osiguraču; možete oštetiti prstenasti osigurač.

- Pritisnite blokadu vretena (7) i okrenite navrtku prstenastog osigurača (6) dok se ne oslobodi iz brave. Tokom ove procedure držite blokadu vretena pritisnutom.
- Otvorite navrtku prstenastog osigurača sa matičnim ključem (14).
- Umetnite rezač u prstenasti osigurač.
- Pritegnite navrtku prstenastog osigurača tako da je rezač pravilno blokiran.
- Otvorite navrtku prstenastog osigurača kada želite da zamenite rezač.

#### Podešavanje lenjira paralelne ograde

Paralelna ograda je koristan alat za precizno glodanje sa utvrđenog rastojanja od ivice radnog materijala.

- Umetnite željeni rezač u alat.
- Spustite paralelne vođice sa šipkama upravljačima na osnovnu ploču i pritegnite na potrebnu meru sa zavrtnjevima sa leptir navrtkama.

#### Montaža vođice šablona

##### Slika D

Vođica šablona je priručna pomoć za rezanje šablona.

- Montirajte vođicu šablona (23) na osnovu ručne glodalice (3) pomoću zavrtnjeva (22).

#### Montaža adaptera za izvlačenje prašine

##### Slika E

Koristite adapter za prašinu radi izvlačenja prašine. U slučaju da adapter nije namontiran na mašini, sledite ove instrukcije:

- Namontirajte adapter za prašinu (24) sa zavrtnjevima (22) u podnožju rezača (3).
- Namestite cev za prašinu (25) na izlaznom otvoru za prašinu (16).
- Namestite cev vašeg usisivača na cev za prašinu (25).



*Držite ispusni otvor mašine iza mašine radi boljeg pogleda na radni materijal.*

## 4. RAD

#### Укључивање и искључивање (Сл. В)

- Да укључите машину, притисните закључавање-офф дугме (5), а затим

притисните Он / офф прекидач (1).

- Да Искључите машину, отпустити за укључивање / искључивање прекидач (1).

#### Saveti za upotrebu

- Nakon uključivanja mašine, uverite se da je mašina dostigla punu brzinu pre nego što je upotrebite na radnom materijalu.
- Učvrstite radni materijal i uverite se da radni materijal ne može da sklizne ispod mašine tokom aktivnosti rezanja.
- Držite čvrsto mašinu i pomerajte je jednako preko radnog materijala. Ne preopterećujte mašinu.
- Koristite samo rezače koji nemaju znakove istrošenosti. Istrošeni rezači imaju negativan uticaj na efikasnost mašine.
- Uvek isključite prvo mašinu pre nego što izvučete utikač iz zidne utičnice.

#### Prethodni izbor brzine

Potrebna brzina se može prethodno izabrati sa obrtnim regulatorom brzine. Takođe možete tokom rada da podesite brzinu okretanja.

1 – 2 = mala brzina

3 – 4 = srednja brzina

5 – 6 = visoka brzina

Max = maksimalna brzina

Potrebna brzina zavisi od materijala i može se utvrditi praktičnim probama. Osim toga, noževi glodala sa većim prečnikom zahtevaju nižu brzinu okretanja.

Materijal	Prečnik umetak glodala	Stepeni brzine
Tvrdo drvo	>20 mm	1 – 2
	10 – 20 mm	3 – 4
	<10 mm	5 – max
Meko drvo	>20 mm	1 – 3
	10 – 20 mm	3 – 6
	<10 mm	5 – max
Aluminijum	>15 mm	1
	<15 mm	1 – 2
Plastika	>15 mm	1 – 2
	<15 mm	2 – 3

Nakon dugog perioda rada mašine pri nižoj brzini, omogućite da se mašina ohladi tako što ćete je pustiti da radi nekoliko minuta pri najvećoj brzini bez opterećenja.

### **Podešavanje visine stuba ručne glodalice**

#### **Slika F+B**

Poluga za stezanje (11) se koristi za podešavanje maksimalne visine ručne glodalice.

Onda je dubina glodanja utvrđena. To je obično potrebno kada se alat koristi na specijalnom stolu za glodalicu.

Uverite se da stub glodalice nije blokiran.

Ručnu glodalicu možete gurnuti naniže protiv sile opruge.

Blokirajte stub glodalice upotrebom poluge za stezanje.

Ručna glodalica je sada blokirana i ne vraća se više nazad u svojoj originalnoj poziciji.

### **Podešavanje dubine glodanja**

#### **Slika F+B**

Dubinu glodanja možete podesiti upotrebom tastera 8, 9, 11 i 15. Ako je dubina glodanja podešena pravilno, onda se udubljenje može izgledati precizno do vrednosti unutar 0,1 mm.

Priprema:

- Umetnite željeni rezač u alat.  
Ručnu glodalicu možete gurnuti naniže protiv sile opruge.
- Gurnite alat naniže dok rezač ne dodirne radni materijal, onda ga blokirajte upotrebom poluge za stezanje (11).
- Olabavite taster 9.
- Podesite taster 15 na nulu.
- Upotrebite taster 8 da biste podesili dubinu sve do kraja.
- Pritegnite taster 9 (u smeru kazaljke na satu). Dubina glodanja je sada podešena precizno na 0 mm.

Grubo podešavanje:

- Pročitajte vrednost od skale (12).
- Olabavite taster 9.
- Okrenite taster 8 i ponovo pročitajte vrednost od skale. Razlika između te dve vrednosti je podešenje za dubinu glodanja. Na primer: ako je vrednost na skali (12) 8.5 u nultom podešenju i vrednost je 7.0 nakon što ste okrenuli taster (8), onda je dubina glodanja podešena na 1.5 cm.
- Pritegnite ponovo taster 9.

Fino podešavanje:

- Olabavite taster 9.
- Gornji taster (15) je i dalje podešen na nulu. Okrenite ovaj taster celim krugom u smeru suprotnom od kazaljke na satu, dok se ne vrati opet u nultoj poziciji. Dubina glodanja je sada manja za 1.0 mm.
- Ukoliko potrebno, dubina glodanja se može podesiti precizno unutar vrednosti od 0.1mm.
- Pritegnite ponovo taster 9.  
Deblokirajte polugu za stezanje (11).

### **Podešavanje upotrebom revolvera - graničnika dubine**

Graničnik dubine vam omogućava brzi izbor između tri različite dubine rezanja. Te dubine su takođe utvrđene pomoću podešavanja graničnika dubine (10).

Za veće dubine glodanja, preporučuje se nekoliko ponovljenih koraka rezanja sa smanjenom stopom uklanjanja otpadaka.

- Podesite potrebnu dubinu rezanja okretanjem graničnika dubine (21).

## **5. ODRŽAVANJE**



*Osigurajte se da mašina nema napajanje dok vršite radove održavanja na motoru.*

Ova mašina je konstruisana da radi dug period vremena sa minimalnim održavanjem. Neprekidan zadovoljavajući rad zavisi od pravilne nege i redovnog čišćenja aparata.

### **Čišćenje**

Redovno čistite kućište mašine sa mekom krpom, poželjno nakon svake upotrebe. Držite ventilacione otvore oslobođenim od prašine i prljavštine. Ukoliko se prljavštine ne mogu ukloniti, upotrebite meku krpnu navlaženu sa nasapunjenom vodom. Nikada nemojte koristiti rastvarače kao što su benzin, alkohol, rastvor amonijaka u vodi itd. Ovi rastvarači mogu oštetiti plastične delove.

### **Lociranje i uklanjanje neispravnosti**

Na sledećoj strani molimo vas pogledajte neki potencijalni uzroci i neka rešenja za moguće neispravnosti.

### 1 Radni prekidač je uključen, ali motor ne radi

- Električno kolo je prekinuto
  - *Popravite električno kolo*
- Žice u utikaču ili u utičnici su labave
  - *Neka vam se proverí i popravi utičnica i utikač*
- Prekidač je neispravan
  - *Popravite prekidač*

### 2 Glodalica radi sporo

- Tup ili oštećen rezač
  - *Naoštrite ili zamenite rezač*
- Promenljiva brzina je podešena nisko
  - *Povećajte brzinu*
- Motor je preopterećen
  - *Smanjite silu pritiskanja na glodalici*

### 3 Prekomerna vibracija

- Savijte telo rezača
  - *Zamenite rezač*

### 4 Varničenje unutar kućišta

- Grafitne četkice istrošene
  - *Zamenite grafitne četkice*

#### Kvarovi

Ukoliko nastupi neki kvar, na primer nakon habanje nekog dela, molimo stupite u kontakt sa adresom naznačenom na garantnom listu. U prilogu naći ćete šematski prikaz alata koji vam prikazuje delove koje se mogu poručiti.

## ŽIVOTNA SREDINA

Da bi se sprečilo oštećenje proizvoda za vreme transporta, alatka se isporučuje u čvrstom pakovanju. Veći deo materijala za pakovanje može da se reciklira. Ove materijale odnesite u odgovarajuće ustanove za reciklažu.



*Nesipravne i/ili izbačene električne ili elektronske aparate se moraju sakupljati na odgovarajućim lokacijama za recikliranje.*

#### Samo za zemlje članice Evropske Unije

Alat za napajanje nemojte da bacate kao kućni otpad. Po Evropskoj smernici 2012/19/EU za odlaganje električne i elektronske opreme i njenoj primeni u državnom pravu, alat za napajanje koji se više ne koristi mora da se odvoji i da se odloži u otpad na odgovarajući način.

## GARANCIJA

Uslovi garancije možete pronaći na posebno priloženoj kartici za garanciju.

**Proizvod i priručnik za korisnike su podložni izmenama. Specifikacije je moguće promeniti bez prethodne najave.**

## ФАСОННО-ФРЕЗЕРНЫЙ СТАНОК PRM1015

Благодарим вас за приобретение данного изделия Ferm. Теперь есть великолепный инструмент от одного из ведущих европейских поставщиков. Все изделия, которые поставляет вам Ferm, изготовлены в соответствии с высочайшими стандартами в отношении производительности и безопасности. Кроме того, мы предлагаем превосходное обслуживание заказчиков, которое поддерживается нашей комплексной гарантией - это часть нашей философии. Мы надеемся, что вы будете получать удовольствие от работы с этим инструментом в течение многих лет.



*Для вашей собственной безопасности и безопасности других людей, внимательно прочтите настоящие инструкции перед тем, как приступить к использованию данного изделия. Это поможет вам лучше понять принцип действия данного продукта и избежать риска. Сохраните данное руководство для справки в будущем.*

### Введение

Фасонно-фрезерный станок предназначен для фасонного фрезерования дерева и лесоматериалов. Проверьте инструмент и дополнительные аксессуары на наличие незакрепленных деталей и повреждений при транспортировке.

### Содержание

1. Технические характеристики
2. Указания по технике безопасности
3. Сборка
4. Эксплуатация
5. Обслуживание

## 1. ТЕХНИЧЕСКИЕ ХАРАКТЕРИСТИКИ

### Технические характеристики

Напряжение	230 В~
Частота	50 Гц
Потребляемая мощность	1300 Вт
Скорость без нагрузки	9000-30000/мин
Глубина резки	60 мм
Цанговый патрон	6 и 8 мм
Вес	3,57 кг
Lpa (звуковое давление)	87,9+3 дБ (A)
Lwa (звуковая мощность)	98,9+3 дБ (A)
Вибрация левой рукоятки	3,509+1.5 м/с <sup>2</sup>
Вибрация правой рукоятки	2,441+1.5 м/с <sup>2</sup>

### Уровень вибрации

Уровень вибрации, указанный в конце данного руководства по эксплуатации был измерен в соответствии со стандартизированным испытанием, содержащимся в EN 60745; данная характеристика может использоваться для сравнения одного инструмента с другим, а также для предварительной оценки воздействия вибрации при использовании данного инструмента для указанных целей.

- при использовании инструмента в других целях или с другими/неисправными вспомогательными приспособлениями уровень воздействия вибрации может значительно повышаться.
- в периоды, когда инструмент отключен или функционирует без фактического выполнения работы, уровень воздействия вибрации может значительно снижаться.

защищайте себя от воздействия вибрации, поддерживая инструмент и его вспомогательные приспособления в исправном состоянии, поддерживая руки в тепле, а также правильно организуя свой рабочий процесс.

### Комплектность

- 1 Фасонно-фрезерный станок
- 1 Параллельная направляющая
- 1 Комплект угольных щеток
- 1 Направляющая для шаблона
- 1 Адаптер для удаления пыли
- 1 Гаечный ключ
- 1 Шестигранный ключ 4 мм

- 1 Цанговый патрон 8 мм (установлен на оборудовании)
- 1 Цанговый патрон 6 мм
- 6 Насадки фасонно-фрезерного станка
- 1 Инструкция по безопасности
- 1 Руководство по эксплуатации
- 1 Гарантийный формуляр

### Информация об изделии

#### Рис. А, В

- 1. Выключатель питания
- 2. Рукоятка
- 3. Опорная пластина
- 4. Крепежные винты для параллельной направляющей
- 5. Кнопка блокировки выключателя
- 6. Гайка цанги
- 7. Устройство блокировки шпинделя
- 8. Кнопка регулировки глубины погружения фрезы
- 9. Барашковый болт для ограничителя глубины
- 10. Ограничитель глубины
- 11. Зажимная рукоятка
- 12. Шкала глубины погружения фрезы
- 13. Колесо регулировки для электронного управления скоростью
- 14. Гаечный ключ
- 15. Кнопка точной настройки глубины погружения фрезы
- 16. Пылеуловитель
- 17. Направляющая линейка
- 18. Нулевая отметка
- 19. Параллельная направляющая
- 20. Направляющий стержень
- 21. Барабан ограничителя глубины
- 22. Винты
- 23. Направляющая для шаблона
- 24. Адаптер для пылеуловителя
- 25. Пылесборник

## 2. УКАЗАНИЯ ПО ТЕХНИКЕ БЕЗОПАСНОСТИ

В данной инструкции используются следующие знаки:



*Внимательно прочтите инструкции.*



*Опасность для жизни, риск получения травмы, а также риск повреждения оборудования в случае несоблюдения правил техники безопасности, приведенных в данном руководстве по эксплуатации.*



*Опасность поражения электрическим током.*



*Вынимайте штепсельную вилку из розетки.*



*Плавное регулирование скорости.*



*Пользуйтесь защитными очками и средствами защиты слуха.*



*Во время работы надевайте респиратор.*



*Надевайте защитные перчатки.*

### Дополнительные правила техники безопасности

- Проверьте заготовки на наличие каких-либо инородных тел на поверхности материала - например, выступающих гвоздей и т.д.
- Перед тем, как удалить какие-либо отходы материала с поверхности вокруг станка, дождитесь его полной остановки. Для этого пользуйтесь длинной палочкой и никогда не пытайтесь делать это пальцами.
- Держите руки на расстоянии от обрабатываемой поверхности.
- Немедленно выключите инструмент в случае появления какого-либо необычного шума или чрезмерной вибрации.
- Перед началом работы убедитесь в том, что все детали надежно закреплены, а инструменты удалены с заготовки.



*Необходимо обязательно убедиться в том, что напряжение источника питания соответствует указанному на шильдике.*



*Данное оборудование имеет двойную изоляцию, поэтому заземление не требуется.*

- Необходимо немедленно утилизировать старый провод или штепсельную вилку в случае их замены. Подключение штепсельной вилки отрезанного провода к сетевой розетке - опасно.
- Используйте только рекомендованные удлинители, соответствующие значению входной мощности инструмента. Минимальный размер проводника - 1,5 мм<sup>2</sup>. При использовании кабельного барабана всегда полностью разматывайте провод.



*Перед сборкой всегда отключайте инструмент от сети питания.*



*Перед заменой режущей насадки, дождитесь полной остановки станка и охлаждения фрезы.*

### 3. СБОРКА

#### Выбор насадок фасонно-фрезерного станка

В зависимости от типа обработки и области применения, используются режущие насадки различных типов и качества:

Режущие насадки из быстрорежущей инструментальной стали (HSS) подходят для работы с мягкими материалами, например, мягкой древесиной и пластмассой.

Насадки с твердосплавными режущими пластинами (HM) особенно подходят для твердых и абразивных материалов, например, твердой древесины и алюминия.

#### Установка и удаление режущих насадок

##### Рис. С

Используйте только режущие наконечники, диаметр шейки которых соответствует диаметру цангового патрона. Используйте только режущие наконечники, соответствующие максимальной скорости станка. Диаметр режущего инструмента не должен превышать максимальный диаметр (см. 'Технические характеристики').

Никогда не затягивайте гайку цангового патрона при отсутствии установленной насадки; это может привести к повреждению цангового патрона.

- Нажмите кнопку блокировки шпинделя (7) и поворачивайте гайку цангового патрона (6) до тех пор, пока она не войдет в контакт с устройством блокировки. Удерживайте

кнопку блокировки нажатой в течение всей этой процедуры.

- С помощью гаечного ключа ослабьте гайку цангового патрона (14).
- Поместите фрезерную оправку в цанговый патрон.
- Затяните гайку цангового патрона таким образом, чтобы фреза была должным образом зафиксирована.
- При необходимости замены фрезы, ослабьте гайку цангового патрона.

#### Регулировка направляющей линейки

Направляющая линейка представляет собой очень удобный инструмент для точной фасонной резки и фрезерования на фиксированном расстоянии от угла заготовки.

- Установите нужную фрезу.
- Сдвиньте направляющую линейку, направив направляющие стержни к опорной пластине, и затяните до нужного момента с помощью барашковых болтов.

#### Установка направляющей для шаблона

##### Рис. D

Направляющая для шаблона очень удобна для вырезания шаблонов.

- Установите направляющую для шаблона (23) на основание фасонно-фрезерного станка (3) с помощью винтов (22).

#### Установка адаптера пылеуловителя

##### Рис. E

Пылеуловитель используется для отсасывания пыли. Если адаптер не установлен на вашем станке, выполните следующие действия:

- Установите пылеуловитель (24) с помощью винтов (22) на подошву фрезы (3).
- Поместите пылесборник (25) в шламовое отверстие (16).
- Поместите трубку пылесоса в пылесборник (25).



*Поддерживайте отверстие задней части инструмента свободным, чтобы обеспечить хорошую видимость поверхности заготовки.*

### 4. ЭКСПЛУАТАЦИЯ

#### Включение и выключение (рис. В)

- Для включения электроинструмента удерживайте кнопку блокировки (5) и

нажмите выключатель (1).

- Для выключения электроинструмента отпустите выключатель (1).

#### Рекомендации по использованию

- После включения инструмента, дождитесь, пока он наберет полные обороты, прежде чем использовать его для заготовки.
- Зафиксируйте заготовку с помощью зажимов и убедитесь в том, что она не может упасть под инструмент в процессе резки.
- Прочно удерживайте инструмент и перемещайте его над заготовкой с равномерной скоростью. Не прилагайте чрезмерные усилия и не пытайтесь ускорить работу станка.
- Используйте только фрезы, не имеющие повреждений или следов износа. Изношенные фрезы отрицательно сказываются на эффективности работы инструмента.
- Всегда сначала выключайте инструмент, прежде чем вынуть штепсельную вилку из розетки.

#### Предварительный выбор скорости

Нужную скорость можно выбрать с помощью дискового переключателя. Скорость вращения можно регулировать также в процессе работы.

1 – 2 = низкая скорость

3 – 4 = средняя скорость

5 – 6 = высокая скорость

Max = максимальная скорость

Выбор скорости зависит от материала и может определяться методом практической проверки. Таким образом, для фрез большого диаметра требуется более низкая скорость вращения.

Материал	Диаметр насадки	Скорость
Твердая древесина	>20 mm	1 – 2
	10 – 20 mm	3 – 4
	<10 mm	5 – макс.
Мягкая древесина	>20 mm	1 – 3
	10 – 20 mm	3 – 6
	<10 mm	5 – макс.

Алюминий	>15 mm	1
	<15 mm	1 – 2
Пластмасса	>15 mm	1 – 2
	<15 mm	2 – 3

После длительного периода работы на низкой скорости, дайте инструменту остыть, дав ему поработать несколько минут на больших оборотах без нагрузки.

#### Настройка высоты основания фасонно-фрезерного станка

##### Рис. F+B

Зажимной рычаг (11) используется для установки максимальной высоты фасонно-фрезерного станка.

Затем фиксируется глубина погружения фрезы. Обычно это необходимо при использовании инструмента на специальном верстаке.

Убедитесь в том, что опора фасонно-фрезерного станка не закреплена.

Станок можно опустить вниз, в направлении, против сжатия пружины.

Зафиксируйте опору фасонно-фрезерного станка с помощью зажимного рычага. Теперь станок заблокирован и не будет возвращаться в исходное положение.

#### Регулировка глубины погружения фрезы

##### Рис. F+B

Глубина погружения фрезы может регулироваться с помощью кнопок 8, 9, 11 и 15. Если глубина погружения установлена правильно, фрезеровка нужной канавки может быть выполнена с точностью до 0,1 мм.

Подготовка:

- Установите нужную фрезу. Станок можно опустить вниз, в направлении, против сжатия пружины.
- Опускайте инструмент вниз до тех пор, пока фреза не коснется заготовки, а затем зафиксируйте его с помощью зажимного рычага (11).
- Отожмите кнопку 9.
- Установите регулятор 15 на 0.
- С помощью регулятора 8 установите глубину.
- Затяните регулятор 9 (по часовой стрелке). Глубина погружения фрезы теперь установлена в точности на 0 мм.



Приблизительная настройка:

- Посмотрите значение на шкале (12).
- Отожмите регулятор 9.
- Поверните регулятор 8 и снова посмотрите значение на шкале. Различие между двумя значениями представляет собой настройку глубины погружения фрезы. Пример: Если значение на шкале (12) равно 8,5 при установке на ноль, и 7,0 - после поворачивания регулятора (8), это означает, что глубина погружения фрезы равна 1,5 см.
- Снова затяните регулятор 9.

Точная настройка:

- Отожмите регулятор 9.
- Верхний регулятор (15) все еще установлен на ноль. Поверните этот регулятор на полный оборот против часовой стрелки, пока он снова не вернется в нулевое положение. Глубина погружения фрезы теперь на 1,0 мм меньше.
- При необходимости, глубина погружения фрезы может быть установлена с точностью до 0,1 мм.
- Снова затяните регулятор 9. Разблокируйте зажимной рычаг (11).

### Регулировка с помощью барабана-ограничителя глубины

Барабан-ограничитель глубины позволяет быстро выбрать одно из трех значений глубины резки. Они также определяются регулировкой ограничителя глубины (10). Для большего значения глубины фасонной резки рекомендуется выполнить несколько последовательных разрезов с более низкими значениями.

- Установите нужную длину разреза, поворачивая барабан-ограничитель глубины (21).

## 5. ОБСЛУЖИВАНИЕ



*При выполнении технического обслуживания убедитесь в том, что инструмент отключен от сети.*

Данный инструмент рассчитан на длительный срок эксплуатации при минимальном обслуживании. Для длительной безотказной работы необходимо обеспечить правильный уход за инструментом и его регулярную очистку.

### Очистка

Регулярно, желательно после каждого использования, протирайте детали корпуса инструмента мягкой тканью. Следите за отсутствием пыли и загрязнений в вентиляционных прорезях и регулярно очищайте их. Если грязь не удаляется, воспользуйтесь мягкой тканью, смоченной в мыльном растворе. Никогда не используйте для очистки инструмента такие растворители, как бензин, спирт, нашатырный спирт и т.д. Эти растворители могут повредить пластмассовые детали.

### Диагностика и устранение неисправностей

На следующей странице приводятся некоторые возможные причины и способы устранения неисправностей.

#### 1 Выключатель находится во включенном положении, но двигатель не работает

- Электрический контур поврежден
  - Починить электрический контур
- Плохой контакт проводов штепсельной вилки или розетки
  - Проверить и, при необходимости, починить штепсельную вилку и розетку
- Выключатель неисправен
  - Починить выключатель

#### 2 Фасонно-фрезерный станок работает медленно

- Фреза затупилась или повреждена
  - Заточить или заменить фрезу
- Установлено низкое значение скорости
  - Задать более высокую скорость
- Перегрузка двигателя
  - Снизить толкающее усилие на фасонно-фрезерный станок

#### 3 Чрезмерная вибрация

- Пognута фрезерная оправка
  - Заменить фрезу

#### 4 Искрение внутри корпуса

- Изношены угольные щетки
  - Заменить угольные щетки

### Неисправности

При возникновении неисправности, например, вследствие износа детали, обратитесь в сервисный центр по адресу, указанному в гарантийном формуляре. В комплект поставки входит пространственное изображение деталей и сборки изделия с указанием деталей, которые можно заказать.

## ОКРУЖАЮЩАЯ СРЕДА

Для предотвращения повреждений инструмента во время транспортировки, он поставляется в прочной упаковке. Большинство материалов упаковки подлежат повторной переработке. Их необходимо передать в соответствующие пункты повторной переработки.



*Неисправный или более непригодный для использования инструмент необходимо сдать в соответствующие пункты для переработки.*

### Только для стран ЕС

Не выбрасывайте электроинструмент вместе с бытовым мусором. В соответствии с Европейским руководством 2012/19/EU по "Утилизации электрического и электронного оборудования" и национальными законодательными актами электроинструмент, который больше не используется, необходимо собирать отдельно и утилизировать безопасным для окружающей среды образом.

## ГАРАНТИЯ

Гарантийные условия см. на прилагаемом гарантийном талоне.

**Изделие и руководство пользователя могут быть изменены. Технические характеристики могут быть изменены без дальнейшего уведомления.**

## ФАСОННО-ФРЕЗЕРНИЙ ВЕРСТАТ PRM1015

Дякуємо вам за купівлю продукту компанії Ferm. Здійснюючи купівлю, ви отримуєте відмінний товар від одного з ведучих постачальників у Європі. Усі продукти від компанії Ferm виготовлені у відповідності до найвищих стандартів продуктивності та безпеки. Ми надаємо покупцю послуги найвищої якості, засвідчені гарантією на виріб у цілому. Сподіваємось, ви будете користуватися даним продуктом протягом багатьох років.



*Для власної безпеки та для безпеки інших людей, будь ласка, уважно прочитайте ці інструкції перед використанням цього пристрою. Це допоможе Вам краще зрозуміти цей продукт та уникнути непотрібних ризиків. Зберігайте це керівництво в надійному місці для подальшого використання.*

### Введення

Цей фасонно-фрезерний верстат було розроблено для фасонного фрезерування деревини та дерев'яних виробів. Перевірте машину, від'єднані деталі та обладнання на предмет пошкодження під час транспортування.

### Зміст

1. Технічні характеристики машини
2. Інструкції щодо безпеки
3. Зборка
4. Використання
5. Технічне обслуговування

## 1. ТЕХНІЧНІ ХАРАКТЕРИСТИКИ МАШИНИ

### Технічні специфікації

Напруга	230 В~
Частота	50 Гц
Вхідна потужність	1300 Вт
Швидкість без навантаження	9000-30000/хв
Глибина розрізання	60 мм
Цанговий патрон	6 і 8 мм
Вага	3,57 кг
Lpa (тиск звуку)	87,9+3 дБ(А)
Lwa (потужність звуку)	98,9+3 дБ(А)
Вібрація лівої рукоятки	3,509+1.5 м/с <sup>2</sup>
Вібрація правої рукоятки	2,441+1.5 м/с <sup>2</sup>

### Рівень вібрації

Рівень вібрації, зазначений в кінці даного посібника з експлуатації, було виміряно у відповідності зі стандартизованим випробуванням, що міститься в EN 60745; дана характеристика може використовуватися для порівняння одного інструмента з іншим, а також для попередньої оцінки впливу вібрації під час застосування даного інструмента для вказаних цілей.

- при використанні інструмента в інших цілях або з іншими/несправними допоміжними пристосуваннями рівень впливу вібрації може значно підвищуватися.
- у періоди, коли інструмент вимкнений або функціонує без фактичного виконання роботи, рівень впливу вібрації може значно знижуватися.

захищайте себе від впливу вібрації, підтримуючи інструмент і його допоміжні пристосування в справному стані, підтримуючи руки в теплі, а також правильно організовуючи свій робочий процес.

### Вміст упаковки

- 1 Фасонно-фрезерний верстат
- 1 Паралельна направляюча
- 1 Набір вугільних щіток
- 1 Направляюча шаблона
- 1 Адаптер для пиловловлювання
- 1 Гайковий ключ
- 1 Шестигранний ключ 4мм
- 1 Цанговий патрон 8 мм (встановлений на машину)
- 1 Цанговий патрон 6 мм
- 6 Вставки фасонно-фрезерного верстату
- 1 Інструкції з техніки безпеки
- 1 Інструкція з експлуатації
- 1 Гарантійний талон

### Інформація щодо продукту

#### Мал. А, В

1. Перемикач Вкл./Викл.
2. Рукоятка
3. Опорна плита
4. Фіксуючі гвинти для паралельних обмежувачів
5. Кнопка блокування вимикача
6. Гайка цангового патрону
7. Замок шпинделя
8. Кнопка налаштування глибини занурення
9. Смушковий болт для обмежувача глибини
10. Обмежувач глибини

11. Стопорний важіль
12. Шкала глибини занурення
13. Налаштувальне колесо для електронного контролю швидкості
14. Гайковий ключ
15. Кнопка точного налаштування глибини занурення
16. Пристрій для пиловловлювання
17. Лінійка для паралельних обмежувачів
18. Нульова відмітка
19. Паралельні обмежувачі
20. Направляюча штанга
21. Барабанний обмежувача глибини
22. Гвинти
23. Направляюча шаблона
24. Пиловий адаптер
25. Трубка для пиловловлювання

## 2. ІНСТРУКЦІЇ ЩОДО БЕЗПЕКИ

В цих інструкціях використовуються наступні символи:



*Уважно прочитайте інструкції.*



*Небезпека для життя та ризик травми, а також ризик пошкодження машини у випадку недотримання інструкцій з техніки безпеки, викладених в цьому керівництві.*



*Небезпека ураження електричним струмом.*



*Витягніть вилку з розетки мережі живлення.*



*Різний контроль швидкості.*



*Одягніть засоби безпеки для очей та вух.*



*Одягніть протипилову маску.*



*Одягніть захисні рукавиці.*

### Додаткові інструкції щодо безпеки

- Будь ласка, перевірте деталі на наявність нерівностей поверхні матеріалу, наприклад, виступаючі цвяхи тощо, щоб захистити голівку фасонно-фрезерного верстату.
- Зачекайте, доки фасонно-фрезерний верстат повністю зупиниться перед тим, як видаляти матеріал, що блокує фрезу. Для цього використовуйте довгу палку, ніколи не робіть це пальцями.
- Будь ласка, тримайте руки подалі від фрезувальної поверхні.
- Негайно вимкніть інструмент, якщо він починає утворювати незвичайний звук або починає надмірно вібрувати.
- Будь ласка, перед використанням інструменту перевірте, що всі деталі добре закріплені, всі приладдя зняті тощо.



*Завжди перевіряйте, щоб електричне живлення відповідало напрузі, зазначеній на таблиці з паспортними даними.*



*Ваша машина має подвійну ізоляцію, тому заземлення не є необхідним.*

- Негайно викиньте старі кабелі та штепсельні вилки після їхньої заміни. Небезпечно вставляти штепсельну вилку вільного кабелю в розетку на стіні.
- Використовуйте тільки перевірені кабельні подовжувачі для електричного живлення машини. Мінімальний розмір провідника 1.5 мм<sup>2</sup>. Під час використання кабельного барабану завжди повністю розмотуйте барабан.



*Перед установкою допоміжного обладнання завжди вимикайте інструмент з розетки.*



*Перед заміною фрези зачекайте, доки машина повністю зупиниться та фреза повністю охолоне.*

## 3. ЗБОРКА

### Вибір вставок фасонно-фрезерного верстату

Існують різноманітні за дизайном та

властивостями вставки для різних способів застосування:

Вставки фасонно-фрезерного верстату зі швидкоріжучої інструментальної сталі підійдуть для роботи з м'якими матеріалами, наприклад, м'яка деревина або пластмаса.

Вставки зі твердосплавним кінцем особливо підійдуть для твердих та абразивних матеріалів, наприклад, тверда деревина та алюміній.

### Встановлення та знімання фрез

#### Мал. С

Використовуйте лише фрези з таким діаметром хвостовика, що відповідає розміру цангового патрону. Використовуйте лише фрези, що підходять для максимальної швидкості машини. Діаметр фрези не повинен перевищувати максимального діаметру (див. "Технічні специфікації").

Ніколи не затискайте гайку цангового патрону, якщо вставка верстату не вставлена в патрон; інакше цанговий патрон можна пошкодити.

- Натисніть затиск шпинделя (7) і повертайте гайку цангового патрону (6), доки він не установиться в затиск. Тримайте затиск шпинделя натиснутим під час цієї процедури.
- Відкрутіть гайку цангового патрону за допомогою гайкового ключа (14).
- Вставте хвостовик фрези в цанговий патрон.
- Закріпіть гайку цангового патрону так, щоб добре закріпити фрезу.
- Відкрутіть гайку цангового патрону, коли Ви бажаєте замінити фрезу.

### Налаштування лінійки паралельних обмежувачів

Паралельні обмежувачі - корисний інструмент для точного вирізання на зафіксованій відстані від краю заготовки.

- Вставте необхідну фрезу в інструмент.
- Перемістіть паралельні обмежувачі за допомогою направляючих штанг до опорної плити та закріпіть на необхідній відстані за допомогою стопорних болтів.

### Встановлення направляючої шаблону

#### Мал. D

Направляюча шаблону з корисною при роботі з шаблоном.

- Встановіть направляючу шаблону (23) на основу верстату (3) за допомогою гвинтів (22).

1 – 2 = низька швидкість  
 3 – 4 = середня швидкість  
 5 – 6 = висока швидкість  
 Макс = максимальна швидкість

### Встановлення адаптеру для пиловловлювання

#### Мал. Е

Використовуйте адаптер пиловловлювання для видалення пилу. Якщо адаптер не встановлений на машину, виконайте наступні інструкції:

- Встановіть адаптер пиловловлювання (24) за допомогою гвинтів (22) на основу фрези (3).
- Встановіть трубку пиловловлювання (25) в отвір видалення пилу (16).
- Надіньте трубку свого пілососа на трубку пиловловлювання (25).



*Утримуйте отвір для видалення пилу машини в задній частині машини, щоб добре бачити заготовку.*

## 4. ВИКОРИСТАННЯ

### Включення і вимкнення (рис. В)

- Щоб увімкнути апарат, натисніть Затискне Кнопка (5), а потім натисніть кнопку ВКЛ / виключення (1).
- Щоб вимкнути машину, відпустіть вкл / вкл вимикач (1).

### Поради щодо використання

- Після ввімкнення машини переконайтесь, що машина досягла повної швидкості перед піднесенням його до інструменту.
- Закріпіть виріб та переконайтесь, що він не зможе вислизнути з під машини під час роботи по різанню.
- Міцно тримайте машину та пересувайте її рівномірно над виробом. Не прикладайте до приладу зайвих зусиль.
- Використовуйте лише фрези, які не мають ознак зношування. Використання зношених фрез негативно впливає на ефективність роботи приладу.
- Завжди вимикайте машину перед тим, як вийняти вилку з настінної розетки.

### Вибір швидкості

Необхідна швидкість обирається за допомогою дискового перемикача. Також можна налаштувати швидкість під час роботи.

Необхідна швидкість залежить від матеріалу та визначається практичним використанням. Крім того, вставки верстату з більшим діаметром вимагають меншої швидкості.

Матеріал	Діаметр Вставка фасонно-фрезерного верстату	Рівні швидкості
Тверда деревина	>20 mm	1 – 2
	10 – 20 mm	3 – 4
	<10 mm	5 – макс.
М'яка деревина	>20 mm	1 – 3
	10 – 20 mm	3 – 6
	<10 mm	5 – макс.
Алюміній	>15 mm	1
	<15 mm	1 – 2
Пластмаса	>15 mm	1 – 2
	<15 mm	2 – 3

Після тривалих періодів роботи при низькій швидкості дозвольте машині охолонути, запустивши її на кілька хвилин при високій швидкості без навантаження.

### Налаштування висоти колони фрезерного верстату

#### Мал. F+B

Стопорний важіль (11) використовується для встановлення максимальної високи фрезерного верстату. Після цього фіксується глибина занурення. Це є необхідним при використанні інструменту на спеціальному столі.

Переконайтесь, що колона верстату не заблокована.

Верстат можна перемістити донизу за допомогою сили стиснення пружини. Заблокуйте колону верстату за допомогою стопорного важеля

Після цього фасонно-фрезерний верстат є заблокованим та не буде повертатися до вихідного положення.

## Встановлення глибини занурення

### Мал. F+B

Глибина занурення регулюється за допомогою кнопок 8, 9, 11 та 15. Якщо глибина занурення встановлена вірно, відповідний паз буде прорізаний з точністю до 0,1 мм.

#### Підготовка:

- Вставте необхідну фрезу в інструмент. Верстат можна перемістити донизу за допомогою сили стиснення пружини.
- Натисніть на інструмент, щоб він торкнувся заготовки, потім зафіксуйте його за допомогою стопорного важеля (11).
- Відпустіть кнопку 9.
- Встановіть кнопку 15 на нуль.
- Використовуйте кнопку 8 для встановлення глибини.
- Затягніть кнопку 9 (за годинниковою стрілкою). Після цього глибина занурення встановлена точно на 0 мм.

#### Грубе налаштування:

- Прочитайте значення на шкалі (12).
- Відпустіть кнопку 9.
- Поверніть кнопку 8 та знов зчитайте значення зі шкали. Різниця між двома значеннями - це і є значенням глибини занурення. Наприклад: якщо значення на шкалі (12) - 8,5 як нульове значення, а значення 7.0 після повороту кнопки (8), то значення глибини занурення становить 1,5 см.
- Знов затягніть кнопку 9.

#### Точне налаштування:

- Відпустіть кнопку 9.
- При цьому верхня кнопка (15) встановлена на нуль. Поверніть цю кнопку на 360 градусів проти годинникової стрілки, доки вона не опиниться знов в нульовому положенні. Глибина занурення після цього становить менше 1,0 мм.
- За необхідності можна встановити глибину занурення з точністю до 0,1 мм.
- Знов затягніть кнопку 9.  
Розблокуйте стопорний важіль (11).

### Налаштування з використанням барабанного обмежувача глибини

Барабанный обмежувач глибини дозволяє швидко обрати одне з трьох різних значень глибини розрізання. Їх можна також визначити за допомогою налаштування обмежувача глибини (10).

Для більших значень глибини фрезування рекомендується виконати кілька послідовних розрізів з меншим значенням знімання шару.

- Налаштуйте глибину розрізання шляхом повороту барабанного обмежувача глибини (21).

## 5. ТЕХНІЧНЕ ОБСЛУГОВУВАННЯ



*Перевіряйте, щоб машина була заглушена під час виконання ремонту двигуна.*

Цей пристрій розроблений таким чином, щоб працювати без проблем на протязі довгого періоду часу з мінімальним ремонтом. Тривала задовільна робота залежить від правильного догляду за машиною та регулярної очистки.

### Очищення

Регулярно очищуйте корпус пристрою м'якою ганчіркою, бажано після кожного використання. Перевіряйте, щоб вентиляційні отвори були вільними від пилу та сміття. Якщо бруд не очищується, використовуйте м'яку тканину змочену мильною водою. Ніколи не використовуйте такі розчинники як бензин, спирт, аміачна вода, і т.д. Ці розчинники можуть пошкодити пластмасові деталі.

### Виявлення несправностей

На наступній сторінці Ви знайдете кілька потенційних проблем та шляхи їх розв'язання.

#### 1 Перемикач знаходиться в положенні Вкл., але двигун не працює

- Електричний ланцюг розірваний
  - *Необхідно полагодити електричний ланцюг*
- Проводи в мережному штепселі не закріплені
  - *Необхідно перевірити та полагодити вилку та розетку*
- Перемикач не працює
  - *Необхідно відремонтувати перемикач*

#### 2 Фасонно-фрезерний верстат працює повільно

- Тупа або пошкоджена фреза
  - *Необхідно загострити або замінити фрезу*
- Змінна швидкість встановлена на низьке значення

- *Збільшіть змінну швидкість*
- Двигун перевантажений
- *Зменшіть силу натиску на верстат*

### 3 Надмірна вібрація

- Зігнутий хвостовик фрези
- *Замініть фрезу*

### 4 Іскри всередині корпусу

- Зношені вугільні щітки
- *Замініть вугільні щітки*

### Дефекти

При виникненні помилки, наприклад, при зношенні деталі, будь ласка, зверніться за адресою на гарантійному талоні. В цьому керівництві наведено покомпонентне зображення з деталями, що можна замовити.

## СЕРЕДОВИЩЕ

Для запобігання пошкоджень приладу під час транспортування прилад постачається в твердій упаковці. Більшість матеріалів для упакування підлягають переробці. Доставте ці матеріали у спеціально призначені для цього місця.



*Пошкоджений та/або забракований електричний або електронний апарат потрібно помістити у відповідне місце для утилізації відходів.*

### Тільки для країн ЄС

Заборонається викидати електроінструменти у побутові відходи. Відповідно до Директиви ЄС 2012/19/EU про відходи електричного і електронного обладнання і її застосуванню до національних законів, електроінструменти, що не підлягають подальшому використанню, необхідно збирати окремо і утилізувати шляхом екологічно нешкідливої переробки.

## ГАРАНТІЯ

Гарантійні умови див. у гарантійному талоні, що постачається окремо.

**Продукт та посібник користувача можуть змінюватися. Технічні характеристики можуть змінюватися без додаткового попередження.**

## POUYTER PRM1015

Σας ευχαριστούμε που επιλέξατε να αγοράσετε αυτό το προϊόν της Ferm. Τώρα πλέον διαθέτετε ένα εξαιρετικό προϊόν, κατασκευασμένο από έναν από τους μεγαλύτερους προμηθευτές της Ευρώπης. Όλα τα προϊόντα που προμηθεύεστε από τη Ferm κατασκευάζονται σύμφωνα με τα υψηλότερα πρότυπα απόδοσης και ασφάλειας. Ως μέρος της φιλοσοφίας μας, παρέχουμε επίσης άριστη εξυπηρέτηση πελατών, συνοδευόμενη από την πλήρη εγγύησή μας. Ελπίζουμε ότι θα μείνετε ευχαριστημένοι από τη χρήση αυτού του προϊόντος για πολλά χρόνια.



*Για τη δική σας ασφάλεια, αλλά και των άλλων, διαβάστε προσεκτικά αυτές τις οδηγίες πριν χρησιμοποιήσετε αυτή τη συσκευή. Θα σας βοηθήσουν να κατανοήσετε πιο εύκολα τη συσκευή σας και να αποφύγετε άσκοπους κινδύνους. Διατηρείτε αυτό το εγχειρίδιο οδηγιών σε ασφαλές μέρος για μελλοντική χρήση.*

### Εισαγωγή

Το ρούτερ έχει σχεδιαστεί για φρεζάρισμα ξύλου και προϊόντων ξύλου. Ελέγξτε τη συσκευή, για χαλαρά εξαρτήματα και τα αξεσουάρ για ενδεχόμενη ζημιά κατά τη μεταφορά.

### Περιεχόμενα

1. Προδιαγραφές συσκευής
2. Οδηγίες ασφαλείας
3. Συναρμολόγηση
4. Λειτουργία
5. Συντήρηση

## 1. ΠΡΟΔΙΑΓΡΑΦΕΣ ΣΥΣΚΕΥΗΣ

### Τεχνικές προδιαγραφές

Τάση	230 V~
Συχνότητα	50 Hz
Κατανάλωση ισχύος	1300 W
Στροφές χωρίς φορτίο	9000-30000/min
Βάθος κοπής	60 mm
Φωλιά ασφάλισης	6 & 8 mm
Βάρος	3,57 κιλά
Lpa (πίεση ήχου)	87,9+3 dB(A)
Lwa (ισχύς ήχου)	98,9+3 dB(A)
Επίπεδο δονήσεων-αριστερή λαβή	3,509+1.5 m/s <sup>2</sup>
Επίπεδο δονήσεων-δεξιά λαβή	2,441+1.5 m/s <sup>2</sup>

### Επίπεδο κραδασμών

Το επίπεδο παραγωγής κραδασμών που αναγράφεται στ πίσω μέρος του παρόντος εγχειριδίου οδηγιών έχει μετρηθεί σύμφωνα με μια τυποποιημένη δκιμή που αναφέρεται στο πρότυπο EN 60745 - μπορεί να χρησιμοποιηθεί για τη σύγκριση ενός εργαλείου με ένα άλλο, καθώς και ως προκαταρκτική αξιολόγηση της έκθεσης στους κραδασμούς όταν το εργαλείο χρησιμοποιείται για τις εφαρμογές που αναφέρονται.

- η χρήση του εργαλείου για διαφορετικές εφαρμογές ή με διαφορετικά ή κακοσυντηρημένα εαρτήματα μπορεί να αυξήσει σημαντικά το επίπεδο έκθεσης.
- όταν το εργαλείο είναι απενεργοποιημένο ή δυλεύει αλλά δεν εκτελεί την εργασία, το επίπεδο έκθεσης μπορεί να μειωθεί σημαντικά.

! προστατευτείτε απο τις επιδράσεις των κραδασμών συντηρώντας σωστά το εργαλείο και τα εξαρτήματά του, διατηρώντας τα χέρια σας ζεστά και οργανώνοντας τον τρόπο εργασίας σα.

### Περιεχόμενα συσκευασίας

- 1 ρούτερ
- 1 παράλληλος οδηγός
- 1 σετ ψηκτρών άνθρακα
- 1 οδηγός σχεδίων
- 1 προσαρμογέας εξαγωγής σκόνης
- 1 γερμανικό κλειδί
- 1 κλειδί άλεν 4 mm
- 1 φωλιά ασφάλισης 8 mm (συναρμολογημένη στη συσκευή)
- 1 φωλιά ασφάλισης 6 mm
- 6 κοπτικά για ρούτερ
- 1 σετ οδηγιών ασφαλείας
- 1 σετ οδηγιών χρήσης
- 1 κάρτα εγγύησης

### Πληροφορίες για το προϊόν

#### Σχ. Α, Β

1. Διακόπτης On/off
2. Λαβή
3. Πλάκα βάσης
4. Βίδες στερέωσης για παράλληλο οδηγό
5. Κουμπί ασφάλισης διακόπτη
6. Παξιμάδι φωλιάς
7. Κλείδωμα ατράκτου
8. Κουμπί ρύθμισης βάθους βύθισης
9. Χειρόβιδα για στοπ βάθους
10. Στοπ βάθους
11. Μοχλός ασφάλισης

12. Κλίμακα βάθους βύθισης
13. Τροχός ρύθμισης για ηλεκτρονικό έλεγχο στροφών
14. Γερμανικό κλειδί
15. Κουμπί μικρορύθμισης βάθους βύθισης
16. Σύστημα εξαγωγής σκόνης
17. Κανόνας παράλληλου οδηγού
18. Σημείο μηδέν
19. Παράλληλος οδηγός
20. Ράβδος-οδηγός
21. Περιστροφικό στοπ βάθους
22. Βίδες
23. Οδηγός σχεδίων
24. Προσαρμογέας σκόνης
25. Σωλήνας σκόνης

## 2. ΟΔΗΓΙΕΣ ΑΣΦΑΛΕΙΑΣ

Στις παρούσες οδηγίες χρήσης χρησιμοποιούνται τα ακόλουθα σύμβολα:



Διαβάστε τις οδηγίες προσεκτικά.



Κίνδυνος για τη ζωή και κίνδυνος τραυματισμού καθώς και κίνδυνος ζημιάς στη συσκευή σε περίπτωση μη τήρησης των οδηγιών ασφαλείας στις παρούσες οδηγίες χρήσης.



Κίνδυνος ηλεκτροπληξίας.



Αφαιρέστε το φισ από την πρίζα ρεύματος δικτύου.



Σύστημα ρύθμισης των στροφών.



Φοράτε προστασία για ακοή και μάτια.



Φοράτε μάσκα κατά της σκόνης.



Φοράτε γάντια προστασίας.



### Πρόσθετες οδηγίες ασφαλείας

- Ελέγχετε τα κατεργαζόμενα τεμάχια για τυχόν εμπόδια στην επιφάνεια του υλικού, όπως προεξέχοντα καρφιά κλπ., ώστε να προστατεύσετε την κεφαλή του ρούτερ.
- Περιμένετε να σταματήσει τελείως το ρούτερ πριν αφαιρέσετε τυχόν υλικό που έχει σφηνώσει ή έχει συσσωρευτεί γύρω από το κοπτικό. Για το σκοπό αυτό χρησιμοποιήστε ένα μακρύ ξύλο και ποτέ το δάκτυλό σας.
- Κρατάτε τα χέρια σας μακριά από την κατεργαζόμενη επιφάνεια.
- Απενεργοποιήστε αμέσως το εργαλείο αν αρχίσει να παράγει ασυνήθιστο θόρυβο ή να δονείται υπερβολικά.
- Πριν τη λειτουργία ελέγχετε ότι όλα τα εξαρτήματα είναι ασφαλή, τα εργαλεία έχουν αφαιρεθεί κλπ.



*Διασφαλίζετε πάντα ότι η παροχή ρεύματος συμφωνεί με την τάση που αναφέρεται στην πινακίδα τεχνικών στοιχείων.*



*Η συσκευή σας διαθέτει διπλή μόνωση και επομένως δεν απαιτείται γείωση.*

- Απορρίπτετε άμεσα παλιά καλώδια ή φις όταν έχουν αντικατασταθεί από νέα. Είναι επικίνδυνο να συνδεθεί σε πρίζα ρεύματος το φις μη συνδεδεμένου καλωδίου.
- Χρησιμοποιείτε μόνο εγκεκριμένα καλώδια επέκτασης που είναι κατάλληλα για την ηλεκτρική ισχύ που απαιτεί το μηχάνημα. Το ελάχιστο μέγεθος αγωγού είναι 1,5 mm<sup>2</sup>. Όταν χρησιμοποιείτε καρούλι καλωδίου, να το ξετυλίγετε πάντα εντελώς.



*Πριν την τοποθέτηση ενός αξεσουάρ αποσυνδέετε πάντα το εργαλείο από την πρίζα.*



*Περιμένετε να ακινητοποιηθεί πλήρως η συσκευή και να κρυώσει το κοπτικό πριν την αντικατάσταση του κοπτικού.*

## 3. ΣΥΝΑΡΜΟΛΟΓΗΣΗ

### Επιλογή κοπτικού για ρούτερ

Ανάλογα με την επεξεργασία και την εφαρμογή, διατίθενται κοπτικά για ρούτερ σε ποικιλία

σχεδίων και ποιοτήτων:

Τα κοπτικά από χάλυβα υψηλής ταχύτητας (HSS) είναι κατάλληλα για εργασία με μαλακά υλικά, όπως μαλακό ξύλο και πλαστικό.

Τα κοπτικά με μύτη καρβιδίου (HM) είναι ιδιαίτερα κατάλληλα για σκληρά και λειαντικά υλικά, όπως σκληρό ξύλο και αλουμίνιο.

### Τοποθέτηση και αφαίρεση κοπτικών

#### Σχ. C

Χρησιμοποιείτε μόνο κοπτικά με διάμετρο άξονα που αντιστοιχεί στο μέγεθος της φωλιάς. Χρησιμοποιείτε μόνο κοπτικά κατάλληλα για το μέγιστο αριθμό στροφών της συσκευής. Η διάμετρος του κοπτικού δεν πρέπει να υπερβαίνει τη μέγιστη διάμετρο (βλ. 'Τεχνικές προδιαγραφές'). Ποτέ μη σφίγγετε το παξιμάδι της φωλιάς αν δεν έχει τοποθετηθεί κοπτικό. Μπορεί να προκληθεί ζημιά στη φωλιά.

- Πιέστε την ασφάλιση ατράκτου (7) και περιστρέψτε το παξιμάδι της φωλιάς (6) έως ότου πιάσει στην ασφάλιση. Στη διάρκεια αυτής της διαδικασίας διατηρήστε πιεσμένη την ασφάλιση ατράκτου.
- Ανοίξτε το παξιμάδι της φωλιάς με τη βοήθεια του γερμανικού κλειδιού (14).
- Τοποθετήστε τον άξονα του κοπτικού μέσα στη φωλιά.
- Σφίξτε το παξιμάδι της φωλιάς ώστε το κοπτικό να ασφαλιστεί σωστά.
- Ανοίξτε το παξιμάδι της φωλιάς όταν θέλετε να αντικαταστήσετε ένα κοπτικό.

### Ρύθμιση του κανόνα του παράλληλου οδηγού

Ο παράλληλος οδηγός είναι ένα χρήσιμο βοήθημα για φρεζάρισμα ακριβείας σε σταθερή απόσταση από την άκρη του κατεργαζόμενου τεμαχίου.

- Τοποθετήστε στο εργαλείο το επιθυμητό κοπτικό.
- Σύρετε τον παράλληλο οδηγό με τις ράβδους-οδηγούς προς τα μέσα στην πλάκα βάσης και σφίξτε με τις χειρόβιδες στην επιθυμητή απόσταση.

### Τοποθέτηση του οδηγού σχεδίου

#### Σχ. D

Ο οδηγός σχεδίων είναι ένα πρακτικό βοήθημα για κοπή ενός σχεδίου.

- Στερεώστε τον οδηγό σχεδίων (23) πάνω στη βάση του ρούτερ (3) με τις βίδες (22).

## Στερέωση του προσαρμογέα εξαγωγής σκόνης

### Σχ. Ε

Για την απαγωγή της σκόνης χρησιμοποιείτε τον προσαρμογέα σκόνης. Σε περίπτωση που ο προσαρμογέας δεν είναι στερεωμένος στη συσκευή, ακολουθήστε τις παρακάτω οδηγίες:

- Τοποθετήστε τον προσαρμογέα σκόνης (24) με τις βίδες (22) στη βάση του κοπτικού (3).
- Τοποθετήστε το σωλήνα σκόνης (25) στην έξοδο σκόνης (16).
- Τοποθετήστε το σωλήνα της ηλεκτρικής σας σκούπας στο σωλήνα σκόνης (25).



*Για καλή ορατότητα προς το κατεργαζόμενο τεμάχιο διατηρείτε την έξοδο της συσκευής πίσω από τη συσκευή.*

## 4. ΛΕΙΤΟΥΡΓΙΑ

### Ενεργοποίηση και απενεργοποίηση (εικ. Β)

- Για να ενεργοποιήσετε το μηχάνημα, πιέστε προς τα εμπρός το κουμπί (5) ασφάλισης σε απενεργοποιημένη κατάσταση και κατόπιν πιέστε το διακόπτη ενεργοποίησης/ απενεργοποίησης (1).
- Για να απενεργοποιήσετε το μηχάνημα, ελευθερώστε το διακόπτη On/off (1).

### Πρακτικές συμβουλές χρήσης

- Μετά την ενεργοποίηση της συσκευής, βεβαιωθείτε ότι η συσκευή έχει επιτύχει τις πλήρεις στροφές λειτουργίας πριν τη χρησιμοποιήσετε στο κατεργαζόμενο τεμάχιο.
- Σφίξτε το κατεργαζόμενο τεμάχιο για να βεβαιωθείτε ότι δεν μπορεί να γλιστρήσει από κάτω από το μηχάνημα κατά τις διαδικασίες κοπής.
- Κρατάτε το μηχάνημα σταθερά και μετακινείτε το ομαλά πάνω στο κατεργαζόμενο τεμάχιο. Μην ασκείτε υπερβολική δύναμη προώθησης στο μηχάνημα.
- Χρησιμοποιείτε μόνο κοπτικά που δεν εμφανίζουν ίχνη φθοράς. Τα φθαρμένα κοπτικά έχουν αρνητική επίδραση στην απόδοση της συσκευής.
- Πάντα απενεργοποιείτε τη συσκευή πριν αφαιρέσετε το φινι από την πρίζα.

### Προεπιλογή στροφών

Ο απαιτούμενος αριθμός στροφών μπορεί να προεπιλεγεί με τον τροχό ρύθμισης. Επίσης η ταχύτητα περιστροφής να ρυθμιστεί και κατά τη διάρκεια της λειτουργίας.

- 1 – 2 = χαμηλές στροφές
- 3 – 4 = μεσαίες στροφές
- 5 – 6 = υψηλές στροφές
- Max = μέγιστες στροφές

Ο απαιτούμενος αριθμός στροφών εξαρτάται από το υλικό και μπορεί να προσδιοριστεί με δοκιμές στην πράξη. Επιπλέον, έχετε υπόψη σας ότι τα κοπτικά μεγάλης διαμέτρου απαιτούν χαμηλότερη ταχύτητα περιστροφής.

Υλικό	Διάμετρος Κοπτικό για ρούτερ	Βαθμίδα στροφών
Σκληρό ξύλο	>20 mm	1 – 2
	10 – 20 mm	3 – 4
	<10 mm	5 – max
Μαλακό ξύλο	>20 mm	1 – 3
	10 – 20 mm	3 – 6
	<10 mm	5 – max
Αλουμίνιο	>15 mm	1
	<15 mm	1 – 2
Πλαστικό	>15 mm	1 – 2
	<15 mm	2 – 3

Μετά από παρατεταμένες περιόδους εργασίας σε χαμηλές στροφές, επιτρέπεται στη συσκευή να κρυώσει αφήνοντάς τη να λειτουργήσει για λίγα λεπτά σε υψηλές στροφές χωρίς φορτίο.

### Ρύθμιση ύψους της στήλης του ρούτερ

#### Σχ. F+B

Ο μοχλός ασφάλισης (11) χρησιμοποιείται για τη ρύθμιση του μέγιστου ύψους του ρούτερ. Κατόπιν ρυθμίζεται το βάθος βύθισης. Αυτό είναι συνήθως απαραίτητο όταν χρησιμοποιείτε το εργαλείο σε ειδικό τραπέζι για ρούτερ. Βεβαιωθείτε ότι η στήλη του ρούτερ δεν είναι ασφαλισμένη.

Μπορείτε να στρώσετε το ρούτερ προς τα κάτω αντίθετα με τη δύναμη που ασκεί το ελατήριο. Ασφαλίστε τη στήλη του ρούτερ χρησιμοποιώντας το μοχλό ασφάλισης.

Τώρα το ρούτερ είναι ασφαλισμένο και δεν θα επιστρέψει πια στην αρχική του θέση.

## Ρύθμιση του βάθους βύθισης

### Σχ. F+B

Το βάθος βύθισης μπορεί να ρυθμιστεί με τα κουμπιά 8, 9, 11 και 15. Αν το βάθος βύθισης έχει ρυθμιστεί σωστά, το φρεζάρισμα της εντομής μπορεί να γίνει με ακρίβεια 0,1 mm.

#### Προετοιμασία:

- Τοποθετήστε στο εργαλείο το επιθυμητό κοπτικό.  
Μπορείτε να σπρώξετε το ρούτερ προς τα κάτω, αντίθετα με τη δύναμη που ασκεί το ελατήριο.
- Σπρώξτε το εργαλείο προς τα κάτω έως ότου το κοπτικό έλθει σε επαφή με το τεμάχιο κατεργασίας και κατόπιν ασφαλίστε το με το μοχλό ασφάλισης (11).
- Χαλαρώστε το κουμπί 9.
- Θέστε το κουμπί 15 στο μηδέν.
- Χρησιμοποιήστε το κουμπί 8 για να ρυθμίσετε το βάθος έως το τέρμα.
- Σφίξτε το κουμπί 9 (δεξιόστροφα). Το βάθος βύθισης τώρα έχει οριστεί ακριβώς σε 0 mm.

#### Χονδρική ρύθμιση:

- Διαβάστε την τιμή από την κλίμακα (12).
- Χαλαρώστε το κουμπί 9.
- Περιστρέψτε το κουμπί 8 και διαβάστε πάλι την τιμή από την κλίμακα. Η διαφορά ανάμεσα στις δύο τιμές είναι η ρύθμιση του βάθους βύθισης. Για παράδειγμα: Αν η τιμή της κλίμακας (12) είναι 8,5 στη μηδενική ρύθμιση και η τιμή είναι 7,0 αφού έχετε περιστρέψει το κουμπί (8), τότε το βάθος βύθισης έχει οριστεί σε 1,5 cm.
- Σφίξτε πάλι το κουμπί 9.

#### Μικρορύθμιση:

- Χαλαρώστε το κουμπί 9.
- Το πάνω κουμπί (15) είναι ακόμη στο μηδέν. Περιστρέψτε αυτό το κουμπί μια πλήρη στροφή αριστερόστροφα έως ότου επανέλθει στη θέση μηδέν. Τώρα το βάθος βύθισης είναι 1,0 mm λιγότερο.
- Αν απαιτείται, το βάθος βύθισης μπορεί να ρυθμιστεί με ακρίβεια έως 0,1 mm.
- Σφίξτε πάλι το κουμπί 9.  
Απασφαλίστε το μοχλό ασφάλισης (11).

## Ρύθμιση με χρήση του περιστροφικού στοπ βάθους

Το περιστροφικό στοπ βάθους σας επιτρέπει να επιλέξετε γρήγορα ανάμεσα σε τρία διαφορετικά βάθη κοπής. Αυτά καθορίζονται επίσης από τη ρύθμιση του στοπ βάθους (10).

Για μεγαλύτερα βάθη κοπής, συνιστάται να

εκτελείτε αρκετές επαναληπτικές κοπές με χαμηλότερους ρυθμούς αφαίρεσης υλικού.

- Ρυθμίστε το επιθυμητό βάθος κοπής περιστρέφοντας το περιστροφικό στοπ βάθους (21).

## 5. ΣΥΝΤΗΡΗΣΗ



*Βεβαιωθείτε ότι το μηχάνημα δεν βρίσκεται υπό τάση όταν εκτελείτε εργασίες συντήρησης στον κινητήρα.*

Οι συσκευές έχουν σχεδιαστεί να λειτουργούν για μεγάλη χρονική περίοδο με ελάχιστη συντήρηση. Η συνεχής ικανοποιητική λειτουργία εξαρτάται από τη σωστή φροντίδα της συσκευής και τον τακτικό καθαρισμό της.

### Καθαρισμός

Καθαρίζετε τακτικά το περιβλήμα της συσκευής με ένα απαλό πανί, κατά προτίμηση μετά από κάθε χρήση. Διατηρείτε τις σχισμές αερισμού απαλλαγμένες από σκόνη και ακαθαρσίες. Εάν οι ακαθαρσίες δεν βγαίνουν, χρησιμοποιήστε ένα μαλακό πανί το οποίο θα έχετε βρέξει ελαφρώς με σαπουνόνερο. Ποτέ μη χρησιμοποιήσετε διαλύτες όπως βενζίνη, οινόπνευμα, διάλυμα αμμωνίας κλπ. Αυτοί οι διαλύτες μπορεί να προξενήσουν ζημιά στα πλαστικά μέρη της συσκευής.

### Αντιμετώπιση προβλημάτων

Στην επόμενη σελίδα θα βρείτε ορισμένες πιθανές αιτίες και λύσεις σε ενδεχόμενη βλάβη.

#### 1 Ο διακόπτης λειτουργίας είναι ενεργοποιημένος, αλλά το μοτέρ δεν λειτουργεί

- Το ηλεκτρικό κύκλωμα έχει διακοπεί
  - Κανονίστε επισκευή του ηλεκτρικού κυκλώματος
- Αγωγοί στο φινι ρευματοληψίας ή στην πρίζα είναι χαλαροί
  - Κανονίστε έλεγχο ή επισκευή πρίζας και φινι
- Υπάρχει βλάβη στο διακόπτη
  - Κανονίστε επισκευή του διακόπτη

#### 2 Το ρούτερ λειτουργεί αργά

- Κοπτικό μη αιχμηρό ή έχει ζημιά
  - Τροχήστε πάλι ή αντικαταστήστε το κοπτικό
- Η ταχύτητα έχει ρυθμιστεί σε χαμηλή τιμή
  - Αυξήστε τη ρύθμιση ταχύτητας
- Το μοτέρ είναι υπερφορτωμένο
  - Μειώστε τη δύναμη πίεσης στο ρούτερ

### 3 Υπερβολικές δονήσεις

- Λυγισμένος κορμός κοπτικού
- Αντικαταστήστε το κοπτικό

### 4 Σπινθήρες μέσα στο περίβλημα

- Είναι φθαρμένες οι ψήκτρες άνθρακα
- Αντικαταστήστε τις ψήκτρες άνθρακα

### Βλάβες

Αν προκύψει κάποια βλάβη, π.χ. μετά από φθορά κάποιου εξαρτήματος, επικοινωνήστε με τη διεύθυνση στην κάρτα εγγύησης. Στη συσκευασία συμπεριλαμβάνεται μια διευρυμένη άποψη που δείχνει τα εξαρτήματα που μπορείτε να παραγγείλετε.

## ΠΕΡΙΒΑΛΛΟΝ

Η συσκευή σας παραδίδεται σε ανθεκτική συσκευασία, για την αποτροπή ζημιάς κατά τη μεταφορά. Τα περισσότερα από τα υλικά της συσκευασίας μπορούν να ανακυκλωθούν. Παραδώστε αυτά τα υλικά στις κατάλληλες τοποθεσίες για ανακύκλωση.



Ηλεκτρικές ή ηλεκτρονικές συσκευές με βλάβη και/ή προς απόρριψη πρέπει να συλλέγονται στις κατάλληλες τοποθεσίες για ανακύκλωση.

### Μόνο για χώρες της ΕΕ

Μην απορρίπτετε ηλεκτρικά εργαλεία στα οικιακά απόβλητα. Σύμφωνα με την Ευρωπαϊκή Οδηγία 2012/19/EU για Απορριπτόμενο Ηλεκτρικό και Ηλεκτρονικό Εξοπλισμό και την εφαρμογή της στο εθνικό δίκαιο, τα ηλεκτρικά εργαλεία που έχουν παύσει να είναι χρησιμοποιήσιμα πρέπει να συλλέγονται ξεχωριστά και να απορρίπτονται με τρόπο φιλικό προς το περιβάλλον.

## ΕΓΓΥΗΣΗ

Μπορείτε να βρείτε τις προϋποθέσεις της εγγύησης στη χωριστά συμπεριλαμβανόμενη κάρτα εγγύησης.

Το προϊόν και το γχειρίδιο χρήσης μπορεί να αλλάξουν. Οι προδιαγραφές μπορούν να τροποποιούνται χωρίς προειδοποίηση.

## آلة التحدید PRM1015

شكراً لك على شراء منتج Ferm هذا.

ويقيامك بعملية الشراء هذه، تمتلك الآن منتجاً ممتازاً مقدماً من إحدى شركات التوريد الزائدة في أوروبا. فقد تم تصنيع جميع المنتجات التي تقدمها إليك شركة Ferm، وفقاً لأعلى معايير الأداء والسلامة. وكجزء من فلسفتنا، نقدم أيضاً خدمة عملاء ممتازة مدعومة بضمان شامل. نأمل أن تستمتع باستخدام هذا المنتج لسنوات عديدة قادمة.

لضمان سلامتك الشخصية وسلامة الآخرين، يرجى قراءة تعليمات الاستخدام هذه بعناية قبل استخدام هذا الجهاز. فسوف تساعدك على فهم المنتج بشكل أكثر سهولة مع تجنب المخاطر غير الضرورية. احتفظ بدليل التعليمات هذا في مكان آمن لاستخدامه في المستقبل.



### مقدمة

لقد تم تصميم أداة التحدید لتحدید الخشب ومنتجات الخشب. افحص الماكينة بحثاً عن الأجزاء والملحقات المفكوكة بحثاً عن الأضرار الناجمة عن النقل.

### المحتويات

1. مواصفات الماكينة
2. تعليمات السلامة
3. التجميع
4. التشغيل
5. الصيانة

## 1. مواصفات الماكينة

### المواصفات الفنية

الجهد	230 فولت~
التردد	50 هرتز
مدخل الطاقة	1300 وات
السرعة بدون حمل	30.000-9.000/الدقيقة
عمق القطع	60 مم
الطوق	8 & 6 مم
الوزن	3.57 كجم
Lpa (مستوى ضغط الصوت)	3+87.9 ديسيبل (أ)
Lwa (مستوى طاقة الصوت)	3+98.9 ديسيبل (أ)
الاهتزاز في المقبض الأيسر	1.5+3.509 م/ث <sup>2</sup>
الاهتزاز في المقبض الأيمن	1.5+2.441 م/ث <sup>2</sup>

### مستوى الاهتزاز

لقد تم قياس مستوى انبعاثات الاهتزاز المنصوص عليها في دليل التعليمات هذا وفقاً للاختبار موحد وارد في EN60745. ويمكن استخدامه لمقارنة أداة واحدة مع أخرى وكنتيجة لتقييم أولي للتعرض للاهتزاز عند استخدام الأداة في التطبيقات المذكورة.

## ٢. تعليمات السلامة

تستخدم الرموز التالية في تعليمات الاستخدام هذه:



اقرأ التعليمات بعناية.



يشير إلى الخطر على الحياة وخطر التعرض للإصابة وكذلك خطر إتلاف الماكينة في حالة عدم الالتزام بتعليمات السلامة الواردة في تعليمات الاستخدام هذه.



خطر الصدمة الكهربائية.



قم بإزالة القابس من مقبس الطاقة الرئيسية.



عنصر التحكم في السرعة المتغيرة.



ارتد واقي الأذن والعين.



ارتد قناع الغبار.



ارتد القفازات الواقية.

### محتويات العبوة

آلة تخديد واحدة

دليل تخديد واحد

مجموعة فرش كربون واحدة

دليل قالب واحد

محول واحد للتخلص من الغبار

مفتاح ربط واحد

مفتاح سداسي واحد مقياس ٤ مم

طوق واحد مقياس ٨ مم (مركب على الماكينة)

طواق واحد مقياس ٦ مم

٦ لقم تخديد

عدد ١ تعليمات سلامة

دليل تعليمات تشغيل واحد

بطاقة ضمان واحدة

### معلومات المنتج

#### الشكل أ، ب

١. مفتاح التشغيل/إيقاف التشغيل

٢. المقبض

٣. اللوح القاعدي

٤. براغي تثبيت الحاجز المتوازي

٥. زر قفل التشغيل

٦. صامولة الطوق

٧. قفل عمود الدوران

٨. زر ضبط عمق القطع الدائري

٩. مسمار مجنح لإيقاف العمق

١٠. مسطرة إيقاف العمق

١١. رافعة التثبيت

٢١. مقياس عمق القطع الدائري

٣١. عجلة الضبط للتحكم في السرعة إلكترونياً

٤١. مفتاح الربط

٥١. زر الضبط الدقيق لعمق القطع الدائري

٦١. وصلة التخلص من الغبار

٧١. مسطرة الحاجز المتوازي

٨١. علامة الصفرة

٩١. الحاجز المتوازي

٠٢. قضيب التخديد

١٢. الأداة الدوارة لإيقاف العمق

٢٢. البراغي

٣٢. دليل القالب

٤٢. محول التخلص من الغبار

٥٢. أنبوب التخلص من الغبار

### تعليمات السلامة الإضافية

- الرجاء فحص قطع العمل بحثاً عن أي عوائق قد تتواجد على سطح المواد، مثل المسامير البارزة أو ما إلى ذلك للحفاظ على رأس آلة التخديد.
- انتظر إلى أن تتوقف آلة التخديد بشكل كامل قبل إزالة أي مواد تجمعة أو تم تخديدها من حول أداة القطع. استخدم عصا طويلة لهذا الغرض، ولا تستخدم أصابعك على الإطلاق.
- الرجاء إبعاد يديك عن سطح التخديد.
- قم بإيقاف تشغيل الأداة على الفور إذا صدر عنها أي ضوضاء غير معتادة أو إذا بدأت في الاهتزاز بشكل مفرط.
- الرجاء التحقق من ثبات كل الأجزاء ومن إزالة كل الأدوات قبل بدء تشغيل الآلة.



قبل تركيب الملحقات، فصل الآلة دائماً عن مصدر الطاقة.



انتظر إلى أن تتوقف الماكينة بشكل كامل وإلى أن تبرد أداة القطع قبل استبدال أداة القطع.

- تخلص بشكل فوري من الكابلات أو القوابس القديمة عندما يلزم استبدالها واستخدام غيرها جديدة. من الخطير تركيب قابس كابل مفكوك في المنفذ الجداري.
- لا تستخدم سوى كابلات الإطالة المعتمدة والمناسبة لإدخال الطاقة للماكينة. الحد الأدنى لمقاس الموصل ١,٥ مم مربع. عند استخدام بكرة كابل، دائماً قم بفك البكرة بشكل كامل.

قبل تركيب الملحقات، افصل الآلة دائماً عن مصدر الطاقة.

انتظر إلى أن تتوقف الماكينة بشكل كامل وإلى أن تبرد أداة القطع قبل استبدال أداة القطع.



### ٣. التجميع

#### اختيار لقم التثبيت

اعتماداً على المعالجة والتطبيق المستخدم، تتيح لقم أداة التثبيت بتصميمات ومستويات جودة متنوعة للغاية: وتتناسب لقم آلة التثبيت المصنوعة من الصلب عالي السرعة (HSS) مع التعامل مع المواد الناعمة، مثل الخشب والبلاستيك. تتناسب لقم آلة التثبيت المغطاة بالكربيد بشكل خاص مع المواد الصلبة والكاشطة، مثل الخشب الصلب والألومنيوم.

#### تركيب أدوات القطع وإزالتها

##### الشكل ج

لا تستخدم إلا أدوات القطع ذات قطر العمود المتناسب مع حجم الطوق. لا تستخدم إلا أدوات القطع التي تتناسب مع الحد الأقصى لسرعة الماكينة. يجب ألا يتجاوز قطر أداة القطع الحد الأقصى للقطر (راجع «المواصفات الفنية»).

لا تربط صامولة الطوق على الإطلاق إذا كانت هناك لقمة تثبيت في الطوق؛ فقد يتلف الطوق.

• اضغط على قفل عمود الدوران (٧) وأدر صامولة الطوق (٦) إلى أن يتم تعشيقها في القفل. استمر في الضغط على قفل عمود الدوران أثناء هذا الإجراء.

- افتح صامولة الطوق باستخدام مفتاح الربط (٤١).
- ضع عمود القطع في الطوق.
- اربط صامولة الطوق بحيث يتم قفل أداة القطع بالشكل الصحيح.
- افتح صامولة الطوق عندما ترغب في استبدال أداة القطع.

#### ضبط مسطرة الحاجز المتوازي

يعد الحاجز المتوازي أداة مفيدة للتثبيت الدقيق بمسافات ثابتة من حافة قطعة العمل.

- ضع أداة القطع المرغوب فيها في الأداة.
- قم بتحريك الموجه المتوازي بحيث تكون قضبان التثبيت موجودة في اللوحة القاعدية واربط حسب المقاس المطلوب باستخدام الصواميل المجنحة

#### تركيب موجه القالب

##### الشكل د

يعد موجه القالب وسيلة مساعدة جيدة للقطع وفقاً لقالب معين.

- قم بتركيب موجه القالب (٣٢) في قاعدة آلة التثبيت (٣) باستخدام البراغي (٢٢).

#### تركيب محول التخلص من الغبار

##### الشكل هـ

استخدم محول التخلص من الغبار للتخلص من الغبار. في حالة عدم تركيب المحول على الماكينة، فاتبع التعليمات الواردة أدناه.

- قم بتركيب محول التخلص من الغبار (٤٢) باستخدام البراغي (٢٢) على الجزء السفلي من أداة القطع (٣).
- ضع أنبوب التخلص من الغبار (٥٢) في مخرج التخلص من الغبار (٦١).
- ضع أنبوب المكثفة الكهربائية على أنبوب التخلص من الغبار (٥٢). ضع المخرج الخاص بالماكينة خلف الماكينة لرؤية قطعة العمل بشكل جيد.

### ٤. التشغيل

#### التشغيل وإيقاف التشغيل (الشكل ب)

- لتشغيل الآلة، اضغط باستمرار على زر إيقاف القفل (٥)، ثم اضغط على مفتاح التشغيل/إيقاف التشغيل (١).
- لإيقاف تشغيل الآلة، حرر مفتاح التشغيل/إيقاف التشغيل (١).

#### إرشادات الاستخدام

- بعد تشغيل الماكينة، تحقق من وصول الماكينة إلى أقصى سرعة لها قبل استخدامها على قطعة العمل.
- قم بتثبيت قطعة العمل وتحقق من أنها لا يمكن أن تنزلق من أسفل الماكينة أثناء إجراء أنشطة القطع.
- امسك الماكينة بإحكام وقم بتحريكها بشكل متسق ومتساوٍ فوق قطعة العمل. لا تضغط على الماكينة.
- لا تستخدم إلا أدوات القطع التي لا تظهر عليها أي آثار للبلبي. يكون لأدوات القطع العالية تأثير سلبي على كفاءة الماكينة.
- أوقف دائماً تشغيل الماكينة أو لا قبل إزالة القابض من المقبس الجداري.

#### الاختيار المسبق للسرعة

يمكن تحديد السرعة المطلوبة بشكل مسبق باستخدام بكرة الإبهام. يمكن أيضاً إجراء الضبط أثناء تشغيل السرعة الدورانية.

- ١ - ٢ = السرعة المنخفضة
- ٣ - ٤ = السرعة المتوسطة
- ٥ - ٦ = السرعة العالية
- Max = السرعة القصوى

تعتمد السرعات المطلوبة على المادة، ويمكن تحديدها من خلال الاختبار العملي. بالإضافة إلى ذلك، فإن لقم التثبيت ذات القطر الكبير تحتاج إلى سرعة دوران أقل.

المادة	قطر لقمة التثبيت	مراحل السرعة
الخشب الصلب	< 20 مم	1 - 2
	10 - 20 مم	3 - 4
الخشب اللين	< 20 مم	1 - 3
	10 - 20 مم	3 - 6
الألومنيوم	< 15 مم	1
	> 15 مم	1 - 2
البلاستيك	< 15 مم	1 - 2
	> 15 مم	2 - 3

بعد فترات طويلة من العمل على السرعات المنخفضة، اجعل الماكينة تبرد من خلال تشغيلها لعدة دقائق على سرعة عالية بدون أحمال

#### أعلى إعداد لعمود آلة التخديد

##### الشكل و + ب

يتم استخدام ذراع الشبك (١١) لضبط الحد الأقصى لارتفاع آلة التخديد. وحينها، يمكن ضبط عمق القطع الدائري. غالبًا ما يكون ذلك ضروريًا عند استخدام الأداة على طاولة تخديد خاصة. تحقق من عدم قفل عمود آلة التخديد. يمكن دفع آلة التخديد لأسفل ضد قوة الزنبرك.

قم بفتح عمود آلة التخديد باستخدام ذراع التثبيت تكون آلة التخديد الآن مثبتة ولن تعود إلى وضعها الأصلي.

#### ضبط عمق القطع الدائري

##### الشكل و + ب

يمكن ضبط عمق القطع الدائري من خلال استخدام الأزرار ٨ و ٩ و ١١ و ٥١. إذا تم ضبط عمق القطع الدائري بشكل صحيح، يمكن أن يتم تخديد الأخدود ذي الصلة بدقة تصل إلى ١,٠ مم.

#### التجهيز:

- ضع أداة القطع المرغوب فيها في الأداة. يمكن دفع آلة التخديد لأسفل ضد قوة الزنبرك.
- اضغط على الأداة لأسفل إلى أن تلمس أداة القطع قطعة العمل، ثم قم بتثبيتها باستخدام ذراع التثبيت (١١).
- قم بفك الزر ٩.
- قم بضغط الزر ٥١ على سفري.
- استخدم الزر «٨» لضبط العمق لأسفل تمامًا.
- اربط الزر ٩ (في نفس اتجاه حركة عقارب الساعة). بذلك يكون عمق القطع الدائري قد تم ضبطه على ٠ مم بدقة.

#### الإعداد التقريب:

- قم بقراءة القيمة من المقياس (٢١).
- قم بفك الزر ٩.
- قم بتدوير الزر ٨ وأعد قراءة القيمة من المقياس. يكون الفرق بين القيمتين هو إعداد عمق القطع الدائري. على سبيل المثال: إذا كانت القيمة على المقياس (٢١) هو ٥,٨ في الإعداد الصفري، بينما كانت القيمة ٠,٧ بعد إدارة الزر (٨)، فهذا يعني أن عمق القطع الدائري قد تم ضبطه على ٥,١ سم.
- أعد ربط الزر ٩.

#### الضبط الدقيق:

- قم بفك الزر ٩.
- الزر العلوي (٥١) ما زال مضبوطاً على الصفري. أدر هذا الزر دورة كاملة عكس اتجاه حركة عقارب الساعة، إلى أن يعود إلى الموضع الصفري مرة أخرى. بذلك يكون عمق القطع الدائري قد تم ضبطه على قيمة أقل بمقدار ٠,١ مم.
- إذا لزم الأمر، يمكن أن يتم ضبط عمق القطع الدائري بدقة إلى قيمة في نطاق ١,٠ مم.
- أعد ربط الزر ٩. فك ذراع التثبيت (١١)

#### الضبط باستخدام مسطرة إيقاف العمق الدوارة

تتيح لك مسطرة إيقاف العمق الدوارة الاختيار بين ثلاثة أعماق مختلفة للضبط. ويتم اختيار تلك الأوضاع كذلك من خلال ضبط مسطرة إيقاف العمق (٠١). لأعماق التخديد الكبيرة، يوصى بتنفيذ عدة عمليات قطع متكررة باستخدام معدلات قطع أقل.

- قم بضغط عمق القطع المطلوب من خلال إدارة مسطرة إيقاف العمق (١٢).

#### ٥. الصيانة

تحقق من عدم توصيل الآلة بمصدر التيار الكهربائي أثناء تنفيذ أعمال الصيانة على الموتور.



لقد تم تصميم هذه الماكينات لكل تعمل لفترات زمنية طويلة مع الحاجة إلى أقل قدر ممكن من الصيانة. يعتمد التشغيل المستمر المرص على الاعتناء بالماكينة بالشكل السليم وعلى التنظيف المنتظم لها.

#### التنظيف

قم بتنظيف مبيت الماكينة بشكل منتظم باستخدام قطعة قماش ناعمة، ويُفضل أن يتم ذلك بعد كل استخدام. حافظ على فتحات التهوية خالية من الغبار والأوساخ. إذا لم تتمكن من إزالة الأوساخ، فاستخدم قطعة قماش ناعمة مرطبة بالمياه والصابون. لا تستخدم المواد المذيبة مثل البنزين والكحول ومياه الأومنيا وما إلى ذلك على الإطلاق. فهذه المواد المذيبة يمكن أن تتلف الأجزاء البلاستيكية.

#### استكشاف المشكلات وإصلاحها

إليك بعض الأسباب المحتملة والحلول الممكنة للأعطال التي يمكن أن تحدث.

#### ١ مفتاح التشغيل قيد التشغيل، إلا أن الموتور لا يعمل

- الدائرة الكهربائية متعطلة
- قم بإصلاح الدائرة الكهربائية
- هناك أسلاك سائبة في القابس أو مقيس مصدر الطاقة
- افحص المقبس والقابس أو قم بإصلاحهما
- المفتاح معيب
- قم بإصلاح المفتاح

#### ٢ آلة التخديد تعمل ببطء

- أداة القطع غير مشحونة أو تالفة
- أعد شحن أداة القطع أو استبدلها
- تم ضبط السرعة المتغيرة على قيمة منخفضة
- قم بزيارة السرعة المتغيرة
- الموتور يتعرض لحمل زائد
- قم بتقليل قوة الضغط على آلة التخديد

#### ٣ اهتزاز فرط

- ساق أداة القطع متني
- استبدل أداة القطع

#### ٤ ظهور شرر داخل المبيت

- فرش الكربون بالية
- استبدل فرش الكربون

**الأعطال**

في حالة حدوث أحد الأعطال، بعد تآكل أحد الأجزاء مثلاً، يُرجى الاتصال بالعنوان الموجود على بطاقة الضمان. مرفق طيه بطريقة عرض تشرح الأجزاء التي يمكن طلبها.

**البيئة**

لمنع تعرض الماكينة للتلف أثناء نقلها، يتم تسليمها لك في حاوية تغليف صلبة. وأغلب مواد التعبئة المستخدمة يمكن إعادة تدويرها. خذ هذه المواد إلى مواقع إعادة التدوير المناسبة.

يجب تجميع الأجهزة الكهربائية أو الإلكترونية المعيبة و/أو المهملة في مواقع إعادة التدوير المناسبة.

**لبلدان الاتحاد الأوروبي فقط**

لا تتخلص من الأدوات الكهربائية في النفايات المنزلية. ووفقاً للتوجيه الأوروبي 2012/19/EU بخصوص نفايات المعدات الكهربائية والإلكترونية وتنفيذها في حق وطني، يجب جمع الأدوات الكهربائية التي لم تعد صالحة للاستعمال بشكل منفصل والتخلص منها بطريقة صديقة للبيئة.

**الضمان**

يمكن العثور على شروط الضمان في بطاقة الضمان المرفقة بشكل منفصل.

المنتج ودليل المستخدم عرضة للتغيير. ويمكن تغيير المواصفات دون إشعار آخر.

**КОНТУРНА ГЛОДАЛКА  
PRM1015**

Благодариме за купувањето на овој FERM производ. Со тоа имате одличен производ, испорачан од еден од водечките добавувачи во Европа. Сите производи доставени од страна на FERM се произведени според највисоките стандарди на перформанси и безбедност. Како дел од нашата филозофија е обезбедување на одличен сервис за клиентите, со поддршка со нашите сеопфатни гаранции. Се надеваме дека ќе уживате користејќи го овој производ многу наредни години.



*За ваша безбедност и за безбедноста на другите, прочитајте ги овие упатства, пред кристеење на уредот. Тоа ќе ви помогне полесно да го разберете производот и да ги избегнете непотребните ризици. Чувајте ги упатствата на сигурно место, за да можете повротно да ги прочитате.*

**Вовед**

Глодалката е наменета за контурно глодање на дрво и дрвени производи. Проверете ја машината, отстегнатите делови и приборот да не се оштетени при транспорт.

**Содржина**

1. Технички податоци за машината
2. Безбедносни упатства
3. Монтажа
4. Ракување
5. Одржување

**1. ТЕХНИЧКИ ПОДАТОЦИ 3  
А МАШИНАТАМАШИНАТА****Technical specifications**

Напон	230 V~
Фреквенција	50 Hz
Влезна моќност	1300 W
Брзина без оптеретување	9000-30000/min
Длабина на сечење	60 mm
Стезна чаура	6 & 8 mm
Тежина	3,57 kg
Лра (звучен притисок)	87.9+3 dB(A)
Lwa (звучна моќност)	98.9+3 dB(A)
Вибрации на левата дршка	3.509+1.5 m/s <sup>2</sup>
Вибрации на десната дршка	2.441+1.5 m/s <sup>2</sup>



### Ниво на вибрации

Нивото на емисијата на вибрациите, наведено во упатството, е измерено во согласност со стандардизиран тест даден во EN 60745; тој може да се користи за споредување на еден алат со друг како и за прелиминарна процена на изложеност на вибрации при користење на алатот во споменатите апликации

- користењето на алатот за различни апликации или со различни или слабо одржуван прибор, може значително да го зголеми нивото на изложеност
- времето кога алатот е исклучен или кога работи но не ја врши работата, може значително да го намали нивото на изложеност.

Заштитете се од ефектите на вибрациите со одржување на алатот и приборот, рацете да ви бидат топли и организирајте ги работните навики.

### Содржина на пакувањето

- 1 Router
- 1 Контурна глодалка
- 1 Паралелена водилка
- 1 Комплет јаглени четкички
- 1 Шаблонска водилка
- 1 Адаптер за одведувач на прашина
- 1 Клуч
- 1 Имбус клуч 4 mm
- 1 Стезна чаура 8 mm (монтирана на машината)
- 1 Стезна чаура 6 mm
- 6 Глодала
- 1 Упатствата за безбедност
- 1 Упатства за ракување
- 1 Гарантна картичка

### Информација за производител

#### Сл. А, В

1. Оп/оф прекинувач
2. Дршка
3. Основна плоча
4. Стезни завртки за паралелен потпирач
5. Забравник за прекинувач
6. Стезна чаура
7. Забравник за вретено
8. Рачка за дотерување на длабина на нурнување
9. Лептиреста завртка за граничник за длабина
10. Граничник за длабина
11. Стезна рачка

12. Скала за длабина за нурнување
13. Тркало за дотерување на електронска контрола на брзина
14. Клуч
15. Копче за фино дотерување на длабина на нурнување
16. Уред за одведување на прашина
17. Скала за паралелниот потпирач
18. Ознака нула
19. Паралелен потпирач
20. Водилна летва
21. Револвер за граничник на длабина
22. Завртки
23. Копирен шаблон
24. Адаптер за прашина
25. Цевка за прашина

## 2. БЕЗБЕДНОСНИ УПАТСТВА

Во овие упатства можат да се најдат следните симболи:



*Прочитајте ги внимателно упатствата.*



*Опасност по животот и ризикот од повреда, као и ризик од оштетување на машината, во случај на непочитување на упатствата за безбедност.*



*Ризик од струен удар.*



*Извлечете го кабелот од струја.*



*Променлива брзина.*



*Носете заштита за уши и очи.*



*Носете маска за заштита од прашина.*



*Носете заштитни очила.*

### Посебни безбедносни упатства

- Проверете го работното парче од било какви пречки по површината, како што се шајки и сл., за да ја заштитите главата на глодалката.
- Почekaјте глодалката да се сопре пред отстранување на блокирање или нафатен материјал околу алатот. Употребете стапче, никогаш прсти.
- Држете ги рацете подалеку од глодачката површина.
- Веднаш исклучете го алатот ако се чује необичен звук или почне претерано да вибрира.
- Пред работа проверете дали се стегнати сите делови, дали се отстранети помошни алати итн.



*Секогаш проверувајте дали напонот на напојувањето одговара на наведениот напон на плочката.*



*Вашата машина е двојно излпрана, поради тоа не е потребно заземјување.*

- Веднаш да ги фрлите старите кабли или приклучници, кога ќе ги замените со нови. Опасно е да ја вклучите приклучницата ако кабелот е лабав.
- Користете само одобрени продолжни кабли погодни за влезната моќност на машината. Најмал попречен пресек е 1,5 mm<sup>2</sup>.
- Кога се користи кабел во ролна, секогаш целосно да го одмотате.



*Пред монтирање на прибор, извлекете го кабелот од струја.*



*Почекајте да се сопре машината и глодалото да се излади, пред да го смените глодалото.*

## 3. МОНТАЖА

### Избор на глодало

Во зависност од обработката и намената, глодалата се достапни во голем број различни изведби и квалитети:

Глодала од брзорезен челик (HSS) се погодни за работа во мекани материјали, како мекано дрво и пластика.

Карбидните глодала (TM) се особено погодни

за тврди и абразивни материјали, како тврдо дрво и алуминиум.

### Монтажа и демонтажа на глодала

#### Сл. С

Користете глодала со пречник на стебло што одговара на големината на стезната чаура. Користете глодала само кои одговараат на максималната брзина на машината. Пречникот на глодалото не треба да е поголем од максималниот пречник (види „Технички податоци“).

Не ја стегајте стезната чаура ако во нејзе нема глодало; може да се оштети чаурата

- Притиснете го забравникот за вретено (7) и вртете ја стезната чаура (6) додека не се забрави. Држете го вретеното забравено за време на постапката.
- Отворете ја стезната чаура со помош на клуч (14).
- Поставете го глодалото во чаурата.
- Стегнете ја чаурата така да биде правилно забравена.
- Отворете ја чаурата кога сакате да го смените глодалото

### Дотерување на скалата за паралелниот потпирач

Паралелниот потпирач е корисен за прецизно глодање на фиксно растојание од работ на работното парче.

- Поставете соодветно глодалото во алатот.
- Турнете ја паралелната водилка со водилната летва во основната плоча и стегнете ја, на потребна мера, со лептирестите завртки.

### Монтажа на шаблонска водилка

#### Сл. D

Шаблонската водилка е корисна за сечење на мостри.

- Монтирајте ја водилката (23) на основата (3), со завртките (22).

### Монтажа на адаптер за одведувач на прашина

#### Сл. E

Користете адаптер за прашина за одведување на прашина. Во случај да не е монтиран адаптерот, следете ги следните упатства.

- Монтирајте го адаптерот за прашина (24), со завртките (22), на папучата на глодалката (3).

- Поставете ја цевката за прашина (25) во излезот (16).
- Поставете цевка од правосмукалка на цевката за прашина (25).



*Држете го излезот на машината зад машината, за добар поглед врз работното парче.*

## 4. РАКУВАЊЕ

### Вклучување и исклучување (сл. В)

- За да го вклучите машина, притиснете го копчето за заклучување-оф копчето (5), а потоа притиснете за вклучување / исклучување (1).
- За да ја исклучите машината, порака за вклучување / исклучување прекинувач (1).

### Корисни совети

- По вклучување на машината, откако ќе достигне полна брзина, користете ја на работното парче.
- Стегнете го работното парче и уверете се дека не може да се лизга за време на сечењето.
- Држете ја машината цврсто и движете ја рамномерно преку работното парче. Не ја форсирајте машината.
- Користете алати кои не се затапени. Истрошените алати имаат негативен ефект врз полезноста на машината.
- Секогаш да ја исклучите машината пред да го извлечете кабелот од мрежата.

### Претходен избор на брзина

Потребната брзина може претходно да се одбере со тркало за избор. Изборот може да се прави и додека алатот работи.

- 1 – 2 = мала брзина  
 3 – 4 = средна брзина  
 5 – 6 = голема брзина  
 Max = максимална брзина

Потребната брзина зависи од материјалот и може да се утврди со практично тестирање. Освен тоа, глодала со голем пречник бараат пониска брзина.

Материјал	Дијаметар Глодало	Степен на брзина
Тврдо дрво	>20 mm	1 – 2
	10 – 20 mm	3 – 4
	<10 mm	5 – max
Мекано дрво	>20 mm	1 – 3
	10 – 20 mm	3 – 6
	<10 mm	5 – max
Алуминијум	>15 mm	1
	<15 mm	1 – 2
Пластика	>15 mm	1 – 2
	<15 mm	2 – 3

После долго работење со мала брзина, изладете ја машината, стартувајќи ја неколку минути со голема брзина, без оптоварување.

### Дотерување на висината на столбот на глодалката

#### Сл. F+B

Стезната рачка (11) се користи за поставување на максималната висина на глодалката.

Длабината на нурнувањето е фиксирана. Ова е потребно при користење на алатот на посебна маса за глодалка.

Уверете се дека столбот на глодалката не е забравен.

Глодалката можете да ја турнете надолу, наспроти силата од пружината.

Забравете го столбот на глодалката користејќи ја рачката за забравување. Глодалката е забравена и не може да се врати во првобитната положба.

### Поставување на длабина на нурнување

#### Сл. F+B

Длабината на нурнување може да се дотерува со помош на копчињата 8, 9, 11 и 15. Ако длабината на нурнување е правилно поставена, тогаш може да се изглода жлеб со точност од 0.1 mm.

Подготовка:

- Поставете соодветно глодалото во алатот.
- Глодалката можете да ја турнете надолу, наспроти силата од пружината.
- Притиснете го алатот надолу, додека глодалото не го допре работното парче, а потоа забравете со лостот за забравување (11).
- Отстегнете го копчето 9.
- Поставете го копчето 15 на 0.

- Користете го копчето 8 за да ја поставите длабината до крај.
- Стегнете го копчето 9 (надесно). Длабината на глодање е поставена со точност од 0 mm.

Грубо поставување:

- Прочитајте ја вредноста од скалата (12).
- Отстегнете го копчето 9.
- Свртете го копчето 8 и повторно прочитајте ја вредноста. Разликата помеѓу двете вредности е поставувањето на длабочината. На пример: Ако вредноста на скалата (12) е 8,5 на 0 поставување, а вредноста е 7 после вртењето на копчето (8), длабочината на нурнување е поставена на 1,5 cm.
- Стегнете го копчето 9.

Фино поставување:

- Отстегнете го копчето 9.
- Горното копче (15) сѐуште е на 0. Свртете го копчето десно, за цел круг, додека не се врати во положба 0. Сега длабочината е помала за 1 mm.
- Ако е потребно, длабочината може да се постави со точност од од 0.1 mm.
- Стегнете го копчето 9.
- Одбравете ја забравната рачка (11).

### Дотерување со користење на револвер за граничник на длабина

Револверот за граничник на длабина овозможува брз избор помеѓу три различни длабини.

Тие се утврдени со дотерување на граничникот за длабина (10).

За поголеми длабини на глодање, се препорачува глодање во повеќе премини.

- Поставете ја потребната длабина со ротирање на револверот за граничник на длабина (21).

## 5. ОДРЖУВАЊЕ



*Уверете се дека машината е исклучена кога го одржувате моторот.*

Оваа машина е конструирана да работи долг период со минимално одржување.

Непрекинатото успешно работење зависи од грижата на машината и редовното чистење.

### Чистење

Редовно чистете го куќиштето со мекана крпа, по можност после секое користење. Чувајте ги отворите за вентилација чисти, без прашина. Ако нечистотијата не се вади, употребете мекана крпа навлажнета со вода со сапуница. Никогаш не користете растворувачи како што е бензин, алкохол, амонијачна вода итн. Овие растворувачи можат да ги оштетат пластичните делови.

### Дефектажа

Најдете некои потенцијални причини и решенија за можни откази.

#### 1 Прекинувачот е вклучен, но моторот не работи

- Електричното коло е прекинато.
  - *Поправете го електричното коло.*
- Жиците во приклучокот или приклучницата се лабави.
  - *Проверете ги и поправете ги приклучокот и приклучницата*
- Прекинувачот е неисправен.
  - *Поправете го прекинувачот.*

#### 2 Глодалката работи полека

- Истапено или оштетено глодало
  - *Наострете го или заменете го глодалото*
- Променливата брзина е поставена ниско
  - *Зголемете ја брзината*
- Моторот е преоптоварен
  - *Намалете ја силата на туркање*

#### 3 Прекумерни вибрации

- Свиткан врат на глодало
  - *Сменете го глодалото*

#### 4 Искри во куќиштето

- Јаглениите четкички се истрошени.
  - *Сменете ги јаглениите четкички*

### Откази

Ако се случи отказ, нпр. поради трошење на дел, обратете се на адресата на сервисот од гарантната картичка.

На позадината на упатството ќе најдете експозиционен преглед со прикажани делови кои можат да се нарачаат.

## ЖИВОТНА СРЕДИНА

За да се спречи оштетување на машината при транспорт, она се испорачува во тврдо пакување. Повеќе материјали за пакување можат да се рециклираат. Однесете ги овие материјали на соодветни локации за рециклирање.



*Дефектни и/или отфрлени електрични или електронски апарати треба да се собираат на соодветни локации за рециклирање.*

### Само за земји од ЕУ

Не ги депонирајте алатите во домашен отпад. Според Европското Упатство 2012/19/ ЕУ за отпадна електрична и електронска опрема и неговата имплементација во националното право, електричните алати кои веќе не се употребливи мораат да се собираат одделно и да се отстрануваат на еколошки начин.

## ГАРАНЦИЈА

Гарантните условите се дадени во посебна гарантна картичка.

**Производот и упатството се предмет на промена. Карактеристиките можат да се променат без натамошно известување.**





---

**Spare parts list****PRM1015**

<b>Article no.</b>	<b>Description</b>	<b>Position no.</b>
409800	Guard	12
409801	Dust extraction	17, 18
409802	Depth adjustment	20 - 24
409803	Collet nut	25
409804	Collet	26
409805	Spindle lock	32 - 34
409806	Speed control	50
409807	Locking lever	51 - 57
409808	Stator	59
409809	Carbon brush cap	62 + 64
409810	Carbon brush set	63
409811	Carbon brush holder	66
409812	Rotor	71
480581	Switch (Lock-off)	80
409814	Guiding rod	89 - 94
409815	Template ring	96









## DECLARATION OF CONFORMITY PRM1015 ROUTER

- (EN) We declare under our sole responsibility that this product is in conformity with directive 2011/65/EU of the European parliament and of the council of 8 June on the restriction of the use of certain hazardous substances in electrical and electronic equipment is in accordance with the following standards and regulations:
- (DE) Der Hersteller erklärt eigenverantwortlich, dass dieses Produkt der Direktive 2011/65/EU des Europäischen Parlaments und des Rats vom 8. Juni 2011 über die Einschränkung der Anwendung von bestimmten gefährlichen Stoffen in elektrischen und elektronischen Geräten entspricht. den folgenden Standards und Vorschriften entspricht:
- (NL) Wij verklaren onder onze volledige verantwoordelijkheid dat dit product voldoet aan de conform Richtlijn 2011/65/EU van het Europees Parlement en de Raad van 8 juni 2011 betreffende beperking van het gebruik van bepaalde gevaarlijke stoffen in elektrische en elektronische apparatuur en in overeenstemming is met de volgende standaarden en reguleringen:
- (FR) Nous déclarons sous notre seule responsabilité que ce produit est conforme aux standards et directives suivants: est conforme à la Directive 2011/65/EU du Parlement Européen et du Conseil du 8 juin 2011 concernant la limitation d'usage de certaines substances dangereuses dans l'équipement électrique et électronique.
- (ES) Declaramos bajo nuestra exclusiva responsabilidad que este producto cumple con las siguientes normas y estándares de funcionamiento: se encuentra conforme con la Directiva 2011/65/UE del Parlamento Europeo y del Consejo de 8 de junio de 2011 sobre la restricción del uso de determinadas sustancias peligrosas en los equipos eléctricos y electrónicos.
- (PT) Declaramos por nossa total responsabilidade de que este produto está em conformidade e cumpre as normas e regulamentações que se seguem: está em conformidade com a Directiva 2011/65/UE do Parlamento Europeu e com o Conselho de 8 de Junho de 2011 no que respeita à restrição de utilização de determinadas substâncias perigosas existentes em equipamento eléctrico e electrónico.
- (IT) Dichiariamo, sotto la nostra responsabilità, che questo prodotto è conforme alle normative e ai regolamenti seguenti: è conforme alla Direttiva 2011/65/UE del Parlamento Europeo e del Consiglio dell'8 giugno 2011 sulla limitazione dell'uso di determinate sostanze pericolose nelle apparecchiature elettriche ed elettroniche.
- (SV) Vi garanterar på eget ansvar att denna produkt uppfyller och följer följande standarder och bestämmelser: uppfyller direktiv 2011/65/EU från Europeiska parlamentet och EG-rådet från den 8 juni 2011 om begränsningen av användning av farliga substanser i elektrisk och elektronisk utrustning.
- (FI) Vakuutamme yksinomaan omalla vastuullamme, että tämä tuote täyttää seuraavat standardit ja säädökset: täyttää Euroopan parlamentin ja neuvoston 8. kesäkuuta 2011 päivätyn direktiivin 2011/65/EU vaatimukset koskien vaarallisten aineiden käytön rajoitusta sähkö- ja elektronisissa laitteissa.
- (NO) Vi erklærer under vårt eget ansvar at dette produktet er i samsvar med følgende standarder og regler: er i samsvar med EU-direktiv 2011/65/EU fra Europa-Parlamentet og Rådet, pr. 8 juni 2011, om begrensning i bruken av visse farlige stoffer i elektrisk og elektronisk utstyr.
- (DA) Vi erklærer under eget ansvar, at dette produkt er i overensstemmelse med følgende standarder og bestemmelser: er i overensstemmelse med direktiv 2011/65/EU fra Europa-Parlamentet og Rådet af 8. juni 2011 om begrænsning af anvendelsen af visse farlige stoffer i elektrisk og elektronisk udstyr.
- (HU) Felelősségnk teljes tudatában kijelentjük, hogy ez a termék teljes mértékben megfelel az alábbi szabványoknak és előírásoknak: je v souladu se směrnicí 2011/65/EU Evropského parlamentu a Rady EU ze dne 8. června 2011, která se týká omezení použití určitých nebezpečných látek v elektrických a elektronických zařízeních.
- (CS) Na naši vlastní zodpovědnost prohlašujeme, že je tento výrobek v souladu s následujícími standardy a normami: Je v souladu s normou 2011/65/EU Evropského parlamentu a Rady z 8. júna 2011 týkajúcej sa obmedzenia používania určitých nebezpečných látok v elektrickom a elektronickom vybavení.
- (SK) Vyhlasujeme na našu výhradnú zodpovednosť, že tento výrobok je v zhode a súlade s nasledujúcimi normami a predpismi: Je v súlade s normou 2011/65/EU Európskeho parlamentu a Rady z 8. júna 2011 týkajúcej sa obmedzenia používania určitých nebezpečných látok v elektrickom a elektronickom vybavení.
- (SL) S polno odgovornostjo izjavljamo, da je ta izdelek v skladu in da odgovarja naslednjim standardom ter predpisom: je v skladu z direktivo 2011/65/EU Evropskega parlamenta in Sveta z dne 8. junija 2011 o omejevanju uporabe določenih nevarnih snovi v električni in elektronski opremi.
- (PL) Deklarujemy na własną odpowiedzialność, że ten produkt spełnia wymogi zawarte w następujących normach i przepisach: jest zgodny z Dyrektywą 2011/65/UE Parlamentu Europejskiego i Rady z dnia 8 czerwca 2011 r. w sprawie ograniczenia stosowania niektórych niebezpiecznych substancji w sprzęcie elektrycznym i elektronicznym.
- (LT) Prisiimdami visą atsakomybę deklaruojame, kad šis gaminy atitinka Žemiau paminėtų standartus arba nuostatus: atitinka 2011 m. birželio 8 d. Europos Parlamento ir Tarybos direktyvą 2011/65/EB dėl tam tikrų pavojingų medžiagų naudojimo elektros ir elektroninėje įrangoje apribojimo.
- (LV) Ir atbilstoša Eiropas Parlamenta un Padomes 2011. gada 8. jūnija Direktīvai 2011/65/ES par dažu bīstamu vielu izmantošanas ierobežošanu elektriskās un elektroniskās iekārtās.
- (ET) Apgalvojam ar visu atbildību, ka šis produkts ir saskaņā un atbilst sekojošiem standartiem un nolikumiem: ir atbilstoša Eiropas Parlamenta un Padomes 2011. gada 8. jūnija Direktīvai 2011/65/ES par dažu bīstamu vielu izmantošanas ierobežošanu elektriskās un elektroniskās iekārtās.
- (RO) Declaram prin aceasta cu răspunderea deplină că produsul acesta este în conformitate cu următoarele standarde sau directive: este în conformitate cu Directiva 2011/65/UE a Parlamentului European și a Consiliului din 8 iunie 2011 cu privire la interzicerea utilizării anumitor substanțe periculoase la echipamentele electrice și electronice.
- (HR) Izjavljujemo pod vlastitom odgovornošću da je strojem ukladan sa slijedešim standardima ili standardiziranim dokumentima i u skladu sa odredbama, usklađeno s Direktivom 2011/65/EU europskog parlamenta i vijeća izdanom 8. lipnja 2011. o ograničenju korištenja određenih opasnih tvari u električnoj i elektroničkoj opremi.
- (SR) Pod punom odgovornošću izjavljujemo da je usaglašen sa sledećim standardima ili normama: usaglašen sa direktivom 2011/65/EU Evropskog parlamenta i Saveta od 8.juna 2011. godine za restrikciju upotrebe određenih opasnih materija u električnoj i elektronskoj opremi.
- (RU) Под свою ответственность заявляем, что данное изделие соответствует следующим стандартам и нормам: соответствует требованиям Директивы 2011/65/ЕU Европейского парламента и совета от 8 июня 2011 г. по ограничению использования определенных опасных веществ в электрическом и электронном оборудовании.
- (UK) На свою власну відповідальність заявляємо, що дане обладнання відповідає наступним стандартам і нормативам: задовольняє вимоги Директиви 2011/65/ЄС Європейського Парламенту та Ради від 8 червня 2011 року на обмеження використання деяких небезпечних речовин в електричному та електронному обладнанні.
- (EL) Δηλώνουμε υπεύθυνα ότι το προϊόν αυτό συμμορφώνεται και τηρεί τους παρακάτω κανονισμούς και πράξεις: συμμορφώνεται με την Οδηγία 2011/65/ΕΕ του Ευρωπαϊκού Κοινοβουλίου και του Συμβουλίου της 8ης Ιουνίου 2011 για τον περιορισμό της χρήσης ορισμένων επικίνδυνων ουσιών σε ηλεκτρικό και ηλεκτρονικό εξοπλισμό.
- (BG) Ние декларираме на наша отговорност, че този продукт отговаря на съответствие с Директива 2011/65/ЕС на Европейския парламент и на Съвета от 8 юни 2011 г. относно ограничението на употребата на определени опасни вещества в електрическото и електронното оборудване, в съответствие с последните стандарти и наредби.

**EN60745-1, EN60745-2-17, EN55014-1, EN55014-2,  
EN61000-3-2, EN61000-3-3**

**2014/30/EU, 2006/42/EC, 2012/19/EU, 2011/65/EU**

Zwolle, 01-10-2019

H.G.F. Rosberg  
CEO Ferm

Ferm • Lingenstraat 6 • 8028 PM • Zwolle • The Netherlands

