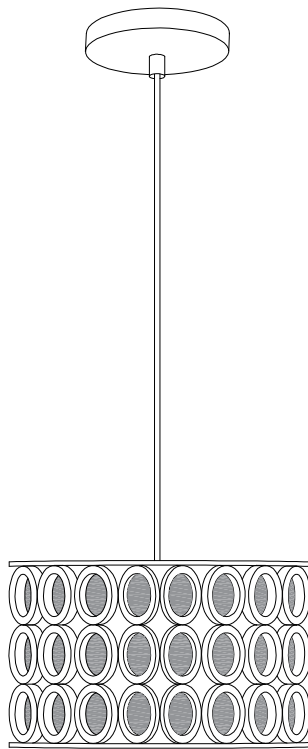


A

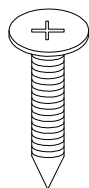


x 1

A

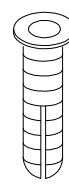


B



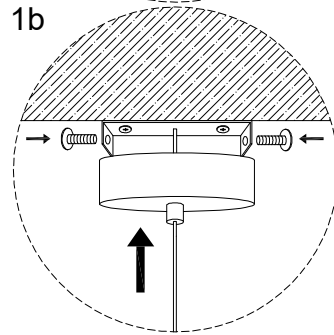
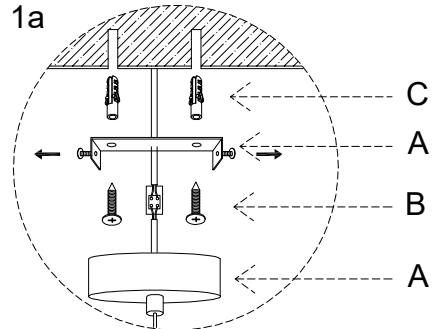
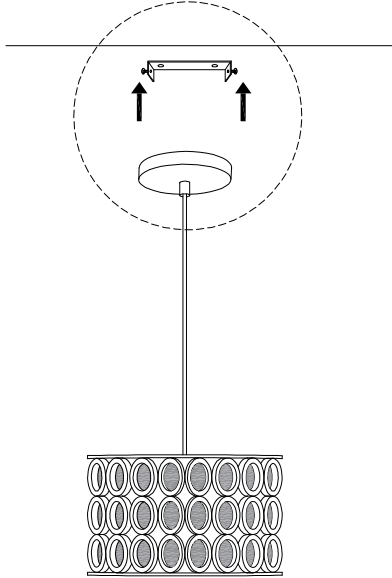
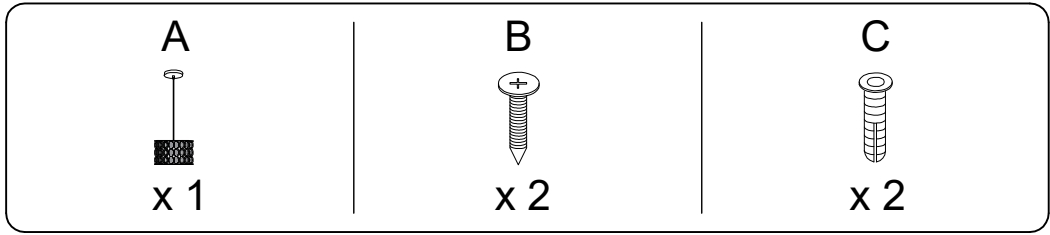
x 2

C



x 2

1



2

