
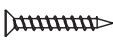







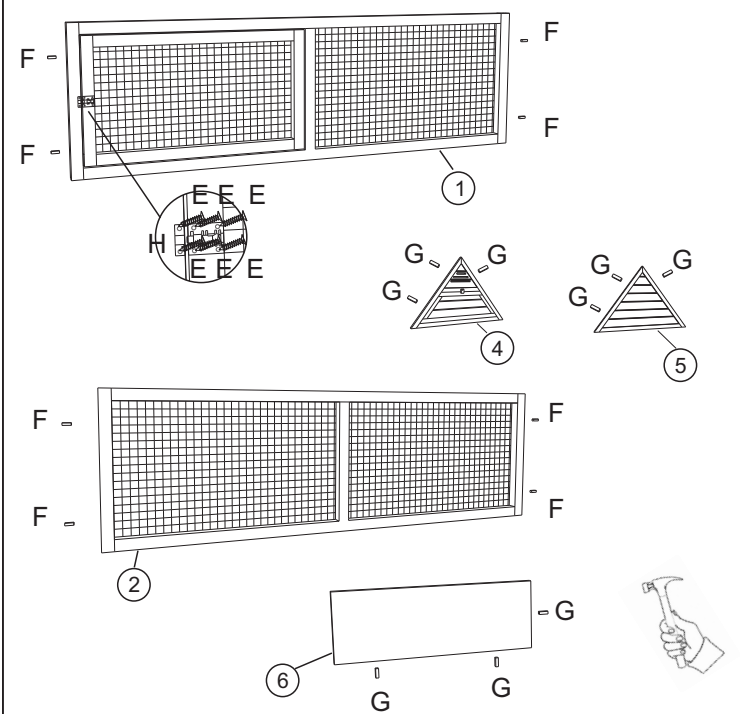
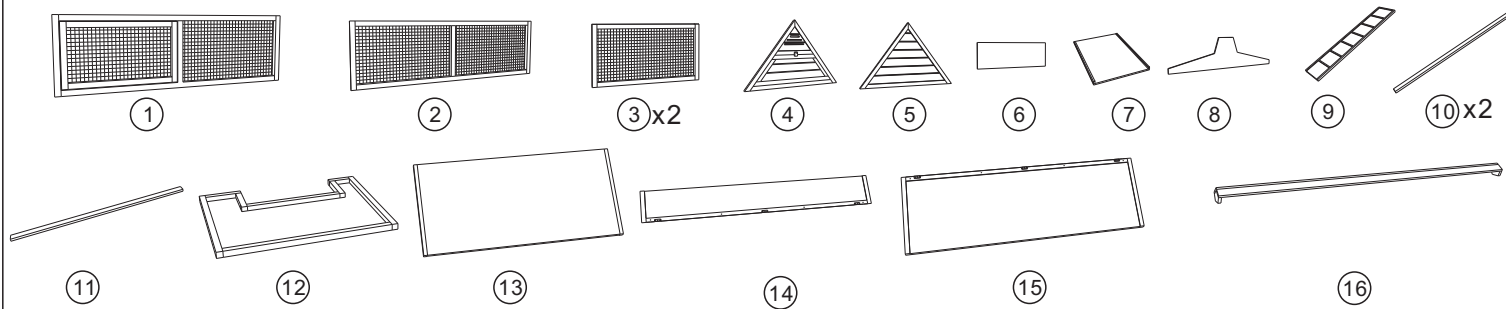
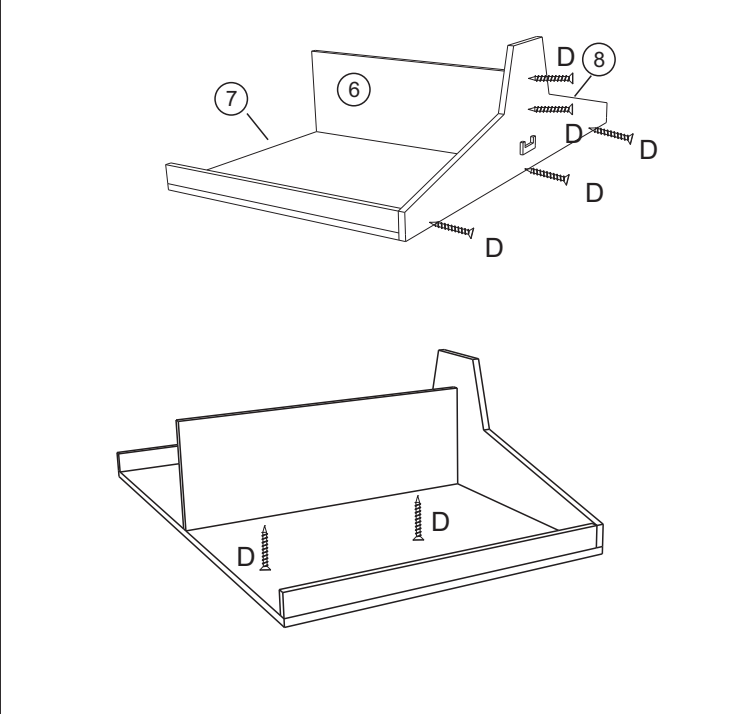


Aufbauanleitung

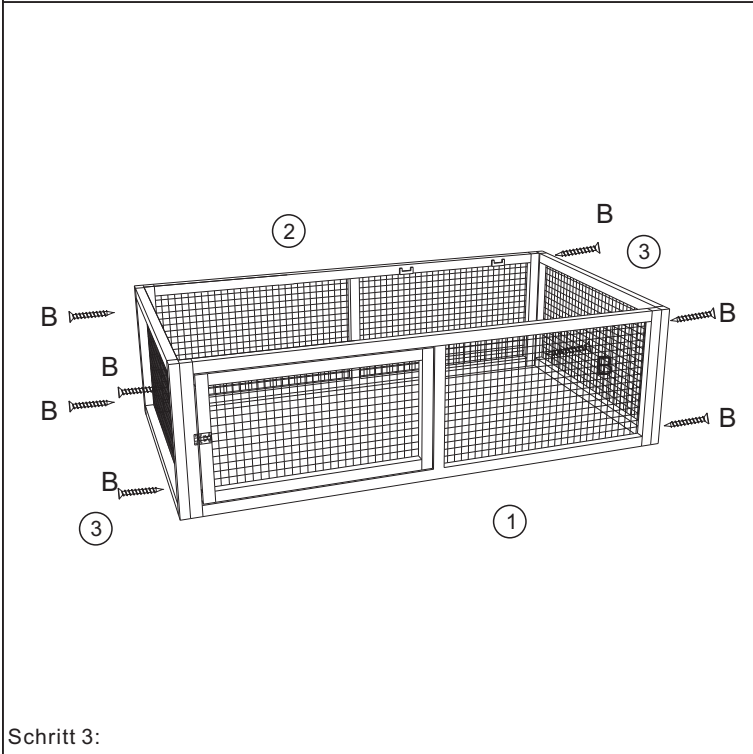
- | | | | | | | | | | | | |
|---|---|----------|--------|---|---|----------|---------|---|---|----------|--------|
| A |  | 3.5x50mm | 4stück | D |  | 3.0x25mm | 13stück | G |  | 6x20mm | 9stück |
| B |  | 3.5x40mm | 8stück | E |  | 3.0x14mm | 8stück | H |  | | 1stück |
| C |  | 3.5x35mm | 8stück | F |  | 8x20mm | 8stück | I |  | 3.0x16mm | 6stück |



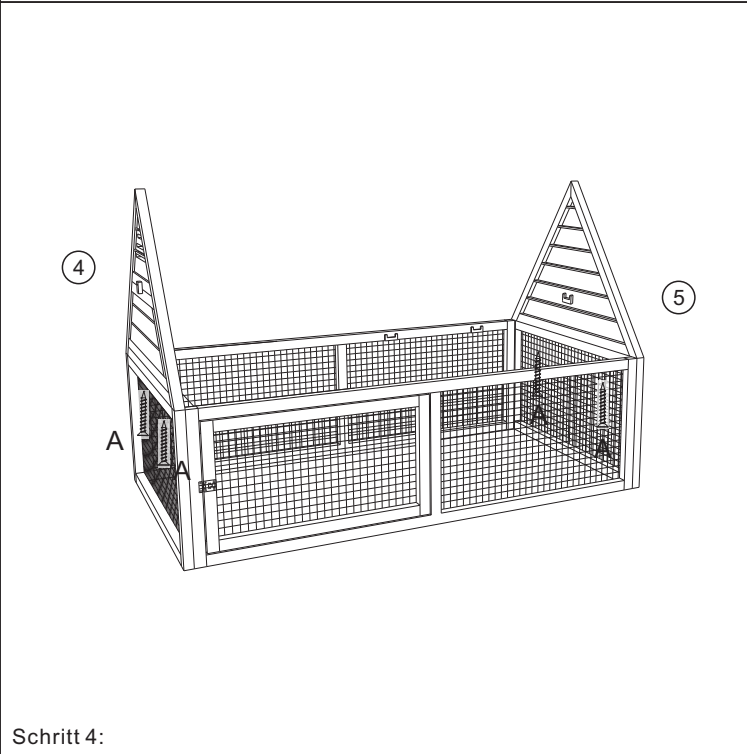
Schritt 1:



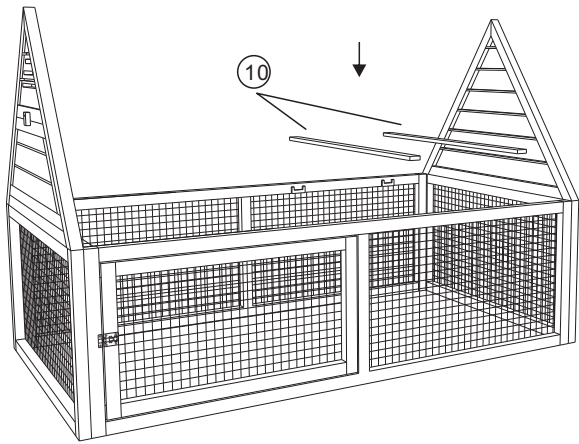
Schritt 2:



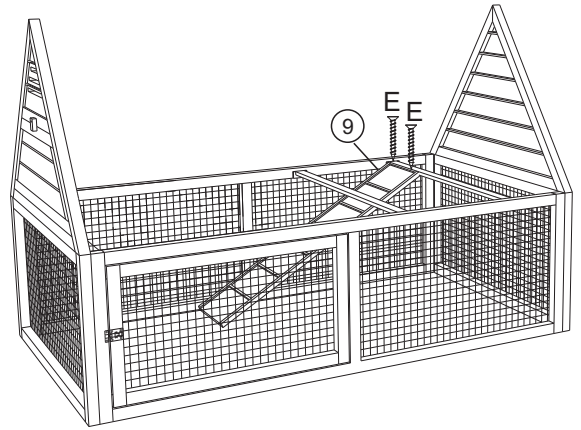
Schritt 3:



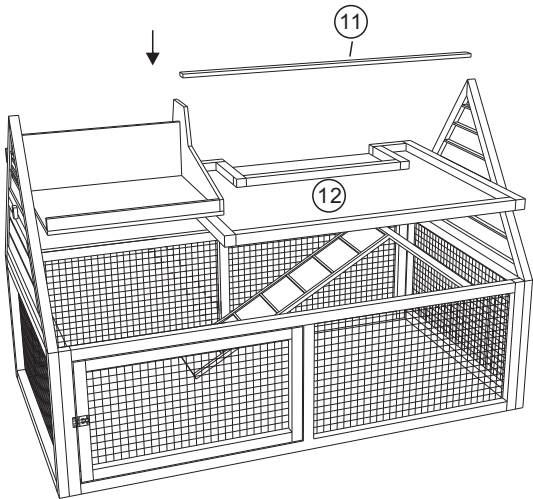
Schritt 4:



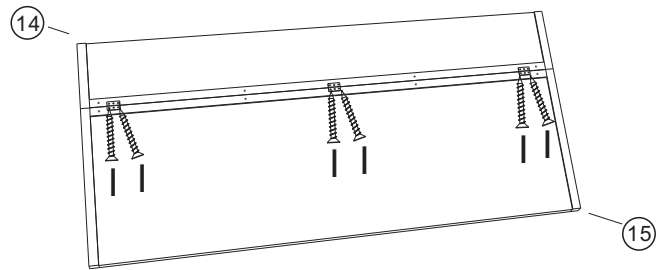
Schritt 5:



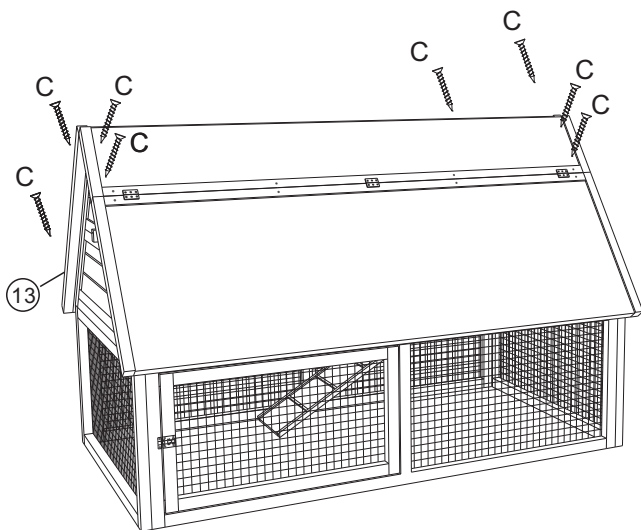
Schritt 6:



Schritt 7:



Schritt 8:



Schritt 7:

