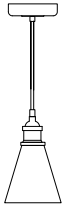
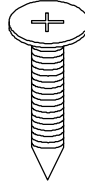


A



x 1

B



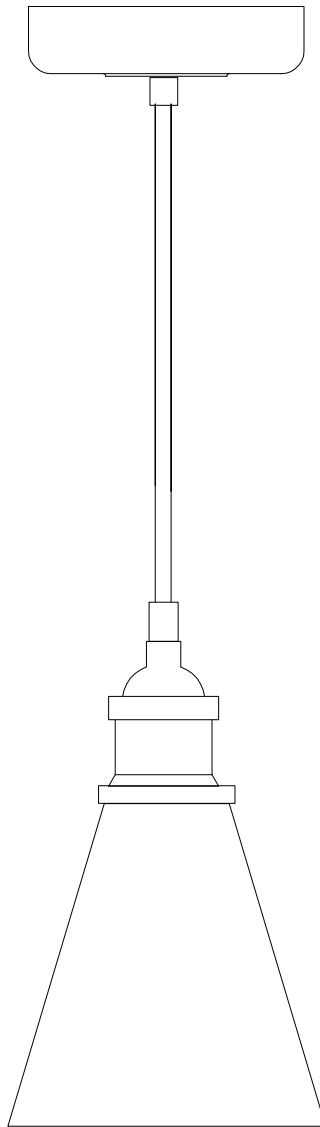
x 2

C

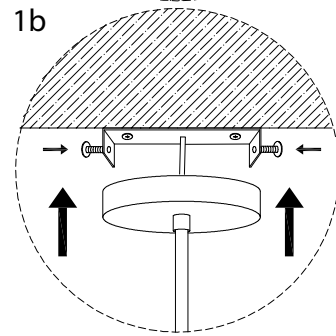
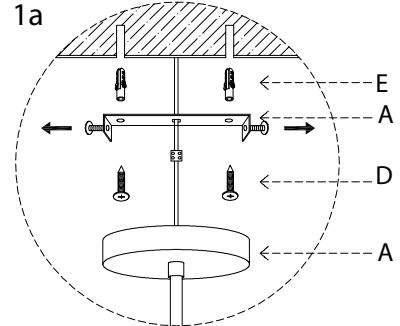
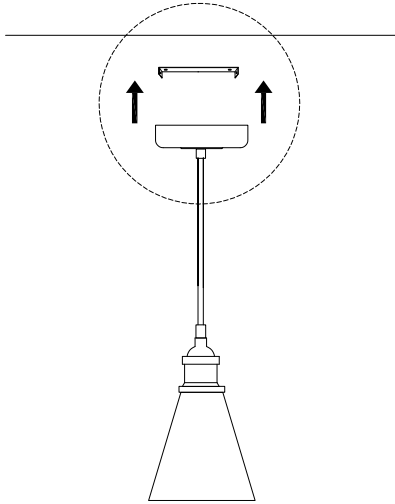
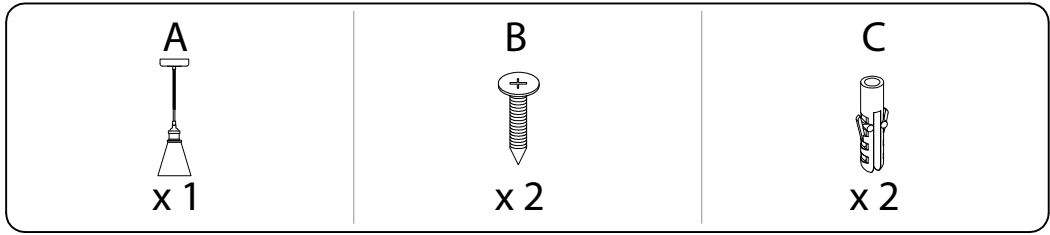


x 2

A



1



2

