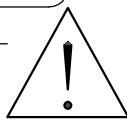
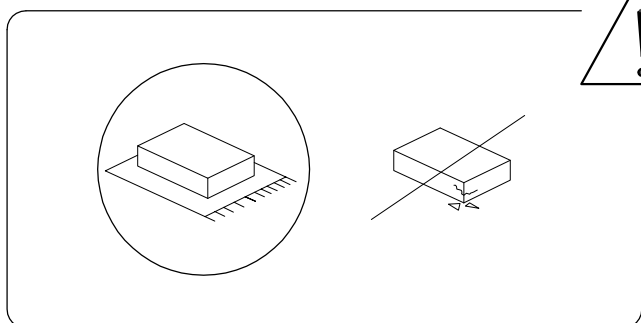
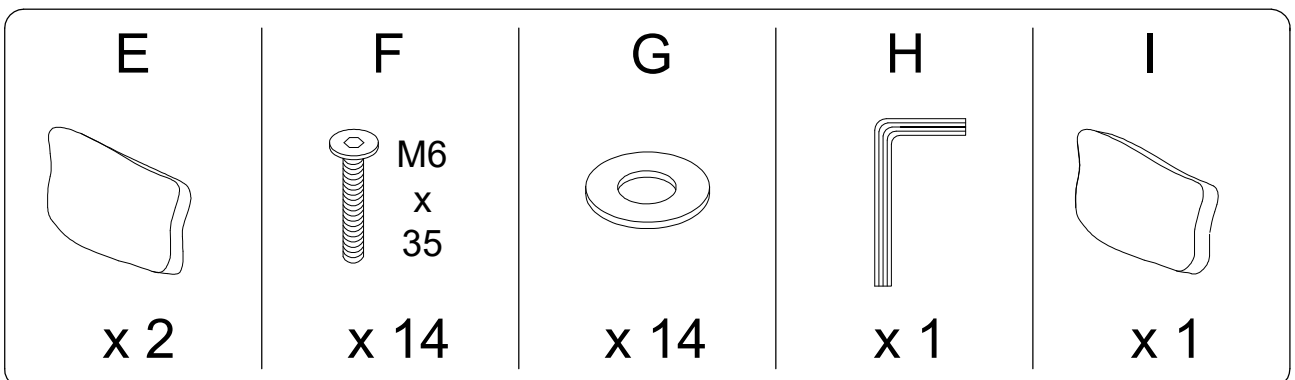
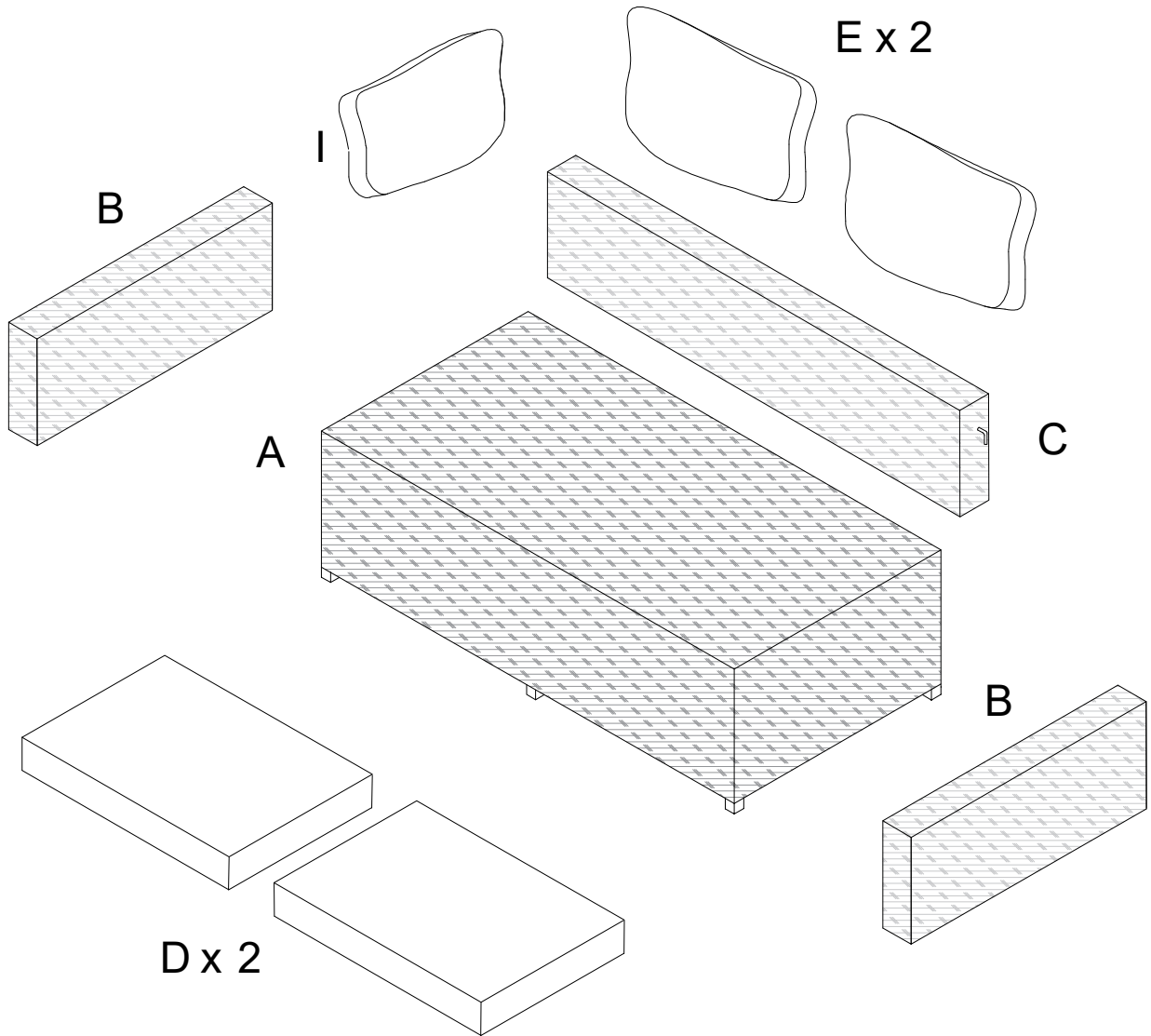
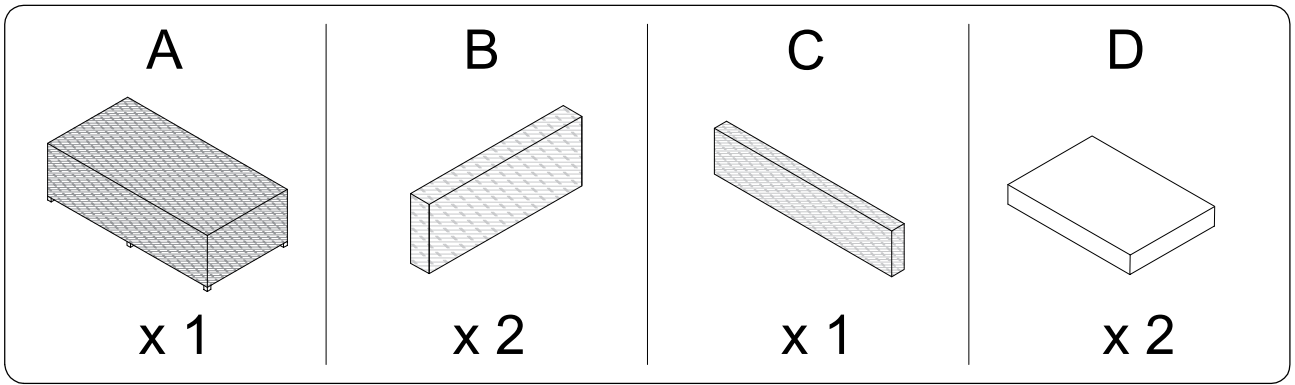


40'

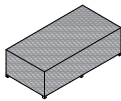
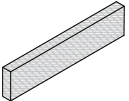
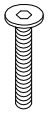
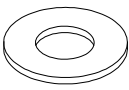
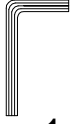


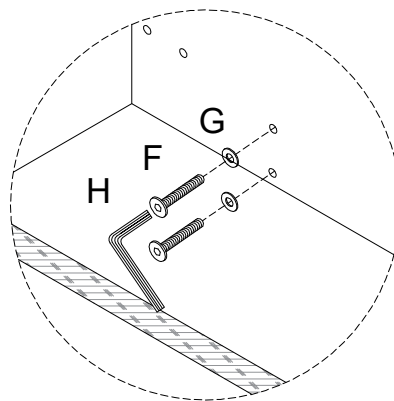
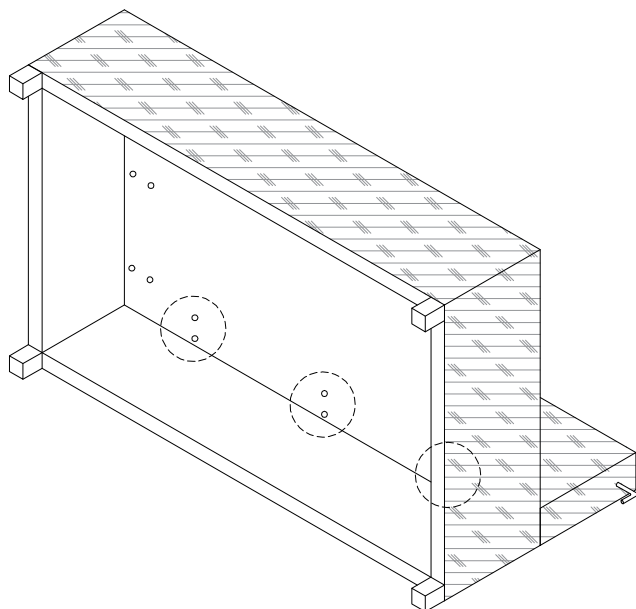
2

A

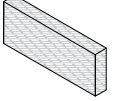


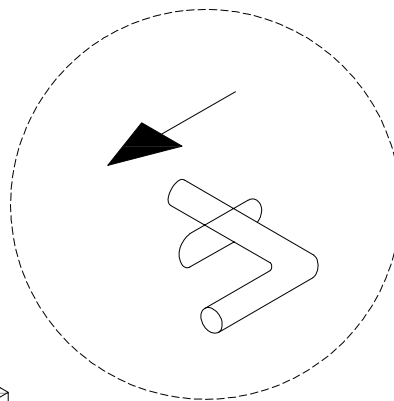
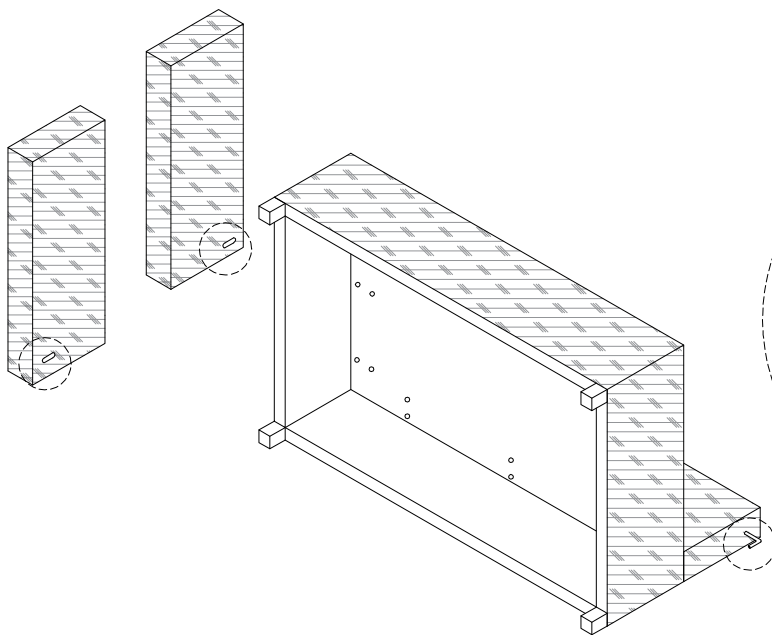
1

A  x 1	C  x 1	F  M6 x 35 x 6	G  x 6	H  x 1
--	--	---	--	--



1

B  x 2
--

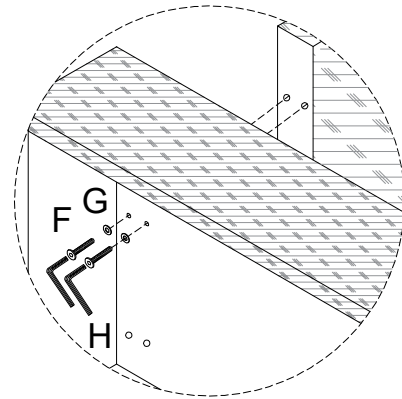
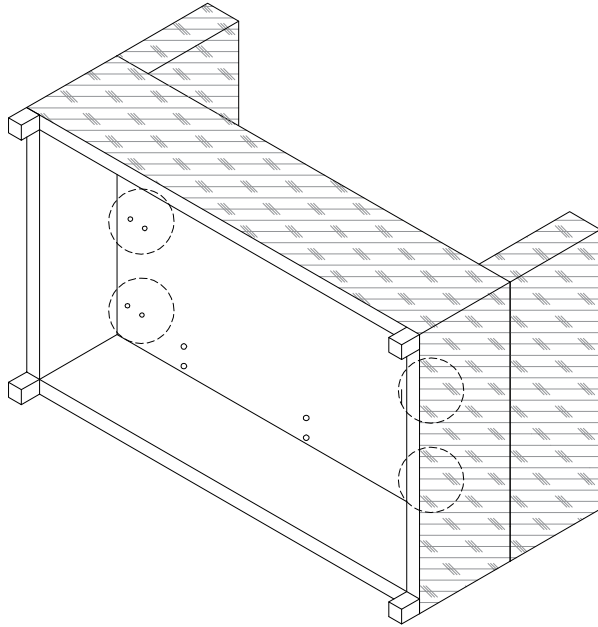


3

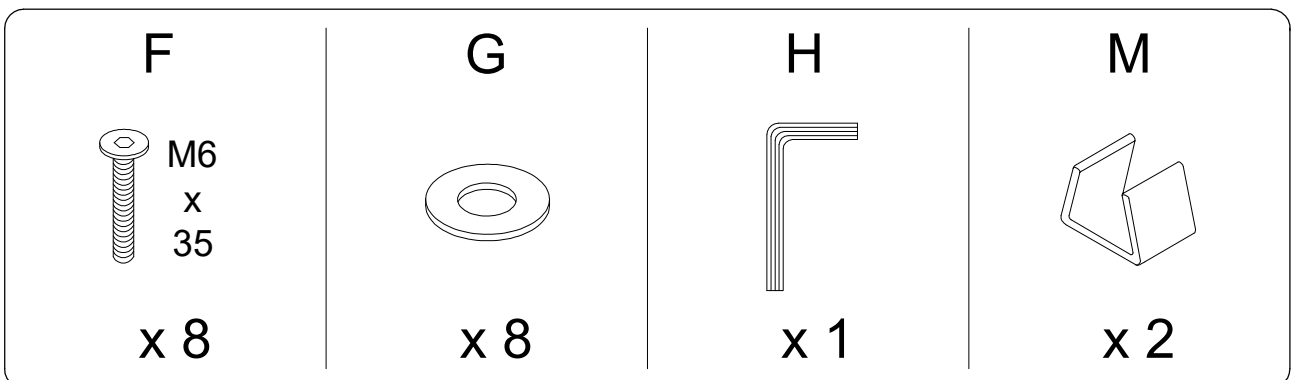
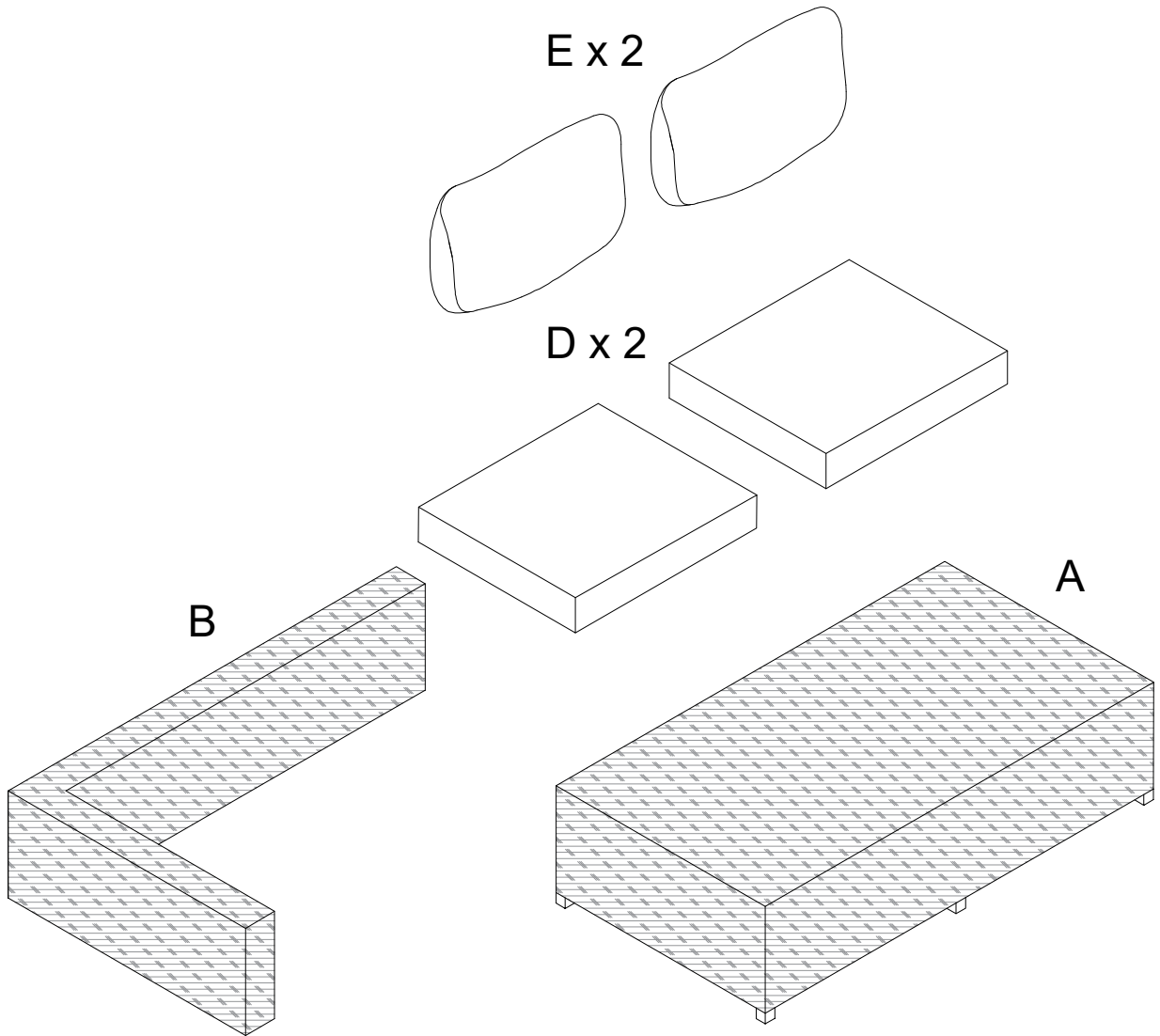
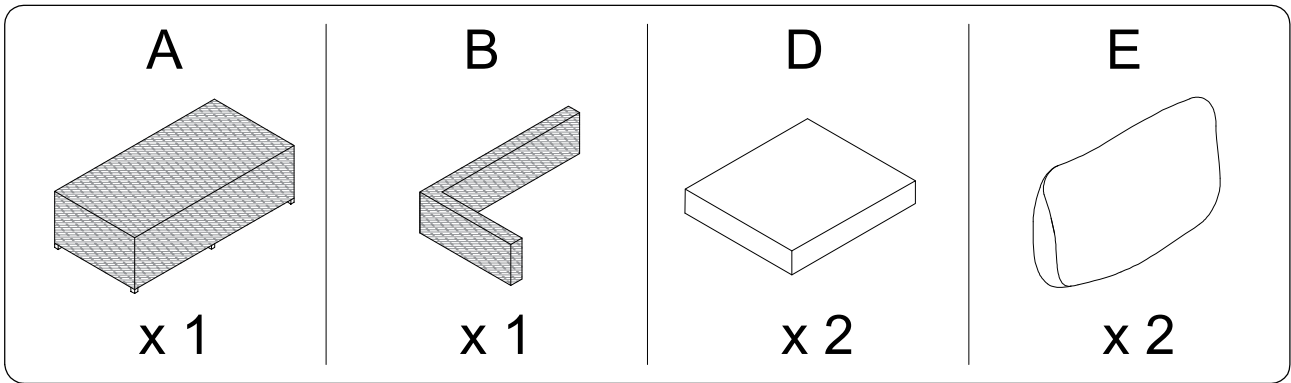
F
M6
x
35
x 8

G
x 8

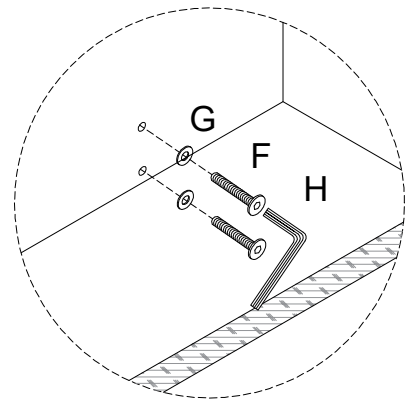
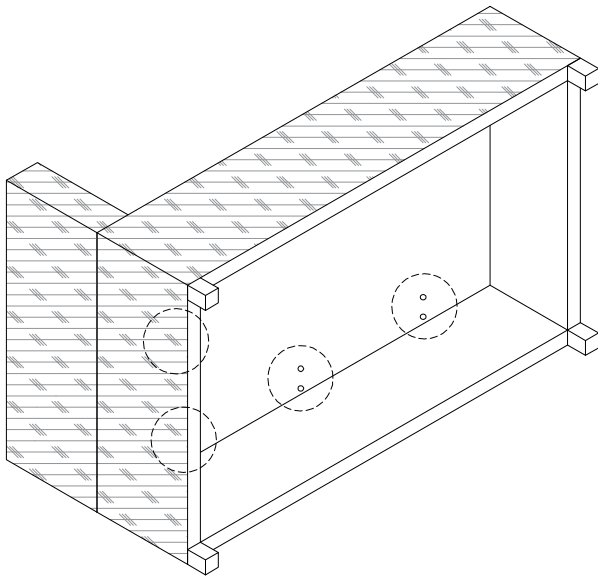
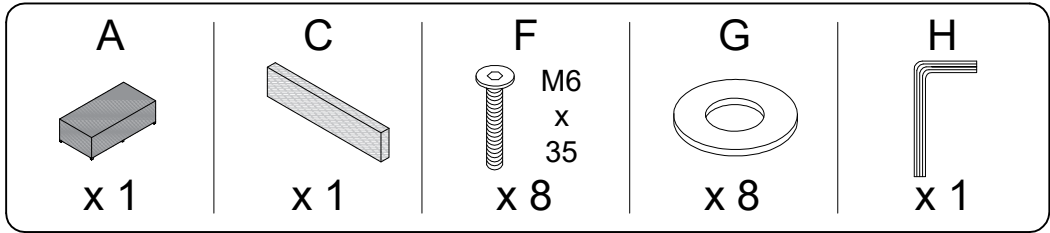
H
x 1



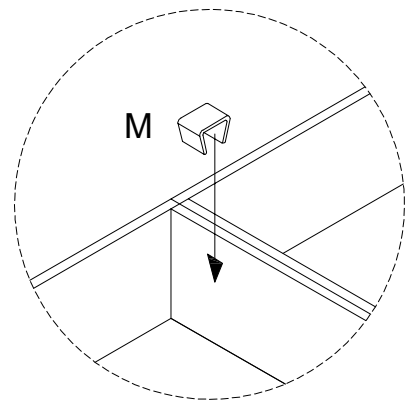
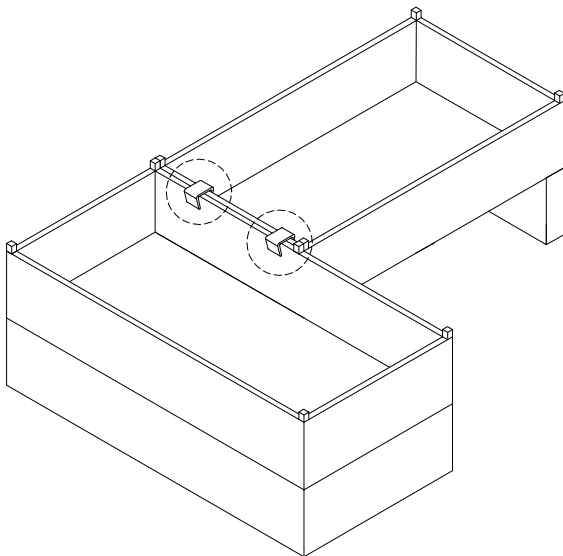
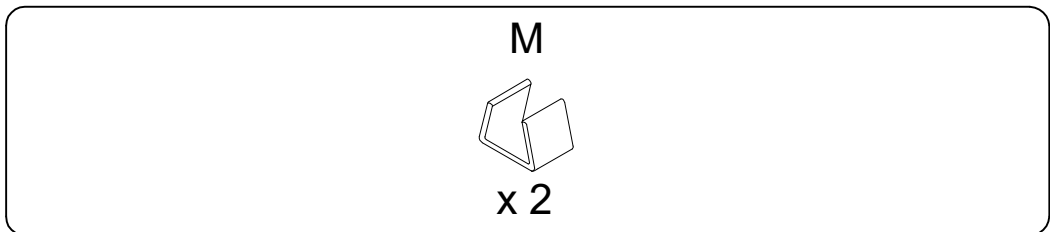
B



1

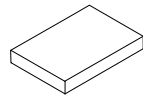


2

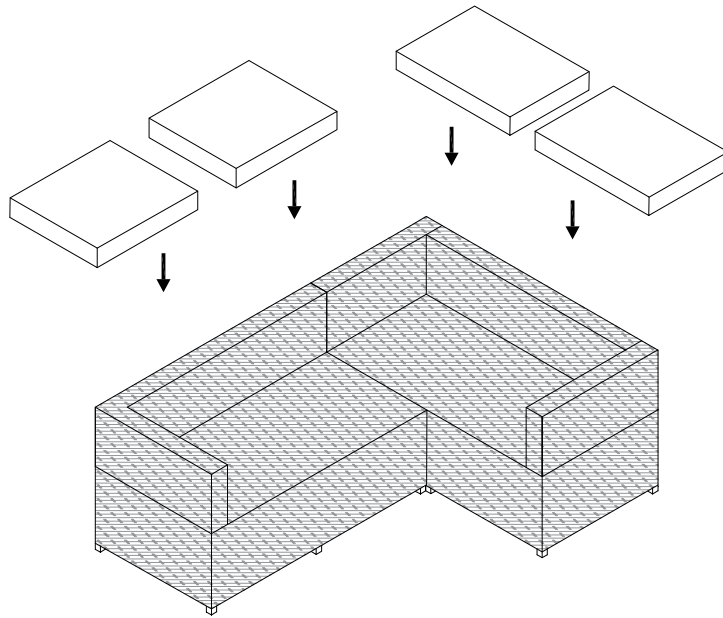


3

D

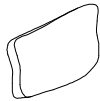


x 4



4

E

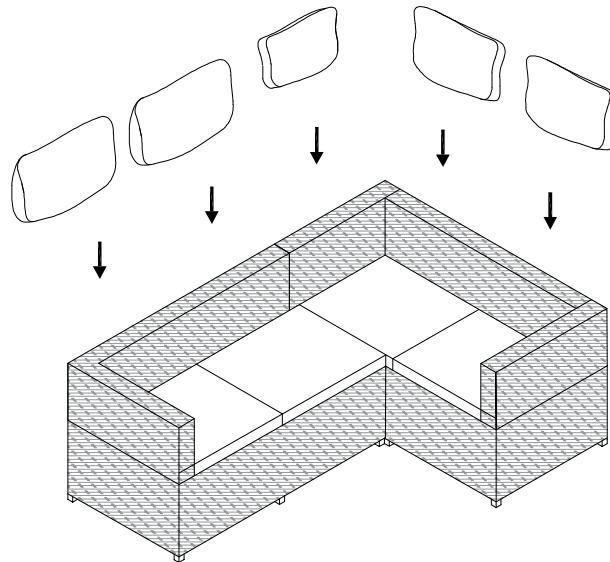


x 4

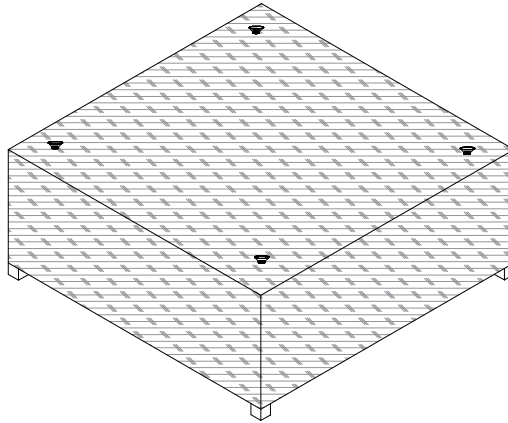
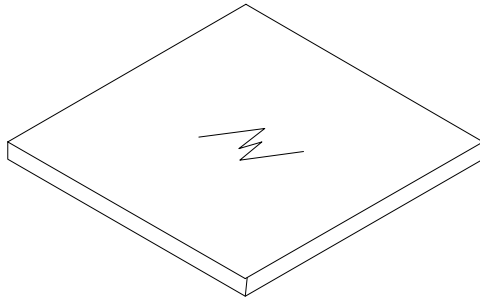
I



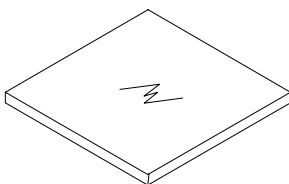
x 1



C

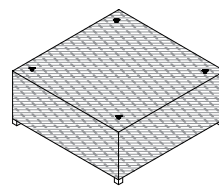


A



x 1

B



x 1

1

