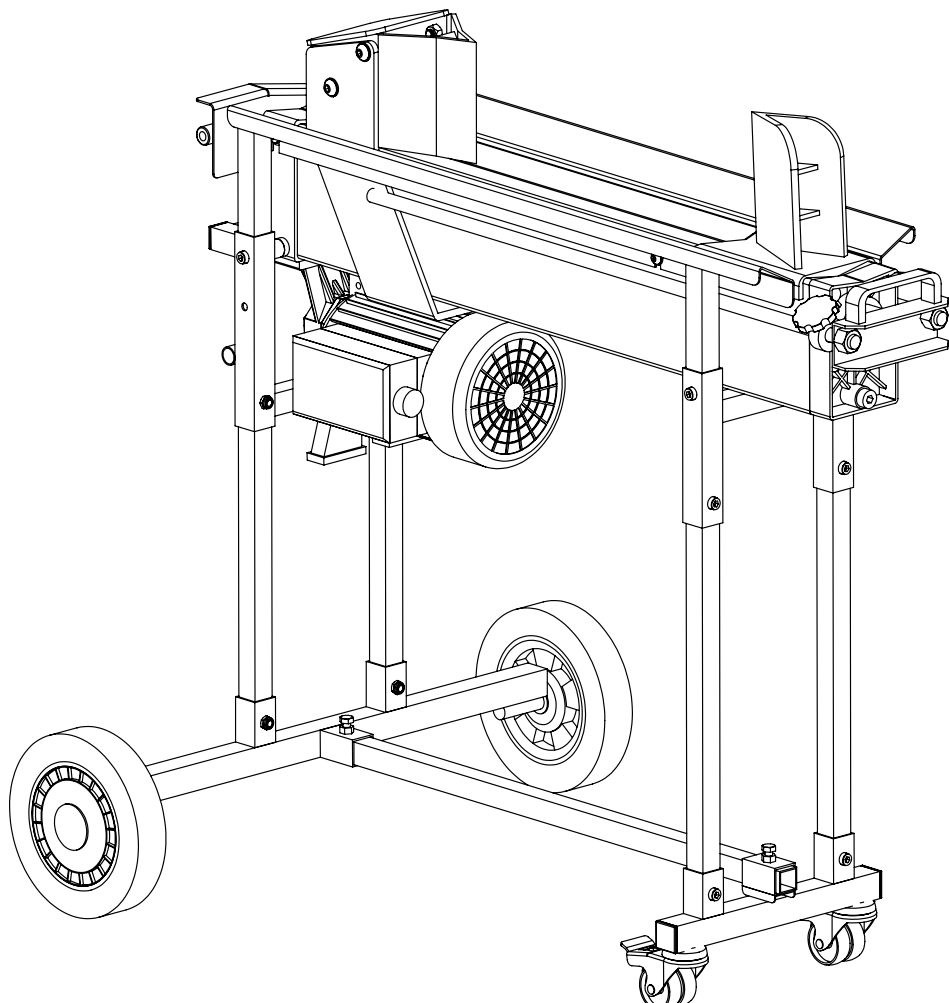


# ELECTRIC LOG SPLITTER



WWW.FOREST-MASTER.COM

Model FM16(D/T/TW/P) Duocut



en

de

fr

it

es

Model Shown FM16TW

**IMPORTANT:** Read this manual fully before assembly and use and observe all safety rules and operating instructions

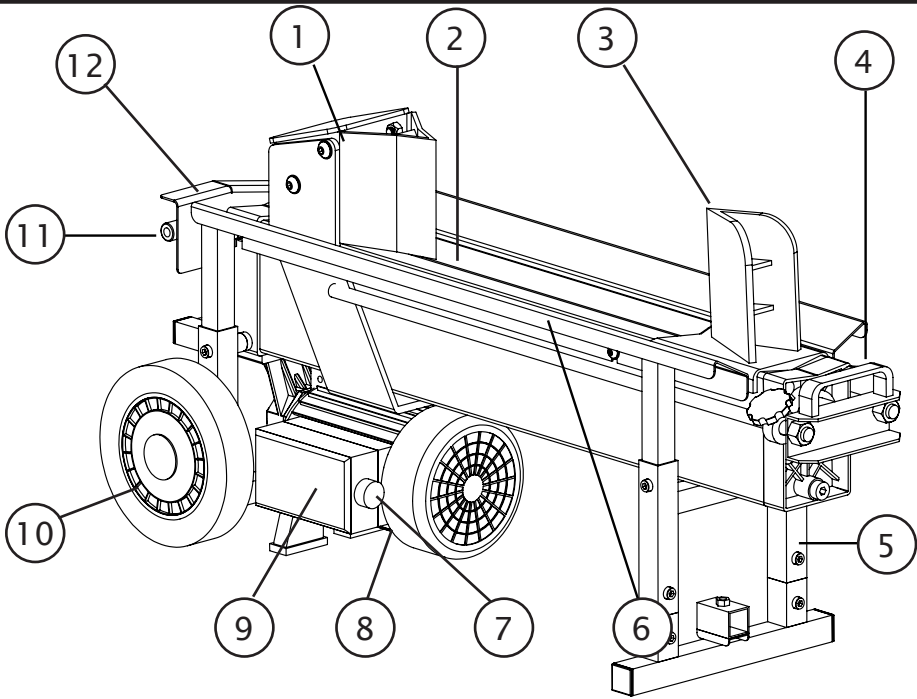


Technical Specification	2
Know Your Electric Log Splitter	3
Know Your Petrol Log Splitter	4
Safety	5
Operation	9
Maintenance	17
Exploded View	20
Parts List	21
Warranty	23
Stand Assembly	24

Model	FM16(D/T/TW)	FM16P
Minimum log diameter	50 mm	50 mm
Maximum log diameter	600 mm	600 mm
Maximum Log Length	450 mm	450 mm
Motor / Engine	230V 50Hz	35 cc
	2300W IP54	37 cc
		52 cc
Splitting Force	7 ton	7 ton
	8 ton	8 ton
	9 ton	9 ton
Preset Max Hydraulic Pressure	500 Bar	500 Bar
	550 Bar	550 Bar
	600 Bar	600 Bar
Max Hydraulic Oil Capacity	6.5 Litre	6.5 Litre
Length	1060 mm	1060 mm
Width	278 mm	278 mm
Height	522 mm	522 mm
Weight	78 kg	78 kg

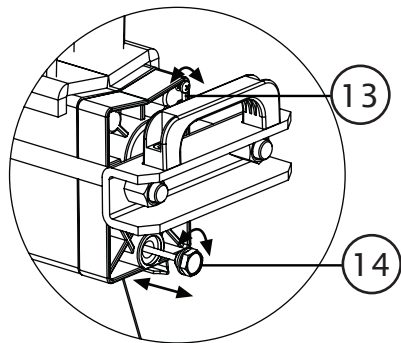


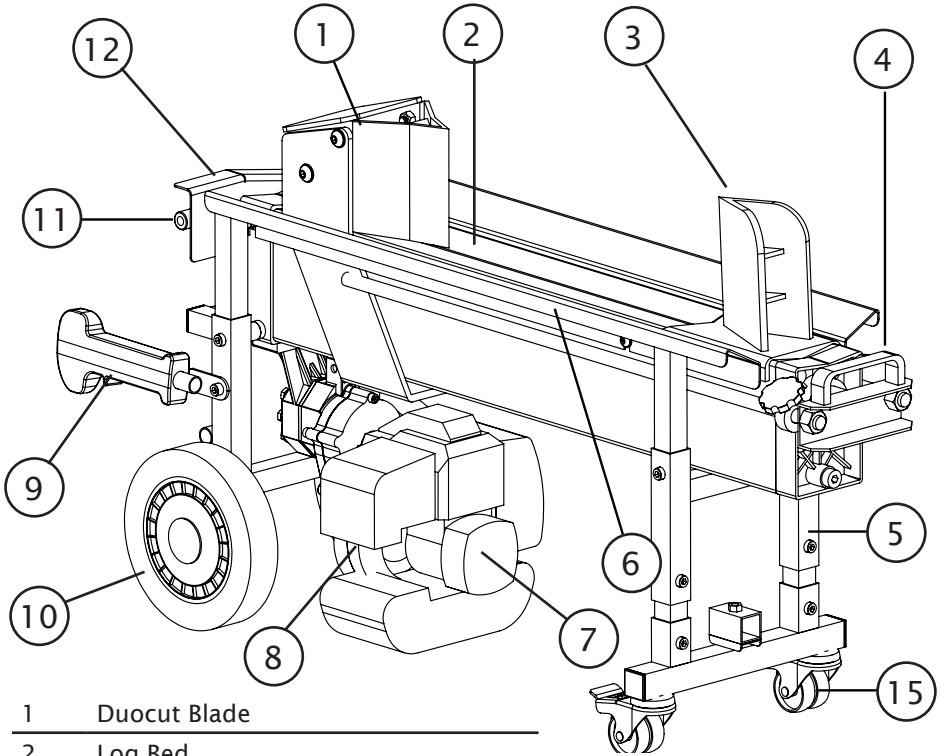
WWW.FOREST-MASTER.COM



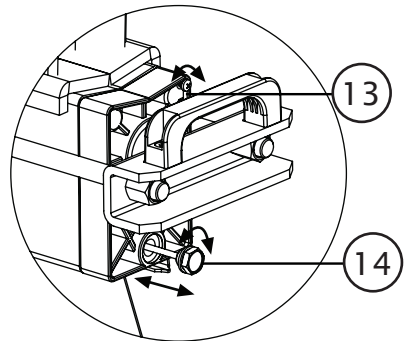
Know Your Electric Log Splitter

- 1 Doucut Blade
- 2 Log Bed
- 3 Wedge
- 4 Lifting Handle
- 5 Support leg
- 6 Log Guide Rails
- 7 Push Button Switch
- 8 Motor
- 9 Push Button Box
- 10 Wheels (minor moving only)
- 11 Hydraulic Control Lever
- 12 Control Lever Guard
- 13 Bleed Screw
- 14 Oil Drain Bolt w/ Dipstick





- 1 Duocut Blade
- 2 Log Bed
- 3 Wedge
- 4 Lifting Handle
- 5 Support leg
- 6 Log Guide Rails
- 7 Pull Start
- 8 Engine
- 9 Throttle Control
- 10 Wheels (minor moving only)
- 11 Hydraulic Control Lever
- 12 Control Lever Guard
- 13 Bleed Screw
- 14 Oil Drain Bolt w/ Dipstick
- 15 Lockable Castors





**UNDERSTAND YOUR LOG SPLITTER:** Read and understand the owner's manual and labels affixed to the log splitter. Learn its application and limitations as well as the specific potential hazards peculiar to it.

**DRUGS, ALCOHOL AND MEDICATION:** Do not operate the log splitter while under the influence of drugs, alcohol, or any medication that could affect your ability to use it properly.

**AVOID DANGEROUS CONDITIONS:** Use the log splitter on the ground, on the stand supplied or one of the stands available as accessories. Ensure the stand, if used, is securely assembled.

Keep your work area clean and well lit. Cluttered areas invite injuries. Do not use the log splitter in wet or damp areas or expose it to rain. Do not use it in areas where fumes from paint, solvents or flammable liquids pose a potential hazard.

**INSPECT YOUR LOG SPLITTER:** Check your log splitter before turning it on. Keep guards in place and in working order. Form a habit of checking to see that keys and adjusting wrenches are removed from tool area before turning it on. Replace damaged, missing or failed parts before using it.

**DRESS PROPERLY:** Do not wear loose clothing, gloves, neckties or jewellery (rings, wrist watches). They can be caught in moving parts.

Protective electrically non conductive gloves and non-skid footwear are recommended when working. Wear protective hair covering to contain long hair, preventing it from getting caught in machinery.

**PROTECT YOUR EYES AND FACE:** Any log splitter may throw foreign objects into the eyes. This can cause permanent eye damage. Always wear safety goggles. Everyday eyeglasses have only impact resistant lenses. They are not safety glasses.

Stand behind and to the right of the machine when operating it. Do not bend over the machine to operate it, this is an awkward operating position that has the operator bring their face close to the machine, and thus risk being struck by wood chips or debris.

Symbol on the machine





**EXTENSION CORDS:** Improper use of extension cords may cause inefficient operation of the log splitter which can result in overheating. Be sure the extension cord is no longer than 10m and its section is no less than 2.5mm<sup>2</sup> to allow sufficient current flow to the motor.

Avoid use of free and inadequately insulated connections. Connections must be made with protected material suitable for outdoor use.

**AVOID ELECTRICAL SHOCK:** Check that the electric circuit is adequately protected and that it corresponds with the power, voltage and frequency of the motor. Check that there is a ground connection, and a regulation differential switch upstream.

Ground the log splitter. Prevent body contact with grounded surfaces: pipes, radiators, ranges, and refrigerator enclosures. Never open the push button box on the motor. Should this be necessary, contact a qualified electrician.

Make sure your fingers do not touch the plug's metal prongs when plugging or unplugging the log splitter.

**AVOID BURNS:** Avoid contact with hot oil, exhaust fumes and hot surfaces. Do not touch the engine or exhaust, these parts get extremely hot from operation and remain hot for a time after the unit is turned off. Allow the engine to cool before doing maintenance or adjustment.

**PETROL ENGINE: DO NOT** operate the log splitter in an enclosed area. The exhaust fumes contain carbon monoxide an odourless and deadly gas. Operate this unit only in a well ventilated area.

Always stop the engine before moving the machine. Do not alter or adjust any part of the machine or engine that is sealed by the manufacturer or distributor. Always check before use, as specified in the manufacturers handbook.

Symbol  
on the  
machine



Do not change the engine governor settings or over-speed the engine. The governor controls the maximum safe operating speed of the engine.

Do not run the engine at a high speed when you are not working.

**KEEP VISITORS AND CHILDREN AWAY:** The log splitter must be always operated by one person only. Other people should keep a safe distance from the work area, especially when the log splitter is under operations. Never use another person to help you with freeing jammed logs.

**INSPECT YOUR LOG:** Make sure there are no nails or foreign objects in logs to be split. The ends of the logs must be cut square. Branches must be cut off flush with the trunk.

**DON'T OVERREACH:** Floor must not be slippery. Keep proper footing and balance at all times. Never stand on log splitter. Serious injury could occur if the tool is tipped or if the cutting tools is unintentionally contacted. Do not store anything above or near the log splitter where anyone might stand on the tool to reach them.

**AVOID INJURY FROM UNEXPECTED ACCIDENT:** Always pay full attention to the movement of the log pusher. Do not attempt to load the log on until the log pusher has stopped. Keep hands out of the way of all moving parts.

**PROTECT YOUR HANDS:** Keep you hands away from splits and cracks which open in the log; They may close suddenly and crush or amputate your hands. Do not remove jammed logs with your hands.

Symbol on to the machine





**DON'T FORCE THE TOOL:** It will do a better and safer job at its design rate. Never try to split logs larger than those indicated in the specifications table. This could be dangerous and may damage the machine.

Don't use log splitter for a purpose for which it was not intended.

**NEVER LEAVE THE TOOL RUNNING UNATTENDED:** Don't leave tool until it has come to a complete stop.

**DISCONNECT POWER:** Unplug the electric motor or remove the plug cap from the spark plug before making adjustments, changing parts, cleaning, or maintaining the log splitter. Consult technical manual before servicing.

**PROTECT THE ENVIRONMENT:** Take used oil to an authorized collection point or follow the stipulations in the country where the log splitter is used. Do not discharge into drains, soil or water.

**MAINTAIN YOUR LOG SPLITTER WITH CARE:** Keep the log splitter clean for best and safest performance.

**MAKE THE WORKSHOP CHILDPROOF:** Lock the shop. Disconnect master switches. Store the log splitter away from children and others not qualified to use it.

The warnings, cautions and instructions referred to in this manual cannot cover all possible conditions and situations that may occur. It must be understood that common sense and caution must be applied by the operator when using the log splitter.

Symbol on the machine







### OPERATING CONDITIONS

This log splitter is a home use model. It is designed for operating under ambient temperatures between +5°C and 40°C and for installation at altitudes no more than 1000m above M.S.L. The surrounding humidity should be less than 50% at 40°C. It can be stored or transported under ambient temperatures between -25°C and 55°C.

### ELECTRICAL REQUIREMENTS (FM8, FM10D, FM10T, FM10TW)

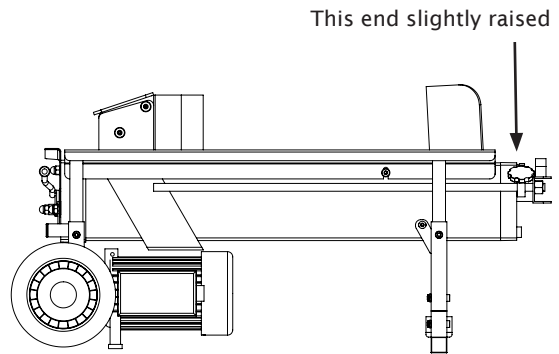
Connect the main leads to a standard 230V±10% (50Hz±1Hz) electrical supply which has protection devices of under-voltage, over-voltage and over-current as well as a residual current device (RCD) which is maximum residual current rated at 0.03A.

This equipment is fitted with a UK 3 pin mains electricity plug and is supplied with a 2 pin adapter for use where necessary. **DO NOT** remove the 3 pin mains electricity plug and fit a 2 pin mains electricity plug.

### POSITIONING THE LOG SPLITTER

The log splitter should be positioned level or preferably positioned with the end where the fixed wedge is, slightly raised. A difference of 5mm over the length of the log splitter is sufficient.

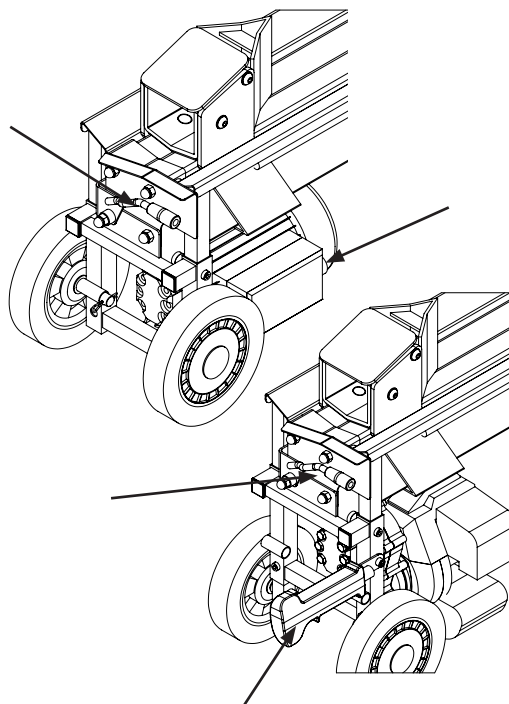
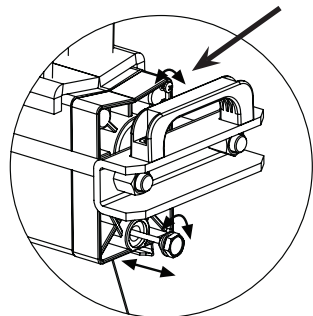
It **should not** be positioned with the fixed wedge end lower than the operating handle end as this may limit the flow of oil to the pump.





### AIR BLEED SCREW

Before operating the log splitter, the Bleed Screw should be loosened a few turns until air can flow in and out of the oil tank smoothly. Air flow through the Bleed Screw hole should be detectable during log splitter operation. Before moving the log splitter, make sure the Bleed Screw is tightened to avoid oil leaking from this point.



### TWO HANDED CONTROL

This log splitter is equipped with a two handed control system — One hand controls the hydraulic control lever while the other hand controls the push button switch or throttle control. The log splitter will freeze upon absence of either hand. Only after both hands release the controls, will the log pusher start to return backward to the starting position. To split a log, press and hold the button to start the electric motor (or throttle for the petrol engine) then move the lever to advance the ram. Never move the lever before pressing the button or the throttle.



**IMPORTANT:** failure to loosen the bleed screw will keep air sealed in the hydraulic system, being compressed and being decompressed. Such continuous air compression and decompression will blow out the seals of the hydraulic system and cause permanent damage to the log splitter.



The splitting force and speed are governed by the 2 stage control lever. Pushing the lever to the 1st position (about half way) gives faster speed and less force for splitting softer logs. Pushing to the 2nd position gives maximum force at a slower speed for splitting hard and seasoned logs. The stages can be shifted by simply raising and lowering the lever.

### **PETROL ENGINE (FM16P)**

The petrol engine is supplied without fuel. Before use, fill the fuel tank as specified in the engine manufacturers handbook included separately.

Note that the FM16P can be supplied with a 2 stroke or 4 stroke engine, consult the engine manufacturers handbook (included separately), to check which type you have. If you do not have the engine manufacturers handbook, contact Forest Master.

Start the engine following the procedure given in the engine manufacturers handbook.

### **LUBRICATE THE LOG BED**

Some types of wood can contain a lot of sap, that may occasionally adhere to the log bed of the log splitter. This can cause the plastic spacer underneath the moving blade or pusher, to stick to the work surface, causing the blade to jerk and possibly pulling the spacer away from underneath the blade.

To avoid this happening, it is recommended to lubricate the log bed of the log splitter before first use and periodically thereafter.

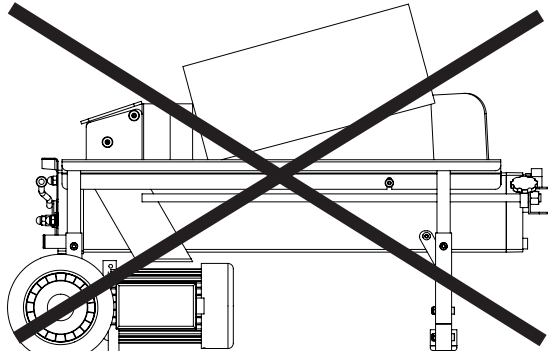
If the plastic spacer does get pulled from under the blade or pusher, do not use the log splitter until the spacer has been refitted.



**WARNING:** Never use the machine without the plastic spacer fitted under the blade.

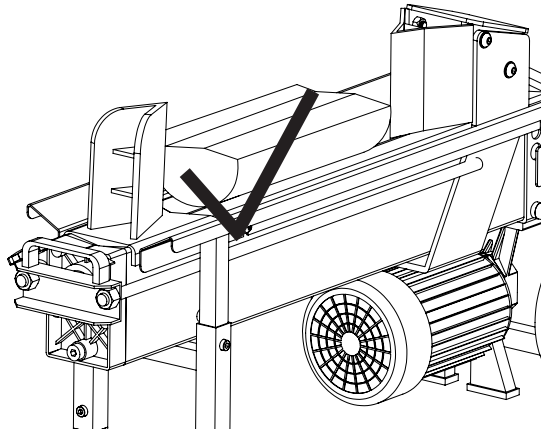


Always set logs firmly on the log guide rails and log bed. Make sure logs will not twist, rock or slip while being split. Do not force the blade by splitting the log on the upper part. This will break the blade or damage the machine.



Break log in the direction of its growing grain. Do not place log across the log splitter for splitting. It may be dangerous and may seriously damage the machine. Do not attempt to split 2 pieces of log at the same time. One of them may fly up and hit you.

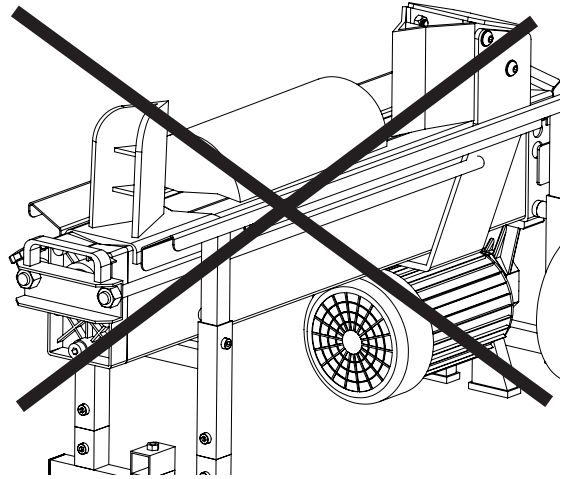
If splitting a log that has already been split, always place the log so that the split face is uppermost and the bark covered outer face of the log is against the bed of the log splitter.



**IMPORTANT:** Do not attempt to split a log across the grain.



**NEVER** place a split log with the split face or faces against the bed of the log splitter, as this can cause the log to jam against the log guides as it splits, thereby bending and possibly breaking the log guides and possibly the body of the log splitter.



After 5 seconds of operation, the pressurised oil will be overheated and the machine could be damaged. In the case of an extremely hard log, rotate it by 90° (around the central axis of the log) to see whether it can be split in a different direction. In any case, if you are not able to split the log, this means that its hardness exceeds the capacity of the machine and thus that log should be discarded to protect the log splitter.

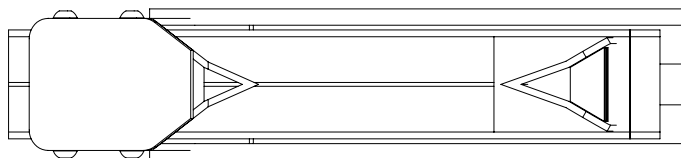


**WARNING:** Never place the split face or faces of a log against the bed of the log splitter.

**IMPORTANT:** Never keep pressure on a log for more than 5 seconds to force it to split very hard wood.



## CHECKING THE DUOCUT BLADE ALIGNMENT

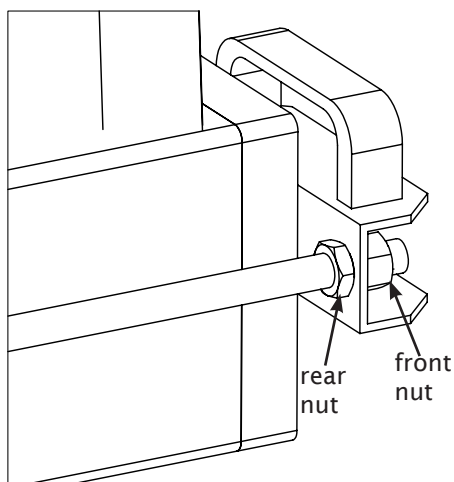


Before splitting any logs, the alignment of the Duocut blade should be checked and adjusted if necessary. The Duocut blade should point along the centreline of the splitter bed and align with the edge of the fixed blade.

To adjust the alignment of the Duocut blade, tighten or loosen the nuts on the forward end of the each of the cradle arms to increase or decrease their tension.

To increase the tension, turn the rear nut anti-clockwise to loosen it then turn the front nut clockwise to tighten it.

To decrease the tension, turn the front nut anti-clockwise to loosen it then turn the rear nut clockwise to tighten it.



## Maintaining The Duocut Blade Alignment In Use

When using your Duocut electric log splitter there will normally not be a problem if the blades encounter a knot, as the log splitter will simply stop splitting at the blade that encounters the knot and continue splitting at the other blade.



However there is a possibility that, if the moving Duocut blade encounters a knot at a shallow angle then rather than stopping, the blade may be deflected off line and if splitting continues the moving carriage arms can be bent out of alignment.

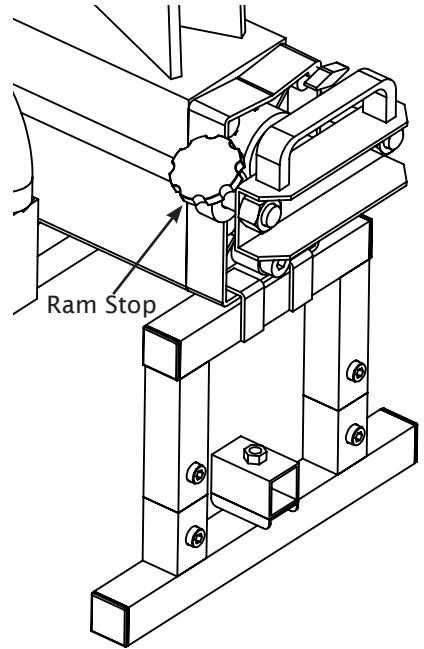
When splitting logs, you should therefore monitor the moving duocut blade and if you observe the blade being deflected away from the centreline of the splitter, you should stop splitting immediately. After the blade has returned to its stop you should turn the log through 90 degrees about the long axis and try splitting the log again.

To minimise the possibility of a knot deflecting the blade, it is recommended to place logs that have a visible knot, so that the knot is vertical. Note however that as explained on page 13, you must not place a log with a split face towards the bed of the log splitter in order to position a knot vertically.



### RAM STOP

Loosen the knob on the ram stop so that it is free to slide on the bar. Operate the log splitter to move the ram forward to the required length. Holding the operating lever in place to ensure the ram does not return, position the ram stop against the front of the splitter and tighten using the knob. The ram stop can be adjusted by simply unscrewing the knob and sliding along the cradle bar, the ram may need to be moved forward depending on the length of log you wish to split. The operating lever must be held in place when unscrewing the ram stop or the ram will return.



**IMPORTANT:** Ensure the motor is switched off and only use the operating lever to hold the ram in position when adjusting the ram stop.

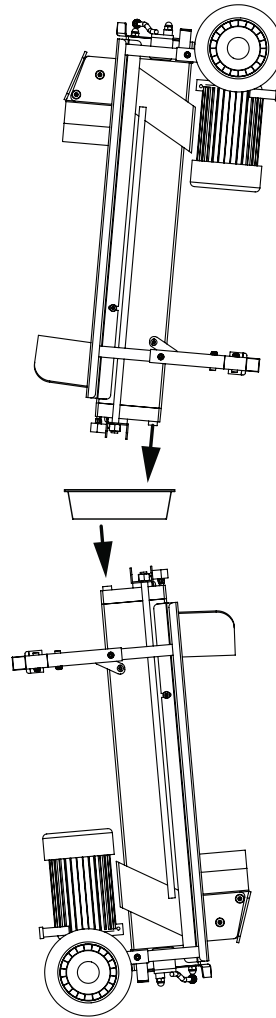




## REPLACING THE HYDRAULIC OIL

Replace the Hydraulic oil in the log splitter after every 150 hours of use as follows.

- Make sure all moving parts stops and the log splitter is unplugged.
- Unscrew Oil Drain Bolt with Dipstick to remove it.
- Turn the log splitter on the Support Leg side over a 8 litres capacity container to drain the hydraulic oil off.
- Turn the log splitter on the motor side.
- Refill with fresh hydraulic oil to the volume given for a particular model in technical specifications table.
- Clean the surface of Dipstick attached to the Oil Drain Bolt and put it back into the oil tank while keep the log splitter vertical.
- Make sure the level of the refilled oil is just between 2 grooves around the Dipstick.
- Clean the Oil Drain Bolt threads before re-inserting. Make sure it is tightened to avoid leakage before placing the log splitter horizontal.



Periodically check oil level to ensure it is between the 2 grooves around the Dipstick. When the oil level reaches the lower groove, oil refilling is required. We recommend using ISO 46 grade hydraulic fluid, sometimes labelled as #46 grade oil.



### **SHARPENING WEDGE**

After using the log splitters for some time, sharpen the wedge of the log splitter using a fine-toothed file and smooth any burrs or crushed area along the cutting edge.

### **MOVING CARRIAGE**

When new, it may be noticed that occasionally the moving carriage is slow to return or does not return fully when the controls are released. This is due to the necessary close fit between the plastic spacer that is fitted under and down the sides of the main body. With use this spacer will wear so that the carriage returns correctly.

If after using the log splitter for a while, the carriage is still slow to return or does not return fully, follow the procedure below.

Lie the splitter on one side and remove the two bolts securing the blade on that side. Remove the washers from the outside of the carriage and place them between the carriage and the blade. If it is difficult to get the washers in then the gap can be opened with a flat bladed screwdriver.

Test the log splitter and if the carriage is still not returning correctly, repeat the procedure with the bolts on the opposite side.

Note that when the plastic spacer has finally bedded in, it is recommended to return the washers to the outside position.

### **PETROL ENGINE**

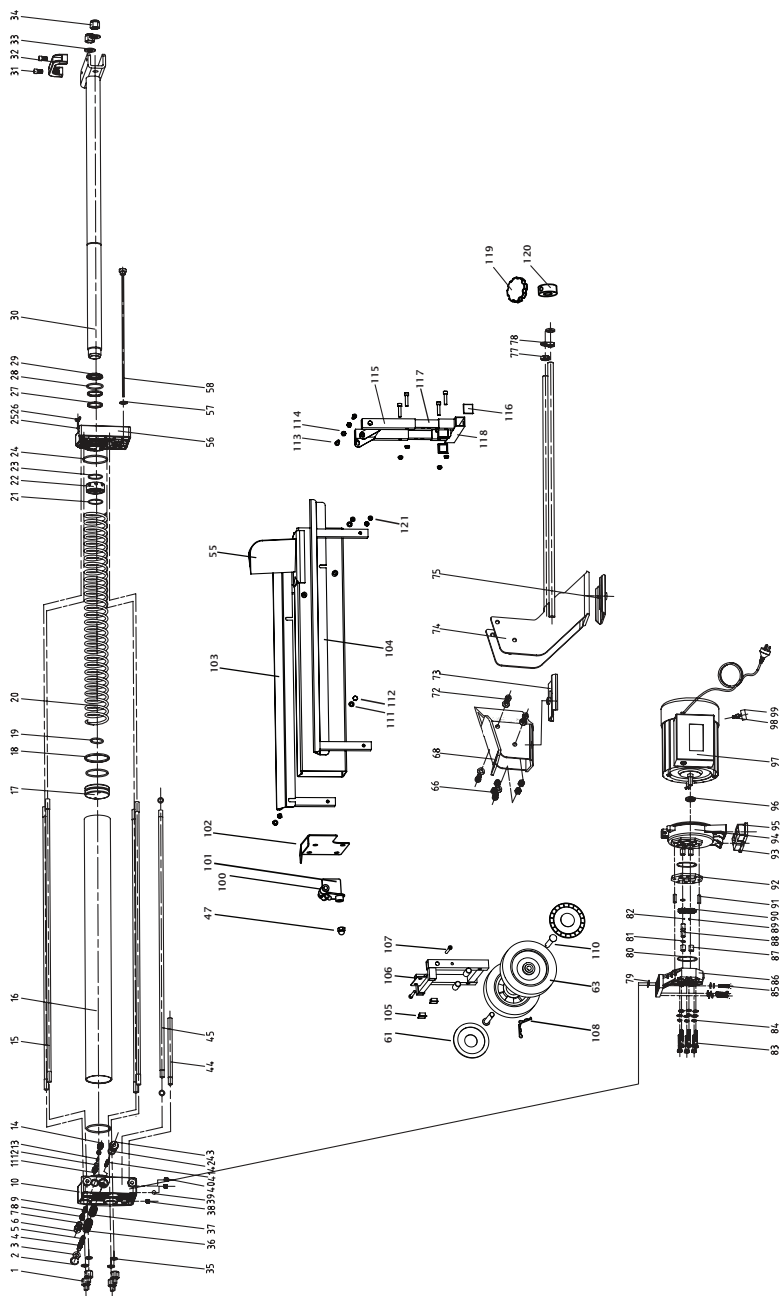
For maintenance and trouble shooting of the petrol engine, see the manufacturer's handbook included separately.



PROBLEM	PROBABLE CAUSE	REMEDY
Fails to split logs	Log is improperly positioned	Refer to "Operation" section for correct log loading.
	The sizes or hardness of the log exceeds the capacity of the machine	Reduce the log sizes before splitting it on the log splitter
	Wedge cutting edge is blunt	Refer to "Sharpening Wedge" section.
	Oil leaks	Locate leak(s) and contact the dealer
	Low pressure caused by unauthorised adjustment of the Max. Pressure Limiting Screw.	Contact the dealer.
	Partial blockage of the pump oil ways.	Turn the splitter upside down. Undo the 3 bolts fastening the pump to the underside of the rear end plate. Check the oilways in the pump and the end plate for signs of a blockage.  Contact the dealer
The carriage jerks, making unfamiliar noise or vibrating a lot	Lack of hydraulic oil and excessive air in the hydraulic system.	Check oil level for possible oil refilling.  Contact the dealer.
Oil leaks around cylinder ram or from other points.	Air sealed in hydraulic system while operating.	Loosen Bleed Screw by 3 ~ 4 rotations before operating the log splitter
	Bleed Screw is not tightened before moving the log splitter.	Tighten the Bleed Screw up before moving the log splitter.
	Oil Drain Bolt with Dipstick is not tight.	Tighten the Oil Drain Bolt with Dipstick.
	Hydraulic Control Valve Assembly and / or seal(s) worn	Contact the dealer



Exploded View





Item	Description
1	Nut
2	Snap Washer
3	Washer 10x2
4	Valve Rod
5	O-ring 8.75x1.8
6	Safety Valve Spring Base
7	O-ring 11.2x2.65
8	Safety Valve Spring
9	Safety Valve Core
10	Cylinder Cover Rear
11	Safety Valve Core
12	O-ring 10.6x1.8
13	Sfty Valve Core Adjust Spring
14	Adjusting Spring Base
15	Stud
16	Cylinder
17	Piston
18	Piston Ring
19	O-ring 35.5x3.55
20	Restoring Spring
21	Circlip
22	Snap Washer
23	O-ring 38.7x2.65
24	O-ring 64.4x3.1
25	O-ring 7x1.9
26	Bleed Screw M5x12
27	Wear Resisting Belt
28	O-ring
29	Piston Seal

Item	Description
30	Piston Rod
31	Hex Bolt M8x20
32	Handle
33	Washer 16
34	Nut M16
35	Copper Washer 12
36	Valve Rod
37	O-ring 17x1.8
38	Screw M10x8
39	Steel Ball 8.5
40	Screw M10x8
41	Valve Rod Restore Spring
42	O-ring 16x2.65
43	Valve Base
44	Intake Hose
45	Connection Hose
47	Lever Nut
55	Tube Frame
56	Cylinder Cover Front
57	Dipstick Washer
58	Dipstick
61	Wheel Cover
63	Wheel
66	Nut M10
68	Duocut Blade
72	Hex Bolt M10x30
73	Plastic Insert Upper
74	Moving Carriage
75	Plastic Insert Lower



Item	Description
76	Support Leg
77	Thin Nut M16
78	Spring Washer 16
79	O-ring 10.6x2.65
80	O-ring 46.2x1.8
81	Gear Shaft Snap Washer
82	Steel Ball 2.5
83	Bolt M8x30
84	Spring Washer 8
85	Bolt M8x30
86	Pump Cover
87	Sleeve Bearing
88	Gear Shaft
89	Pin 2.5x4
90	Gear
91	Pin 8x24
92	Gear Housing Plate
93	Motor Support Shoe Left
94	Motor Cover
95	Motor Support Shoe Right
96	Seal
97	Motor Assembly
100	Lever Knob
101	Operating Lever
102	Lever Guard
103	Log Guide Rail Left
104	Log Guide Rail Right
105	Plastic End Cap
106	Rear Leg Mount

Item	Description
107	M8 x 60 Bolt
108	R-Clip
110	Axle
111	M8 Washer
112	M8 x 10 Bolt
113	M8 x 35 Bolt
114	M8 Nut
115	Front Leg Mount
116	Plastic End Cap
117	Front Leg Small Joiner
118	Front Foot
119	Ram Stop Hand Wheel
120	Ram Stop Collar
121	M8 x 25 Bolt



## Warranty

This product carries a limited parts warranty for 3 years from the date of purchase. Please keep your proof of purchase as this will be required for any claim.

Should this product become defective, contact the store where it was purchased and either replacement parts will be issued, it will be repaired or it will be replaced free of charge.

**IMPORTANT: NO RESPONSIBILITY IS ACCEPTED FOR INCORRECT USE OF THIS PRODUCT. MODIFICATION OF THIS PRODUCT (UNLESS SAID MODIFICATION HAS BEEN AUTHORISED BY FOREST MASTER) WILL VOID THE WARRANTY.**

### This Warranty Does Not Cover:

1. Any part that has become inoperative due to misuse, abuse, neglect, accident, improper maintenance, or alteration
2. The unit, if it has not been operated and/or maintained in accordance with the owner's manual
3. Normal wear
4. Routine maintenance items such as lubricants, blade sharpening
5. Normal deterioration of the exterior finish due to use or exposure

### Shipping Charges:

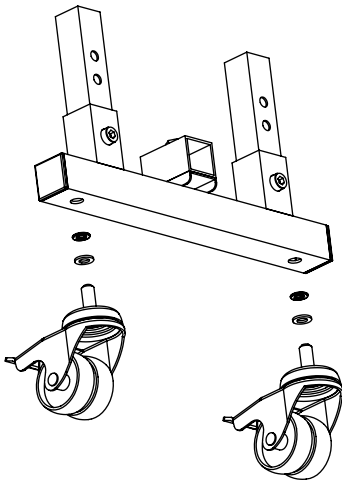
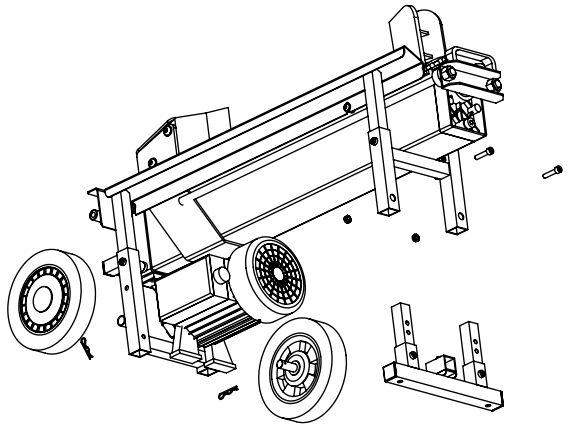
Shipping charges for the delivery or collection of the unit, parts of the unit or attachments to the unit are the responsibility of the purchaser. The purchaser must pay transportation charges for any part submitted for replacement under this warranty unless such return is requested by Forest Master.



### 16MW Stand

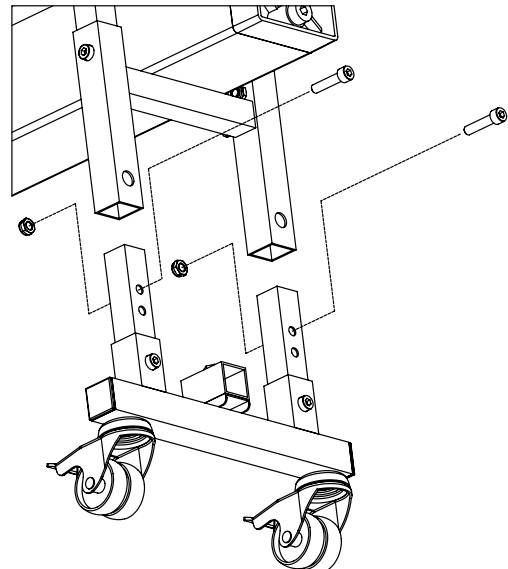
Remove the R-clips from the rear axles and remove each wheel/axle assembly from the legs. retain the R-clips.

Remove the upper bolts holding the front feet and legs to front leg mount and remove the front foot assembly. Keep the nuts and bolts as they will be used in reassembly.



Screw the castors into the front foot. Ensure that a plain washer and a spring washer is placed between each castor and the foot.

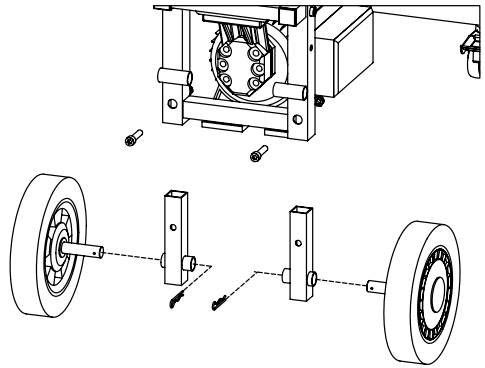
Join the foot assembly to the front leg mount (using the existing nuts and bolts). The bolt should pass through the upper of the two holes in each of the legs as shown.



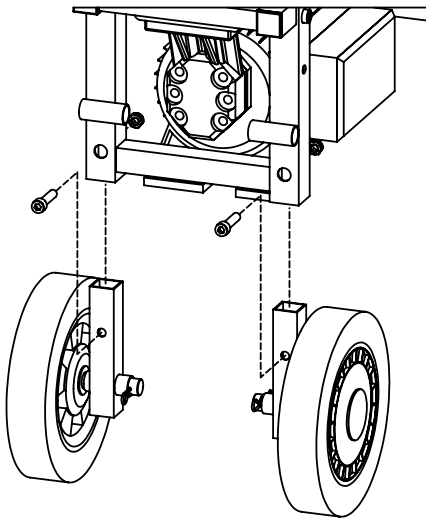




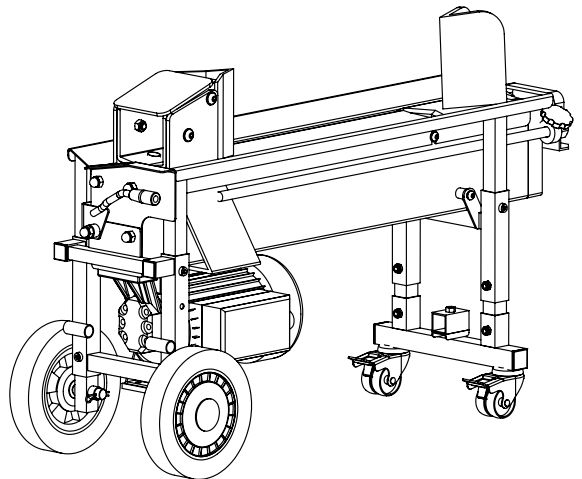
Attach each rear wheel/axle assembly to a short rear leg using the existing R-clips.



Stand Assembly



Attach the rear leg/wheel assemblies to the rear leg mount using the M8x35 bolts and M8 nuts supplied

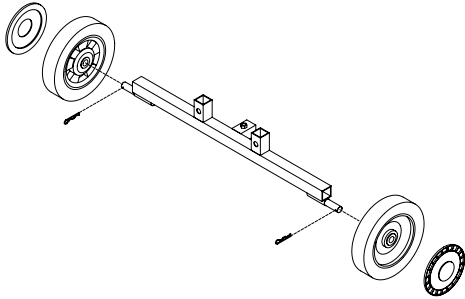
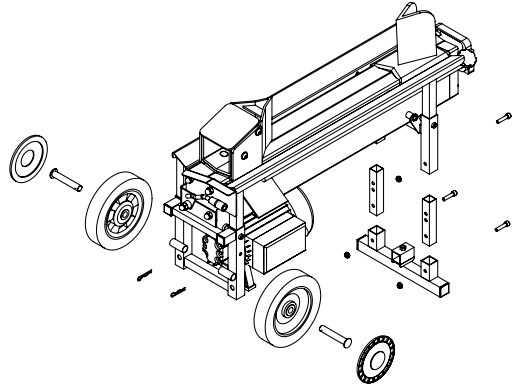




## 16TW Soporte

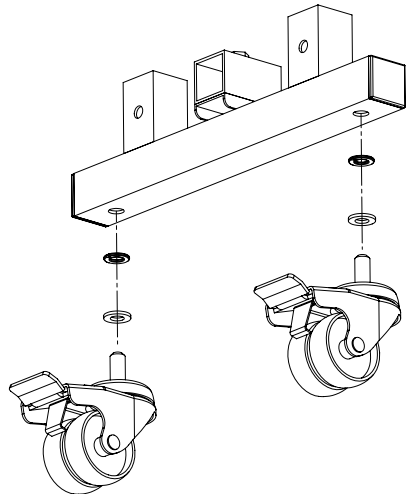
Remove the centre covers from the rear wheels, remove the R-clips (retain) from the ends of the axles, remove the axles and the wheels.

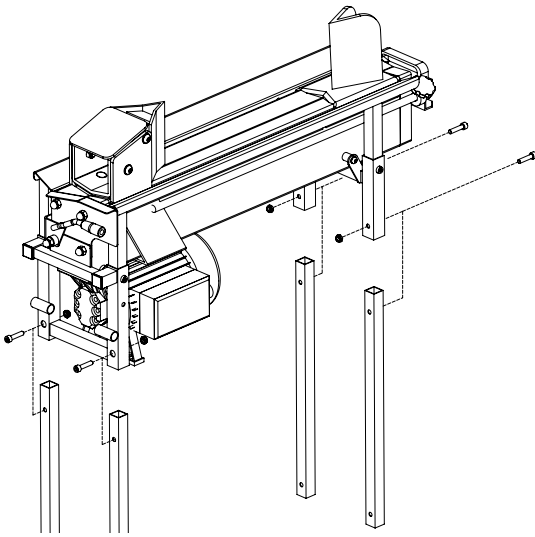
Remove the bolts holding the front foot to the small front legs and remove the foot. Remove the bolts holding the short front legs to the front leg mount and remove the legs. Ensure you keep all nuts and bolts.



Screw the castors into the front foot. Ensure that a plain washer and a spring washer is placed between each castor and the foot.

Place the wheels on the stub axles on the wheel cross beam and secure them with the R-clips. Fit the centre covers to the wheels.



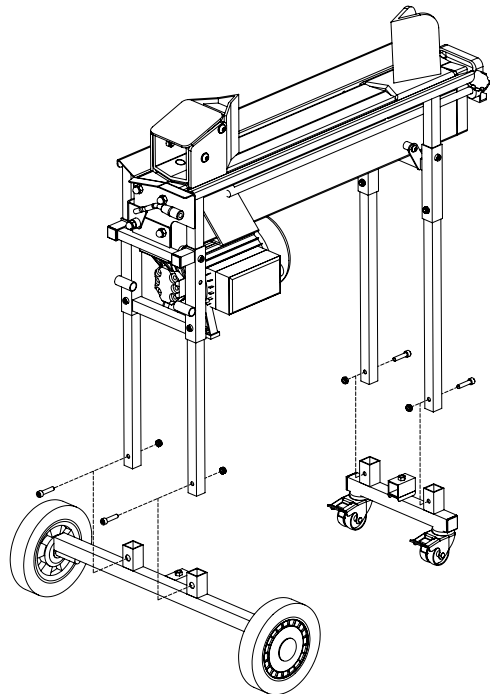


Connect the long rear legs to the rear leg mount using the M8x35 bolts and M8 nuts supplied.

Connect the long front legs to the front leg mount using two of the nuts and two of the bolts removed in the first step.

Connect the rear wheel assembly to the rear legs using the M8x35 bolts and M8 nuts supplied.

Connect the front castor assembly to the front legs using the two remaining M8 bolts and M8 nuts from the first step.

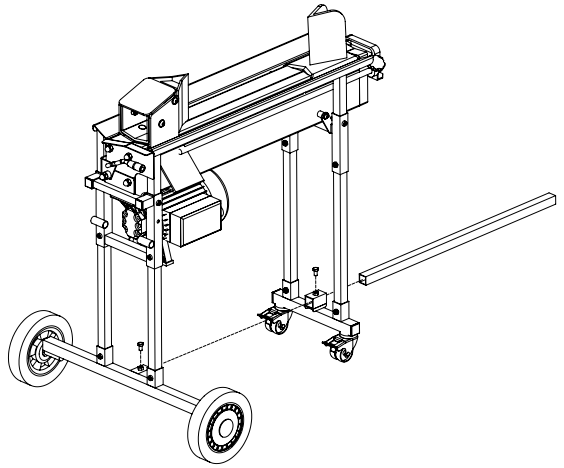




## Stand Assembly

Slide the longitudinal brace, through the guide in the front castor assembly and into the socket on the rear wheel cross beam. Secure it in place with the two hexagonal bolts supplied.

The 16TW stand can also be used with the FM16P petrol version of the log splitter.

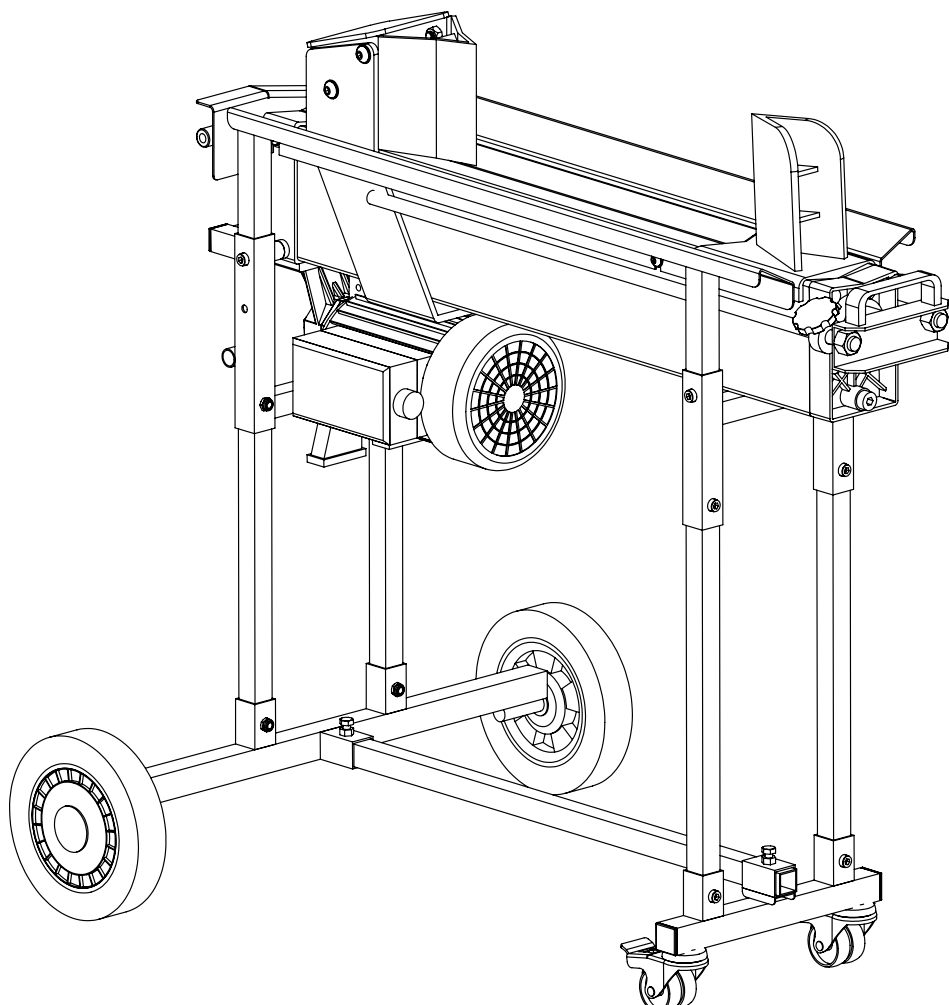


# Holzspalter



WWW.FOREST-MASTER.COM

Typbezeichnung FM16(D/T/TW/P)(Duocut)



de

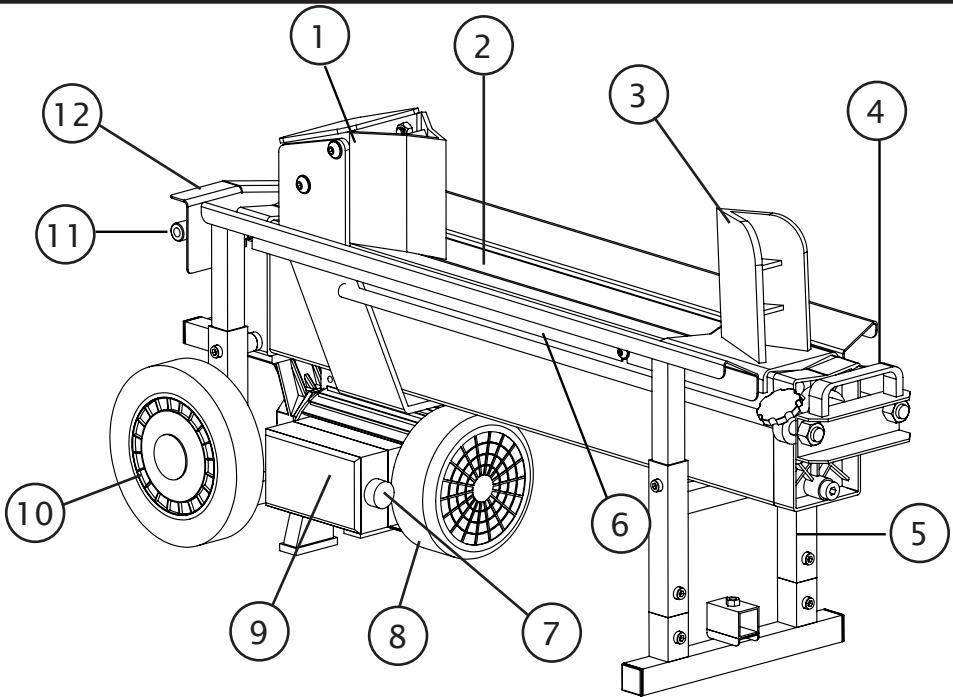
Modell gezeigt FM16TW

**WESENTLICH:** Lesen Sie dieses Handbuch vor der Montage und voll nutzen und beachten Sie alle Sicherheitsregeln und Betriebsanleitung.

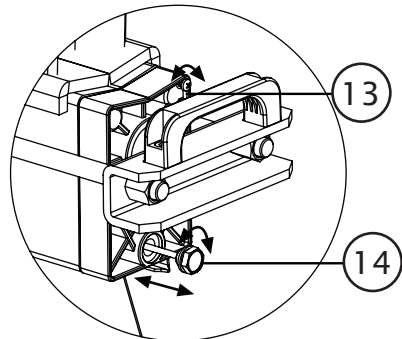


Technische Daten	2
Kennen Sie Ihre Elektrisches Holzspalter	3
Kennen Sie Ihre Benzin Holzspalter	4
Sicherheit	5
Arbeitsweise	9
Wartung	17
Explosionszeichnung	20
Teileliste	21
Gewährleistung	23
Montieren des Ständers	24

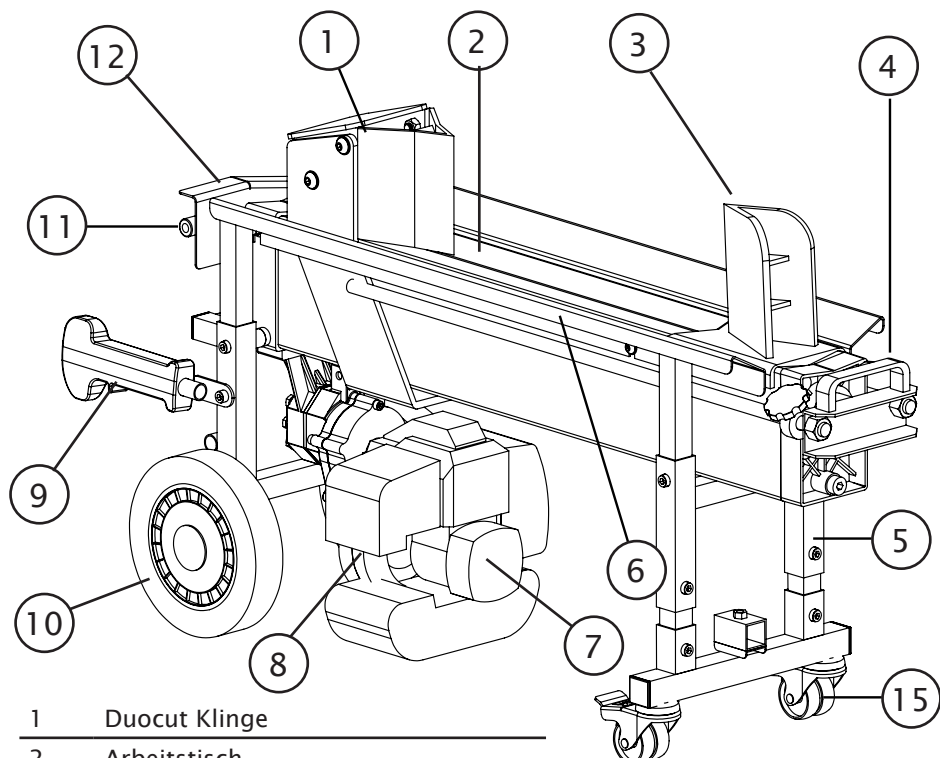
<b>Typbezeichnung</b>	FM16(D/T/TW)	FM16P
Mindestholzdurchmesser	50 mm	50 mm
Maximaler Holzdurchmesser	600 mm	600 mm
Maximale Holzlänge	450 mm	450 mm
Motor / Engine	230V 50Hz 2300W IP54	35 cc 37 cc 52 cc
Werkseitig eingestellt Spaltkraft	7 ton 8 ton 9 ton	7 ton 8 ton 9 ton
Hydraulischer Druck	500 Bar 550 Bar 600 Bar	500 Bar 550 Bar 600 Bar
Ölkapazität	6.5 Litre	6.5 Litre
Länge	1060 mm	1060 mm
Breite	278 mm	278 mm
Höhe	522 mm	522 mm
Gewicht	78 kg	78 kg



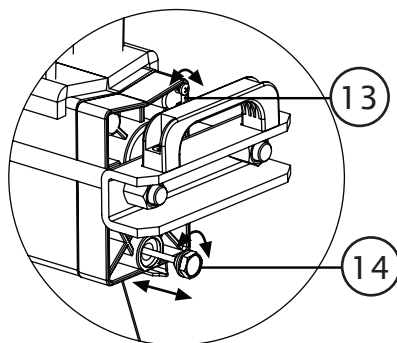
- |    |                             |
|----|-----------------------------|
| 1  | Duocut Klinge               |
| 2  | Arbeitstisch                |
| 3  | Keil                        |
| 4  | Hebgriff                    |
| 5  | Untergestell                |
| 6  | Halter für Holzstück        |
| 7  | Schalter                    |
| 8  | Motor                       |
| 9  | Schalerdose                 |
| 10 | Räder für kleine Bewegungen |
| 11 | Hydraulischer Steuerhebel   |
| 12 | Abdeckung des Steuerhebels  |



Kennen Sie Ihre Elektrisches Holzspalter



- 1 Duocut Klinge
- 2 Arbeitstisch
- 3 Keil
- 4 Hebgriff
- 5 Untergestell
- 6 Halter für Holzstück
- 7 Schalter
- 8 Motor
- 9 Schalterdose
- 10 Räder für kleine Bewegungen
- 11 Hydraulischer Steuerhebel
- 12 Abdeckung des Steuerhebels
- 13 Einstellschraube für Hydraulik
- 14 Ölverschlußschraube mit Meßstab
- 15 Feststellbare Rollen







WWW.FOREST-MASTER.COM

**MACHEN SIE SICH MIT DEM GERÄT VERTRAUT:** Ein sicherer Betrieb der elektrischen Maschine erfordert, daß Sie diese Gebrauchsanleitung sorgfältig und alle Aufkleber, die am Gerät befestigt sind, lesen und verstehen\_ Erlernen Sie seine Anwendungen und Beschränkungen sowie die möglichen Gefahren.

**DROGEN, MEDIKAMENTE UND ALKOHOL:** Bedienen Sie die Maschine nicht, nachdem Sie Medizin eingenommen oder Alkohol getrunken haben. ihre Fähigkeit die Maschine richtig und gefahrlos zu bedienen, wird dadurch eingeschränkt.

**VERMEIDEN SIE GEFÄHRLICHE ARBEITSBEDINGUNGEN:** Stellen Sie die Maschine auf eine Arbeitsbank mit einer Höhe von 60-75 cm, wo der Bediener genug Platz für die Arbeit hat und jederzeit eingreifen kann. Befestigen Sie die Maschine mit Schrauben, falls sie verrutscht oder sich bewegt.

Die Maschine sollte 1.8 m von der Steckdose entfernt sein. Haften Sie Ihren Arbeitsplatz sauber und igut beleuchtet. Ein unordentlicher Arbeitsplatz erhöht das Verletzungsrisiko. Benutzen Sie die Maschine nicht in naßer oder in feuchter Umgebung. Setzen Sie sie ebenfalls nicht Regen aus.

Benutzen Sie die Maschine nicht an Orten, wo Farben, Verdünnung und leicht entzündbare Flüssigkeiten lagern, um eine potentielle Gefahr auszuschließen.

**ÜBERPRÜFEN SIE IHRE MASCHINE VOR DER ANWENDUNG:** Vor Inbetriebnahme der Maschine sollten Sie überprüfen, ob alle Schutzvorrichtungen richtig eingestellt sind. Mad,hen' .Sie es sich zur Gewohnheit, daß vor dem Einschalten der Maschine alle Einstell- und Schraul?schlüssel vom Arbeitsplatz :entfeint werden, daß vor der Benutzung beschädigte oder fehlende Teile ersetzt werden.

**TRAGEN SIE DIE RICHTIGE KLEIDÜNG:** Tragen Sie keine lockere Kleidung, Handschuhe, Ketten oder Schmuckstücke wie z.B. Ringe, Armbanduhren, die in die beweglichen Teile gezogen werden könnten. Sicherheitshandschuhe und — schuhe sind zu der Arbeit Zu. empfehlen. Bei langen Haaren sollten Sie einen Haarschutz tragen, um zu vermeiden, daß die Haare in die Maschine gezogen werden.

Symbol auf der Maschine



Sicherheit





**SCHÜTZEN SIE IHRE AUGEN UND IHR GESICHT:** Bei der Arbeit könnten kleine Gegenstände umherfliegen, die Ihre Augen beschädigen könnten. Tragen Sie daher bei der Arbeit immer eine Sicherheitsbrille. Normale Brillengläser haben einen gewissen Einschlagsschutz; sind jedoch keine Sicherheitsgläser. Bedienen Sie die Maschine nicht direkt auf dem Boden. In dem Fall müssen Sie sich zur Maschine beugen und Ihr Gesicht der Maschine nähern, so daß Sie von den herumfliegenden Holzstückchen verletzt werden könnten.

**BENUTZUNG EINES VERLÄNGERUNGSKABELS:** Falsche Benutzung eines Verlängerungskabels kann zur Überhitzung der Maschine führen. Vergewissern Sie sich, daß das Verlängerungskabel maximal 10 m lang ist und einen minimalen Leitungsquerschnitt von 2.5 mm<sup>2</sup> besitzt. Wenn das Kabel zu lang oder einen zu kleinen Querschnitt besitzt, kann es zu einem Leistungsverlust führen, wodurch der Motor nicht mit voller Leistung arbeiten kann.

Benutzen Sie kein unisoliertes Kabel. Das Kabel sollte isoliert und für die Anwendung im Freien geeignet sein.

**VERMEIDEN SIE EINEN ELEKTRISCHEN SCHLAG:** Überprüfen Sie, ob die Stromversorgung richtig geschützt ist und ob sie mit dem Nennstrom, der Nennspannung und der Nennfrequenz des Motors übereinstimmt. Überprüfen Sie, ob ein Erdungsanschluß vorhanden ist, sowie ein Fehlerstromschutzschalter.

Vergewissern Sie sich, daß die Maschine geerdet ist. Vermeiden Sie den Körperkontakt mit geerdeten Gegenständen wie z. B. Röhren, Heizkörpern, Herden und Kühlschränken.

Öffnen Sie niemals die Schalterabdeckung des Motors. Wenn es notwendig sein sollte, setzen Sie sich mit einer qualifizierten Person in Kontakt.

Beim Ein- oder Ausstecken sollten Ihre Finger keinen Stift des Steckers berühren.

Symbol auf der Maschine





WWW.FOREST-MASTER.COM

Symbol auf  
der Maschine

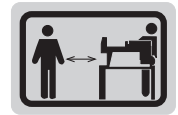
Sicherheit

**VERMEIDEN SIE VERBRENNUNGEN:** Kontakt mit heißem Öl, Abgase und heißen Oberflächen vermeiden. Den Motor oder die Auspuff nicht berühren, erhalten diese Teile sehr heiß aus Betrieb und bleiben eine Zeit lang heiß, nachdem das Gerät ausgeschaltet ist. Lassen Sie den Motor, bevor Sie Wartungsarbeiten und Einstellungen zu kühlen.

**BENZINMOTOR:** Immer den Motor abstellen, bevor Sie das Gerät bewegen. Nicht verändern oder anzupassen irgendeinen Teil der Maschine oder des Motors, die durch den Hersteller oder Vertreiber abgedichtet ist. Prüfen Sie stets vor der Verwendung, wie in der Hersteller-Handbuch festgelegt. Die Motor-Regler-Einstellungen oder Über drehzahl des Motors nicht ändern. Der Regler regelt die maximale zulässige Betriebsdrehzahl des Motors.

Lassen Sie den Motor nicht mit hoher Geschwindigkeit, wenn Sie nicht arbeiten.

**HALTEN SIE KINDER UND BESUCHER FERN:** Die Maschine darf nur von einer Person bedient werden. Sonstige Personen sollten während des Betriebs der Maschine einen sicheren Abstand zum Arbeitsplatz einhalten. Fragen Sie niemals eine zweite Person ein verklemmtes Holzstück aus der Maschine zu entfernen.



**PRÜFEN SIE DAS HOLZSTÜCK:** Vergewissern Sie sich, daß keine Nägel oder- sonstige Gegenstände am Holzstück sind. Die beiden Ende des Holzstücks sollte flach geschnitten sein. Die Zweigen sollte flach weggeschnitten sein.

**STEHEN SIE SICHER UND FEST:** Der Fußboden darf nicht rutschig sein.

Stehen Sie richtig und fest auf dem Boden, um Ihr Gleichgewicht nicht zu verlieren. Stehen Sie niemals auf der Maschine. Es kann zu schweren Verletzung führen, wenn die Maschine umgekippt oder andere scharfen Teile berührt werden. Lagern Sie keine Gegenstände in der Umgebung, so daß die Maschine als Leiter benutzt werden könnte.



**VERMEIDEN SIE VERLETZUNG DURCH UNFÄLLE:** Achten Sie immer auf den Stoßkeil während der Bearbeitung. Legen oder entnehmen Sie keine Holzstücke solange die Maschine noch läuft. Halten Sie Finger und Hände von den beweglichen Teilen fern.

**SCHÜTZEN SIE IHRE HÄNDE:** Halten Sie Ihre Finger und Hände von Spalten und Öffnungen im Holzstück fern. Sie können sich plötzlich schließen und zu schweren Verletzungen führen. Entnehmen Sie kein verklemmtes Holzstück mit Ihren Händen.

**DIE MASCHINE SOLLTE NICHT ÜBERLASTET WERDEN:** Benutzen Sie die Maschine am besten und sichersten im angegebenen Leistungsbereich. Versuchen Sie, nicht das Holzstück, das die in der folgenden Tabelle 'gegebenen Dimensionen überschreitet, zu spalten, dadurch könnten die Maschine beschädigt und Personen verletzt werden.

Benutzen Sie die Maschine nur für den vorgesehenen Zweck.

**LASSEN SIE DIE LAUFENDE MASCHINE NIEMALS UNBEAUFSLICHTIG:** Verlassen Sie die Maschine nicht bevor sie komplett steht.

**AUSSTECKEN DER MASCHINE:** Falls die Maschine nicht benutzt wird, Teile eingestellt oder gewechselt werden, sowie vor der Reinigung und Pflege muß die Maschine ausgesteckt werden. Vor der Pflege sollten Sie die Gebrauchsanleitung nochmals genau durchlesen.

**SCHÜTZEN SIE DIE UMWELT:** Gebrauchtes Öl sollte zu einer autorisierter Entsorgungsstelle gebracht oder nach den Nationalen Vorschriften entsorgt werden. Leeren Sie das Öl nicht in die Abflüsse, auf die Erde oder ins Wasser.

**PFLEGEN SIE IHRE MASCHINE SORGFÄLTIG:** Um ein bestmögliche Funktion und sichere Arbeit zu gewährleisten, halten Sie die Maschine sauber.

**MACHEN SIE IHRE WERKSTATT KINDERSICHER:** Schließen Sie Ihre Werkstatt ab, schalten Sie den Hauptschalter aus. Lagern Sie die Maschine so, daß Kinder und unqualifizierte Personen sie nicht erreichen können.

Symbol auf der Maschine





## BETRIEBSBEDINGUNGEN

Das Gerät ist nur für den Hausgebrauch bestimmt. Die Arbeitstemperatur der Maschine beträgt +5°C bis +40°C. Für den Betrieb sollte 1000 m Meereshöhe nicht überschritten werden. Die Luftfeuchtigkeit beträgt max. 50 % bei 40°C. Die Temperatur während des Transportes sollte zwischen -25°C bis +55°C sein.

## ELEKTRISCHE ANFORDERUNGEN

Diese Maschine darf nicht an eine TN-S Stromversorgung angeschlossen werden. Eine Sicherung (12A) mit FI Schutzhalter (30mA) muss installiert sein fuer die Versorgung dieser Maschine damit Personen vor Gefahr indirekter Stromschlaege geschuetzt sind.

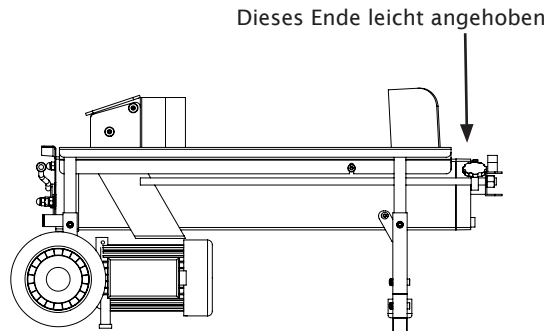
Schließen Sie das Netzkabel an ein Standard 230V  $\pm$  10% (50Hz  $\pm$  1%Hz) Stromversorgungsnetz an. Das Versorgungsnetz muss über folgende Schutzvorrichtungen verfügen: Über und Unterspannungsableiter, Überstrom und Fehlerstromschutzeinrichtung (RCD) mit einer maximalen Fehlerstromrate von 0.03A. Das Stromnetz benötigt eine (12A) träge Sicherung.

Dieses Gerät ist mit einem 3-poligen Netz UK Stromstecker ausgestattet und ist mit einem 2-Pin-Adapter für die Verwendung bei Bedarf zugeführt. Nehmen Sie nicht den 3-Pin-Stromnetz-Stecker und passen ein 2-Pin-Stromnetz-Stecker.

## POSITIONIERUNG DER HOLZSPALTER

Der Holzspalter sollte Ebene positioniert werden oder vorzugsweise mit dem Ende, wo der feste Keil, leicht angehoben positioniert. Eine Differenz von 5 mm über die Länge des Holzspalters ist ausreichend.

Es sollte nicht mit dem feststehenden Keil positioniert sein Ende niedriger als die Betriebstemperatur Griffende, da dies den Fluss von Öl zu der Pumpe zu begrenzen.



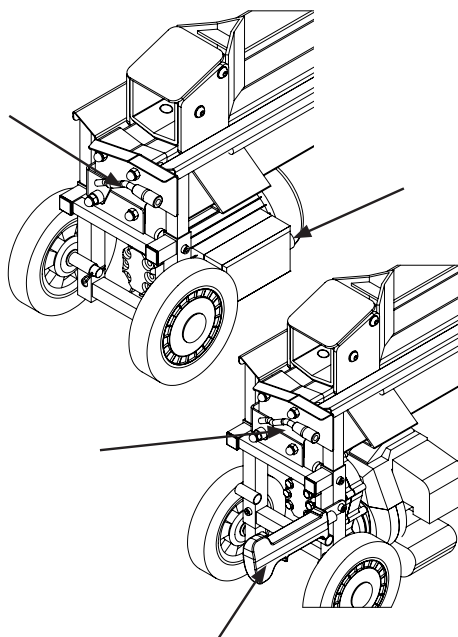
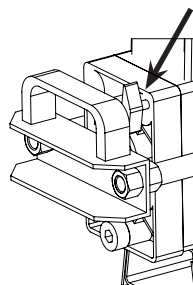


## EINSTELLSCHRAUBE FÜR HYDRAULIK

Bevor Sie die Spaltmaschine in Betrieb nehmen, lösen zuerst die Einstellschraube für Hydraulik mit ein paar Umdrehungen bis genügend Luft in den Ölbehälter gelangen kann.

Während des Betriebs sollte die Luftzirkulation durch das Loch der Einstellschraube für Hydraulik gewährleistet werden.

Bevor Sie die Spaltmaschine bewegen, vergewissern Sie sich, daß die Einstellschraube für Hydraulik festgezogen ist, um ein Ölleck an dieser Stelle zu vermeiden.



Die Spaltmaschine ist mit einer "ZHB" Schutzvorrichtung ausgestattet, das heißt die Maschine muß mit beiden Händen bedient werden — mit der linken Hand wird der Steuerungshebel bedient und mit der rechten Hand der Schalter am Motor. Wenn irgendeine Hand fehlt, bleibt die Maschine stehen. Nur wenn beide Hände in Position sind, wird der Anschlag rückwärts zu der Start-Position geschoben. So teilen Sie ein Holzstück, drücken und halten Sie die Taste, um den Elektromotor zu starten (oder Drossel für den Benzinmotor), dann bewegen Sie den Hebel den Widder zu wechseln. Niemals den Hebel bewegen, bevor Sie die Taste oder die Drossel drücken.



**WESENTLICH:** Wenn die Einstellschraube für Hydraulik nicht gelöst ist, wird die Luft im Hydraulischen System komprimiert bzw. dekomprimiert. Dadurch wird Abdichtung des Hydraulischen Systems zerstört und die Maschine dauerhaft beschädigt.



Die Spaltkraft und Geschwindigkeit werden durch die 2-Stufen-Steuerhebel geregelt. Schieben Sie den Hebel auf der 1. Position (etwa auf halbem Weg) gibt schneller Geschwindigkeit und weniger Kraft zum Spalten weicher Protokolle. Schieben auf die 2. Position sorgt für maximale Kraft bei einer geringeren Geschwindigkeit für das Aufspalten hart und erfahrene Protokolle. Die Stufen können durch einfaches Anheben und Absenken des Hebels verschoben werden.

### **BENZINMOTOR (FM16P)**

Der Benzinmotor wird ohne Treibstoff geliefert. Vor dem Gebrauch, füllen Sie den Tank, wie in der Motorenhersteller Handbuch enthalten getrennt angegeben. Beachten Sie, dass die FM16P kann mit einem 2-Takt oder 4-Takt-Motor geliefert werden, finden Sie in der Motorenhersteller Handbuch (im Lieferumfang enthalten), um zu überprüfen, welche Art Sie haben. Wenn Sie nicht über den Motorenhersteller Handbuch haben, kontaktieren Forest Master. Starten Sie den Motor, das Verfahren in der Motorenhersteller Handbuch gegeben werden.

### **FETTEN SIE DEN ARBEITSTISCH**

Einige Arten von Holz kann eine Menge Saft enthalten, die gelegentlich in die Log-Bett des Holzspalters haften. Dies kann die Kunststoffabstandshalter unter der Laufschaufel oder Schieber haben, die an der Arbeitsfläche zu halten, die Klinge verursachen möglicherweise Ruck und der Abstandshalter weg von der Unterseite der Klinge zu ziehen.

Um dies zu vermeiden, ist es empfehlenswert, um das Bett des Holzspalter vor dem ersten Gebrauch und danach in regelmäßigen Abständen zu schmieren.

Wenn der Kunststoff-Abstandshalter aus unter der Klinge oder Schieber gezogen, verwenden Sie nicht den Holzspalter, bis die Distanz wurde umgerüstet.



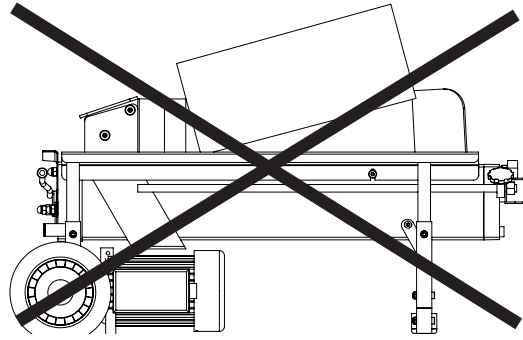
**WESENTLICH: Verwenden Sie niemals die Maschine ohne die Kunststoffscheibe unter der Klinge ausgestattet.**



WWW.FOREST-MASTER.COM

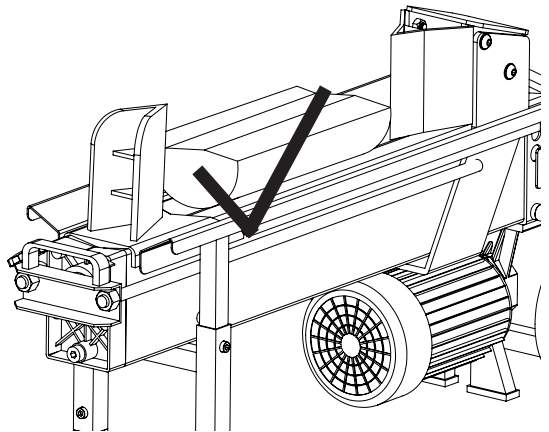
## Arbeitsweise

Setzen Sie das Holzstück immer fest in die Halterung und auf den Arbeitstisch. Vergewissern Sie sich, daß das Holzstück während des Betriebs der Maschine nicht verrutscht. Drücken Sie den Keil nicht mit Gewalt an den oberen Teil des Holzstücks, dadurch wird der Keil oder die Maschine beschädigt.



Spalten Sie das Holzstück entsprechend der Maserung. Setzen Sie niemals das Holzstück quer in der Maschine, dies kann zu Verletzungen von Personen oder zu Beschädigungen der Maschine führen. Spalten Sie nicht 2 Holzstücke zugleich, eins davon könnte abrutschen und Sie verletzen.

Wenn Aufteilen eines Holzstück, das bereits aufgespalten hat, immer zu positionieren Sie das Holzstück, so dass die geteilte Fläche nach oben zeigt und die Rinde bedeckt Außenfläche des Holzstück gegen das Bett des Holzspalter.



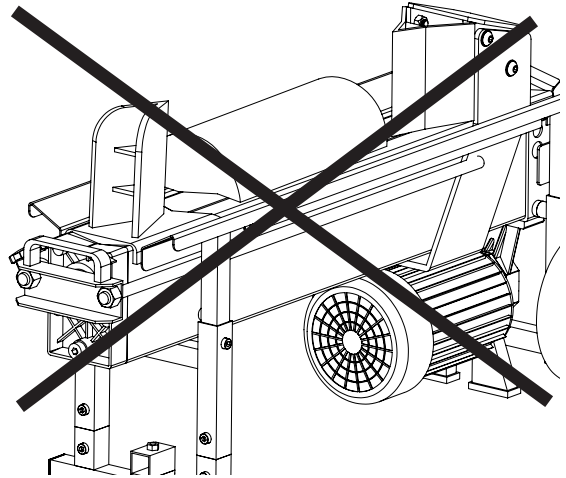
**WICHTIG:** Versuchen Sie nicht, Holzstück über das Korn aufgeteilt.





WWW.FOREST-MASTER.COM

**NIEMALS** einen Scheitholz mit der geteilten Fläche oder Flächen gegen das Bett des Holzspalter, da dies das Scheitholz in Marmelade gegen die Log-Schienen führen, wie es teilt, wodurch Biege- und möglicherweise brechen die Log-Schienen und möglicherweise den Körper des Holzspalter.



Arbeitsweise

Nach 5 Sekunden des Vorgangs das Drucköl wird überhitzt werden, und die Maschine beschädigen. Im solch einem Fall drehen Sie das Holzstück um 90°, versuchen Sie nun das Holzstück in der anderer Richtung zu spalten. Wenn das Holzstück nach allen Versuchen nicht gespaltet werden kann, ist das Holzstück zu hart für den Leistungsbereich der Maschine. Entnehmen Sie das Holzstück aus der Maschine und spalten Sie ein anderes Stück.

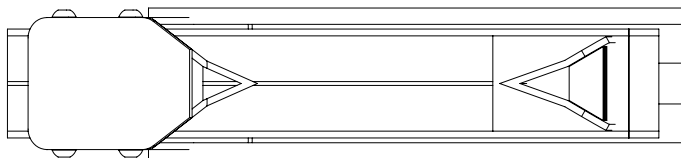


**WESENTLICH:** NIEMALS einen Scheitholz mit der geteilten Fläche oder Flächen gegen das Bett des Holzspalter.

**WESENTLICH:** Versuchen Sie niemals länger als 5 Sekunden mit Gewalt ein hartes Holzstück zu spalten.



## ÜBERPRÜFEN DER DUOCUT KLINGE AUSRICHTUNG

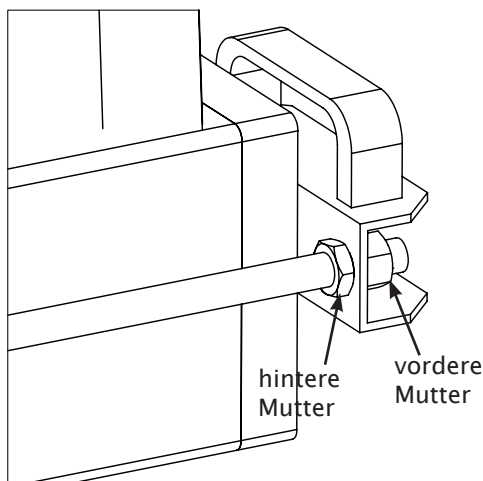


Vor der Spaltung jegliche Holz, sollte die Ausrichtung der Klinge Duocut geprüft und bei Bedarf angepasst werden. Die Duocut Klinge sollte zeigen entlang der Mittellinie des Bettes Splitter und ausrichten mit dem Rand der feste Klinge.

Zum Einstellen der Ausrichtung des Duocut Klinge, anziehen oder lösen die Muttern am vorderen Ende der jedes der Wiege Arme zu erhöhen oder verringern ihre Spannung.

Um die Spannung zu erhöhen, schalten Sie die hintere Mutter gegen den Uhrzeigersinn, um es zu lösen, dann drehen Sie die vordere Mutter im Uhrzeigersinn zu.

Um die Spannung zu verringern, biegen Sie die vordere Mutter gegen den Uhrzeigersinn zu lösen es dann es zu verschärfen im Uhrzeigersinn drehen, die hintere Mutter.dans le sens horaire pour la serrer.





## Wartung der beweglichen Klinge im Gebrauch

Ihre Duocut elektrischen Holzspalter wird in den meisten Fällen einen Knoten in das Holz zu behandeln, ohne ein Problem. Wenn eine der beiden Klingen stoßen einen Knoten, wird der Holzspalter einfach aufhören Spaltung an der Klinge, die den Knoten trifft und weiter Aufspaltung auf der anderen Klinge.

Jedoch gibt es eine Möglichkeit, dass, wenn das bewegliche Duocut Klinge trifft auf einen Knoten in einem flachen Winkel, dann anstatt der Klinge Stoppen, kann die Klinge weg von der Mittellinie ausgelenkt werden. In diesem Fall, wenn Sie weiterhin das Holz spalten, können die Arme der sich bewegenden Klinge Schlittens gebogen aus der Ausrichtung zu werden.

Wenn Spalten von Holz, sollten Sie deshalb die bewegte duocut Klinge zu überwachen und, wenn Sie bemerken wobei die Klinge weg von der Mittellinie des Spalter abgelenkt, müssen Sie Splitting sofort zu stoppen. Nachdem die Klinge bis zum Anschlag zurück sollten Sie die Protokoll um 90 Grad um die Längsachse drehen und versuchen Aufspaltung des Holz erneut.

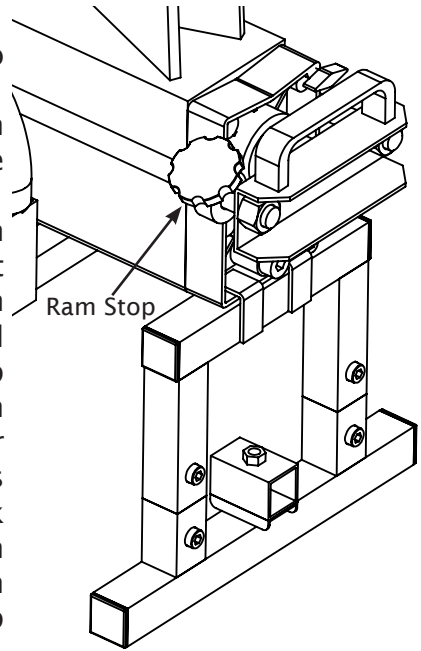
Um die Möglichkeit eines Knotens Ablenken der Klinge zu reduzieren. Es wird empfohlen, Protokolle, die einen sichtbaren Knoten haben, wobei der Knoten ist vertikal zu platzieren. Beachten Sie jedoch, wie auf Seite 13 erklärt, nie stellen ein Protokoll mit einem Split-Gesicht auf das Bett des Holzspalter, um einen Knoten vertikal zu positionieren.



### RAM STOP

Lösen Sie den Knopf auf der Ram Stop, so dass sich frei auf der Stange gleiten. Betreiben Sie den Holzspalter um den Ram nach vorn auf die erforderliche Länge zu verschieben.

Halten den operativen Hebel, um sicherzustellen, dass der Ram nicht zurückkehrt, positionieren Sie die Ram Stop gegen die Front des Splitters und ziehen Sie den Regler mit. Die Ram-Stop einstellbar durch einfach herausdrehen des Reglers und Rutschen entlang der Wiege-Leiste, der Ram kann vorwärts abhängig von der Länge das Holzstück verschoben werden müssen, die Sie teilen möchten. Der operative Hebel muss in stattfinden, statt, wenn der Ram Stop abschrauben oder der Ram zurück.



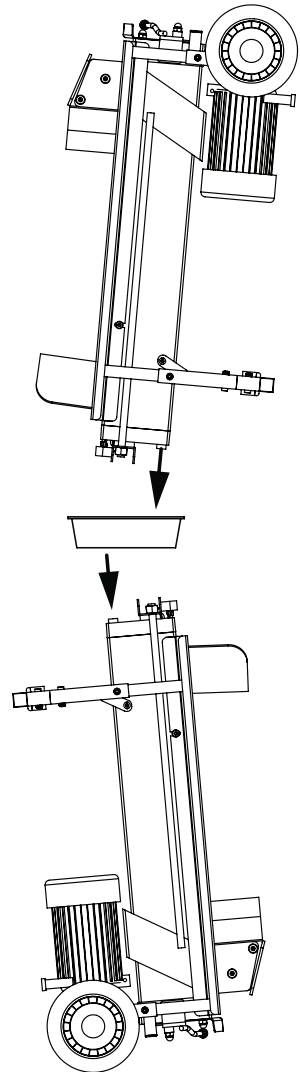
**WESENTLICH:** Stellen Sie sicher, der Motor wird abgeschaltet und verwenden nur den operativen Hebel, um den Ram in Position zu halten, wenn die Ram Stop anpassen.



## WECHSEL DES HYDRAULIKÖL'S

Das Hydrauliköl muß ca. alle 150 Arbeitsstunden durch neues Öl ausgewechselt werden. Dazu verfahren Sie wie folgt;

- Vergewissern Sie sich, daß alle beweglichen , Teile stehen bleiben und die Maschine ausgesteckt ist.
- Lösen Sie die Kappe des Ölbehälters mit dem Meßstab und nehmen Sie sie ab.
- Stellen Sie einen Behälter mit einer Kapazität von 8 L unter die Maschine und neigen Sie dann die Maschine mit dem Fuß nach unten, um das restliche Öl auszuleeren.
- Neigen Sie die Maschine in die andere Richtung.
- Füllen 'Sie eines der beschriebenen Ölsorten nach der Kapazität des Ölbehälters ein.
- Reinigen Sie die Außenseite des Meßstabs. Halten Sie die Spaltmaschine senkrecht und stecken Sie den Meßstab wieder in den Ölbehälter ein.
- Vergewissern Sie sich, daß der Ölstand zwischen den zwei Markierungen liegt.
- Reinigen Sie die Kappe und ziehen Sie sie fest. Bevor Sie die Maschine wieder waagrecht stellen, vergewissern Sie sich, daß die Kappe festgezogen ist, um ein Ölleck zu vermeiden.



Läberprüfen Sie regelmäßig den Ölstand mit dem Ölneßstab. Der Ölstand sollte immer zwischen den beiden Markierungen sein. Wir empfehlen die Verwendung ISO 46 Grad Hydraulikflüssigkeit, die manchmal als # 46 Grad Hydrauliköl bezeichnet.



### **SCHÄRFEN DES MESSERS**

Nach der Verwendung der Holzspalter für einige Zeit, schärfen den Keil der Holzspalter mit einem feinen Feile und glatt Grate oder zerdrückt Gebiet entlang der Schneidkante.

### **LAUFWAGEN**

Wenn neue, kann es bemerkt werden, dass gelegentlich die bewegenden Wagen langsam zurückkommen oder nicht in vollem Umfang zurück, wenn die Kontrollen freigegeben werden. Dies ist auf die notwendige enge Passung zwischen der Kunststoffabstandshalter, die unter und an den Seiten des Schiebers oder Duocut Klinge ausgestattet ist. Bei Verwendung dieser Abstandshalter wird so zu tragen, daß der Wagen korrekt zurück.

Wenn nach den Holzspalter für eine Weile, ist der Wagen immer noch langsam zurück oder kehrt nicht vollständig, das Verfahren wie folgt vor.

Legen Sie den Splitter auf der einen Seite und entfernen Sie die beiden Schrauben, die Klinge auf dieser Seite. Entfernen Sie die Unterlegscheiben von der Außenseite des Wagens und legen Sie sie zwischen dem carriage und dem Klinge. Wenn es schwierig ist, die Scheiben in dann kann die Lücke mit einem flachen Schraubendreher geöffnet werden, zu bekommen.

Testen Sie den Holzspalter und wenn der Wagen immer noch nicht korrekt zurückkehrt, wiederholen Sie den Vorgang mit den Schrauben auf der Gegenseite.

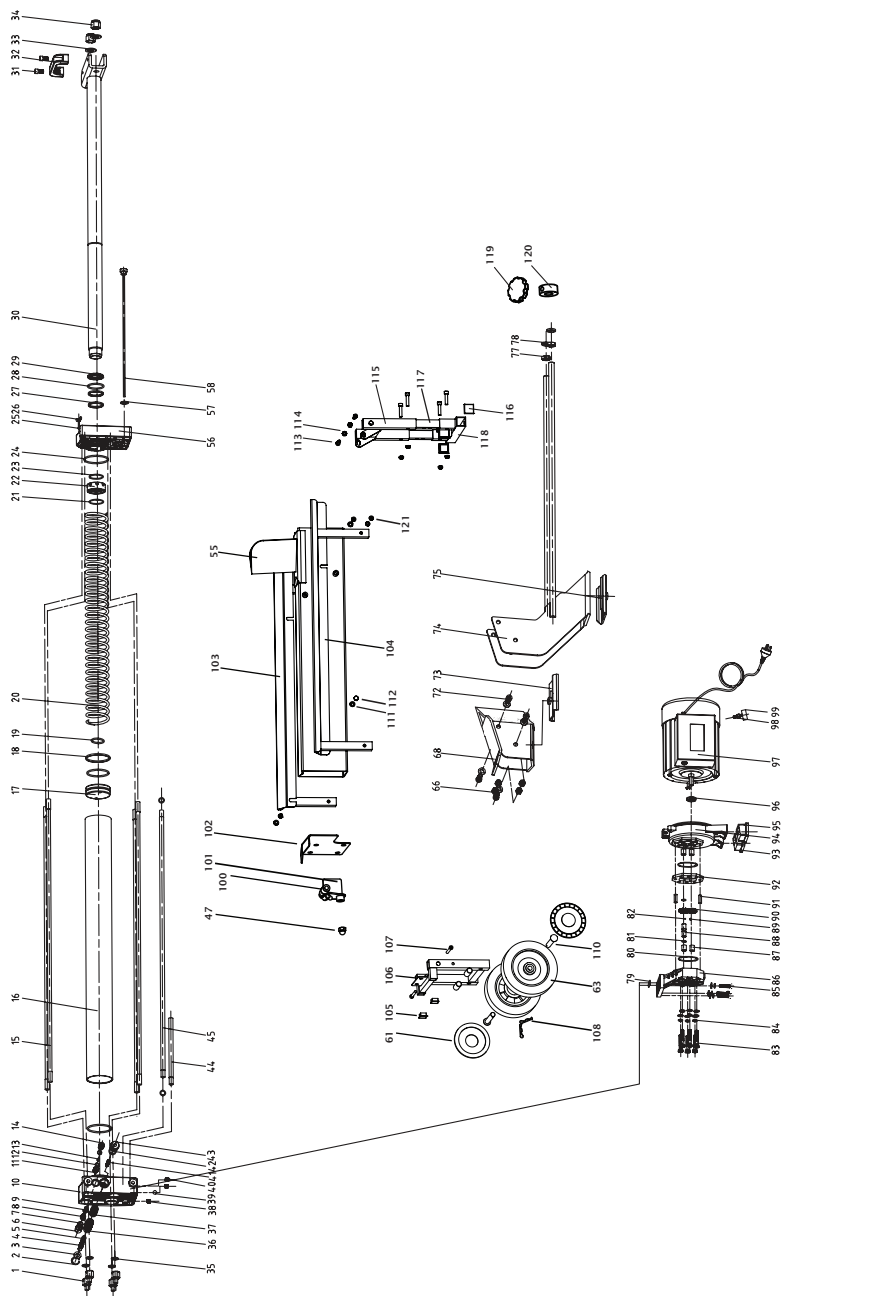
Beachten Sie, dass, wenn die Kunststoffabstandshalter hat schließlich im Bett, ist es empfehlenswert, um die Scheiben nach außen Position zurück.

### **BENZINMOTOR**

Für die Wartung und Fehlersuche des Benzinmotors, siehe Handbuch des Herstellers separat enthalten.



PROBLEM	VERMUTLICHE URSACHE	LÖSUNG
Holzstück wird nicht gespalten	Holz ist falsch positioniert	Lesen Sie den Abschnitt "Betrieb" für die korrekte Beladung eines Holzstück
	Die Größe oder Härte des Holzes überschreitet die Kapazität des Holzspalters	Reduzieren Sie die Größe des Holzes, bevor Sie es vom Holzspalter spalten lassen
	Schneidekante ist stumpf	Lesen Sie den Abschnitt "Schärfen Messers"
	Öl leckt	Suchen Sie die Lecks und haben von einer qualifizierten Person repariert
	Niederdruck durch unbefugtes Verstellen verursacht war der Max. Druckbegrenzungsschraube.	Kontaktieren Sie Ihren Fachhändler
	Teilweise Blockierung der Pumpe Öl Wege.	Drehen Sie die Splitter auf den Kopf. Lösen Sie die 3 Schrauben Befestigung der Pumpe an der Unterseite der hinteren Endplatte. Überprüfen Sie die Öl Wege in der Pumpe und der Endplatte auf Anzeichen einer Blockade.
Der Holzspalter ist ruckelt, so ungewohnten Geräusche oder vibriert viel	Hydrauliköl fehlt und zu viel Luft im Hydrauliksystem	Hydrauliköl fehlt und zu viel Luft im Hydrauliksystem
Öllecks am Zylinder ram oder von anderen Punkten	Luft versiegelt im Hydrauliksystem während des Betriebs	Lösen Entlüftungsschraube von 3 ~ 4 Umdrehungen vor der Inbetriebnahme des Holzspalters
	Entlüftungsschraube nicht, bevor Sie den Holzspalter angezogen	Anziehen Entlüftungsschraube vor dem Transport des Holzspalter
	Ölablassschraube mit Ölmesstab ist nicht dicht	Anziehen Ölablassschraube mit Ölmesstab
	Hydraulische Steuereinrichtung und / oder Dichtung getragen	Kontaktieren Sie Ihren Fachhändler







<b>Teil</b>	<b>Bezeichnung</b>
1	Nut
2	Snap Washer
3	Washer 10x2
4	Valve Rod
5	O-ring 8.75x1.8
6	Safety Valve Spring Base
7	O-ring 11.2x2.65
8	Safety Valve Spring
9	Safety Valve Core
10	Cylinder Cover Rear
11	Safety Valve Core
12	O-ring 10.6x1.8
13	Sfty Valve Core Adjust Spring
14	Adjusting Spring Base
15	Stud
16	Cylinder
17	Piston
18	Piston Ring
19	O-ring 35.5x3.55
20	Restoring Spring
21	Circlip
22	Snap Washer
23	O-ring 38.7x2.65
24	O-ring 64.4x3.1
25	O-ring 7x1.9
26	Bleed Screw M5x12
27	Wear Resisting Belt
28	O-ring
29	Piston Seal

<b>Teil</b>	<b>Bezeichnung</b>
30	Piston Rod
31	Hex Bolt M8x20
32	Handle
33	Washer 16
34	Nut M16
35	Copper Washer 12
36	Valve Rod
37	O-ring 17x1.8
38	Screw M10x8
39	Steel Ball 8.5
40	Screw M10x8
41	Valve Rod Restore Spring
42	O-ring 16x2.65
43	Valve Base
44	Intake Hose
45	Connection Hose
47	Lever Nut
55	Tube Frame
56	Cylinder Cover Front
57	Dipstick Washer
58	Dipstick
61	Wheel Cover
63	Wheel
66	Nut M10
68	Duocut Blade
72	Hex Bolt M10x30
73	Plastic Insert Upper
74	Moving Carriage
75	Plastic Insert Lower



Teil	Bezeichnung
76	Support Leg
77	Thin Nut M16
78	Spring Washer 16
79	O-ring 10.6x2.65
80	O-ring 46.2x1.8
81	Gear Shaft Snap Washer
82	Steel Ball 2.5
83	Bolt M8x30
84	Spring Washer 8
85	Bolt M8x30
86	Pump Cover
87	Sleeve Bearing
88	Gear Shaft
89	Pin 2.5x4
90	Gear
91	Pin 8x24
92	Gear Housing Plate
93	Motor Support Shoe Left
94	Motor Cover
95	Motor Support Shoe Right
96	Seal
97	Motor Assembly
100	Lever Knob
101	Operating Lever
102	Lever Guard
103	Log Guide Rail Left
104	Log Guide Rail Right
105	Plastic End Cap
106	Rear Leg Mount

Teil	Bezeichnung
107	M8 x 60 Bolt
108	R-Clip
110	Axle
111	M8 Washer
112	M8 x 10 Bolt
113	M8 x 35 Bolt
114	M8 Nut
115	Front Leg Mount
116	Plastic End Cap
117	Front Leg Small Joiner
118	Front Foot
119	Ram Stop Hand Wheel
120	Ram Stop Collar
121	M8 x 25 Bolt



## Gewährleistung

Dieses Produkt trägt ein drei (3) Jahr beschränkte Garantie auf Verarbeitung und Material. Sollte das Produkt defekt geworden innerhalb der angegebenen Garantiezeit, bringen Sie es in den Laden mit dem Kaufbeleg, und es wird ersetzt oder kostenlos repariert werden. Bitte halten Sie Ihren Kaufbeleg, da dies für Ansprüche erforderlich.

**WICHTIG: WIR ÜBERNEHMEN KEINE VERANTWORTUNG FÜR DAS PRODUKT REPARIEREN ODER ZU ERSETZEN, WENN DER SCHADEN DURCH UNSACHGEMÄSSE GEBRAUCH DES PRODUKTS VERURSACHT. ÄNDERUNGEN AN DIESEM PRODUKT (ES SEI DENN, FOREST MASTER HAT DIE ÄNDERUNG GENEHMIGT) WIRD ERLÖSCHEN DER GARANTIE.**

### Diese Garantie Gilt Nicht Für:

1. Jedes Teil, das nicht mehr funktionieren aufgrund von Missbrauch, Vernachlässigung, Unfall, unsachgemäße Wartung oder Veränderung;
2. Die Einheit, wenn es nicht betätigt wurde und / oder in Übereinstimmung mit der Bedienungsanleitung gepflegt;
3. normaler Verschleiß;
4. Routinemäßige Wartungsarbeiten, wie Gleitmittel, Messerschleif;
5. Normale Verschlechterung der Außenverkleidung durch die Nutzung oder Exposition.

### Versandkosten:

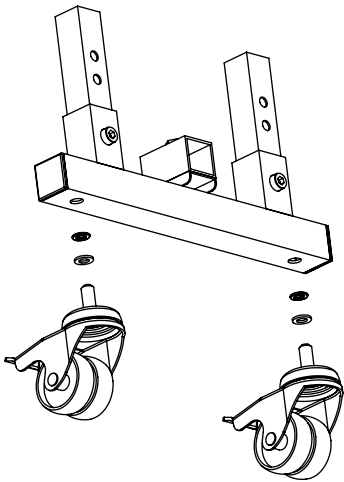
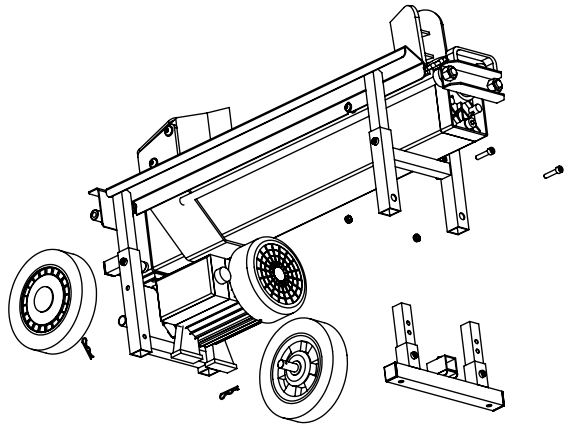
Die Versandkosten für die Lieferung oder Abholung des Gerätes Geräteteile oder Zusatzgeräte an das Gerät sind die Verantwortung des Käufers. Der Käufer hat die Transportkosten für jeden zum Austausch zurückgesendeten Rahmen dieser Garantie, sofern eine solche Rückkehr wird von Wald-Master angefordert Teil zu zahlen.



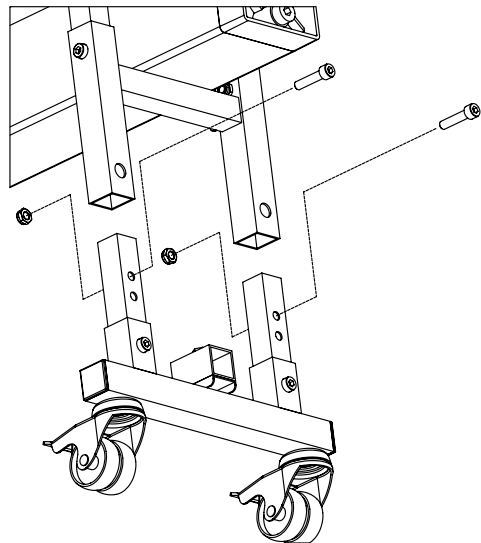
## 16MW Ständers

Entfernen Sie die R-Clips aus den Hinterachsen und entfernen Sie jedes Rad / Achsbaugruppe von den Beinen. behalten die R-Clips.

Entfernen Sie die oberen Schrauben, die die vorderen Füße und Beine auf den vorderen Beinhalterung und entfernen Sie den vorderen Fuß Montage befestigen. Halten Sie die Muttern und Schrauben, wie sie in dem Zusammenbau verwendet werden.



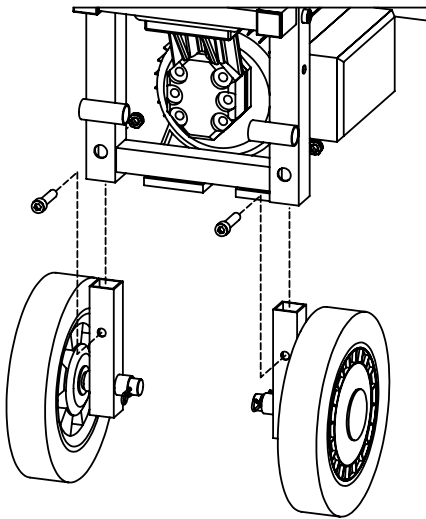
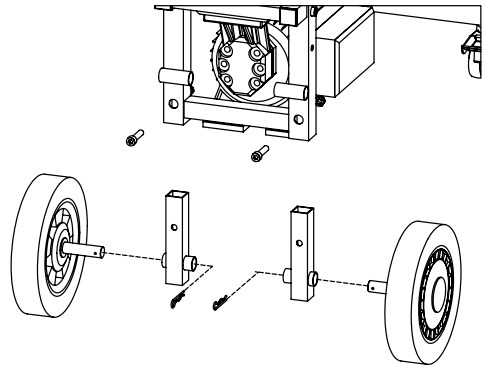
Schrauben Sie die Laufrollen in den vorderen Fuß. Stellen Sie sicher, dass eine Unterlegscheibe und eine Federscheibe zwischen jeder Rolle und dem Fuß gesetzt wird.



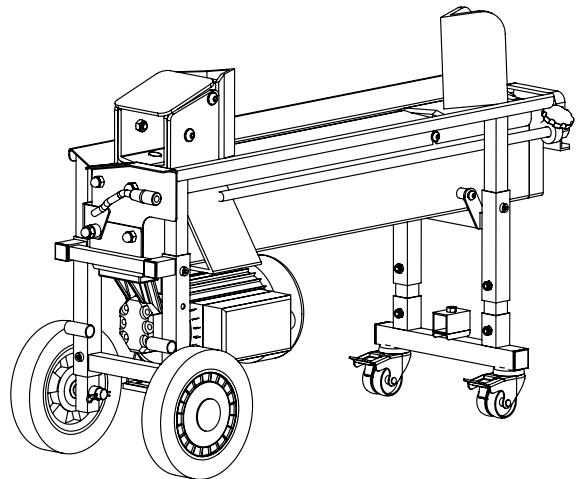
Schließen Sie sich dem Fuß Montage an der vorderen Beinhalterung (mit den vorhandenen Schrauben und Muttern). Die Schraube sollte durch den oberen der beiden Löcher in jedem der Schenkel übergeben , wie gezeigt.



Befestigen Sie jede Hinterrad / Achsbaugruppe auf einen kurzen hinteren Schenkel mit den vorhandenen R-Clips.



Befestigen Sie die hintere Bein / Radeinheiten an der hinteren Beinhalterung mit den M8x35 Schrauben und Muttern M8 versorgt.

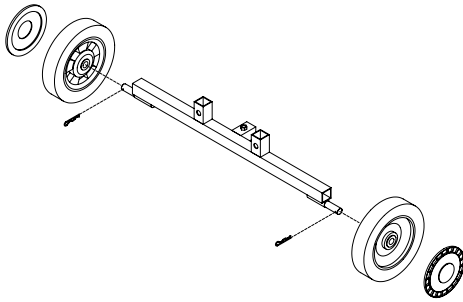
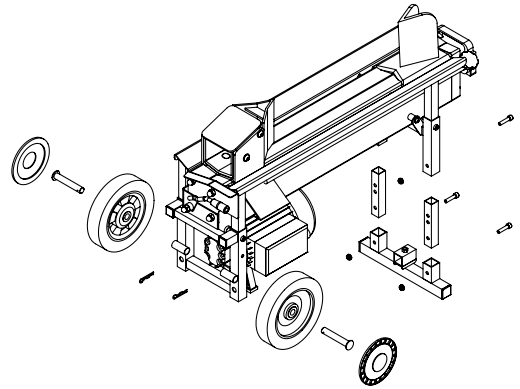




## 16TW Ständers

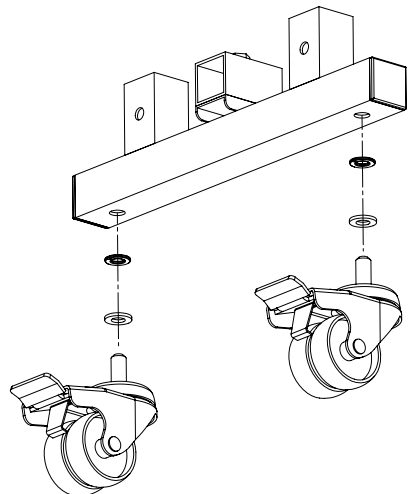
Entfernen Sie das Zentrum von den Hinterrädern Abdeckungen, entfernen Sie die R-Clips (behalten) von den Enden der Achsen, entfernen Sie die Achsen und Räder.

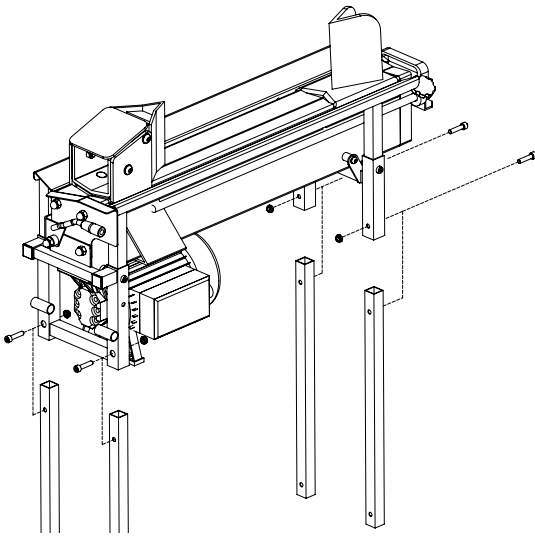
Entfernen Sie die Schrauben, die den vorderen Fuß zu den kleinen Vorderbeine befestigen und um den Fuß zu entfernen. Entfernen Sie die Schrauben, die kurze Vorderbeine an die Front Beinhalterung und entfernen Sie die Beine zu befestigen. Stellen Sie sicher, Sie alle Muttern halten und Schrauben.



Legen Sie die Räder auf den Achsstummeln auf dem Rad Querträger und sichern sie mit den R-Clips. Fit der Mitte zu den Rädern Abdeckungen.

Schrauben Sie die Laufrollen in den vorderen Fuß. Stellen Sie sicher, dass eine Unterlegscheibe und eine Federscheibe zwischen jeder Rolle und dem Fuß gesetzt wird.



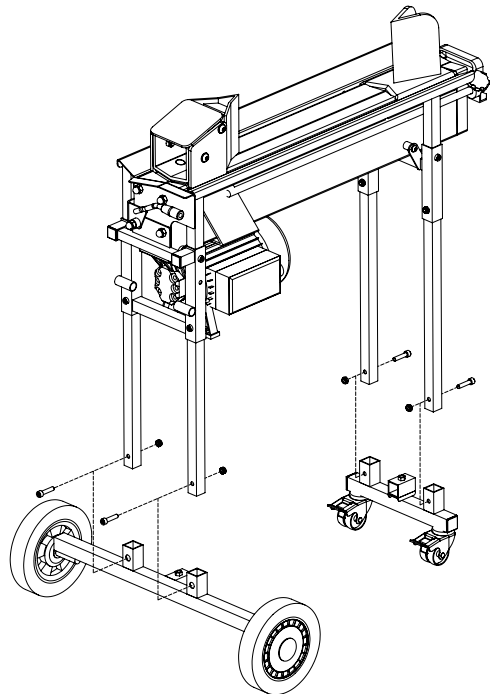


Schließen Sie die langen hinteren Beine nach hinten Beinhalterung mit den M8x35 Schrauben und Muttern M8 geliefert.

Schließen Sie die langen vorderen Beine an die Front Beinhalterung zwei der Muttern und zwei der Schrauben im ersten Schritt entfernt.

Schließen Sie das hintere Rad Montage auf die Hinter beine mit den M8x35 Schrauben und Muttern M8 geliefert.

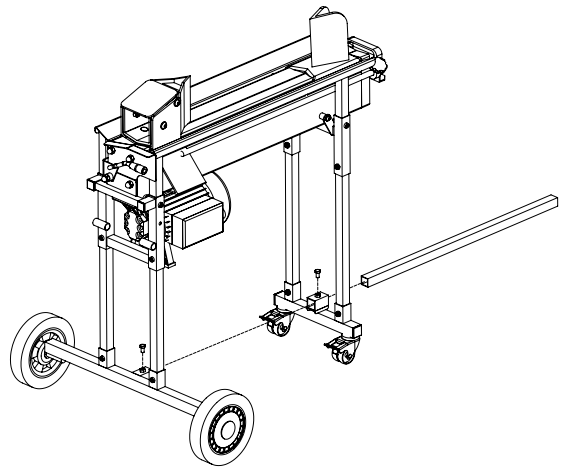
Schließen Sie die vordere Laufrollenanordnung an den Vorderbeinen mit den beiden M8-Schrauben und zwei Muttern M8 im ersten Schritt entfernt.





Schieben Sie die Längsstrebe, durch die Führung in der vorderen Laufrollenanordnung und in die Buchse auf das hintere Rad Querträger. Sichern Sie ihn mit den beiden Sechskantschrauben geliefert.

Der 16TW Ständer kann auch mit der FM16P Benzin-Version des Holzspalter verwendet werden.



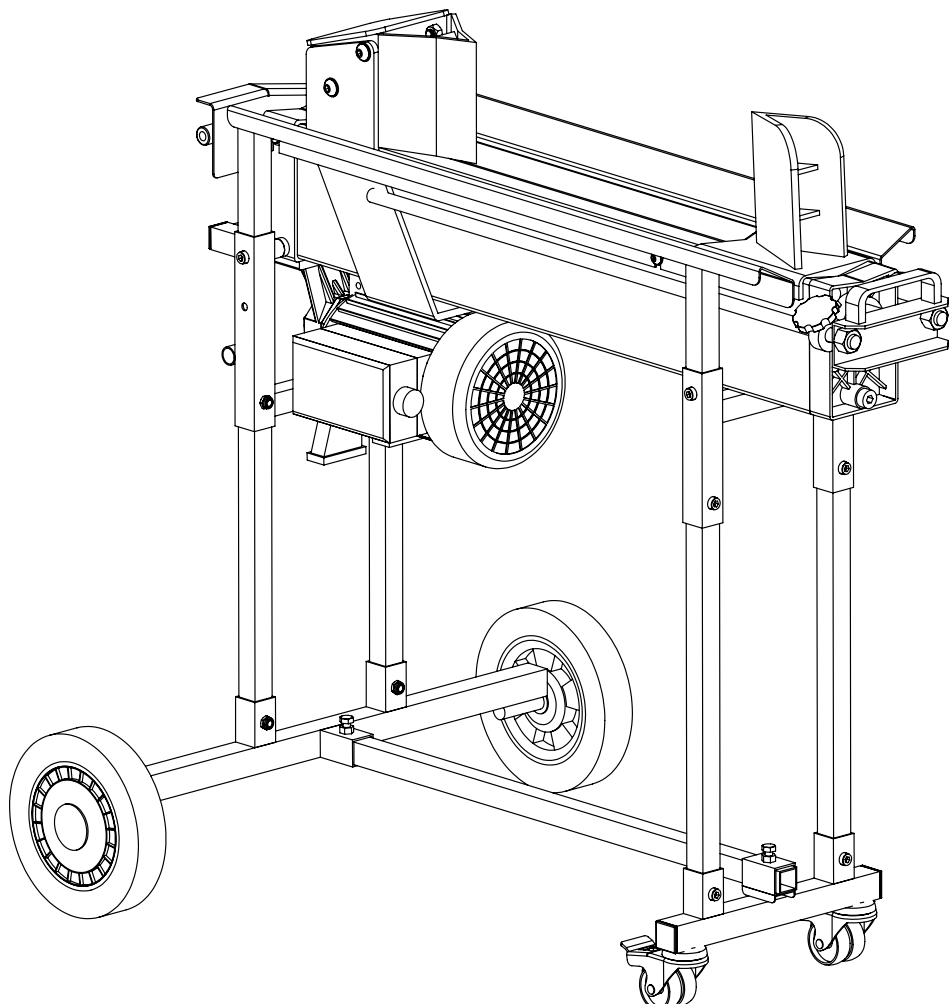


# Fendeuse électrique



WWW.FOREST-MASTER.COM

Modèle FM16(D/T/TW/P)(Duocut)



fr

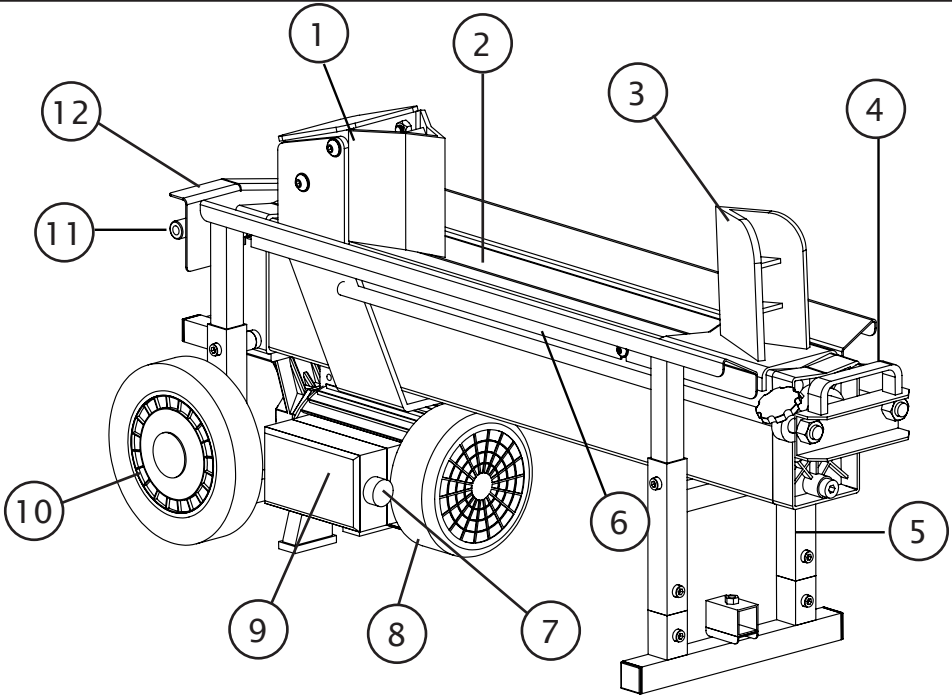
Modèle illustré FM16TW

**IMPORTANT: Lisez toutes les consignes de sécurité et instructions avant d'utiliser cet article.**

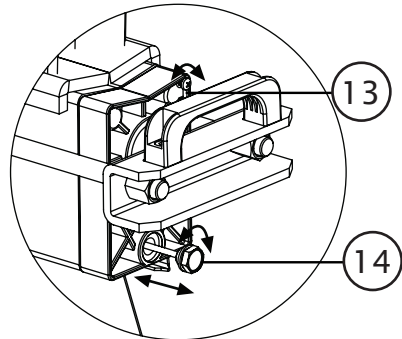


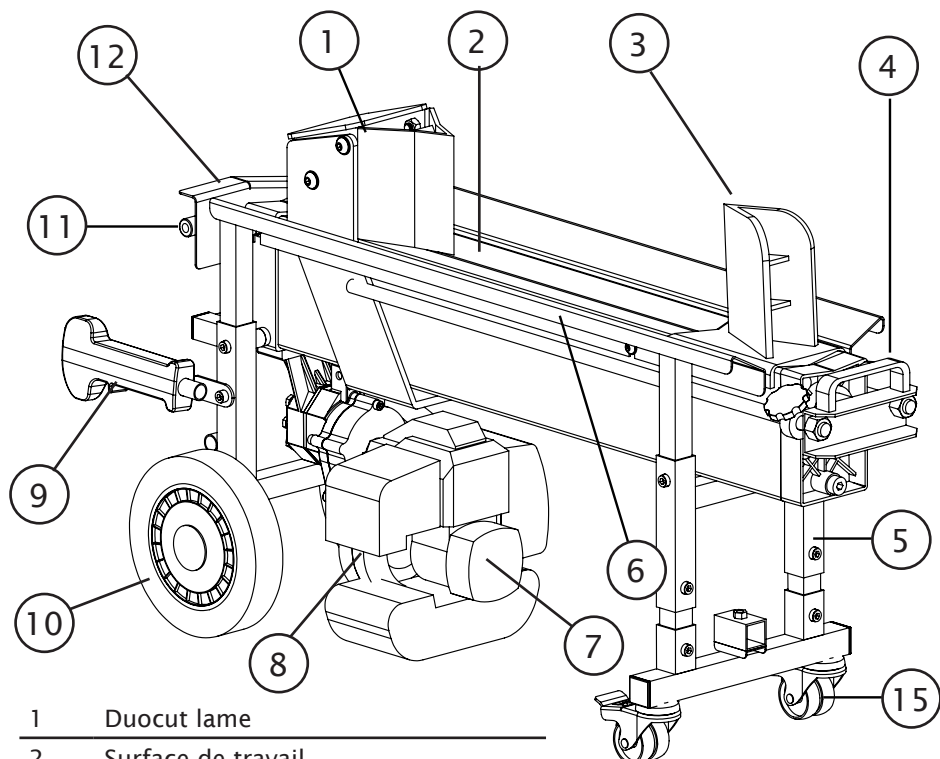
Fiche Technique	2
Familiarisez-vous avec votre fendeuse électrique	3
Familiarisez-vous avec votre fendeuse essence	4
Sécurité	5
Utilisation	9
Entretien	17
Vue éclatée	20
Liste des pièces	21
Garantie	23
Assembler le pied	24

Modèle	FM16(D/T/TW)	FM16P
Diamètre minimum des bûches	50 mm	50 mm
Diamètre maximum des bûches	600 mm	600 mm
Longueur max des bûches	450 mm	450 mm
Moteur	230V 50Hz 2300W IP54	35 cc 37 cc 52 cc
Pression de fendage	7 ton	7 ton
	8 ton	8 ton
	9 ton	9 ton
Pression hydraulique	500 Bar	500 Bar
	550 Bar	550 Bar
	600 Bar	600 Bar
Capacité d'huile hydraulique	6.5 Litre	6.5 Litre
Longueur	1060 mm	1060 mm
Largeur	278 mm	278 mm
Hauteur	522 mm	522 mm
Poids	78 kg	78 kg

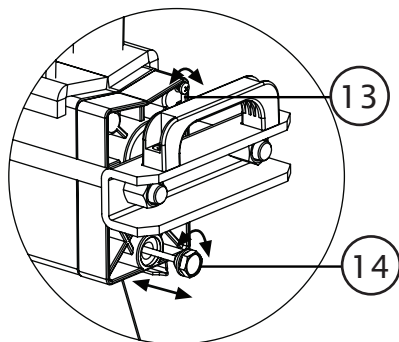


- |    |                                |
|----|--------------------------------|
| 1  | Duocut lame                    |
| 2  | Surface de travail             |
| 3  | Cale                           |
| 4  | Poignée                        |
| 5  | Tige portante                  |
| 6  | Plaque de retenue des bûches   |
| 7  | Interrupteur                   |
| 8  | Moteur                         |
| 9  | Boîte à boutons-poussoirs      |
| 10 | Roulettes (mouvement mineur)   |
| 11 | Levier de commande hydraulique |
| 12 | Protecteur de levier           |





- 1 Duocut lame
- 2 Surface de travail
- 3 Cale
- 4 Poignée
- 5 Tige portante
- 6 Plaque de retenue des bûches
- 7 Interrupteur
- 8 Moteur
- 9 Boîte à boutons-poussoirs
- 10 Roulettes (mouvement mineur)
- 11 Levier de commande hydraulique
- 12 Protecteur de levier
- 13 Vis de purge
- 14 Vidange d'huile / jauge
- 15 Roulettes blocables





WWW.FOREST-MASTER.COM

**POUR BIEN COMPRENDRE VOTRE FENDEUSE A BOIS:** Veuillez lire attentivement la présente notice ainsi que les plaquettes signalétiques apposées sur la fendeuse à bois. Apprenez les modalités de son fonctionnement et ses limites ainsi que les dangers spécifiques qu'elle comporte.

**DROGUE, ALCOOL ET MÉDICAMENTS:** N'utilisez pas votre fendeuse à bois si vous êtes sous l'emprise de la drogue, de l'alcool ou sous l'effet de médicaments susceptibles d'altérer votre capacité à la manier de correctement.

**POUR VOTRE SÉCURITÉ:** Utilisez la fendeuse de bûches sur le terrain, sur le support fourni ou l'un des stands disponibles comme accessoires. Assurez le stand, si elle est utilisée, est solidement assemblé.

Veillez à ce que la zone au sein de laquelle vous travaillez soit propre et bien éclairée. Le désordre est propice aux accidents. N'utilisez pas la fendeuse à bois dans un endroit humide ou mouillé et ne la laissez pas sous la pluie.

Ne l'utilisez pas non plus dans une pièce où des vapeurs émanant d'une peinture, d'un solvant ou d'une substance liquide inflammable peuvent représenter un quelconque risque.

**VÉRIFICATION DE VOTRE FENDEUSE A BOIS:** Vérifiez votre fendeuse à bois avant tout allumage. Ne déverrouillez pas le dispositif de sécurité. Veillez à ce que ce dernier puisse toujours parfaitement fonctionner. Prenez pour habitude de vérifier que les clés de réglage ont bien été retirées avant de mettre en marche votre machine. Remplacez systématiquement toute pièce endommagée ou manquante avant d'utiliser votre machine.

**PORTEZ DES VÊTEMENTS ADÉQUATS:** Ne portez pas de vêtements flottants, de gants, de cravate ou de bijoux (bagues, montres). Ils pourraient se coincer dans les pièces mobiles. En revanche, il est recommandé de porter des gants de protection isolants et des chaussures antidérapantes lorsque vous travaillez. Veillez également à attacher les cheveux longs afin d'éviter qu'ils ne se prennent dans la machine.

**PROTÉGEZ VOS YEUX ET VOTRE VISAGE:** Toute fendeuse à bois est susceptible de projeter un quelconque corps étranger dans vos yeux. Cela peut entraîner des dommages irréversibles.

Symbole sur la machine



Sécurité



Veillez donc à toujours porter des lunettes de sécurité. Les lunettes que vous portez tous les jours ne s'apparentent pas à des lunettes de sécurité et elles ne peuvent en aucun cas suffire.

Tenez-vous derrière et à droite de la machine lors de son utilisation. Ne pas se pencher sur la machine pour le faire fonctionner, ceci est une position de fonctionnement maladroit qui a l'opérateur apporter leur visage à proximité de la machine, et donc le risque d'être frappé par des copeaux de bois ou des débris.

**RALLONGES:** L'utilisation incorrecte d'une rallonge peut altérer le fonctionnement de votre fendeuse à bois et se traduire par une surchauffe de celle-ci. Vérifiez que la longueur de la rallonge n'est pas supérieure à 10 m et que sa section n'est pas inférieure à 2, 5 mm<sup>2</sup> afin d'assurer un niveau de la circulation du courant suffisant vers le moteur.

Évitez d'exploiter tout raccordement dépourvu d'une bonne isolation. Toutes les connexions doivent être réalisées à l'aide d'un matériel protégé et adapté dans le cadre d'une utilisation extérieure.

**POUR ÉVITER TOUT CHOC ÉLECTRIQUE:** Vérifiez que le circuit électrique est protégé de manière adéquate et qu'il correspond bien à la puissance, au voltage et à la fréquence du moteur. Vérifiez également qu'il existe une connexion de mise à la terre ainsi qu'un interrupteur différentiel de réglage en amont. La fendeuse à bois doit être mise à la terre. Évitez tout contact corporel avec les surfaces à la terre : tuyaux, radiateurs, fourneaux ou frigos.

N'ouvrez en aucun cas la boîte à boutons-poussoirs sur le moteur. Si cela devait s'avérer nécessaire, contactez un électricien qualifié. Veillez à ce que vos doigts ne touchent pas la pointe en métal de la prise de courant lorsque vous branchez ou débranchez votre fendeuse à bois.

**ÉVITER BURNS:** Éviter le contact avec l'huile chaude, les gaz d'échappement et des surfaces chaudes. Ne pas toucher le moteur ou l'échappement, ces pièces deviennent très chaudes de fonctionnement et restent chauds pendant un certain temps après que l'appareil est éteint. Laisser le moteur refroidir avant de faire l'entretien ou de réglage.

Symbole sur la machine



WWW.FOREST-MASTER.COM

Symbole sur  
la machine

Sécurité

**MOTEUR ESSENCE:** Toujours arrêter le moteur avant de déplacer la machine. Ne pas modifier ou d'ajuster une partie de la machine ou du moteur qui est scellé par le fabricant ou le distributeur. Toujours vérifier avant utilisation, comme spécifié dans le manuel du fabricant.

Ne pas modifier les réglages du régulateur du moteur ou de vitesse excessive du moteur. Le gouverneur contrôle la vitesse maximale de fonctionnement sûr du moteur.

Ne pas faire fonctionner le moteur à une vitesse élevée lorsque vous ne travaillez pas.

**GARDER LES VISITEURS ET ENFANTS ÉLOIGNÉS:** La fendeuse à bois ne peut être utilisée que par un seul individu. Éloignez donc toute autre personne de votre zone de travail, en particulier lorsque votre fendeuse à bois fonctionne. Ne faites appel en aucun cas à une autre personne pour vous aider par exemple à décoincer votre fendeuse.

**CONTRÔLEZ LES BÛCHES:** Vérifiez que les bûches que vous allez fendre sont dépourvues de tout clou ou autre objet étranger. Les extrémités des bûches doivent être coupées d'équerre. En outre, les branches doivent être taillées au niveau du tronc.

**FAITES PREUVE DE VIGILANCE À TOUT MOMENT:** Le sol ne doit pas être glissant.

Vérifiez que votre position ainsi que votre équilibre sont bien corrects à tout moment.

Ne vous mettez jamais en position debout sur la fendeuse à bois. Vous risquez de graves blessures si l'outil bascule ou si vous effleurez de manière accidentelle les éléments tranchants. Ne rangez aucun matériel sur ou à proximité de la fendeuse à bois afin d'éviter que quiconque ne puisse grimper sur la machine afin d'atteindre celui-ci.

**FAITES ATTENTION AUX MISES EN ROUTE**

**ACCIDENTELLES:** Soyez très attentifs, à tout moment, au mouvement du poussoir des bûches. N'essayez pas de charger des bûches tant que le poussoir ne s'est pas arrêté.

Ne placez en aucun cas vos mains sur la trajectoire des pièces mobiles. N'essayez jamais de retirer à l'aide de vos mains des bûches endommagées.





**PROTÉGEZ VOS MAINS:** Éloignez vos mains de toute fente ou crevasse qui se forment dans la bûche. Celles-ci peuvent se refermer soudainement et de ce fait, broyer vos mains. N'essayez jamais de retirer à l'aide de vos mains des bûches endommagées.

**NE FORCEZ PAS SUR L'OUTIL:** Votre outil sera d'autant plus efficace que vous l'utiliserez de manière appropriée. N'essayez pas de fendre des bûches dont la taille est supérieure à celle indiquée dans le tableau des caractéristiques. Cela peut se révéler dangereux et endommager votre machine. N'utilisez en aucun cas votre fendeuse à bois pour un usage autre que celui pour lesquels il a été conçu.

**NE LAISSEZ PAS VOTRE MACHINE FONCTIONNER**

**SANS SURVEILLANCE:** N'abandonnez pas votre machine sans surveillance tant que celle-ci ne s'est pas complètement arrêtée.

**DÉBRANCHEZ LA MACHINE:** Veillez à débrancher votre appareil, lorsque vous ne l'utilisez pas et avant tout réglage, remplacement de pièce, opération de nettoyage ou toute opération au niveau de la fendeuse à bois. Consultez la notice technique avant toute opération d'entretien.

**PROTECTION DE L'ENVIRONNEMENT:** Déposez l'huile usagée auprès d'un distributeur agréé et veillez à respecter les dispositions en vigueur dans le pays où vous souhaitez utiliser la fendeuse à bois. Ne déversez pas celle-ci dans les égouts, le sol ou l'eau.

**PRENEZ SOIN DE VOTRE FENDEUSE À BOIS:** Veillez à conserver votre fendeuse à bois dans un état propre afin de vous assurer un niveau de performance optimal et sûr.

**VEILLEZ À CE QUE LES ENFANTS N'AIENT PAS**

**ACCÈS À VOTRE ATELIER:** Fermez votre atelier à clés. Éteignez les interrupteurs principaux. Rangez la fendeuse à bois dans un endroit hors de portée des enfants ou de tout autre personne non formée à son maniement.

Symbole sur la machine



Les avertissements et les instructions mentionnées dans ce manuel ne peuvent pas couvrir toutes les conditions et situations qui pourraient se présenter. Il faut comprendre que le bon sens et la prudence doivent être appliquées par l'opérateur lors de l'utilisation de la fendeuse.





## CONDITIONS D'UTILISATION

Cette fendeuse à bois est destinée à un usage domestique. Elle est conçue pour fonctionner à une température ambiante oscillant entre + 5° C et 40° C et pour être installée à une altitude inférieure à 1000 mètres au-dessus du niveau moyen de la mer (M.S.L.). Le taux d'humidité ambiant doit être inférieur à 50 % à une température de 40° C. Vous pouvez la ranger ou la transporter tant que la température ambiante est comprise entre -25° C et 55° C.

## ALIMENTATION ÉLECTRIQUE

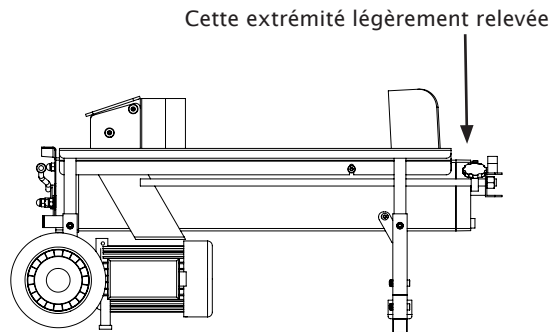
Branchez les fils principaux à une prise standard 230 V  $\pm$  10 % (50 Hz  $\pm$  1 Hz), dotée d'un dispositif de sécurité contre les sous-tensions, les surtensions, les surintensités ainsi que d'un dispositif de protection à courant résiduel (RCD) dont la valeur maximale de courant résiduel s'élève à 0,03 A.

Cet équipement est équipé d'une prise Royaume-Uni norme 3 broches d'alimentation électrique et est livré avec un adaptateur à 2 broches pour une utilisation dans aux pays avec 2 broches des prises électriques. NE PAS débrancher la fiche 3 broches partir du câble électrique et fixez une fiche 2 broches à sa place.

## POSITIONNEMENT DE LA FENDEUSE

La fendeuse de bûches doit être placé à hauteur ou de préférence positionné avec la fin où la cale est fixe, légèrement surélevé. Une différence de 5 mm sur toute la longueur de la fendeuse est suffisante.

Il ne doit pas être placé avec l'extrémité où la cale est fixée, inférieure à l'extrémité du manche de fonctionnement, comme cela peut limiter l'écoulement d'huile de la pompe.

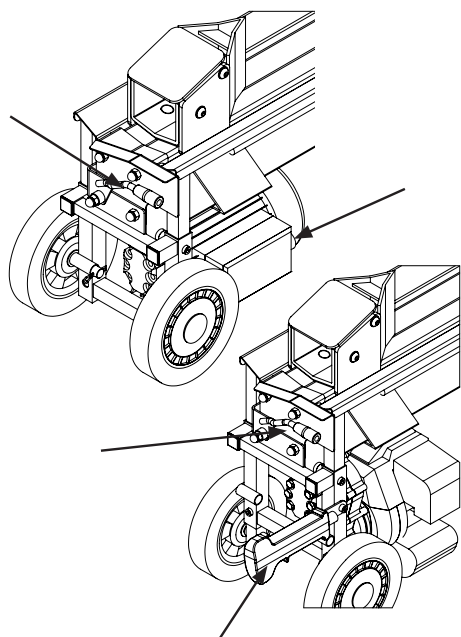
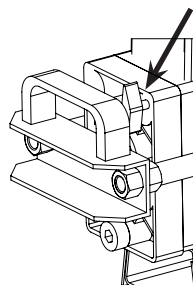




## Air vis de purge

Avant de mettre en marche votre fendeuse à bois, desserrez de quelques tours la vis de purge afin de permettre à l'air d'entrer et de sortir facilement du réservoir à huile. Vous devez pouvoir observer le débit d'air à travers la vis de purge lorsque la fendeuse à bois fonctionne.

Avant de déplacer la fendeuse à bois, vérifiez que la vis de purge est bien fixée afin d'éviter toute fuite d'huile à ce niveau.



Cette fendeuse à bois est équipé d'un système de commande qui nécessite un fonctionnement par les deux mains de l'utilisateur.

Une main contrôle le levier de commande hydraulique tandis que l'autre main contrôle le commutateur de bouton poussoir ou la commande des gaz.

La fendeuse à bois se fige dès lors que l'une des deux mains n'est pas en position. Le poussoir de bûches ne se remet en place que lorsque les deux mains ont libéré les commandes.

Pour diviser d'un bûche, appuyez et maintenez le bouton pour démarrer le moteur électrique (ou papillon pour le moteur à essence), puis déplacer le levier pour faire avancer le bélier.

Ne jamais déplacer le levier avant d'appuyer sur le bouton ou la manette des gaz.



**IMPORTANT:** Si vous oubliez de desserrer la vis de purge, l'air restera prisonnier au sein du système hydraulique et il sera comprimé après avoir été décomprimé. Ce phénomène continu de compression et de décompression aura pour conséquence de faire sauter les joints du système hydraulique et d'endommager de manière irréversible la fendeuse à bois.



La force de fendage et la vitesse sont régies par le levier de commande en 2 étapes. Pousser le levier de la 1ère position (à mi-chemin) donne une vitesse plus rapide et moins de force pour séparer les bûches douces. Pousser à la 2ème position donne la force maximale à une vitesse plus lente pour diviser dur et bûches chevrons. Les étapes peuvent être déplacés par simple élévation et l'abaissement du levier.

### **MOTEUR ESSENCE (FM16P)**

Le moteur à essence est fourni sans carburant. Avant utilisation, remplir le réservoir de carburant comme spécifié dans le manuel des fabricants de moteurs inclus séparément.

Notez que le FM16P peut être fourni avec un moteur 2 temps ou 4 temps, consulter le manuel du fabricant du moteur (inclus séparément), pour vérifier quel type que vous avez. Si vous ne possédez pas le manuel du fabricant du moteur, contacter Forêt Maître.

Démarrez le moteur en suivant la procédure indiquée dans le manuel des fabricants de moteurs.

### **LUBRIFIEZ LA SURFACE DE TRAVAIL.**

Certains types de bois peuvent contenir beaucoup de sève qui peut parfois adhérer à la surface de travail de la fendeuse. Cela peut provoquer l'entretoise plastique sous la lame mobile ou poussoir, à coller à la surface de travail, qui amène la lame à se branler et éventuellement tirer l'entretoise loin de dessous de la lame.

Pour éviter cela, il est recommandé de lubrifier la surface de travail de la fendeuse de bûches avant la première utilisation et périodiquement par la suite.

Si l'entretoise en plastique ne se tire de sous la lame ou poussoir, ne pas utiliser la fendeuse de bûches jusqu'à l'entretoise a été réaménagé.



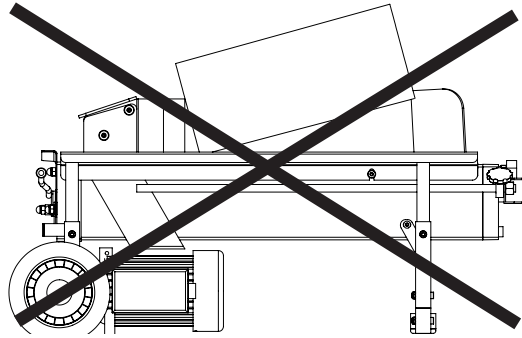
**AVERTISSEMENT: Ne jamais utiliser la machine sans l'entretoise en plastique monté sous la lame.**



WWW.FOREST-MASTER.COM

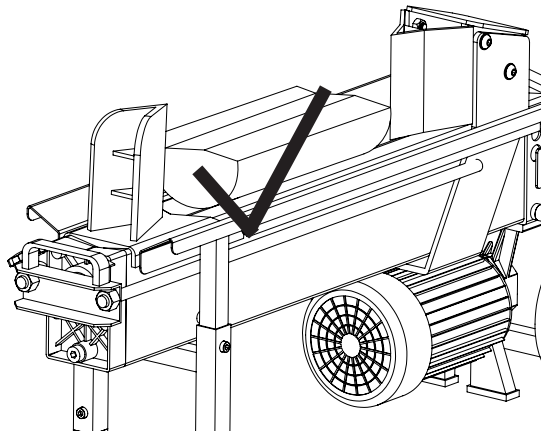
## Utilisation

Veillez à toujours placer de manière ferme les bûches sur les plaques de retenue et la table de travail. Vérifiez que les bûches ne vont pas se retourner ou tomber lors de la découpe. Ne forcez pas la lame en voulant fendre la bûche au niveau de sa partie supérieure. Vous risqueriez de briser la lame et d'endommager la machine.



Fendez les bûches dans le sens de leurs grains. Ne placez pas de bûches en travers de la fendeuse pour essayer de les couper. Cela peut se révéler dangereux et vous risqueriez d'endommager la machine de manière irréversible. N'essayez pas de fendre deux bûches à la fois. L'une d'elles pourrait se dégager et venir vous heurter.

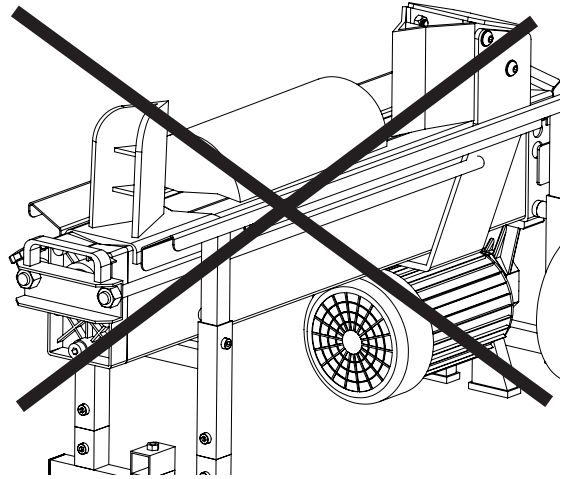
Si la division d'un bûche qui a déjà été divisé, toujours placer la bûche de sorte que le visage fendu est la plus haute et l'écorce couverte extérieure de la bûche est contre la surface de travail de la fendeuse.



**IMPORTANT:** Ne pas tenter de diviser un journal à travers le grain.



NE JAMAIS placer un bûche de rupture avec la face fendue ou visages contre la surface de travail de la fendeuse, car cela peut causer la bûche à la confiture contre les guides de bûche comme il se divise, pliant ainsi et à briser éventuellement les guides de bûche et éventuellement le corps de la fendeuse à bois.



Utilisation

Au-delà de 5 secondes, l'huile sous pression est surchauffée et la machine peut être endommagée. En présence de bois particulièrement dur, faites-le tourner de 90° afin de vérifier s'il est possible de le fendre en adoptant une direction différente. Si vous ne parvenez toujours pas à fendre le bois, cela signifie que sa dureté est supérieure à la capacité maximale de la machine et qu'il convient donc de retirer celui-ci de votre fendeuse afin de ne pas l'endommager.

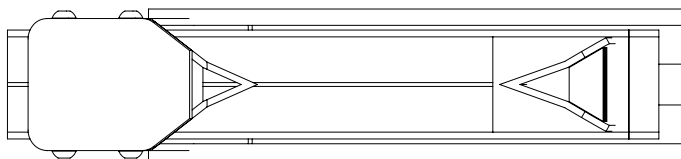


**AVERTISSEMENT:** Ne placez jamais la face fendue ou des faces d'un bûche contre le travail surface la fendeuse.

**IMPORTANT:** Ne forcez en aucun cas la fendeuse à bois pendant plus de 5 secondes, en maintenant la pression sur celle-ci afin de fendre du bois excessivement dur.



## VÉRIFICATION DE L'ALIGNEMENT DUOCUT LAME

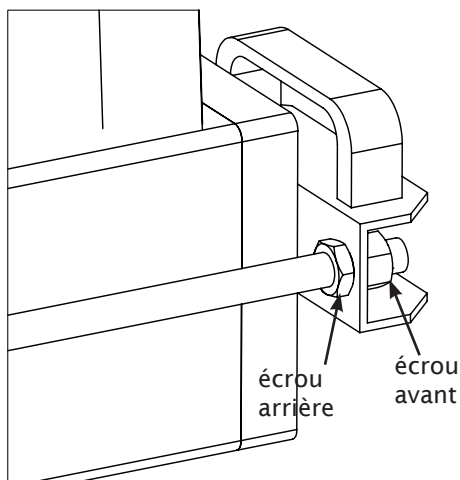


Avant de commencer à fendre bûches, l'alignement de la lame Duocut doit être vérifié et ajusté si nécessaire. La lame Duocut doit pointer le long de l'axe du lit de la fendeuse et s'aligner avec le bord de la lame fixe.

Pour ajuster l'alignement de la lame Duocut, serrer ou desserrer les écrous sur l'extrémité avant de l' chacun des supports du glissoir pour augmenter ou diminuer leur tension.

Pour augmenter la tension, tourner l'écrou arrière anti-horaire pour la desserrer puis tournez l'écrou avant dans le sens horaire pour la serrer.

Pour diminuer la tension, tourner l'écrou front anti-horaire pour la desserrer puis tournez l'écrou arrière dans le sens horaire pour la serrer.



## ENTRETIEN DE LA LAME MOBILE EN COURS D'UTILISATION

Dans la plupart des conditions, votre fendeuse à bois ne sera pas un problème si les lames rencontrent un nœud dans le bois. La lame qui rencontre le nœud sera tout simplement mettre fin au fractionnement et le séparateur continuera scission avec l'autre lame.

Cependant, il est possible que, si la lame déplaçant heurte d'un nœud à un angle faible alors plutôt que l'arrêt de la lame mobile, la lame mobile peut être dévié loin de la ligne centrale de la machine. Dans ce cas, si vous continuez à fendre le bois, les longs bras du chariot lame mobile peuvent être pliés hors de l'alignement.

Lorsque vous fractionnez des bûches, vous devez donc surveiller la lame mobile et si vous observez la lame étant dévié de l'axe du séparateur, vous devez mettre fin au fractionnement immédiatement. Après la lame est revenu à sa position d'arrêt, vous devez tourner le journal de 90 degrés autour de l'axe long et Essayez de diviser le bûche une fois de plus.

Afin de minimiser la possibilité d'un nœud de déviation de la lame, il est recommandé de placer les journaux qui ont un nœud visible, de sorte que le nœud est vertical. Notez cependant que, comme expliqué à la page 13, vous ne devez pas placer un bûche avec une face fendue vers la surface de travail de la fendeuse de bûches afin de positionner un nœud verticalement.

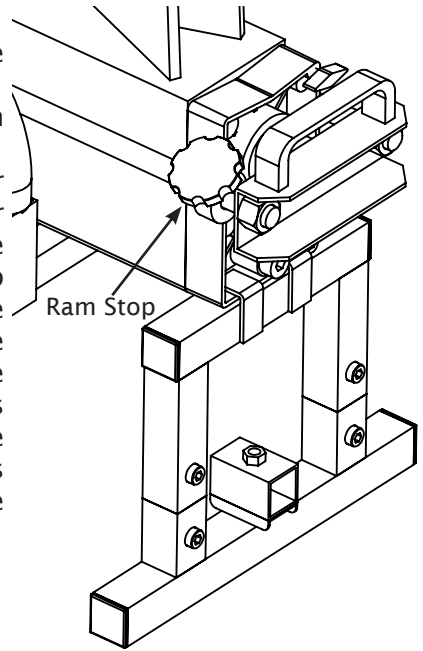


## RAM STOP

Desserrez le bouton sur la Ram Stop de sorte qu'il est libre de glisser sur la barre.

Fonctionner la fendeuse à déplacer le piston vers l'avant à la longueur requise.

Tenir le levier de commande en place pour assurer le béliet ne revient pas, positionner l'arrêt de béliet contre l'avant du la fendeuse et serrer à l'aide du bouton. La Ram Stop peut être ajusté en dévissant simplement le bouton et et couissant le long de la barre de berceau, le béliet peut besoin d'être déplacé vers avant en selon de la longueur de bûches que vous souhaitez scinder. Le levier de commande doit être maintenue en place lors du dévissage la Ram Stop ou le béliet sera de retour.



**IMPORTANT:** S'assurer que le moteur est éteint et de n'utiliser que le levier de commande pour maintenir le piston en position lors du réglage la Ram Stop.

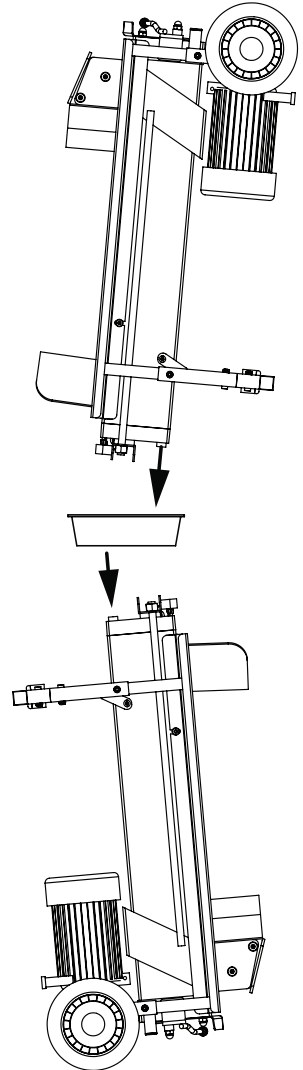




## REEMPLACER L'HUILE HYDRAULIQUE

Remplacer l'huile hydraulique dans la fendeuse après toutes les 150 heures d'utilisation comme suit.

- Vérifiez que toutes les pièces mobiles sont à l'arrêt et que la fendeuse est bien débranchée.
- Dévissez le boulon de vidange d'huile avant de le retirer.
- Placez la fendeuse à bois sur la Tige portante au-dessus d'un récipient d'une capacité de 8 litres afin de faire écouler l'huile hydraulique.
- Faites pencher maintenant la fendeuse à bois du côté du moteur.
- Remplir avec de l'huile hydraulique frais au volume donné pour un modèle particulier dans la fiche technique.
- Nettoyer la surface de Jauge d'huile attaché à la vidange d'huile Boulon et le remettre dans le réservoir d'huile tandis que garder la fendeuse verticale.
- Vérifiez que le niveau de l'huile se situe bien entre les deux rainures sur la jauge.
- Nettoyez le boulon de vidange d'huile avant de le remettre en place. Vérifiez qu'il est bien vissé afin d'éviter toute fuite avant de mettre la fendeuse en position horizontale



Contrôler périodiquement le niveau d'huile pour assurer qu'il est entre les 2 rainures autour de la jauge. Lorsque le niveau d'huile atteint la rainure inférieure, le remplissage d'huile est nécessaire. Nous vous recommandons d'utiliser la norme ISO 46 de grade fluide hydraulique, parfois étiqueté comme # 46 huile de qualité.



### **AIGUISER LA CALE**

Après avoir utilisé votre fendeuse pendant un certain temps, il convient d'aiguiser la cale de celle-ci à l'aide d'une lime et de polir toute rugosité ou creux le long du côté tranchant.

### **CHARIOT MOBILE**

Lorsque la nouvelle, il peut être remarqué que, parfois, le chariot mobile est lente à revenir ou ne revient pas entièrement lorsque les contrôles sont libérés. Cela est dû à l'ajustement serré entre l'élément d'espacement nécessaire en plastique qui est monté sous et sur les côtés de la lame ou poussoir Duocut. Avec l'utilisation de cette entretoise portera sorte que le chariot retourne correctement.

Si après avoir utilisé la fendeuse pendant un certain temps, le chariot est toujours lente à revenir ou ne retourne pas complètement, suivez la procédure ci-dessous.

Allongez le séparateur d'un côté et enlever les deux vis de fixation du lame sur ce côté. Retirez les rondelles de l'extérieur de la voiture et les placer entre le carraige et du lame. Si il est difficile d'obtenir les rondelles puis à l'écart peut être ouvert avec un tournevis plat.

Testez la fendeuse et si la voiture est toujours pas de retour correctement, répétez la procédure avec les boulons sur le côté opposé.

Notez que lorsque la matière plastique est finalement entretoise en lits, il est recommandé de retourner les rondelles à la position à l'extérieur.

### **MOTEUR ESSENCE**

Pour l'entretien et le dépannage du moteur à essence, voir le manuel du fabricant inclus séparément.



PROBLÈME	CAUSE PROBABLE	RECOURS
Ne parvient pas à fendre des bûches	La bûche n'est pas positionnée de manière correcte	Voir la section "Utilisation" pour le chargement de bûches correcte
	La taille ou le niveau de dureté des bûches est supérieur à la capacité de la machine	Réduisez la taille des bûches avant de les fendre à l'aide de votre machine
	Le côté tranchant de la cale est émoussé	Veillez vous reporter à la section intitulée "Aiguiser la cale"
	L'huile s'échappe	Repérez la (les) fuite(s) et contactez votre vendeur
	Basse pression causé par un ajustement non autorisée du Max. Limitation de pression vis.	Contactez votre vendeur.
	Obstruction partielle des voies de pétrole à la pompe	Tournez le fendeuse à l'envers. Desserrer les 3 vis de fixation de la pompe à la face inférieure de la plaque d'extrémité arrière. Vérifier les canalisations d'huile dans la pompe et la plaque d'extrémité pour des signes d'un blocage.  Contactez votre vendeur.
Le poussoir de bûches déplace par saccades, faisant des bruits inconnus et vibrant beaucoup	Niveau d'huile hydraulique insuffisant et volume d'air excessif au sein du système hydraulique.	Vérifiez le niveau d'huile.  Contactez votre vendeur.
Fuite d'huile au niveau du cylindre ou à autre endroit.	Présence d'air comprimé dans le système hydraulique lorsque la machine fonctionne.	Desserrez la vis de purge de 3 ou 4 tours avant de mettre en marche la fendeuse à bois.
	La vis de purge n'a pas été resserrée avant de déplacer la fendeuse.	Veillez à serrer la vis d'évacuation d'air avant de déplacer la fendeuse à bois.
	Le Boulon de vidange d'huile n'a pas été resserré.	Resserrez le boulon de vidange d'huile.
	Les pièces de soupape des commandes hydrauliques et/ou le(s) joint(s) sont usés	Contactez votre vendeur





Item	Description
1	Nut
2	Snap Washer
3	Washer 10x2
4	Valve Rod
5	O-ring 8.75x1.8
6	Safety Valve Spring Base
7	O-ring 11.2x2.65
8	Safety Valve Spring
9	Safety Valve Core
10	Cylinder Cover Rear
11	Safety Valve Core
12	O-ring 10.6x1.8
13	Sfty Valve Core Adjust Spring
14	Adjusting Spring Base
15	Stud
16	Cylinder
17	Piston
18	Piston Ring
19	O-ring 35.5x3.55
20	Restoring Spring
21	Circlip
22	Snap Washer
23	O-ring 38.7x2.65
24	O-ring 64.4x3.1
25	O-ring 7x1.9
26	Bleed Screw M5x12
27	Wear Resisting Belt
28	O-ring
29	Piston Seal

Item	Description
30	Piston Rod
31	Hex Bolt M8x20
32	Handle
33	Washer 16
34	Nut M16
35	Copper Washer 12
36	Valve Rod
37	O-ring 17x1.8
38	Screw M10x8
39	Steel Ball 8.5
40	Screw M10x8
41	Valve Rod Restore Spring
42	O-ring 16x2.65
43	Valve Base
44	Intake Hose
45	Connection Hose
47	Lever Nut
55	Tube Frame
56	Cylinder Cover Front
57	Dipstick Washer
58	Dipstick
61	Wheel Cover
63	Wheel
66	Nut M10
68	Duocut Blade
72	Hex Bolt M10x30
73	Plastic Insert Upper
74	Moving Carriage
75	Plastic Insert Lower



<b>Item</b>	<b>Description</b>
76	Support Leg
77	Thin Nut M16
78	Spring Washer 16
79	O-ring 10.6x2.65
80	O-ring 46.2x1.8
81	Gear Shaft Snap Washer
82	Steel Ball 2.5
83	Bolt M8x30
84	Spring Washer 8
85	Bolt M8x30
86	Pump Cover
87	Sleeve Bearing
88	Gear Shaft
89	Pin 2.5x4
90	Gear
91	Pin 8x24
92	Gear Housing Plate
93	Motor Support Shoe Left
94	Motor Cover
95	Motor Support Shoe Right
96	Seal
97	Motor Assembly
100	Lever Knob
101	Operating Lever
102	Lever Guard
103	Log Guide Rail Left
104	Log Guide Rail Right
105	Plastic End Cap
106	Rear Leg Mount

<b>Item</b>	<b>Description</b>
107	M8 x 60 Bolt
108	R-Clip
110	Axle
111	M8 Washer
112	M8 x 10 Bolt
113	M8 x 35 Bolt
114	M8 Nut
115	Front Leg Mount
116	Plastic End Cap
117	Front Leg Small Joiner
118	Front Foot
119	Ram Stop Hand Wheel
120	Ram Stop Collar
121	M8 x 25 Bolt



## GARANTIE

Ce produit est couvert pour trois (3) an par une garantie limitée contre les défauts de fabrication et de matériaux. Si ce produit s'avère défectueux pendant la période de garantie indiquée, le retourner au magasin avec une preuve d'achat, et il sera remplacé ou réparé gratuitement.

**IMPORTANT: NOUS DÉCLINONS TOUTE RESPONSABILITÉ DE LA MAUVAISE UTILISATION DE CE PRODUIT. MODIFICATION DE CE PRODUIT (À MOINS QUE CETTE MODIFICATION A ÉTÉ AUTORISÉ PAR FOREST MASTER) ANNULE LA GARANTIE.**

### Cette garantie ne couvre pas:

1. Toute partie qui est devenue inopérante en raison d'une mauvaise utilisation, abus, négligence, accident, entretien inapproprié, ou la modification
2. L'unité, si elle n'a pas été exploité et / ou entretenu conformément au manuel du propriétaire
3. usure normale
4. Les articles d'entretien de routine tels que les lubrifiants, aiguisage
5. Détérioration normale du fini extérieur due à l'utilisation ou de l'exposition

### Frais de livraison:

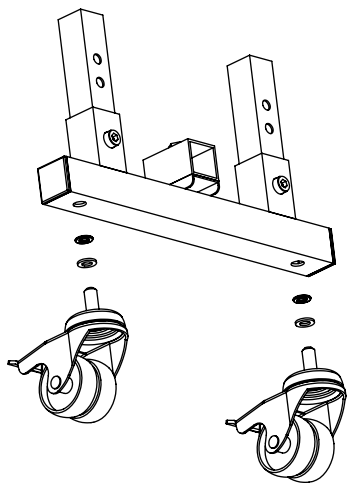
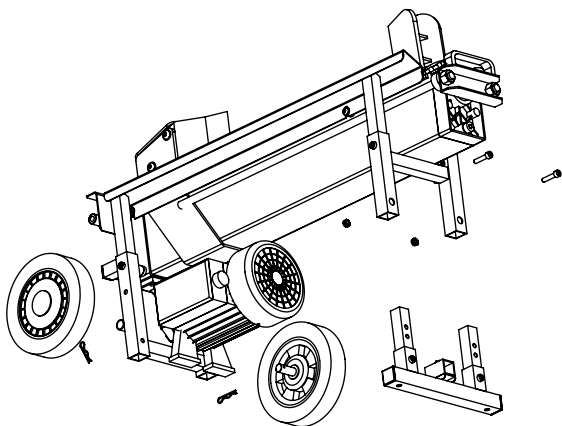
Les frais pour la livraison ou la collecte de l'unité, des parties de l'appareil ou des pièces jointes à l'unité sont à la charge de l'acheteur. L'acheteur doit payer les frais de transport pour une partie soumis pour le remplacement sous cette garantie à moins que ce retour est demandé par Fores Master.



## 16MW Pied

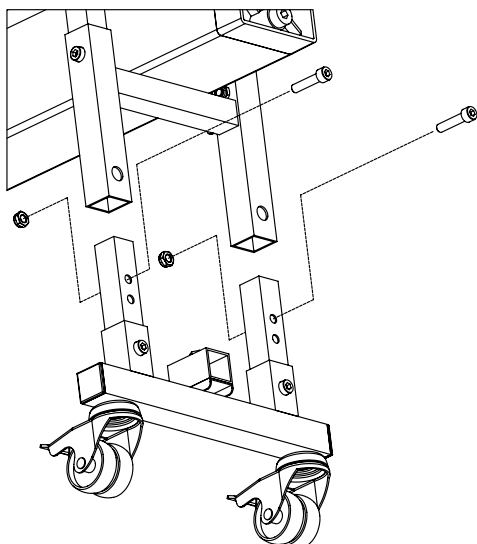
Retirez les R-clips des essieux arrière et retirez chaque ensemble roue / axe des jambes. conserver les R-clips.

Retirez les boulons supérieurs tenant les pieds avant et les jambes pour montage au pied avant et retirez l'ensemble du pied avant. Gardez les écrous et les boulons, car ils seront utilisés dans le réassemblage.



Visser les roulettes dans le pied avant. Assurez-vous que la rondelle plate et une rondelle de ressort est placé entre chaque roulette et le pied.

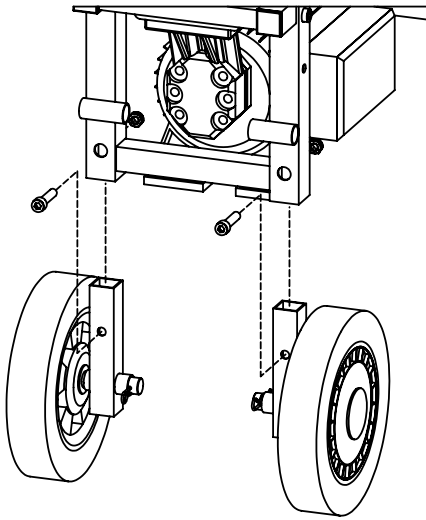
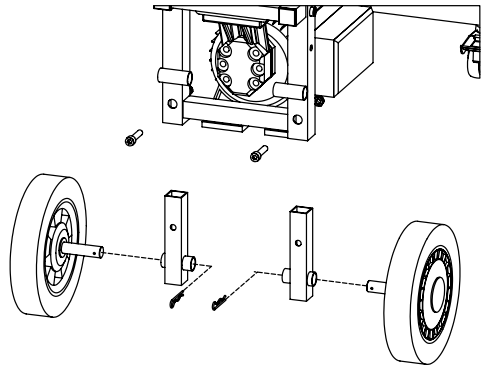
Joignez-vous à l'ensemble de pied à la jambe avant montage (en utilisant les écrous et les boulons existants). Le boulon doit passer à travers la partie supérieure des deux trous dans chacune des branches comme indiqué.



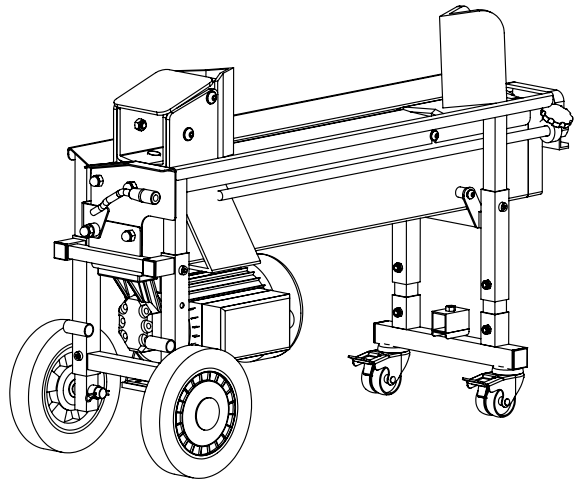




Fixez chaque ensemble roue / essieu arrière à une jambe arrière court en utilisant les R-clips existants.



Fixez les ensembles jambe / roue arrière à la jambe support arrière à l'aide des boulons M8x35 et écrous M8 fournis

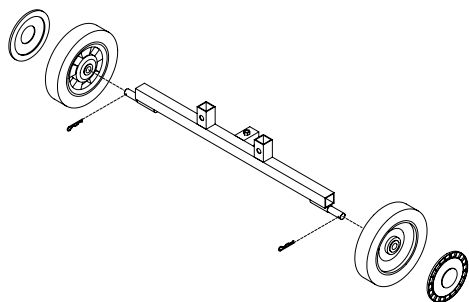
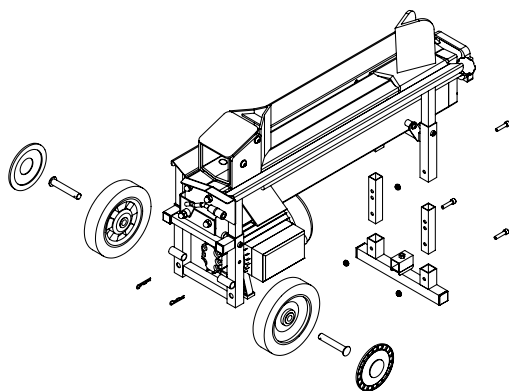




### 16TW Pied

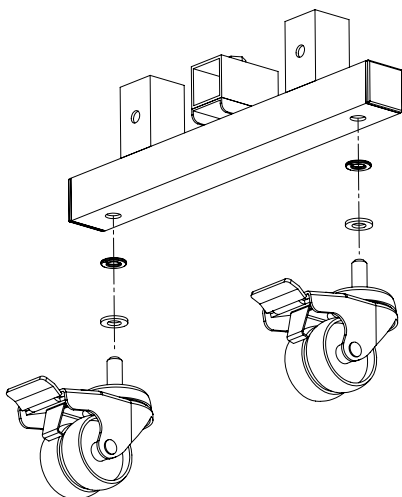
Retirez le centre couvre des roues arrière, enlever les R-clips (conserver) des extrémités des essieux, retirer les essieux et les roues.

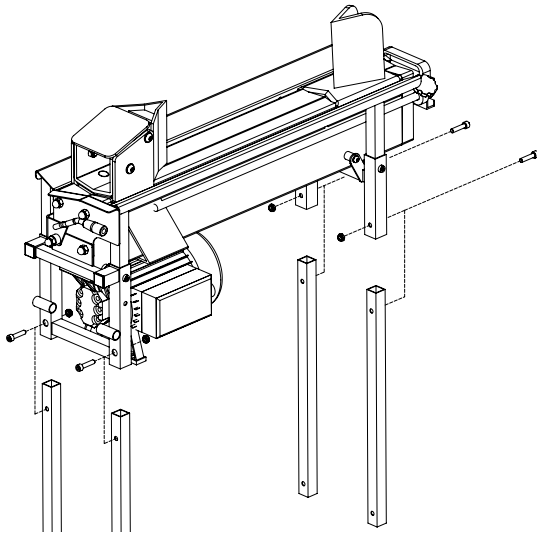
Retirez les boulons qui maintiennent le pied avant pour les petites pattes avant et retirer le pied. Retirer les boulons qui retiennent les pattes avant courtes à la jambe avant montage et retirez les jambes. Assurez-vous de garder tous les écrous et et les boulons.



Placer les roues sur les essieux de talon sur la poutre transversale de la roue et les fixer avec les R-clips. Monter le centre couvre les roues.

Visser les roulettes dans le pied avant. Assurez-vous que la rondelle plate et une rondelle de ressort est placé entre chaque roulette et le pied.



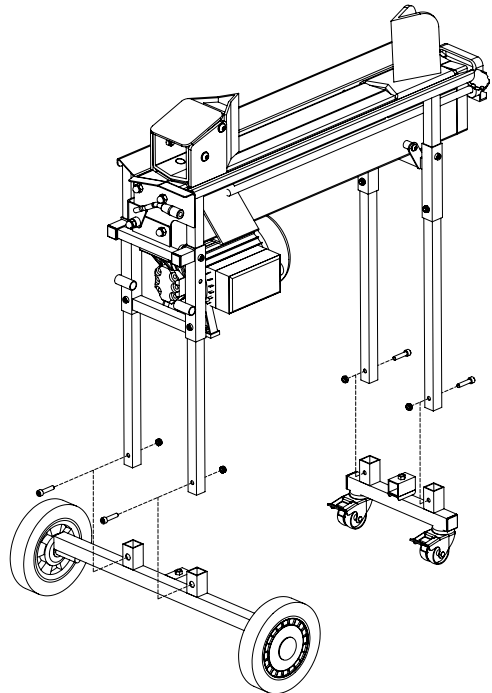


Connectez les longues pattes arrières à la jambe arrière montage en utilisant les boulons M8x35 et écrous M8 fournis.

Connecter les pattes avant longues à la jambe avant montage en utilisant deux des écrous et deux des boulons enlevés dans la première étape.

Connecter l'ensemble de roue arrière pour les jambes à l'arrière à l'aide des boulons M8x35 et écrous M8 fournis.

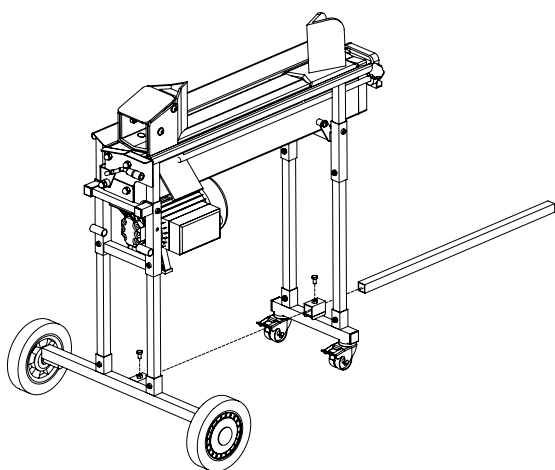
Connectez l'ensemble de roulette avant aux pattes avant en utilisant les deux boulons M8 et les écrous restants M8 de la première étape.





Faites glisser l'entretoise longitudinale, à travers le guide dans l'ensemble de roulette avant et dans la prise de la traverse de la roue arrière. Fixez en place avec les deux vis à tête hexagonale fournis.

Le stand de 16TW peut également être utilisé avec la version essence FM16P de la fendeuse.

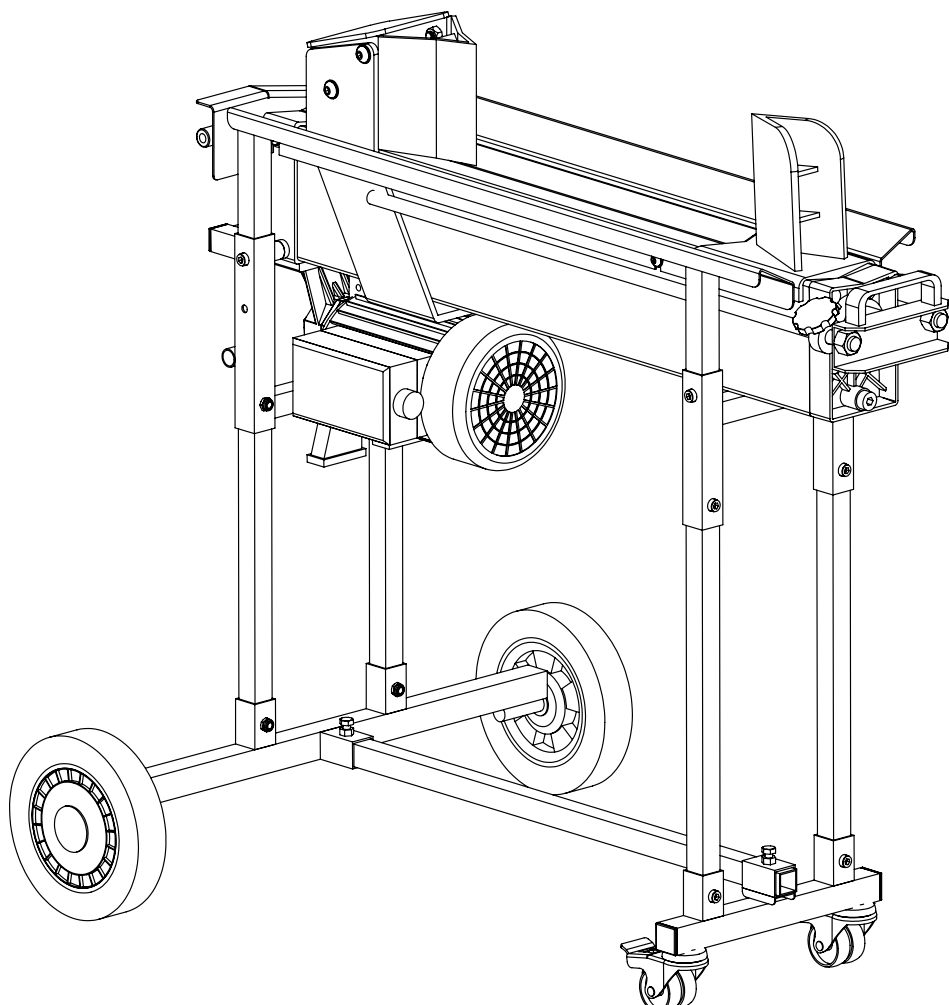


# SPACCALEGNA ELETTRICO



WWW.FOREST-MASTER.COM

MODELLO FM16(D/T/TW/P)(Duocut)



it

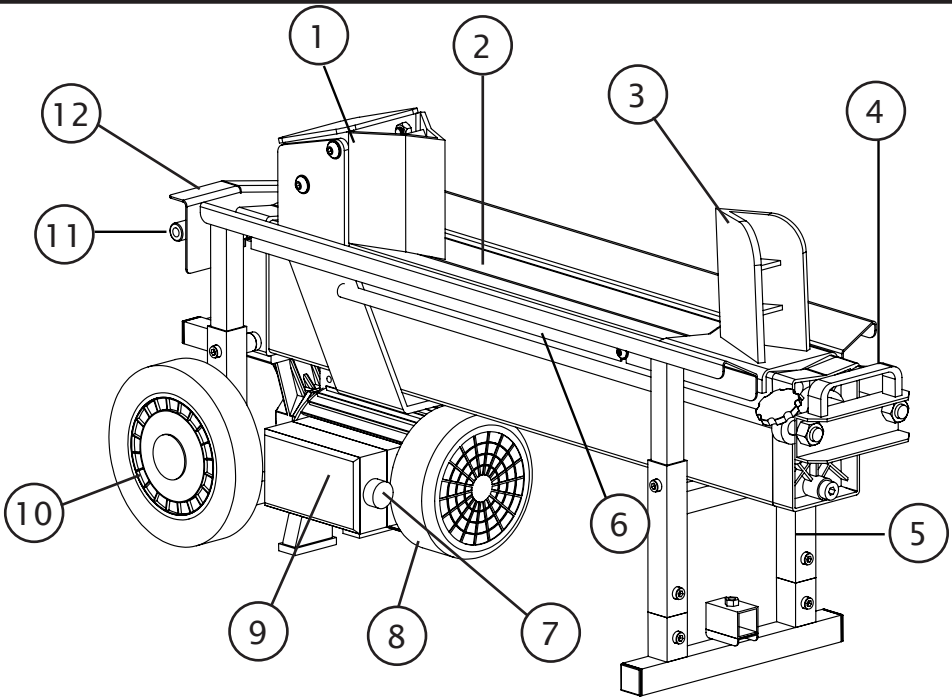
Il Modello Mostrato FM16TW

**IMPORTANTE:** leggere con molta attenzione il presente Manuale, prima di iniziare ad operare.

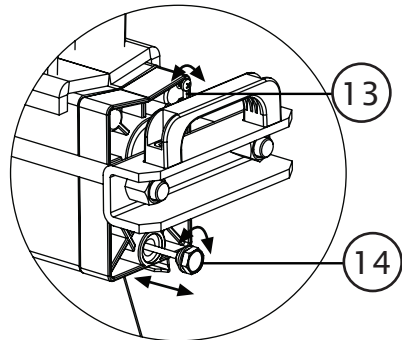


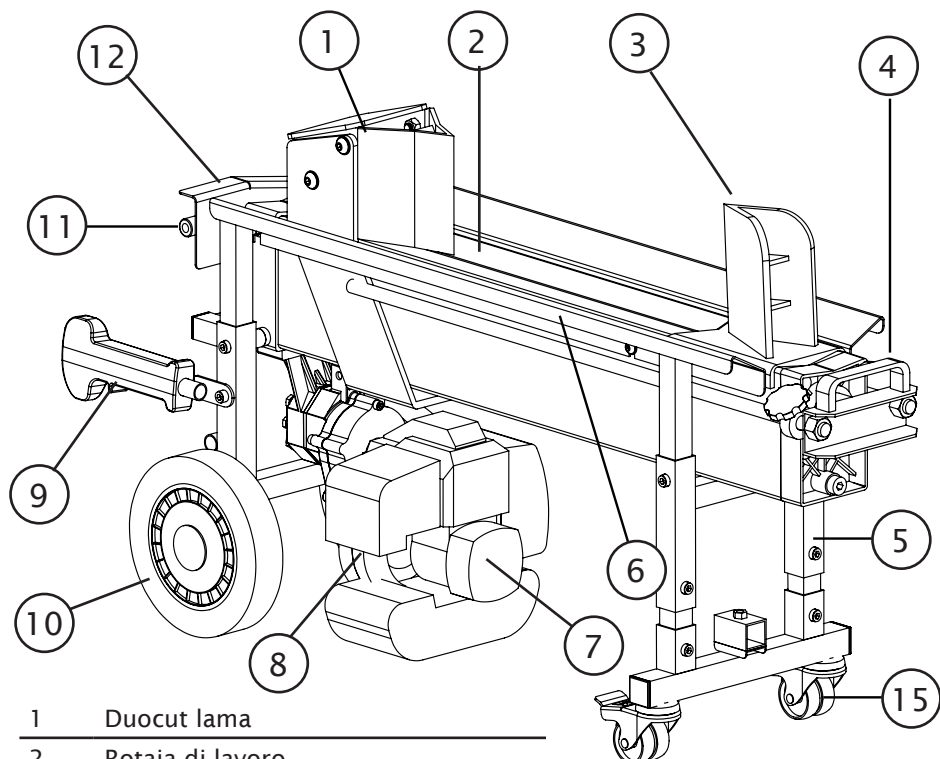
Specifiche tecniche	2
Conoscere il tuo spaccalegna elettrico	3
Conoscere il tuo benzina spaccalegna	4
Sicurezza	5
Operazione	9
Manutenzione	17
Vista esplosa	20
Elenco dei componenti	21
Garanzia	23
Montaggio del supporto	24

<b>MODELLO</b>	<b>FM16(D/T/TW)</b>	<b>FM16P</b>
Diametro del tronco minima	50 mm	50 mm
Diametro del tronco massimo	600 mm	600 mm
Lunghezza del tronco massima	450 mm	450 mm
Motore	230V 50Hz 2300W IP54	35 cc 37 cc 52 cc
Forza di taglio	7 ton 8 ton 9 ton	7 ton 8 ton 9 ton
Pressione idraulica	500 Bar 550 Bar 600 Bar	500 Bar 550 Bar 600 Bar
Capacità idraulico di olio	6.5 Litre	6.5 Litre
Lunghezza	1060 mm	1060 mm
Larghezza	278 mm	278 mm
Altezza	522 mm	522 mm
Peso	78 kg	78 kg

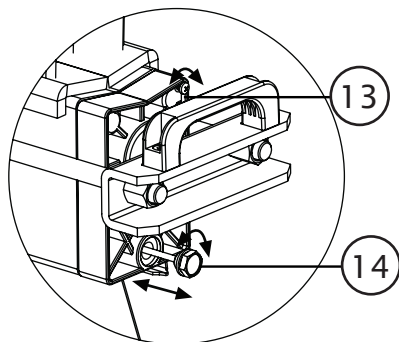


- |    |                              |
|----|------------------------------|
| 1  | Duocut lama                  |
| 2  | Rotaia di lavoro             |
| 3  | Cuneo                        |
| 4  | Leva di sollevamento         |
| 5  | Gamba di sostegno            |
| 6  | Piastre scorrimento tronco   |
| 7  | Interruttore                 |
| 8  | Motore                       |
| 9  | Scatola pulsante             |
| 10 | Ruote (piccolo movimenti)    |
| 11 | Leva di controllo idraulico  |
| 12 | Protezione leva di controllo |





- 1 Duocut lama
- 2 Rotaia di lavoro
- 3 Cuneo
- 4 Leva di sollevamento
- 5 Gamba di sostegno
- 6 Piastre scorrimento tronco
- 7 Interruttore
- 8 Motore
- 9 Scatola pulsante
- 10 Ruote (piccolo movimenti)
- 11 Leva di controllo idraulico
- 12 Protezione leva di controllo
- 13 Vite di spurgo
- 14 Bullone scarico olio / astina
- 15 Rotelle bloccabili







WWW.FOREST-MASTER.COM

**COMPRENDERE L'UTILIZZO DELLO SPACCALEGNA:** Leggere con molta attenzione il presente manuale e le etichette affisse allo spaccalegna. Accertarsi di averne compreso il corretto funzionamento, i campi di applicazione e i suoi limiti, così come i pericoli che possono derivare dall'uso della macchina stessa.

**USO DI DROGHE, ALCOOL O MEDICINALI:**

Non utilizzare lo spaccalegna se si è sotto l'effetto di droghe, alcool o medicinali.

**EVITARE SITUAZIONI PERICOLOSE:**

Utilizzare lo spaccalegna sul terreno, sulla base in dotazione o una delle basi disponibili come accessori. Assicurarsi che la base, se utilizzato, è assemblato in modo sicuro. Mantenere l'area di lavoro pulita e ben illuminata. Gli ambienti di lavoro ingombro favorisce incidenti. Non utilizzare lo spaccalegna in aree bagnate o umide, e non esporlo alla pioggia. Non utilizzarlo in aree in cui siano presenti vapori provenienti da vernici, solventi o liquidi infiammabili.

**ISPEZIONARE LO SPACCALEGNA:**  
Effettuare un'ispezione dello spaccalegna prima di accenderlo. Mantenere i dispositivi di sicurezza al posto giusto e in ordine. Adottare l'abitudine di controllare che le chiavi di regolazione siano rimosse dall'area di lavoro prima di accendere la macchina. Sostituire i componenti danneggiati o mancanti prima di utilizzare la macchina.

**INDOSSARE INDUMENTI APPROPRIATI:**

Non indossare abiti larghi, guanti, collane o altri gioielli (anelli, orologi da polso), poiché possono restare impigliati nella macchina. Si consiglia l'uso di guanti protettivi non conduttori di elettricità e scarpe anti-scivolo. Inoltre, raccogliere i capelli lunghi in modo da evitare che vengano catturati dalla macchina quando è in funzione.

**PROTEGGERE OCCHI E VOLTO :**

Qualsiasi spaccalegna può gettare corpi estranei negli occhi. Ciò può causare danni permanenti agli occhi. Indossare sempre occhiali di sicurezza. Gli occhiali di tutti i giorni hanno un impatto solo lenti resistenti. Essi non sono occhiali di sicurezza.

**PROTEGGERE OCCHI E VOLTO :**

simbolo su la macchina



Sicurezza



Stand dietro ea destra della macchina durante l'utilizzo. Non piegarsi alla macchina di funzionare, questa è una posizione scomoda operativa che ha l'operatore portare la faccia vicino alla macchina, e quindi rischiare di essere colpito da trucioli di legno o detriti.

#### **PROLUGHE ELETTRICHE:**

L'uso improprio delle prolughe può causare uno scorretto funzionamento dello spaccalegna, che a sua volta potrebbe surriscaldarsi. Accertarsi che la prolunga non abbia una lunghezza superiore ai 10m e che la sua sezione non sia inferiore a  $2.5\text{mm}^2$ , al fine di garantire un uso sicuro del cavo. Evitare l'uso di connessioni libere e isolate in modo inadeguato. Le connessioni devono essere fatte in modo corretto e adatto ad un uso in ambiente esterno.

#### **EVITARE SCOSSE ELETTRICHE:**

Controllare che il circuito elettrico sia adeguatamente protetto e che la presa eroghi la potenza, il voltaggio e la frequenza previsti per il motore. Controllare che ci sia una connessione a terra e un interruttore differenziale di regolazione a monte. Adagiare lo spaccalegna al suolo. Evitare il contatto fisico con tubazioni, radiatori, stufe ed altre parti o oggetti pericolosi. Mai aprire la scatola elettrica dove è presente il pulsante di accensione. Dovesse essere necessario farlo, contattare un elettricista qualificato.

Accertarsi che le dita non tocchino i poli di metallo della spina mentre la si sta collegando o scollegando alla rete elettrica.

**EVITARE USTIONI:** Evitare il contatto con l'olio caldo, gas di scarico e superfici calde. Non toccare il motore o di scarico, queste parti sono molto calde dal funzionamento e rimangono calde per un certo tempo dopo che l'unità è spenta. Lasciare raffreddare il motore prima di fare manutenzione o regolazione.

**MOTORE A BENZINA:** Spegnerne sempre il motore prima di spostare la macchina. Non modificare o regolare qualsiasi parte della macchina o del motore che viene sigillato dal produttore o dal distributore. Controllare sempre prima dell'uso, come specificato nel manuale del produttore.

simbolo su la macchina



WWW.FOREST-MASTER.COM

Non modificare le impostazioni del motore né eccessiva velocità del motore. Il regolatore controlla la velocità massima di sicurezza di funzionamento del motore.

Non far funzionare il motore ad alta velocità quando non si lavora.

### **TENERE I BAMBINI LONTANO I VISITATORI ED:**

Lo spaccalegna deve essere sempre utilizzato da una sola persona. Chiunque altro deve essere tenuto a debita distanza dall'area di lavoro, specialmente quando lo spaccalegna è in funzione. Mai servirsi dell'aiuto di altre persone per liberare un tronco impigliato nello spaccalegna.

### **ISPEZIONARE IL TRONCO:**

Accertarsi che non ci siano chiodi o altri corpi estranei nei tronchi da tagliare. Le estremità dei tronchi devono essere tagliate a 90 ° rispetto alla base. I rami devono essere tagliati a livello con il tronco.

### **NON SPORGERSI :**

Il pavimento non deve essere scivoloso. Mantenere sempre l'equilibrio. Mai stare in piedi sopra lo spaccalegna. Possono verificarsi incidenti gravi se lo spaccalegna si inclina o se si verifica un contatto accidentale con la parte di taglio. Non riporre alcun oggetto sopra o nei pressi dello spaccalegna.

### **EVITARE DANNI CAUSATI DA INCIDENTI CASUALI:**

Prestare sempre la massima attenzione al movimento dello spaccalegna.

Non cercare di caricare il tronco prima che la guida che lo spinge si sia fermata. Tenere le mani lontane da tutti i componenti mobili.

### **PROTEGGERE LE MANI:**

Tenere le mani lontane dai tagli e dalle crepe che si aprono nel tronco, poiché possono richiudersi improvvisamente tagliando o amputando le mani.

Non rimuovere con le mani i tronchi che sono rimasti impigliati.

### **NON FORZARE LA MACCHINA:**

Lo spaccalegna funziona al meglio ed in modo oìù sicuro se lavora al livello per cui è stato progettato. Mai tentare di tagliare tronchi più larghi di quanto indicato sulla tavola delle caratteristiche tecniche. Ciò può rivelarsi pericoloso e può danneggiare la macchina stessa. Non utilizzare lo spaccalegna per uno scopo diverso da quello per cui è stato progettato.

simbolo su la macchina



Sicurezza





**MAI LASCIARE LA MACCHINA INCUSTODITA MENTRE E' IN FUNZIONE:**

Non lasciare la macchina incustodita prima che sia giunta all'arresto completo.

**SCOLLEGARE L'ALIMENTAZIONE:**

Staccare la spina dello spaccalegna quando non è in uso. Prima di compiere qualsiasi regolazione, prima di sostituire dei componenti, prima di pulirlo o prima di lavorarci. Consultare il manuale tecnico prima di eseguire operazioni di assistenza.

**PROTEGGERE L'AMBIENTE:**

Portare l'olio utilizzato presso un centro autorizzato alla raccolta o seguire le norme stabilite nel paese in cui si utilizza lo spaccalegna.

Non versare l'olio usato nelle fogne, nel suolo o nell'acqua.

**MANTENERE LO SPACCALEGNA AVENDONE CURA:** Tenere lo spaccalegna pulito al fine di mantenerne il funzionamento ottimale e sicuro.

**RENDERE L'AMBIENTE DI LAVORO SICURO A PROVA DI BAMBINO:**

Chiudere l'ambiente di lavoro. Disconnettere gli interruttori principali. Chiudere a chiave l'officina. Riporre lo spaccalegna in un posto sicuro lontano da bambini e persone non qualificate all'uso.

Le avvertenze, le precauzioni e le istruzioni di cui al presente manuale non possono coprire tutte le possibili condizioni e situazioni che possono verificarsi. Si deve comprendere che il buon senso e cautela devono essere applicate dall'operatore quando si utilizza lo spaccalegna.

simbolo su la macchina





## CONDIZIONI PER L'USO

Questo spaccalegna è un modello adatto ad un uso non professionale. E' progettato per poter funzionare a temperature comprese tra +5°C e 40°C e per essere installato ad altitudini che non siano superiori a 1000m sopra il livello del mare. L'umidità circostante non deve essere inferiore al 50% a 40°C. Lo spaccalegna può essere riposto o trasportato in presenza di temperature comprese tra -25°C e 55°C.

## REQUISITI ELETTRICI

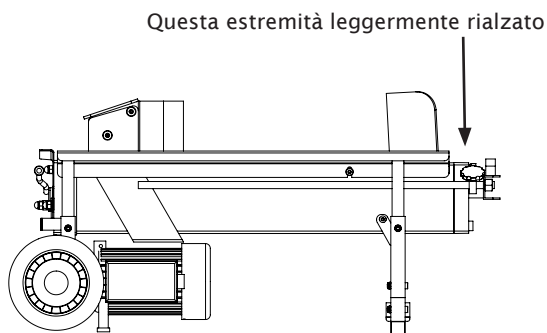
Collegare il cavo di alimentazione ad un rifornimento elettrico standard 230V+/-10% (50Hz+/-1Hz) che sia dotato di dispositivi di protezione di sotto-voltaggio, sovra-voltaggio, sovra-corrente, così come di un dispositivo di corrente residua (RCD) con un livello massimo di corrente residua pari a 0.03A.

Questo apparecchio è dotato di una spina di alimentazione elettrica UK 3 pin e viene fornito con un adattatore 2 pin per l'uso, se necessario. NON rimuovere il tappo rete elettrica a 3 pin e montare un pin 2 spina di alimentazione elettrica.

## POSIZIONAMENTO DEL SPACCALEGNA

Il spaccalegna deve essere posizionato livello o, preferibilmente posizionato con la fine dove il cuneo fisso è, leggermente rialzata. Una differenza di 5mm rispetto alla lunghezza del spaccalegna è sufficiente.

Essa non deve essere posizionato con l'estremità a cuneo fisso, inferiore alla maniglia estremità operativa, in quanto ciò può limitare il flusso dell'olio alla pompa.

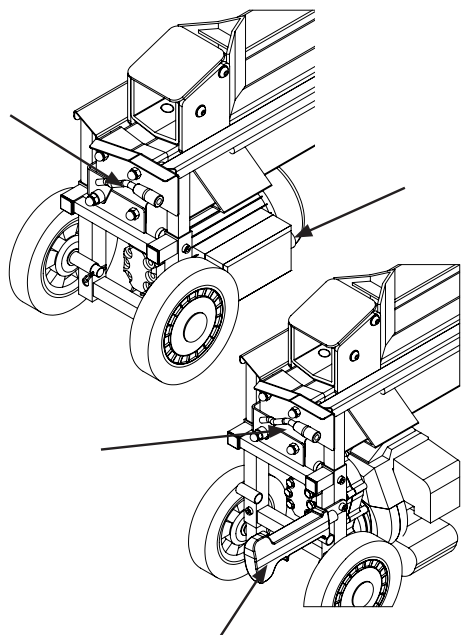
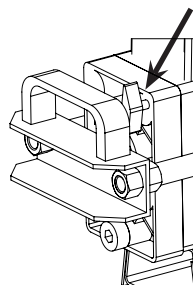




## VITE DI SPURGO DELL'ARIA

Prima di operare con lo spaccalegna, la vite di spurgo deve essere allentata, fino a quando l'aria passa senza impedimenti dentro e fuori il serbatoio dell'olio.

Il flusso d'aria attraverso il foro della vite di spurgo dovrebbe poter essere individuato durante il funzionamento dello spaccalegna. Prima di spostare lo spaccalegna, accertarsi che la vite di spurgo sia ben serrata, al fine di evitare perdite.



## FUNZIONAMENTO A DUE MANI

Questo spaccalegna è dotato di un sistema di controllo che richiede un'operazione da entrambe le mani dell'utente - Una mano controlla la leva di comando idraulica mentre l'altra mano controlla l'interruttore a pulsante o comando dell'acceleratore. Il spaccalegna congelerà sulla assenza di entrambe le mani. Solo dopo che entrambe le mani rilasciano i controlli, sarà il spingitronco iniziare a tornare indietro nella posizione di partenza.

Per dividere il tronco, premere e tenere premuto il pulsante per avviare il motore elettrico (o della valvola a farfalla per il motore a benzina) e poi spostare la leva per far avanzare l'ariete.

Non spostare la leva prima di premere il pulsante o l'acceleratore.



**IMPORTANTE:** Il mancato allentamento della vite di spurgo mantiene l'aria compressa e sigillata all'interno del sistema idraulico anche dopo essere stata decompressa. Questa continua compressione e decompressione provoca l'esplosione delle guarnizioni del sistema idraulico e causa danni permanenti allo spaccalegna



La forza di scissione e la velocità sono disciplinate dalla leva di comando 2 stadi. Spingendo la leva in 1<sup>a</sup> posizione (a circa metà strada) dà maggiore velocità e meno forza per la scissione tronchi più morbide. Spingendo la seconda posizione dà la massima forza a una velocità inferiore per spaccare duro e tronchi stagionati. Le fasi possono essere spostati semplicemente sollevando e abbassando la leva.

### **MOTORE A BENZINA (FM16P)**

Il motore a benzina è fornito senza carburante. Prima dell'uso, riempire il serbatoio del carburante, come specificato nel manuale di costruttori di motori incluso separatamente.

Si noti che il FM16P può essere fornito con un motore a 2 tempi o 4 tempi, consultare il manuale di produttori di motori (incluso separatamente), per verificare quale tipo avete. Se non si dispone il manuale costruttori di motori, contattare Foresta Maestro.

Avviare il motore seguendo la procedura indicata nel manuale produttori di motori.

### **LUBRIFICARE LA LAVORAZIONE SUPERFICIE**

Alcuni tipi di legno può contenere un sacco di linfa che possono occasionalmente aderire alla superficie di lavoro della spaccalegna. Ciò può causare il distanziatore di plastica sotto la lama mobile o spintore, per aderire alla superficie di lavoro, provocando la lama per scuotere e possibilmente tirando il distanziatore via da sotto la lama.

Per evitare che ciò accada, si consiglia di lubrificare superficie di lavoro del spaccalegna prima del primo utilizzo e in seguito periodicamente.

Se il distanziale in plastica venga tirato da sotto la lama o di spinta, non utilizzare lo spaccalegna fino a quando il distanziatore è stato riparato.



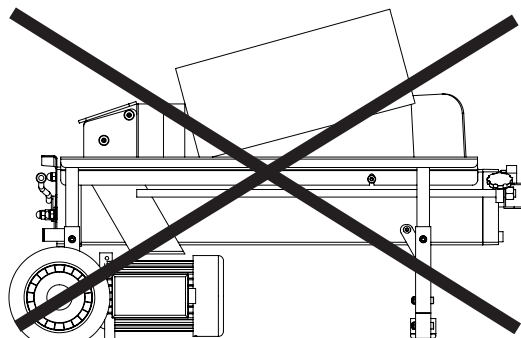
**ATTENZIONE: Non usare mai la macchina senza il distanziatore in plastica montato sotto la lama.**



WWW.FOREST-MASTER.COM

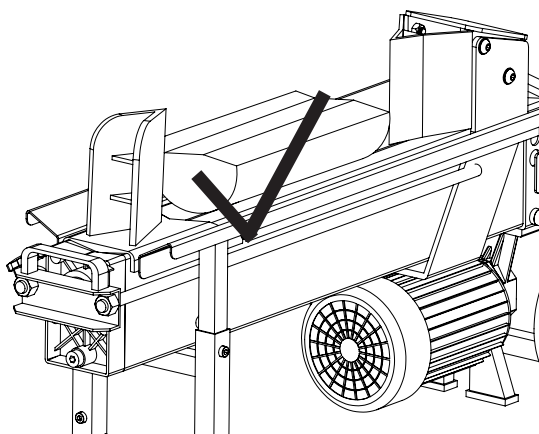
## Operazione

Fissare sempre i tronchi in modo fermo sulle piastre di tenuta e sulla rotaia di lavoro. Accertarsi che i tronchi non si girino, non si inclinino e non scivolino mentre si procede al loro taglio. Non forzare la lama spaccando il tronco sulla parte superiore, poiché così facendo si rompe la lama o comunque si rischia di danneggiare la macchina stessa.



Rompere il tronco nella direzione di crescita della venatura. Non posizionare il tronco di traverso sullo spaccalegna per romperlo. Può essere pericolosa e può danneggiare seriamente la macchina. Non tentare di spaccare due tronchi contemporaneamente.

Se spaccare il tronco che è già stato diviso, posizionare sempre il tronco in modo che il volto divisione è più in alto e la faccia esterna corteccia coperta di log è contro il letto del spaccalegna.



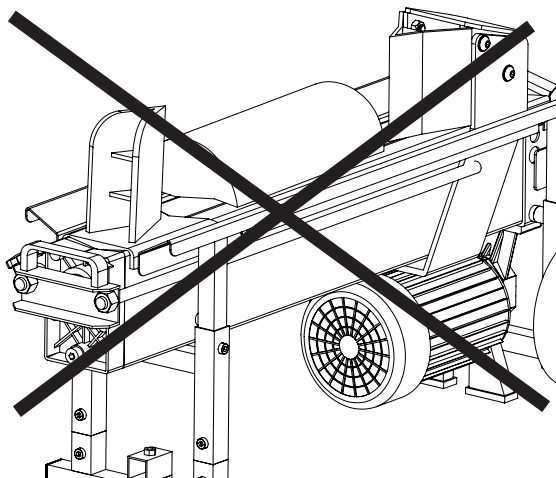
**IMPORTANTE:** Non tentare di dividere un log in tutto il grano.





WWW.FOREST-MASTER.COM

Non mettere mai un tronco split con la faccia spaccata o volti contro il letto del spaccalegna, come questo può causare il tronco di marmellata contro le guide tronco come si divide, piegando così e possibilmente rompere le guide di registro e, eventualmente, il corpo del log splitter.



Operazione

Dopo 5 secondi di funzionamento, l'olio sotto pressione risulterà surriscaldato e la macchina potrebbe aver riportato danni. In caso si abbia un tronco particolarmente duro da tagliare, ruotarlo di 90° per vedere se può essere spaccato in una diversa direzione. In ogni caso, se non si riesce a tagliarlo, significa che la sua durezza supera la capacità di taglio della macchina, e che pertanto il tronco dovrebbe essere rimosso dalla macchina per proteggere lo spaccalegna.

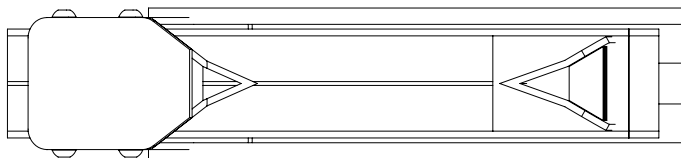


**ATTENZIONE:** Non mettere mai il viso diviso o facce di un tronco contro superficie di lavoro del spaccalegna.

**IMPORTANTE:** Mai forzare lo spaccalegna per più di 5 secondi esercitando su di.



## VERIFICA DELL'ALLINEAMENTO DUOCUT LAMA

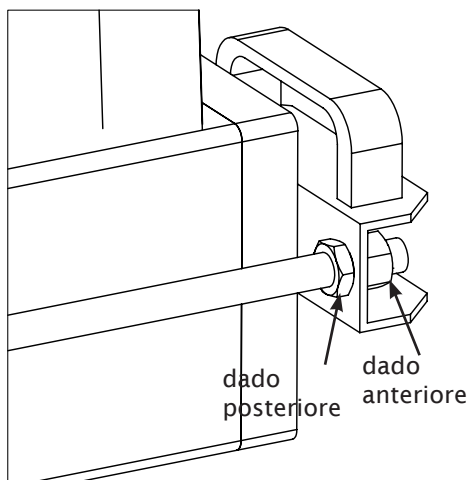


Prima di dividere i log, l'allineamento della lama Duocut deve essere controllato e regolato, se necessario. La lama Duocut deve puntare lungo la linea centrale del letto splitter e allinearsi con il bordo della lama fissa.

Per regolare l'allineamento della lama Duocut, serrare o allentare il dado della estremità anteriore di ciascuno dei bracci a culla per aumentare o diminuire la tensione.

Per aumentare la tensione, ruotare la parte posteriore del dado in senso antiorario per allentarlo quindi ruotare il dado anteriore in senso orario per stringerlo.

Per diminuire la tensione, ruotare il dado anteriore in senso antiorario per allentarlo quindi ruotare il dado posteriore in senso orario per stringerlo.





## Mantenimento della lama mobile in uso

Nella maggior parte delle condizioni, il vostro spaccalegna non avrà un problema se le lame incontrano un nodo del legno. La lama che incontra il nodo semplicemente fermare la scissione e lo splitter continuerà scissione con l'altra lama.

Tuttavia vi è una possibilità che, se la lama mobile colpisce un nodo ad un angolo poco profondo quindi piuttosto che la lama mobile arresto, la lama mobile può essere deviato dalla linea centrale della macchina. In questo caso, se si continua a spaccare il legno, le lunghe braccia della lama carrello mobile può essere piegato fuori allineamento.

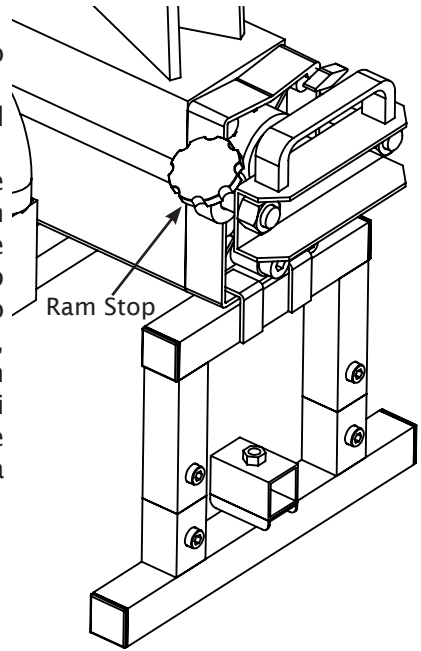
Quando si è spaccare tronchi, è necessario quindi monitorare la lama in movimento e se si osserva la lama di essere deviato lontano dalla mezzeria dello splitter, si deve interrompere immediatamente la scissione. Dopo che la lama è tornata alla sua posizione di arresto, è necessario ruotare il registro di 90 gradi attorno all'asse lungo e provare a spaccare la legna ancora una volta.

Per ridurre al minimo la possibilità di un nodo deviando la lama, si raccomanda di posizionare tronchi che hanno un nodo visibile, in modo che il nodo è verticale. Si noti, tuttavia, che, come spiegato a pagina 13, non devi posizionare un tronco con un viso diviso verso il letto del spaccalegna al fine di posizionare un nodo in verticale.



### RAM STOP

Allentare la manopola sulla Ram Stop in modo che sia libero di scorrere sulla barra. Azionare lo spaccalegna per spostare il pistone in avanti alla lunghezza desiderata. Tenendo la leva di comando per garantire il pistone non ritorna, posizionare la Ram Stop contro la parte anteriore dello splitter e serrare utilizzando la manopola. La Ram Stop può essere regolata semplicemente svitando la manopola e scorrevole lungo la barra culla, il pistone può essere necessario spostare in avanti a seconda della lunghezza del log si desidera dividere. La leva di comando deve essere tenuto in posizione quando si svita la Ram Stop, o il pistone tornerà.



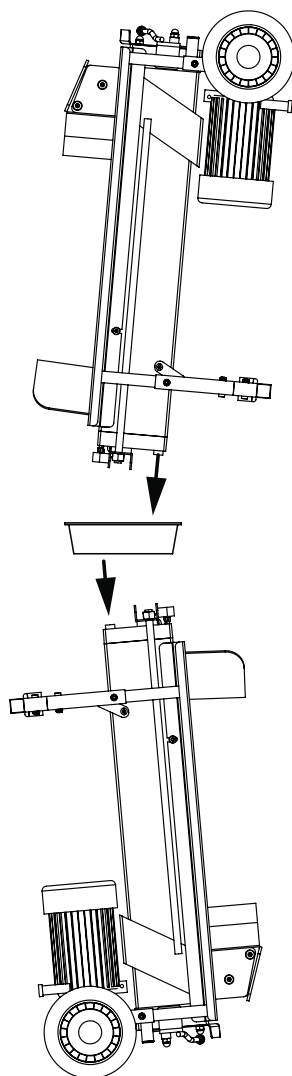
**IMPORTANTE:** Accertarsi che il motore sia spento e usare solo la leva di comando per tenere il pistone in posizione durante la regolazione della Ram Stop.



## SOSTITUIRE L'OLIO IDRAULICO

Sostituire l'olio idraulico nello spaccalegna dopo 150 ore di utilizzo della macchina. Adottare le seguenti misure per sostituirlo.

- Accertarsi che tutte le parti movibili siano ferme e che lo spaccalegna sia scollegato dalla corrente.
- Svitare il bullone di drenaggio con l'asta di livello per rimuoverlo.
- Ruotare lo spaccalegna verso il lato della gamba di sostegno sopra un contenitore della capacità di 8 litri per drenare l'olio idraulico e farlo uscire.
- Ruotare lo spaccalegna sul lato del motore.
- Riempire con olio idraulico fresco secondo la capacità di olio idraulico del modello, indicate nella tabella delle Specifiche tecniche.
- Pulire la superficie dell'asta di livello sul bullone di drenaggio dell'olio, e riporla nuovamente nel serbatoio dell'olio mentre si mantiene lo spaccalegna in posizione verticale.
- Accertarsi che il livello dell'olio ripristinato sia compreso tra le due scanalature attorno all'asta di livello.
- Pulire il bullone di drenaggio prima di riavvitarlo. Accertarsi che sia ben serrato per evitare perdite prima di posizionare lo spaccalegna in posizione orizzontale.



Controllare periodicamente il livello dell'olio per assicurarsi che sia tra i 2 scanalature intorno l'asta di livello. Quando il livello dell'olio raggiunge la scanalatura inferiore, è necessario rabbocco dell'olio. Si consiglia di utilizzare ISO fluido idraulico 46 grado, a volte etichettato come # 46 olio di qualità.



### **AFFILARE IL CUNEO**

Dopo aver usato lo spaccalegna per un certo periodo, affilare il cuneo dello spaccalegna mediante l'uso di una lima a denti fini e appianare qualsiasi bavatura o parte danneggiata lungo il bordo di taglio.

### **CARRELLO MOBILE**

Quando nuovo, si può notare che a volte il carrello mobile è lento rinviare o non restituisce completamente al rilascio dei comandi. Ciò è dovuto al necessario accoppiamento preciso tra il distanziale in plastica che è montato sotto e sui lati dello spintore o Duocut lama. Con l'uso questo spacer indosserà modo che il carrello restituisce correttamente.

Se dopo aver usato il spaccalegna per un po', il carrello è ancora lento a restituire o non restituisce completamente, seguire la procedura riportata di seguito.

Lie splitter su un lato e rimuovere le due viti che fissano lo lama su quel lato. Rimuovere le rondelle dall'esterno del carrello e metterli tra carraige e lama. Se è difficile ottenere le rondelle in poi il divario può essere aperto con un cacciavite a lama piatta.

Verificare lo spaccalegna e se il carrello non è ancora tornando correttamente, ripetere la procedura con le viti sul lato opposto.

Si noti che quando il distanziatore di plastica è finalmente in letti, si raccomanda di ritorno le rondelle alla posizione esterna.

### **MOTORE A BENZINA**

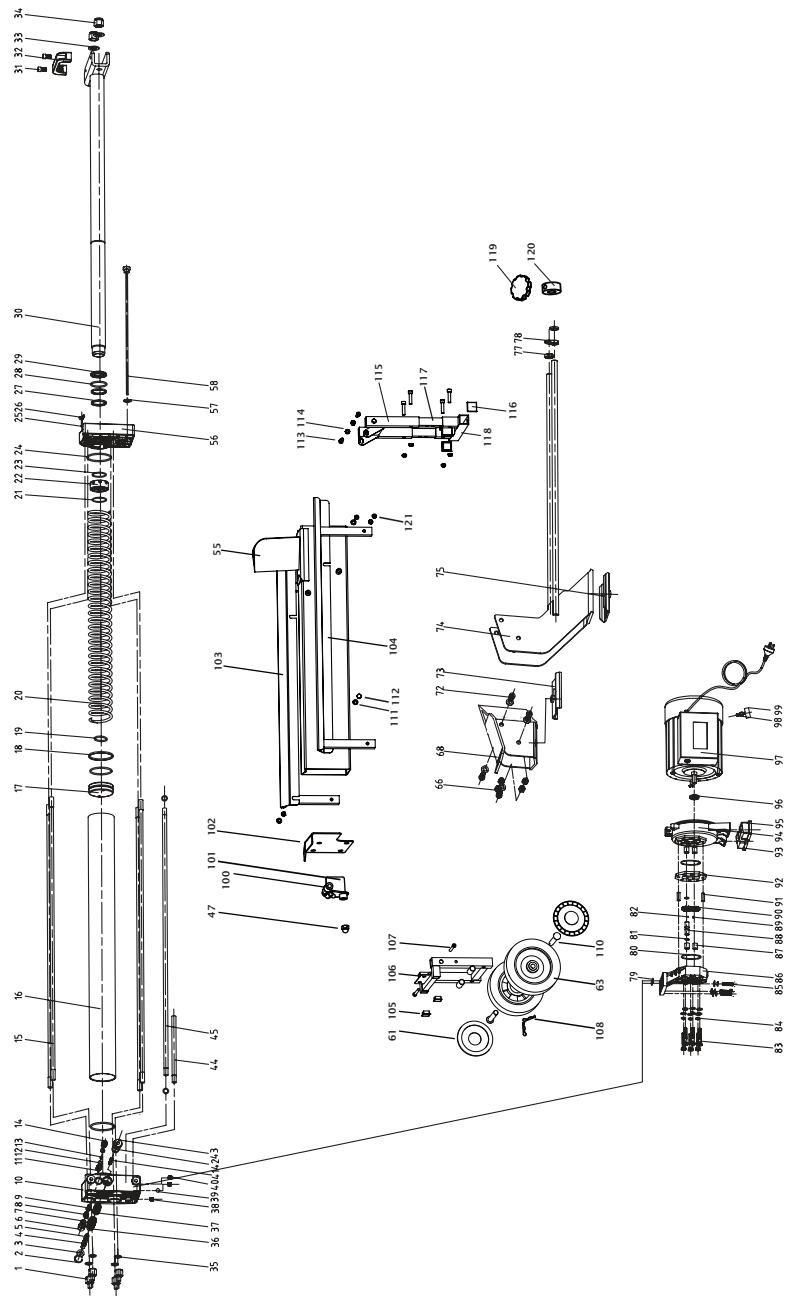
Per la manutenzione e la risoluzione dei problemi del motore a benzina, vedere manuale del produttore incluso separatamente.



PROBLEMA	PROBABILE CAUSA	CONSIGLIATO
Non taglia il tronco	Il tronco è posizionato in modo incorretto	Fare riferimento alla sezione "Operazione" per caricare correttamente il tronco
	Le dimensioni o la durezza del tronco superano la capacità della macchina	Ridurre le dimensioni del tronco prima di tagliarlo sullo spaccalegna
	La superficie di taglio del cuneo è smussata	Fare riferimento alla sezione "Affilare il cuneo" per affilare la superficie di taglio
	C'è una perdita d'olio	Localizzare la/e perdita/e e contattare il rivenditore
	Bassa pressione causata dalla regolazione non autorizzato del Max. Limitazione di pressione Vite.	Contattare il rivenditore
	Blocco parziale dei modi di olio della pompa.	Girare lo splitter a testa in giù. Svitare i 3 bulloni di fissaggio della pompa al lato inferiore della piastra posteriore. Verificare i modi di olio nella pompa e la piastra di estremità per i segni di un blocco.  Contattare il rivenditore
La guida di spinta del tronco si muove a scatti, facendo rumore non familiare o vibrare un sacco	Mancanza di olio idraulico e presenza di aria eccessiva nel sistema idraulico	Controllare il livello dell'olio e rabboccare se necessario
		Contattare il rivenditore
Perdite di olio attorno al pistone cilindrico o da altri punti	E' rimasta dell'aria l'interno del sistema idraulico mentre si adoperava lo spaccalegna	Allentare la vite di spurgo di 3 ~ 4 rotazioni prima di far funzionare lo spaccalegna
	La vite di spurgo non è stata ben serrata prima di spostare lo spaccalegna	Serrare la vite di spurgo prima di muovere lo spaccalegna
	Il bullone di drenaggio dell'olio con l'asta di livello non è serrato	Serrare il bullone di drenaggio dell'olio con l'asta di livello
	L'assemblaggio della valvola di controllo idraulico e/o la guarnizione/i sono usurati	Contattare il rivenditore



Vista esplosa







arti- colo	descrizione
1	Nut
2	Snap Washer
3	Washer 10x2
4	Valve Rod
5	O-ring 8.75x1.8
6	Safety Valve Spring Base
7	O-ring 11.2x2.65
8	Safety Valve Spring
9	Safety Valve Core
10	Cylinder Cover Rear
11	Safety Valve Core
12	O-ring 10.6x1.8
13	Sfty Valve Core Adjust Spring
14	Adjusting Spring Base
15	Stud
16	Cylinder
17	Piston
18	Piston Ring
19	O-ring 35.5x3.55
20	Restoring Spring
21	Circlip
22	Snap Washer
23	O-ring 38.7x2.65
24	O-ring 64.4x3.1
25	O-ring 7x1.9
26	Bleed Screw M5x12
27	Wear Resisting Belt
28	O-ring
29	Piston Seal

arti- colo	descrizione
30	Piston Rod
31	Hex Bolt M8x20
32	Handle
33	Washer 16
34	Nut M16
35	Copper Washer 12
36	Valve Rod
37	O-ring 17x1.8
38	Screw M10x8
39	Steel Ball 8.5
40	Screw M10x8
41	Valve Rod Restore Spring
42	O-ring 16x2.65
43	Valve Base
44	Intake Hose
45	Connection Hose
47	Lever Nut
55	Tube Frame
56	Cylinder Cover Front
57	Dipstick Washer
58	Dipstick
61	Wheel Cover
63	Wheel
66	Nut M10
68	Duocut Blade
72	Hex Bolt M10x30
73	Plastic Insert Upper
74	Moving Carriage
75	Plastic Insert Lower



arti- colo	descrizione
76	Support Leg
77	Thin Nut M16
78	Spring Washer 16
79	O-ring 10.6x2.65
80	O-ring 46.2x1.8
81	Gear Shaft Snap Washer
82	Steel Ball 2.5
83	Bolt M8x30
84	Spring Washer 8
85	Bolt M8x30
86	Pump Cover
87	Sleeve Bearing
88	Gear Shaft
89	Pin 2.5x4
90	Gear
91	Pin 8x24
92	Gear Housing Plate
93	Motor Support Shoe Left
94	Motor Cover
95	Motor Support Shoe Right
96	Seal
97	Motor Assembly
100	Lever Knob
101	Operating Lever
102	Lever Guard
103	Log Guide Rail Left
104	Log Guide Rail Right
105	Plastic End Cap

arti- colo	descrizione
107	M8 x 60 Bolt
108	R-Clip
110	Axle
111	M8 Washer
112	M8 x 10 Bolt
113	M8 x 35 Bolt
114	M8 Nut
115	Front Leg Mount
116	Plastic End Cap
117	Front Leg Small Joiner
118	Front Foot
119	Ram Stop Hand Wheel
120	Ram Stop Collar
121	M8 x 25 Bolt



## Garanzia

Questo prodotto ha una garanzia di tre (3) anno limitata contro difetti di fabbricazione e dei materiali. Se questo prodotto dovesse difettoso entro il periodo di garanzia indicato, restituirlo al negozio con prova di acquisto, e sarà sostituito o riparato gratuitamente.

**IMPORTANTE: SI DECLINA OGNI RESPONSABILITÀ PER USO IMPROPRIO DI QUESTO PRODOTTO. MODIFICA DI QUESTO PRODOTTO (A MENO CHE TALE MODIFICA È STATA AUTORIZZATO DAL BOSCO MASTER) INVALIDERÀ LA GARANZIA.**

### Questa garanzia non copre:

1. Qualsiasi parte che è diventato inutilizzabile a causa di uso improprio, abuso, negligenza, incidente, manutenzione inadeguata o alterazione
2. L'unità, se non è stato operato e / o mantenuti in conformità con il manuale del proprietario
3. La normale usura
4. Elementi della manutenzione ordinaria come lubrificanti, affilatura
5. Normale deterioramento della finitura esterna a causa di uso o di esposizione

### Spese di spedizione:

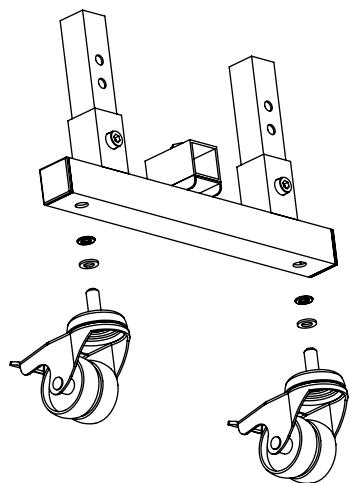
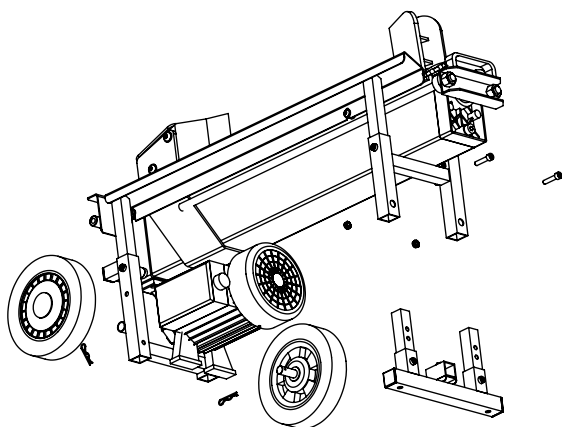
Oneri per la consegna o il ritiro delle unità di spedizione, parti del gruppo o gli allegati all'unità sono a carico dell'acquirente. L'acquirente deve pagare le spese di trasporto per qualsiasi parte presentato per la sostituzione in garanzia a meno che tale ritorno è richiesto da Forest Master.



## 16MW Supporto

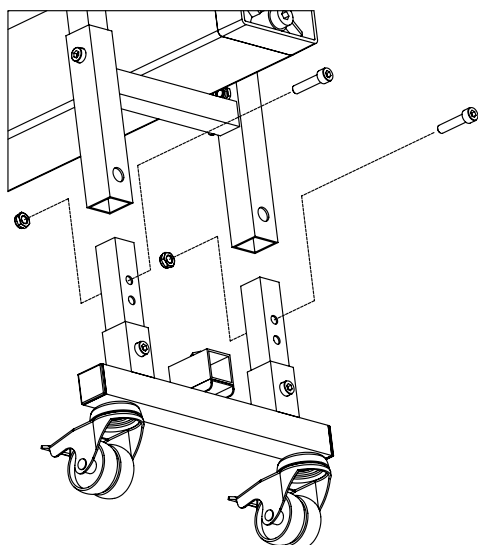
Rimuovere le R-clip dagli assali posteriori e rimuovere ogni gruppo ruota / asse dalle gambe. mantenere le R-clip.

Rimuovere i bulloni superiori che tengono i piedini anteriori e le gambe a monte gamba anteriore e rimuovere il gruppo piede anteriore. Mantenere i dadi e bulloni in quanto saranno utilizzati in rimontaggio.



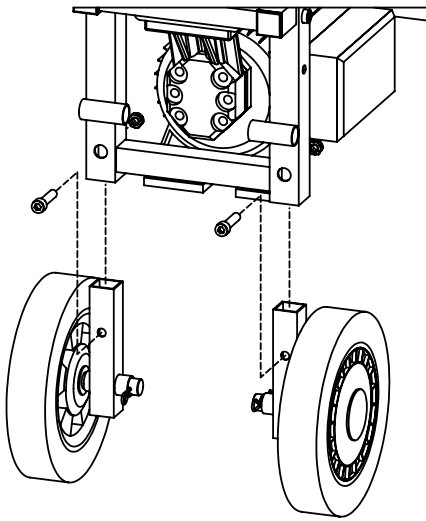
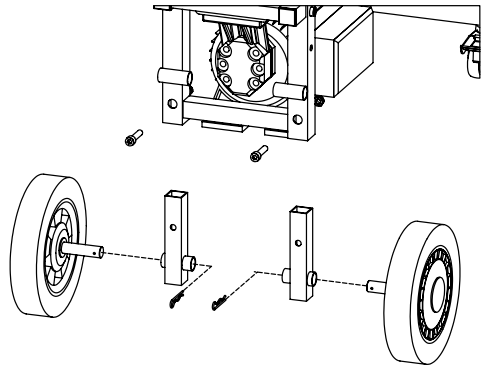
Avvitare le rotelle nel piede anteriore. Assicurarsi che una rondella piana e una rondella elastica è posto tra ciascuna ruota e il piede.

Partecipa al gruppo di piede alla gamba anteriore monte (con i dadi e bulloni esistenti). Il bullone deve passare attraverso la parte superiore dei due fori di ciascuna delle gambe come mostrato.

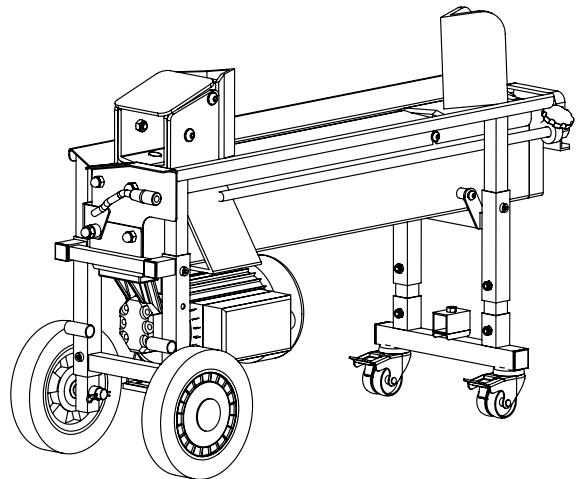




Collegare ogni gruppo ruota / asse posteriore per una breve gamba posteriore utilizzando le R-clip esistenti.



Fissare le assemblee gamba / ruota posteriore alla gamba posteriore montaggio usando i bulloni M8x35 e dadi M8 in dotazione

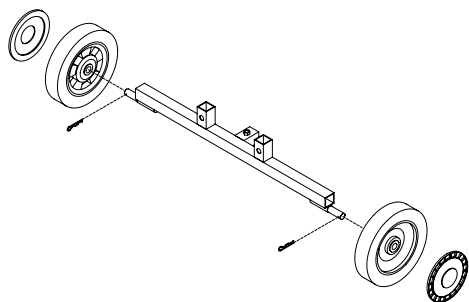
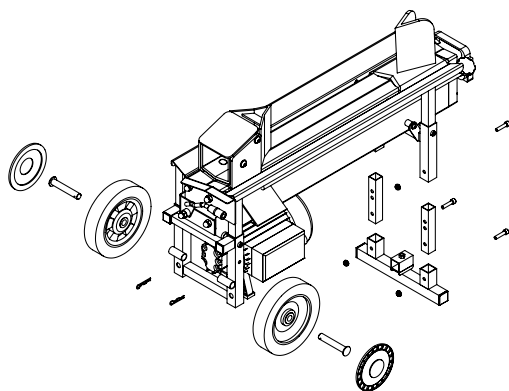




### 16TW Supporto

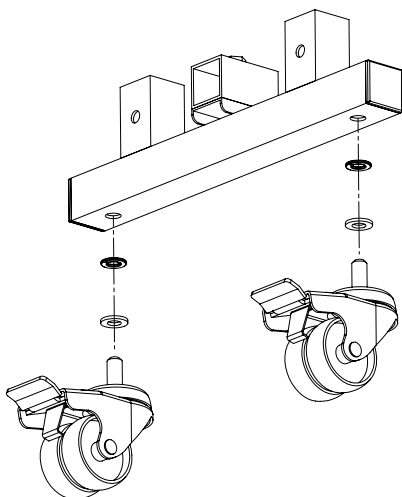
Rimuovere il centro copre dalle ruote posteriori, rimuovere le R-clip (mantenere) dalle estremità degli assi, rimuovere gli assi e le ruote.

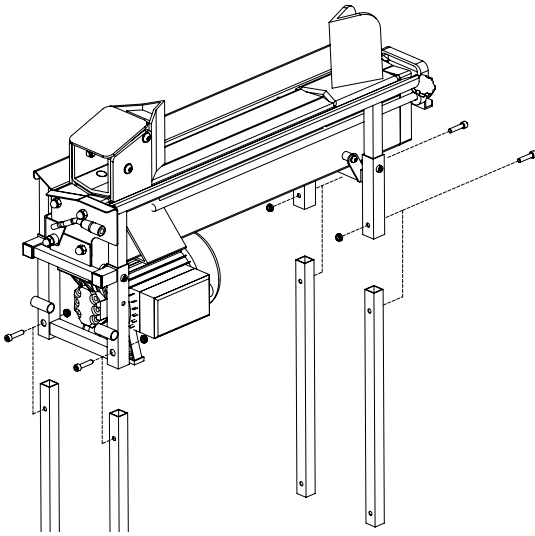
Rimuovere i bulloni che fissano il piede anteriore a le piccole gambe anteriori poi togliere il piede. Rimuovere i bulloni che fissano le gambe corte anteriori alla gamba anteriore mount quindi rimuovere le gambe. Assicurarsi di mantenere tutti i dadi e bulloni.



Mettere le ruote sugli assi stub sulla traversa ruota e fissarle con le R-clip. Montare il centro copre alle ruote.

Avvitare le rotelle nel piede anteriore. Assicurarsi che una rondella piana e una rondella elastica è posto tra ciascuna ruota e il piede.



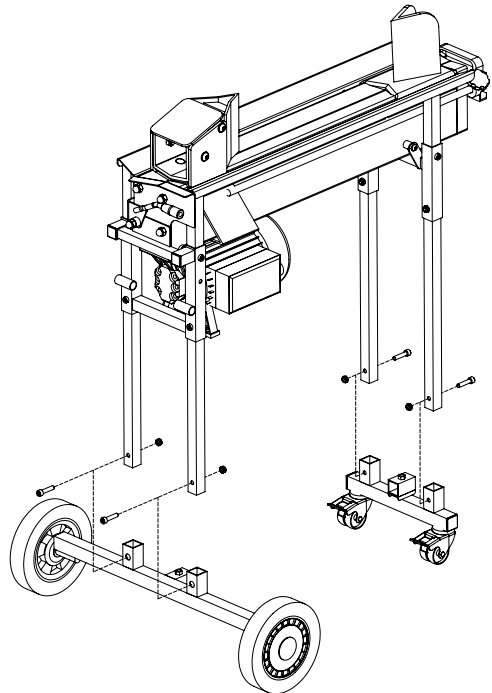


Collegare le lunghe gambe posteriori alla gamba supporto posteriore utilizzando le viti M8x35 e dadi M8 in dotazione.

Collegare le lunghe gambe anteriori alla gamba anteriore di montaggio utilizzando due delle noci e due dei bulloni rimossi nella prima fase.

Collegare il gruppo ruota posteriore per le gambe posteriori utilizzando i bulloni M8x35 e dadi M8 in dotazione.

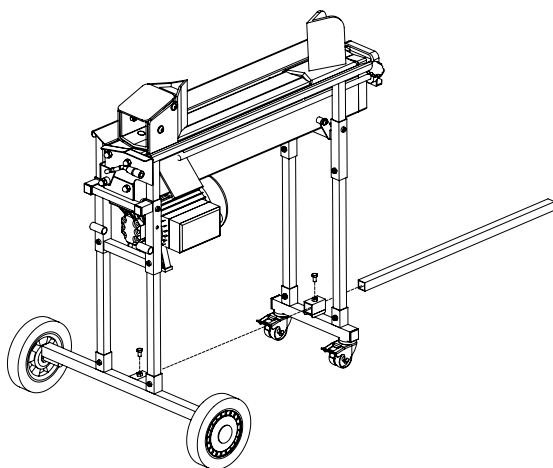
Collegare il gruppo ruota anteriore per le gambe anteriori utilizzando i due restanti bulloni M8 e dadi M8 dal primo passo.





Far scorrere il sostegno longitudinale, attraverso la guida per l'assemblaggio di ricino anteriore e nella presa sulla trave della ruota traversa posteriore. Fissare in posizione con le due viti a testa esagonale in dotazione.

Il supporto 16TW può essere utilizzato anche con la versione a benzina FM16P del spaccalegna.



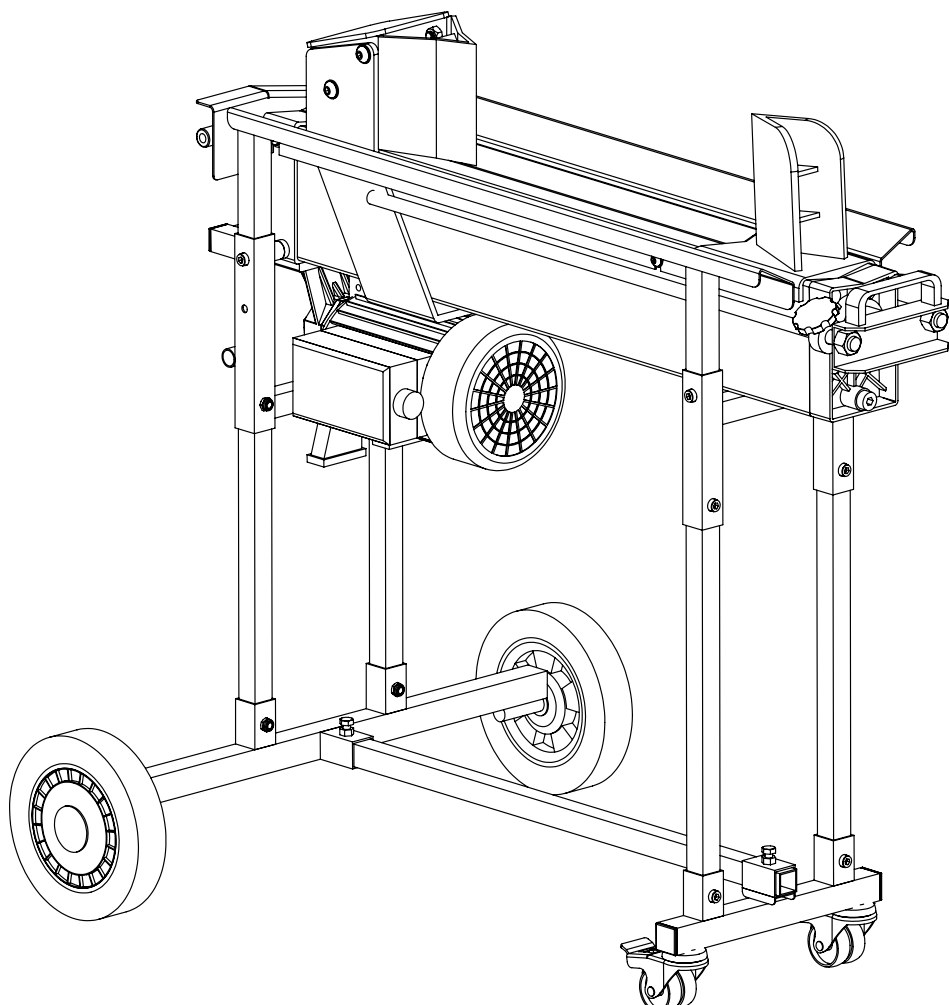


# Cortadora de Troncos



WWW.FOREST-MASTER.COM

MODELO FM16(D/T/TW/P)(Duocut)



es

modelo que se muestra FM16TW

**IMPORTANTE:** Lea todo este manual antes de armar y usar y observar todas las reglas de seguridad e instrucciones de funcionamiento.



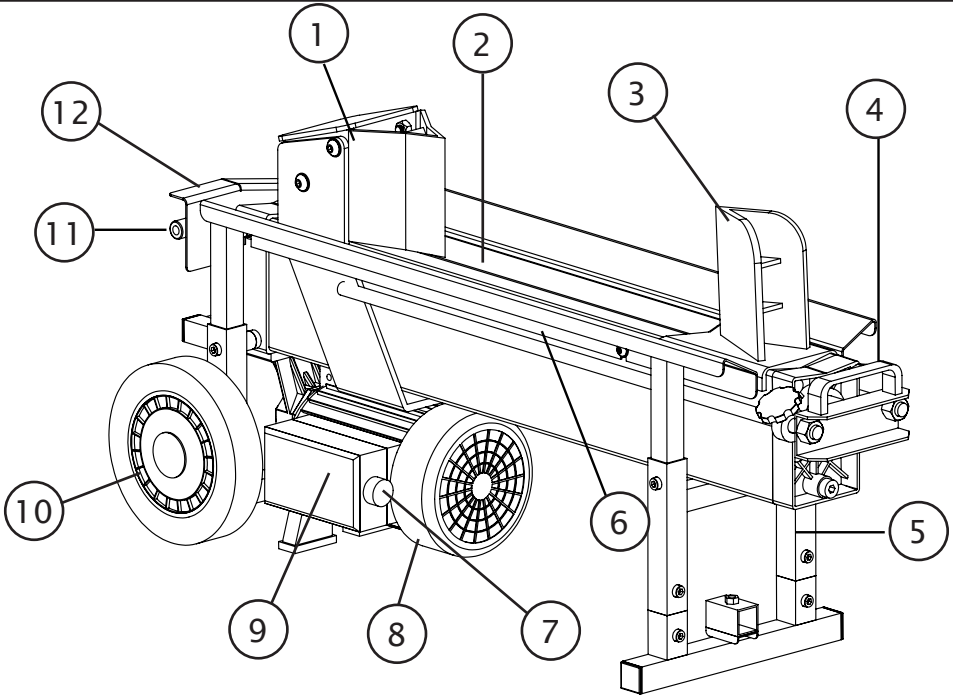
WWW.FOREST-MASTER.COM

Tabella dei contenuti

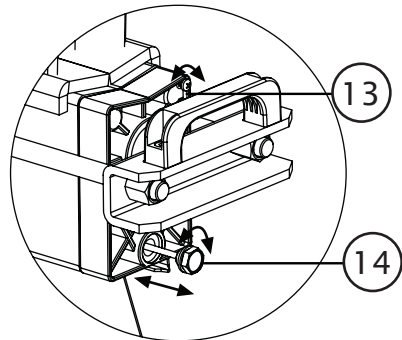
Especificación técnica	2
Conozca su cortadora de troncos eléctrico	3
Conozca su cortadora de troncos gasolina	4
Seguridad	5
Funcionamiento	9
Mantenimiento	17
Vista explosionada	20
Lista de piezas	21
Garantía	23
Montaje del soporte	24

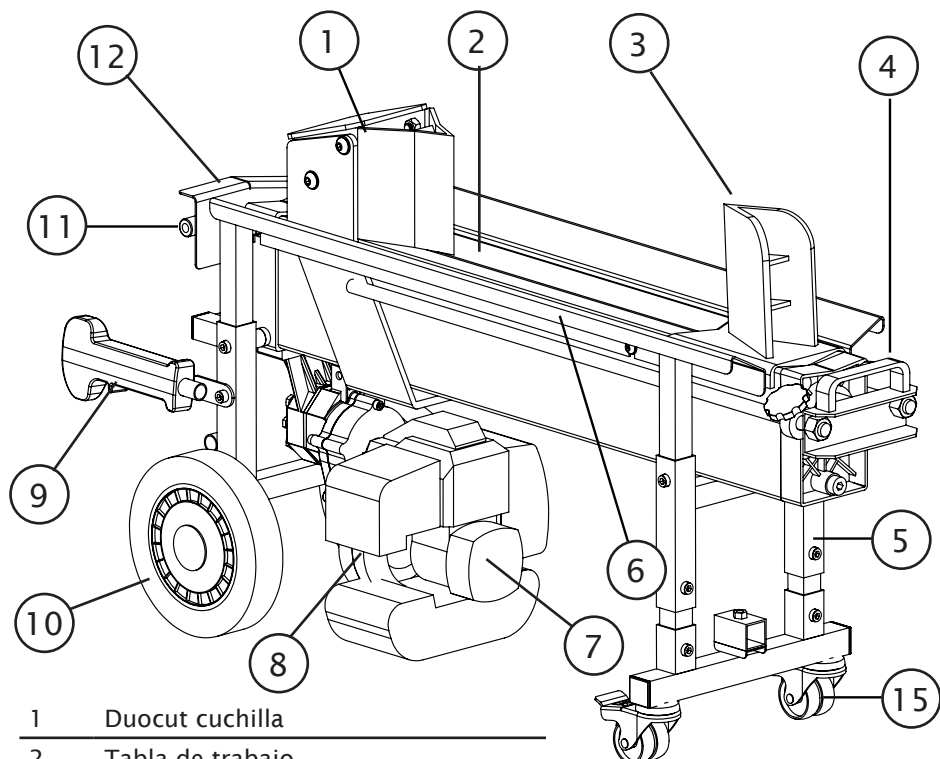
Modelo	FM16(D/T/TW)	FM16P
Diámetro de troncos mínimo	50 mm	50 mm
Diámetro de troncos máximo	600 mm	600 mm
Longitud de troncos máxima	450 mm	450 mm
Motor	230V 50Hz	35 cc
	2300W IP54	37 cc
		52 cc
Fuerza de división	7 ton	7 ton
	8 ton	8 ton
	9 ton	9 ton
Presión hidráulica	500 Bar	500 Bar
	550 Bar	550 Bar
	600 Bar	600 Bar
Capacidad de aceite hidráulica	6.5 Litre	6.5 Litre
longitud	1060 mm	1060 mm
Ancho	278 mm	278 mm
Altura	522 mm	522 mm
Peso	78 kg	78 kg

Especificación técnica

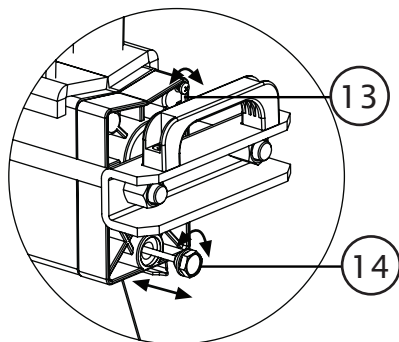


- |    |                                   |
|----|-----------------------------------|
| 1  | Duocut cuchilla                   |
| 2  | Tabla de trabajo                  |
| 3  | Cuña                              |
| 4  | Agarradera de levantamiento       |
| 5  | Pata de apoyo                     |
| 6  | placas de retención de troncos    |
| 7  | Interruptor de botón              |
| 8  | Motor                             |
| 9  | Caja de botones pulsadores        |
| 10 | Ruedas (movimiento menor de edad) |
| 11 | Palanca de control hidráulico     |
| 12 | Protector de la palanca           |





- 1 Duocut cuchilla
- 2 Tabla de trabajo
- 3 Cuña
- 4 Agarradera de levantamiento
- 5 Pata de apoyo
- 6 placas de retención de troncos
- 7 Interruptor de botón
- 8 Motor
- 9 Caja de botones pulsadores
- 10 Ruedas (movimiento menor de edad)
- 11 Palanca de control hidráulico
- 12 Protector de la palanca
- 13 Tornillo de purga de aire
- 14 Bullone scarico olio / astina
- 15 Echadores bloqueables





WWW.FOREST-MASTER.COM

**COMPRENDA LA CORTADORA DE TRONCOS:** Lea y entienda el manual del propietario y las etiquetas adheridas a la cortadora de troncos. Aprenda las aplicaciones y limitaciones, así como los posibles peligros específicos relacionados con él.

Símbolo de la máquina



**LAS DROGAS, EL ALCOHOL Y LOS MEDICAMENTOS:** No utilice la cortadora de troncos si se encuentra bajo los efectos de drogas, alcohol o medicamentos.

**EVITE CONDICIONES PELIGROSAS:** Utilice la cortadora de troncos en el suelo, en el soporte suministrado o uno de los stands disponibles como accesorios. Asegúrese de que el soporte, si se utiliza, está firmemente montado.

Mantenga limpia el área de trabajo. Una mesa o área de trabajo mal despejada es causas común de accidentes.

No utilice la cortadora de troncos en lugares húmedos o mojados ni la exponga a la lluvia.

No lo use en áreas donde los vapores de pintura, disolventes o líquidos inflamables representan un peligro potencial.

**INSPECCIONE LA CORTADORA DE TRONCOS:** Verifique su cortadora de troncos antes de encenderlo. Mantenga las protecciones en su lugar y en buenas condiciones. Acostúmbrese a revisar que las llaves de ajuste se retiran de la zona de la herramienta antes de encenderla. Sustituya las piezas dañadas, faltantes o fallidos antes de usarlo.



**VÍSTASE ADECUADAMENTE:** Evite ponerse ropas holgadas, corbatas ni joyas que puedan engancharse y tirar de usted hacia las piezas en movimiento. Se recomiendan guantes y calzado antiderrapantes al trabajar al aire libre. Si tiene el pelo largo cúbrase de alguna manera para contenerlo.



**PROTÉJASE LOS OJOS Y CARA :** Cualquier partidor puede lanzar objetos extraños en los ojos. Esto puede causar daños oculares permanentes. Siempre use gafas de seguridad. Anteojos de uso diario tienen lentes resistentes impactos únicamente. No son gafas de seguridad.



Seguridad



Símbolo de la máquina

Párese detrás ya la derecha de la máquina cuando se opera la misma. No doble sobre la máquina para operarlo, se trata de una posición de trabajo incómoda que tiene el operador de llevar su cara a la de la máquina, y por lo tanto el riesgo de ser golpeado por virutas de madera o escombros.

**CORDÓN DE EXTENSIÓN:** Asegúrese de que esté en buen estado el cordón de extensión. Al utilizar un cordón de extensión sólo utilice uno del calibre suficiente para soportar la corriente que consume el producto. Un cordón de un grueso insuficiente causa una caída en el voltaje de línea, y produce recalentamiento y pérdida de potencia.

Asegúrese de que el cable de extensión ya no está de 10 metros y su sección no sea inferior a 2.5mm<sup>2</sup> para permitir suficiente flujo de corriente al motor.

**EVITE DESCARGAS ELÉCTRICAS :** Verifique que el circuito eléctrico está protegido adecuadamente y que se corresponde con la potencia, tensión y frecuencia del motor. Compruebe que hay una conexión a tierra y un interruptor diferencial de regulación aguas arriba. Conecte a tierra el partidor. Evite el contacto del cuerpo con superficies conectadas a tierra: tuberías, radiadores, gamas y recintos del refrigerador.

Nunca abra la caja del pulsador en el motor. Esto debe ser necesario, póngase en contacto con un electricista calificado. Asegúrese de que los dedos no toquen los terminales metálicos del enchufe al enchufar o desenchufar el partidor.

**EVITAR QUEMADURAS:** Evite el contacto con el aceite caliente, los gases de escape y superficies calientes. No toque el motor o escape, estas partes se calientan mucho de funcionamiento y permanecen calientes durante un tiempo después de que la unidad está apagada. Deje que el motor se enfríe antes de realizar el mantenimiento o ajuste.

**MOTOR GASOLINA:** Siempre apague el motor antes de mover la máquina. No altere o ajustar cualquier parte de la máquina o del motor que está sellado por el fabricante o distribuidor. Compruebe siempre antes de su uso, según lo especificado en el manual del fabricante.

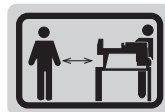


No cambie la configuración del regulador del motor o el exceso de velocidad del motor. El regulador controla la velocidad máxima segura de operación del motor. No haga funcionar el motor a alta velocidad cuando no está trabajando.

Símbolo de la máquina

### **MANTENGA ALEJADOS A LOS NIÑOS Y DEMÁS CIRCUNSTANTES:**

Todos los presentes deben llevar puestos anteojos de seguridad y permanecer a una distancia segura del área de trabajo. No permita que ninguno de los presentes toque la cortadora de troncos eléctrica o el cordón de extensión mientras esté funcionando la unidad.



### **INSPECCIONE SU TRONCOS:**

Asegúrese de que no haya clavos ni objetos extraños en los troncos que ser partido. Los extremos de los troncos deben cortarse cuadrada. Las ramas deben ser cortadas a ras del troncos.

### **NO SE ESTIRE DEMASIADO :**

Mantenga una postura firme y buen equilibrio en todo momento. El piso no debe ser resbaladizo. No se pare nunca en la cortadora de troncos. Pueden producirse lesiones serias si se vuelca la herramienta. No guarde nada encima o cerca de la cortadora de troncos donde cualquiera puede subirse a la herramienta para llegar a ellos.

**EVITAR LESIONES POR ACCIDENTE INESPERADO:** Siempre preste total atención al movimiento del empujador de troncos. No intente cargar la cortadora de troncos hasta que el empujador de troncos se ha detenido. Mantenga las manos fuera del camino de todas las piezas móviles.



### **PROTEJA SUS MANOS:**

Usted mantenga las manos lejos de las divisiones y las grietas que se abren en el registro, ya que pueden cerrar de repente y aplastar o amputar manos. No quite los troncos atascado con las manos.





WWW.FOREST-MASTER.COM

### **NO FUERCE LA CORTADORA DE TRONCOS:**

Lo spaccalegna funziona al meglio ed in modo oiu sicuro Lo hará un trabajo mejor y más seguro en su tasa de diseño. Nunca trate de dividir los registros superiores a los indicados en la tabla de especificaciones. Esto puede ser peligroso y puede dañar la máquina.

No utilice el partidor para un propósito para el cual no fue diseñado.

### **NUNCA DEJE LA MÁQUINA FUNCIONANDO DESATENDIDA:**

Nunca deje la máquina funcionando desatendida: no deje la máquina hasta que ha llegado a una parada completa.

### **DESCONECTE LA ENERGÍA ELÉCTRICA:**

Desconecte cuando no esté en uso, antes de realizar ajustes, cambiar piezas, limpieza, o trabajando en el partidor; Consulte el manual técnico antes de darle servicio.



### **PROTEGER EL MEDIO AMBIENTE:**

Tomar utiliza aceite para una recogida autorizado punto o seguir las estipulaciones en el país donde se utilice el partidor. No verter en desagües, suelo o agua.



### **MANTENER SU CORTADORA DE TRONCOS CON CUIDADO:**

Mantenga el partidor limpio para un rendimiento mejor y más seguro.

### **HAGA SU TALLER A PRUEBA DE NIÑOS:**

Bloquear la tienda. Desconecte los interruptores maestros. Guarde el cortadora de troncos alejado de los niños y otras personas no calificadas para usarlo.

Las advertencias, precauciones e instrucciones que se hace referencia en este manual no pueden cubrir todas las condiciones y situaciones posibles que puedan ocurrir. Debe entenderse que el sentido común y la precaución deben ser aplicadas por el operador cuando se utiliza el separador de registro.

Símbolo de la máquina





## CONDIZIONI PER L'USO

Questo spaccalegna è un modello adatto ad un uso non professionale. E' progettato per poter funzionare a temperature comprese tra +5°C e 40°C e per essere installato ad altitudini che non siano superiori a 1000m sopra il livello del mare. L'umidità circostante non deve essere inferiore al 50% a 40°C. Lo spaccalegna può essere riposto o trasportato in presenza di temperature comprese tra -25°C e 55°C.

## REQUISITI ELETTRICI

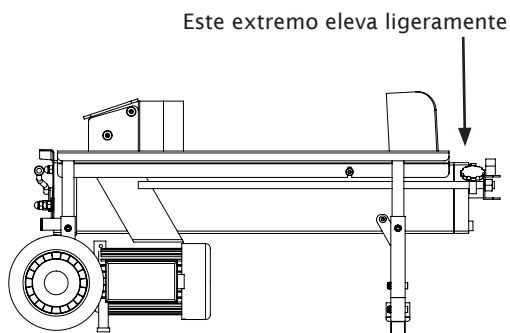
Collegare il cavo di alimentazione ad un rifornimento elettrico standard 230V+/-10% (50Hz+/-1Hz) che sia dotato di dispositivi di protezione di sotto-voltaggio, sovra-voltaggio, sovra-corrente, così come di un dispositivo di corrente residua (RCD) con un livello massimo di corrente residua pari a 0.03A.

Questo apparecchio è dotato di una spina di alimentazione elettrica UK 3 pin e viene fornito con un adattatore 2 pin per l'uso, se necessario. NON rimuovere il tappo rete elettrica a 3 pin e montare un pin 2 spina di alimentazione elettrica.

## POSICIONAMIENTO DE CORTADORA DE TRONCOS

El separador de registro debe colocarse nivel o preferentemente posicionado con el final, donde la cuña fija es, ligeramente levantada. Una diferencia de más de 5 mm de la longitud del separador de registro es suficiente.

No debe ser posicionada con la cuña fija extremo inferior de la empuñadura extremo operativo ya que esto puede limitar el flujo de aceite a la bomba.

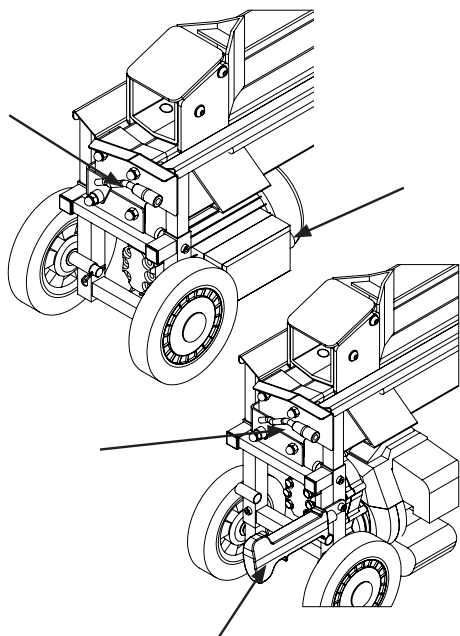
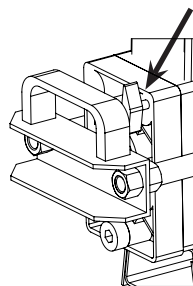




WWW.FOREST-MASTER.COM

## TORNILLO DE PURGA DE AIRE

Antes de operar el partidor, el tornillo de purga debe flexibilizarse unas pocas giros, que el aire puede fluir suavemente entrando y saliendo del tanque de aceite. El flujo de aire a través del orificio del tornillo de purga debe ser detectable durante la operación de registro divisor. Antes de mover el partidor, asegúrese de que se aprieta el tornillo de purga para evitar derrame desde este punto de aceite.



## OPERACIÓN DE DOS MANOS

Este separador de registro está equipada con un sistema de control que requiere el funcionamiento de ambas manos del usuario - Una mano controla la palanca de control hidráulico, mientras que la otra parte controla el interruptor de botón o el control del acelerador. El separador de registro se congelará en ausencia de cualquier mano. Sólo después de ambas manos liberan los controles, será el empujador de troncos comenzar a volver hacia atrás a la posición inicial.

Para dividir un tronco, pulse y mantenga pulsado el botón para iniciar el motor eléctrico (o el acelerador para que el motor de gasolina) y luego mover la palanca para hacer avanzar el ariete.

Nunca mueva la palanca antes de pulsar el botón o el acelerador.



**IMPORTANTE:** fracaso para aflojar el tornillo de purga de aire se mantendrá de aire sellada en el sistema hidráulico, que se comprime y se descomprime. Tal compresión de aire continua y descompresión tendrán sopla las juntas del sistema hidráulico y causar daños permant a la cortadora de troncos



La fuerza de división y la velocidad se rigen por la palanca de control de 2 etapas. Empujar la palanca hacia la 1er posición (a mitad de camino) le da mayor velocidad y menos fuerza para dividir la troncos más suaves. Empujar a la segunda posición le da la fuerza máxima a una velocidad más lenta para dividir duro y la troncos seco. Las etapas se pueden cambiarse simplemente levantar y bajar la palanca.

### **MOTOR DE GASOLINA (FM16P)**

El motor de gasolina se suministra sin combustible. Antes de usar, llenar el depósito de combustible como se especifica en el manual de los fabricantes de motores, incluidos por separado.

Tenga en cuenta que la FM16P se puede suministrar con un motor de 2 tiempos o 4 tiempos, consulte el manual del fabricante del motor (incluido por separado), para comprobar qué tipo usted tiene. Si usted no tiene el manual del fabricante del motor, póngase en contacto Bosque Maestro. Arranque el motor siguiendo el procedimiento indicado en el manual del fabricante del motor.

### **LUBRIQUE LA CAMA DE SOPORTE DE TRONCO**

Algunos tipos de madera pueden contener una gran cantidad de savia que en ocasiones puede adherirse a la superficie de trabajo del cortadora de troncos. Esto puede causar que el separador de plástico debajo de la cuchilla o empujador en movimiento, a pegarse a la superficie de trabajo, haciendo que la hoja tirón y, posiblemente, tirando el espaciador de distancia por debajo de la cuchilla.

Para evitar que esto ocurra, se recomienda lubricar la superficie de trabajo del cortadora de troncos antes del primer uso y periódicamente después. Si el separador de plástico se vuelve a sacó de debajo de la hoja o de empuje, no utilice el separador de registro hasta que el espaciador se ha reinstalado.



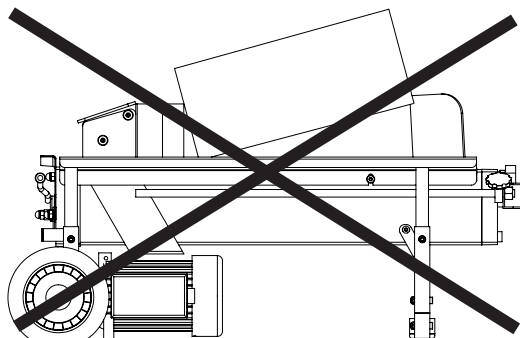
**ADVERTENCIA: No utilice nunca la máquina sin el espaciador de plástico provisto debajo de la cuchilla.**



WWW.FOREST-MASTER.COM

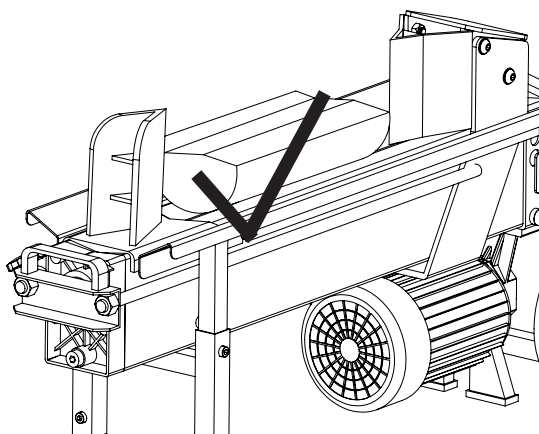
## Funcionamiento

Ponga siempre troncos firmemente en placas de retención de troncos y tabla de trabajo. Asegúrese de que los troncos no tendrán tuerza, rock o deslizarse mientras se está dividiendo. No fuerce la cuchilla mediante la división de los troncos en la parte superior. Esto romperá la hoja o dañará la máquina.



Romper de tronco en la dirección de su grano creciente. No coloque de tronco a través de la astilladora para partir. Puede ser peligroso y puede dañar la máquina. No intente dividir 2 pedazos de tronco al mismo tiempo, uno de ellos puede volar y pegarte.

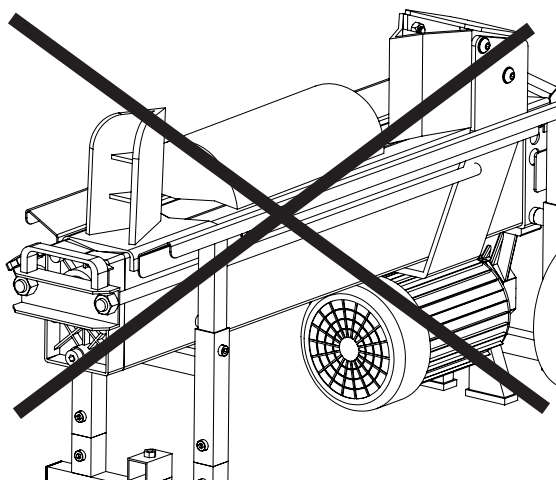
Si la división de un tronco que ya se ha dividido, coloque siempre el tronco de manera que la cara de división es superior y la corteza cubierta la cara externa del tronco está en contra de la cama del cortadora de troncos.



**IMPORTANTE:** No intente dividir un tronco a través del grano.



NUNCA coloque un tronco compartido con la cara dividida o caras contra la cama del cortadora de troncos, ya que esto puede causar que el tronco se atasque contra las guías tronco, ya que divide, doblando con ello y, posiblemente, rompiendo las guías de troncos y, posiblemente, el cuerpo del Cortadora de Troncos.



Después de 5 segundos de operación, se se sobrecalienta el aceite presurizado y la máquina podría sufrir daños. En el caso de un troncos extremadamente duro, girarla 90 ° (alrededor del eje central del troncos) para ver si se puede dividir en una dirección diferente. En cualquier caso, si no eres capaz de dividir el tronco, esto significa que su dureza supera la capacidad de la máquina y por lo tanto debe ser descartado ese tronco para proteger el partidor.

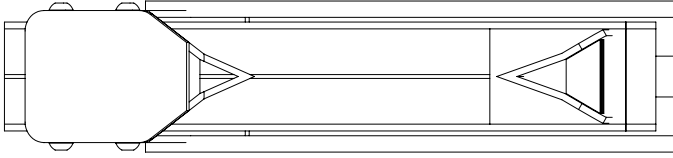


**ADVERTENCIA:** Nunca coloque la cara dividida o caras de un tronco, en la cama del cortadora de troncos.

**IMPORTANTE:** Nunca mantenga presión sobre un tronco de más de 5 segundos forzarlo a partir de madera muy dura.



## COMPROBACIÓN DE LA ALINEACIÓN DUOCUT CUCHILA

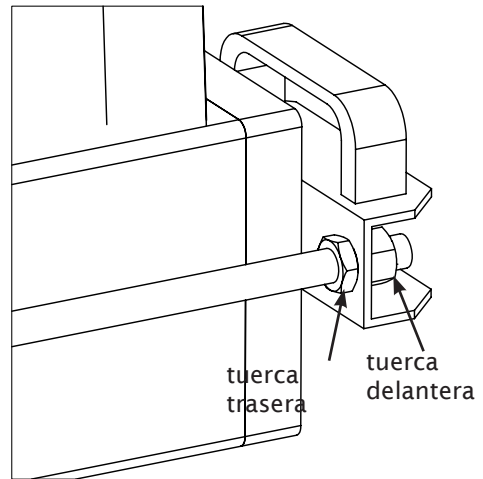


Antes de la división de cualquier troncos, la alineación de la cuchila Duocut se debe comprobar y ajustar si es necesario. La cuchila Duocut debe apuntar a lo largo de la línea central de la cama divisor y alinee con el borde de la cuchilla fijo.

Para ajustar la alineación de la hoja Duocut, apretar o aflojar las tuercas en el extremo delantero de la cada uno de los brazos de la cuna para aumentar o disminuir su tensión.

Para aumentar la tensión, gire la tuerca trasera antihorario para aflojarla luego girar la parte delantera hacia la derecha para apretar la tuerca.

Para disminuir la tensión, gire la tuerca delantera en sentido antihorario para aflojarla luego gire la tuerca trasera hacia la derecha para apretarlo.



## El mantenimiento de la cuchilla móvil en uso

Bajo la mayoría de las condiciones, la cortadora de troncos no tendrá un problema si las cuchillas se encuentran con un nudo en la madera. La cuchilla que se encuentra con el nudo simplemente dejará de división y el divisor continuará la división con la otra cuchilla.

Sin embargo hay una posibilidad de que, si los cuchilla entra en contacto en movimiento un nudo en un ángulo de poca profundidad a continuación, en lugar de la interrupción cuchilla en movimiento, la cuchilla móvil puede ser desviado lejos de la línea central de la máquina. En este caso, si continúa la división de la madera, los largos brazos del carro cuchilla en movimiento se pueden doblar fuera de la alineación.

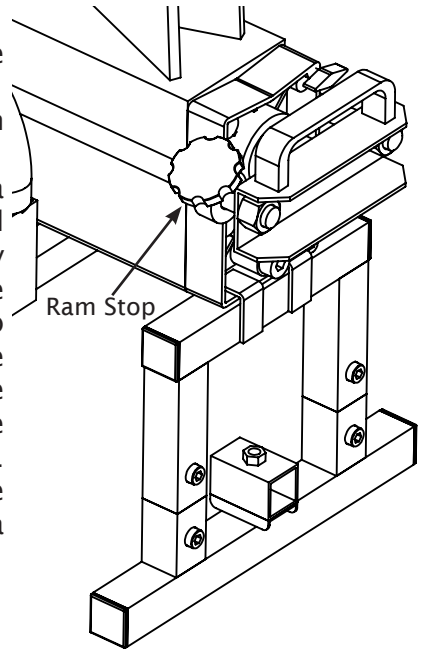
Cuando va a dividir troncos de leña le, por tanto, debe ver la cuchilla en movimiento y si usted observa la cuchilla se desvió lejos de la línea central del divisor, usted debe parar inmediatamente la división. Después de que la cuchilla ha vuelto a su posición de parada, se debe girar la madera a través de 90 grados alrededor del eje largo y tratar de dividir la madera una vez más.

Para minimizar la posibilidad de un nudo de desviación de la cuchilla, se recomienda colocar troncos que tienen un nudo visible, de modo que el nudo es vertical. Tenga en cuenta sin embargo, que, como se explica en la página 13, no se debe colocar un tronco con una cara dividida hacia el lecho del cortadora de troncos con el fin de posicionar un nudo verticalmente.



### RAM STOP

Afloje la perilla de la Ram Stop por lo que es libre de deslizarse sobre la barra. Operar el partidor para mover el pistón hacia adelante hasta la longitud deseada. Sosteniendo la palanca en su lugar para asegurar que la ram no vuelve, coloque el Ram Stop contra el frente del separador y apriete utilizando la perilla. La Ram Stop se puede ajustar simplemente desenroscando el pomo y deslizamiento a lo largo de la barra de horquilla, el carnero puede necesitar mover adelante dependiendo de la longitud de troncos que desea dividir. La palanca de funcionamiento debe mantenerse en su lugar al desenroscar la Ram Stop o el carnero volverá.



**IMPORTANTE:** Asegúrese de que el motor se desconecta y sólo usar la palanca de funcionamiento para mantener el eje en posición cuando se ajusta el Ram Stop.

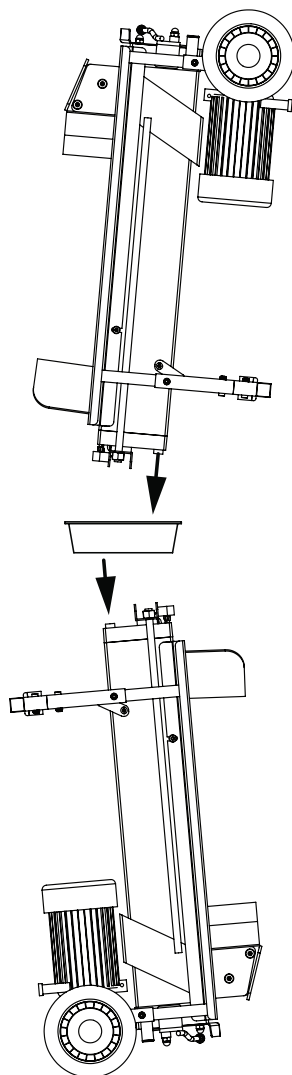




## SUSTITUCIÓN DEL ACEITE HIDRÁULICO

Reemplace el aceite hidráulico en el separador de troncos después de cada 150 horas de uso de la siguiente manera.

- Asegúrese de que todas las partes en movimiento se detiene y la cortadora de troncos está desenchufado.
- Aflojar el perno de drenaje de aceite y retirarlo junto con la varilla.
- Gire la cortadora de troncos en el extremo de la pierna de apoyo sobre un recipiente de 8 litros de capacidad para drenar el aceite hidráulico fuera.
- Gire la cortadora de troncos en el extremo del motor.
- Vuelva a llenar con aceite hidráulico nuevo al volumen determinado para un determinado modelo en la tabla de especificaciones técnicas.
- Limpie la superficie de la varilla de Limpie la varilla de nivel conectado al perno de drenaje de aceite y vuelva a colocarlo en el depósito de aceite, manteniendo la cortadora de troncos vertical.
- Asegúrese de que el nivel del aceite es sólo entre 2 surcos alrededor de la varilla.
- Limpie las roscas de perno de drenaje de aceite antes de volver a insertarla. Asegúrese de que se aprieta para evitar la fuga antes de colocar el horizontal cortadora de troncos



Compruebe periódicamente el nivel de aceite para asegurarse de que está entre los 2 surcos alrededor de la varilla. Cuando el nivel de aceite llegue a la ranura inferior, se requiere el relleno de aceite. Recomendamos el uso de ISO fluido hidráulico 46 grado, a veces etiquetado como # 46 aceite de grado.



## **AFILADO DE LA CUÑA**

Después de usar la cortadora de troncos durante algún tiempo puede ser necesario afilar la cuña. Con una lima de diente fino, file y alise todas las rebabas y melladuras presentes a lo largo del filo.

## **CARRO MÓVIL**

Cuando el nuevo, puede observarse que de vez en cuando el carro en movimiento es lento para devolver o no vuelve totalmente cuando los controles se liberan. Esto es debido a la estrecha ajuste necesario entre el separador de plástico que se coloca por debajo y por los lados de la hoja de empuje o Duocut. Con el uso de este separador se gastará de manera que el carro devuelve correctamente.

Si después de usar el separador de registro por un tiempo, el carro sigue siendo lento para volver o no vuelve completamente, siga el procedimiento siguiente.

Acuéstese el divisor en un lado y quite los dos tornillos que sujetan el empujador / cuchilla de ese lado. Retire las arandelas desde el exterior del carro y colocarlas entre el carraige y el empujador / cuchilla. Si es difícil de conseguir las arandelas de entonces la brecha se puede abrir con un destornillador de punta plana.

Pruebe el separador de registro y si el carro todavía no regresaba correctamente, repita el procedimiento con los pernos en el lado opuesto.

Tenga en cuenta que cuando el separador de plástico finalmente ha camas en, se recomienda para volver las arandelas a la posición exterior.

## **MOTOR DE GASOLINA**

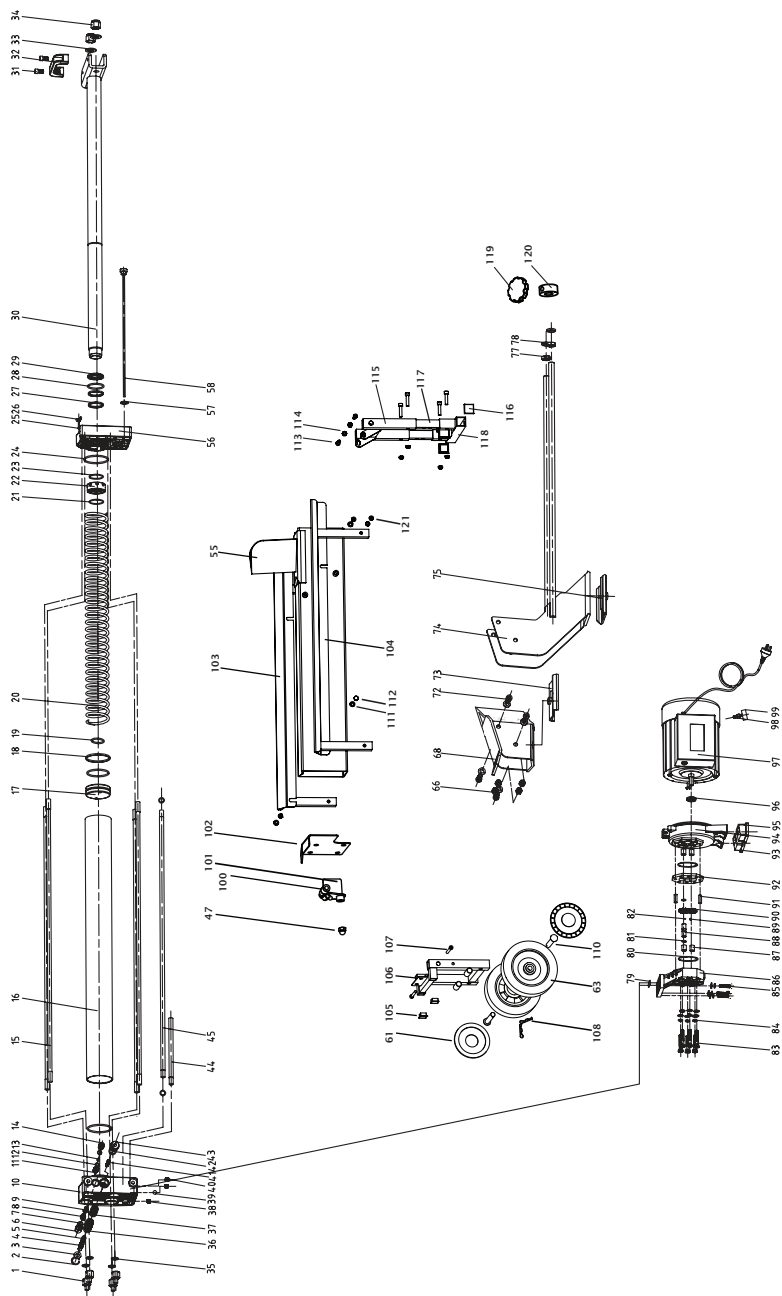
Para el mantenimiento y la solución de problemas del motor de gasolina, consulte el manual del fabricante incluye por separado.



PROBLEMA	CAUSA PROBABLE	REMEDIO
No se parten los troncos	Troncos se coloca incorrectamente	Consulte la sección "Operación" para la carga de tronco correcto
	Los tamaños o dureza del tronco excede la capacidad de la máquina	Reducir el tamaño del tronco antes de partirlo en el partidor
	Cuña de filo es embotada	Consulte la sección "afilado de la cuña"
	Fugas de aceite	Localizar fugas y comuníquese con el distribuidor
	Baja presión causada por el ajuste no autorizado del Max. Presión Limitar Tornillo.	Comuníquese con el distribuidor
	La obstrucción parcial de las vías de petróleo de la bomba.	Gire el Cortadora de Troncos al revés. Afloje los 3 tornillos que sujetan la bomba en los bajos de la placa trasera. Compruebe las maneras de aceite en la bomba y la placa final en busca de signos de una obstrucción.  Comuníquese con el distribuidor
El empujador de tronco se mueve bruscamente, haciendo ruido desconocido o vibra mucho	Falta de aceite hidráulico y de aire excesiva en el sistema hidráulico	Compruebe el nivel de aceite para rellenar de aceite posible  Comuníquese con el distribuidor
Aceite fugas alrededor ram cilindro o desde otros puntos	Aire sellado en el sistema hidráulico durante la operación	Afloje el tornillo de purga de 3 ~ 4 rotaciones antes de operar el partidor
	Sangrar tornillo no está apretado antes de mover el partidor	Apriete el tornillo de purga antes de mover el partidor
	Perno de drenaje de aceite con varilla no está apretado	Apriete el tornillo de drenaje de aceite con varilla
	Hidráulica conjunto de válvula de Control y / o sello usado	Comuníquese con el distribuidor



Vista explosionada





<b>Pieza</b>	<b>Descripción</b>
1	Nut
2	Snap Washer
3	Washer 10x2
4	Valve Rod
5	O-ring 8.75x1.8
6	Safety Valve Spring Base
7	O-ring 11.2x2.65
8	Safety Valve Spring
9	Safety Valve Core
10	Cylinder Cover Rear
11	Safety Valve Core
12	O-ring 10.6x1.8
13	Sfty Valve Core Adjust Spring
14	Adjusting Spring Base
15	Stud
16	Cylinder
17	Piston
18	Piston Ring
19	O-ring 35.5x3.55
20	Restoring Spring
21	Circlip
22	Snap Washer
23	O-ring 38.7x2.65
24	O-ring 64.4x3.1
25	O-ring 7x1.9
26	Bleed Screw M5x12
27	Wear Resisting Belt
28	O-ring
29	Piston Seal

<b>Pieza</b>	<b>Descripción</b>
30	Piston Rod
31	Hex Bolt M8x20
32	Handle
33	Washer 16
34	Nut M16
35	Copper Washer 12
36	Valve Rod
37	O-ring 17x1.8
38	Screw M10x8
39	Steel Ball 8.5
40	Screw M10x8
41	Valve Rod Restore Spring
42	O-ring 16x2.65
43	Valve Base
44	Intake Hose
45	Connection Hose
47	Lever Nut
55	Tube Frame
56	Cylinder Cover Front
57	Dipstick Washer
58	Dipstick
61	Wheel Cover
63	Wheel
66	Nut M10
68	Duocut Blade
72	Hex Bolt M10x30
73	Plastic Insert Upper
74	Moving Carriage
75	Plastic Insert Lower



<b>Pieza</b>	<b>Descripción</b>
76	Support Leg
77	Thin Nut M16
78	Spring Washer 16
79	O-ring 10.6x2.65
80	O-ring 46.2x1.8
81	Gear Shaft Snap Washer
82	Steel Ball 2.5
83	Bolt M8x30
84	Spring Washer 8
85	Bolt M8x30
86	Pump Cover
87	Sleeve Bearing
88	Gear Shaft
89	Pin 2.5x4
90	Gear
91	Pin 8x24
92	Gear Housing Plate
93	Motor Support Shoe Left
94	Motor Cover
95	Motor Support Shoe Right
96	Seal
97	Motor Assembly
100	Lever Knob
101	Operating Lever
102	Lever Guard
103	Log Guide Rail Left
104	Log Guide Rail Right
105	Plastic End Cap
106	Rear Leg Mount

<b>Pieza</b>	<b>Descripción</b>
107	M8 x 60 Bolt
108	R-Clip
110	Axle
111	M8 Washer
112	M8 x 10 Bolt
113	M8 x 35 Bolt
114	M8 Nut
115	Front Leg Mount
116	Plastic End Cap
117	Front Leg Small Joiner
118	Front Foot
119	Ram Stop Hand Wheel
120	Ram Stop Collar
121	M8 x 25 Bolt



## Garantía

Este producto tiene una garantía de un (1) año de garantía limitada contra defectos de fabricación y materiales. Si este producto resulta con defectos dentro del período de garantía establecido, devuélvalo a la tienda con una prueba de compra, y será reemplazado o reparado sin cargo alguno.

**IMPORTANTE: NO SE ACEPTA RESPONSABILIDAD PARA USO INCORRECTO DE ESTE PRODUCTO. MODIFICACIÓN DE ESTE PRODUCTO (A MENOS QUE DICHA MODIFICACIÓN SE HA AUTORIZADO POR MAESTRO DEL BOSQUE) ANULARÁ LA GARANTÍA.**

### Esta garantía no cubre:

1. Cualquier parte que se ha vuelto inoperante debido a mal uso, abuso, negligencia, accidente, mantenimiento inapropiado o alteración
2. La unidad, si no ha sido operada y / o mantenido de acuerdo con el manual del propietario
3. El desgaste normal
4. Routine maintenance items such as lubricants, blade sharpening, etc.
5. El deterioro normal del acabado exterior debido al uso o exposición

### Gastos de envío:

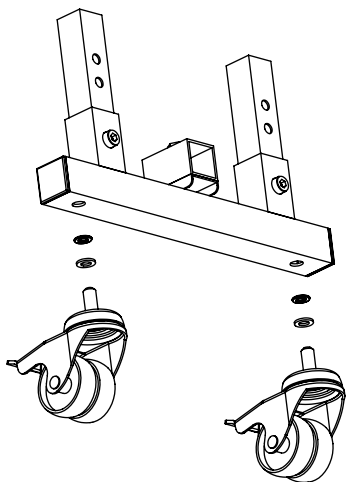
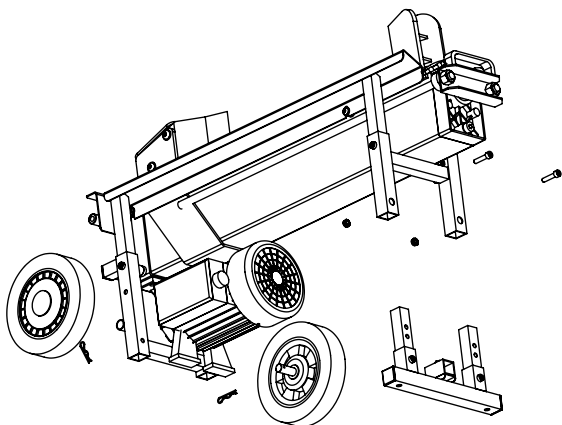
Gastos de envío para la entrega o recogida de la unidad, las partes de la unidad o los archivos adjuntos a la unidad son la responsabilidad del comprador. El comprador debe pagar los gastos de transporte de cualquier pieza presentada para reemplazo bajo esta garantía a menos que dicha devolución se solicita por Forest Master.



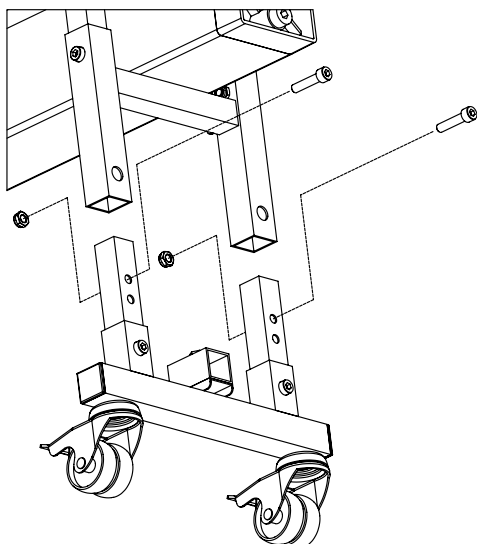
## 16MW Soporte

Retire el R-clips de los ejes trasero y quitar cada conjunto de rueda / eje de las piernas. retener a los R-clips.

Retire los pernos superiores que llevan a cabo las patas delanteras y las piernas para montaje en la pata delantera y extraiga el conjunto del pie delantero. Mantenga las tuercas y los pernos, ya que se pueden utilizar en el montaje.



Tornillo de los echadores en el pie delantero. Asegúrese de que una arandela plana y una arandela elástica se coloca entre cada rueda y el pie.

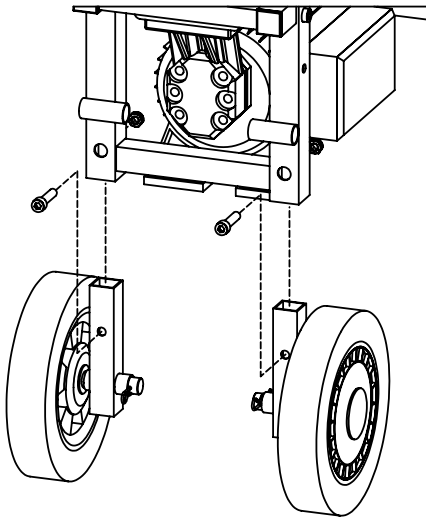
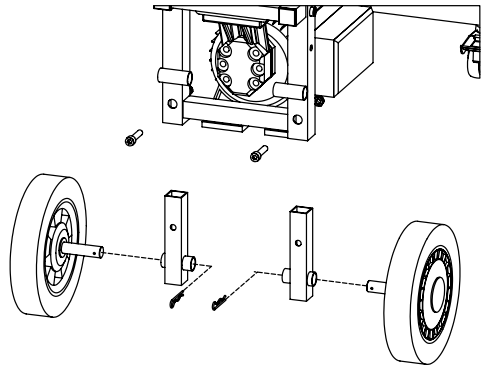


Unirse al conjunto de los pies a la pata delantera de montaje (utilizando las tuercas y pernos existentes). El perno debe pasar a través de la parte superior de los dos agujeros en cada una de las piernas, como se muestra.

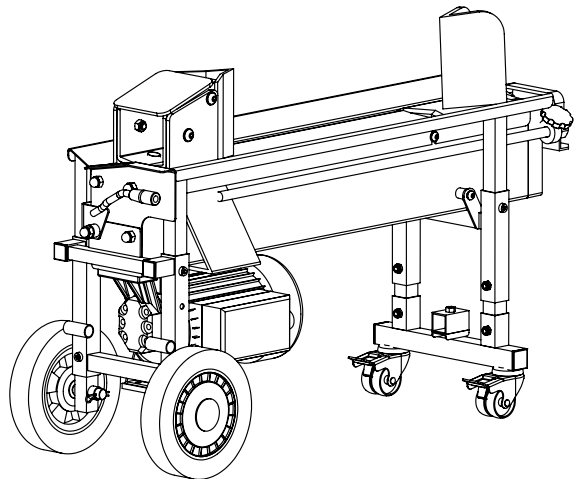




Coloque cada conjunto de rueda / eje trasero para una pata trasera corta usando los clips R existentes.



Acople los conjuntos de patas / ruedas traseras de la pata trasera de montaje con los tornillos M8x35 y tuercas M8 suministrados

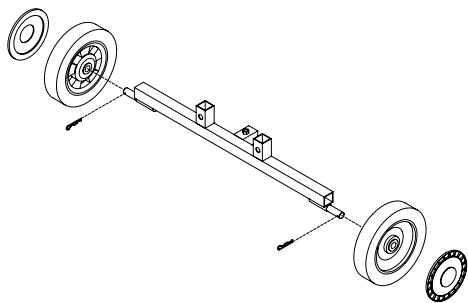
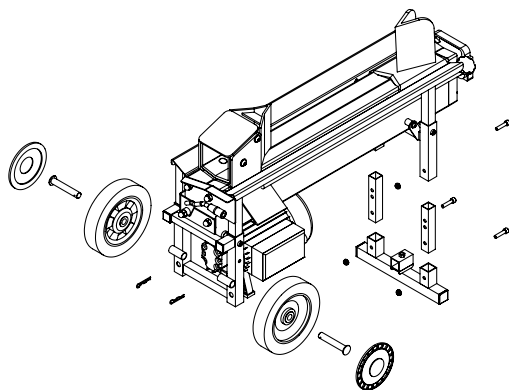




### 16TW Supporto

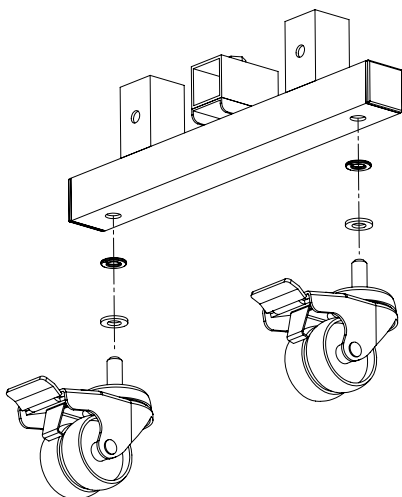
Retirar el centro tapas de las ruedas traseras, eliminar los clips R (retener) de los extremos de los ejes, retire los ejes y las ruedas.

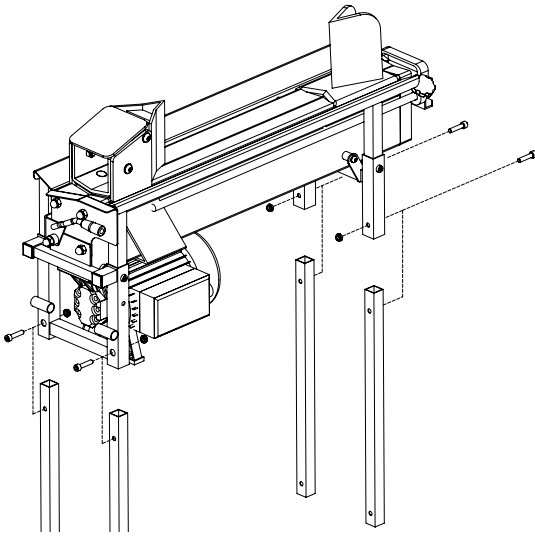
Retire los tornillos que sujetan el pie delantero para las pequeñas patas delanteras y quitar el pie. Retirar los tornillos que sujetan las patas delanteras cortas a la pata delantera montar y quitar las piernas. Asegúrese que mantiene todas las tuercas y pernos.



Coloque las ruedas en los ejes cortos sobre la viga transversal de la rueda y fijarlos con los R-clips. Montar el centro cubre a las ruedas.

Tornillo de los echadores en el pie delantero. Asegúrese de que una arandela plana y una arandela elástica se coloca entre cada rueda y el pie.



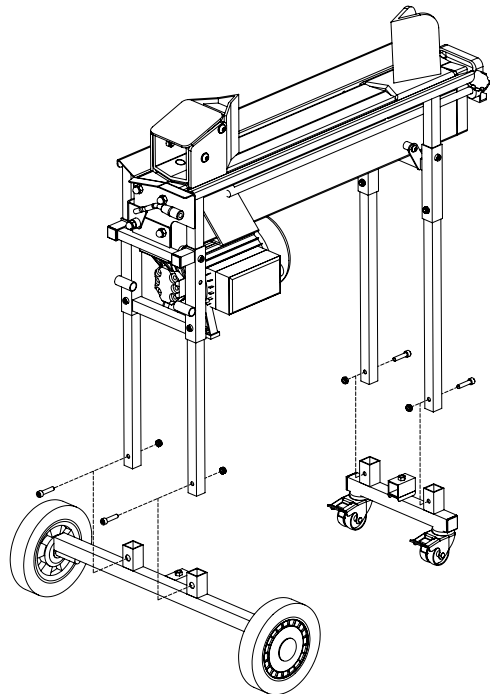


Conectar las patas traseras largas a la pata trasera montaje mediante los tornillos M8x35 y tuercas M8 suministrados.

Conectar las largas patas delanteras de la pata delantera de montaje usando dos de las tuercas y dos de los tornillos que retiró en el primer paso.

Conectar la unidad de rueda trasera de las piernas traseras usando tornillos M8x35 y tuercas M8.

Conectar el conjunto de la rueda delantera a las patas delanteras utilizando los dos tornillos M8 restantes y tuercas M8 desde el primer paso.





Deslice la barra longitudinal, a través de la guía en el conjunto de soporte delantero y en el zócalo de la viga transversal de la rueda trasera. Fijarla en su lugar con los dos tornillos hexagonales suministrados.

El soporte 16TW también se puede utilizar con la versión de gasolina FM16P del separador de registro.

