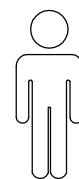
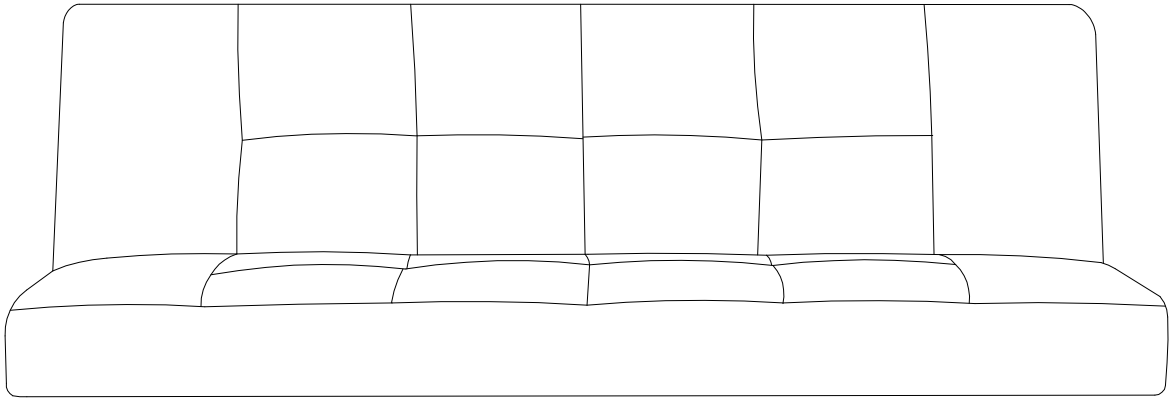


15'



1

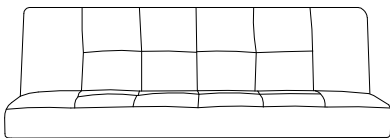
A



B x 4



A

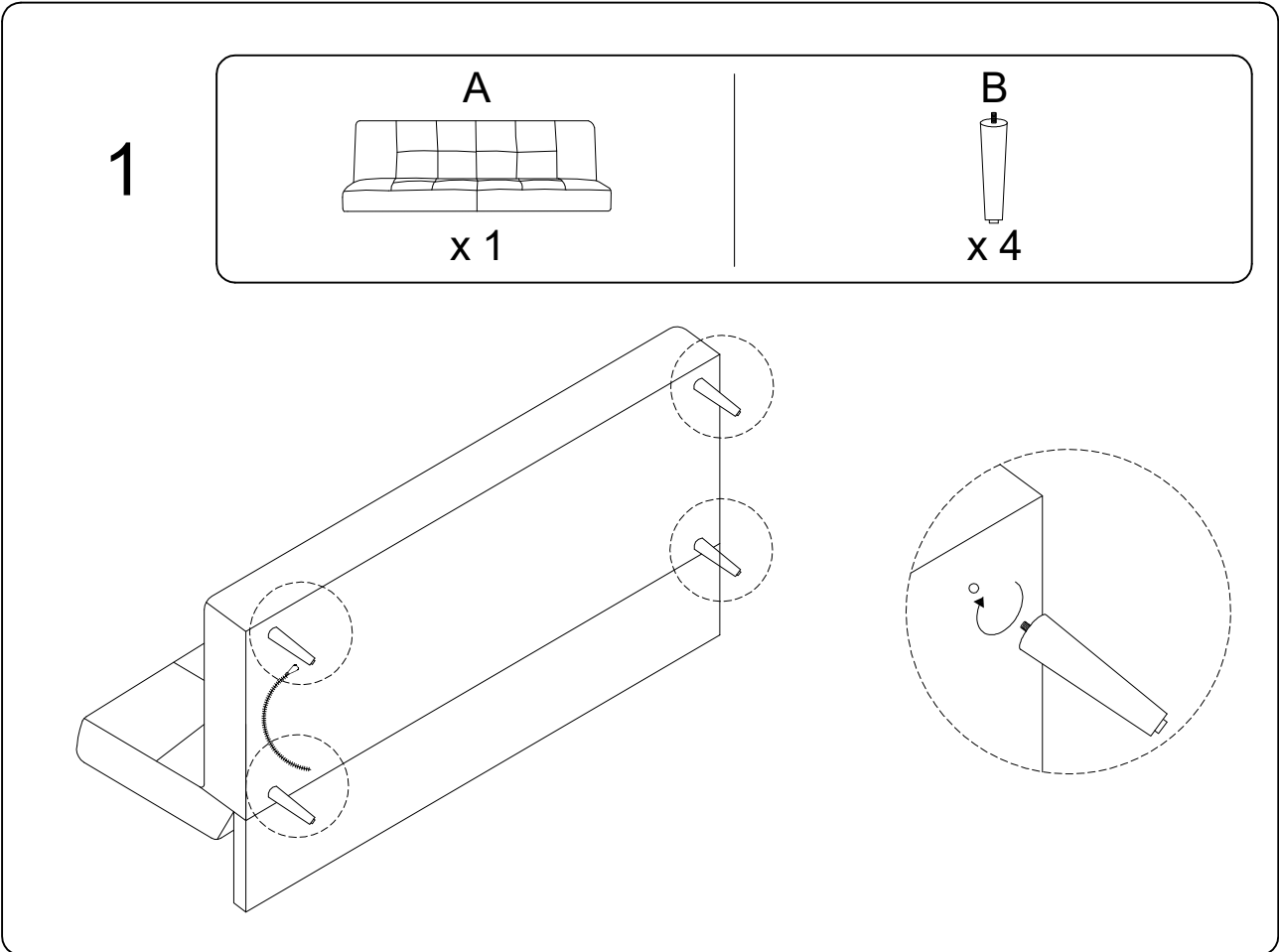
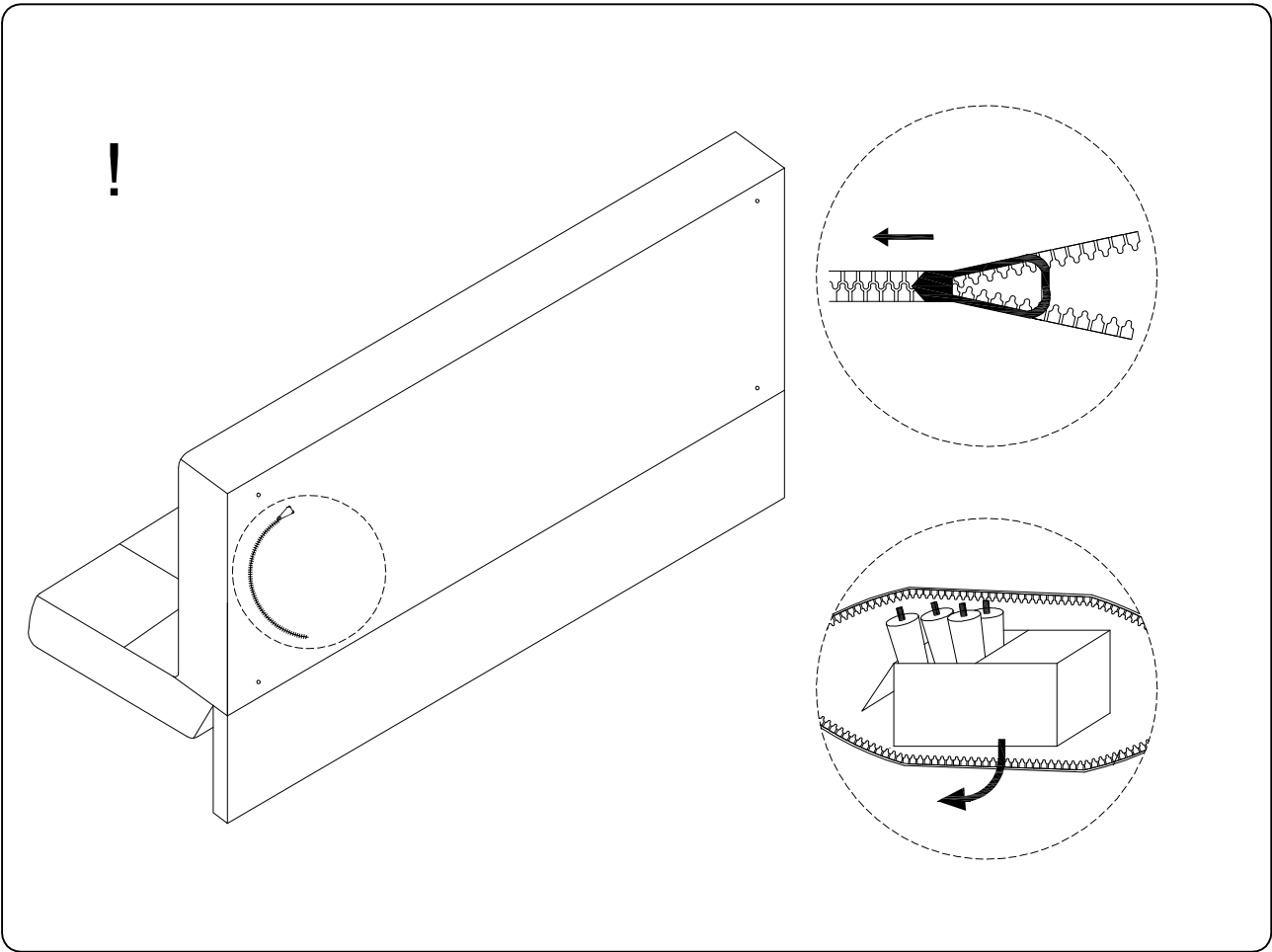


x 1

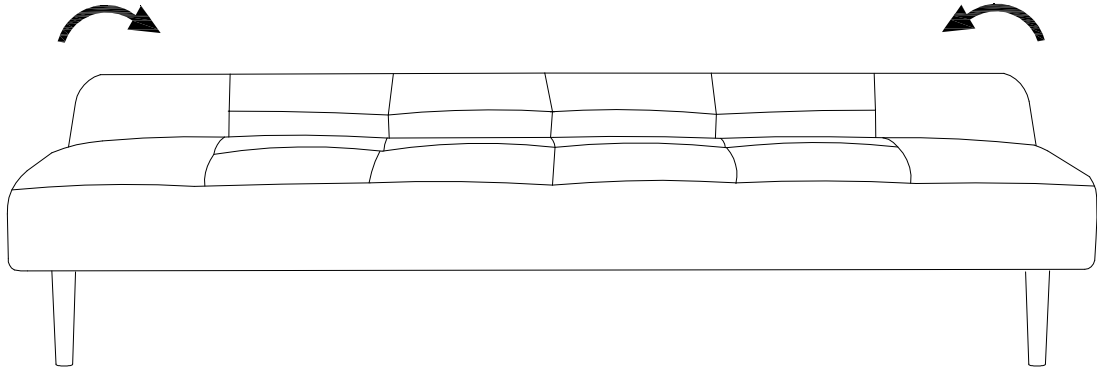
B



x 4



!



!

