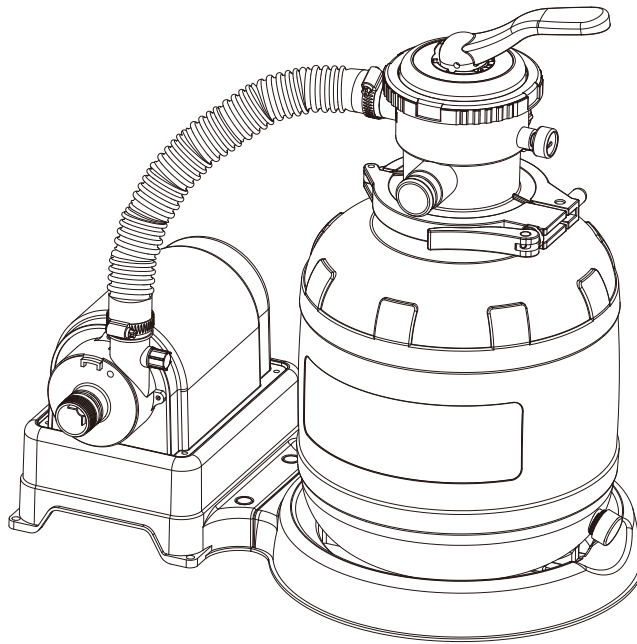


SUMMER WAVES® SAND FILTER PUMP

FOR ABOVE GROUND SWIMMING POOLS

ST1100 (10") / ST1600 (12") models



READ, AND KEEP THESE INSTRUCTIONS FOR FUTURE REFERENCE

Should you encounter a problem with your Polygroup® Product, please do not return the product to the place of purchase. All Warranty claims must be made directly to Polygroup®. Prior to contacting Customer Service, please first review the Troubleshooting Guide in the Installation Manual, or review the FAQ at www.Polygroup.com. Please review setup instruction videos on www.Polygroup.com/video. If you are still unable to correct the problem, please contact Polygroup® Customer Service at Appendix . Have the product type and your purchase receipt ready. Our Customer Service Representative will assist you in resolving the problem. You may be asked to return all or part of the product for inspection and/or repair. Do not return any product to Polygroup® without a Return Authorization number.

LIMITED WARRANTY

Polygroup® Limited (Macao Commercial Offshore), (hereinafter "Polygroup®") warrants to the original purchaser only, the Sand Filter Pump against defects in material and workmanship for 180 days from the date of purchase. Original Purchaser must retain proof of such purchase in the form of an original store sales receipt and must produce such upon request by Polygroup® or its designated agents. Warranty claims cannot be processed without a valid proof of purchase. This Limited Warranty applies only to the original purchaser of the product and is limited solely to the repair or replacement of the product, to be decided in Polygroup®'s sole discretion. Consequential damages, including claims for loss of water, pool chemicals, damage, or labor are not covered under this Limited Warranty.

This Warranty will be declared invalid should the Purchaser modify or repair the product themselves or by unauthorized persons; use non-Polygroup® parts or accessories with the product; use the product in contravention of the manufacturer's Instructions; use improper voltage; abuse the product in any way; or through accident or negligence. Normal wear-and-tear is not covered under this Warranty, nor are acts of God outside the control of Polygroup®.

IN NO EVENT SHALL Polygroup®, THEIR AUTHORIZED AGENTS, RELATED ENTITIES, OR EMPLOYEES BE LIABLE TO THE BUYER OR ANY OTHER PARTY FOR DIRECT OR CONSEQUENTIAL DAMAGES. Some states or countries, or others jurisdictions do not allow the exclusion or limitation of incidental or consequential damages, so the above limitation or exclusion may not apply to you.

TABLE OF CONTENTS

Warnings	3 ~ 6
Save These Instructions & Sand Pump Power Information & Part List	7 ~ 8
Setup Instructions & Operation Instruction	9 ~ 13
Operating Instructions	14
Pump Motor Protection & Pump Maintenance	15
Pool Water Care	15
Troubleshooting Guide	16
Replacement Parts Ordering Information	17
Winterising, Disassembly & Storage	17
Customer Services Contact	18

IMPORTANT SAFETY INSTRUCTIONS

When installing and using this electrical equipment, basic safety precautions should always be followed, including the following:

READ AND FOLLOW ALL INSTRUCTIONS

Keep for Future Reference. Failure to follow these warnings and instructions can result in serious injury or death to users, especially children.



⚠ DANGER	
PREVENT DROWNING	NO DIVING! NO JUMPING!
Watch children at all times. Observe all Safety Rules.	Shallow Water - You can be permanently injured.

⚠ WARNING	
DO NOT SIT ON OR LAY OVER POOL WALL	AVOID ENTRAPMENT
You can be permanently injured.	Stay away from suction fittings. You may drown.

NOTICE: CUSTOMERS THAT PURCHASE POOLS MAY BE REQUIRED BY LOCAL OR STATE LAW TO INCUR ADDITIONAL EXPENSES WHEN INSTALLING A POOL, IN ORDER TO COMPLY WITH STATE OR LOCAL LAWS REGARDING FENCING AND OTHER SAFETY REQUIREMENTS. CUSTOMERS SHOULD CONTACT THEIR LOCAL BUILDING CODE ENFORCEMENT OFFICE FOR FURTHER DETAILS.



Please read carefully and keep for future reference

⚠ WARNING

Safety Care for Children

The safety of your children is your own responsibility

1. Children, especially children younger than five years, are at high risk of drowning.
2. Keep children in your direct sight, stay close, and actively supervise them when they are in or near this pool and when you are filling and emptying this pool.
3. When searching for a missing child, check the pool first, even if the child is thought to be in the house.
4. Locate pumps and filters in such a way that children cannot climb on them and gain access to the pool.
5. **WARNING:** To reduce the risk of injury, do not permit children to use this product unless they are closely supervised at all times.
6. Do not allow children who cannot swim into the water without a life jacket or vest or when unaccompanied.
7. Designate one person to take responsibility for safety.
8. Be extra vigilant when several people are using the pool at the same time.
9. Teach your children to swim as soon as possible.
10. Store water treatment products out of the reach of children.

Swimming Pool Barriers

Very Important: Swimming pool barriers, which restrict access to the pool by small children, may be required by law. A barrier is necessary to provide protection against potential drowning and near drowning. Barriers are not a substitute for constant supervision of children. Check state or local laws and codes before setting up pool.

Swimming Pool Equipment

1. Keep all electrical lines, radios, speakers, and other electrical appliances away from the pool.
2. Do not place pool near or under overhead electrical lines.

Filter Pump Awareness

1. **WARNING!** Following the pool manufacturer's instructions and install your pool properly before installing this filter pump.
2. **WARNING!** Adult assembly required.
3. **WARNING!** Before starting, check all pipes and accessories for correct installation and reliable connection.
4. **WARNING!** Do not bury the electric cords. Place the cords where lawn mowers, hedge trimmers and other equipment will not damage them.
5. **WARNING!** Do not use an extension cord to connect unit to electric supply.
6. **WARNING!** Prevent children from using the filter pump without an adult's supervision.
7. **WARNING!** Do not use the filter pump when pool is empty. This pump is designed only for dismount able storable pools above the ground, not for permanently

- installed pools. Improper use may lead to overheating and permanent damage of the product.
8. **WARNING!** To avoid the risk of electric shock, always be aware of damaged cords.
 9. **WARNING!** The power cord cannot be replaced. If the cord is damaged, the filter pump should be disposed of.
 10. **WARNING!** To avoid the risk of electric shock, connect the filter pump only to a receptacle protected by Residual-current device (RCD). The pump must be supplied through residual current device (RCD) having a rated residual operating current not exceeding 30 mA. Contact a qualified electrician if you cannot verify that the receptacle is RCD protected. Use a qualified electrician to install the RCD.
 11. **WARNING!** This appliance can be used by children aged from 8 years and above and persons with reduced physical, sensory or mental capabilities or lack of experience and knowledge if they have been given supervision or instruction concerning use of the appliance in a safe way and understand the hazards involved. Children shall not play with the appliance. Cleaning and user maintenance shall not be made by children without supervision.
 12. **WARNING!** Children should be supervised to ensure that they do not play with the appliance.
 13. **WARNING!** Filter system can be used as many hours as desired, but NEVER when the pool is occupied.
 14. **WARNING!** Pollution of the liquid could occur due to leakage of lubricants.
 15. **CAUTION:** This pump is for use with storable pools only. Do not use with permanently-installed pools. A storable pool is constructed so that it is capable of being readily disassembled for storage and reassembled to its original integrity. A permanently-installed pool is constructed in or on the ground or in a building such that it cannot be readily disassembled for storage.
 16. **CAUTION:** For continued protection against possible electric shock this unit is to be mounted to the base in accordance with the installation instructions.
 17. The Filter Pump is to be assembled by an adult; care should be taken in the unpacking and assembly of the Filter Pump, this pool may contain accessible potentially hazardous sharp edges or sharp points that are a necessary part of the function of the Filter Pump.
 18. If a drain or suction outlet cover is missing or broken, do not use the pool. Suction can cause body part entrapment, hair and jewelry entanglement, evisceration, or drowning. Repair or replace the drain or suction outlet cover before allowing the pool to be used. During nighttime pool use, artificial lighting shall be used to illuminate all safety signs, ladders, steps, deck surfaces, and walks.
 19. The floor of the pool shall be visible at all times from the outside perimeter of the pool.
 20. Post a list of emergency telephone numbers such as the nearest available police, fire, ambulance, and/or rescue unit. These numbers are to be kept near the telephone, which is closest to the pool and ladder.
 21. Basic lifesaving equipment, including one of the following should be on hand at all times:
 - A light, strong, rigid pole (shepherds crook) not less than twelve feet (12') [366cm] long.
 - A minimum one-fourth inch (1/4") [6.35 mm] diameter rope as long as one and one half (1-1/2) times the maximum width of the pool or fifty feet (50') [15.24 meters], whichever is less, which has been firmly attached to a Coast Guard-approved ring buoy having an outside diameter of approximately fifteen inches (15") [38.1 cm], or similarly approved flotation device.
 22. Warning. Only for domestic use.
 23. Children can drown in very small amounts of water. Empty the pool when not in use.
 24. Do not install the paddling pool over concrete, asphalt or any other hard surface.
 25. Place the product on a level surface at least 2 m from any structure or obstruction such as a fence, garage, house, overhanging branches, laundry lines or electrical wires.
 26. The product must be assembled/disassembled by adult.
 27. A weekly check is recommended for backwashing or cleaning.
 28. It is essential to check that the suction openings are not obstructed.
 29. It is advisable to stop the filtration during maintenance operations on the filtration system.
 30. Regularly monitor the filter clogging level.
 31. It is essential to change any damaged element or set of elements as soon as possible. Use only parts approved by the person responsible for placing the product on the market.
 32. **DO NOT** overfill the pool and/or allow anyone to lie over or lean on the inflated ring. This will cause the wall of the pool to collapse! Drain the pool to the correct water level after heavy rain.
 33. **NOTE:** DO NOT attempt to assemble this pool when the temperature is below 16°C (60°F).
 34. **NOTE:** This pool can be disassembled and stored away, a procedure which should be carried out when temperatures are expected to fall below 4°C (39°F).
 35. **NOTE:** DO NOT use the pump when people are in the pool.
 36. **DO NOT CONCEAL THE CORD:** Locate the cord away from lawn mowers, brushcutters and other garden equipment.
 37. **CAUTION:** To reduce the risk of electrocution, do not use extension cords to connect the device to the mains supply; provide a suitably located outlet.
 38. **IMPORTANT NOTE:** If you do not use the pump with an electric power supply, you risk damaging the pump or causing an accident.
 39. **DO NOT REMOVE THE EARTH PIN, DO NOT MODIFY THE PLUG, DO NOT USE AN ADAPTER:** Contact a qualified electrician for any problems associated with the earthing of your plugs.
 40. Handle the pump with care. Avoid dragging or carrying the pump by its electric cord. Never remove the plug by pulling on the electric cord. The electric cord must be intact. Never expose the pump filter to sharp objects, oil, moving parts or heat.
 41. **NOTE:** Place the pump on a secure, level base. Check that the location of the pool and the pump are sufficiently ventilated, that the water can be drained correctly and that there is sufficient access for cleaning. Never place the pump in a location where water may gather or a high volume of people pass through. The pump must be positioned at least two metres from the pool.
 42. The pump's power plug must be located at least 3.5 metres from the pool.
 43. After installing the pool, the plug must be easily accessible.
 44. **NOTE:** The weather may compromise the performance and lifespan of your filter pump. If it is exposed to cold, direct sunlight, or heat, it may become unusable so you should protect it from the elements if possible. Before carrying out any maintenance or disassembly of the pump, do not forget to replace the waste filters with the blue inlet and outlet nozzle protectors fitted at the factory.
 45. **NOTE:** Do not operate the device for more than 15 hours per day.
 46. **NOTE:** Do not add any chemical products to the filter pump.
 47. It is essential to check that the inlet holes are not blocked.
 48. It is recommended that filtration is stopped while maintenance work is being carried out on the filter system.
 49. Do not allow the pool to be used if the filter system(s) is/are damaged.
 50. It is essential to change any damaged part or parts as soon as possible. Only use parts approved by the marketing authorisation holder.

51. Make sure that people who cannot swim use personal flotation devices.
52. Do not allow races or similar active games to take place around the pool.
53. Do not leave toys near or in the pool when unsupervised.
54. An electronic perimeter or immersion detector which is enabled and functioning. Please note that these devices are in no way intended to act as a substitute for close supervision.
55. NOTE: The maximum total dynamic head is as following.

Model	CP2000
Total head	8 m

Circulation Systems

1. Installers shall follow written instructions regarding positioning of all equipment connected to the circulation systems.
2. The installer shall follow written instructions provided for operating the circulation system components.
3. All circulation system components and pump that require replacement or servicing shall be installed according to the pump's instruction manual.
4. Circulation equipment shall be installed per manufacturer's instructions to provide proper mounting and support, to prevent damage from misalignment, settlement, and vibration, and to minimize the potential for the accumulation of debris and moisture. Please refer to pump's instruction manual.

Chemicals

For safety sake, ensure the deepest part of the pool is always visible. The user must properly maintain clarity of the pool water at all time. Check the pH and chlorine levels periodically, and make sure they are within the recommended limits. Additional water treatment chemicals might be needed from time to time. Have the water sample tested by a local pool supply store to determine if additional chemical is needed. Turn on the filter pump system for at least six hours per day. Clean and replace Sand frequently. Replace only with genuine Polygroup® / Summer Waves® Brand Sand tank. Refer to the Filter Pump manual for additional water care information.

Entrapment Risk

1. Entrapment Avoidance: There shall be no protrusions or other obstruction in the swimming area, which may cause entrapment or entanglement of the user. If a suction outlet cover is missing or broken, do not use the pool. Suction can cause body part entrapment, hair and jewelry entanglement, evisceration, or drowning. Repair or replace the suction outlet cover before allowing the pool to be used.
2. DANGER! TO AVOID SERIOUS INJURY OR DEATH, CLOSE THE POOL OR SPA TO BATHERS IF ANY SUCTION OUTLET COVER/GRATE IS MISSING, BROKEN, OR INOPERATIVE.
3. Never play or swim near drains or suction fittings. Your body or hair may be trapped causing permanent injury or drowning.
4. Never enter the pool or spa if a suction fitting or drain cover is loose, broken, or missing.
5. Immediately notify the pool/spa owner or operator if you find a drain cover loose, broken, or missing.

Drowning Risk

1. Keep unsupervised children from accessing the pool by installing fencing or other approved barriers around all sides of pool. State or local laws or codes may require fencing or other approved barriers. Check state or local laws and codes before setting up pool.
2. Toys, chairs, tables, or similar objects that a young child could climb shall be at least four feet (4') [121.92 cm] from the pool. The pump filter system shall be positioned so as to prevent it being used as a means of access to the pool by young children. Do not leave toys inside pool when finished using, since toys and similar items might attract a child to the pool.
3. Position furniture (for example: tables, chairs) away from pool and so that children cannot climb on it to gain access to the pool.

Electrocution Risk

1. Keep all electrical lines, radios, speakers, and other electrical appliances away from the pool.
2. Do not place pool near or under overhead electrical lines.

First Aid

1. Keep a working phone and a list of emergency numbers near the pool.
2. Become certified in cardiopulmonary resuscitation (CPR). In the event of an emergency, immediate use of CPR can make a lifesaving difference.
3. In the event of an accident:
 - Get the person out of the water as quickly as possible;
 - Immediately call the emergency services and follow the advice you are given;
 - Remove any wet clothing and wrap the person in a warm blanket.

Special Warning

1. Local building codes may require obtaining a building or electrical permit. Installer shall follow regulations on setback, barriers, devices, and other conditions.
2. DO NOT attempt to assemble this pool in adverse weather conditions, windy conditions, or when the temperature is below 16°C (60°F).
3. This is a storable filter pump, which should be disassembled and stored when temperatures are expected to fall below 0°C (32°F).

Extra Safety Warning

1. Adult supervision is always required.
2. Parents should learn CPR.
3. Keep all electrical radios, speakers, and other appliances away from the swimming pool.
4. When you touch the filter, pump, or electrical parts, be sure the ground under your feet is "Bone Dry."
5. Connect power cords to a 3-wire grounding-type outlet only.
6. Keep all breakable objects out of the pool area.
7. Alcohol consumption and pool activities do not mix. Never allow anyone to swim, dive, or slide under the influence of alcohol or drugs.
8. Severe electrical shock could result if you install your pump or filter on a deck. The pump or filter could fall into the water, causing severe shock or electrocution.

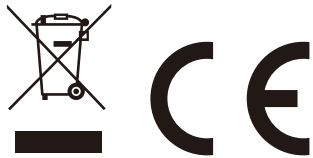
9. Do not install on a deck or other surface at, above, or slightly below the top rail of the pool.
10. Do not use the filter pump during severe weather conditions, i.e. electrical storms, tornadoes, etc.
11. Be aware of overhead power lines when vacuuming your pool or using a telescoping pole.
12. Check regularly for signs of wear or loose bolts that could make the deck unsafe.
13. Please contact pool site dealer or manufacturer for additional safety signs if deemed necessary.
14. For pool service, select a certified pool professional.
15. Learn life-saving techniques, in particular those which can be used on children.
16. The weather may compromise the performance and lifespan of your filter. If it is exposed to cold, direct sunlight, or heat, it may become unusable so you should protect it from the elements if possible.

ANY MAINTENANCE WORK TO AVOID RISK OF SERIOUS INJURY OR EVEN DEATH.

15. GENERAL INFORMATION: The pool must be stored away if temperature is expected to fall below 4°C (39°F).
16. All parts should be cleaned using mild soap and lukewarm water only. DO NOT use detergent or hot water.
17. Make sure that all parts are dry before storing them to prevent mildew from forming.
18. Store all parts in a dry, heated location where temperature does not fall below 4°C (39°F) or exceed 51°C (124°F).
19. Failure to follow the storage instructions could cause damage to your pool and void your warranty.
20. YOU MUST FOLLOW THE ASSEMBLY INSTRUCTIONS TO REASSEMBLE YOUR POOL FOR THE NEXT SEASON.
21. The site for the pool must be cleared and leveled.
22. Do not leave an above-ground pool outside when empty.

Installation recommendation

1. A weekly check is recommended for backwashing or cleaning.
2. It is essential to check that the suction openings are not obstructed.
3. It is advisable to stop the filtration during maintenance operations on the filtration system.
4. Regularly monitor the filter clogging level.
5. Minimum daily filtration operating time is 8 hours.



Processing of electric and electronic equipment at the end of their service life (applicable in member countries of the European Union and other European countries operating a selective waste collection system).

This symbol, affixed to the product or its packaging, indicates that the product must not be processed with household waste. It must be brought to an electric and electronic waste collection point for recycling and disposal. By ensuring the appropriate disposal of this product you also help in preventing potentially negative consequences for the environment and human health. The recycling of materials helps preserve our natural resources. For further information regarding the recycling of this product, please contact your municipality, local waste disposal centre or the store where the product was purchased.

Electrical product waste should not be discarded with household waste, use separate collection facilities.

Contact your local government or council for information regarding the collection systems available.

Maximum Water Temperature: 35 degree

SAVE THESE INSTRUCTIONS

Preliminary Steps:

1. READ ALL INSTRUCTIONS CAREFULLY and get a thorough understanding of what is required to assemble your ST series Filter Pump.
2. Before you begin to assemble the pool, identify, count, and check all parts needed for assembly.
3. It is recommended that you have some PETROLEUM JELLY on hand for lubricating the gaskets.
4. Installer shall follow written instructions provided for operation of the filter pump systems.
5. All electrical components shall be installed in accordance with Article 680 of the National Electrical Code (NEC) "Swimming Pools, Fountains and Similar Installations" or its latest approved edition.
6. The Pump are manufactured by Polygroup® and ETL control number 4000608 and 4006317 - double insulated and grounded - 220-240 V.A.C - 50Hz.

SAND PUMP POWER INFORMATION

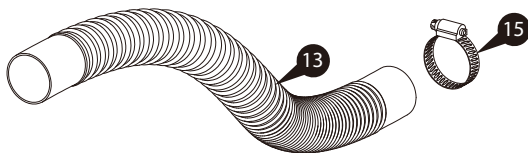
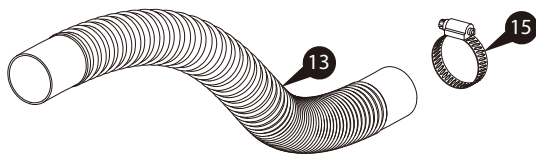
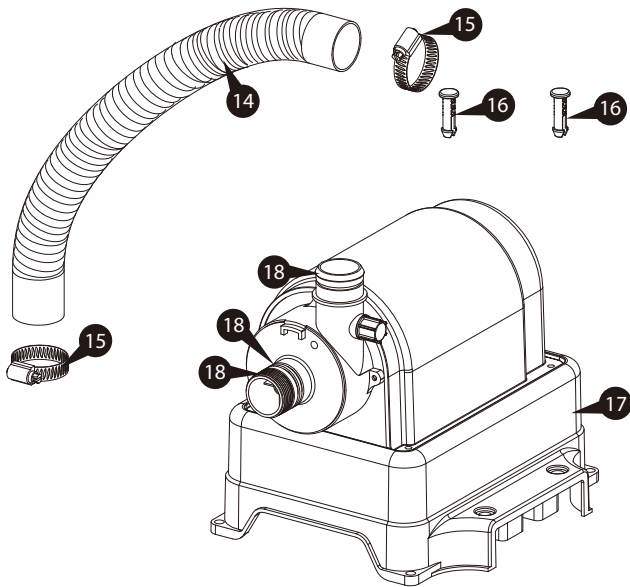
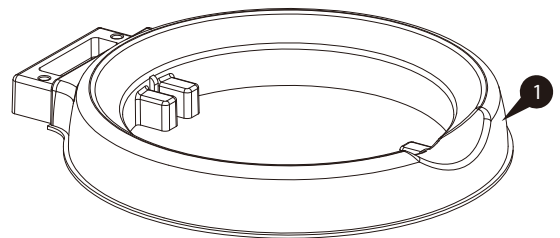
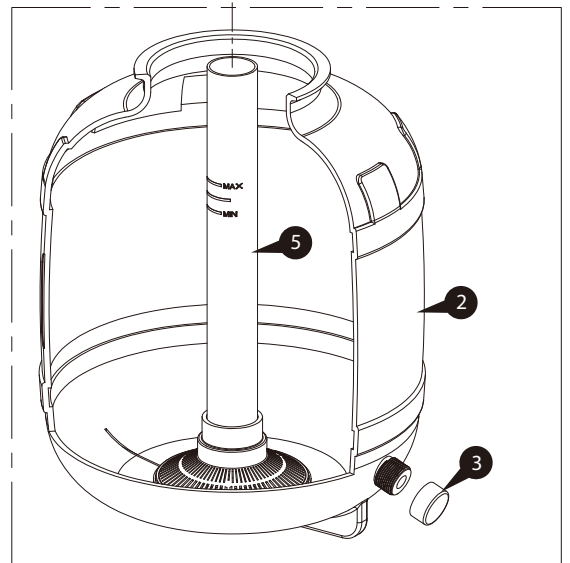
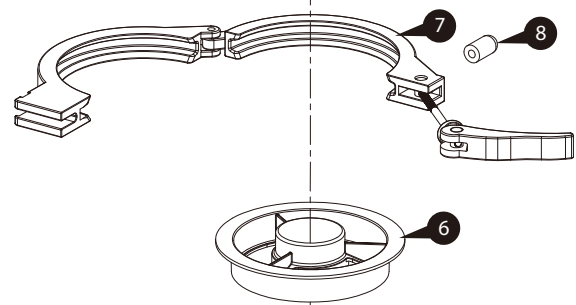
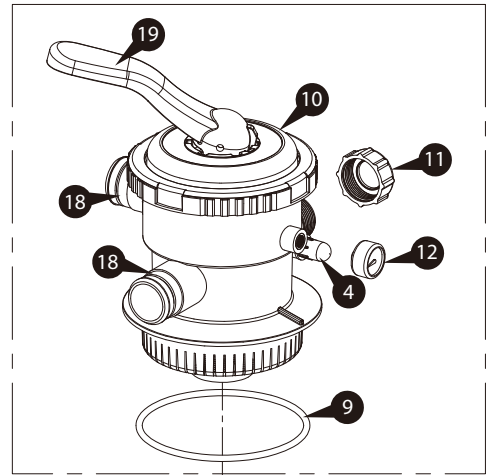
SAND PUMP MODEL	WATTAGE	AMPERAGE
10" SAND FILTER (WITH CP2000 PUMP)	200 watts	1.0 amps
12" SAND FILTER (WITH CP2000 PUMP)	200 watts	1.0 amps

PARTS LIST

ITEMS	PARTS NAME		QTY.	ITEMS	PARTS NAME		QTY.
1	Sand Tank Base	A) ST1100	1	10	6-Port Valve		1
		B) ST1600		11	6-Port Valve Drain Outlet Cap		1
2	Sand Tank	A) ST1100	1	12	Pressure Gauge		1
		B) ST1600		13	Long Hose		2
3	Drain Valve Cap		1	14	Short Hose	ST1100 14" Hose	1
4	6-Port Valve Drain Outlet Window		1			ST1600 12" Hose	
5	Center Pipe	A) ST1100	1	15	Hose Clamp		6
		B) ST1600		16	Locking Pin		2
6	Sand Guard		1	17	Pump		1
7	Clamp		1	18	1.5" Fitting O-Ring		5
8	CAM-SHAFT Bolt Cap		1	19	6-Port Valve Handle		1
9	6-Port Valve O-Ring		1				

Sand Specifications:

Fill the tank with #20 silica sand. You can purchase the sand from your local home improvement or building material store.

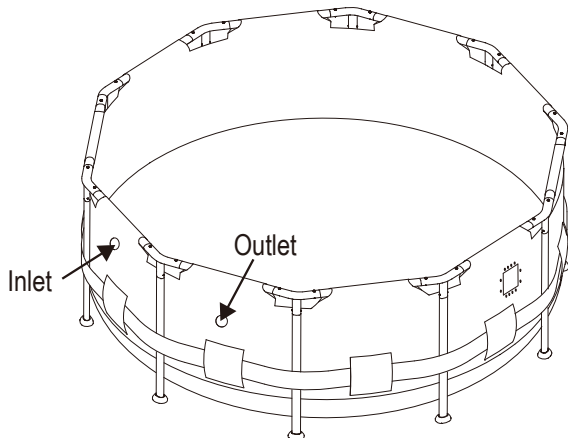


SETUP INSTRUCTIONS

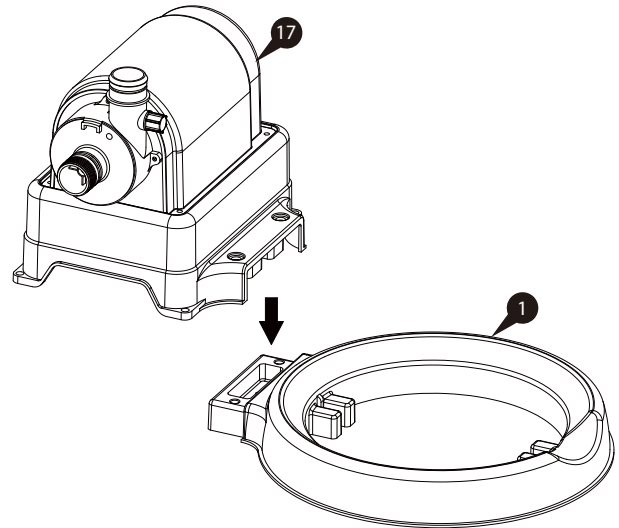
Before assembling your product, please take a few minutes to check the contents and become familiar with all the parts.

⚠ WARNING: POSITION THIS PRODUCT AWAY FROM THE POOL, SO AS TO PREVENT CHILDREN FROM CLIMBING ON IT AND ACCESSING THE POOL.

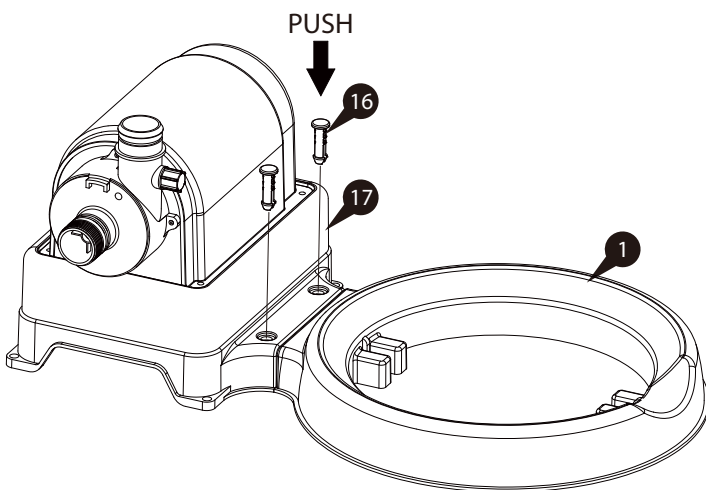
1. Set up the pool by following all instructions comes with the pool. Do not fill water until the Filter Pump is properly installed. Locate the Outlet and Inlet openings on the pool wall.



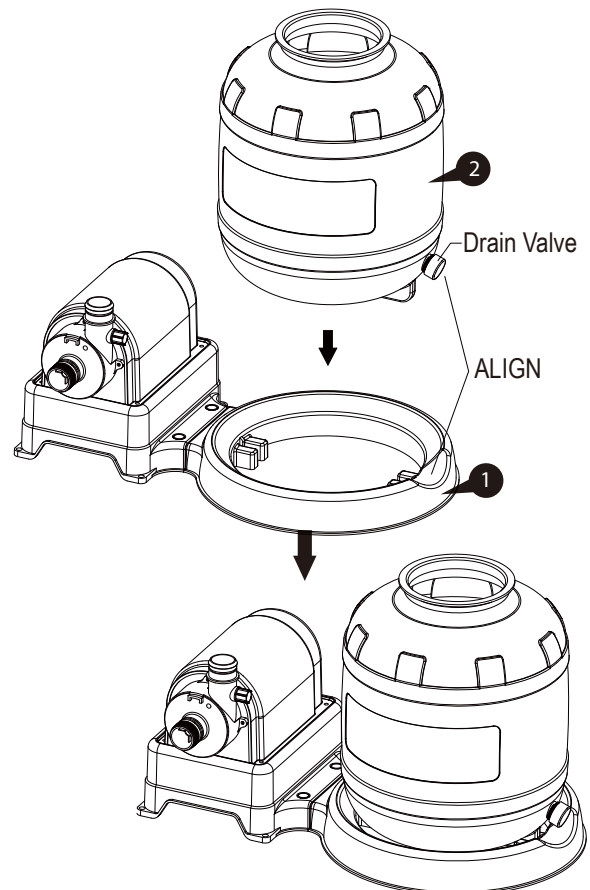
2. Snap the Pump **17** on to the Sand Tank Base **1**



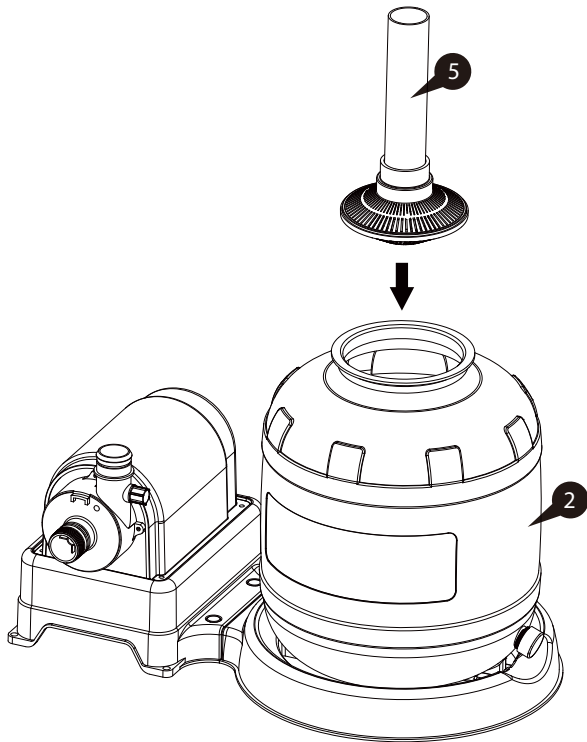
3. Insert and push the Locking Pins **16** all the way down to secure the Pump **17** with the Sand Tank Base **1**



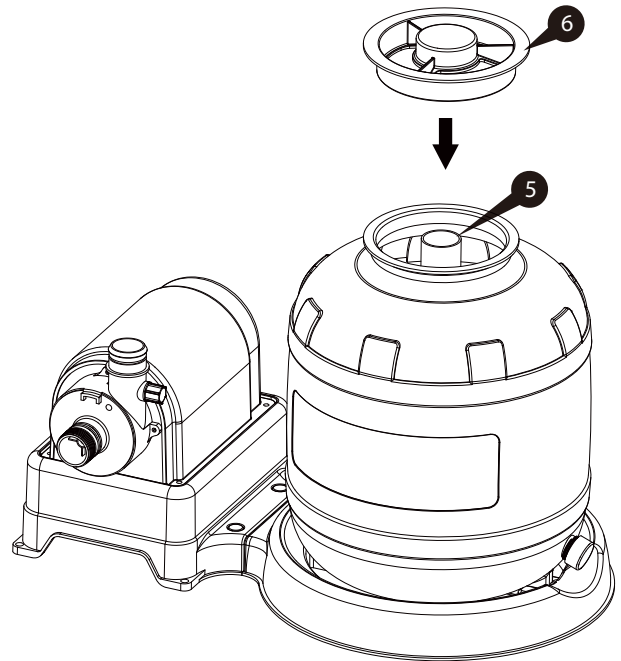
4. With the Drain Valve of the Sand Tank **2** pointing outward. Place the Sand Tank **2** on the Sand Tank Base **1**.



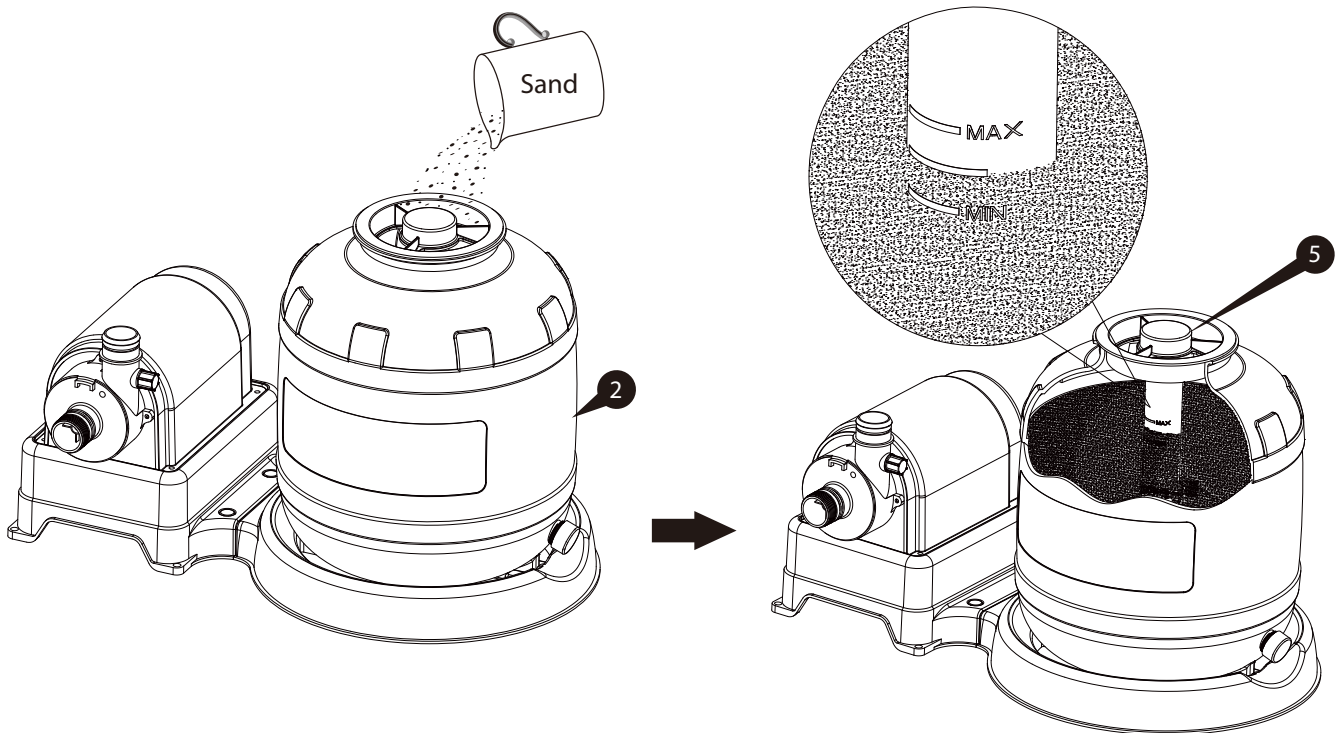
5. Put the Center Pipe **5** inside the Sand Tank **2**. Let the Center Pipe **5** seats at the center of the Sand Tank **2**.



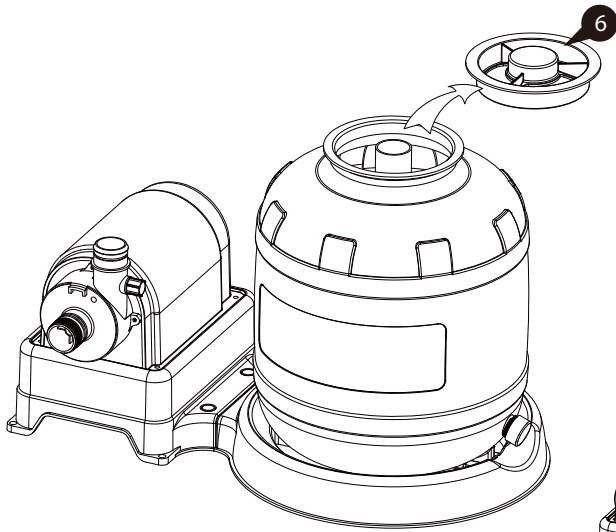
6. Attach the Sand Guard **6** to the top opening of the Center Pipe **5**.



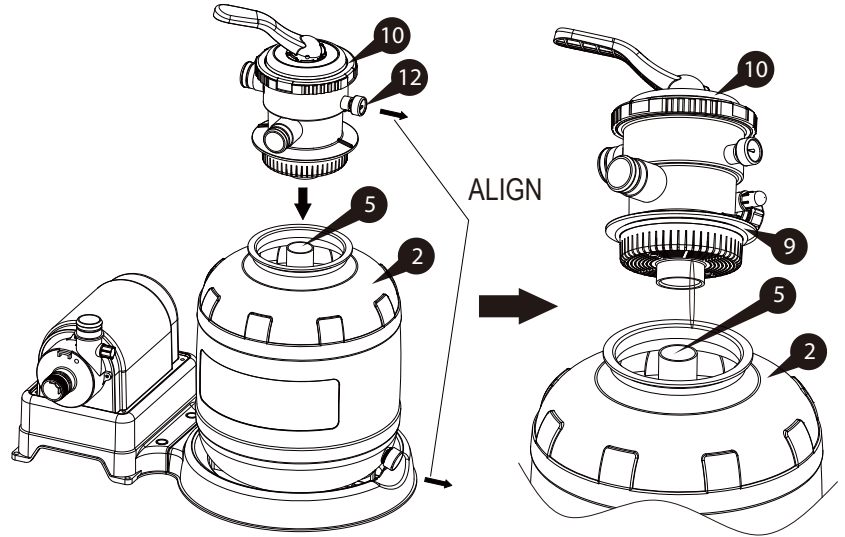
7. Fill the tank with #20 silica sand. You can purchase the sand from your local home improvement or building material store. Slowly pour sand into the Sand Tank **2** until the sand level is between the Min and Max marks on the Center Pipe **5**.



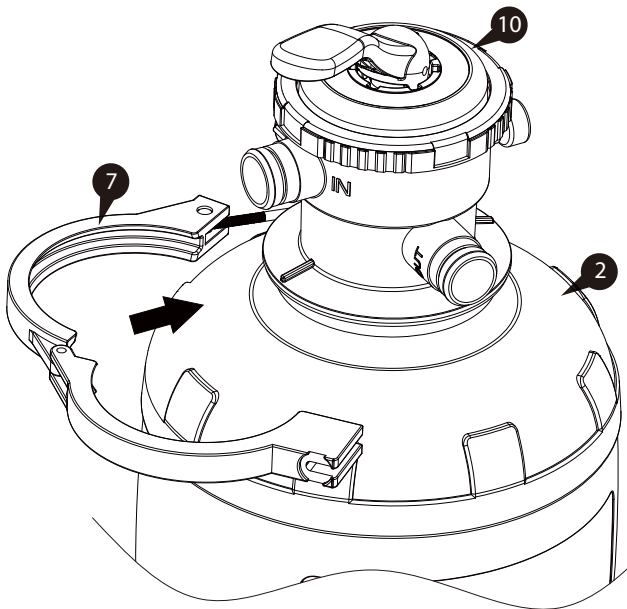
8. Remove the Sand Guard **6** and save for future use.



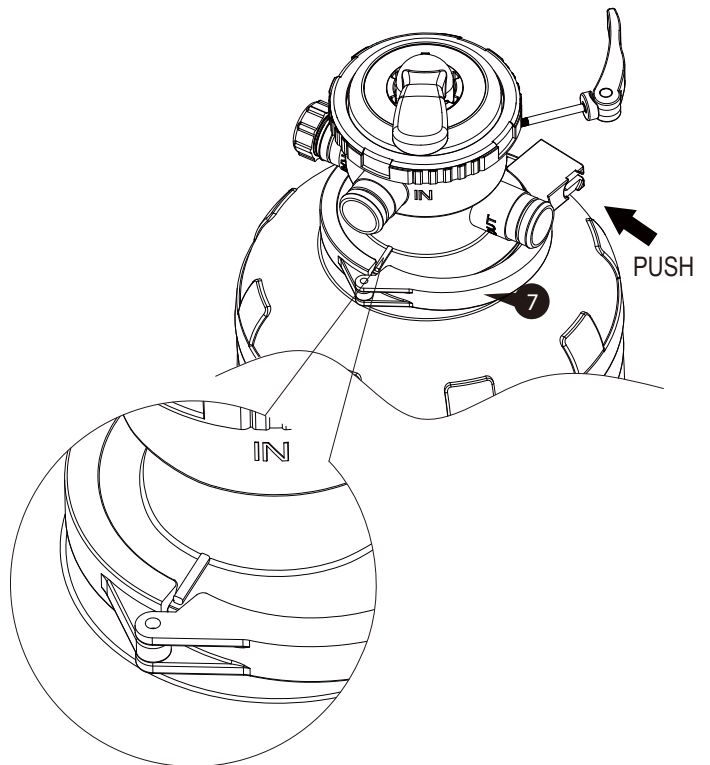
9. Place the 6-Port Valve **10** to the Sand Tank **2**. Make sure the 6-Port Valve O-Ring **9** is present at the bottom flange of the 6-Port Valve **10**. Make sure the center tube extending from the valve fits securely with the Center Pipe **5**. Rotate the 6-Port Valve **10** so that the Pressure Gauge **12** is facing the same direction as the Drain Valve.



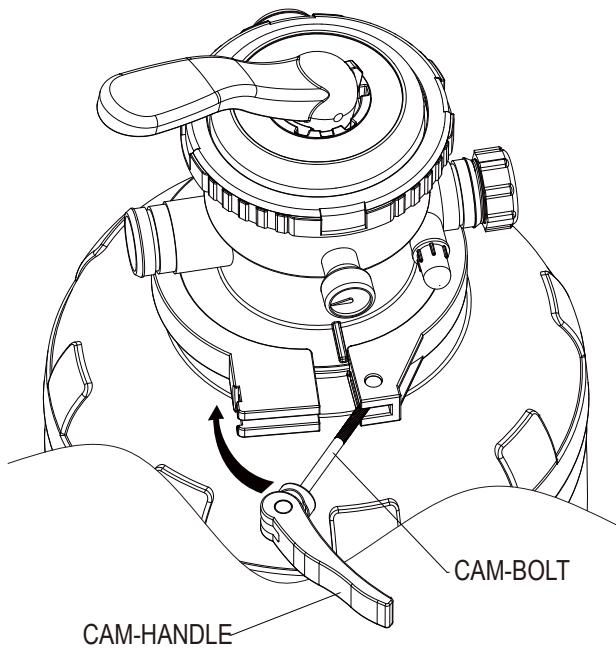
10. Apply the Clamp **7** to the flange of the 6-Port Valve **10** and Sand Tank **2**.



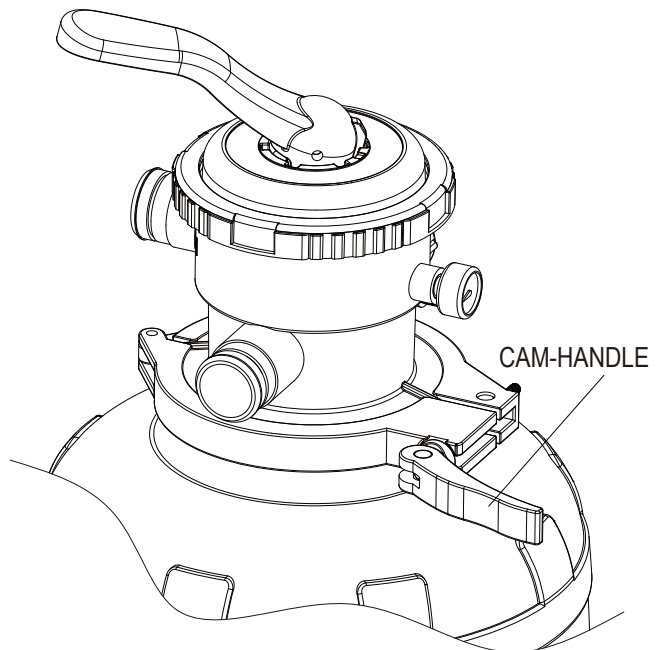
11. Close the Clamp **7** push the 2 jaws as close together as possible.



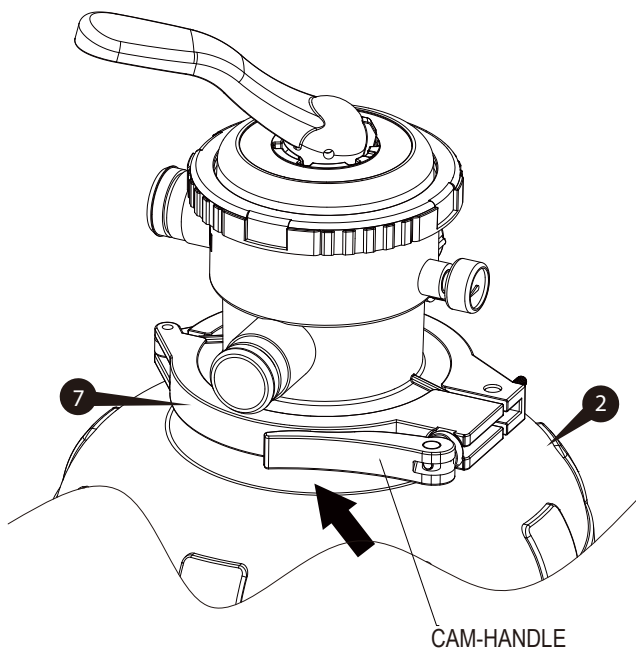
12. Turn the CAM-HANDLE so that the CAM-BOLT is inserted into the slot on the other jaw.



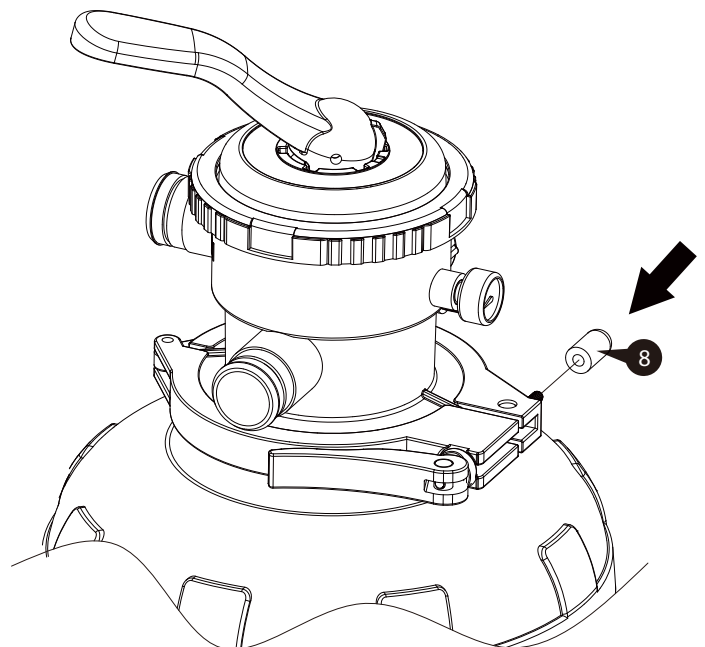
13. Hold the CAM-HANDLE with one hand and start turning in clockwise direction.



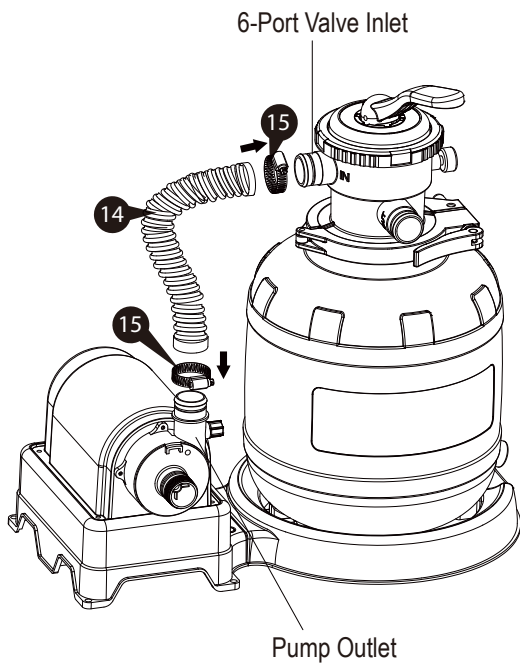
14. Continue to turn the CAM-HANDLE to tighten the jaw until no more turns can be made. Align the CAM-HANDLE with the Clamp 7 and push the CAM-HANDLE toward the Sand Tank 2.



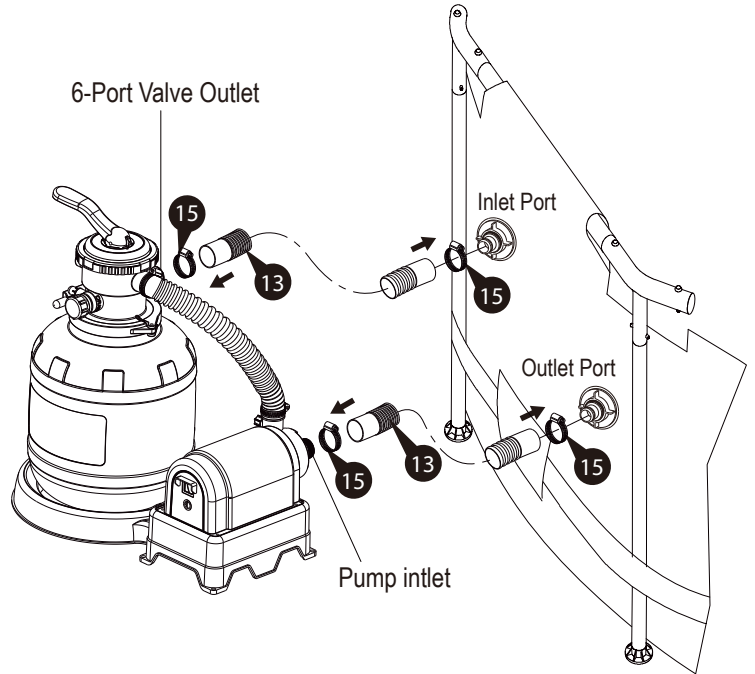
15. Insert the CAM-SHAFT Bolt Cap 8 to the end of the CAM-BOLT.



16. Connect the Short hose **14** between the Pump Outlet and the 6-Port Valve Inlet. Tighten the Hose Clamp **15** with a flat blade screwdriver.



17. The sand filter pump is now fully assembled. Connect the sand filter pump to the pool with the Long Hoses **13** supplied with the pump. Connect the pool Outlet to the Pump Inlet. And tighten the Hose Clamp **15** with a flat blade screwdriver. Connect the 6-Port Valve Outlet to the pool Inlet Port. Tighten the Hose Clamp **15** with a flat blade screwdriver.



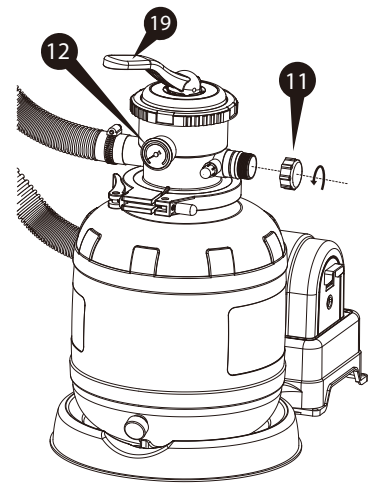
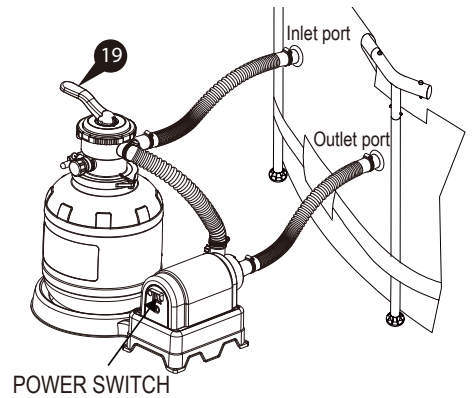
OPERATING INSTRUCTION

FUNCTIONS OF THE 6-PORT VALVE

VALVE POSITION	FUNCTION	WATER FLOW DIRECTION
1 BACKWASH	To reverse the water flow and wash the sand bed. Backwash the sand before first use and every 2 weeks.	Pool > Pump > Sand (backward) > Drain Outlet
2 RINSE	To cleanup and level out the sand bed after backwash.	Pool > Pump > Sand (forward) > Drain Outlet
3 FILTER	For normal filtration and regular vacuuming.	Pool > Pump > Sand (forward) > Pool
WASTE	For vacuuming directly to drain and lowering of water level.	Pool > Pump > Drain Outlet
RECIRCULATE	To recirculate water without filtering.	Pool > Pump > Pool
CLOSED	To shut off all flow between the pool and sand filter. DO NOT TURN ON THE PUMP.	No Flow. DO NOT TURN ON THE PUMP.
NULL	For winterizing and storage.	No flow.

OPERATING INSTRUCTIONS

1. Make sure all the Hoses **13** **14** are secured to the fittings on the pump and pool.
2. Always press down the 6-port Valve Handle **19** before switching position.
3. Always turn off the pump power when switching position.
4. It is critical to backwash the sand before using the pump to clean the pool water. This will prevent fine sand to flow into the pool and also wash off any dirt or debris within the sand.
5. Fill the pool until the water level reaches the pool fill line.
6. Follow the following steps to BACKWASH the sand before first use:
 - Remove the 6-Port Valve Drain Outlet Cap **11** from the 6-Port Valve **10**. (Optionally, a 1.5" [38mm] hose can be connected to the drain port to direct the waste water to a nearby drain.)
 - Press down the 6-Port Valve Handle **19** and turn to the "BACKWASH" position.
 - Turn on the power of the Pump **17**.
 - Pool water is now circulating backward through the sand bed to the drain outlet. Continue BACKWASH until the drain water becomes clean and clear.
 - Turn off the Pump **17** and switch the handle to the "RINSE" position. Turn on the Pump **17** for ONE minute, this will clean up and level out the sand bed. Turn off the Pump **17** when done.
7. To start filtering the pool, turn the 6-Port Valve Handle **19** to the "FILTER" position and then switch on the Pump **17**. Record down the sand tank pressure ready from the Pressure Gauge **12**. This reading indicates the initial tank pressure when the sand bed is clean.
8. BACKWASH the tank when the pressure is 1-1.5 bar (14.5 - 21.8 Psi) above the initial pressure. Or, BACKWASH the sand filter once every TWO weeks to maintain water cleanliness.



PUMP MOTOR PROTECTION

IMPORTANT! Your filter pump is protected by a thermal switch. The switch senses the temperature of the filter pump. If it gets too hot, the switch will stop the pump from running until it cools off. It will automatically turn back on when the filter pump has cooled down. This is a safety device to prevent pump damage and prolong service life. If your pump is automatically turning off, it is because of high pool water temperature and/or low water flow through the pump. If this happens you need to check the water flow and correct it if needed, as this filter pump uses the water flow for cooling. You may also want to run the pump at night when the temperature is lower.

PUMP MAINTENANCE

1. BACKWASH the sand bed when the pressure reading is 1-1.5 bar (14.5 - 21.8 Psi) above the initial pressure; or, BACK WASH the sand bed at least once TWO weeks.
2. Discard all the sand at the end of the season, wash the pump components, sand tank and 6-port valve thoroughly with fresh water before storage. Fill up with new sand at the beginning of the swimming season.
3. Check and adjust pH and chlorine levels daily using required chemicals. See below Section of "POOL WATER CARE".
4. Check filter pump output daily. If flow is reduced, see below Section of "TROUBLE SHOOTING GUIDE".
5. Check filter pump, hoses, fitting for leaks. If a leak is found, see below Section of "TROUBLE SHOOTING GUIDE".
6. Check seams in pool periodically. Minor repairs may be made with the repair patch kit (supplied with pool). Additional patches are available from Polygroup® or your local pool supply store.

POOL WATER CARE

1. The following items are required and readily available from your local pool supply store:
 - TEST KIT - Used to check chlorine and pH levels.
 - 1" CHLORINE TABLETS - Used to disinfect pool water and help control the growth of algae.
 - pH CONTROL CHEMICALS - Used to adjust pH levels Up (Soda Ash) or Down (Acid).
 - ALGAECIDES - Used to eliminate algae.
 - SUPERCHLORINATOR - Used to destroy combined chlorine, ammonia, nitrogen, and organic compounds.
 - LEAF NET with handle - Used to remove leaves, trash, insects, etc. from pool.
 - CHLORINE DISPENSER (available in most pool supply store).
2. Use test kit daily to check pH and chlorine levels. Adjust accordingly using the required chemicals.

NOTE: Excessive levels of chlorine or low pH levels will damage pool liner.
3. The pool can be cleaned using a garden hose powered vacuum from Polygroup® or a pool supply store.
4. Using a foot bath near the pool to wash off your feet prior to entering the pool will assist in keeping the pool clean.
5. Well water often presents special problems with water chemistry. If you must use well water, take a sample to your local pool chemical supplier for analysis before adding ANY chemicals.
6. Refer to the POOL'S USER MANUAL for the capacity of your pool. You will need this information to determine the amount of chemicals you will need to correct the pool water.

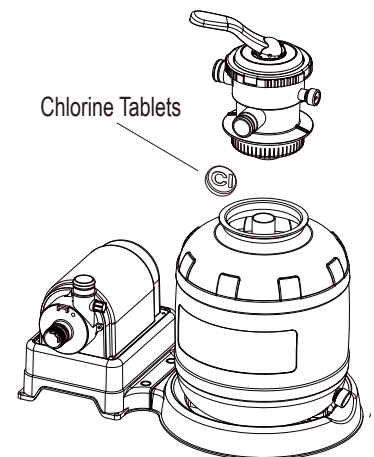
NOTE: It is recommended to use a 5 gallon bucket of water to mix and dissolve your chemicals and then applying directly to the pool water. Follow manufacturer's label directions on all chemicals.

- Most pool supply stores will test your pool water for free and advise you of what chemicals you need, and the correct amount to use for your pool. You will need to tell them the pool capacity in gallons.
7. **IMPORTANT:** We cannot over-stress the importance of proper and adequate daily chemical treatment. Chlorine and pH levels must be properly maintained at all times. PUMP AND FILTER ALONE WILL NOT PREVENT ALGAE FROM GROWING IN POOL WATER; THIS CAN ONLY BE DONE BY MAINTAINING PROPER CHLORINE AND pH LEVELS AT ALL TIMES.
 - Maintain pH level between 7.3 and 7.8.
 - Maintain chlorine level between 1.0 and 1.6 ppm (parts per million).
 - Superchlorinate your pool at least every other week.

NOTE:

1. Hot weather/heavy use may require pH and chlorine levels to be maintained on the upper side of the scale and superchlorination of the pool every week.
2. Using a pool cover and/or solar cover will assist in maintaining your pH and chlorine levels by reducing the amount of evaporation from your pool.

CAUTION: Concentrated chlorine levels and low pH levels will damage pool. You must follow the instructions for the pool chemicals you use, as to quantity and recommended usage. NEVER drop lumps or pellets of chemicals in pool; this may present a hazard to swimmers and/or damage your liner.



TROUBLESHOOTING GUIDE

⚠ WARNING: UNPLUG THE POWER CORD BEFORE TROUBLESHOOTING THE FILTER PUMP.

PROBLEM	CAUSE	SOLUTION
1 Pump motor fails to start	A The motor is not plugged in. Or not activated	A Power cord must be plugged into a grounded power outlet.
	B Low voltage	B Check the line voltage, it must be in the range of 105 to 125V.
	C Plug and/or circuit breaker tripped	C Reset the plug and/or circuit breaker. If problem persists, have the circuit checked by a qualified electrician.
	D Motor too hot and overload protection is shut off.	D Let the motor cool down and restart again.
2 Sand filter doesn't clean pool	A Improper chlorine or pH levels	A Adjust the chlorine and pH level. Consult your local swimming pool supply stores.
	B No filtering media in tank.	B Load with filter sand, see "sand loading instructions".
	C Wrong 6-way valve setting position.	C Set valve to "FILTER" position.
	D Excessively dirty pool.	D Operate the filter for longer periods.
	E Obstructed pool outlet fitting is restricting the water flow	E Clean the strainer at the pool outlet fitting
3 Sand filter doesn't pump water or flow is very slow	A Clogged inlet or discharge.	A Clear any obstructions in the pool outlet fitting and ousump intake hose.
	B An air leak on the intake line.	B Tighten hose clamps, check hoses for damage and check pool water level.
	C Sand media clogged with dirt.	C Backwash the sand bed more frequently.
	D Crusting or caking on the filtering sand surface.	D Replace about 1" (25mm) of sand. Replace all the sand if problem persists.
	E Pool vacuuming device attached to the system.	E Remove any pool vacuuming device attached to the system line.
4 Pump doesn't Work	A Low water level.	A Fill pool to correct water level.
	B Strainer screen clogged up.	B Clean strainer screens at pool inlet.
	C An air leak on the intake hose.	C Tighten hose clamps, check hose for damage.
	D Faulty motor or the impeller is jammed.	D Contact Customer Service.
5 6-way valve/ cover leaking	A Sand tank o-ring missing.	A Remove 6-way valve and ensure the o-ring is in present.
	B Sand tank o-ring dirty.	B Clean sand tank o-ring with garden hose water.
	C Hose clamps not tight.	C Tighten the hose clamps.
	D 6-port valve damage.	D Contact Customer Service.
6 Hose leaking	A Hose clamps not securely tight.	A Tighten/reinstall hoses clamp.
	B Hose connection fitting o-ring missing.	B Ensure o-ring is in place and not damaged.
7 Pressure gauge doesn't Work	A Clogged inlet of the pressure gauge.	A Clear any obstructions in the intake by unscrewing it from the 6-port valve.
	B Pressure gauge damage.	B Contact Customer Service.
8 Sand is flowing back into the pool	A Sand is too small.	A Use only No.20 silica sand with particle size range 0.45 to 0.85mm (0.018 to 0.033 inches) and a Uniformity Coefficient less than 1.75.
	B Sand bed is calcified.	B Discard all the used sand and replace with new sand.

REPLACEMENT PARTS ORDERING INFORMATION

Key#	Description	ST1100	ST1600
		PART #	PART #
1	Sand Tank Base	P58PP2884A09	P58PP1782E09
2	Sand Tank	P58000001W05	P58000000W05
3	Drain Valve Cap	P58PF0800W05	P58PF0800W05
4	6-Port valve Drain Outlet Window	P58PF8960C01	P58PF8960C01
5	Center Pipe	P586402001W1	P586402000W1
6	Sand Guard	P58PF8891P01	P58PF8891P01
7	Clamp	P58897023E09	P58897023E09
8	CAM-SHAFT Bolt Cap	P58PP2021K01	P58PP2021K01
9	6-Port Valve O-Ring	P58135001K01	P58135001K01
10	6-Port Valve	P58PF8880E09	P58PF8880E09
11	6-Port Valve Drain Outlet Cap	P58PF8910E09	P58PF8910E09
12	Pressure Gauge	P58340000000	P58340000000
13	59" Hose	P584150006W1	P584150006W1
14	ST1100 14" Hose		P584150014W1
	ST1600 12" Hose	P584150012W1	
15	Hose Clamp	P5842504500A	P5842504500A
16	Locking Pin	P58PP1759E09	P58PP1759E09
17	Pump	P530C200SNW5	P530C200SNW5
18	1.5" Fitting O-Ring	P58037000K01	P58037000K01
19	6-Port Valve Handle	P58PF8950E09	P58PF8950E09

WINTERISING, DISASSEMBLY & STORAGE

1. First, unplug the Power Cord of the system.
2. Loosen all Hose Clamps **15** . Remove the Hose **13** **14** and allow water to drain out.
3. Remove Drain Valve Cap **3** from the Sand Tank **2** and allow water to drain out, and the tighter back the Drain Valve Cap **3** onto the drain valve on the Sand Tank **2** .
4. Clear and lubricate all Fitting O-Rings **18** with petroleum jelly and then place the sand filter pump in a safe place.

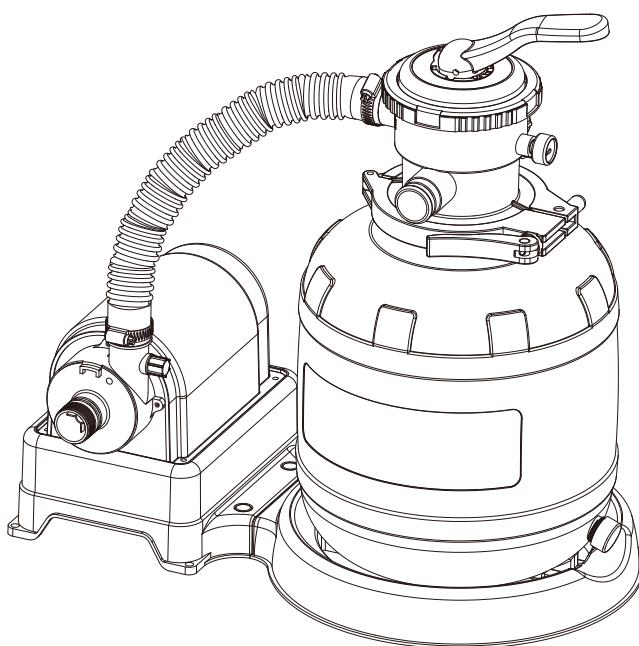
CUSTOMER SERVICES CONTACT

COUNTRIES / REGIONS	SERVICE CENTER LOCATIONS
United Kingdom	<p>Telephone: 44(0) 1702208172</p> <p>Address: Geemac sales & Marketing Limited 12 Eldon Way Hockley Essex SS5 4AD</p>
France	<p>Telephone: 33(0) 969360535</p>
Spain	<p>Telephone: 0902848775</p>
Italy	<p>Telephone: 0800788298</p> <p>Address: 12 Eldon Way Hockley Essex</p>
Germany	<p>Telephone: 49(0) 6218455210</p> <p>Address: Germany Sales & Service Office RMS GmbH Besselstr.25, 68219 Mannheim Service@rms-gruppe.de</p>
Australia and Islands	<p>Telephone: 1800-451-190</p>
<p>For answers to most frequently asked questions, please visit https://polygroup.zendesk.com/hc/en-us</p>	

POMPE FILTRANTE À SABLE SUMMER WAVES®

POUR LES MODÈLES DE PISCINE HORS-SOL
ST 1100 (10") / ST1600 (12")

PGIM_SandFilterPump1100-1600_EU_201610_V01



LISEZ ET CONSERVEZ CE MODE D'EMPLOI POUR CONSULTATION ULTÉRIEURE

Si vous rencontre un problème avec votre produit Polygroup®, veuillez ne pas retourner le produit au lieu d'achat. Toutes les réclamations de garantie doivent être faite directement à Polygroup®. Avant de contacter le service client, veuillez d'abord examiner le Guide de dépannage dans le manuel d'installation, ou revoir la FAQ sur www.polygroup.com. Veuillez visionner les vidéos d'instruction de montage sur le www.Polygroup.com/vidéo. Si vous n'êtes toujours pas en mesure de corriger le problème, veuillez contacter le service client de Polygroup au 0969360535. Ayez le type de produit et votre reçu d'achat à portée de main. Notre représentant du service à la clientèle vous aidera à résoudre le problème. Il pourrait vous être demandé de retourner une partie du produit ou le produit en totalité pour inspection et/ou réparation. Ne pas renvoyer de produit à Polygroup sans numéro ou autorisation de renvoi.

GARANTIE LIMITÉE

Polygroup® Limited (Macao Commercial Offshore) (ci-après « Polygroup® ») garantit, exclusivement à l'acheteur initial, la Pompe filtrante à sable contre les défauts de matériau ou de fabrication pendant 180 jours à compter de la date d'achat. L'acheteur initial doit conserver la preuve de cet achat sous la forme du reçu de vente d'origine du magasin et doit le fournir sur la demande de Polygroup® ou de ses agents agréés. Les réclamations dans le cadre de la garantie ne peuvent pas être traitées sans preuve d'achat valable. Cette Garantie Limitée s'applique exclusivement à l'acheteur initial du produit et se limite exclusivement à la réparation ou au remplacement du produit, tel que décidé à la seule discrétion de Polygroup®. Les dommages consécutifs, y compris les réclamations de perte d'eau, de produits de traitement des piscines, de détériorations ou de travail, ne sont pas couverts par cette Garantie Limitée. Cette Garantie est déclarée invalide si l'Acheteur modifie ou répare le produit lui-même ou via des personnes non autorisées, utilise avec le produit des accessoires ou pièces autres que de la marque Polygroup®, utilise le produit sans respecter le mode d'emploi du fabricant, utilise une tension inappropriée, maltraite le produit de quelque manière que ce soit, fait preuve de négligence ou en cas de circonstances accidentelles. L'usure normale n'est pas couverte par cette Garantie, ni les évènements de force majeure échappant au contrôle de Polygroup®.

EN AUCUN CAS, Polygroup®, SES AGENTS AGRÉÉS, ENTITÉS APPARENTÉES OU EMPLOYÉS NE SERONT RESPONSABLES ENVERS L'ACHETEUR OU TOUTE AUTRE PARTIE POUR DES DOMMAGES DIRECTS OU INDIRECTS. Certains États/provinces ou pays ou d'autres juridictions n'autorisent pas l'exclusion ou la limitation des dommages indirects ou secondaires, auquel cas l'exclusion ou la limitation susmentionnée ne s'applique pas à vous.

TABLE DES MATIÈRES

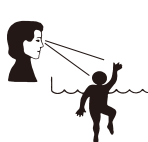
Avertissements	3 ~ 6
Conservez Ces Instructions, Informations Relatives À L'alimentation De La Pompe À Sable, Liste Des Pièces.....	7 ~ 8
Instructions D'installation, Mode D'emploi.....	9 ~ 13
Mode D'emploi	14
Protection Du Moteur De La Pompe, Entretien De La Pompe	15
Entretien De L'eau De La Piscine	15
Guide De Dépannage.....	16
Informations Pour Les Commandes De Pièces De Rechange.....	17
Informations Pour Les Commandes De Pièces De Rechange.....	17
Service Après Vente	18

CONSIGNES DE SÉCURITÉ IMPORTANTES

Il convient de toujours respecter des précautions de base lorsque vous installez et utilisez cet appareil électrique, en particulier les suivantes :

LISEZ ET RESPECTEZ TOUTES LES INSTRUCTIONS

À Conserver Pour Consultation Ulérieure Le non-respect de ces avertissements et instructions peut entraîner de graves blessures voire la mort, en particulier aux enfants.



DANGER

PRÉVENEZ LES NOYADES

Surveillez les enfants en permanence. Respectez toutes les règles de sécurité.

PAS DE PLONGEON ! PAS DE SAUTS !

Eau peu profonde - Vous risquez des blessures permanentes.



AVERTISSEMENT

NE VOUS ASSEYEZ PAS ET NE VOUS ALLONGEZ PAS SUR LA PAROI DE LA PISCINE

Vous risquez des blessures permanentes.

ÉVITEZ DE VOUS FAIRE PIÉGER

Restez éloigné des raccords d'aspiration. Vous risqueriez de vous noyer.

NOTE : LES CLIENTS QUI ACHÈTENT UNE PISCINE SONT SUSCEPTIBLES D'ÊTRE OBLIGÉS, POUR SE CONFORMER AUX RÉGLEMENTATIONS LOCALES OU NATIONALES, D'EFFECTUER D'AUTRES DÉPENSES LORS DE L'INSTALLATION DE LA PISCINE, POUR L'INSTALLATION D'UNE BARRIÈRE OU AUTRES DISPOSITIFS DE SÉCURITÉ. LES CLIENTS DOIVENT CONSULTER LES AUTORITÉS LOCALES COMPÉTENTES POUR DE PLUS AMPLES DÉTAILS.



À lire attentivement et à conserver pour consultation ultérieure



AVERTISSEMENT

Sécurité Concernant les Enfants

1. Les enfants, en particulier sous l'âge de cinq ans, présentent de forts risques de noyade. Les noyades se produisent en silence et rapidement, même dans une eau pas plus profonde que 5 cm (2").
2. Gardez les enfants en vue directe, restez à proximité, et surveillez-les de façon active lorsqu'ils se trouvent dans cette piscine ou à ses alentours, ainsi que lorsque vous remplissez et vidangez cette piscine.
3. Lorsque vous recherchez un enfant manquant, vérifiez d'abord la piscine, même si l'enfant est censé se trouver dans la maison.
4. Placez les pompes et les filtres de façon que les enfants ne puissent pas grimper dessus pour accéder à la piscine.
5. AVERTISSEMENT : Pour réduire les risques de blessure, ne permettez pas aux enfants d'utiliser ce produit à moins qu'ils ne soient surveillés en permanence.
6. Ne laissez pas les enfants qui ne savent pas nager dans l'eau sans gilet de sauvetage ou non accompagnés .
7. désigner une personne pour assumer la responsabilité de la sécurité .
8. Soyez très vigilant lorsque plusieurs personnes utilisent la piscine au même temps .
9. Laissez à vos enfants à nager dès que possible .
10. Laissez les produits de traitement de l'eau hors de la portée des enfants .

Barrières de Piscine

Très Important : Les barrières de piscine, qui restreignent l'accès des jeunes enfants à la piscine, sont susceptibles d'être légalement obligatoires. Une barrière est nécessaire pour protéger contre les noyades et les quasi-noyades. La présence d'une barrière ne dispense pas d'une surveillance constante des enfants. Vérifiez la législation nationale et locale avant de mettre en place la piscine.

Équipements de Piscine

1. Gardez tous les câbles électriques, radios, haut-parleurs et autres appareils électriques éloignés de la piscine.
2. Ne positionnez pas la piscine sous des lignes électriques aériennes ou à leur proximité.

Avertissements Concernant la Pompe Filtrante

1. AVERTISSEMENT ! Suivez les instructions du fabricant de la piscine et mettez correctement la piscine en place avant d'installer cette pompe filtrante.
2. AVERTISSEMENT ! Le montage doit être effectué par un adulte.
3. AVERTISSEMENT ! Avant de commencer, vérifiez que tous les tuyaux et accessoires sont bien installés de façon fiable.

4. AVERTISSEMENT ! N'enterrez pas les câbles électriques. Faites cheminer les câbles de façon que les tondeuses, taille-haies et autres appareils ne puissent pas les endommager.
5. AVERTISSEMENT ! N'utilisez pas de rallonge intermédiaire pour brancher le produit sur le secteur.
6. AVERTISSEMENT ! Ne permettez pas que les enfants utilisent la pompe filtrante sans être surveillés par un adulte.
7. AVERTISSEMENT ! N'utilisez pas la pompe filtrante lorsque la piscine est vide. Cette pompe est prévue pour être utilisée avec des piscines démontables posées sur le sol, elle ne doit pas être utilisée avec une piscine permanente. Une mauvaise utilisation peut entraîner une surchauffe et endommager le produit de façon permanente.
8. AVERTISSEMENT ! Pour éviter toute décharge électrique, prenez garde aux câbles électriques endommagés.
9. AVERTISSEMENT ! Le câble du transformateur et de la pompe filtrante ne peut pas être remplacé. Si le câble est endommagé, le transformateur et la pompe doivent être mis au rebut.
10. Avertissement! Pour éviter tout risque de décharge électrique, ne branchez la pompe que sur une ligne électrique équipée d'un interrupteur différentiel ou d'un disjoncteur différentiel. La pompe doit être alimentée par un circuit protégé par un interrupteur différentiel ou par un disjoncteur différentiel d'une sensibilité de 30mA. Contactez un électricien qualifié si vous ne pouvez pas vérifier la présence d'un interrupteur/disjoncteur différentiel dans le circuit. Faites appel à un électricien qualifié pour installer l'interrupteur/le disjoncteur différentiel.
11. Un enfant peut se noyer même dans une faible hauteur d'eau. Vidangez la piscine en cas de non-utilisation.
12. N'installez pas la pataugeoire sur du béton, de l'asphalte, ou toute autre surface dure.
13. Placez le produit sur une surface plane éloignée d'au moins 2 m de toute structure ou obstacle tels que clôture, garage, habitation, branches en surplomb, fils d'étendage ou lignes électriques.
14. AVERTISSEMENT ! Cet appareil peut être utilisé par des enfants de 8 ans et plus et par des personnes aux capacités physiques, sensorielles ou mentales réduites, ou par des personnes manquant d'expérience et de connaissances à condition de les surveiller et de les avoir initiés à son utilisation de façon sûre et de s'être assuré de leur compréhension des risques encourus. Les enfants ne doivent pas jouer avec l'appareil. Le nettoyage et l'entretien ne doivent pas être effectués par des enfants sans surveillance.
15. AVERTISSEMENT ! Les enfants doivent être surveillés afin de s'assurer qu'ils ne jouent pas avec l'appareil.
16. AVERTISSEMENT ! Le système de filtration peut être utilisé aussi longtemps que désiré, mais JAMAIS lorsque la piscine est occupée.
17. AVERTISSEMENT ! Une pollution de l'eau peut se produire en cas de fuite de lubrifiant.
18. ATTENTION : Cette pompe n'est destinée à être utilisée qu'avec des piscines amovibles. Ne l'utilisez pas avec une piscine installée de façon permanente. Une piscine hors-sol est fabriquée de façon à pouvoir être facilement démontée et remontée à des fins de stockage. Une piscine permanente est construite sur le sol ou enterrée à l'intérieur ou à l'extérieur d'un bâtiment et ne peut pas être démontée pour être stockée.
19. ATTENTION : Pour une protection permanente contre les éventuelles décharges électriques cet appareil doit être monté sur sa base conformément aux instructions d'installation.
20. La Pompe Filtrante doit être assemblée par un adulte ; le déballage et l'assemblage de la Pompe Filtrante doivent être effectués avec soin, cette piscine pouvant comporter de dangereux bords coupants ou des pointes qui sont nécessaires au bon fonctionnement de la Pompe Filtrante.
21. Si un bouchon d'aspiration ou de retour d'eau est manquant ou endommagé, n'utilisez pas la piscine. L'aspiration pourrait piéger une partie du corps, l'enchevêtrement des cheveux ou des bijoux, une éviscération ou une noyade. Réparez ou remplacez le bouchon d'aspiration ou de retour avant de permettre que la piscine soit utilisée. Lors de l'utilisation de la piscine en nocturne, éclairez tous les symboles de sécurité, l'échelle, les marches, la plage et les allées à l'aide de lumière artificielle.
22. Le sol de la piscine doit être visible à tout moment à partir du périmètre extérieur de la piscine.
23. Établissez une liste de numéros d'urgence comme la police, les pompiers, le SAMU et autres services de secours. Ces numéros doivent être conservés près du téléphone le plus proche de la piscine.
24. Un équipement de secourisme de base, comprenant l'un des éléments suivants doit être en permanence à portée de main :
 - Une perche rigide et solide (houlette) d'une longueur au moins égale à 366 cm [12'].
 - Une corde d'un diamètre minimal de 6,35 mm (1/4") et d'une longueur minimale égale à une fois et demi (1-1/2) la largeur maximale de la piscine ou quinze mètres (50') [15 mètres], la plus petite des deux valeurs, ayant été attachée à une bouée agréée par les Autorités Maritimes et d'un diamètre extérieur d'environ 38 cm (15"), ou à un dispositif de flottaison agréé.
25. Avertissement. Réservé à un usage domestique.
26. Le produit doit être monté/démonté par un adulte.
27. Une vérification hebdomadaire est recommandée pour effectuer un lavage à contre-courant ou un nettoyage.
28. Il est essentiel de vérifier que les ouvertures d'aspiration ne sont pas bouchées.
29. Il est recommandé d'arrêter la filtration pendant les opérations d'entretien du système de filtration.
30. Vérifiez régulièrement le niveau d'encrassement du filtre.
31. Il est essentiel de remplacer au plus tôt tout élément ou ensemble endommagé. N'utilisez que des éléments agréés par la personne responsable de la mise sur le marché du produit.
32. Ne pas trop remplir la piscine et permettre à quiconque de monter ou pencher sur l'anneau gonflé. Cela entraînera le mur de la piscine à l'effondrement! Vider la piscine au bon niveau de l'eau après de fortes pluies.
33. NOTE: NE PAS tenter le montage de cette piscine lorsque la température est inférieure à 16 ° C.
34. NOTE: Cette piscine peut être démonté et rangé, une procédure qui doit être effectuée lorsque les températures devraient descendre en dessous de 4 ° C.
35. NOTE: NE PAS utiliser la pompe quand les gens sont dans la piscine.
36. ne cachent pas LE CORDON: Localiser le cordon loin des tondeuses, débroussailleuses et autres équipements de jardin.
37. ATTENTION: Pour réduire le risque d'électrocution, ne pas utiliser de rallonges pour connecter l'appareil au réseau électrique; fournir une prise convenablement située.
38. NOTE IMPORTANTE: Si vous ne l'utilisez la pompe avec une alimentation électrique, vous risquez d'endommager la pompe ou provoquer un accident.
39. Ne retirez pas la broche de terre, ne pas modifier la fiche, NE PAS UTILISER UN ADAPTATEUR: contactez un électricien qualifié pour tous les problèmes liés à la mise à la terre de vos bouchons.
40. Prenez de la pompe avec soin. Évitez de faire glisser ou porter la pompe par son cordon électrique. Ne retirez jamais la prise en tirant sur le cordon électrique. Le cordon électrique doit être intact. Ne jamais exposer le filtre de la pompe à des objets tranchants, de l'huile, des pièces ou la chaleur en mouvement.
41. NOTE: Placez la pompe sur une base de niveau de sécurité. Vérifiez que l'emplacement de la piscine et la pompe sont suffisamment aérés, que l'eau puisse être évacuée

- correctement et qu'il y a suffisamment d'accès pour le nettoyage. Ne jamais placer la pompe dans un endroit où l'eau peut recueillir ou d'un volume élevé de personnes passer à travers. La pompe doit être positionné au moins à 2 mètres de la piscine.
42. cordon d'alimentation de la pompe doit être situé à au moins 3,5 mètres de la piscine.
 43. Après l'installation de la piscine, la fiche doit être facilement accessible.
 44. NOTE: Le temps peut compromettre les performances et la durée de vie de votre pompe de filtration. Si elle est exposée au froid, lumière directe du soleil ou à la chaleur, il peut devenir inutilisable si vous devez le protéger contre les éléments, si possible. Avant d'effectuer tout entretien ou le démontage de la pompe, ne pas oublier de remplacer les filtres de déchets de couleur bleu fournis par l'usine.
 45. NOTE: Ne pas utiliser l'appareil pendant plus de 15 heures par jour.
 46. NOTE: Ne pas ajouter de produits chimiques à la pompe de filtration.
 47. Il est essentiel de vérifier que les trous d'entrée ne sont pas bouchée .
 48. Il est recommandé que la filtration soit stoppée pendant les travaux d'entretien sont effectués sur le système de filtration.
 49. Ne laissez pas utiliser la piscine si le système (s) de filtre est / sont endommagés.
 50. Il est essentiel de changer toute partie endommagée ou des parties dès que possible. Utilisez uniquement des pièces approuvées par le titulaire de l'autorisation de commercialisation.
 51. Assurez-vous que les gens qui ne savent pas nager utilisent des dispositifs de sécurité individuels.
 52. Ne laissez pas courir ou joueur autour de la piscine.
 53. Ne laissez pas des jouets à proximité ou dans la piscine quand elle est sans surveillance.
 54. Un périmètre électronique ou détecteur immersion est conseillé d'être activé. S'il vous plaît noter que ces appareils ne sont en aucun cas destinés à agir comme un substitut pour une surveillance étroite.
 55. NOTE: La hauteur manométrique totale maximale est la suivante

Modèle	CP2000
Niveau maximum	8m

Systèmes de Circulation

1. Les installateurs doivent respecter les instructions écrites relatives au positionnement de tous les équipements reliés aux systèmes de circulation.
2. L'installateur doit respecter les instructions écrites fournies concernant l'utilisation des composants du système de circulation.
3. Tous les composants du système de circulation et de la pompe nécessitant une réparation ou un remplacement doivent être installés en respectant les instructions du manuel de la pompe.
4. L'équipement de circulation doit être installé conformément aux instructions du fabricant afin que le montage et le soutien soient corrects, de façon à éviter tout dommage consécutif à un mauvais alignement, à un mauvais positionnement, et aux vibrations, et pour minimiser les possibilités d'accumulation de débris et d'humidité. Veuillez vous reporter au manuel d'instructions de la pompe.

Produits Chimiques

Pour des raisons de sécurité, assurez-vous que la partie la plus profonde de la piscine est toujours visible. L'utilisateur doit assurer en permanence la clarté de l'eau. Vérifiez régulièrement les niveaux de pH et de chlore, et assurez-vous qu'ils sont dans les limites recommandées. L'utilisation de produits de traitement de l'eau additionnels peut être de temps en temps nécessaire. Faites analyser un échantillon de l'eau par un revendeur local de matériel pour piscines pour déterminer si des produits chimiques supplémentaires sont nécessaires. Faites fonctionner le système de pompe filtrante au moins six heures par jour. Nettoyez et remplacez fréquemment la cartouche de filtration. **N'effectuez le remplacement qu'avec une cartouche filtrante d'origine de Marque Polygroup® / Summer Wave®. Reportez-vous au manuel de la Pompe Filtrante pour des informations supplémentaires concernant le traitement de l'eau.**

Risque de Piégeage

1. Prévention des Piégeages : Aucune saillie ou obstruction ne doit se trouver dans la zone de natation, dans lesquelles un utilisateur pourrait se faire piéger ou s'emmêler. Si un bouchon d'aspiration d'eau est manquant, n'utilisez pas la piscine. L'aspiration pourrait piéger une partie du corps, l'enchevêtrement des cheveux ou des bijoux, une éviscération ou une noyade. Réparez ou remplacez le bouchon d'aspiration avant de permettre que la piscine soit utilisée.
2. DANGER ! POUR ÉVITER TOUTE BLESSURE GRAVE VOIRE LA MORT, CONDAMNEZ L'UTILISATION DE LA PISCINE OU DU SPA AU CAS OÙ TOUT BOUCHON/GRILLE DE RACCORD D'ASPIRATION SERAIT MANQUANT(E), CASSÉ(E), OU INOPÉRANT(E).
3. Ne jouez jamais ou ne nagez jamais à proximité des raccords d'aspiration ou de retour. Votre corps ou vos cheveux pourraient être happés et provoquer des blessures permanentes ou une noyade.
4. Ne pénétrez jamais dans la piscine ou dans le spa si un raccord d'aspiration ou un bouchon de vidange est desserré, cassé ou manquant.
5. Prévenez immédiatement le propriétaire ou l'opérateur de la piscine / du spa si vous constatez qu'un bouchon de vidange es desserré, cassé ou manquant.

Risque de Noyade

1. Évitez que des enfants non surveillés ne puissent accéder à la piscine en installant une clôture ou des barrières agréées tout autour de la piscine. Les règlements nationaux ou locaux sont susceptibles d'imposer la pose d'une clôture ou de barrières agréées. Vérifiez la législation nationale et locale avant de mettre en place la piscine.
2. Les jouets, chaises, tables ou objets similaires sur lesquels un jeune enfant pourrait grimper doivent se trouver à au moins 1m20 (4') de la piscine. Le système de pompe filtrante doit être positionné de façon qu'il ne constitue pas un moyen pour les jeunes enfants d'accéder à la piscine. Ne laissez pas les jouets dans la piscine une fois qu'ils ne servent plus, il pourraient attirer un enfant vers la piscine.
3. Placez le mobilier (comme les tables, les chaises) à bonne distance de la piscine de façon que les enfants ne puissent pas grimper dessus pour accéder à la piscine.

Risque d'Électrocution

1. Gardez tous les câbles électriques, radios, haut-parleurs et autres appareils électriques éloignés de la piscine.
2. Ne positionnez pas la piscine sous des lignes électriques aériennes ou à leur proximité.

Premiers Soins

1. Gardez un téléphone opérationnel ainsi qu'une liste de numéros d'urgence à proximité de la piscine.
2. Apprenez les techniques de réanimation cardiopulmonaires. En cas d'urgence, une réanimation immédiate peut sauver une vie.
3. Dans le cas d'un accident :
 - Obtenez la personne hors de l'eau le plus rapidement possible ;
 - Appelez immédiatement les services d'urgence et suivez les conseils qui vous sont donnés ;
 - Enlever les vêtements mouillés et enveloppez la personne dans une couverture chaude.

Avertissement Spécial

1. Les règles locales de construction sont susceptibles de vous obliger à obtenir un permis spécifique. L'installateur doit respecter les règles concernant le recul, les barrières, les appareillages et autres conditions particulières.
2. NE TENTEZ PAS de monter cette piscine par mauvais temps, comme par forts vents, en cas de rafales ou lorsque la température est inférieure à 15°C (60°F).
3. Cette pompe peut être remisée, mais vous ne devez pas la démonter et la ranger s'il est prévu que la température descende en dessous de 0°C (32°F).

Avertissements de Sécurité Supplémentaires

1. La surveillance par un adulte est requise en permanence.
2. Les parents devraient apprendre les techniques de réanimation.
3. Gardez toutes les radios, haut-parleurs et autres appareils éloignés de la piscine.
4. Lorsque vous touchez le filtre, la pompe, ou les éléments électriques, assurez-vous que le sol sous vos pieds est "Complètement Sec".
5. Ne branchez le câble d'alimentation que dans une prise à 3 broches reliée à la terre.
6. Éloignez tous les objets fragiles des environs de la piscine.
7. La consommation d'alcool et les activités liées à la piscine ne font pas bon ménage. Ne laissez jamais personne nager, plonger, ou glisser s'il est sous l'influence de l'alcool ou de drogues.
8. Une grave décharge électrique pourrait se produire si vous installez votre pompe ou le filtre sur une terrasse. La pompe ou le filtre pourrait également tomber à l'eau, provoquant une grave décharge électrique ou une électrocution.
9. Ne procédez pas à l'installation sur une terrasse ou autre surface se trouvant peu ou prou au même niveau que la traverse supérieure de la piscine.
10. N'utilisez pas la pompe filtrante par très mauvais météo, comme en cas de tempête, de tornade, etc.
11. Prenez garde aux lignes électriques aériennes lorsque vous aspirez votre piscine ou que vous utilisez une perche télescopique.
12. Vérifiez régulièrement l'absence de signes d'usure ou de desserrage de boulons susceptibles d'altérer la sécurité de la terrasse.
13. Veuillez contacter le revendeur ou le fabricant de la piscine en cas de doute sur des signes qui pourraient faire penser à un risque pour la sécurité.
14. Faites réparer votre piscine par un professionnel agréé.
15. Apprenez les techniques de sauvetage, en particulier ceux qui peuvent être utilisés sur les enfants.
16. Le temps peut compromettre les performances et la durée de vie de votre filtre. Si elle est exposée au froid, lumière directe du soleil ou à la chaleur, il peut devenir inutilisable si possible vous devriez protéger contre des éléments

TOUT TRAVAIL D'ENTRETIEN POUR ÉVITER TOUT RISQUE DE BLESSURES VOIRE DE MORT.

17. INFORMATION GÉNÉRALE : La piscine doit être remisée s'il est prévu que la température puisse descendre en dessous de 4°C.
18. Tous les éléments doivent être nettoyés à l'eau tiède savonneuse uniquement. N'utilisez NI détergent NI eau chaude.
19. Assurez-vous que tous les éléments sont secs avant de les ranger, afin d'éviter toute formation de moisissures.
20. Stockez tous les éléments dans un lieu sec et chauffé dont la température est supérieure à 4°C et inférieure à 51°C.
21. Le non-respect des instructions de stockage peut entraîner des dommages à votre piscine et annuler la garantie.
22. VOUS DEVEZ RESPECTER LES INSTRUCTIONS DE MONTAGE POUR REMONTER VOTRE PISCINE LA SAISON SUIVANTE.
23. L'emplacement de la piscine doit être plat et déblayé.
24. Ne laissez pas une piscine au sol à l'extérieur lorsqu'elle est vide.

Recommandations pour l'installation

1. Une vérification hebdomadaire est recommandée pour effectuer un lavage à contre-courant ou un nettoyage.
2. Il est essentiel de vérifier que les ouvertures d'aspiration ne sont pas bouchées.
3. Il est recommandé d'arrêter la filtration pendant les opérations d'entretien du système de filtration.
4. Vérifiez régulièrement le niveau d'encrassement du filtre.
5. La durée quotidienne minimale de filtration est de 8 heures.



Le Traitement des appareils électriques et électroniques à la fin de leur durée de vie (applicable dans les pays membres de l'Union européenne et d'autres pays européens l'exploitation d'un système de collecte sélective des déchets) .

Ce symbole, apposé sur le produit ou sur son emballage, indique que le produit ne doit pas être traité avec les déchets ménagers. Il doit être porté à un point de collecte des déchets électriques et électroniques pour le recyclage et l'élimination. En veillant à la disposition appropriée de ce produit vous aidez également à prévenir les conséquences négatives potentielles pour l'environnement et la santé humaine. Le recyclage des matériaux contribue à préserver nos ressources naturelles. Pour de plus amples informations concernant le recyclage

de ce produit, s'il vous plaît contacter votre municipalité, centre d'élimination des déchets local ou le magasin où le produit a été acheté.

Prenez contact avec les autorités locales pour obtenir des informations relatives aux points de collecte disponibles.

Température Maximale de l'Eau : 35 degrés

Refoulement Maximum : 1,5 mètres.

CONSERVEZ CES INSTRUCTIONS

Preliminary Steps:

1. READ ALL INSTRUCTIONS CAREFULLY and get a thorough understanding of what is required to assemble your ST series Filter Pump.
2. Before you begin to assemble the pool, identify, count, and check all parts needed for assembly.
3. It is recommended that you have some PETROLEUM JELLY on hand for lubricating the gaskets.
4. Installer shall follow written instructions provided for operation of the filter pump systems.
5. All electrical components shall be installed in accordance with Article 680 of the National Electrical Code (NEC) "Swimming Pools, Fountains and Similar Installations" or its latest approved edition.
6. The Pump are manufactured by Polygroup® and ETL control number 4000608 and 4006317 - double insulated and grounded - 220-240 V.A.C - 50Hz.

INFORMATIONS RELATIVES À L'ALIMENTATION DE LA POMPE À SABLE

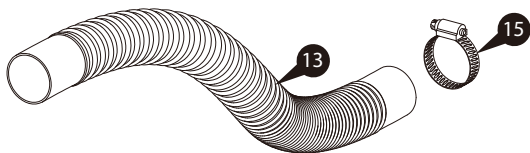
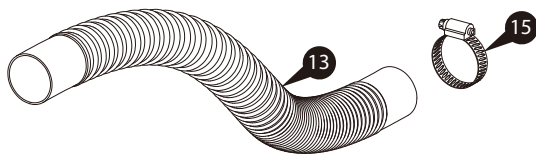
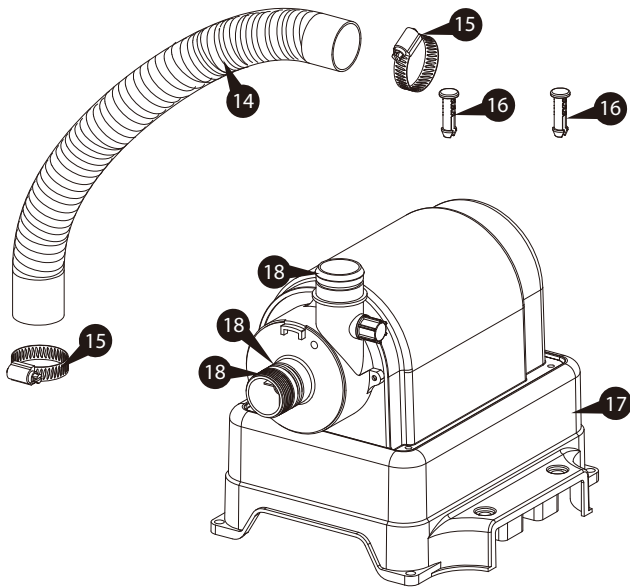
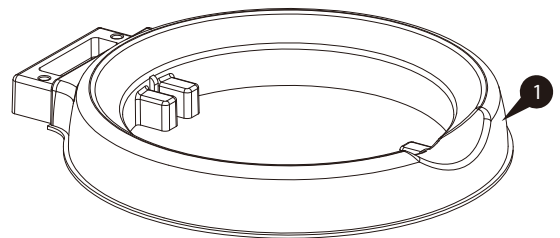
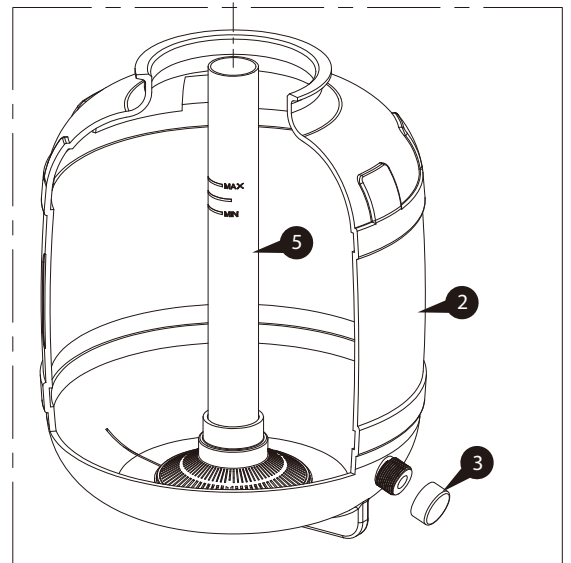
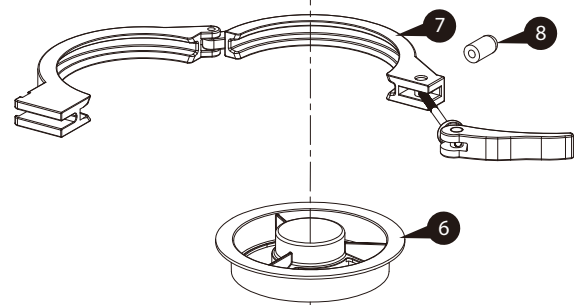
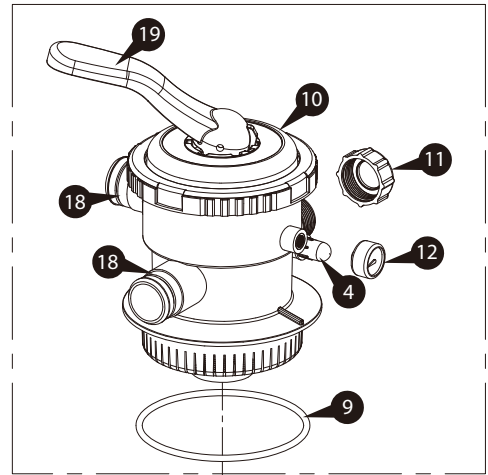
MODÈLE DE POMPE À SABLE	TENSION	PUISSANCE
FILTRE À SABLE 10" (AVEC POMPE CP2000)	200 W	1.0 A
FILTRE À SABLE 12" (AVEC POMPE CP2000)	200 W	1.0 A

LISTE DES PIÈCES

ÉLÉMENTS	DÉNOMINATION		NOMBRE	ÉLÉMENTS	DÉNOMINATION		NOMBRE
①	Base du réservoir de sable	A) ST1100	1	⑩	Vanne à 6 voies		1
		B) ST1600			Bouchon de vidange de la vanne à 6 voies		
②	Réservoir de sable	A) ST1100	1	⑫	Manomètre		1
		B) ST1600			Tuyau long		
③	Bouchon de vidange		1	⑭	Tuyau court	ST1100 14" Hose	1
④	6-Port Valve Drain Outlet Window		1			ST1600 12" Hose	
⑤	Tube central	A) ST1100	1	⑮	Collier de serrage de tuyau		6
		B) ST1600			Goupille de verrouillage		
⑥	Protège-sable		1	⑰	Pompe		1
⑦	Bride		1	⑱	Joint torique raccord 1,5"		5
⑧	Capuchon du BOULON EXCENTRIQUE		1	⑲	Lever de la vanne à 6 voies		1
⑨	Joint torique de la vanne à 6 voies		1				

Spécifications du sable:

Remplissez le réservoir avec du sable siliceux #20. Vous pouvez vous procurer le sable auprès de votre magasin local de bricolage ou de matériaux.

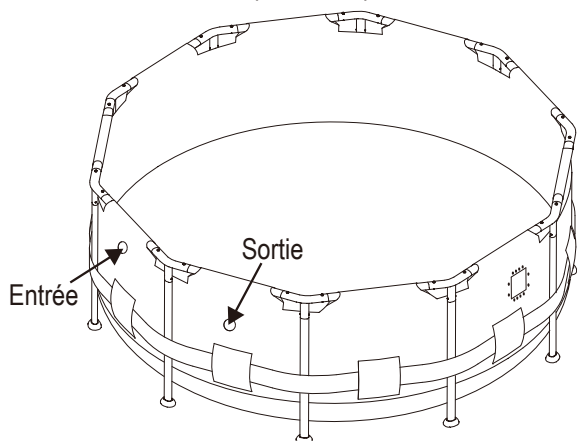


INSTRUCTIONS D'INSTALLATION

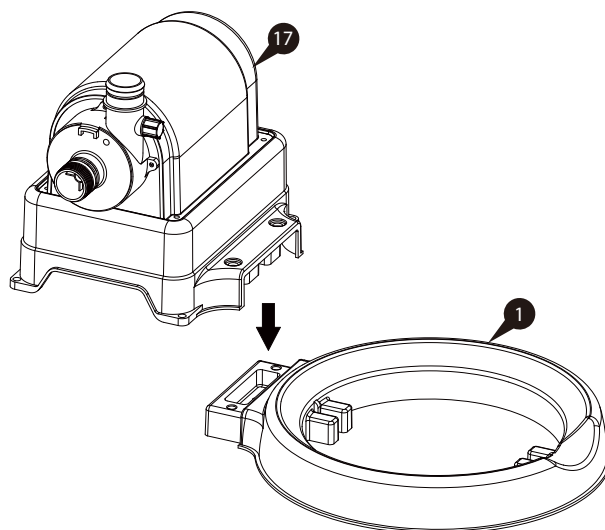
Avant d'assembler votre produit, prenez quelques minutes pour vérifier le contenu de l'emballage et vous familiariser avec toutes les pièces.

⚠ ATTENTION: POSITIONNEZ CE PRODUIT À DISTANCE DE LA PISCINE, AFIN D'ÉVITER QUE DES ENFANTS NE S'EN SERVENT COMME MARCHEPIED POUR ACCÉDER À LA PISCINE.

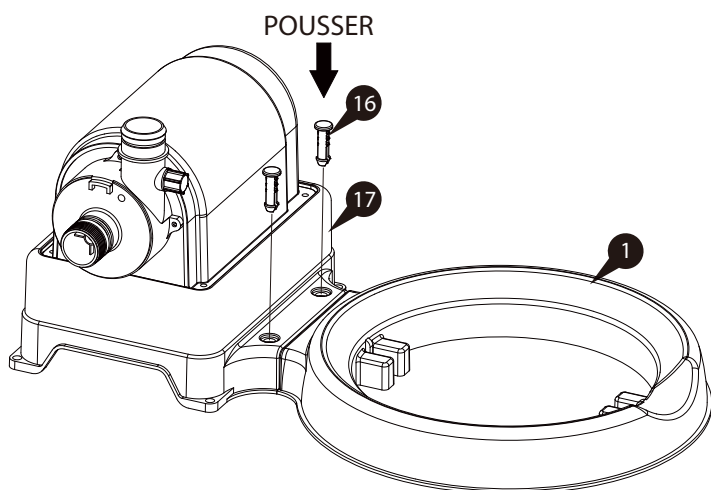
1. Installez la piscine en respectant toutes les instructions fournies avec. Ne procédez pas au remplissage avant que la pompe filtrante ne soit correctement installée. Repérez les ouvertures d'entrée et de sortie d'eau sur la paroi de la piscine.



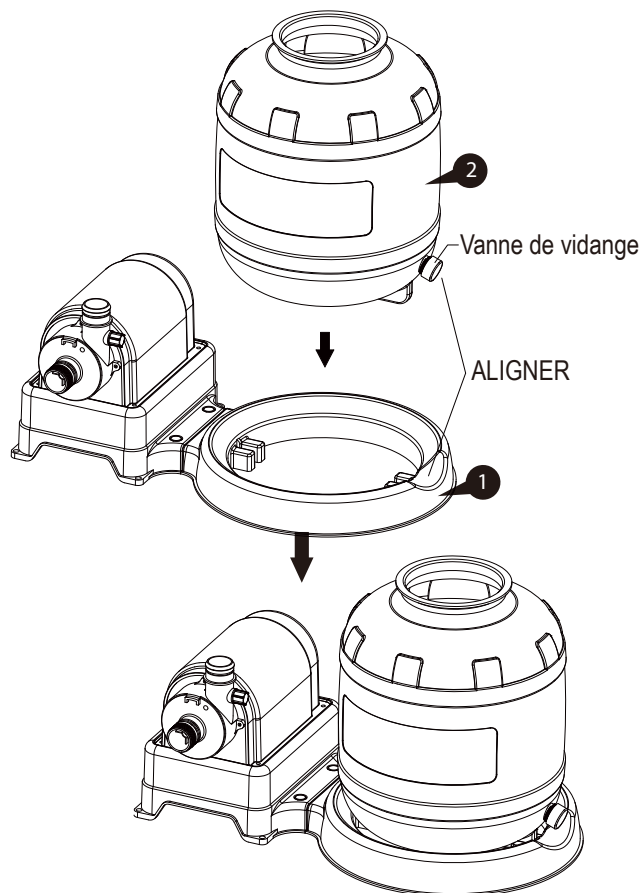
2. Emboîtez la pompe **17** sur la base du réservoir de sable **1**.



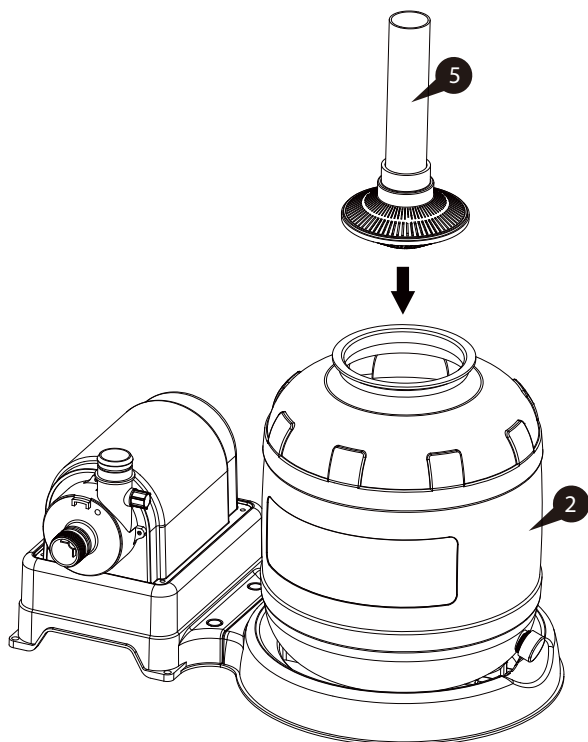
3. Insérez les goupilles de verrouillage **16** et enfoncez-les entièrement pour verrouiller la pompe **17** sur la base du réservoir de sable **1**.



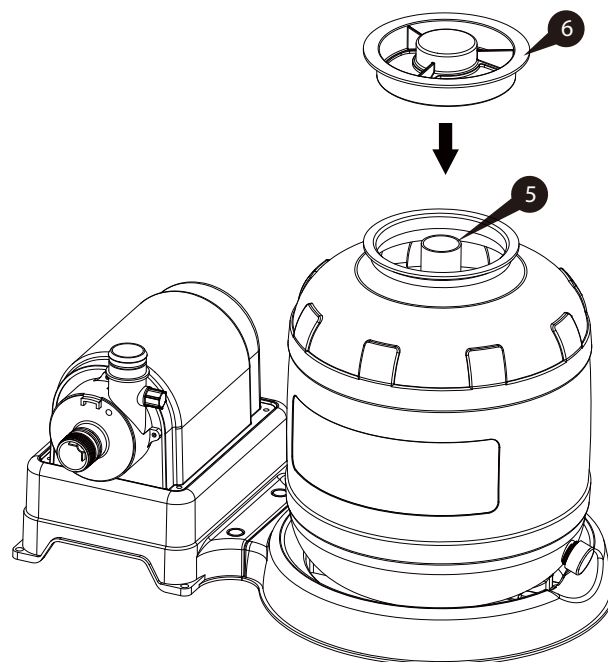
4. Avec la vanne de vidange du réservoir de sable **2** dirigée vers l'extérieur, mettez le réservoir de sable **2** sur sa base **1**.



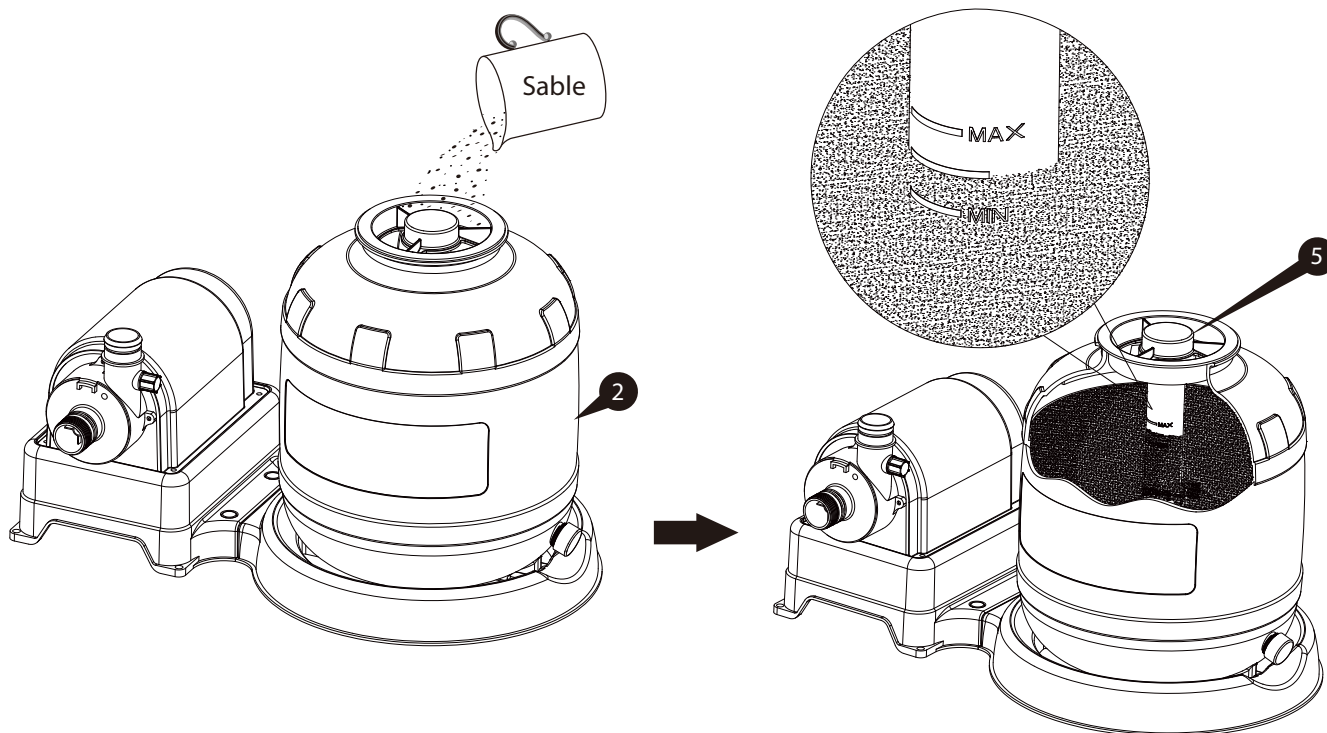
5. Insérez le tube central **5** dans le réservoir de sable **2**.
Laissez le tube central **5** centré dans le réservoir de sable **2**.



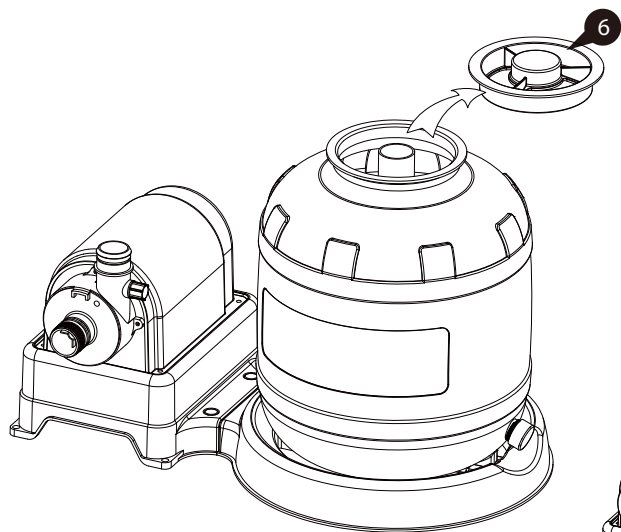
6. Fixez le protège-sable **6** sur l'ouverture supérieure du tube central **5**.



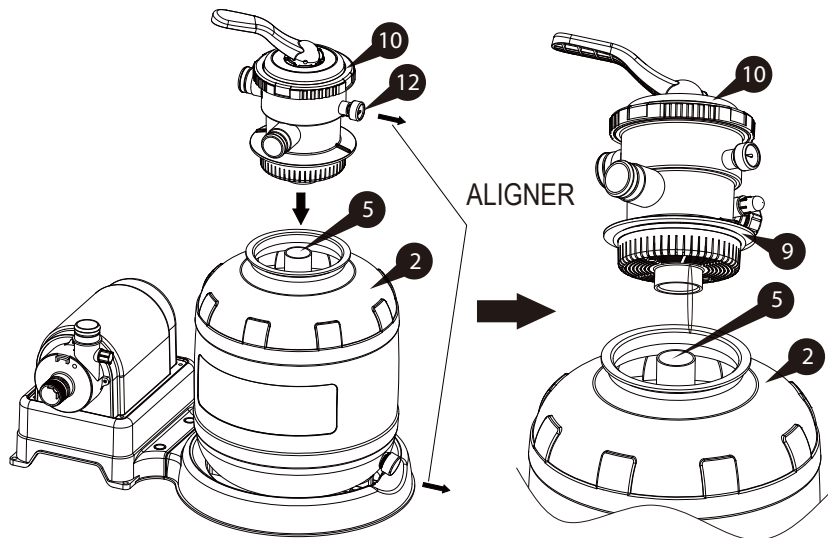
7. Remplissez le réservoir avec du sable siliceux #20. Vous pouvez vous procurer le sable auprès de votre magasin local de bricolage ou de matériaux. Versez lentement le sable dans le réservoir **2** jusqu'à ce que son niveau se trouve entre les repères Min et Max du tube central **5**.



8. Retirez le protège-sable **6** et gardez-le pour plus tard.

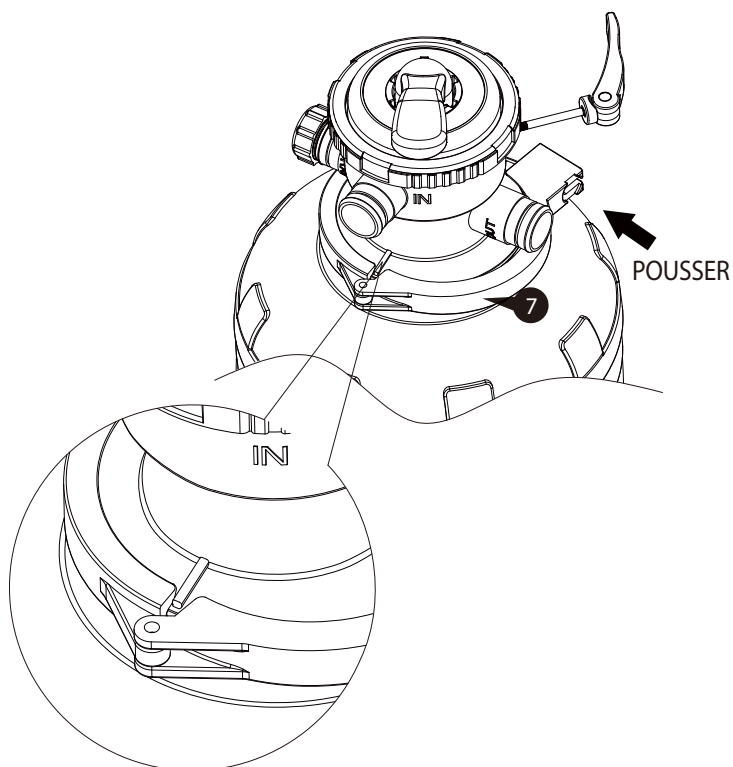
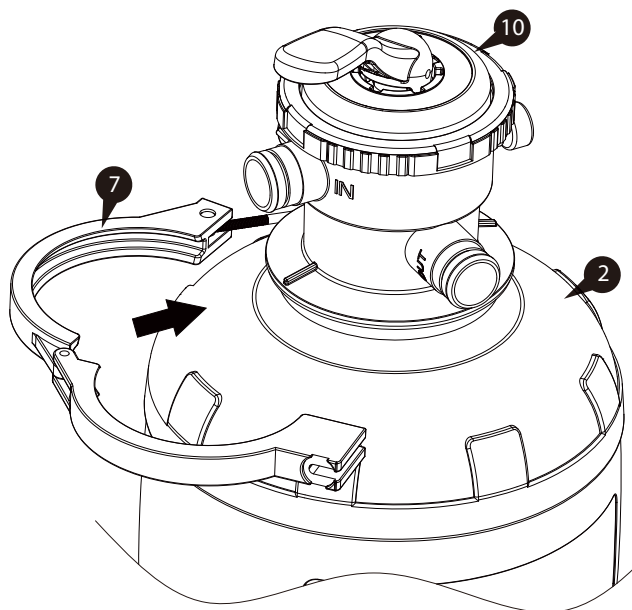


9. Placez la vanne à 6 voies **10** sur le réservoir de sable **2**. Assurez-vous que le joint torique de la vanne à 6 voies **9** se trouve bien sur l'épaulement inférieur de la vanne à 6 voies **10**. Assurez-vous que le tuyau central qui dépasse de la vanne s'adapte bien au tube central **5**. Faites tourner la vanne à 6 voies **10**. De manière à ce que le manomètre **12** soit tourné dans la même direction que la vanne de vidange.

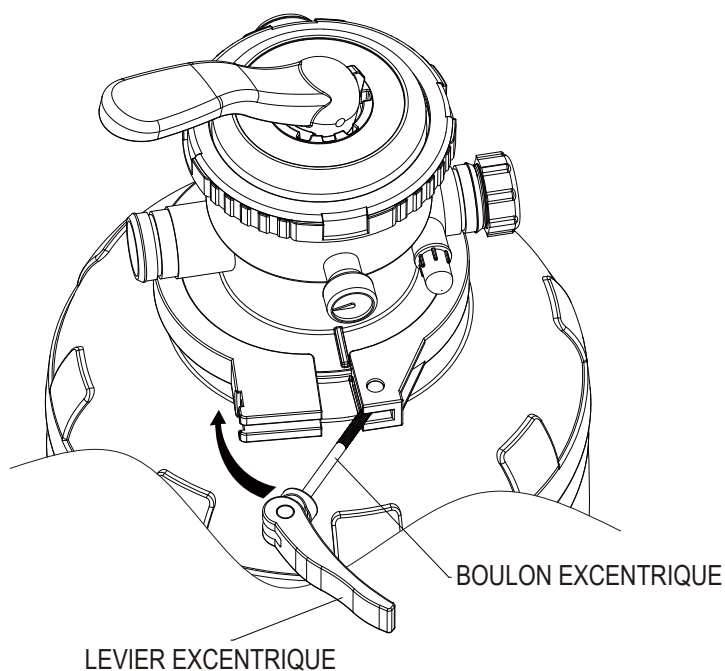


10. Appliquez la bride **7** sur l'épaulement de la vanne à 6 voies **10** et du réservoir de sable **2**.

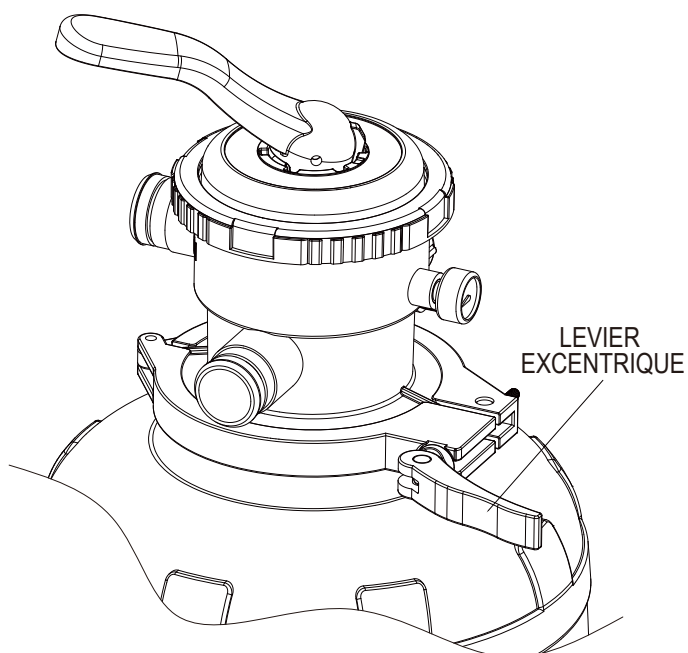
11. Fermez la bride **7** et rapprochez les deux mâchoires le plus possible l'une de l'autre.



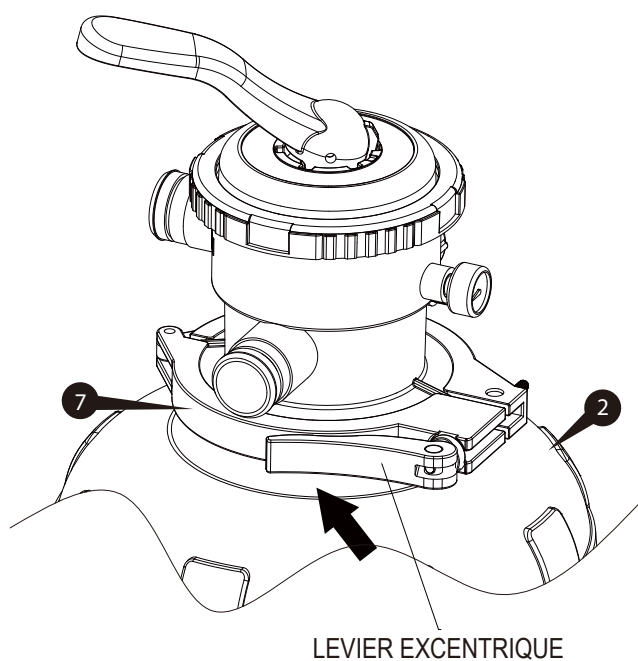
12. Tournez le LEVIER EXCENTRIQUE de manière à ce que le BOULON EXCENTRIQUE s'insère dans la fente de l'autre mâchoire.



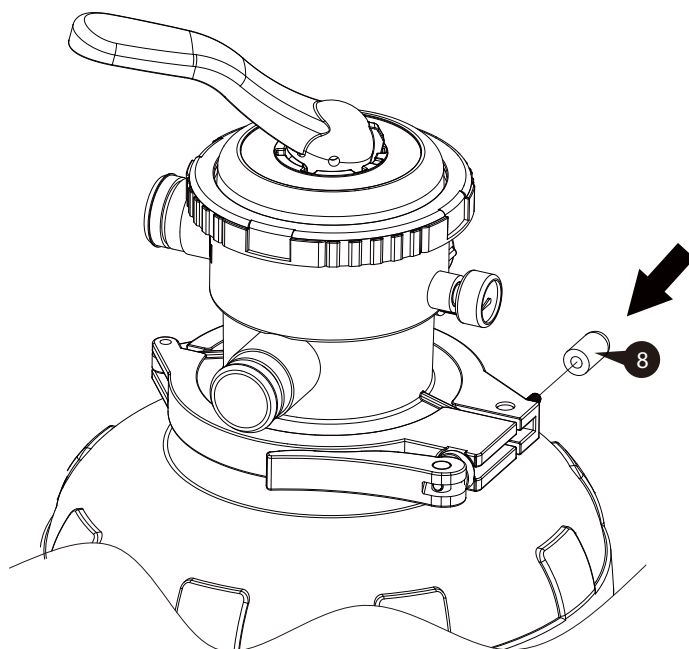
13. Tenez le LEVIER EXCENTRIQUE d'une main et commencez à le tourner dans le sens des aiguilles d'une montre.



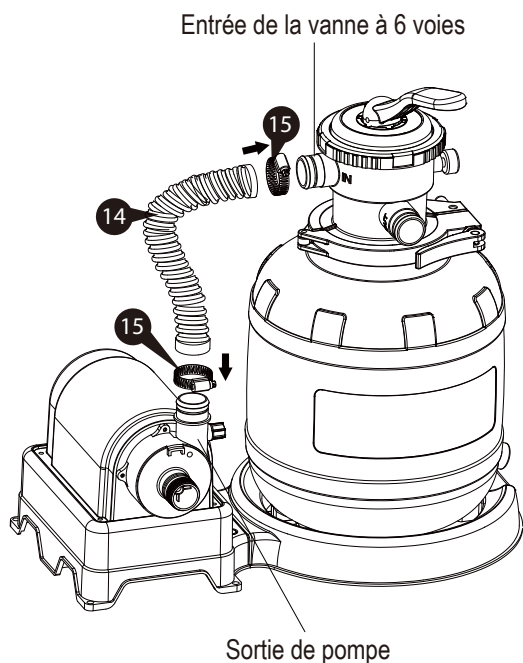
14. Continuez de tourner le LEVIER EXCENTRIQUE pour serrer les mâchoires jusqu'à ce que le levier ne puisse plus tourner. Alignez le LEVIER EXCENTRIQUE avec la bride (7) et poussez le LEVIER EXCENTRIQUE vers le réservoir de sable (2).



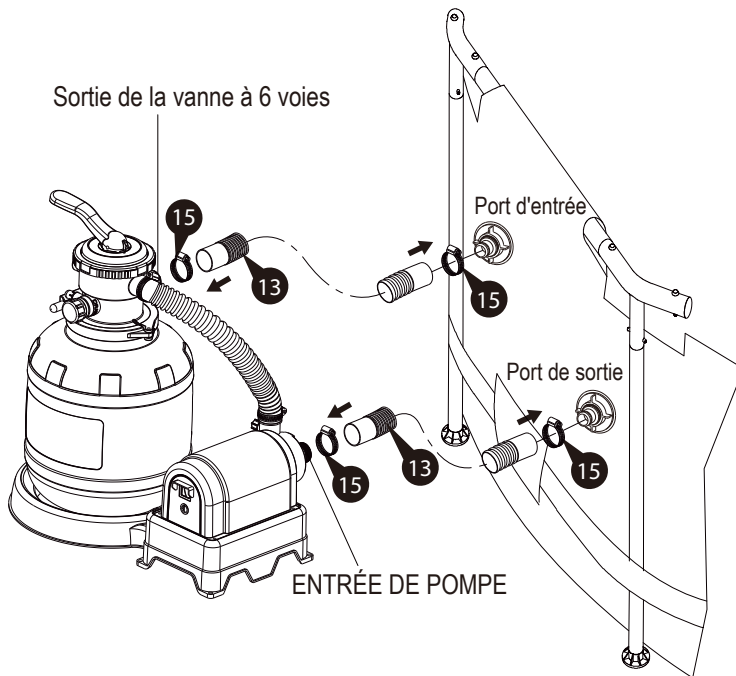
15. Insérez le capuchon du BOULON EXCENTRIQUE (8) dans l'extrémité du BOULON EXCENTRIQUE.



16. Reliez la sortie de la pompe et la vanne à 6 voies à l'aide du tuyau court **14**. Serrez le collier de tuyau **15** à l'aide d'un tournevis droit.



17. Le montage de la pompe filtrante à sable est maintenant terminé. Reliez la pompe à la piscine à l'aide des tuyaux longs **13** fournis avec la pompe. Reliez la sortie de la piscine à l'entrée de la pompe. Serrez le collier de tuyau **15** à l'aide d'un tournevis droit. Reliez la sortie de la vanne à 6 voies à l'entrée de la piscine. Serrez le collier de tuyau **15** à l'aide d'un tournevis droit.



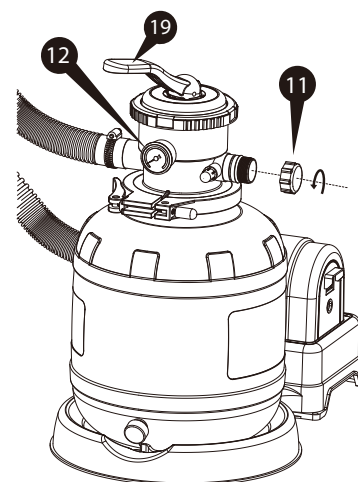
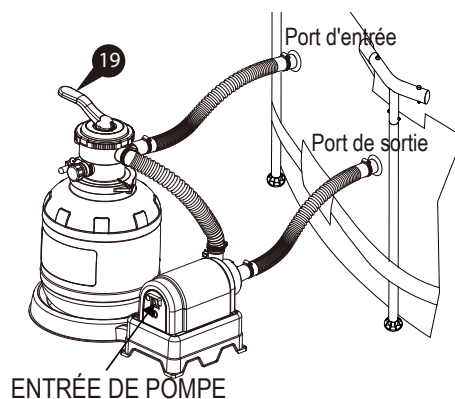
MODE D'EMPLOI

FONCTIONS DE LA VANNE À 6 VOIES

POSITION DE LA VALVE	FONCTION	DIRECTION DE DÉBIT
1 LAVAGE	Inverser le sens de circulation afin de laver le sable. Lavez le sable avant la première utilisation puis toutes les 2 semaines.	Piscine > Pompe > Sable (sens inverse) > Sortie de Vidange
2 RINÇAGE	Pour le lavage initial du sable, et pour égaliser le sable après lavage.	Piscine > Pompe > Sable (sens direct) > Sortie de Vidange
3 FILTRAGE	Filtration normale et aspiration régulière de la piscine.	Piscine > Pompe > Sable (sens direct) > Piscine
ÉGOUT	Pour aspirer directement vers la sortie de vidange et abaisser le niveau d'eau.	Piscine > Pompe > Sortie de Vidange
RECIRCULATION	Faire circuler l'eau dans la piscine sans filtration.	Piscine > Pompe > Piscine
FERMÉ	Fermer toute circulation d'eau entre la piscine et le filtre. N'ALLUMEZ PAS LA POMPE.	Pas de circulation. N'ALLUMEZ PAS LA POMPE.
ZÉRO	Rangement et préparation à l'hiver.	Aucun débit.

IMPORTANT SAFETY INFORMATION

1. Make sure all the Hoses **13** **14** are secured to the fittings on the pump and pool.
2. Always press down the 6-port Valve Handle **19** before switching position.
3. Always turn off the pump power when switching position.
4. It is critical to backwash the sand before using the pump to clean the pool water. This will prevent fine sand to flow into the pool and also wash off any dirt or debris within the sand.
5. Fill the pool until the water level reaches the pool fill line.
6. Follow the following steps to BACKWASH the sand before first use:
 - Remove the 6-Port Valve Drain Outlet Cap **11** from the 6-Port Valve **10**. (Optionally, a 1.5" [38mm] hose can be connected to the drain port to direct the waste water to a nearby drain.)
 - Press down the 6-Port Valve Handle **19** and turn to the "BACKWASH" position.
 - Turn on the power of the Pump **17**.
 - Pool water is now circulating backward through the sand bed to the drain outlet. Continue BACKWASH until the drain water becomes clean and clear.
 - Turn off the Pump **17** and switch the handle to the "RINSE" position. Turn on the Pump **17** for ONE minute, this will clean up and level out the sand bed. Turn off the Pump **17** when done.
7. To start filtering the pool, turn the 6-Port Valve Handle **19** to the "FILTER" position and then switch on the Pump **17**. Record down the sand tank pressure ready from the Pressure Gauge **12**. This reading indicates the initial tank pressure when the sand bed is clean.
8. BACKWASH the tank when the pressure is 1-1.5 bar (14.5 - 21.8 Psi) above the initial pressure. Or, BACKWASH the sand filter once every TWO weeks to maintain water cleanliness.



PROTECTION DU MOTEUR DE LA POMPE

IMPORTANT ! Votre pompe filtrante est équipée d'un interrupteur de protection thermique. Cet interrupteur mesure la température de la pompe filtrante. Si elle chauffe trop, l'interrupteur l'arrête jusqu'à ce qu'elle refroidisse. Le courant est automatiquement rétabli une fois la pompe refroidie. Ceci est un dispositif de sécurité permettant de protéger la pompe et de prolonger sa durée de vie. Si votre pompe s'arrête automatiquement, cela est dû à une température élevée de l'eau de la piscine et/ou à un faible débit de l'eau passant dans la pompe. Si cela se produit, vous devez vérifier le débit et effectuer les éventuelles corrections nécessaires, cette pompe utilisant le courant d'eau pour son refroidissement. Vous pouvez aussi faire fonctionner la pompe de nuit, quand la température de l'eau est plus basse.

ENTRETIEN DE LA POMPE

1. LAVEZ le sable lorsque la pression indiquée par le manomètre est de 1-1,5 bar (14.5 - 21.8 Psi) supérieure à la pression initiale ; sinon, LAVEZ le sable au moins toutes les DEUX semaines.
2. En fin de saison, jetez tout le sable, lavez soigneusement les éléments de la pompe, le réservoir de sable et la vanne à 6 voies à l'eau douce avant de les ranger. Remplissez le réservoir avec du sable neuf au début de la saison d'utilisation de la piscine.
3. Vérifiez et ajustez tous les jours le pH et le niveau de chlore à l'aide des produits chimiques adéquats. Voir section "ENTRETIEN DE L'EAU DE LA PISCINE" ci-après.
4. Vérifiez tous les jours le débit de la pompe. Si le débit diminue, voir section "GUIDE DE DÉPANNAGE" ci-après.
5. Vérifiez les éventuelles fuites au niveau des tuyaux, des raccords et de la pompe elle-même. En cas de fuite, voir section "GUIDE DE DÉPANNAGE" ci-après.
6. Vérifiez régulièrement les coutures de la piscine. Des réparations mineures peuvent être effectuées avec le kit de rustines (fourni avec la piscine). Des pièces rapportées supplémentaires sont disponibles auprès de Polygroup® ou de votre fournisseur local de produits de piscines.

ENTRETIEN DE L'EAU DE LA PISCINE

1. Les éléments suivants sont requis et disponibles auprès de votre fournisseur local de produits de piscines :
 - KIT DE TEST - pour vérifier le pH et le niveau de chlore.
 - TABLETTES DE CHLORE 2,5cm - pour désinfecter l'eau de la piscine et contrôler l'apparition d'algues.
 - PRODUITS CHIMIQUES D'AJUSTEMENT DU pH - pour ajuster le pH vers le haut (soude) ou vers le bas (acide).
 - ALGICIDES - pour éliminer les algues.
 - CHLORE CHOC - pour détruire le chlore combiné, l'ammoniaque, l'azote et les composés organiques.
 - FILET À FEUILLES avec manche - pour retirer les feuilles, les débris, les insectes etc. de la piscine.
 - DISTRIBUTEUR DE CHLORE (disponible dans la plupart des magasins d'articles de piscine).

2. Utilisez tous les jours le kit de test pour vérifier le pH et le niveau de chlore. Effectuez les ajustements nécessaires à l'aide des produits chimiques requis.

REMARQUE: Un niveau excessif de chlore ou un pH trop bas sont susceptibles d'endommager le liner de la piscine.

3. La piscine peut être nettoyée à l'aide d'une pompe fonctionnant avec un tuyau d'arrosage fournie par Polygroup® ou par un magasin de produits de piscine.
4. L'utilisation d'un pédiluve près de la piscine pour vous laver les pieds avant de pénétrer dans la piscine aidera à la garder propre.
5. L'eau des puits présente souvent des problèmes liés à ses caractéristiques chimiques. Si vous devez utiliser l'eau d'un puits, apportez un échantillon d'eau à votre fournisseur local de produits de piscine pour le faire analyser avant d'ajouter quelque produit chimique que ce soit.
6. Reportez-vous au MODE D'EMPLOI DE LA PISCINE pour connaître la capacité de votre piscine. Vous aurez besoin de cette information pour déterminer la quantité de produits chimiques dont vous aurez besoin pour ajuster l'eau de la piscine.

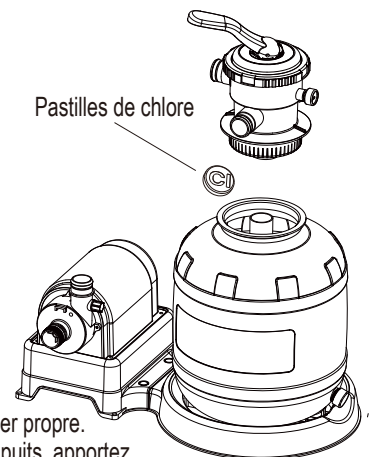
REMARQUE: Il est recommandé d'utiliser un seau d'environ 20 litres d'eau pour mélanger et dissoudre les produits chimiques avant de les mettre directement dans la piscine. Suivez les indications des étiquettes des fabricants de produits chimiques.

- La plupart des fournisseurs de produits de piscine testeront votre eau gratuitement et vous conseilleront sur les produits dont vous avez besoin ainsi que sur les quantités à utiliser. Il vous faudra leur indiquer la capacité de votre piscine en litres.
7. **IMPORTANT:** Nous insistons très fortement sur la nécessité d'un traitement chimique adéquat de l'eau de façon quotidienne. Les niveaux de chlore et de pH doivent être maintenus en permanence à des niveaux corrects. LA POMPE ET LE FILTRE NE SUFFISENT PAS À EUX SEULS À ÉVITER LA FORMATION D'ALGUES DANS L'EAU DE LA PISCINE ; POUR CELA, IL VOUS FAUDRA MAINTENIR UN NIVEAU DE CHLORE ET DE PH CORRECTS EN PERMANENCE.
 - Maintenez le pH entre 7.3 et 7.8.
 - Maintenez le niveau de chlore entre 1.0 et 1.6 ppm (parties par million).
 - Faites un traitement au chlore choc au moins toutes les deux semaines.

REMARQUE:

1. Un temps chaud ou une utilisation très fréquente de la piscine peuvent nécessiter des niveaux de pH et de chlore en haut de la fourchette, auquel cas il peut être nécessaire de procéder à un traitement au chlore choc toutes les semaines.
2. L'utilisation d'une couverture de piscine et/ou d'une couverture solaire vous aidera à maintenir un niveau correct de pH et de chlore en réduisant l'évaporation de l'eau de la piscine.

ATTENTION: Une forte concentration en chlore et un pH bas sont de nature à endommager la piscine.. Il est impératif de respecter les instructions concernant la quantité et l'utilisation recommandée des produits chimiques utilisés. Ne faites JAMAIS tomber des morceaux ou des granulés de produits chimiques dans la piscine, cela constituerait un danger pour les nageurs et/ou endommagerait votre liner.



GUIDE DE DÉPANNAGE

⚠ ATTENTION: DÉBRANCHEZ LA POMPE FILTRANTE AVANT TOUTE TENTATIVE DE DÉPANNAGE.

PROBLÈME	CAUSE	SOLUTION
1 Le moteur de la pompe ne démarre pas	A The motor is not plugged in. Or not activated	A Power cord must be plugged into a grounded power outlet.
	B Low voltage	B Check the line voltage, it must be in the range of 105 to 125V.
	C Plug and/or circuit breaker tripped	C Reset the plug and/or circuit breaker. If problem persists, have the circuit checked by a qualified electrician.
	D Le moteur est trop chaud et la protection antisurcharge s'est déclenchée.	D Laissez le moteur refroidir puis remettez-le en marche.
2 Le filtre à sable ne nettoie pas la piscine	A Niveaux de chlore ou de pH incorrects	A Ajustez les niveaux de chlore et de pH. Consultez votre fournisseur local de produits pour piscines.
	B Pas de matière filtrante dans le réservoir.	B Remplissez le réservoir avec du sable de filtrage, voir "instructions de remplissage en sable".
	C Mauvaise position de la vanne à 6 voies.	C Mettez la vanne en position "FILTRATION".
	D Piscine excessivement sale.	D Faites fonctionner le filtre sur des durées plus longues.
	E Raccords obstrués limitant le débit d'eau.	E Nettoyez la crépine du raccord de sortie de la piscine
3 Le filtre à sable ne pompe pas l'eau ou le débit est très faible	A Entrée ou sortie bouchées.	A Enlevez les éventuelles obstructions au niveau du raccord de sortie de la piscine ou du raccord d'entrée de la pompe.
	B Prise d'air au niveau de la ligne d'entrée.	B Enlevez les éventuelles obstructions au niveau du raccord de sortie de la piscine ou du raccord d'entrée de la pompe.
	C Sable obstrué par des saletés.	C Lavez le sable plus souvent.
	D Sable obstrué par des saletés.	D Remplacez environ 25 mm de sable. Remplacez tout le sable si le problème persiste.
	E Système d'aspiration de piscine relié au système.	E Retirez tout système d'aspiration de piscine relié au système de filtration.
4 La pompe ne marche pas	A Niveau d'eau trop bas.	A Remplissez la piscine pour corriger le manque d'eau.
	B Crépine obstruée.	B Remplissez la piscine pour corriger le manque d'eau.
	C Prise d'air au niveau du tuyau d'entrée.	C Serrez les colliers du tuyau, vérifiez qu'il est en bon état.
	D Moteur défectueux ou turbine coincée.	D Prenez contact avec le service après vente.
5 Fuite au niveau de la vanne à 6 voies/du couvercle	A Joint torique du réservoir de sable manquant.	A Retirez la vanne à 6 voies et vérifiez que le joint torique est bien là.
	B Joint torique du réservoir de sable encrassé.	B Nettoyez le joint torique du réservoir de sable à l'aide d'un tuyau d'arrosage.
	C Colliers de tuyau mal serrés.	C Serrez les colliers.
	D Vanne à 6 voies endommagée.	D Prenez contact avec le service après vente.
6 Fuite au niveau du tuyau	A Colliers de tuyau mal serrés.	A Resserrez/remettez en place les colliers de tuyau.
	B Joint torique de raccord de tuyau manquant.	B Assurez-vous que le joint torique est en place et en bon état.
7 Le manomètre ne fonctionne pas	A Entrée du manomètre bouchée.	A Nettoyez tout élément obstruant l'entrée en la dévissant de la vanne à 6 voies.
	B Manomètre endommagé.	B Prenez contact avec le service après vente.
8 Le sable reflue vers la piscine	A Le sable est trop fin.	A N'utilisez que du sable siliceux #20 d'une taille de particules de 0,45 à 0,85 mm avec un coefficient d'uniformité inférieur à 1.75.
	B Le sable est calcifié.	B Jetez tout le sable usagé et remplacez-le par du sable neuf.

INFORMATIONS POUR LES COMMANDES DE PIÈCES DE RECHANGE

Touche#	Description	ST1100	ST1600
		PIÈCE #	PIÈCE #
1	Base du réservoir de sable	P58PP2884A09	P58PP1782E09
2	Réservoir de sable	P58000001W05	P58000000W05
3	Bouchon de vidange	P58PF0800W05	P58PF0800W05
4	6-Port valve Drain Outlet Window	P58PF8960C01	P58PF8960C01
5	Tube central	P586402001W1	P586402000W1
6	Protège-sable	P58PF8891P01	P58PF8891P01
7	Bride	P58897023E09	P58897023E09
8	Capuchon du BOULON EXCENTRIQUE	P58PP2021K01	P58PP2021K01
9	Joint torique de la vanne à 6 voies	P58135001K01	P58135001K01
10	Vanne à 6 voies	P58PF8880E09	P58PF8880E09
11	Bouchon de vidange de la vanne à 6 voies	P58PF8910E09	P58PF8910E09
12	Manomètre	P58340000000	P58340000000
13	59" Hose	P584150006W1	P584150006W1
14	ST1100 14" Hose		P584150014W1
	ST1600 12" Hose	P584150012W1	
15	Collier de serrage de tuyau	P5842504500A	P5842504500A
16	Goupille de verrouillage	P58PP1759E09	P58PP1759E09
17	Pompe	P530C200SNW5	P530C200SNW5
18	Joint torique raccord 1,5"	P58037000K01	P58037000K01
19	Levier de la vanne à 6 voies	P58PF8950E09	P58PF8950E09

INFORMATIONS POUR LES COMMANDES DE PIÈCES DE RECHANGE

1. First, unplug the Power Cord of the system.
2. Desserrez tous les colliers de serrage 15. Enlevez le tuyau 13 14 et laissez l'eau s'écouler.
3. Remove Drain Valve Cap 3 from the Sand Tank 2 and allow water to drain out, and the tighter back the Drain Valve Cap 3 onto the drain valve on the Sand Tank 2.
4. Nettoyez et graissez les joints toriques des raccords 18 avec de la vaseline.

SERVICE APRÈS VENTE

COUNTRIES / REGIONS	SERVICE CENTER LOCATIONS
United Kingdom	<p>Telephone: 44(0) 1702208172</p> <p>Address: Geemac sales & Marketing Limited 12 Eldon Way Hockley Essex SS5 4AD</p>
France	<p>Telephone: 33(0) 969360535</p>
Spain	<p>Telephone: 0902848775</p>
Italy	<p>Telephone: 0800788298</p> <p>Address: 12 Eldon Way Hockley Essex</p>
Germany	<p>Telephone: 49(0) 6218455210</p> <p>Address: Germany Sales & Service Office RMS GmbH Besselstr.25, 68219 Mannheim Service@rms-gruppe.de</p>
Australia and Islands	<p>Telephone: 1800-451-190</p>
<p>For answers to most frequently asked questions, please visit https://polygroup.zendesk.com/hc/en-us</p>	