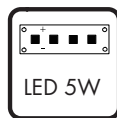
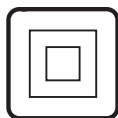
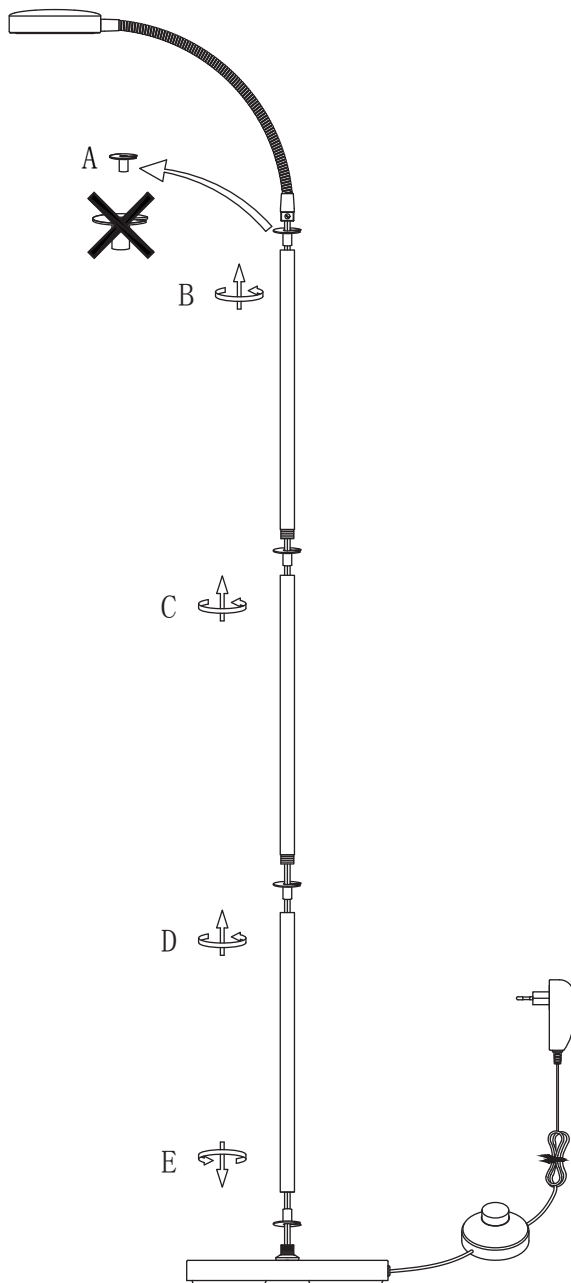


# INSTRUCTION MANUAL

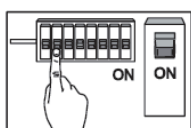
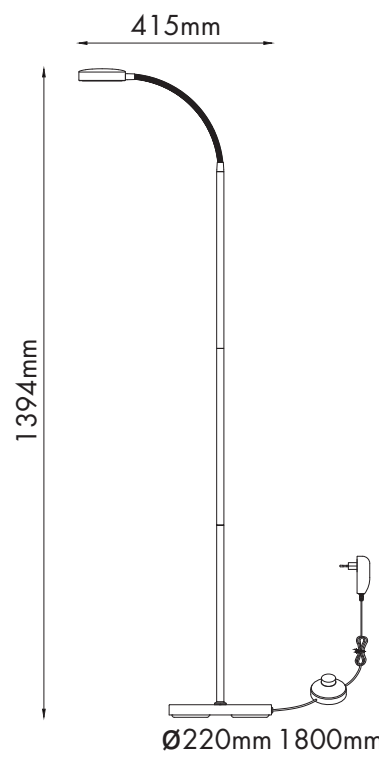


Trax FL Black  
99254



Floor lamp  
incl. LED QL7001067  
540lm Module  
397lm Lamp  
5W LED  
220-240V~50Hz  
2700K  
CRI>80  
30000 h  
15000 ON/OFF

Overall Sizes:



**FittinQ B.V.**

Smaragdweg 52, 5527 LB Hapert, The Netherlands  
www.qazqa.nl

QAZQA