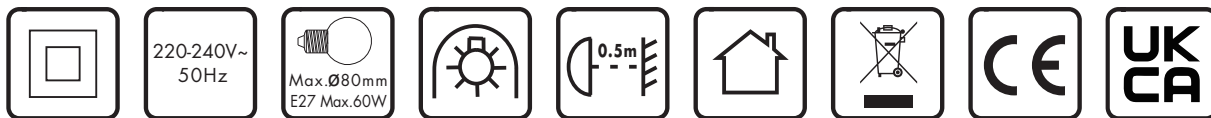
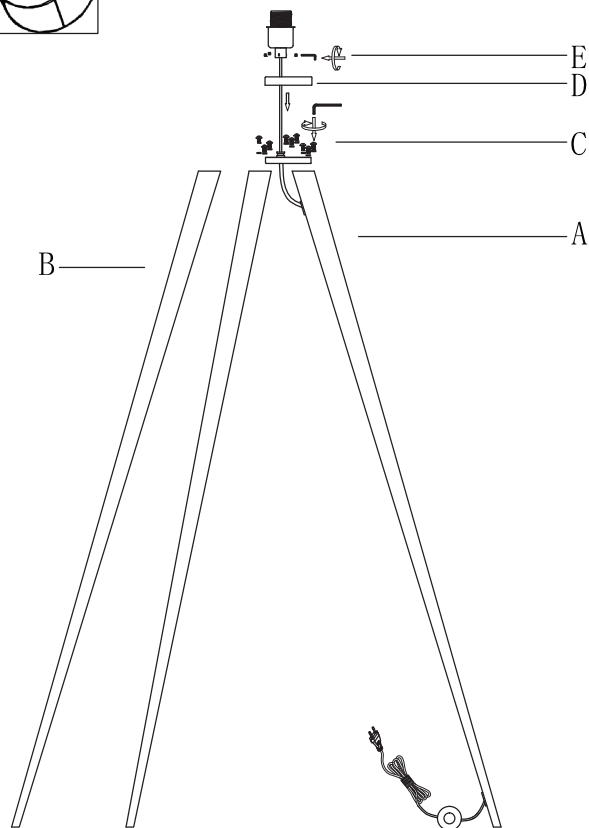
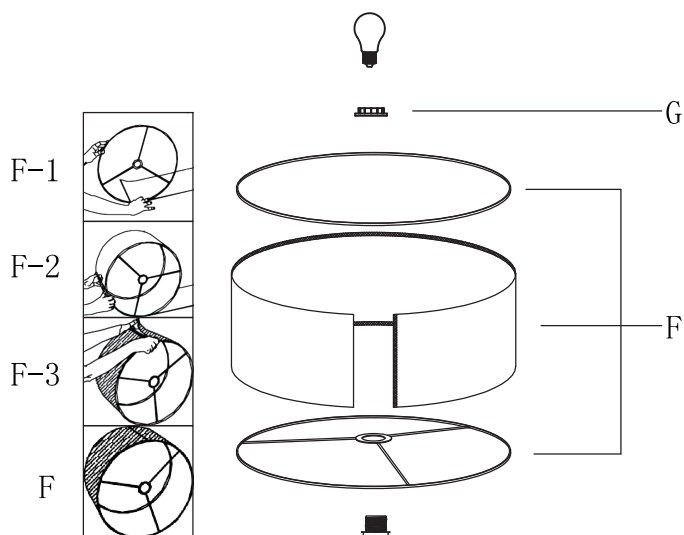


INSTRUCTION MANUAL



Tripe FL
93701/93702/93703



Overall Sizes:

