

INSTRUCTION MANUAL

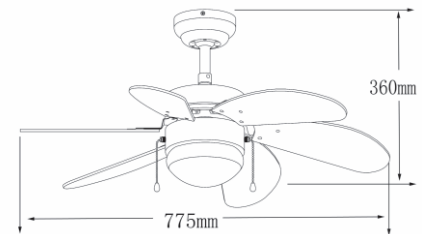
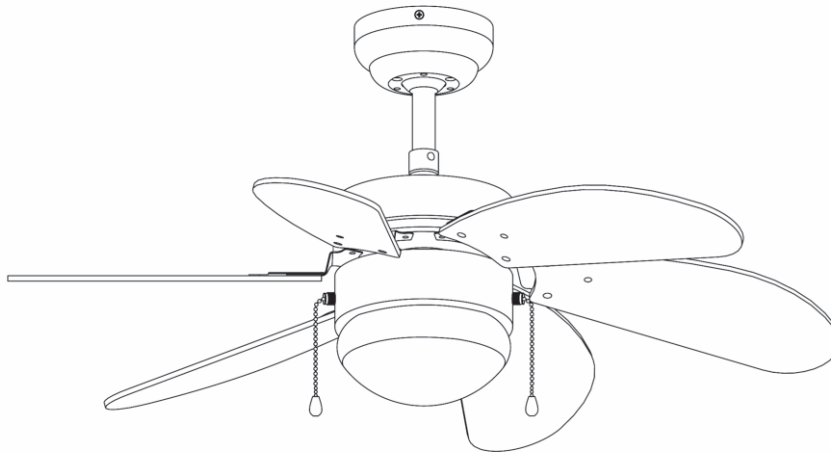
Fresh Fan 30

92642/92643/92644



1XE14
MAX.60W

220-240V
50HZ



FittinQ B.V.

Smaragdweg 52, 5527 LB Hapert, The Netherlands

www.qazqa.nl

QAZQA

1. Warning Symbols



Read the instructions



Caution



Lamp

EN

2. General Safety Instructions



Read this instruction manual thoroughly before using the appliance and save it for future reference and if necessary pass the instruction manual on to a third party.


WARNING: When using electrical appliance, basic safety precautions should always be followed to reduce the risk of fire, electrical shock and personal injury.

FittinQ B.V.

Smaragdweg 52, 5527 LB Hapert, The Netherlands
www.qazqa.nl

QAZQA

1) General

- Before carrying out any work on the fan, disconnect it from the electrical supply!
- Check if the electrical specifications of this appliance are compatible with your installation. The supplier accepts no responsibility for any physical injury or material damage resulting from incorrect use or installation of this fan. If you have the slightest doubt, please contact electrician.
- Unauthorized use and technical modifications to the appliance can lead to danger to life and health.
- This appliance can be used by children aged from 8 years and above and persons with reduced physical, sensory or mental capabilities or lack of experience and knowledge if they have been given supervision or instruction concerning use of the appliance in a safe way and understand the hazards involved. Children shall not play with the appliance. Cleaning and user maintenance shall not be made by children without supervision
- Children should be supervised to ensure that they do not play with the appliance.
- This appliance is for indoor use only.
- Means for disconnection must be incorporated in the fixed wiring in accordance with the wiring rules.
- Never install the appliance in a moist or wet room.
- Be careful when working near the rotating blades. The fan should be installed at least a height of 2.3m
- Before pushing the reversible slide switch, it is necessary to stop the action of the blades by turning off the fan
- Don't place your arm or other object in the path of the blades, when the fan is operating.
-  **0.2m** Always maintain the minimum distance between the lamp and any inflammable material (curtains, wall etc), as indicated on the pictogram
- Means for all poles disconnection having a contact separation that provide full disconnection under over voltage category III conditions must be incorporated in the fixed wiring in accordance with national wiring rules.
- Power supply wire from ceiling needs 1.5 sq mm wire
- Regarding the method of the cable connection , assembly steps and the bulb type of the luminaire, please refer to the section "INSTALLATION"
- **Warning:** Before obtaining access to terminals, all supply circuits must be disconnected.

FittinQ B.V.

Smaragdweg 52, 5527 LB Hapert, The Netherlands
www.qazqa.nl

QAZQA



2) Electrical Safety

The appliance should be installed by authorized electrician only acc. to national wiring rules.

3) Specific Safety Rules

The fan is to be installed so that the blades are more than 2.3 m above the floor

3. Environmental Protection

CAUTION!

Electrical products must not be thrown out with domestic waste. They must be taken to a communal collecting point for environmentally friendly disposal in accordance with local regulations. Contact your local authorities or stockist for advice on recycling. The packaging material is recyclable. Dispose of the packaging in an environmentally friendly manner and make it available for the recyclable material collection-service.



4. Appliance Specifications

| TECHNICAL CHARACTERISTICS | |
|-------------------------------|----------------|
| Rated voltage | 220-240 V |
| Rated frequency | 50 Hz |
| Rated wattage | 50 W |
| Bulb rating | E14 1x60W Max. |
| Ambient operating temperature | 25 °C |
| Protection class | I |
| IP number | IPX0 |
| Protective shields | N/A |

FittinQ B.V.

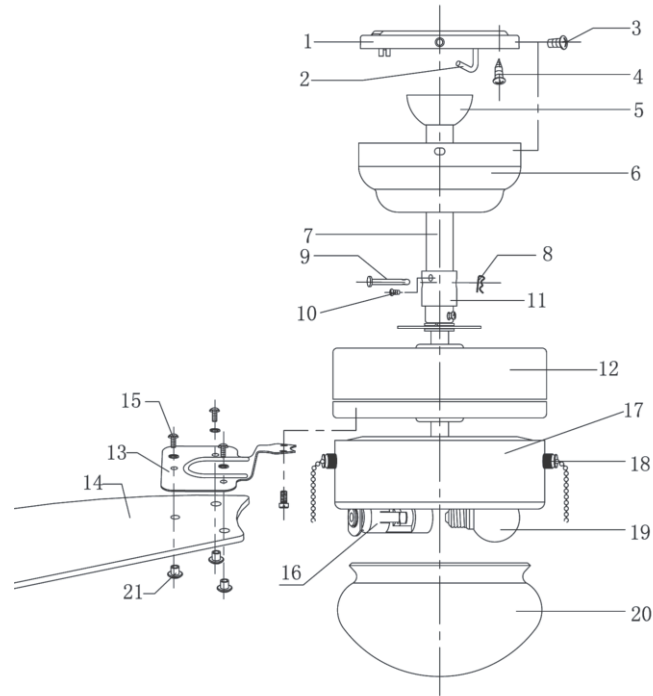
Smaragdweg 52, 5527 LB Hapert, The Netherlands
www.qazqa.nl

QAZQA

5. The Ceiling Fan (element)

PARTS DESCRIPTION

1. MOUNTING PLATE
2. J HOOK (FOR TEMPORARILY HANG UP THE FAN WHEN WIRING CONNECTION)
3. SCREWS
4. SCREWS
5. HANGER BALL
6. UPPER CANOPY
7. DOWNROD
8. COTTER PIN
9. CROSS PIN
10. SCREWS
11. DOWNROD YOKE
12. MOTOR
13. BLADE HOLDERS
14. BLADE
15. BLADE HOLDER SCREWS
16. LAMP HOLDER
17. LIGHT PLATE
18. PULL CHAIN
19. LIGHT BULB(Not provided)
20. GLOBE
21. BLADE SCREWS



FittinQ B.V.

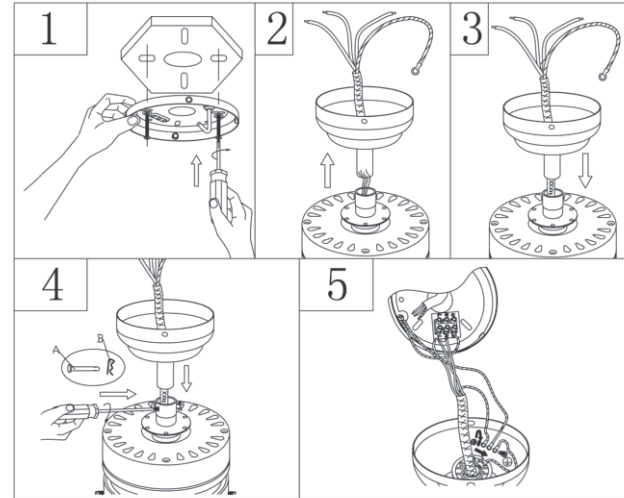
Smaragdweg 52, 5527 LB Hapert, The Netherlands
www.qazqa.nl

QAZQA



6. Installation Of the Ceiling Fan

1. Install the mounting plate by screw (Fig.1)
2. Insert downrod over upper canopy (Fig 2 3)
3. Then, insert the cross pin over yoke and Cotter pin(Fig 4)
4. Connect the wire as the fig show (Fig 5)




EN

FittinQ B.V.

Smaragdweg 52, 5527 LB Hapert, The Netherlands
www.qazqa.nl

QAZQA

5. Make sure the wiring correct, if you are not sure, pls consult qualified electrician (Fig.6)

| | |
|---------------------|---|
| Black +Brown wire | "L" |
| Blue wire | "N" |
| Green & yellow wire |  |

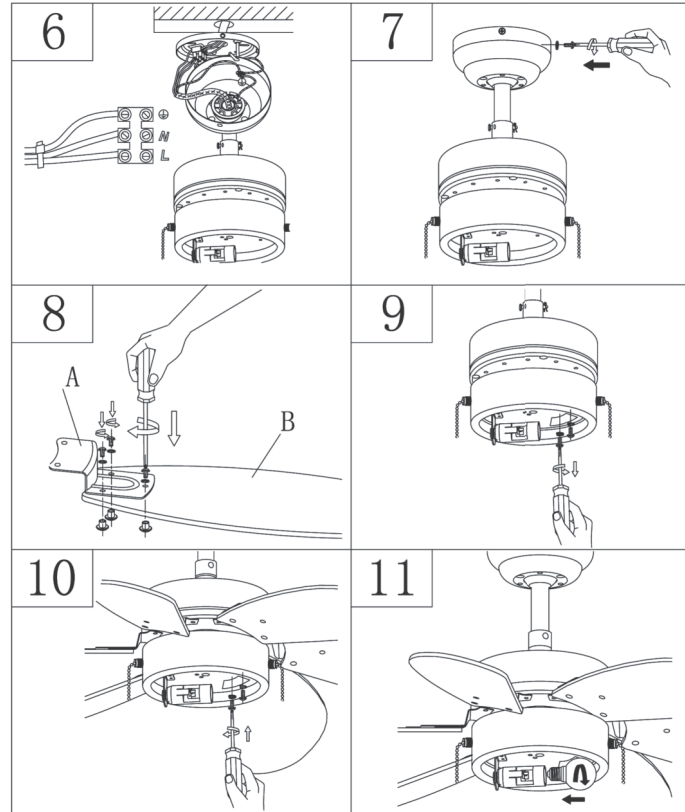
6. Hang up the fan and assemble the mounting plate with the motor set by 4 side screws (Fig 7)

7. Assemble the blades to blade holders (Fig 8)

8. Loose the screw before install the blade (Fig 9)

9. Tighted up the screws after install the blade.(Fig 10)

10. Install the light bulb (not provided), .(Fig 11)



Fittinq B.V.

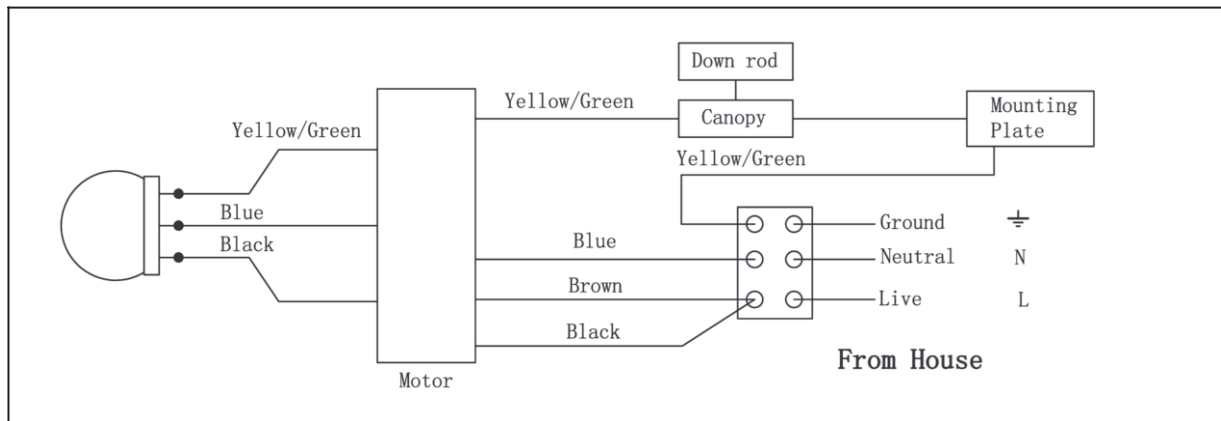
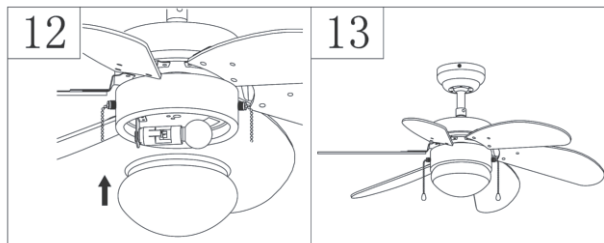
Smaragdweg 52, 5527 LB Hapert, The Netherlands
www.qazqa.nl

QAZQA





11. Install the glass (Fig 12)
12. Now, the fan is completed (Fig 13)



If the fan or light kit is PARTIALLY pre-assembled, you can skip the assembly procedures to next step

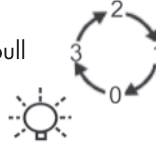
FittinQ B.V.

Smaragdweg 52, 5527 LB Hapert, The Netherlands
www.qazqa.nl



7. How To Use

- One pull chain switch is for light control, another one for speed control
- The speed can be selected by pressing the speed chain
HI-1st pull, MED -2nd pull, LOW -3rd pull, OFF-4th pull



- Light on off can be controlled by pressing the light chain
ON-1st pull, OFF-2nd pull



- Direction switch on the fan 's switch box(SUMMER and WINTER switch)
- Left for summer make the air movement directly from ceiling
- Right for winter, to circulate the warm air generated by heater to floor



8. Remote Control (remote control adaptable, but is not included in this model)

This ceiling fan can be installed with remote control, but make sure you know how to install the device in safe way or consult licensed electrician

Warranty may be affected if you install the improper remote control or install it in improper way

9. Disconnect From Mains Before Maintenance Or Cleaning.

Do not use a wet sponge to clean the appliance.

1. Before conducting any cleaning or maintenance work, disconnect the lamp from the electrical supply and wait until it cools down
2. No abrasive products, solvents, detergent or any other liquid may be used to clean the fan or lamp
3. Be sure the power is off when you clean the fan
4. Don't clean the motor, switch house and other electric parts of the fan with water in order to avoid short circuit

Fittinq B.V.

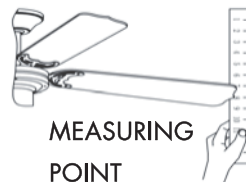
Smaragdweg 52, 5527 LB Hapert, The Netherlands
www.qazqa.nl



10. Trouble Shooting

| TROUBLE | PROBABLE CAUSES | SUGGESTED REMEDY |
|-----------------------|--|--|
| 1. Fan will not start | A/ Fuse or circuit breaker blown. B/ Loose power line connections to the fan. C/ Speed controller not in correct position. | A/ Check main and branch circuit fuses or circuit breakers. B/ Check line wire connections to fan C/ Check speed controller's position. |
| 2. Fan sound noisy | A/ Top canopy touching ceiling. B/ Loose fan blade screws. C/ Ceiling fan not secured against ceiling. D/ Incorrect speed controller. | A/ Lower Canopy from ceiling to ensure minimum 3 mm clearance. B/ Re-tighten all screws on fan blades but never over-tighten. C/ Re-tighten all screws in the hanging bracket or plate. D/ Change the controller to the one supplied. |
| 3. Mechanical Noise | A/ Allow at least for 8 hours settling-in period. | |
| 4. Fan Wobbles | A/ Fan blades are not horizontal to ceiling. B/ Blade screws are loose. | A/ Measure from ceiling to tip of blades, then rotate fan so all blades are checked for equal height from ceiling (no adjustments may be made by slight pressure up or down on blade holders). Make sure all screws are securely fastened. |

DYNAMIC BLADE BALANCE KIT YARDSTICK



FittinQ B.V.

Smaragdweg 52, 5527 LB Hapert, The Netherlands
www.qazqa.nl

QAZQA

PREFACE

Your ceiling fan may sometimes have wobble problem when operate due to irregularity in blades or the blade holder. Also, improper assembly in the mounting system may cause some additional problem also bearing crooked. The following procedure to remedy such problem is strongly recommended by us from our past experience in handling the wobble problem.

Dynamic blade balancing kit for ceiling fans

1. **M**ake sure that all blade are firmly screwed into the blade holder
2. **M**ake sure that all blades are firmly secured with the flywheel and pitches of blade holders are the same
3. **B**y looking up the fan from below, check and be certain that none of the blade holders are bent so that none of the blade is out of position. A correction can be made by very gently bending the blade holder back into position
4. **B**y the simple use of a household yardstick blade tracking can be checked, out the yardstick up against the ceiling vertically and even with the outside leading edge of a blade. Note the distance of the edges of the blade to the ceiling; carefully turn the blade slowly by hand to check the remaining blades. If blade is not in alignment, the blade holder may be gently bent up or down to be in line with the other blades

If by following all the steps and the wobble problem is not solved, a dynamic balancing need to be done by the use of the balancing kit. Follow the procedure listed below:

- **T**urn the fan on and adjust the speed control (usually high speed) setting to the speed, which creates to greatest wobble.
- **T**urn the fan off; select on blade place the balance clip on it. Halfway between the blade holder and the blade up on the rear edge of the blade.
- **T**urn the fan on, watch to see if the wobble is improved or worse. Then, turn the fan off again and move the clip to another blade and test again. Repeat this process with all blades and then note that which blade is the most improved.
- **M**ove the clip back to the blade, which showed the most improvement. Move the clip inward and outward on this blade and operate the fan to find the position where the clip gives the most improvement
- **N**ext remove the clip and install a balancing weight to the top of the blade along the centerline near the point where the clip was positioned.

Cauti**o**n: stay clear of the blades if the clip for any reason is not secured, injury could result

11. Others

Have your product repaired by a qualified person

This electric product is in accordance with the relevant safety requirements. Repairs should only be carried out by qualified persons using original spare parts; otherwise this may result in considerable danger to the user. This appliance can be used by children aged from 8 years and above if they have been given supervision or instruction concerning use of the appliance in a safe way and if they understand the hazards involved. Cleaning and user maintenance shall not be made by children unless they are older than 8 and supervised. Keep the appliance and its cord out of reach of children aged less than 8 years.

Please contact the store where you bought the product for after sale services if **q**uestion





This appliance can be used by children aged from 8 years and above if they have been given supervision or instruction concerning use of the appliance in a safe way and if they understand the hazards involved. Cleaning and user maintenance shall not be made by children unless they are older than 8 and supervised. Keep the appliance and its cord out of reach of children aged less than 8 years.

Appliances can be used by persons with reduced physical, sensory or mental capabilities or lack of experience and knowledge if they have been given supervision or instruction concerning use of the appliance in a safe way and understand the hazards involved. Children shall not play with the appliance.

Please contact the store which you bought the product for after sale services if question

Information requirements regarding the eco-design

| Description | Symbol | Value | Unit |
|----------------------------------|---|-------|------------------------------|
| Maximum fan flow rate | <i>F</i> | 73.49 | <i>m³/min</i> |
| Fan power input | <i>P</i> | 44.10 | <i>W</i> |
| Service value | <i>SV</i> | 1.67 | <i>(m³/min)/W</i> |
| Standby power consumption | <i>PSB</i> | 0.00 | <i>W</i> |
| Seasonal electricity consumption | <i>Q</i> | 14.11 | <i>kWh/a</i> |
| Fan sound power level | <i>LWA</i> | 42.40 | <i>dB(A)</i> |
| Maximum air velocity | <i>c</i> | 2.00 | <i>m/seg</i> |
| Measurement standard for service | Regulation N° 206/2012 IEC 60879:1986 EN 50564:2011 EN 60704-2-7:1998 EN 60704-1:2010 [Shall not appear all of these ones, but the same as the ones which are detailed in the ERP test report] | | |

EN

FittinQ B.V.

Smaragdweg 52, 5527 LB Hapert, The Netherlands
 www.qazqa.nl

SAFETY INSTRUCTION

Please study the instruction manual and below information carefully before installing or using this product.
Please keep this user manual for further reference

1. The luminaires may only be installed by authorized and qualified technicians according to the valid regulations for electrical installation.
2. Maintenance of the luminaires is limited to their surfaces. During maintenance no moisture can come into contact with any areas of the terminal connections or voltage control parts.
3. The electrical supply must be switched off at the outset, preferably by means of a switch in the distribution box, before any installation, maintenance or repair work is undertaken.
4. Exterior lighting must not be installed during rain.
5. Take account of the minimal separation distance from other objects and the room required around the fitting.
6. If in any doubt, consult a professional, taking local installation requirements into account. Some countries stipulate that lighting may be installed only by registered installers.
7. Clamping screws in electrical connections must be adequately tightened. This is particularly the case with 12V low voltage conductors.
8. Clean with a clean, dry cloth or brush, use no solvents or abrasives. Avoid dampness on all electrical components
9. Take account of all available technical information.
10. Meaning of symbols:



For indoor use only, where direct contact with water is impossible



This icon indicates the level of water-proof and dust-proof



Protection Class I: the fitting must be earthed



Protection Class II: the fitting is doubled insulated and does not require earthing



Protection Class III: the fitting is low voltage





Minimum distance from lighted objects (meters)



The type of lamp and maximum size and wattage indicated in each lighting unit must not be exceeded; different items require different kind of light sources with different bulb icons



The armature is designed to work only with the indicated voltage. Different items require different working voltage.



The luminaire can be used in combination with a dimmer



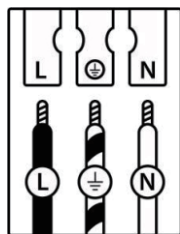
The reference light angle and light space of the luminaire



This luminaire cannot be disposed together with normal domestic waste in standard rubbish can, but you have to bring it to a staging area for electrical waste

EN

1.1. Take note of the symbols when connecting wires:



| | (DE) | (GB) | (FR) | (NL) | (PL) | (NO) | (DK) |
|----------|-----------------------|-------------------|----------------------------------|-------------------------|---------------------|--------------------|--------------------|
| L | Stromführender Leiter | Live conductor | Conducteur | Spanning-voerende draad | Przewód prądowy | Strømførende leder | Strømførende leder |
| | Schutzleiter | Earth conductor | Conducteur de protection (terre) | Aardkabel | Przewód uziemiający | Jordledningen | Jordledningen |
| N | Neutralleiter | Neutral conductor | Conducteur neutre | Nulleider | Przewód zerowy | Nøytralleder | Neutralleder |

| | (SE) | (FI) | (IT) | (ES) | (CZ) | (PT) | (GR) |
|----------|---------------------|-------------|---------------------------|-------------------------|-------------------|-------------------|---------------------|
| L | Strömförande ledare | Virtajohdin | Conduttore sotto tensione | Conductor de corriente | Vodič pod napětím | Condutor vivo | Ρευματοφόρος αγωγός |
| | Skyddsledare | Suojajohdin | Conduttore di terra | Conductor de protección | Ochranný vodič | Condutor de terra | Αγωγός γείωσης |
| N | Neutralledare | Nollajohdin | Conduttore neutro | Conductor neutro | Neutrální vodič | Condutor neutro | Ουδέτερος αγωγός |