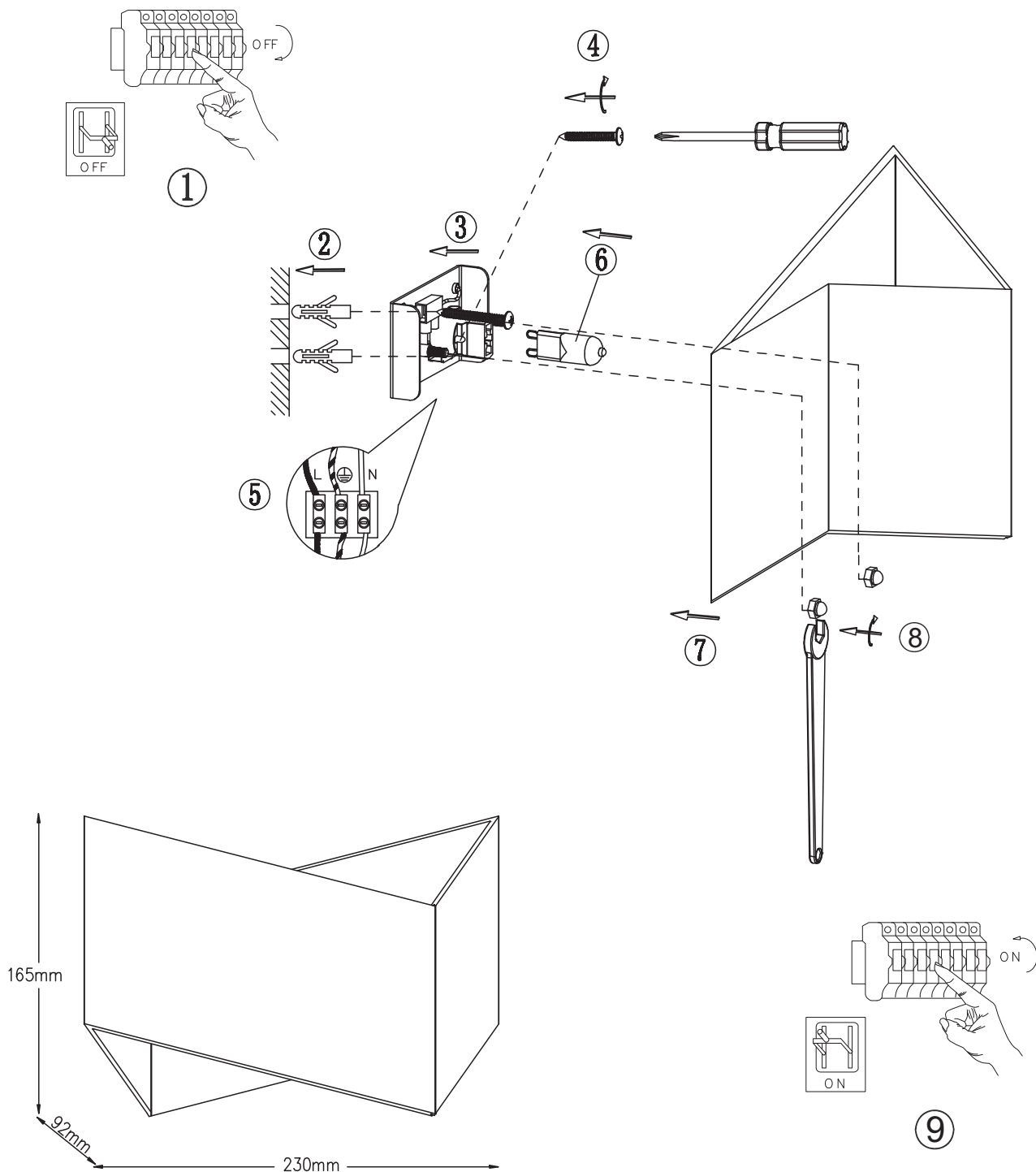


# INSTRUCTION MANUAL



## Fold WL



---Suitability for use "indoors", the related ambient temperature is 25°C