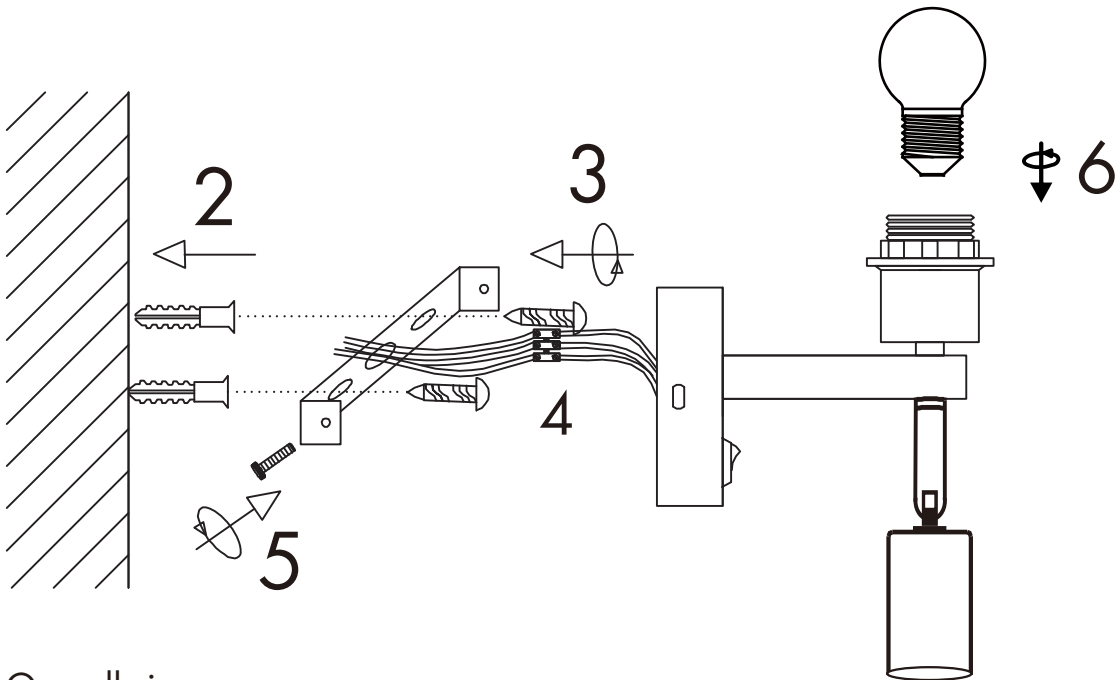
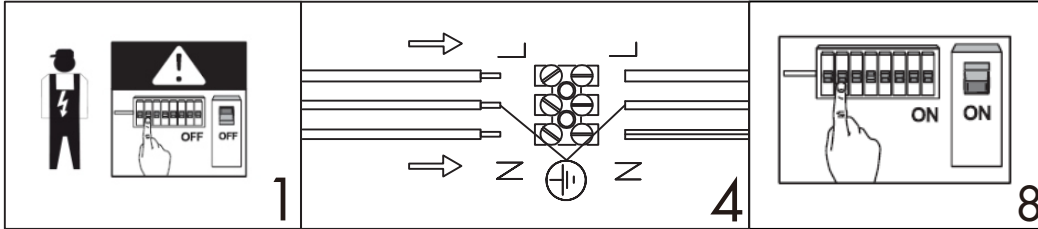


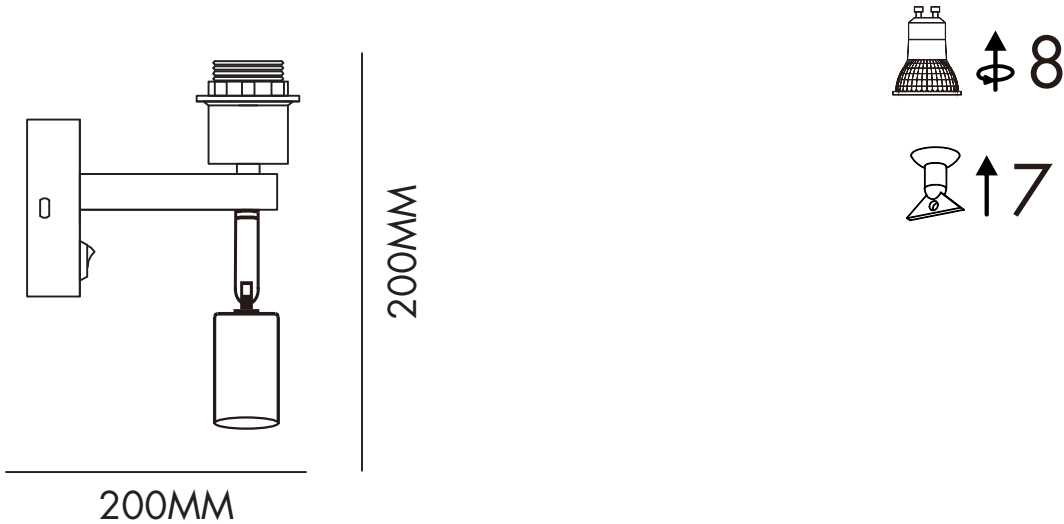
# INSTRUCTION MANUAL



## Brescia WL 2



Overall size:



**FittinQ B.V.**

Smaragdweg 52, 5527 LB Hapert, The Netherlands  
www.qazqa.nl

QAZQA