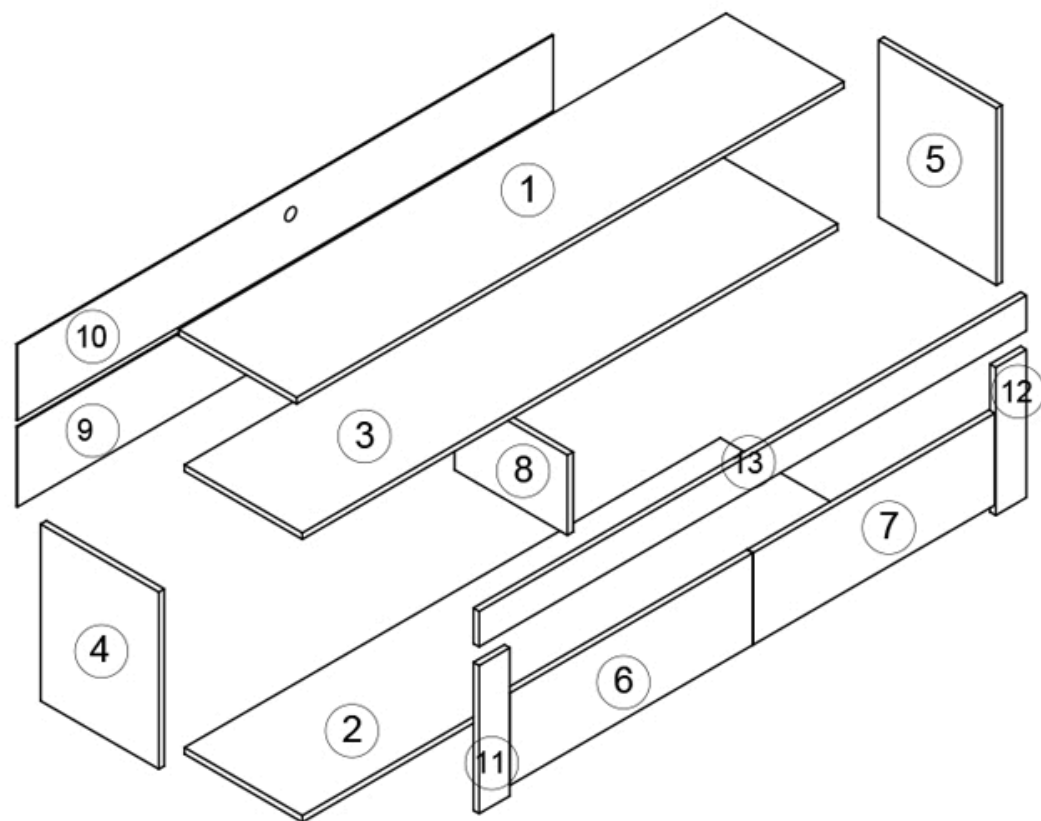
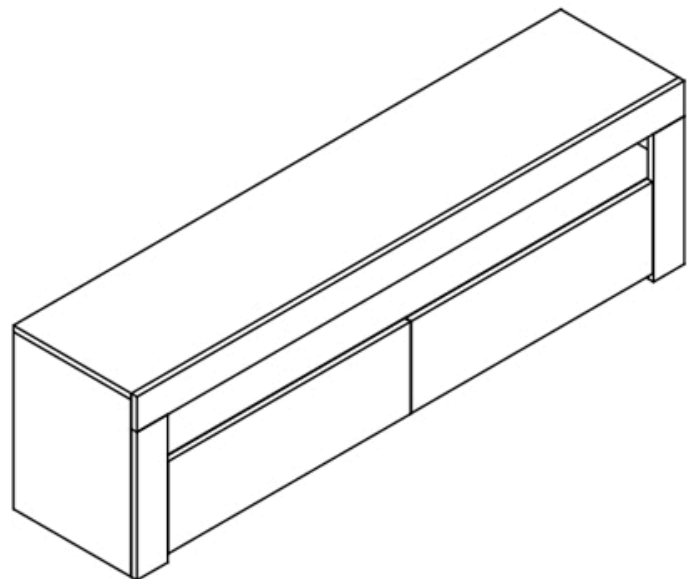


TVSD072



A



26PCS

B



23PCS

C



4PCS

D



2PCS

E

3.5*14



24PCS

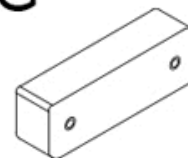
F

3.5*25



4PCS

G



2PCS

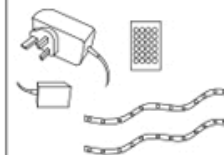
H

3.5*12

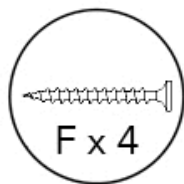
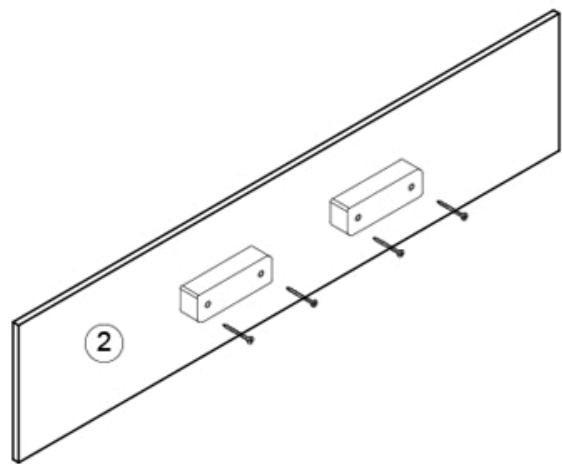


8PCS

LED

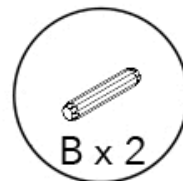
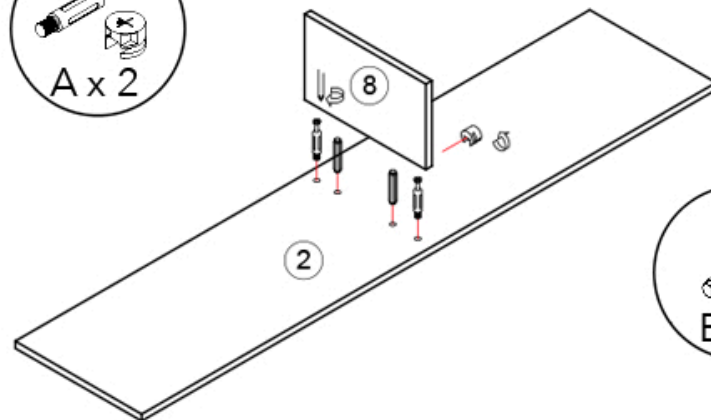
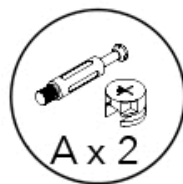


1



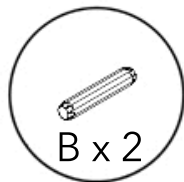
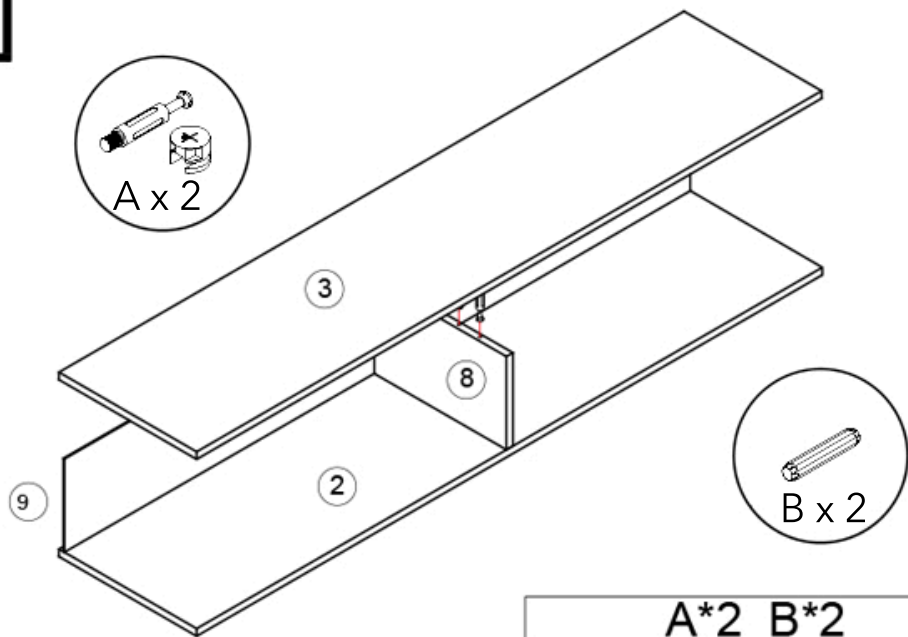
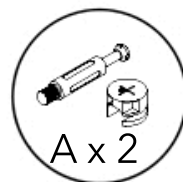
F*4 G*2

2



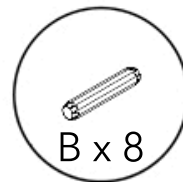
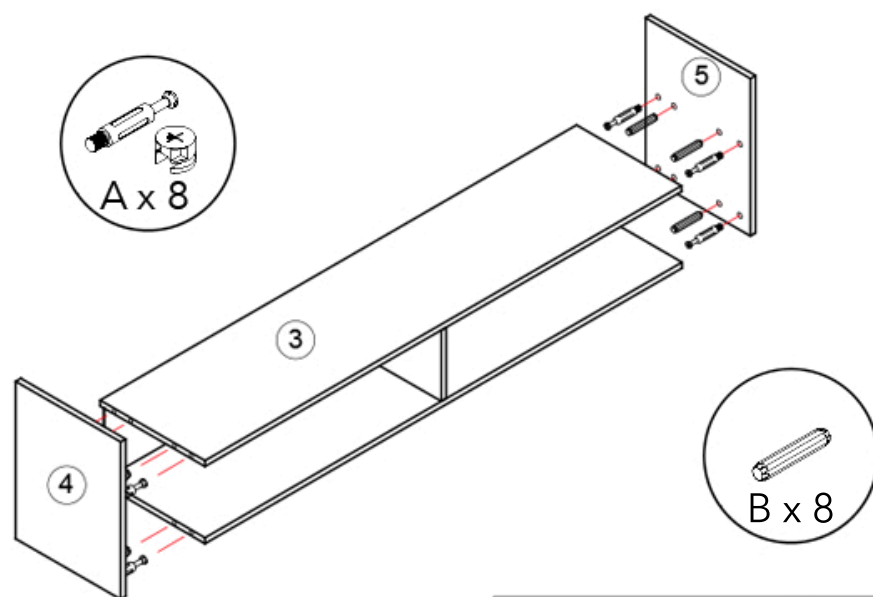
A*2 B*2

3



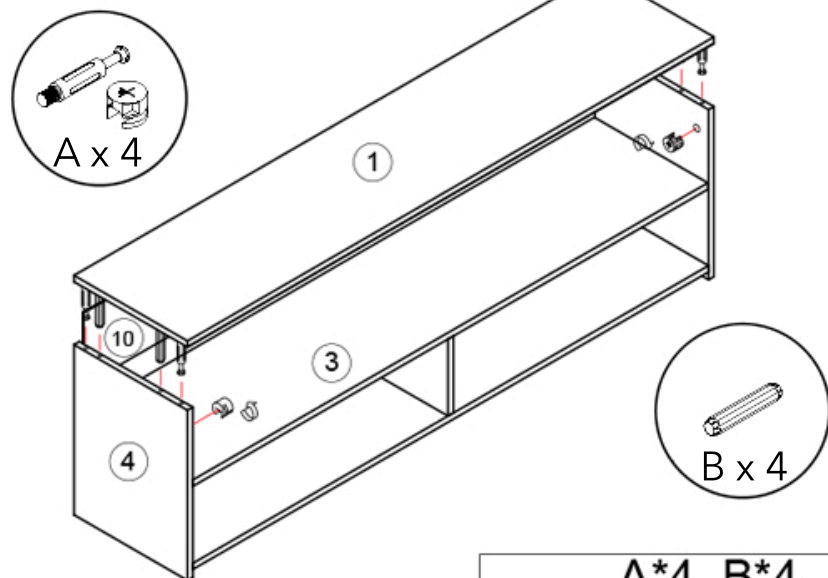
A*2 B*2

4



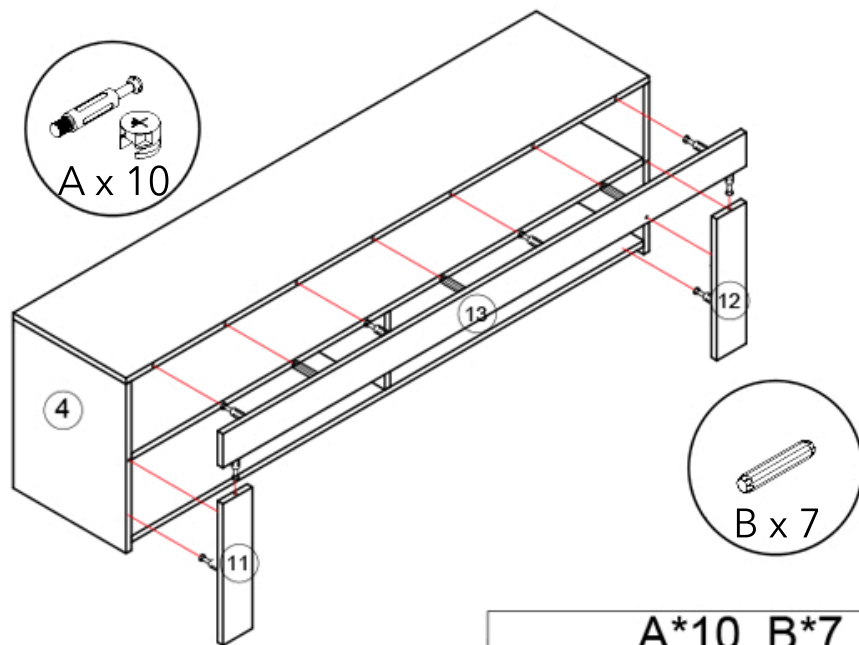
A*8 B*8

5



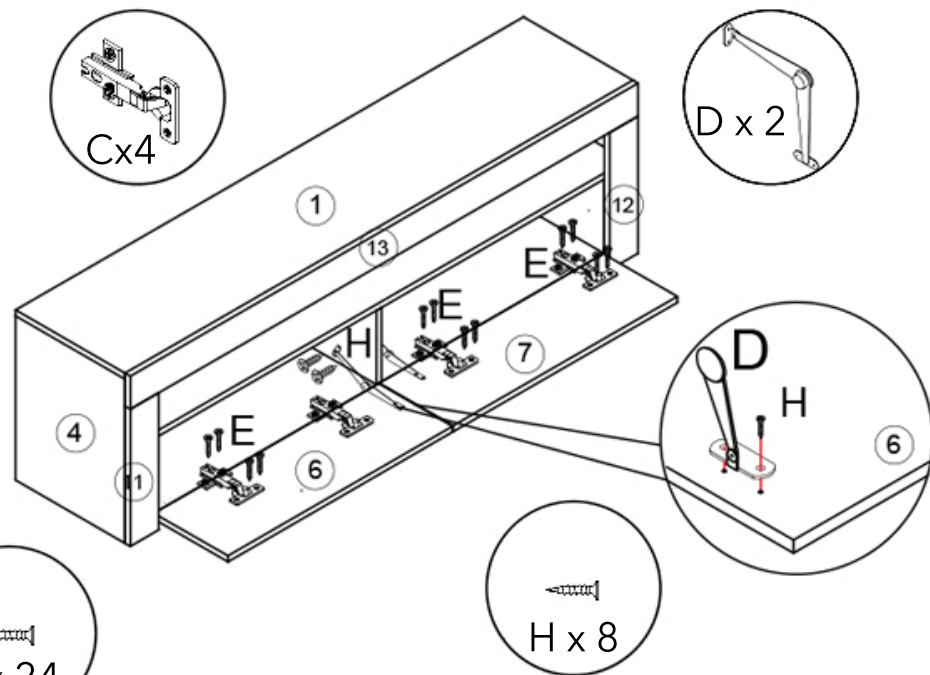
$A \times 4 \quad B \times 4$

6



$A \times 10 \quad B \times 7$

7



$C \times 4 \quad D \times 2 \quad E \times 24 \quad H \times 8$

8

