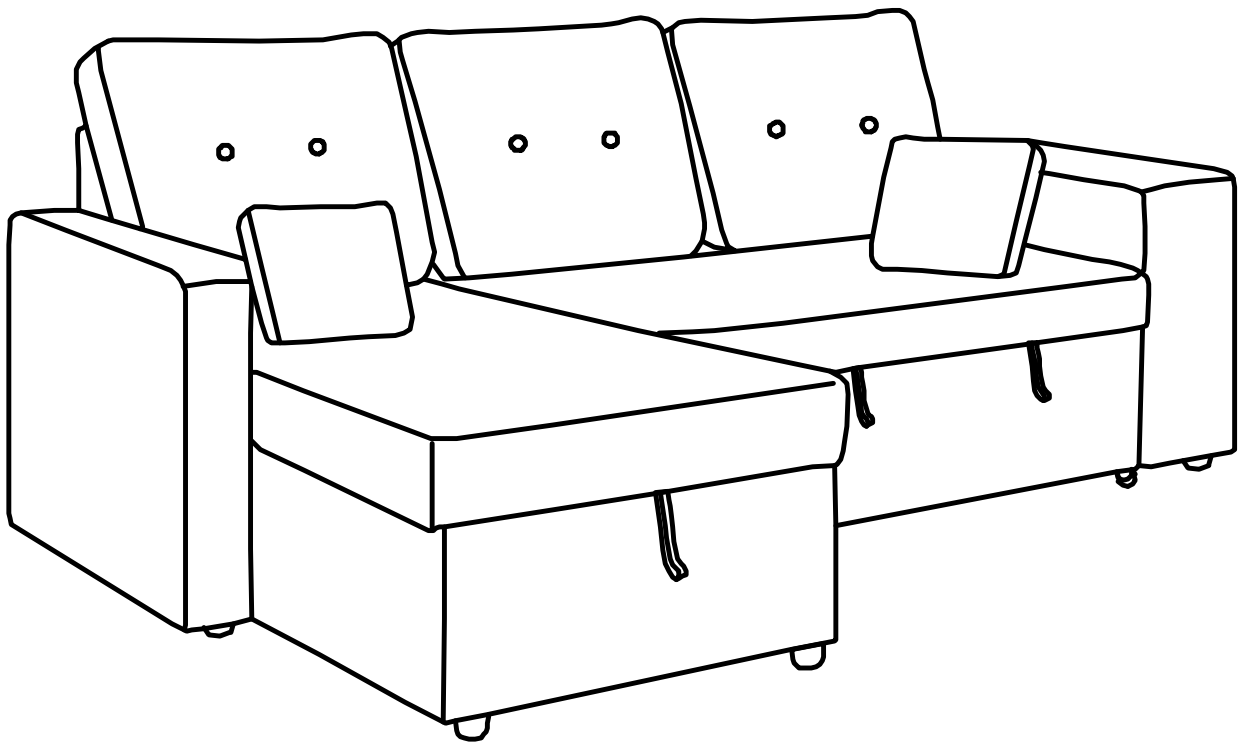




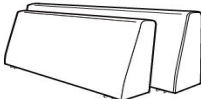
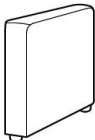
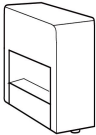
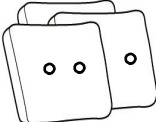



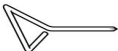

# Axel

1424\_101409/1424\_101410



**h & j** Habitat  
et Jardin

1424\_101409 /1424\_101410

<b>A</b>		<b>127*80*40CM</b>	<b>X1</b>	<b>1/3</b>
<b>B</b>		<b>146*71*39CM</b>	<b>X1</b>	<b>2/3</b>
<b>C</b>		<b>127*30*14CM</b> <b>65*30*14CM</b>	<b>X2</b>	<b>2/3</b>
<b>D</b>		<b>81*14*57CM</b>	<b>X1</b>	<b>3/3</b>
<b>E</b>		<b>81*26*57CM</b>	<b>X1</b>	<b>3/3</b>
<b>F</b>		<b>64*46CM</b>	<b>X3</b>	<b>1/3&amp;2/3</b>
<b>G</b>		<b>35*35CM</b>	<b>X2</b>	<b>2/3</b>
<b>H</b>		<b>H:2.5CM</b>	<b>X4</b>	<b>2/3</b>
<b>I</b>		<b>4CM</b>	<b>X4</b>	<b>2/3</b>
<b>J</b>		<b>9CM</b>	<b>X1</b>	<b>2/3</b>
<b>K</b>		<b>6CM</b>	<b>X1</b>	<b>2/3</b>

FR : SAV/INFORMATION /VIDEO/CONTACT

EN: AFTER-SALES SERVICE/INFORMATION/VIDEO/CONTACT

DE : REPARATUR-SERVICE UND ERSATZTEILE /INFORMATIONEN /VIDEO/KONTAKT

ES: SERVICIO POST-VENTA/INFORMACIÓN/VIDEO/CONTACTO

IT: SERVIZIO ASSISTENZA/INFORMAZIONI/VIDEO/CONTATTO

PT: SERVIÇO PÓS-VENDA/INFORMAÇÕES/VIDEO/CONTATO

PL: SERWIS TECHNICZNY/INFORMACJE/WIDEO/KONTAKT

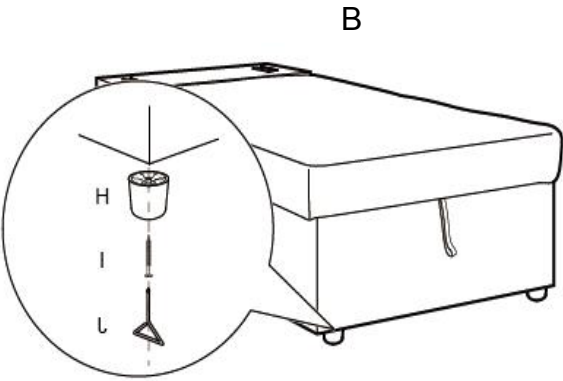
NE: AFTER SALES SERVICE/INFORMATIE/VIDEO/CONTACT

HE: מע רשקתל/ואדיווה/ עדימ/תורכמו תוריש רחאל

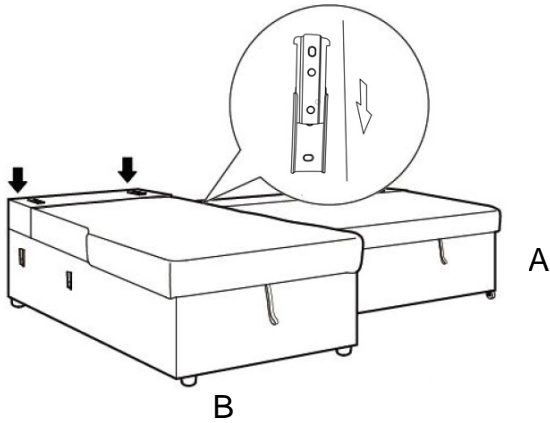
[SAV.HABITATETJARDIN.COM](http://SAV.HABITATETJARDIN.COM)

# ASSEMBLY INSTRUCTIONS

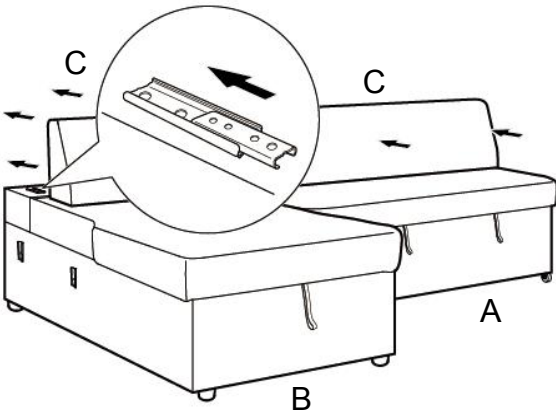
1



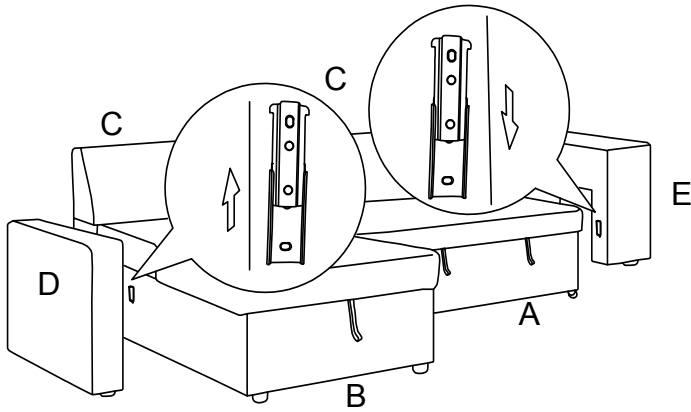
2



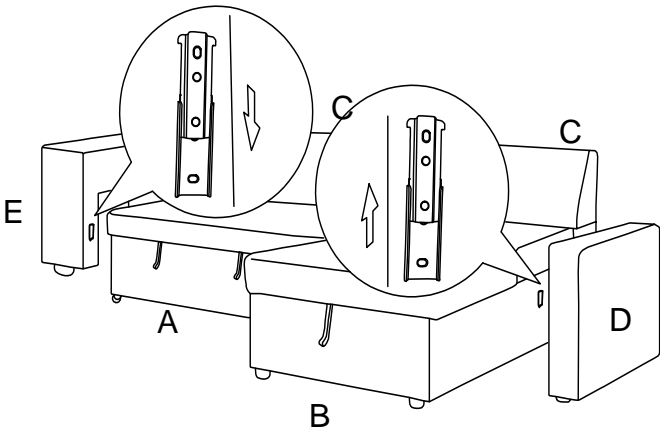
3



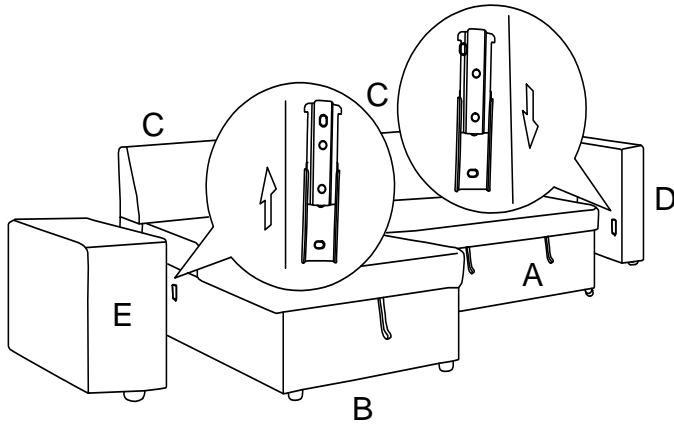
4



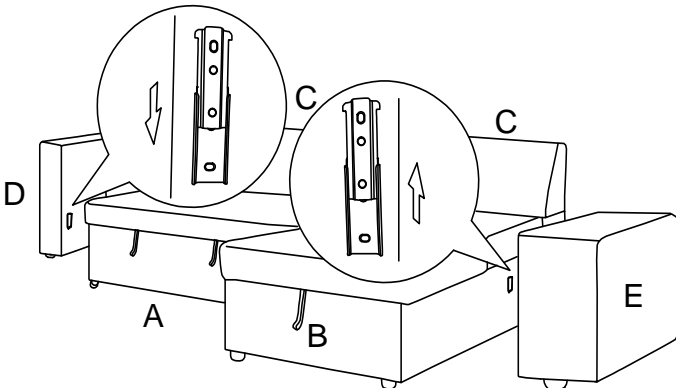
5



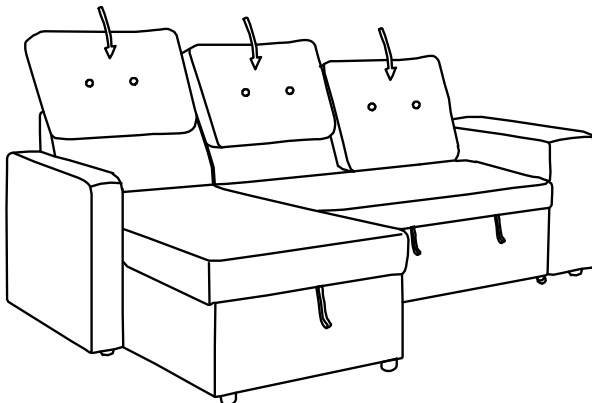
6



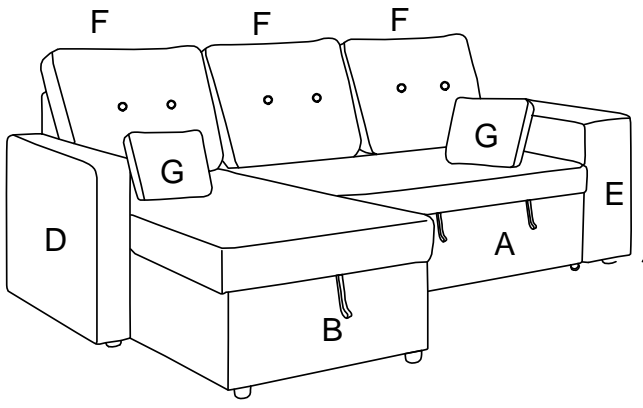
7



8



9



10

