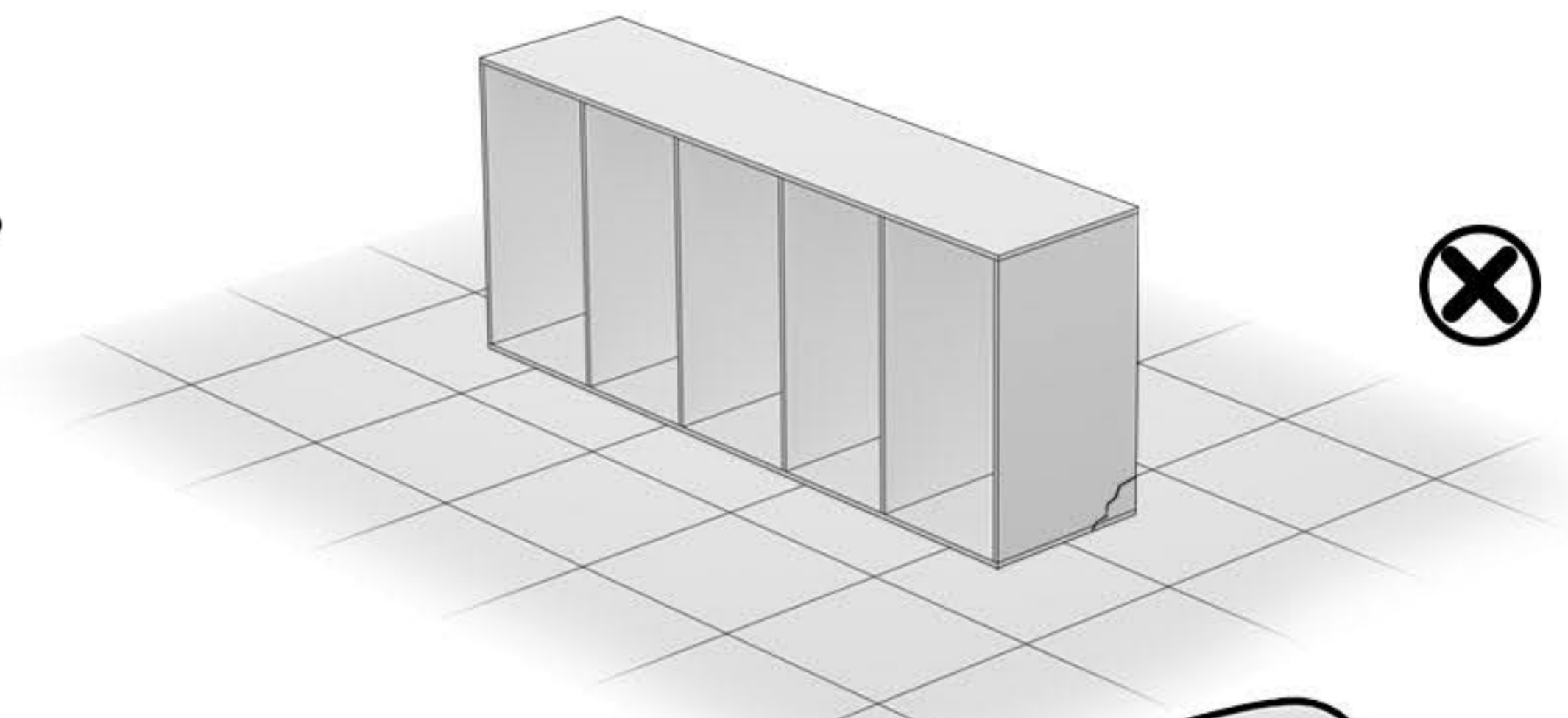
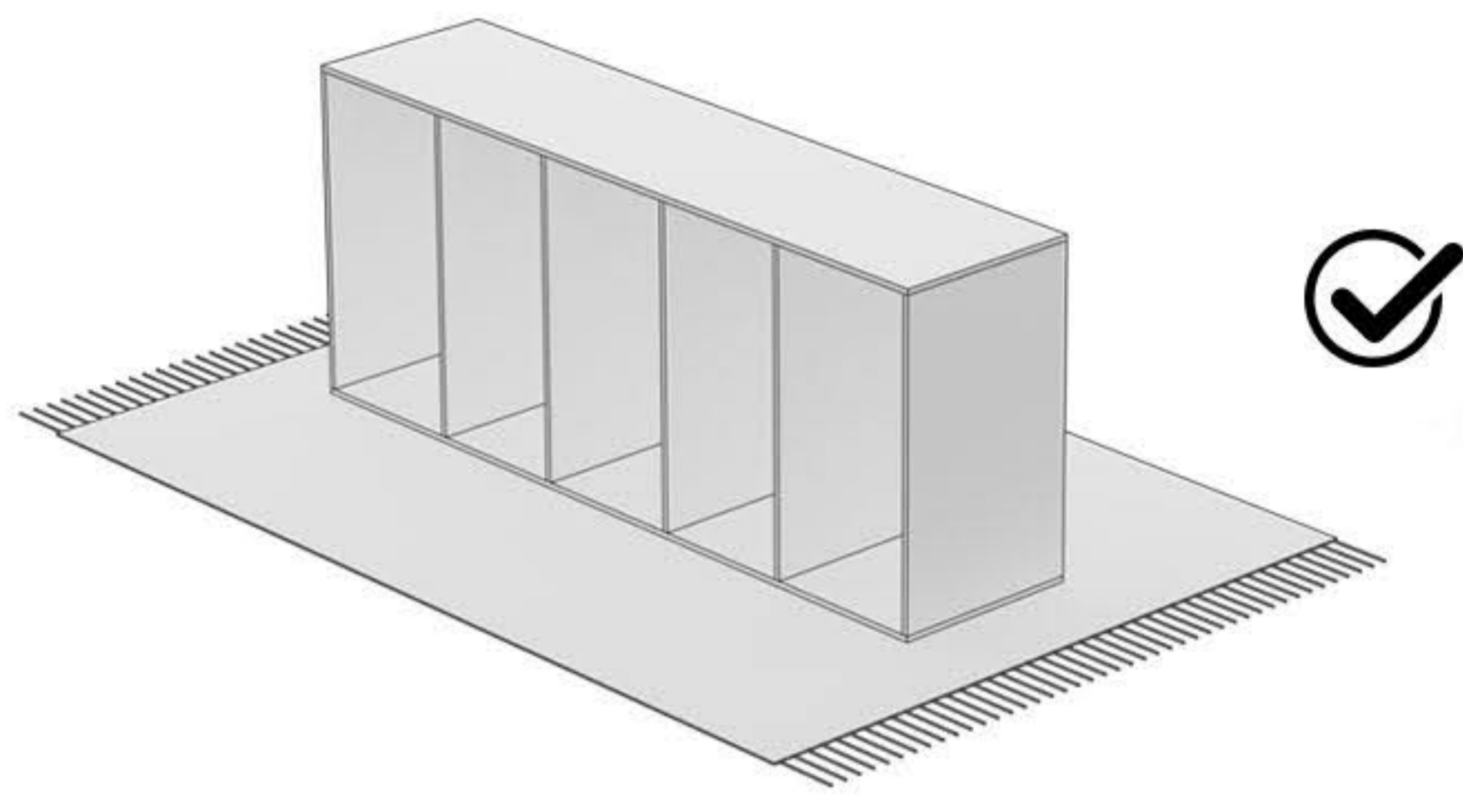
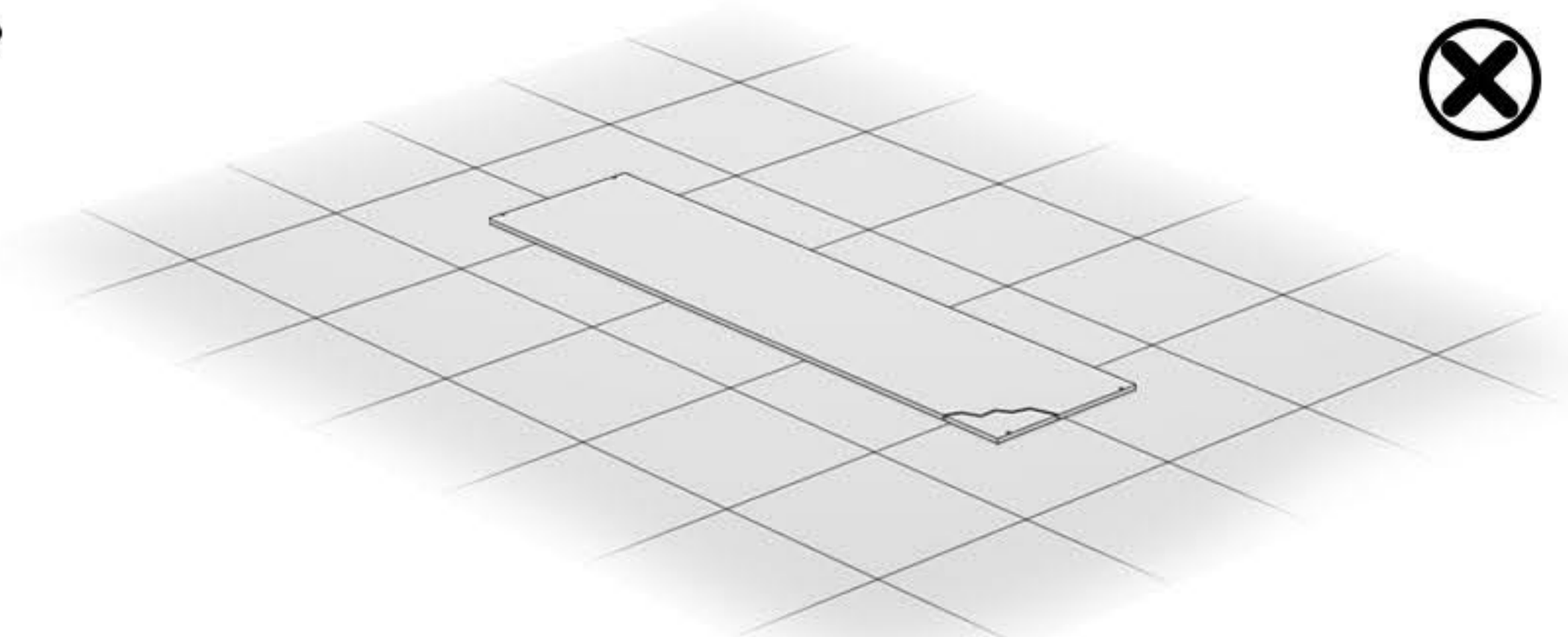
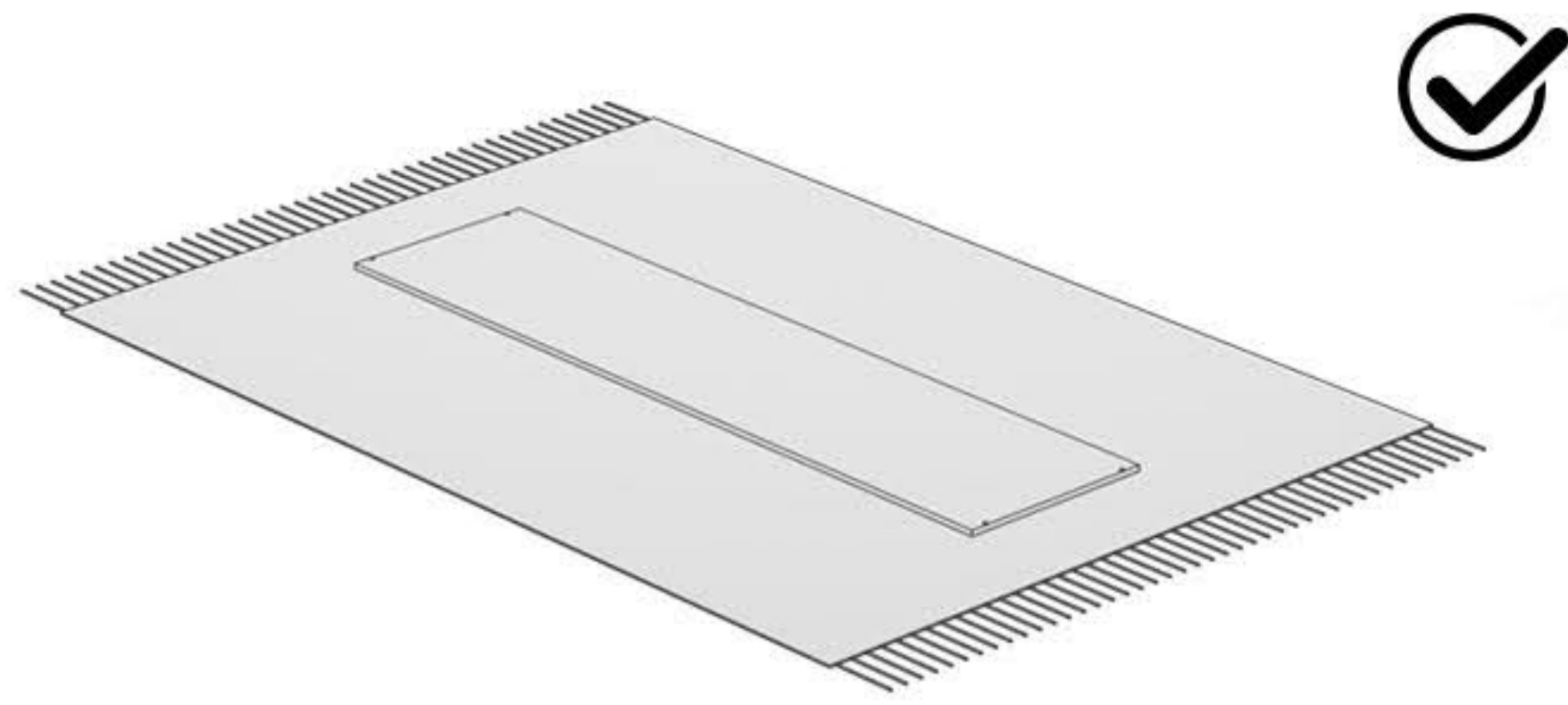
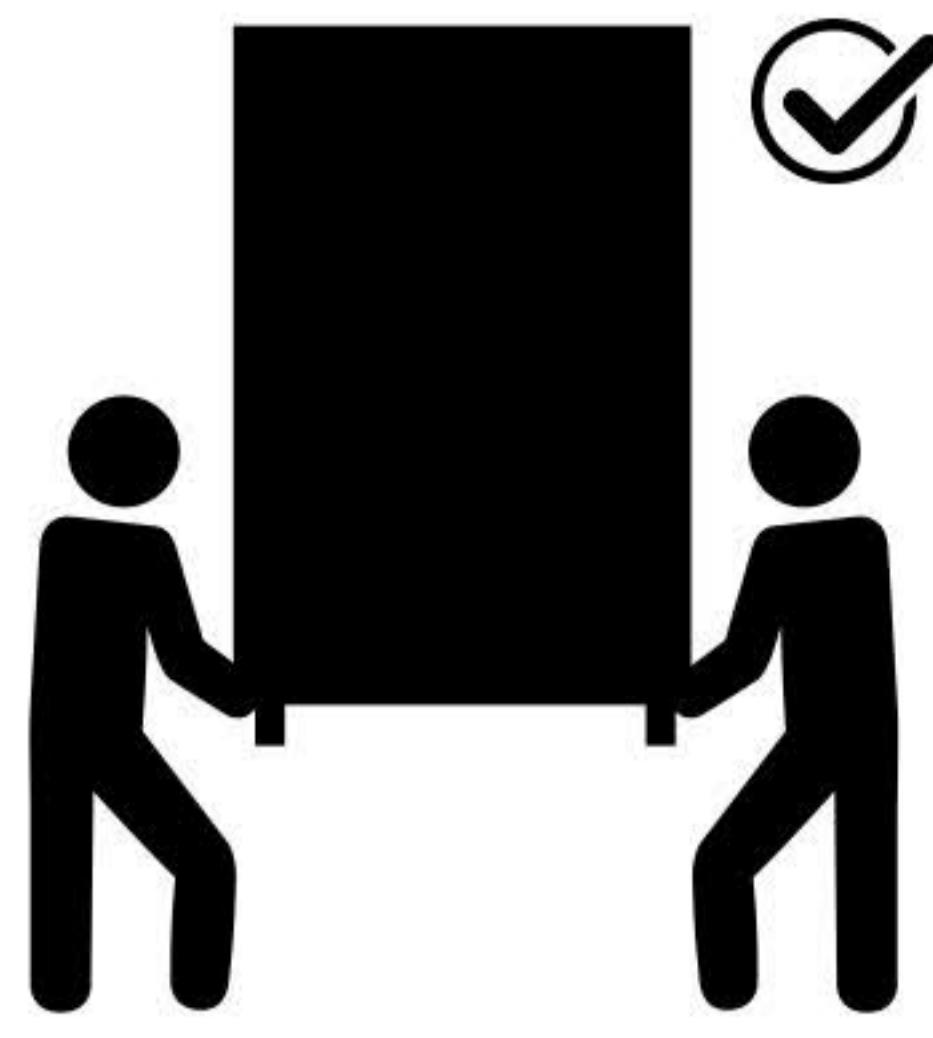
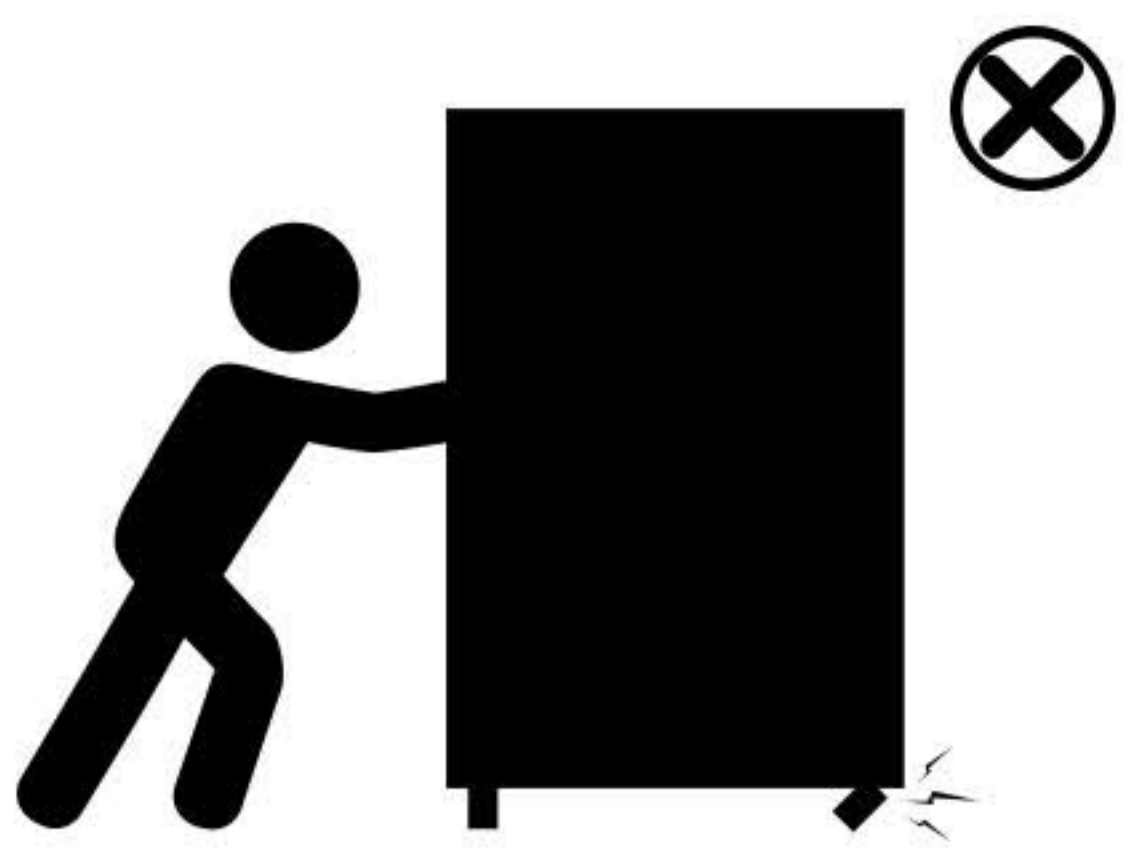


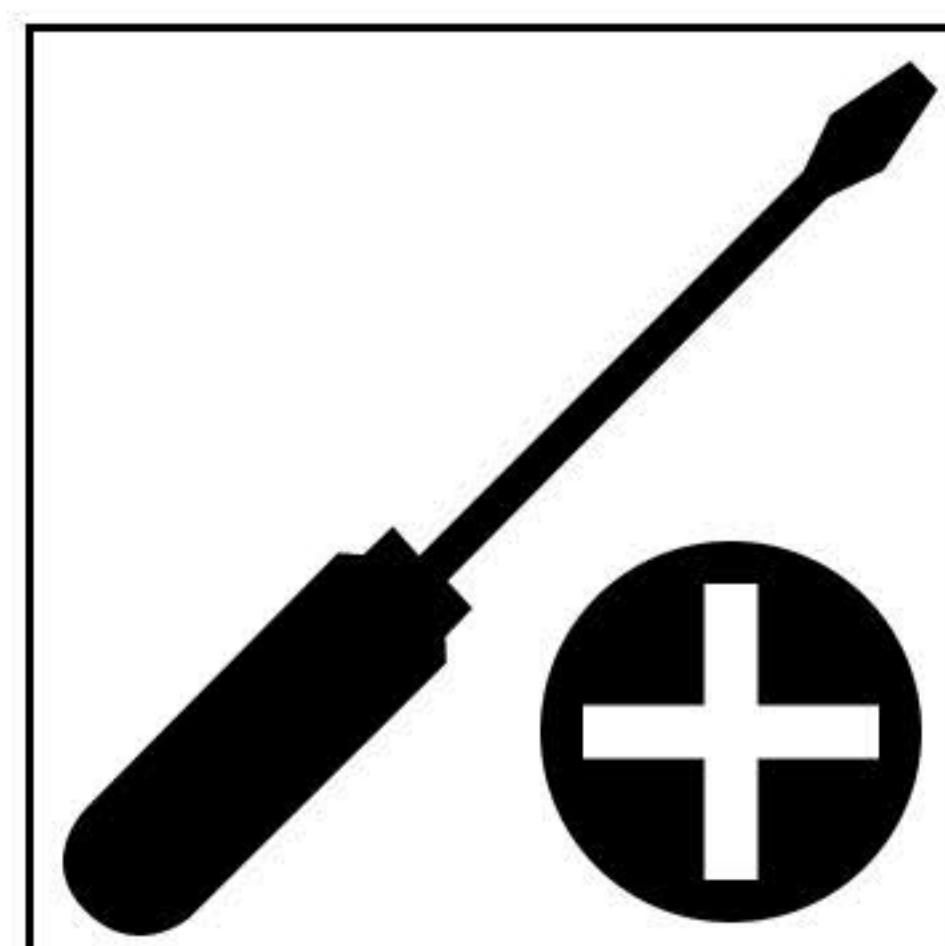
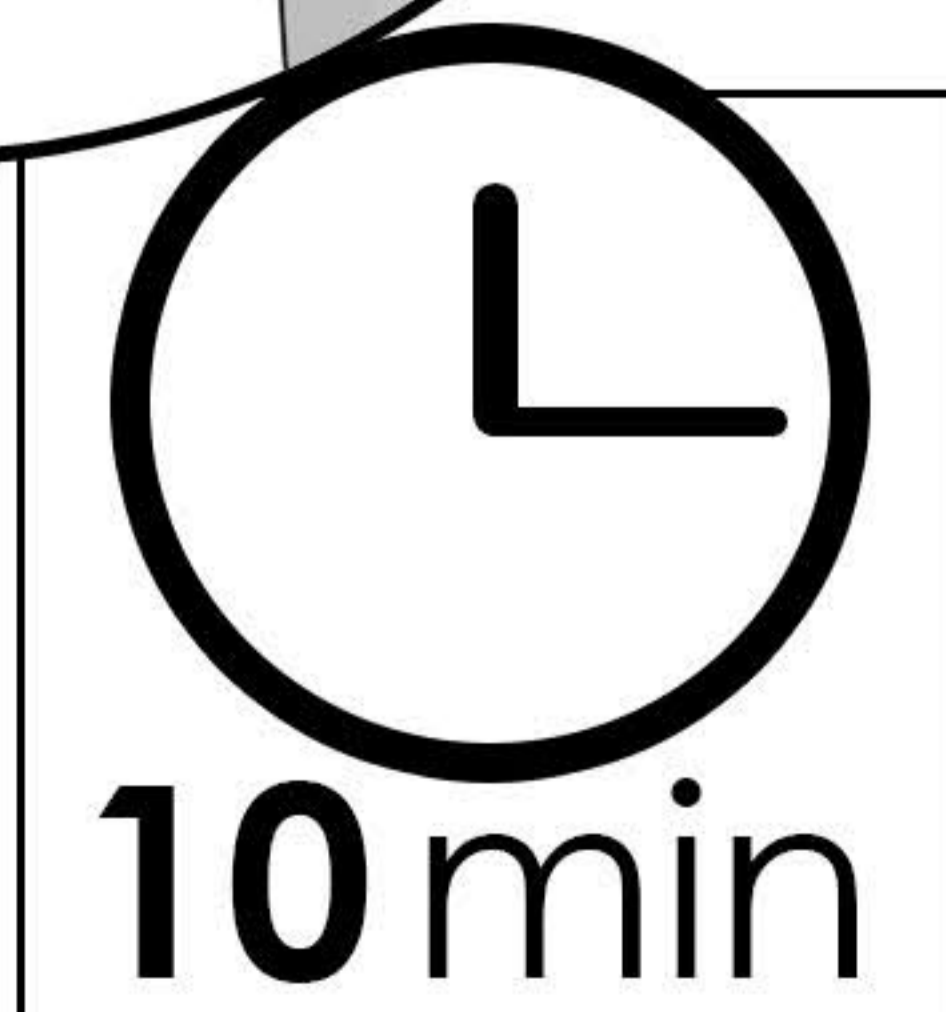
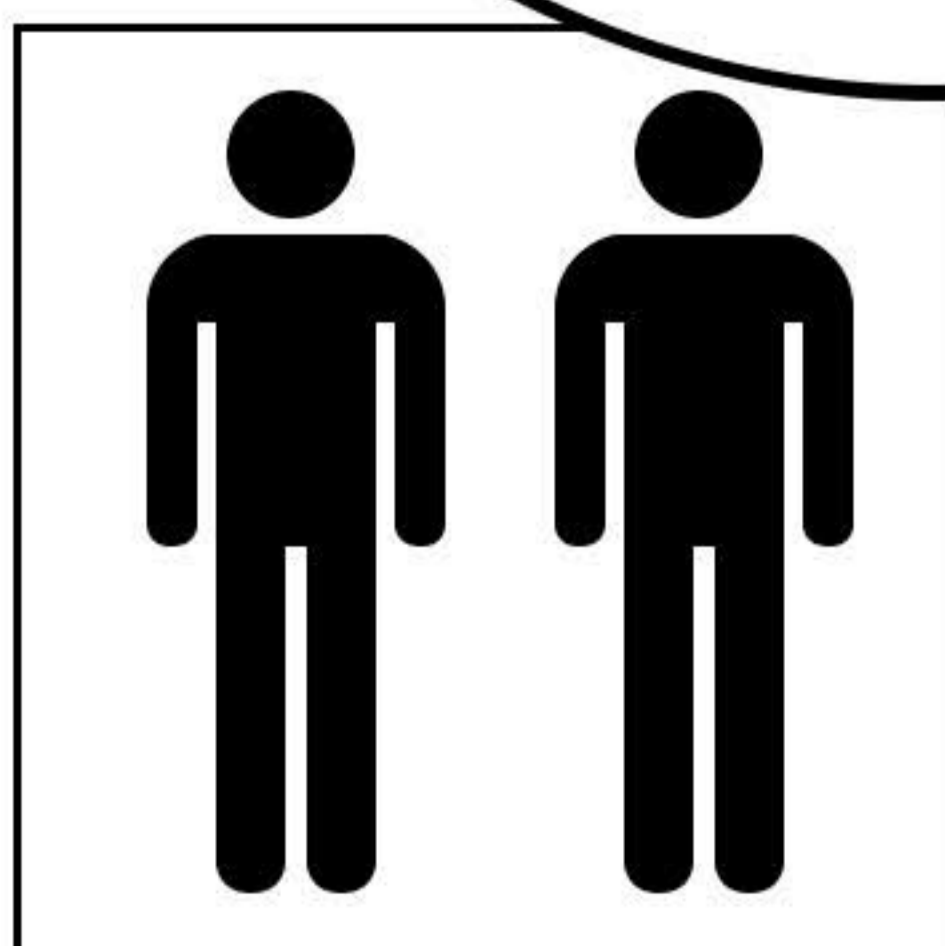
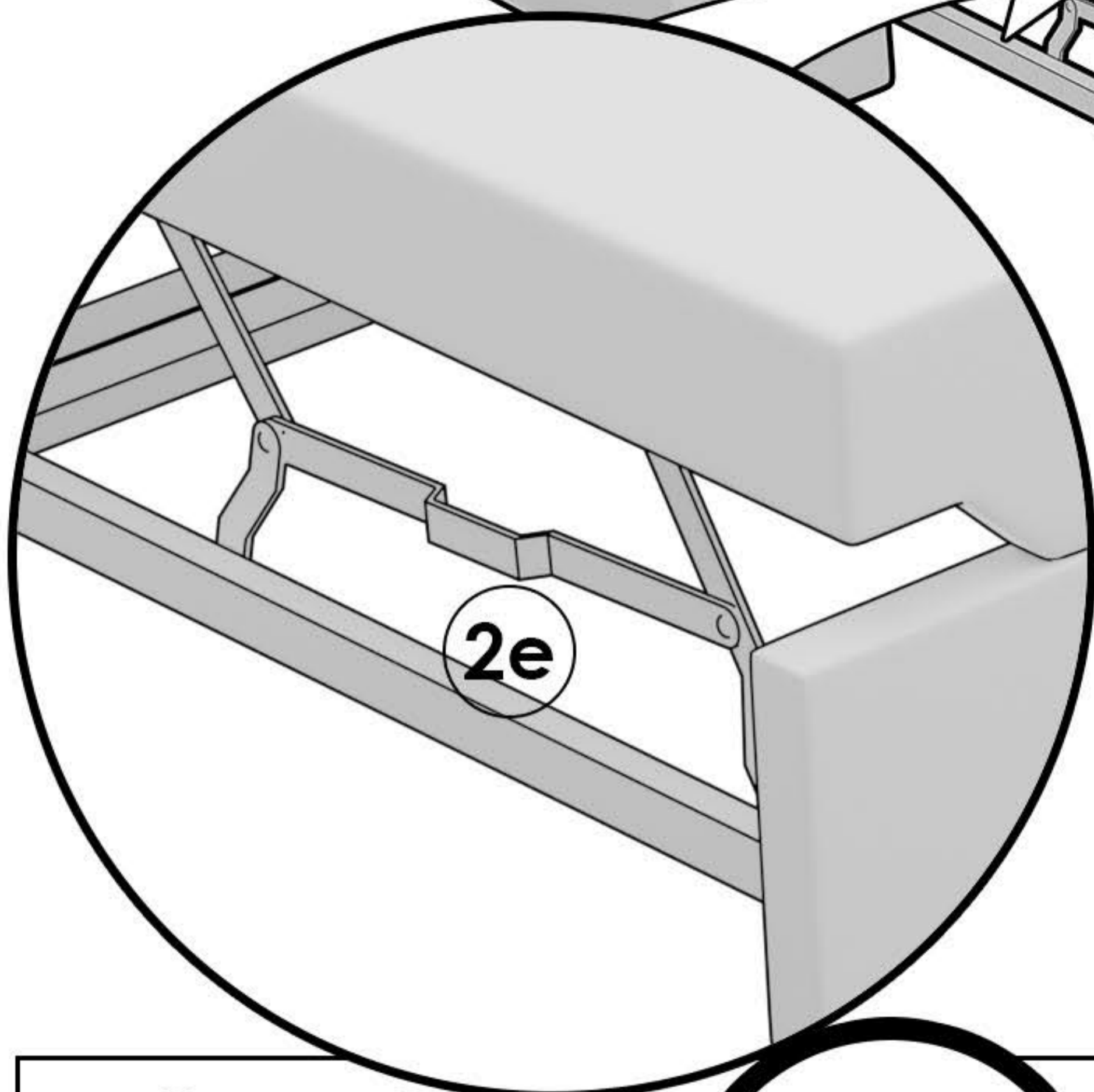
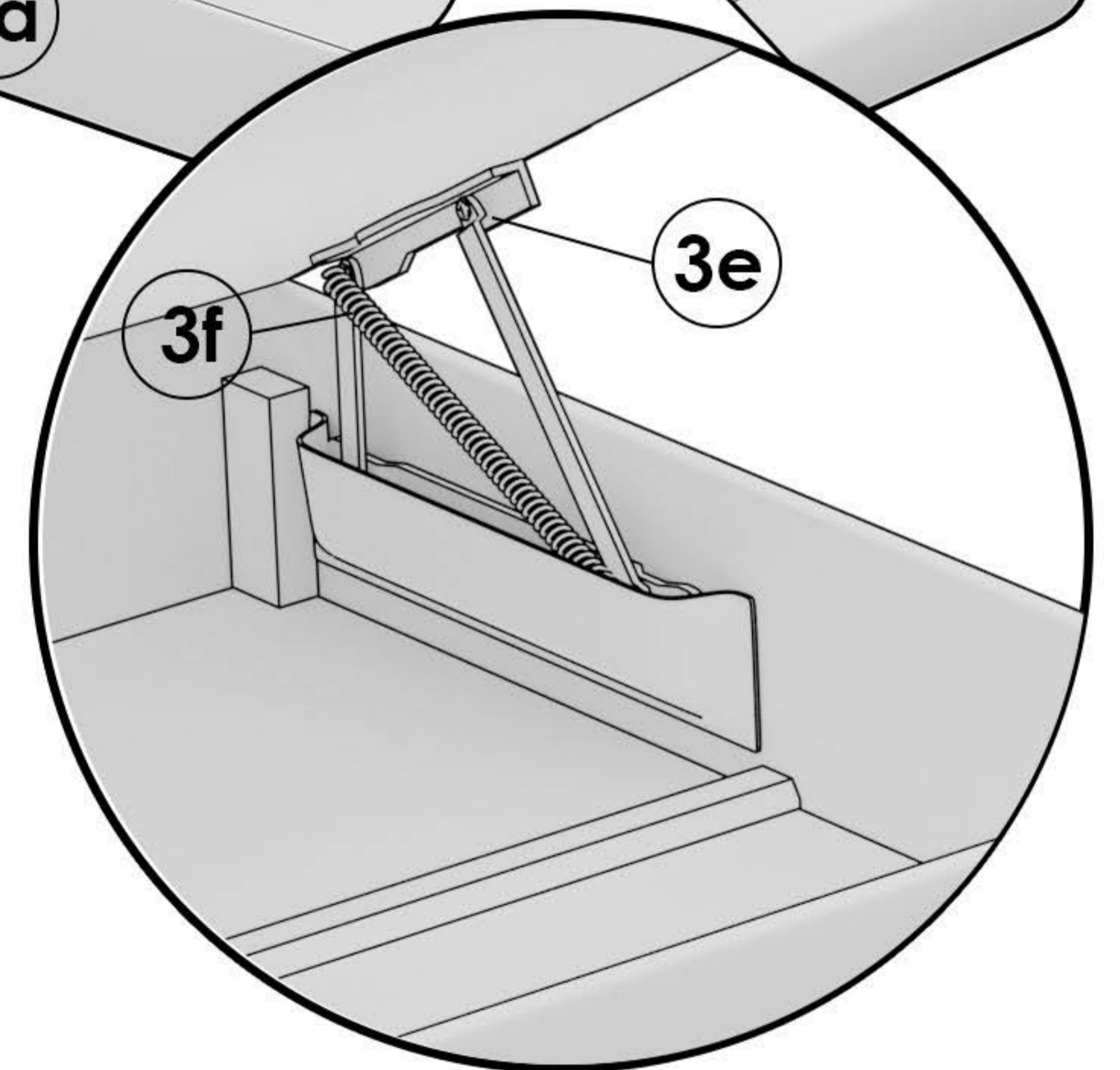
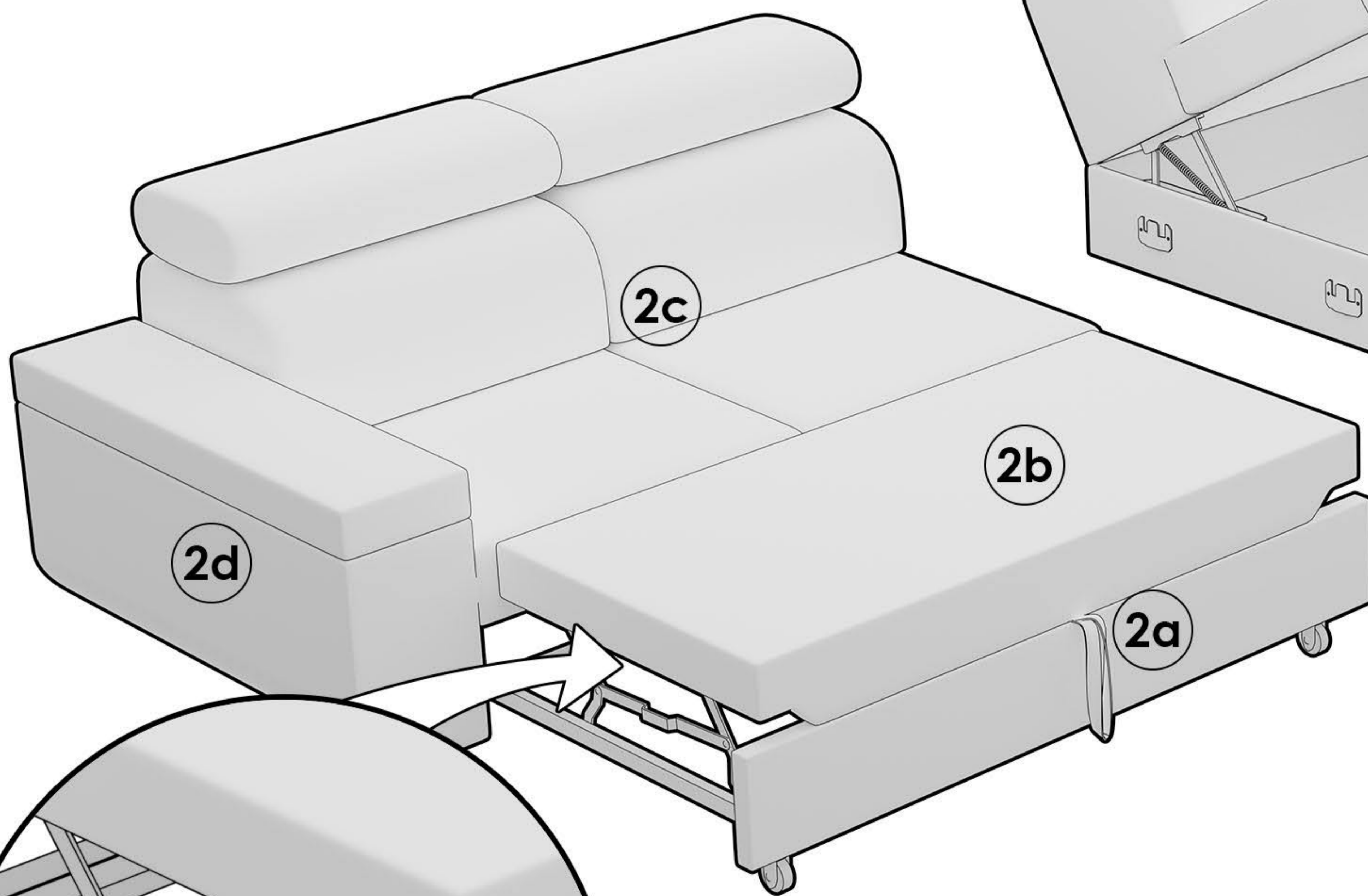
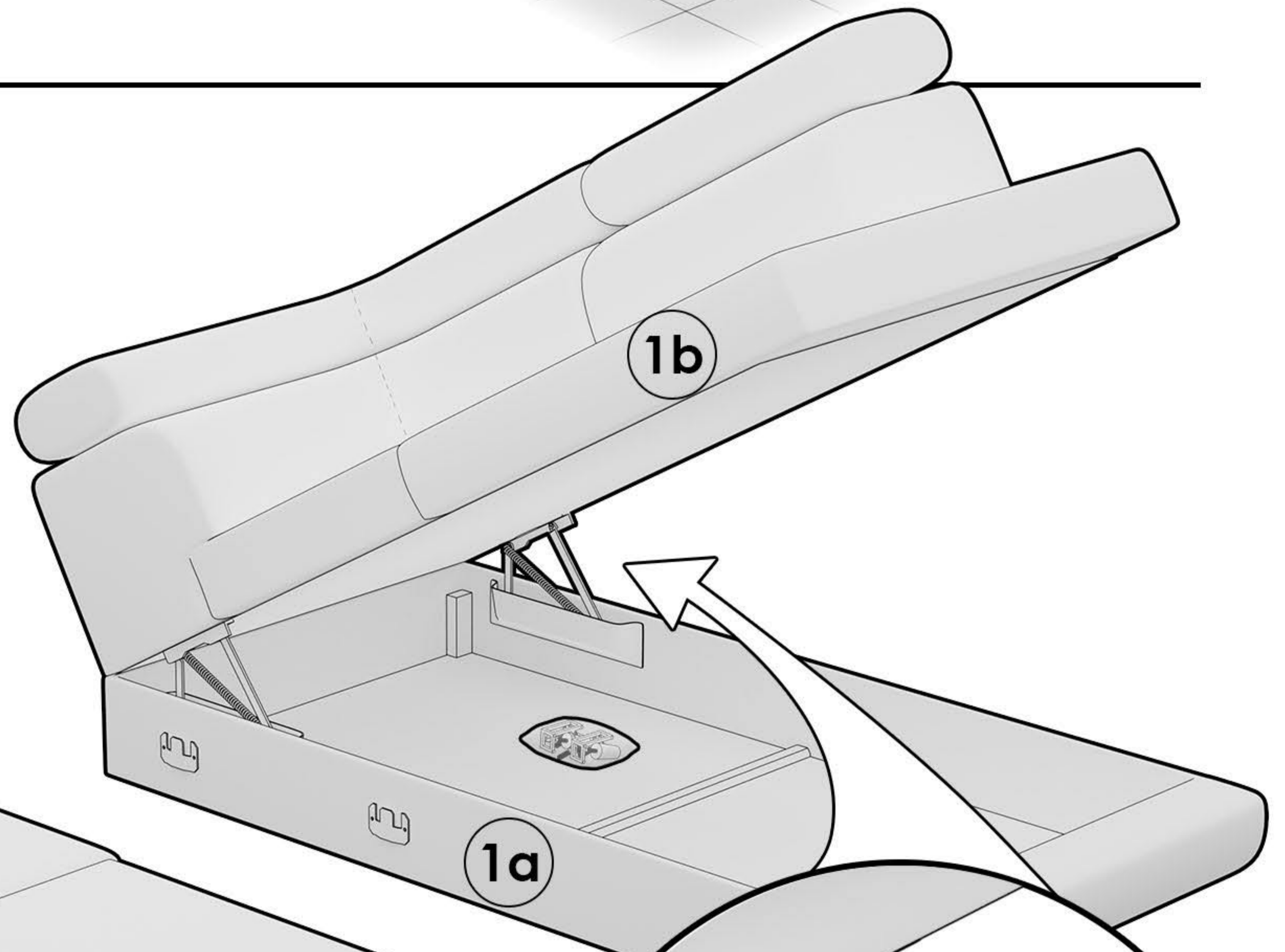
FONTI

ASSEMBLING INSTRUCTIONS

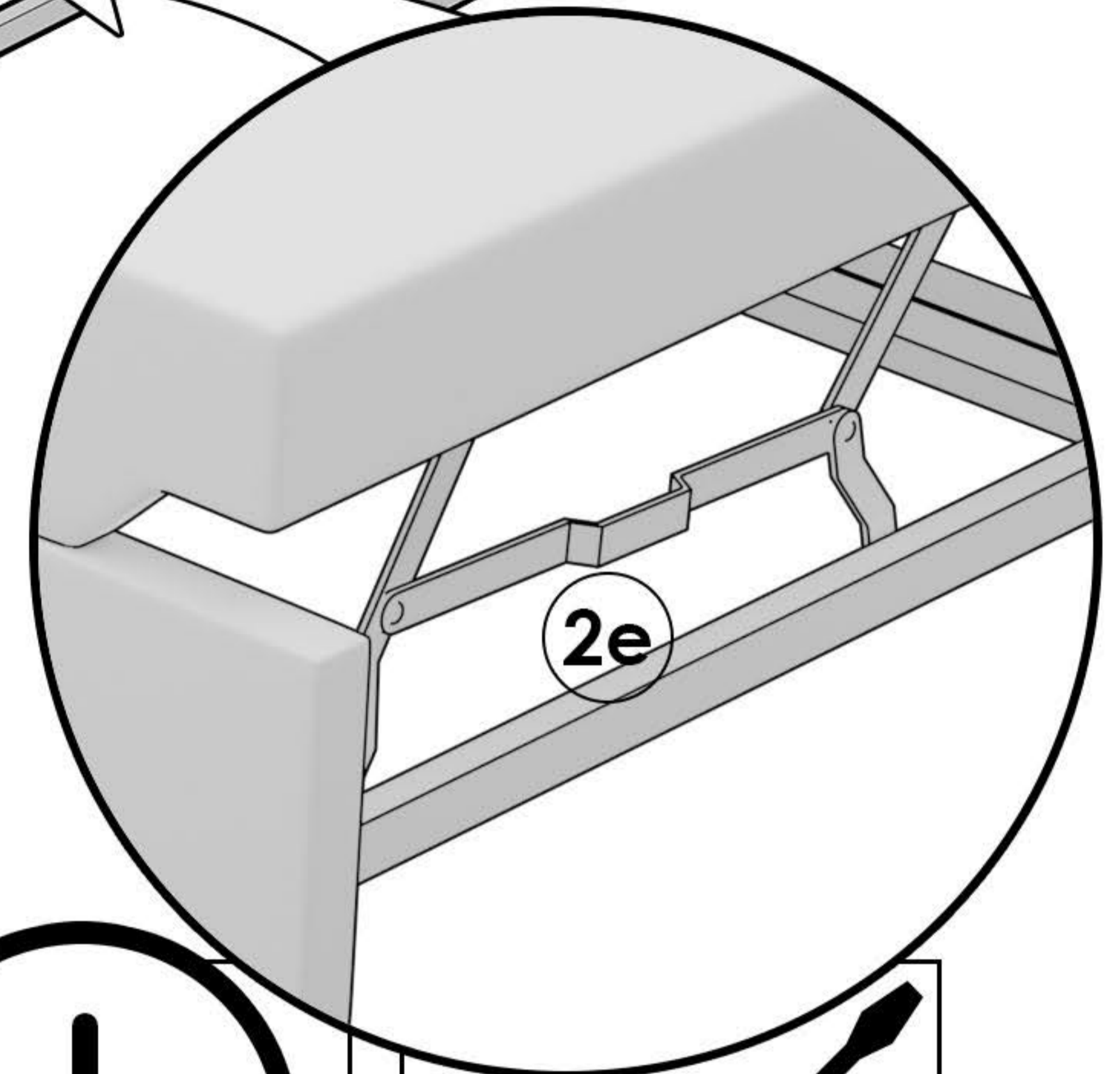
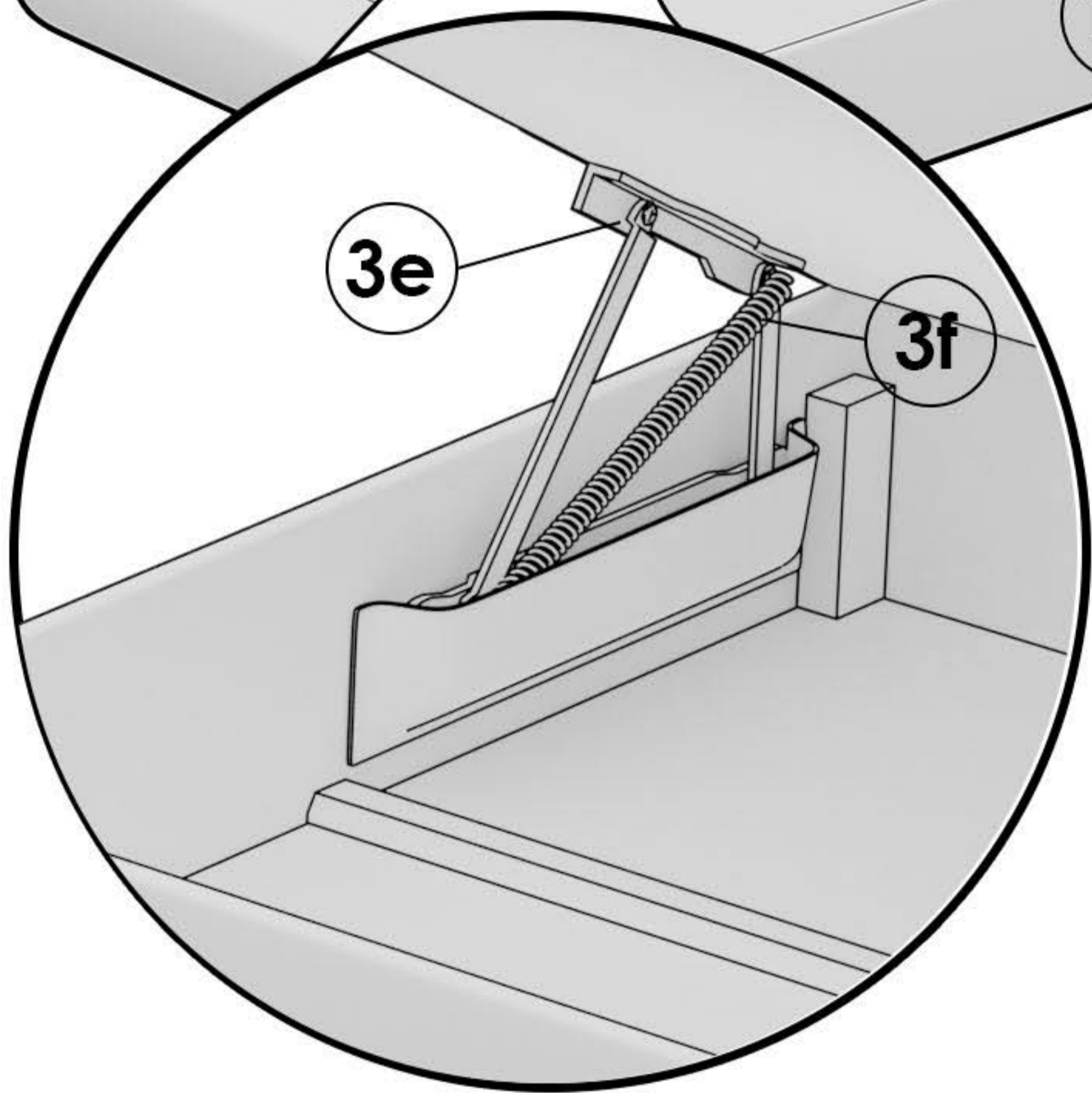
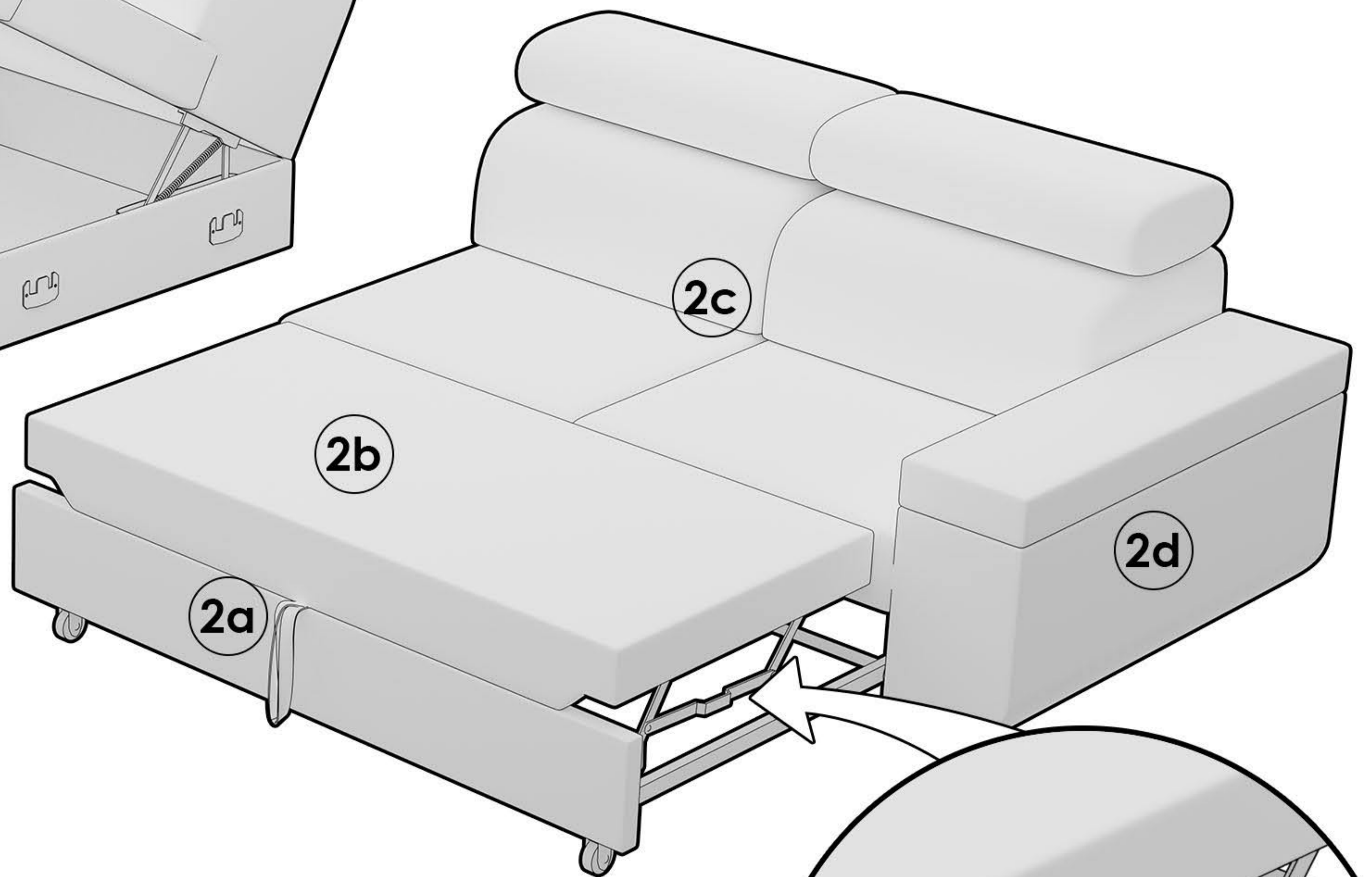
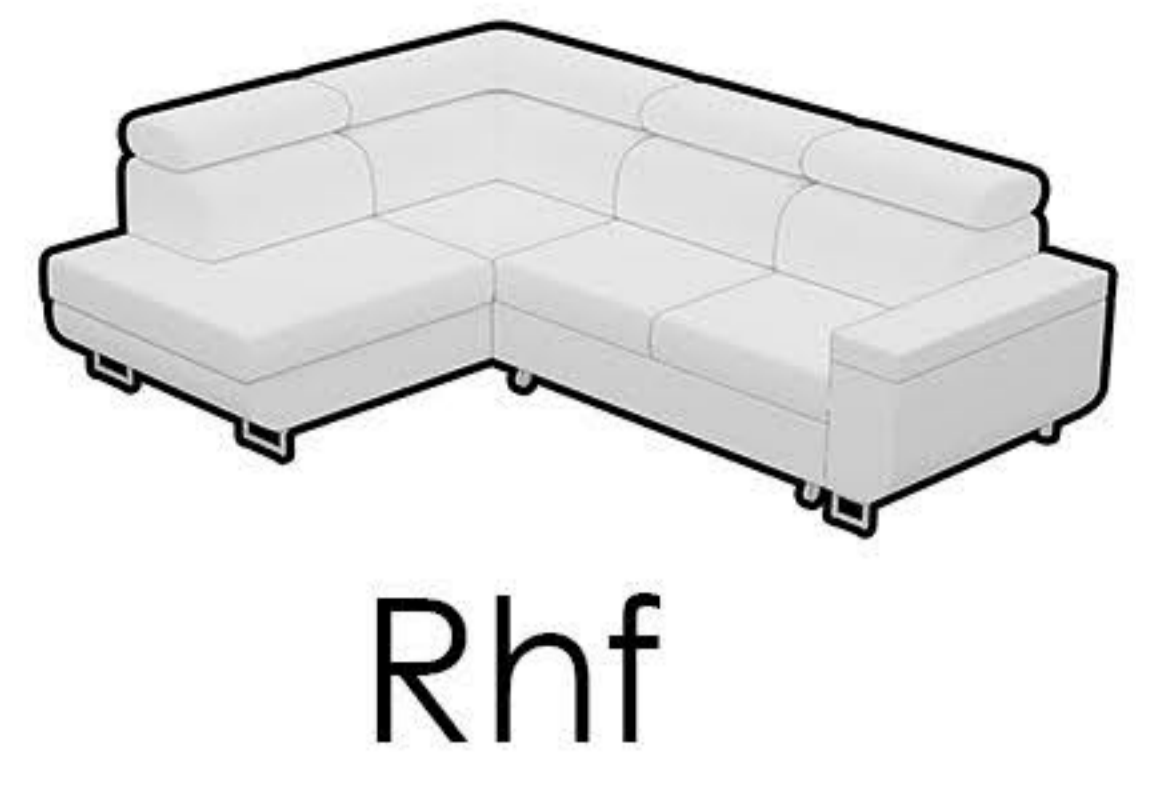
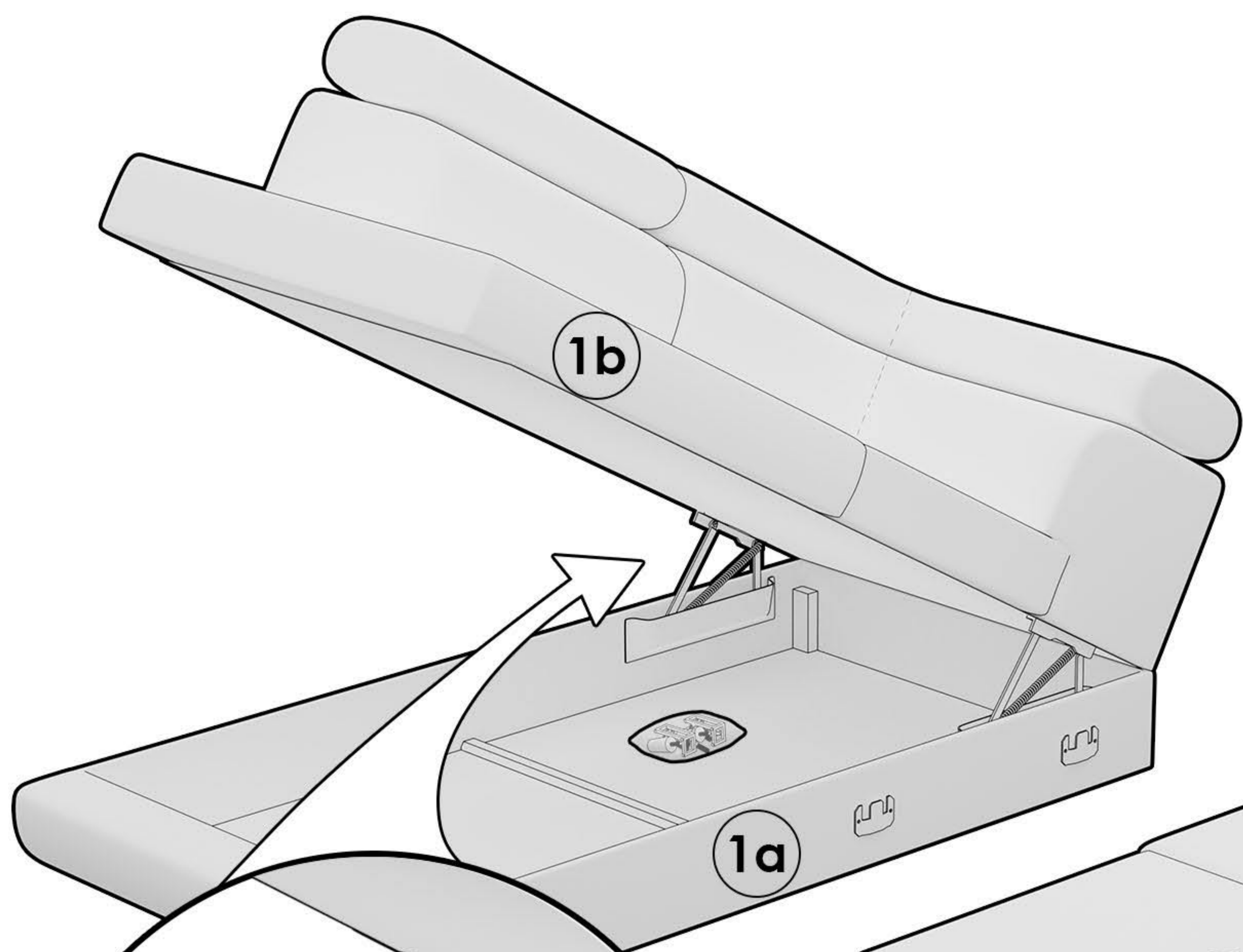
MONTAGEANLEITUNG
INSTRUKCJA MONTAŻU



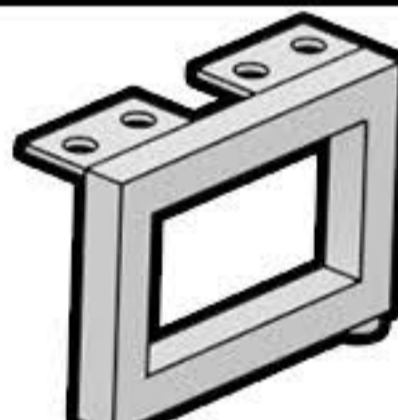



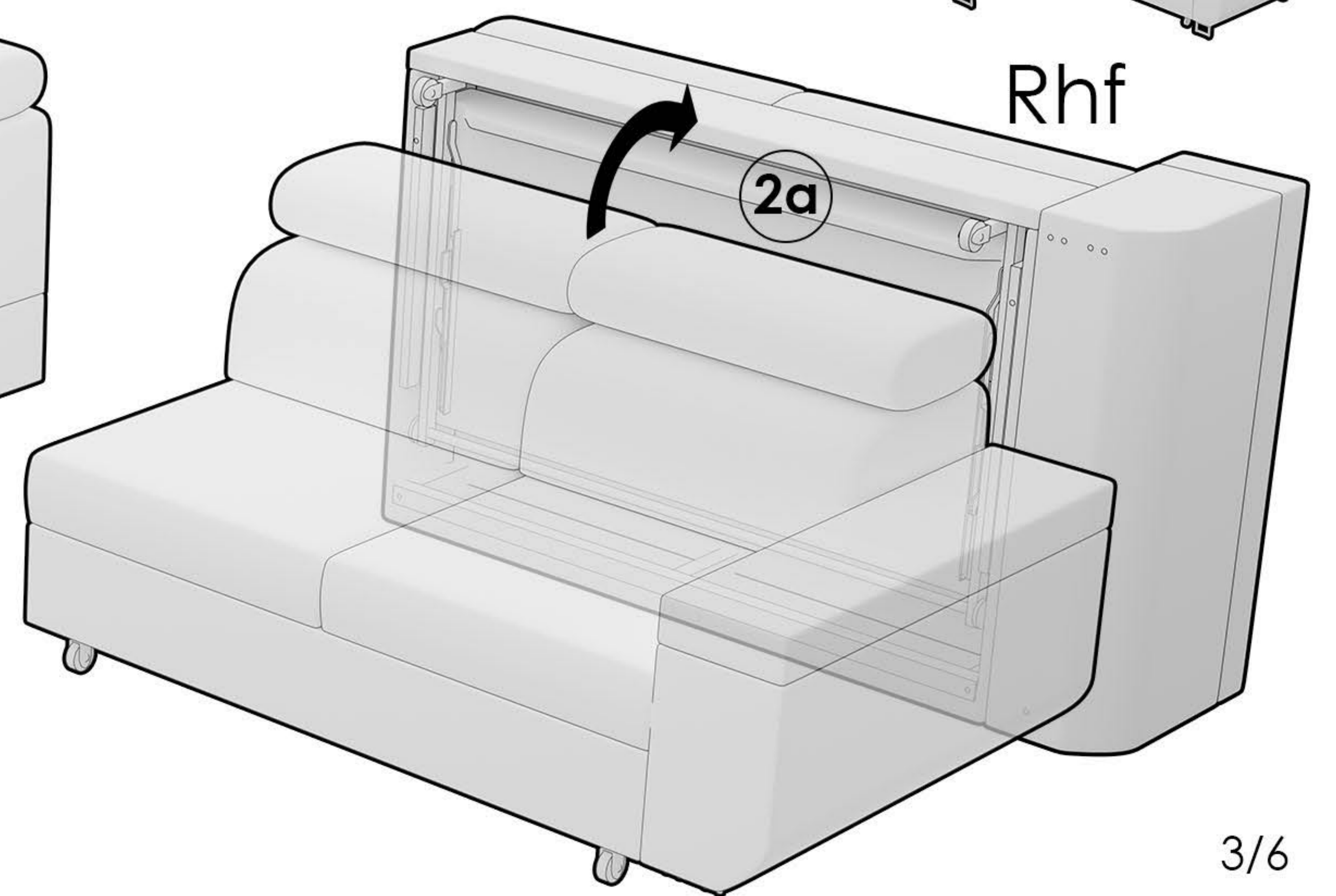
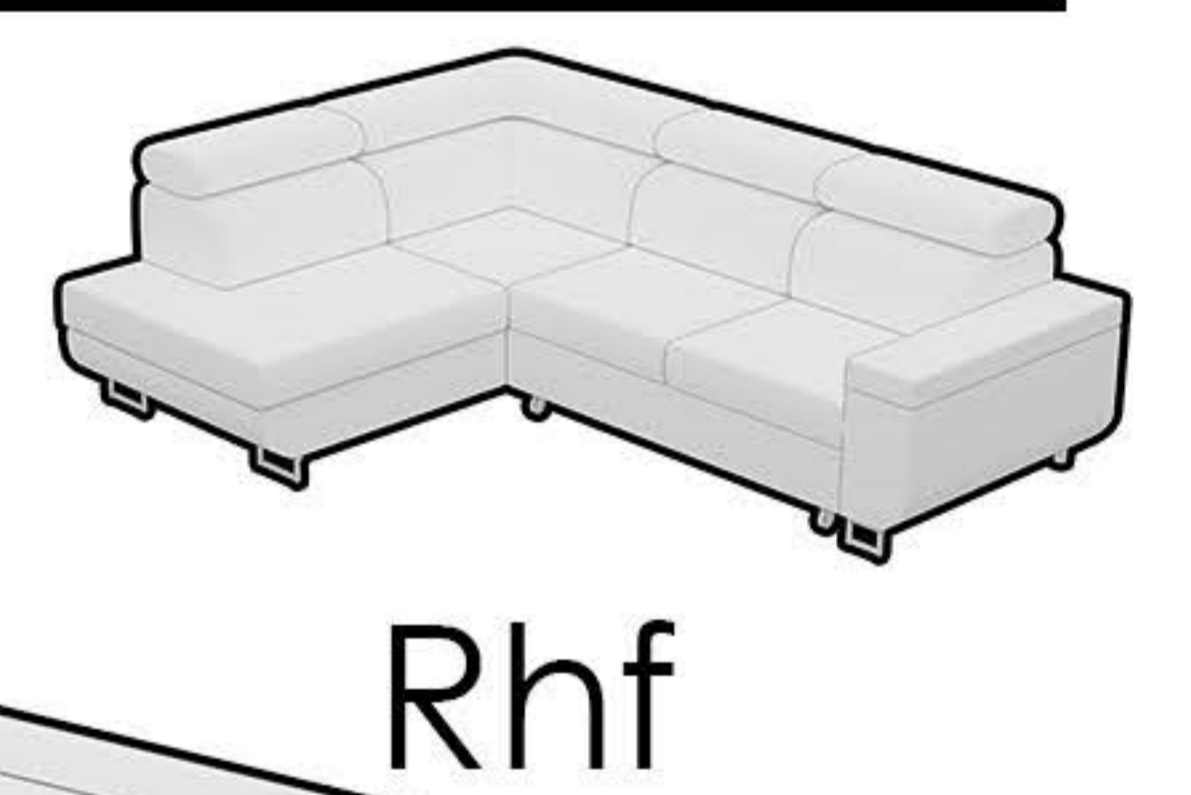
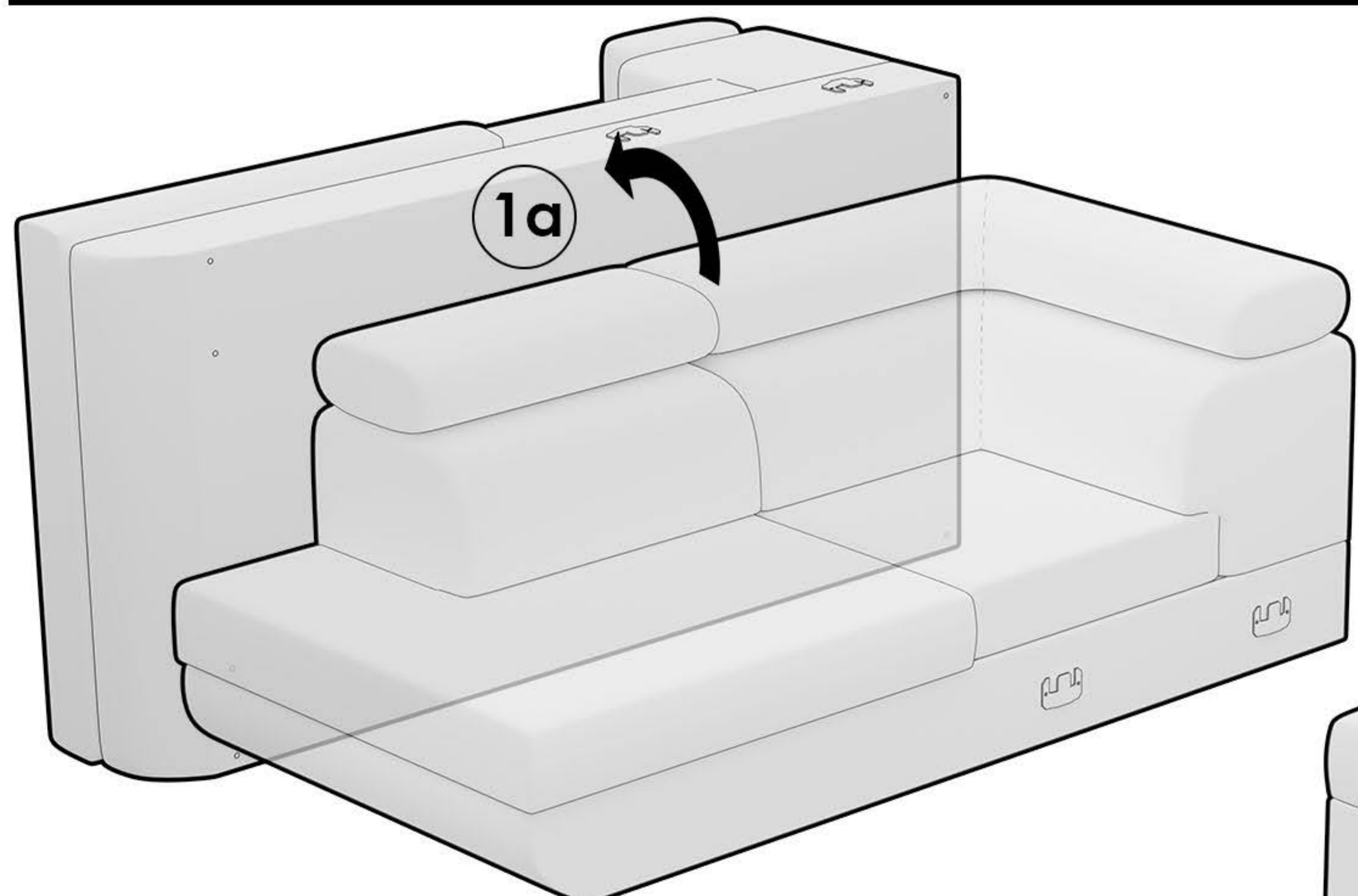
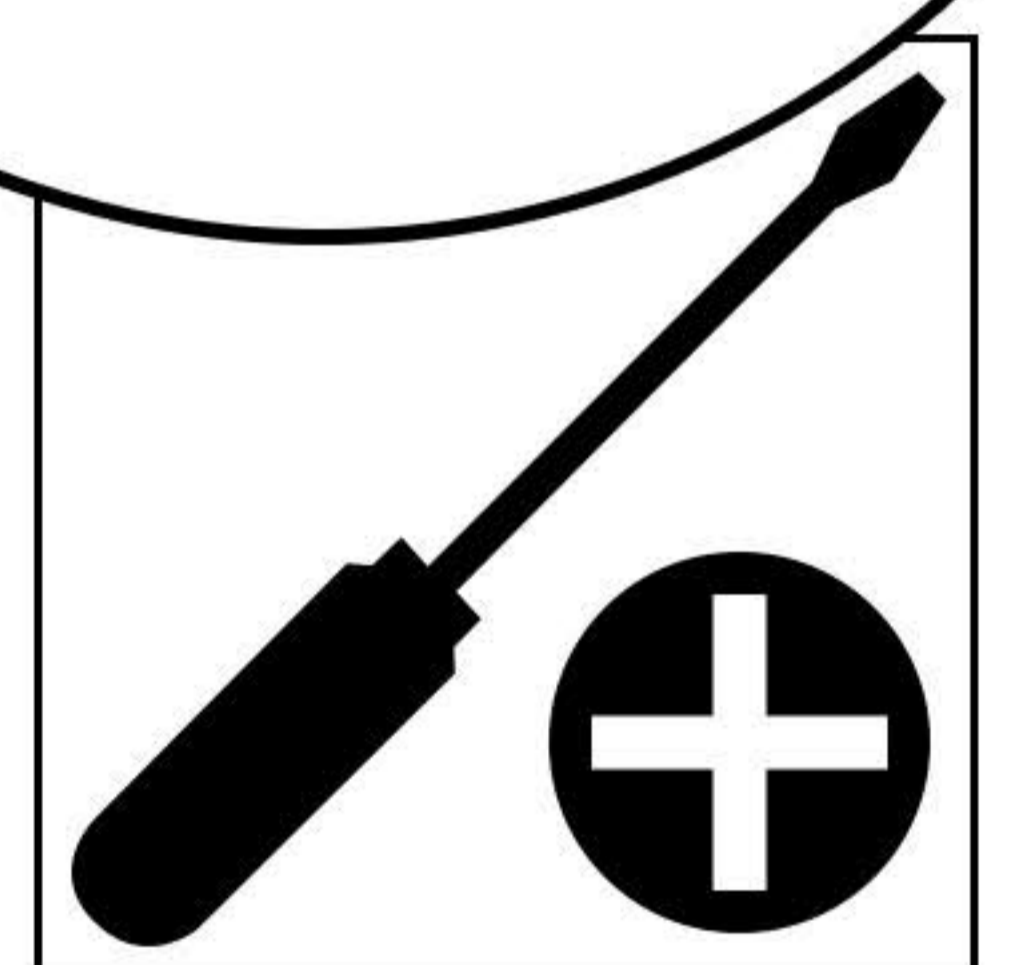
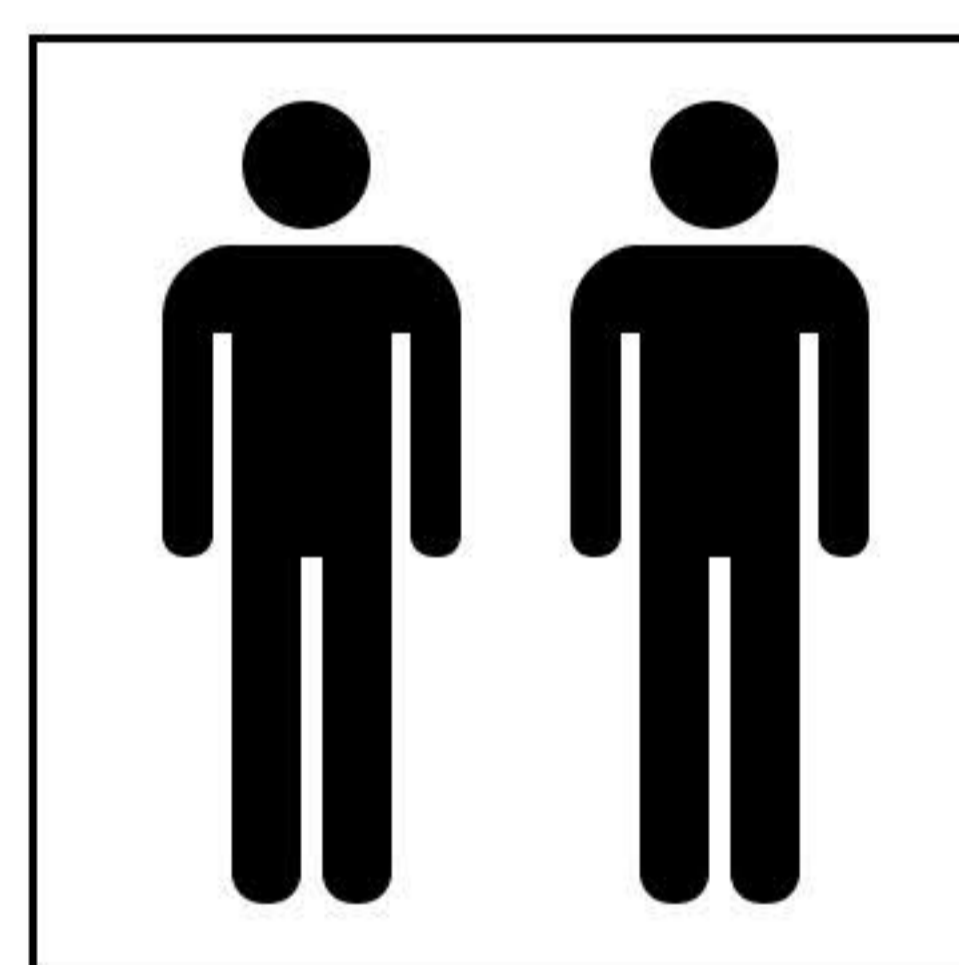
Lhf



A		M6	x6
B			x7
C			x3
D		M6	x6

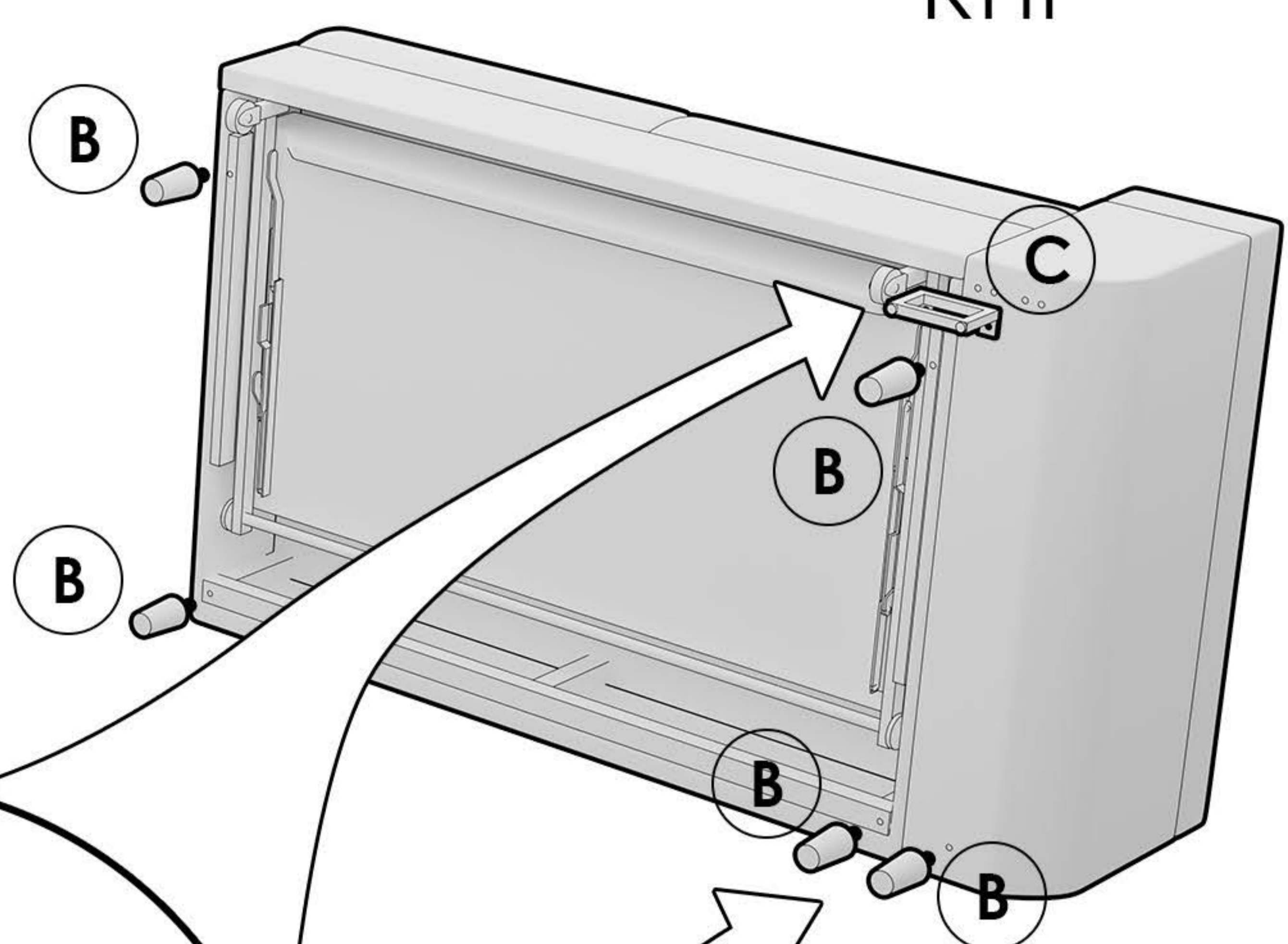
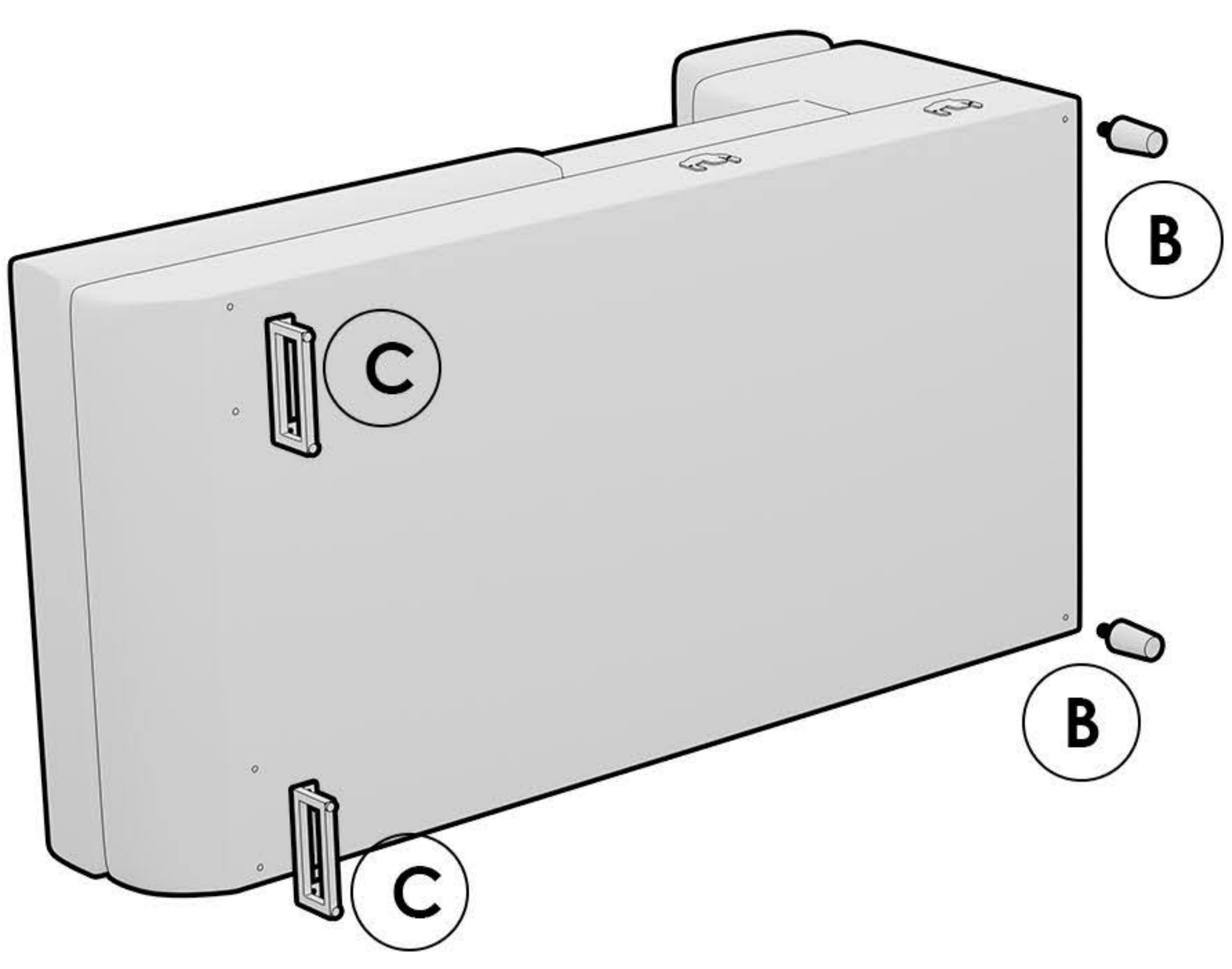




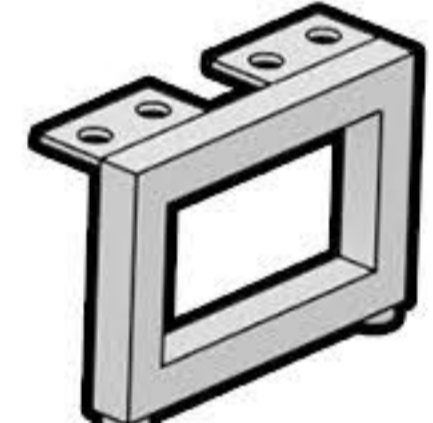

A		M6	x6
B			x7
C			x3
D		M6	x6

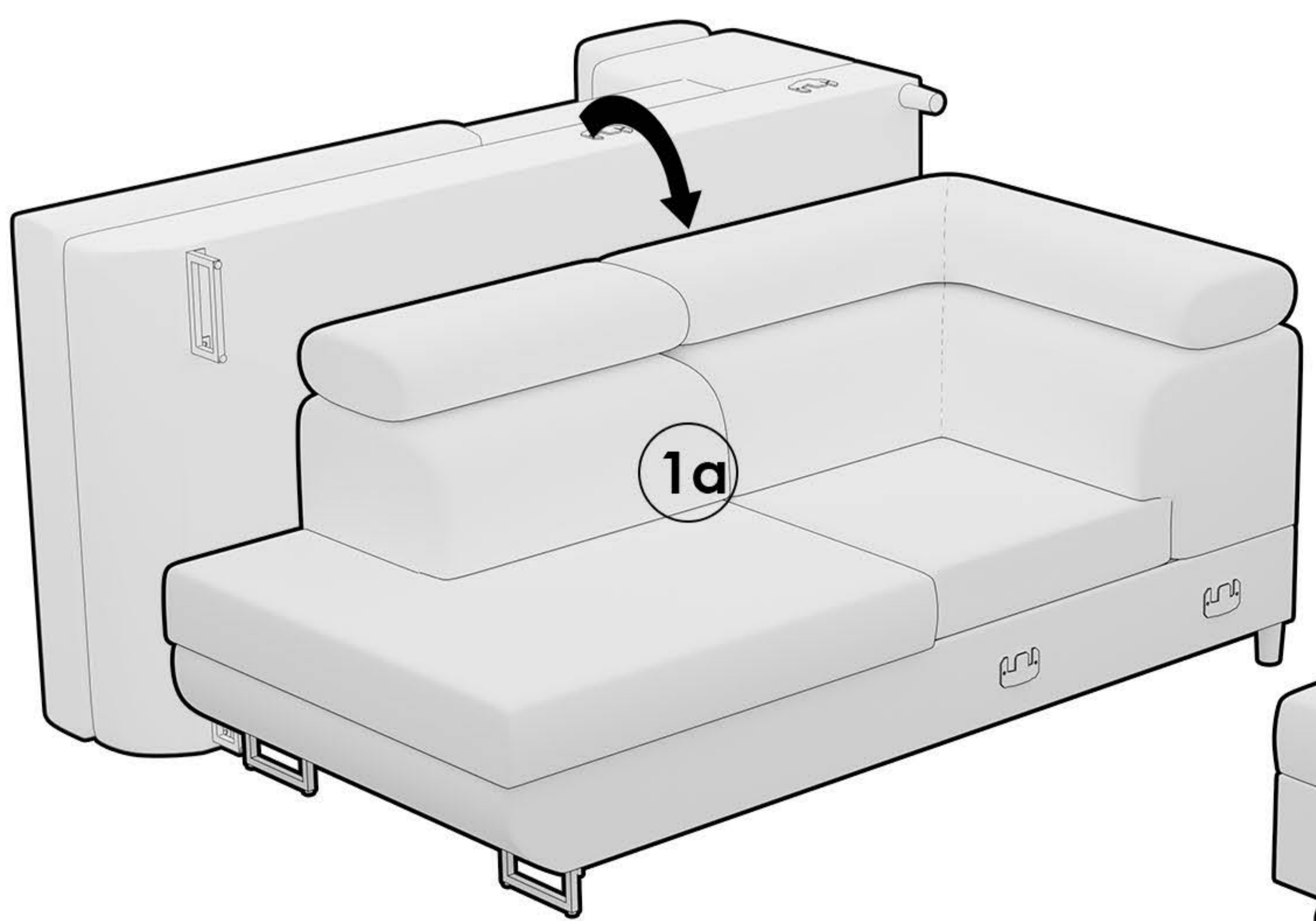
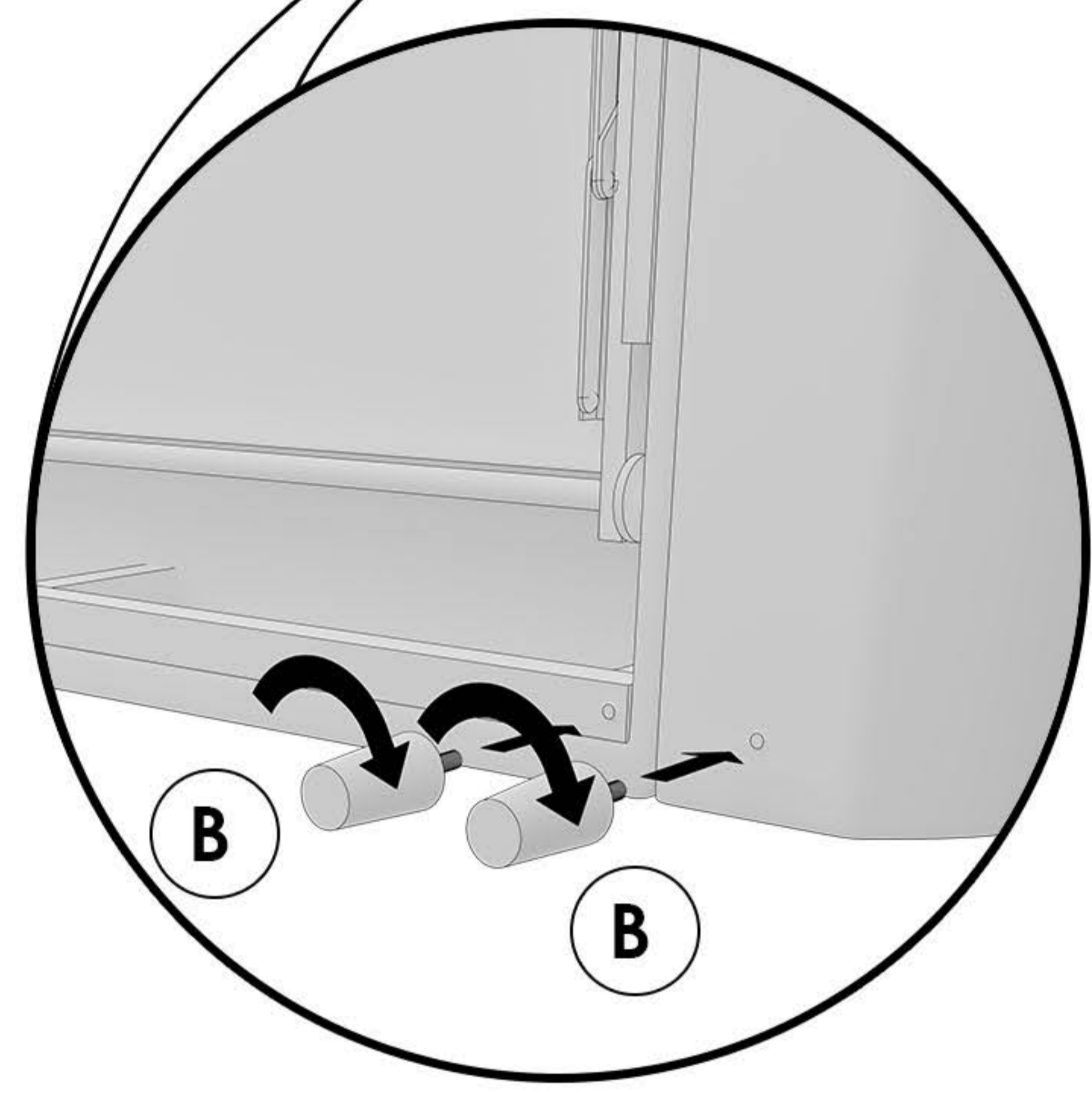
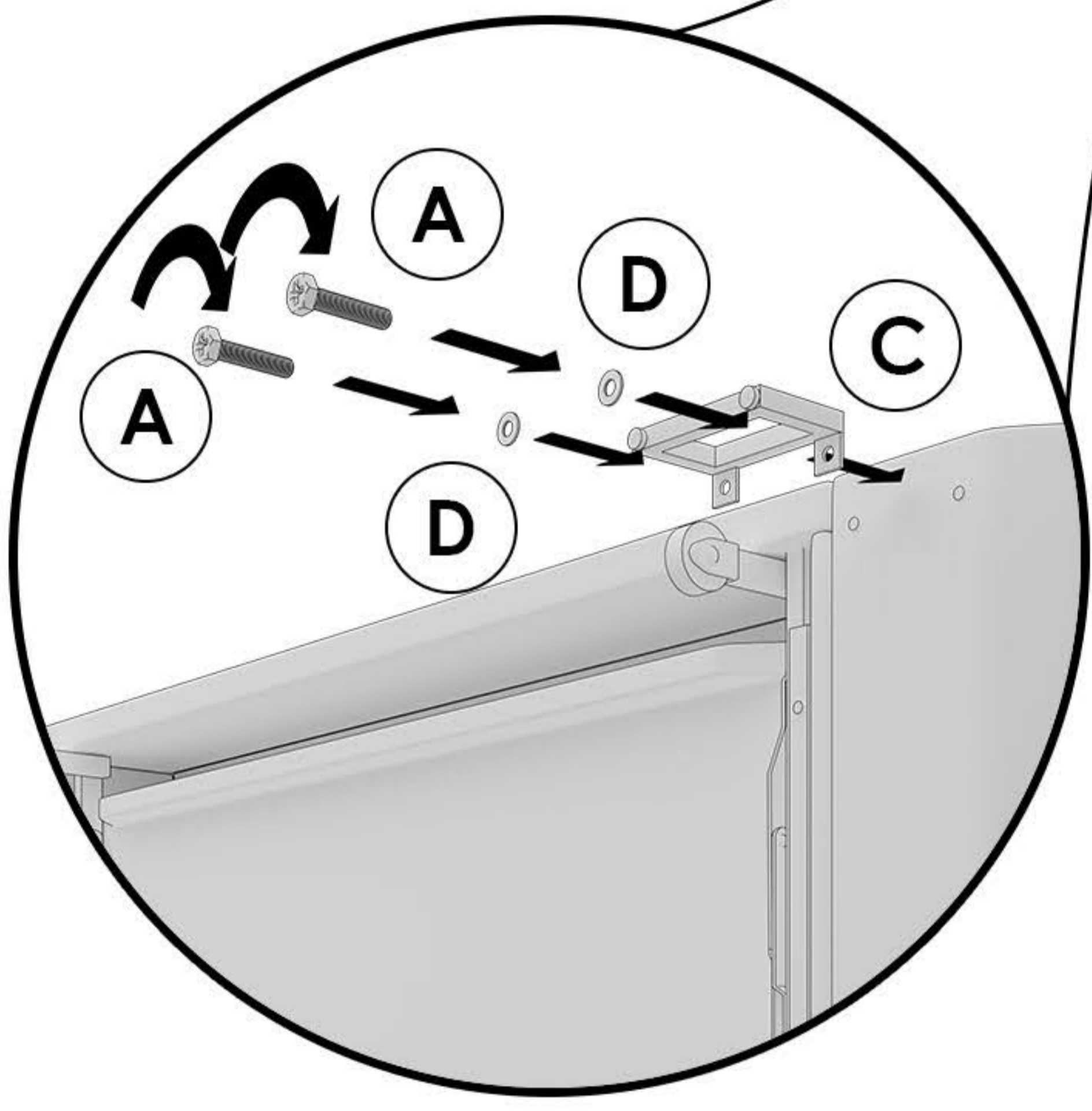




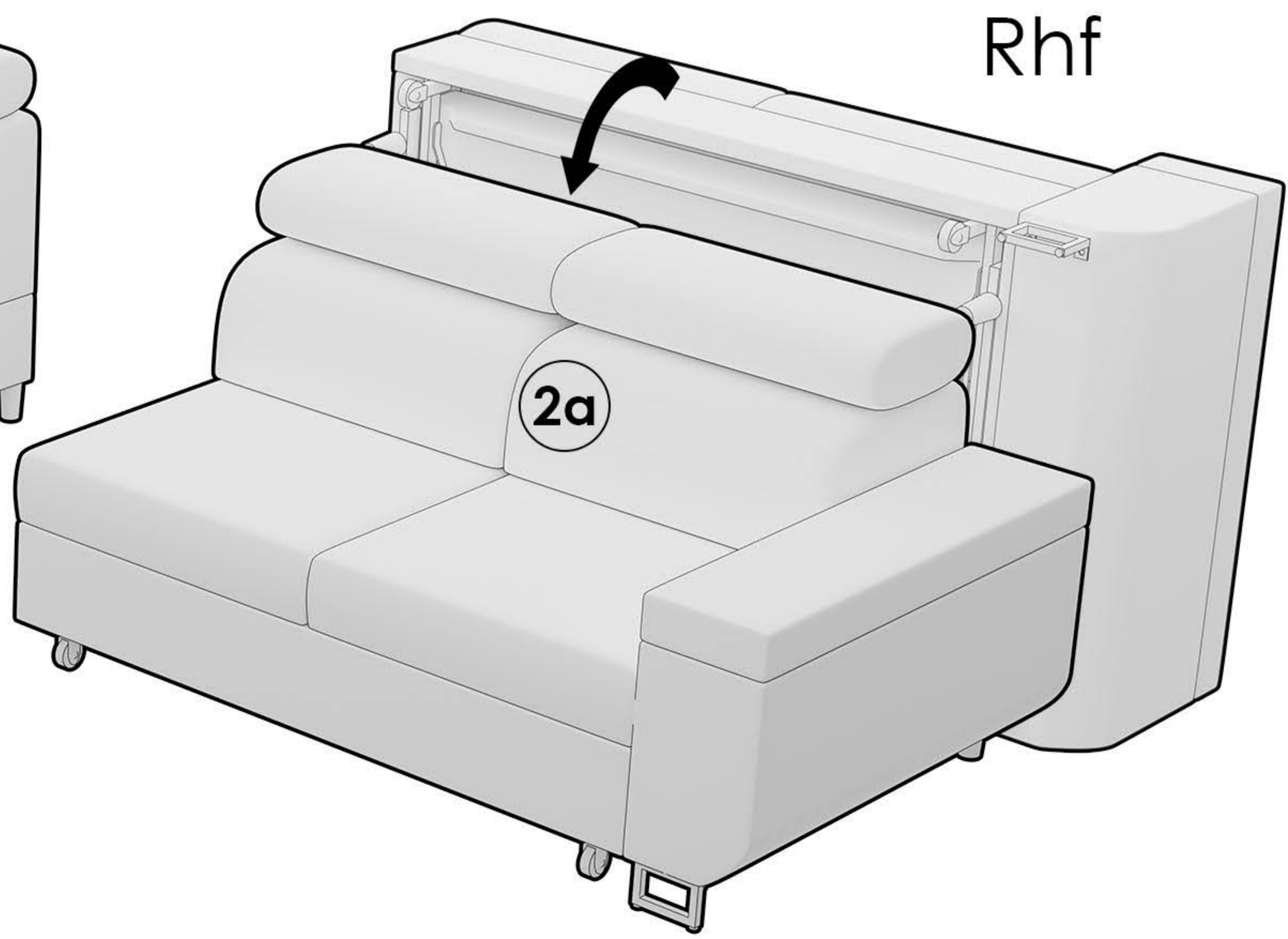
Rhf

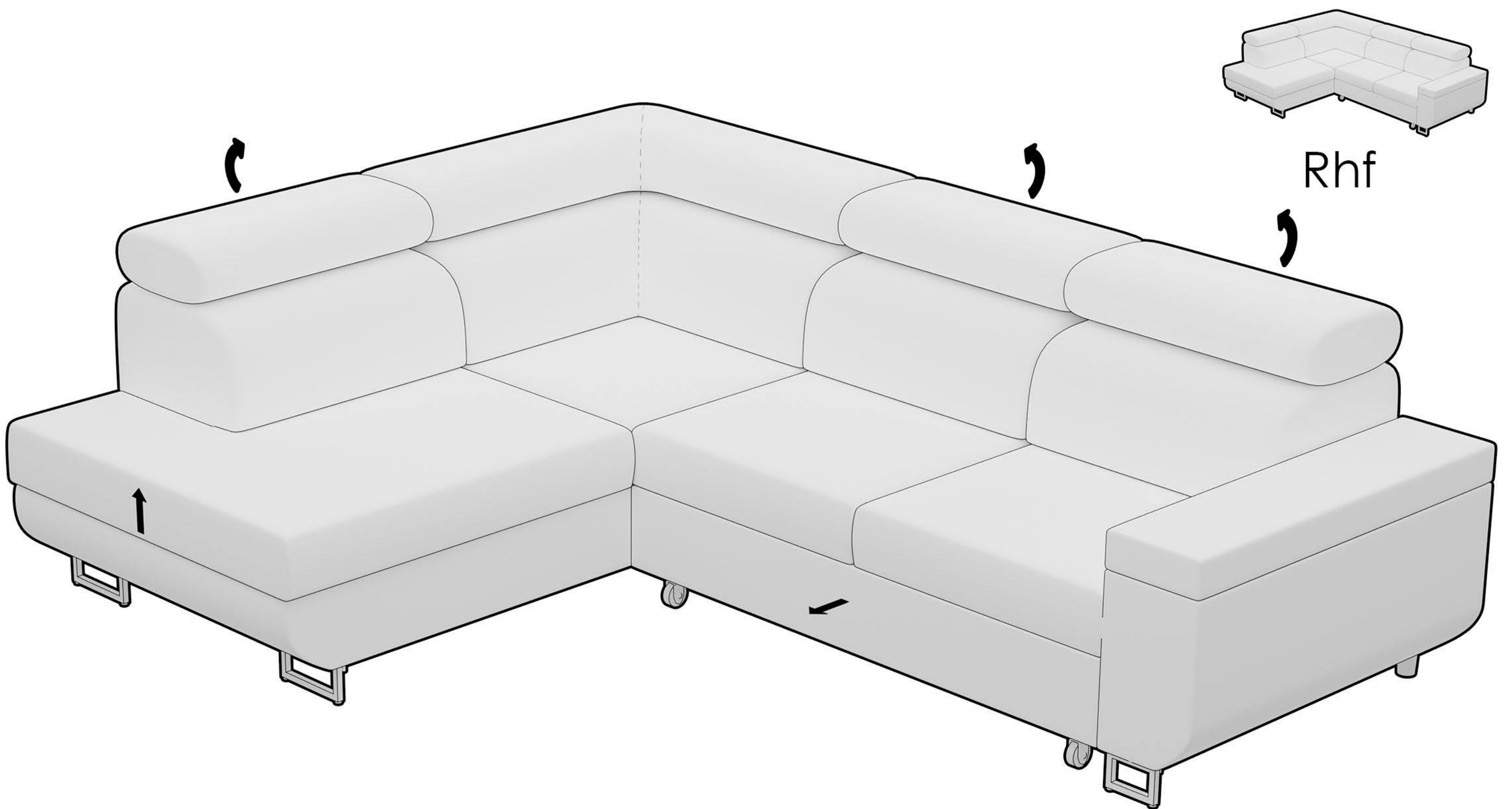
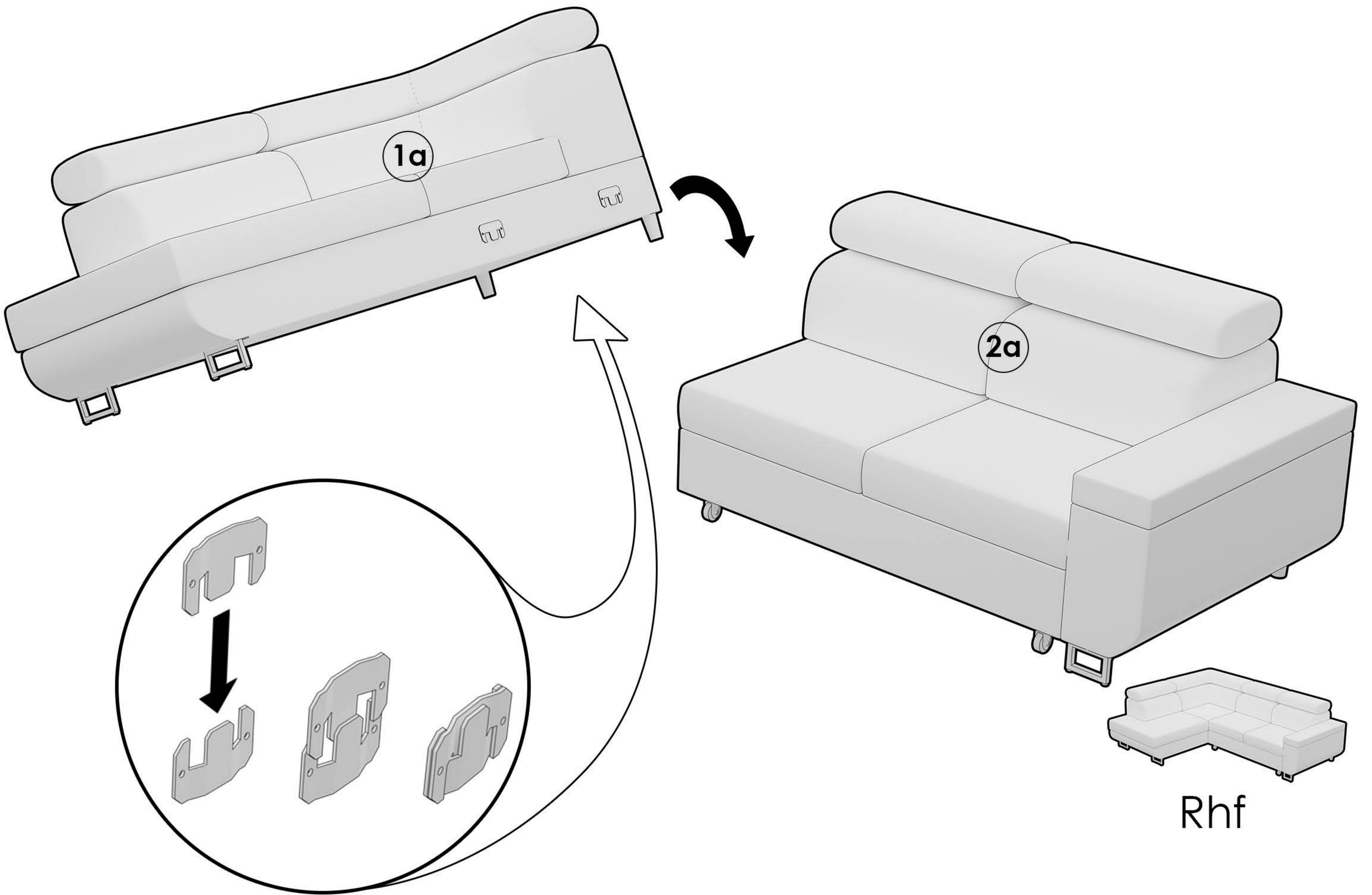


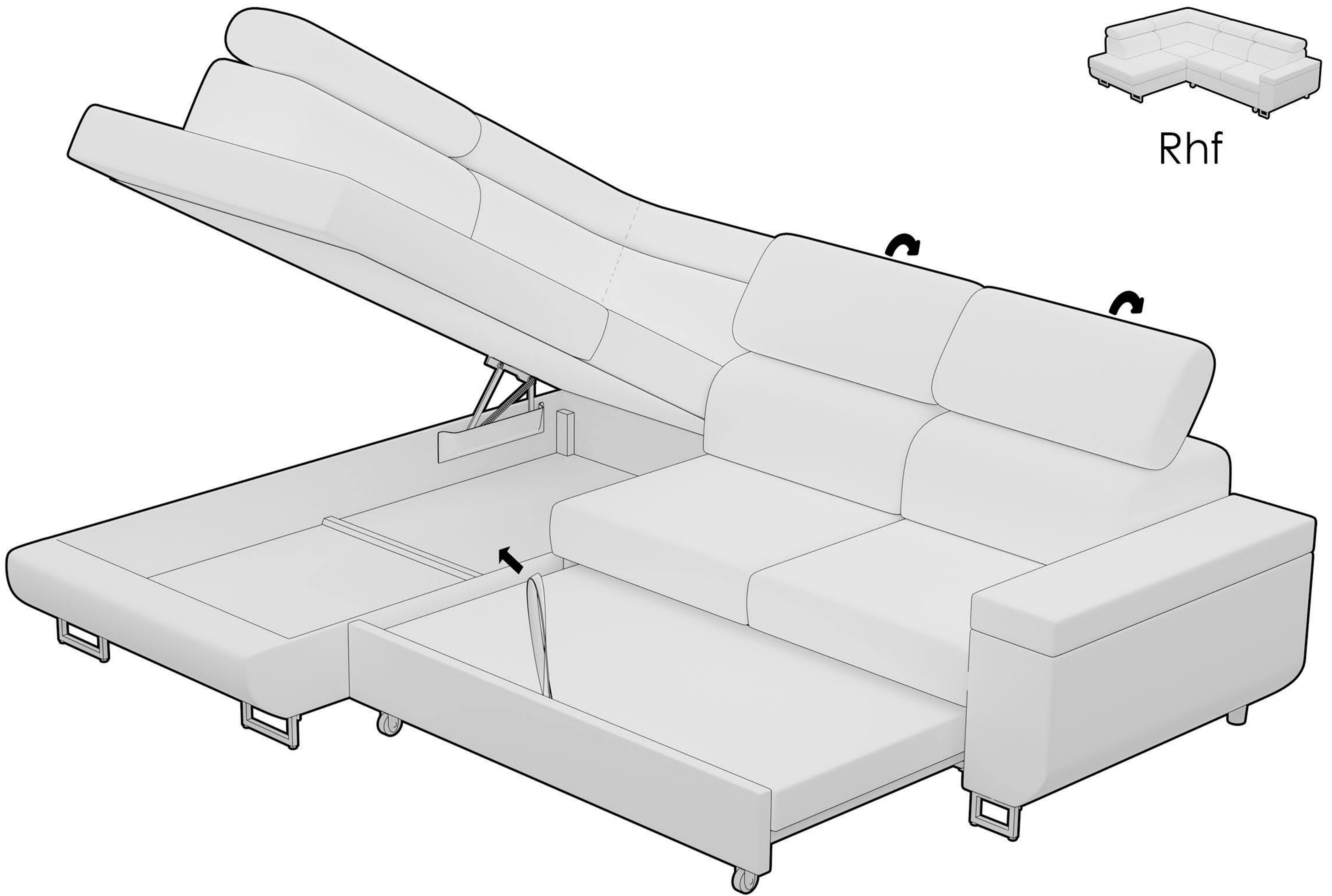
A		M6	x6
B			x7
C			x3
D		M6	x6



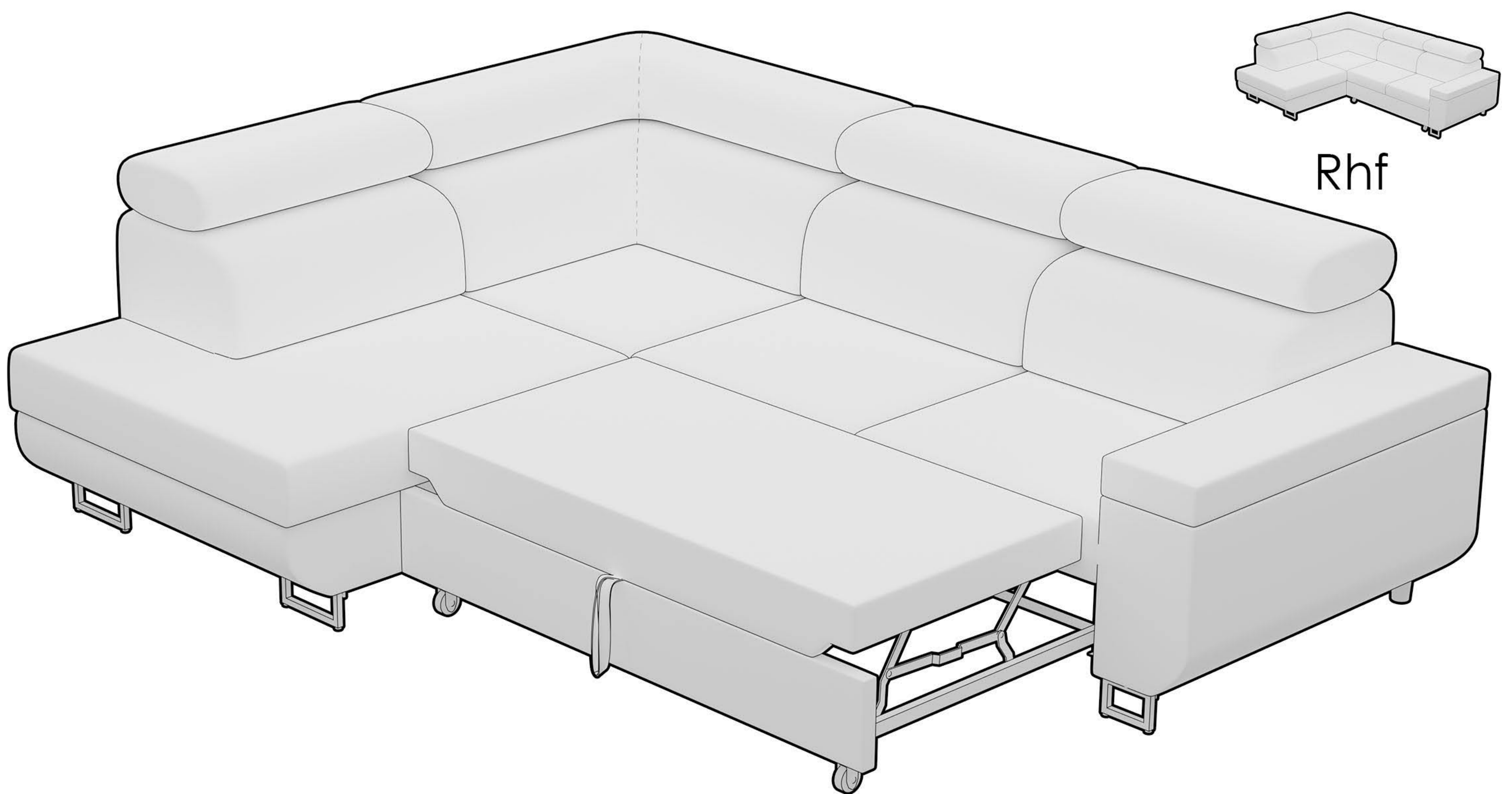
Rhf







Rhf



Rhf