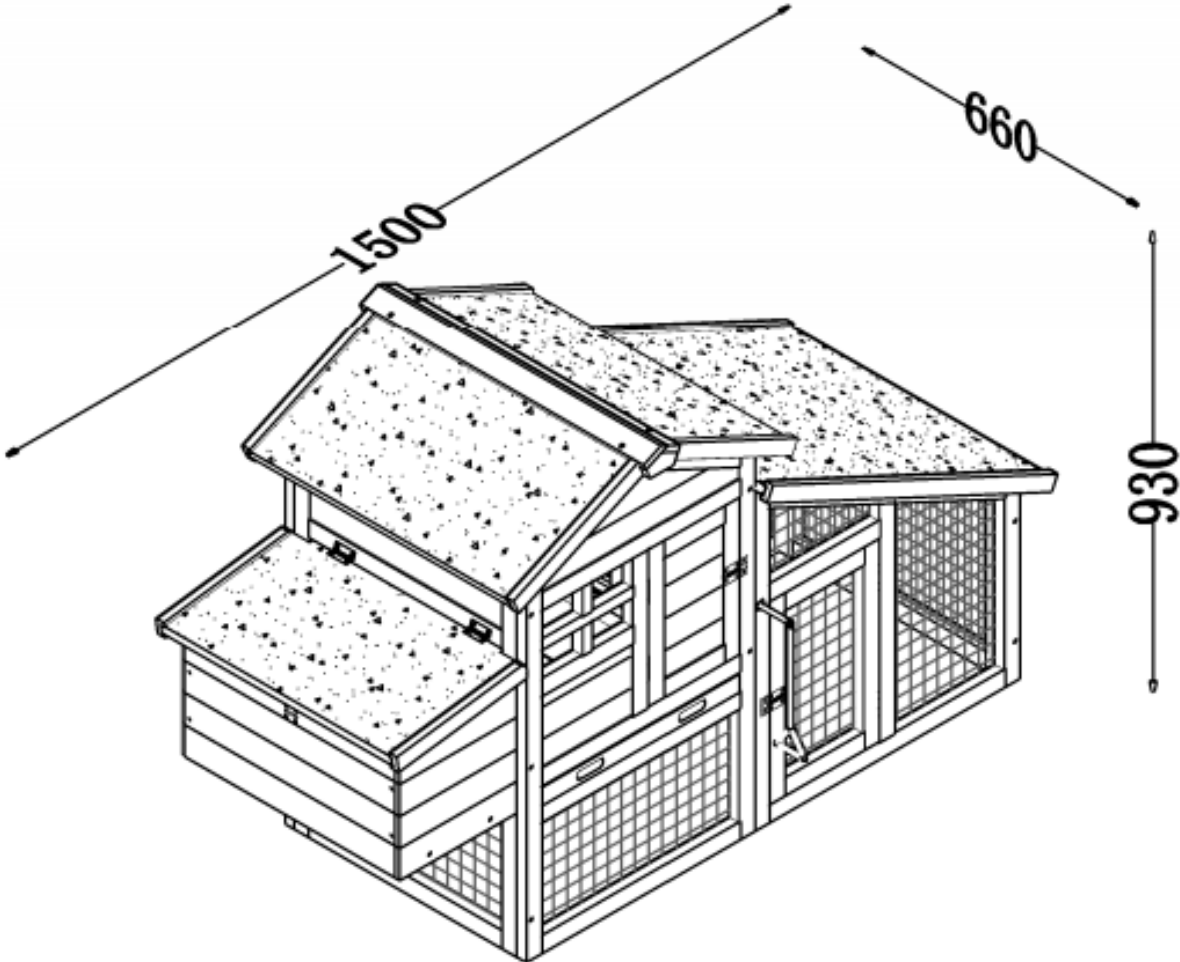





















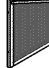
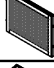





# Clochette

1486\_134392

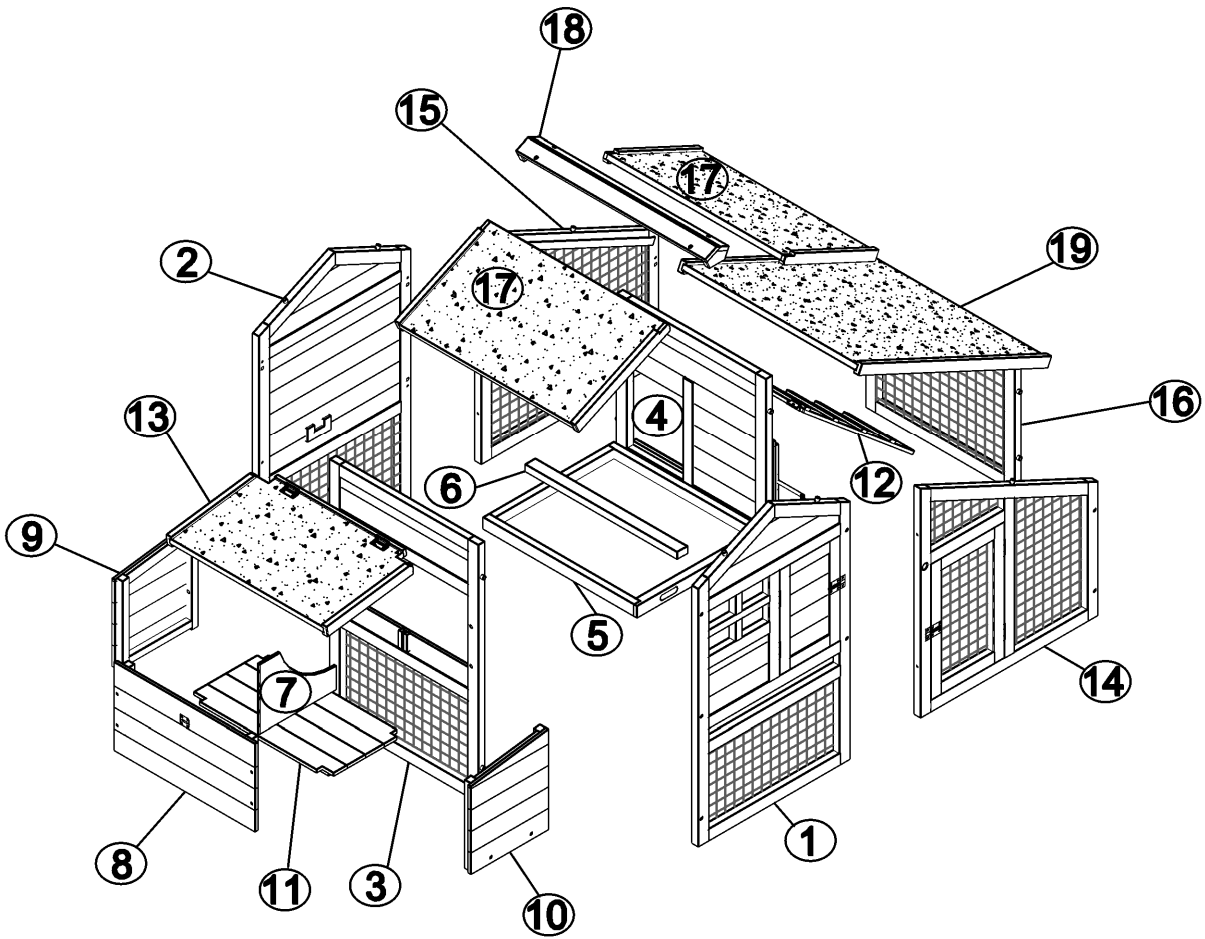


|             |   |                  |            |                          |
|-------------|---|------------------|------------|--------------------------|
| 1486_134392 |   |                  |            |                          |
| <b>A</b>    |    | <b>M6*50mm</b>   | <b>X4</b>  | <b>1/1</b>               |
| <b>B</b>    |    | <b>3.5*60mm</b>  | <b>X4</b>  | <b>1/1</b>               |
| <b>C</b>    |    | <b>3.5*40mm</b>  | <b>X14</b> | <b>1/1</b>               |
| <b>D</b>    |    | <b>3.5*35mm</b>  | <b>X12</b> | <b>1/1</b>               |
| <b>E</b>    |    | <b>3.5*25mm</b>  | <b>X8</b>  | <b>1/1</b>               |
| <b>F</b>    |    | <b>3.0*16mm</b>  | <b>X6</b>  | <b>1/1</b>               |
| <b>G</b>    |    |                  | <b>X1</b>  | <b>1/1</b>               |
| ①           |    | <b>902*530mm</b> | <b>X1</b>  | <b>1/1</b><br><b>1/1</b> |
| ②           |    | <b>902*530mm</b> | <b>X1</b>  | <b>1/1</b>               |
| ③           |    | <b>778*520mm</b> | <b>X1</b>  | <b>1/1</b>               |
| ④           |    | <b>488*520mm</b> | <b>X1</b>  | <b>1/1</b>               |
| ⑤           |    | <b>538*457mm</b> | <b>X1</b>  | <b>1/1</b>               |
| ⑥           |  | <b>634*520mm</b> | <b>X1</b>  | <b>1/1</b>               |
| ⑦           |  | <b>267*208mm</b> | <b>X1</b>  | <b>1/1</b>               |
| ⑧           |  | <b>492*265mm</b> | <b>X1</b>  | <b>1/1</b>               |
| ⑨           |  | <b>302*270mm</b> | <b>X1</b>  | <b>1/1</b>               |
| ⑩           |  | <b>302*270mm</b> | <b>X1</b>  | <b>1/1</b>               |
| ⑪           |  | <b>488*258mm</b> | <b>X1</b>  | <b>1/1</b>               |
| ⑫           |  | <b>505*165mm</b> | <b>X1</b>  | <b>1/1</b>               |
| ⑬           |  | <b>560*355mm</b> | <b>X1</b>  | <b>1/1</b>               |
| ⑭           |  | <b>693*620mm</b> | <b>X1</b>  | <b>1/1</b>               |
| ⑮           |  | <b>693*620mm</b> | <b>X1</b>  | <b>1/1</b>               |
| ⑯           |  | <b>404*520mm</b> | <b>X1</b>  | <b>1/1</b>               |
| ⑰           |  | <b>631*355mm</b> | <b>X2</b>  | <b>1/1</b>               |
| ⑱           |  | <b>660*81mm</b>  | <b>X1</b>  | <b>1/1</b>               |
| ⑲           |  | <b>730*631mm</b> | <b>X1</b>  | <b>1/1</b><br><b>1/1</b> |

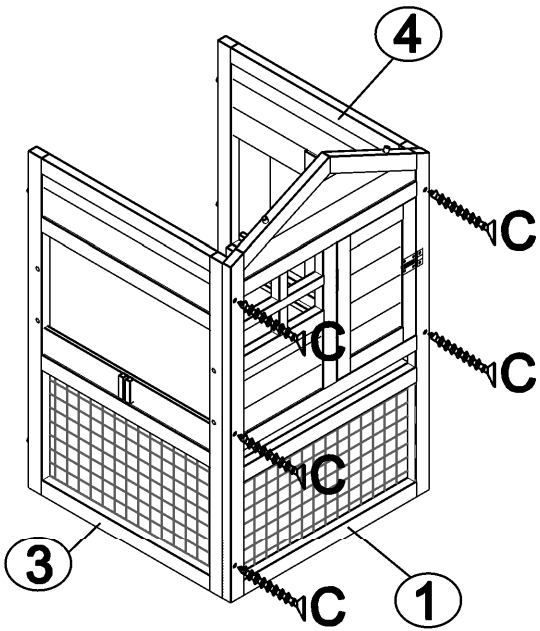
FR : SAV/INFORMATION /VIDEO/CONTACT  
EN: AFTER-SALES SERVICE/INFORMATION/VIDEO/CONTACT  
DE : REPARATUR-SERVICE UND ERSATZTEILE //INFORMATIONEN /VIDEO/KONTAKT  
ES: SERVICIO POST-VENTA/INFORMACIÓN/VIDEO/CONTACTO  
IT: SERVIZIO ASSISTENZA/INFORMAZIONI/VIDEO/CONTATTO  
PT: SERVIÇO PÓS-VENDA/INFORMAÇÕES/VIDEO/CONTATO  
PL: SERWIS TECHNICZNY//INFORMACJE/WIDEO/KONTAKT  
NE: AFTER SALES SERVICE/INFORMATIE/VIDEO/CONTACT  
HE: חר שירות ומכירות/מידע /הווידאו/לתקשר עם

SAV.HABITATETJARDIN.COM

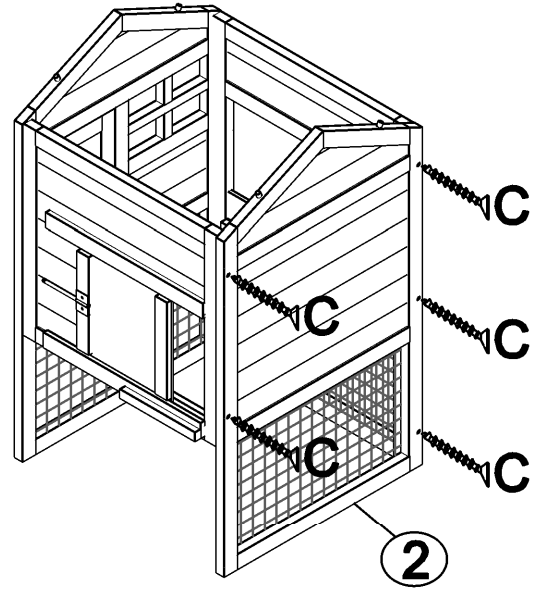
2023-2024



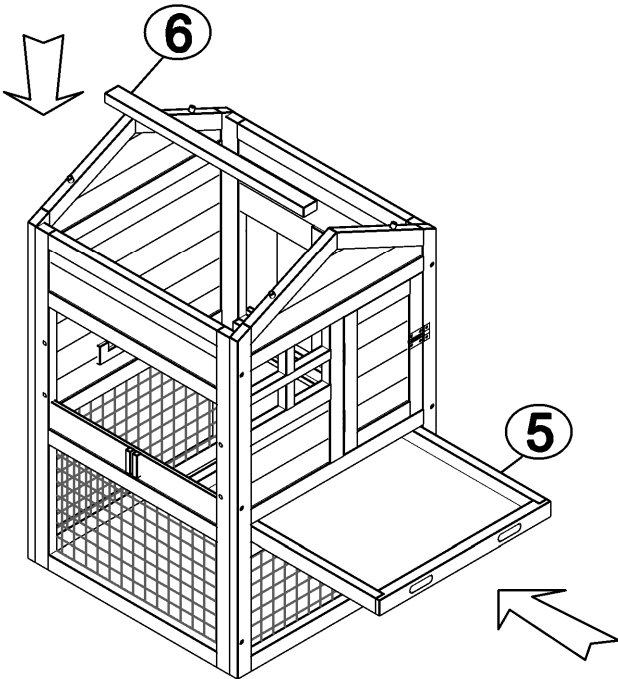
1



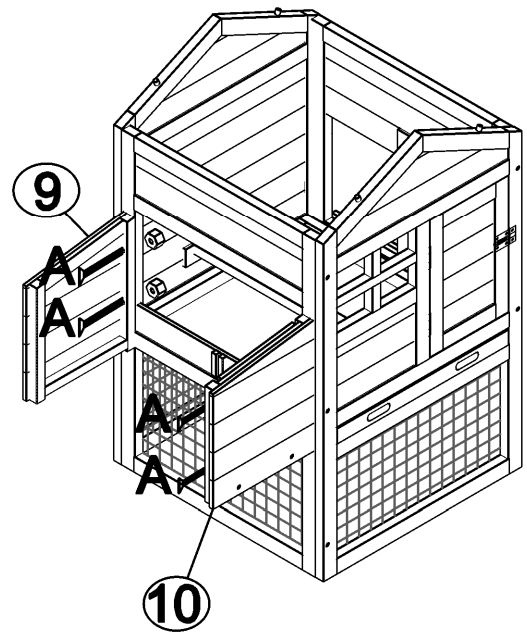
2



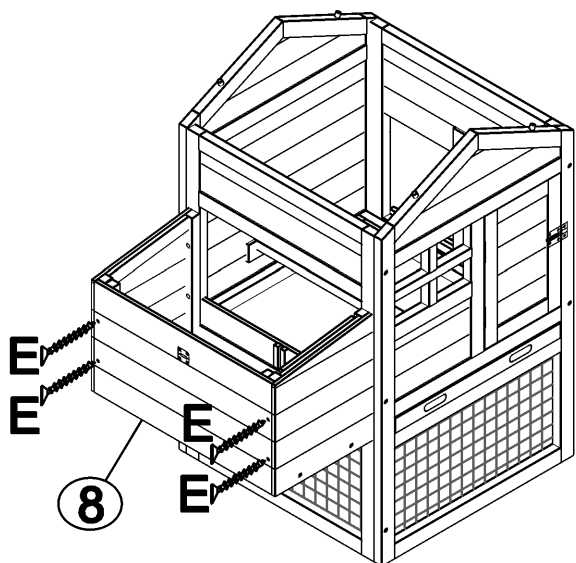
3



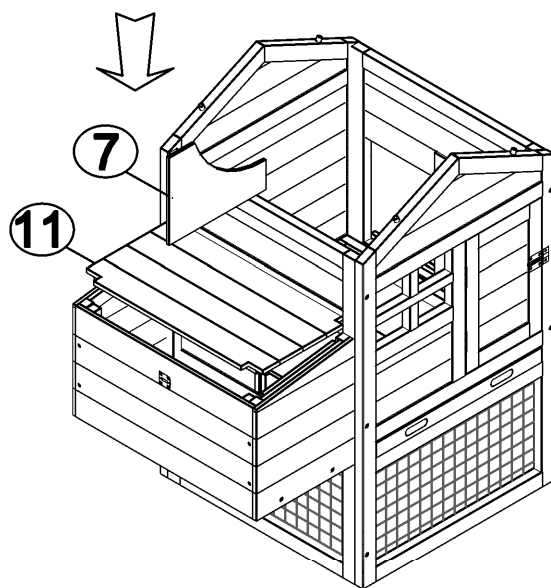
4



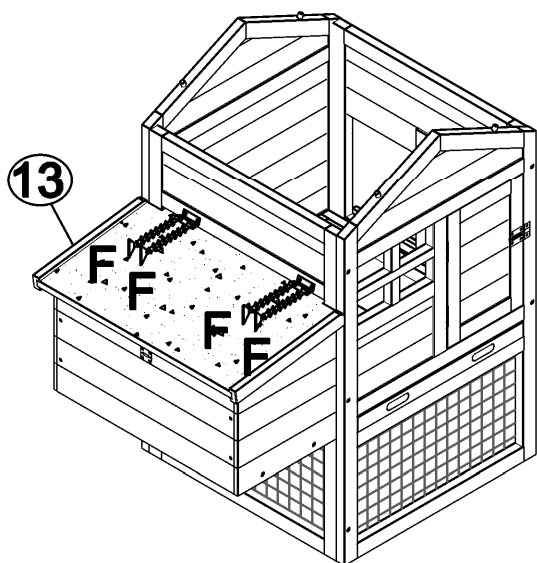
5



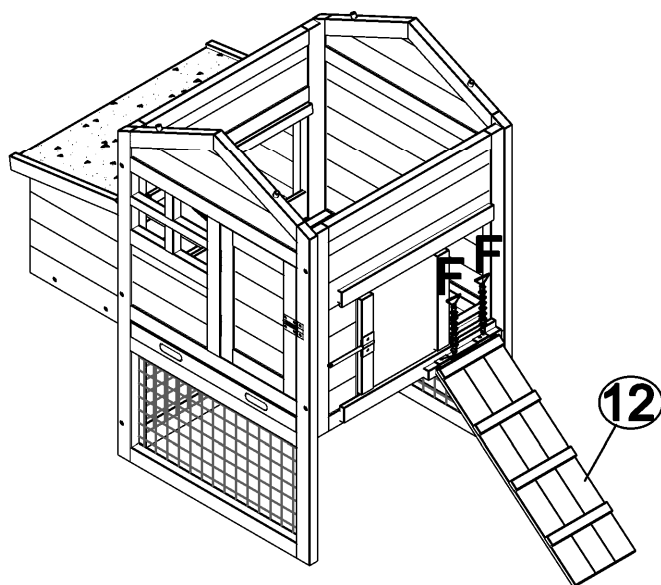
6



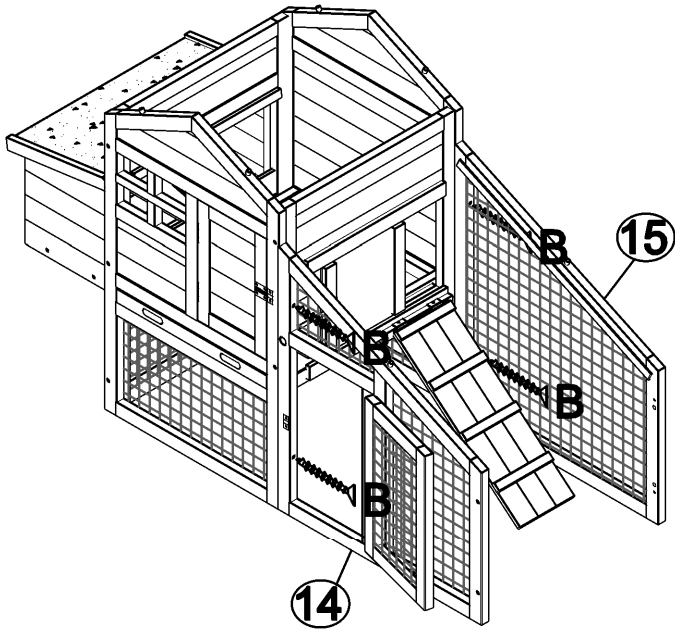
7



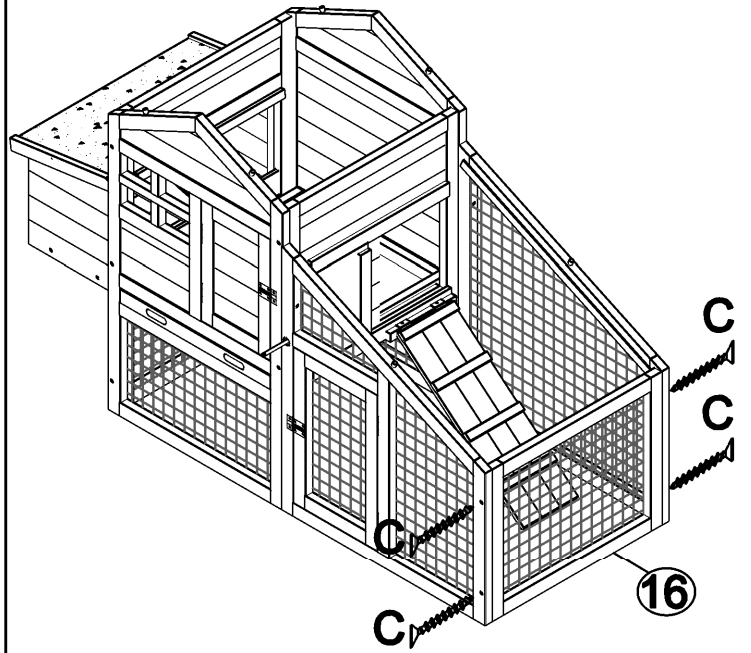
8



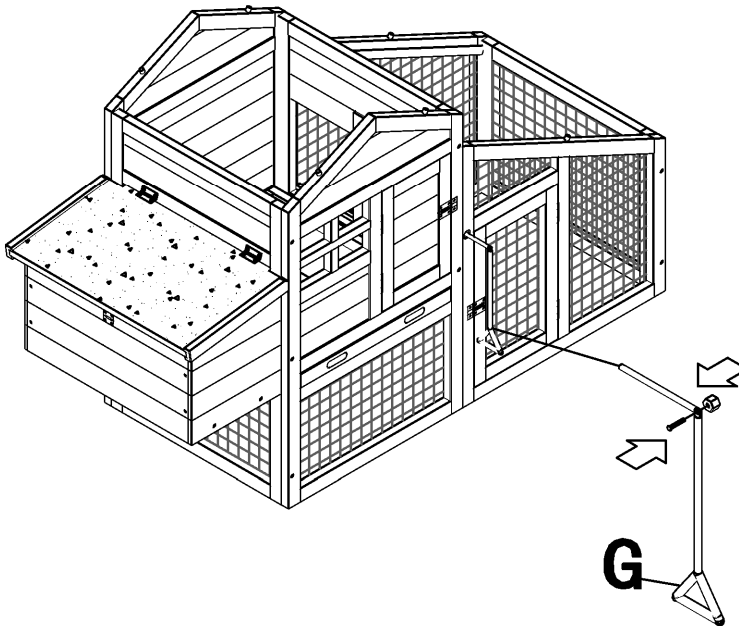
9



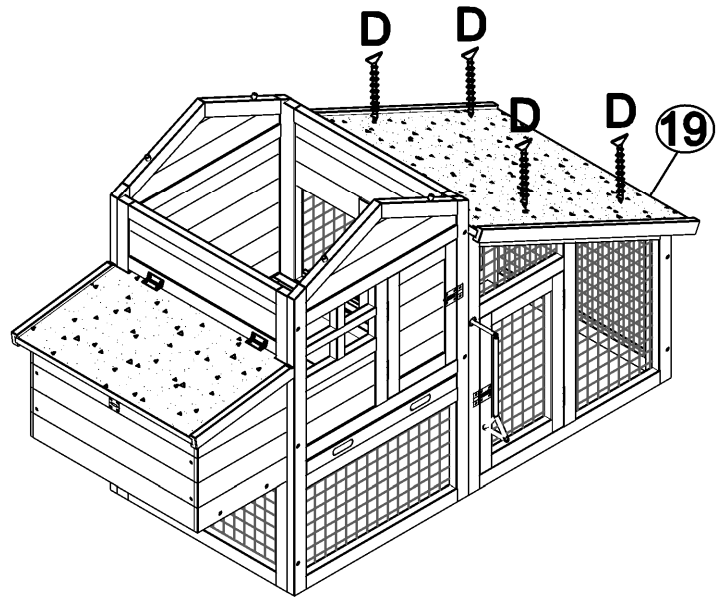
10



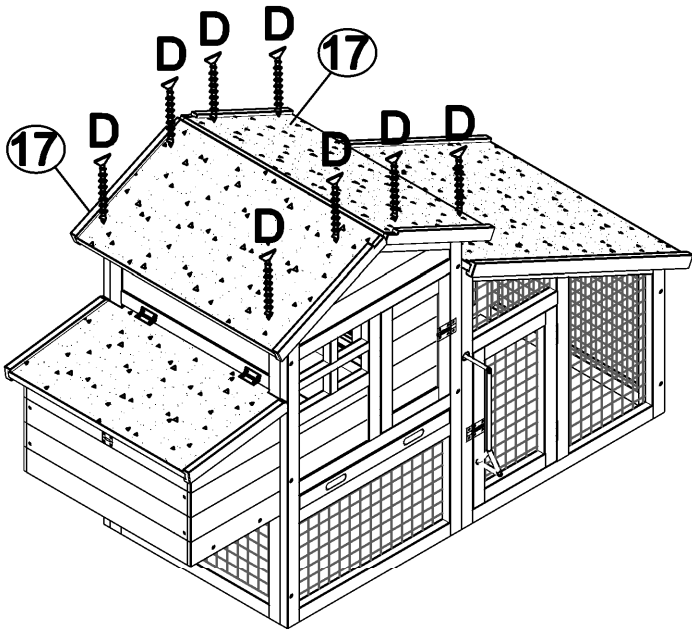
11



12



13



14

