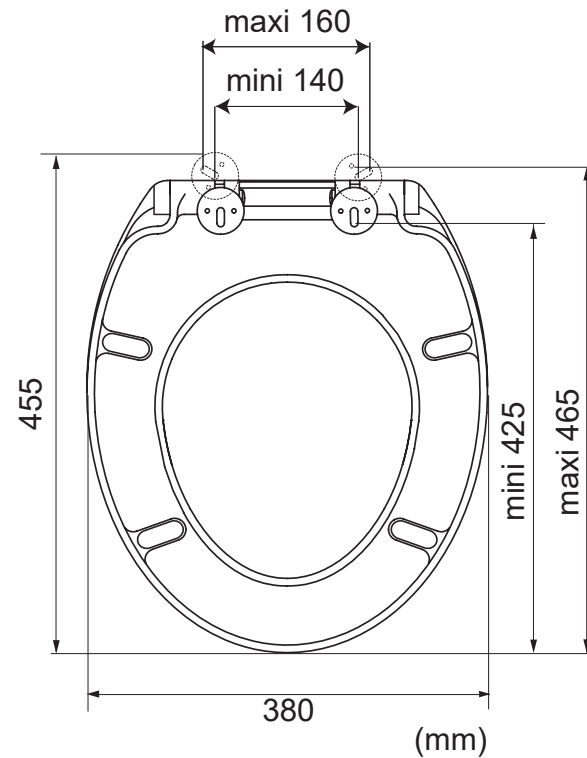
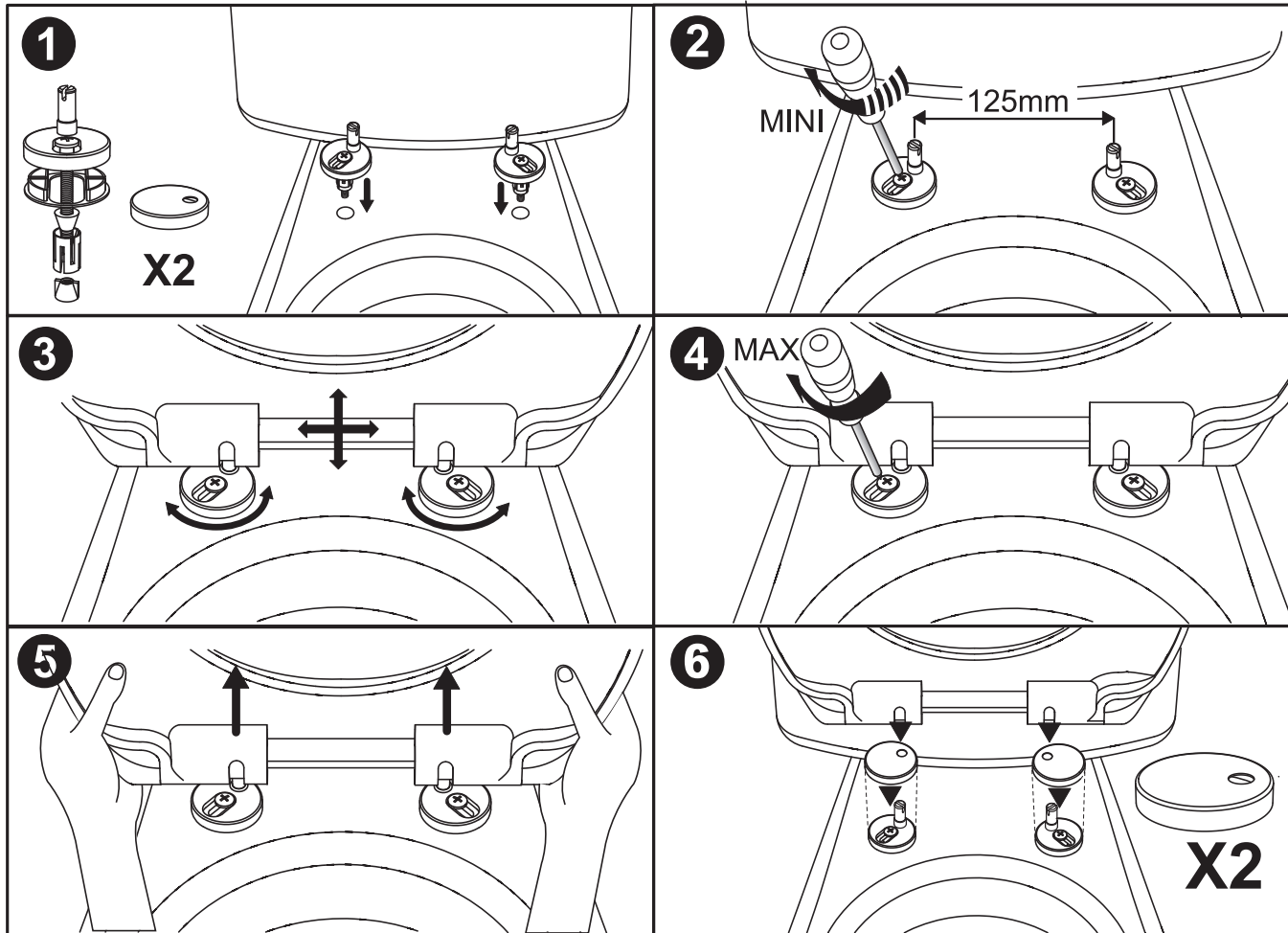


X2



814067
KARMA nm Rev A2