



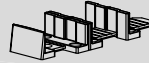
x1



x2



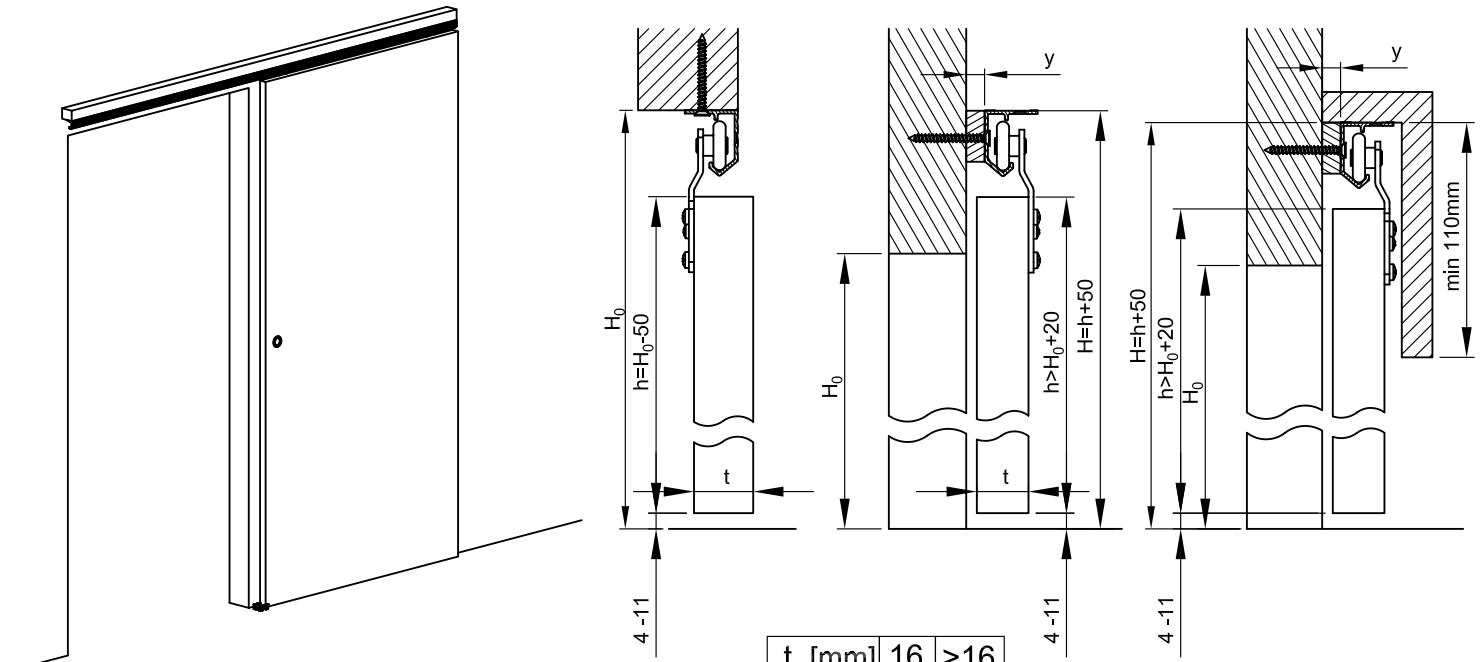
x2



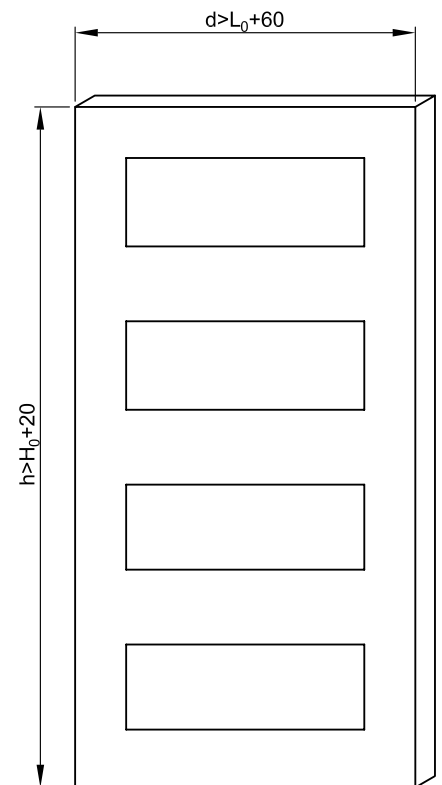
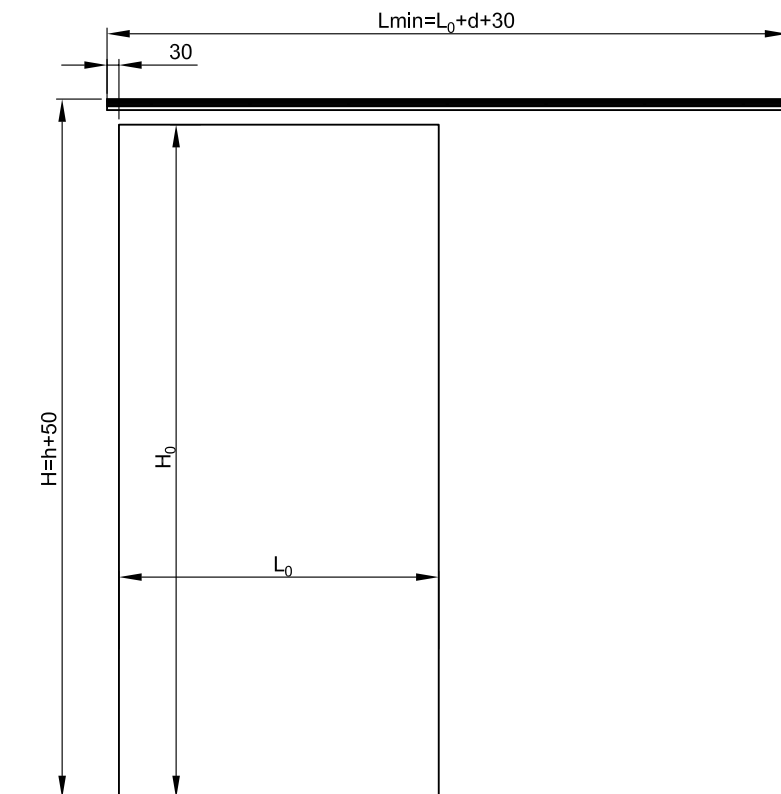
x1

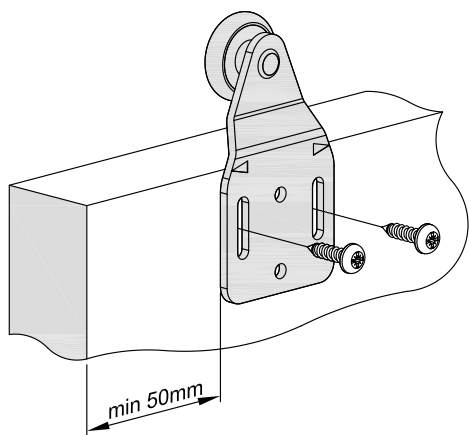


45
 KG

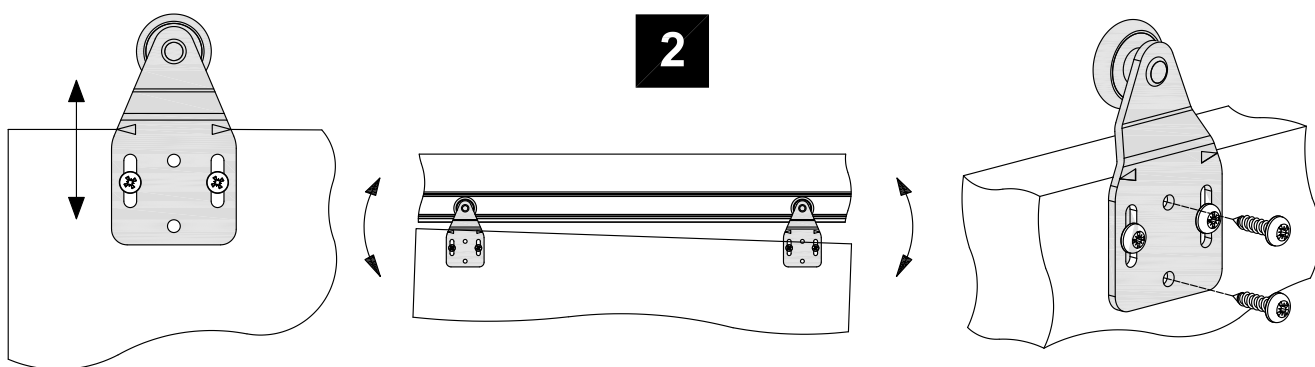
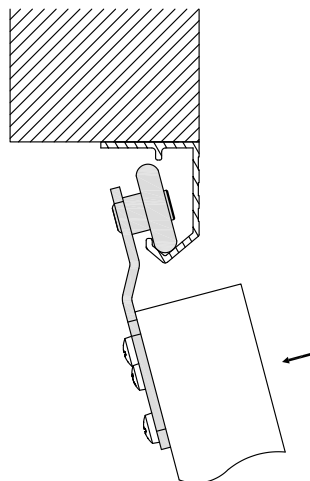


t [mm]	16	>16
y [mm]	0	t-16



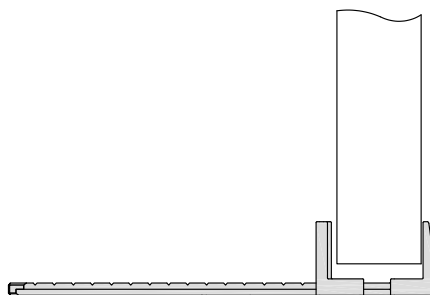
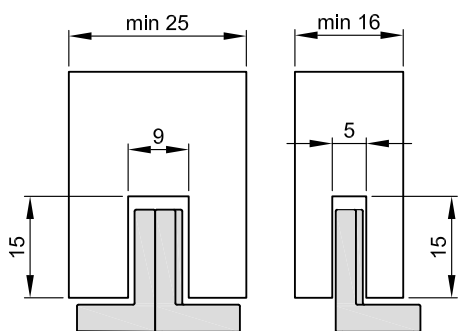
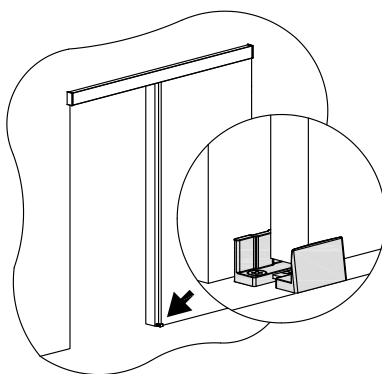


1

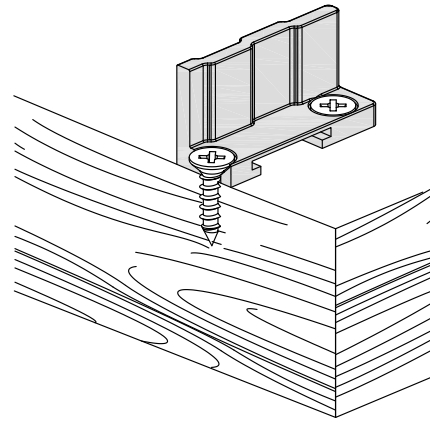
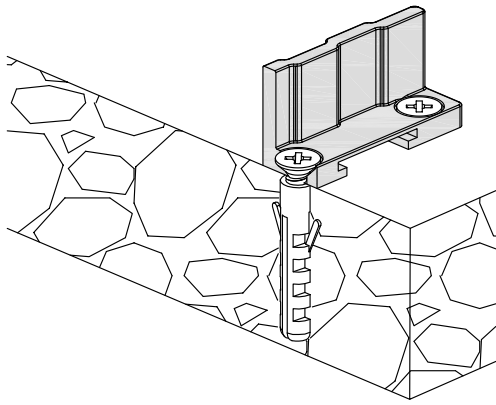


2

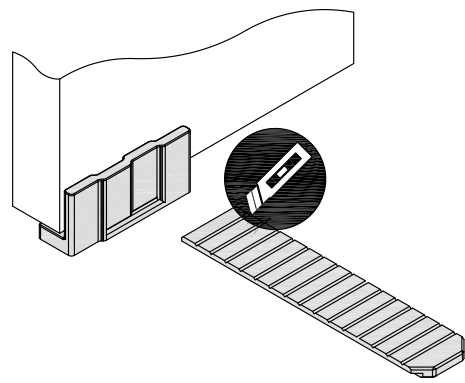
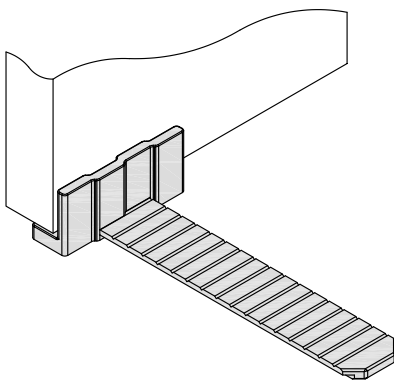
3



4



5



6

