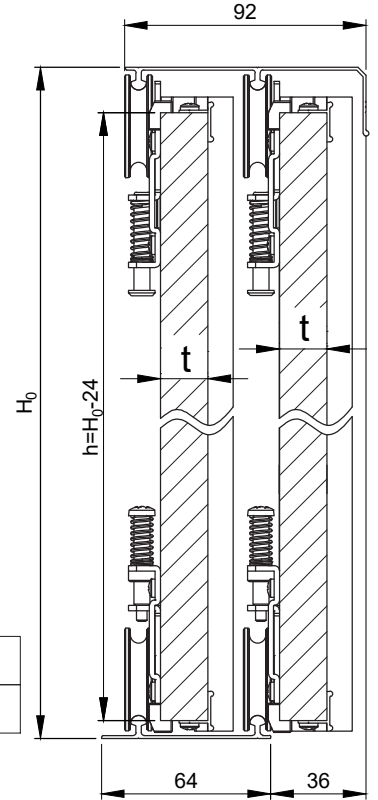
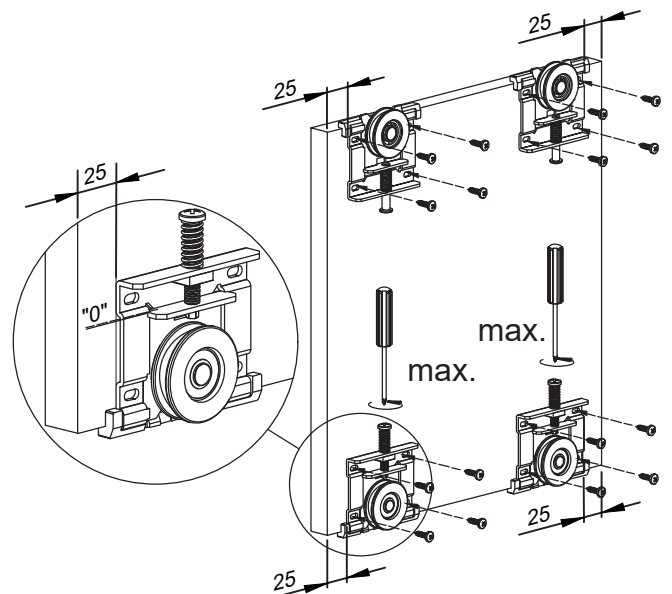
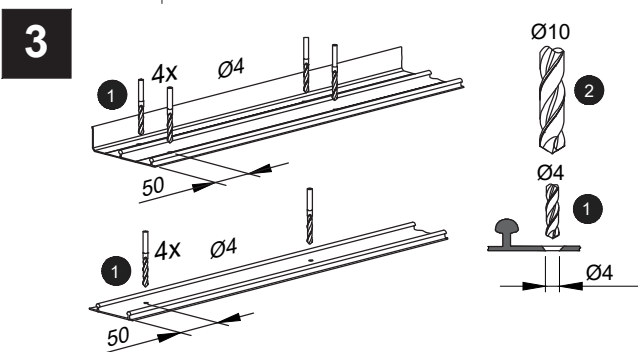
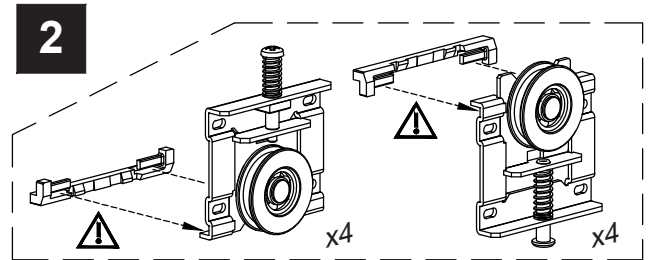
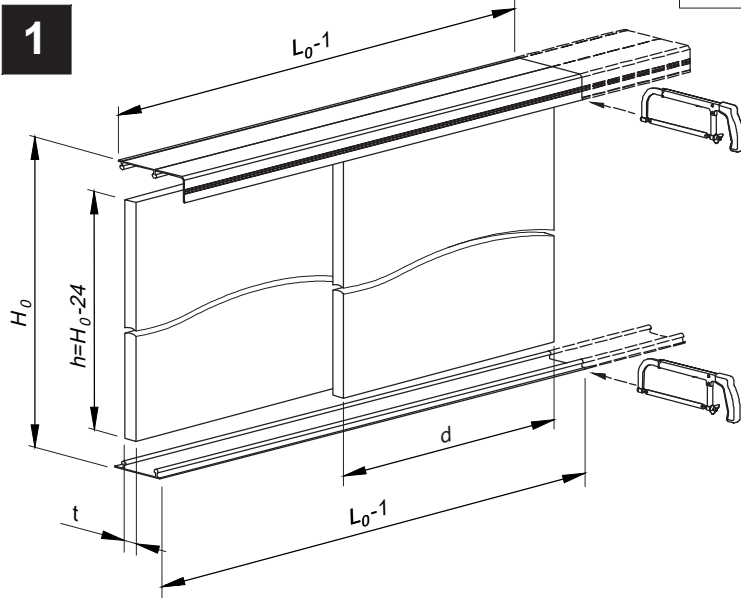


$$d = \frac{L_0 + (n-1) \cdot z}{n}$$

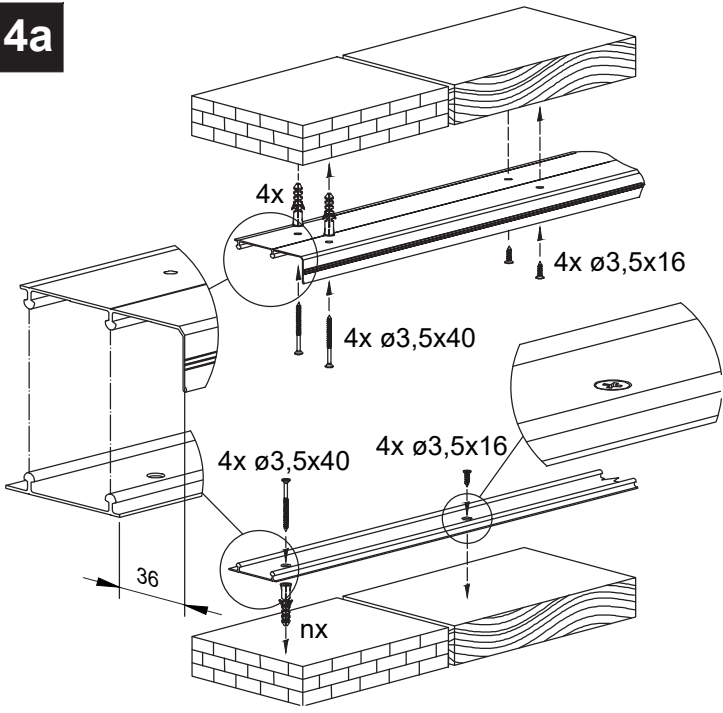
$$z = 40$$



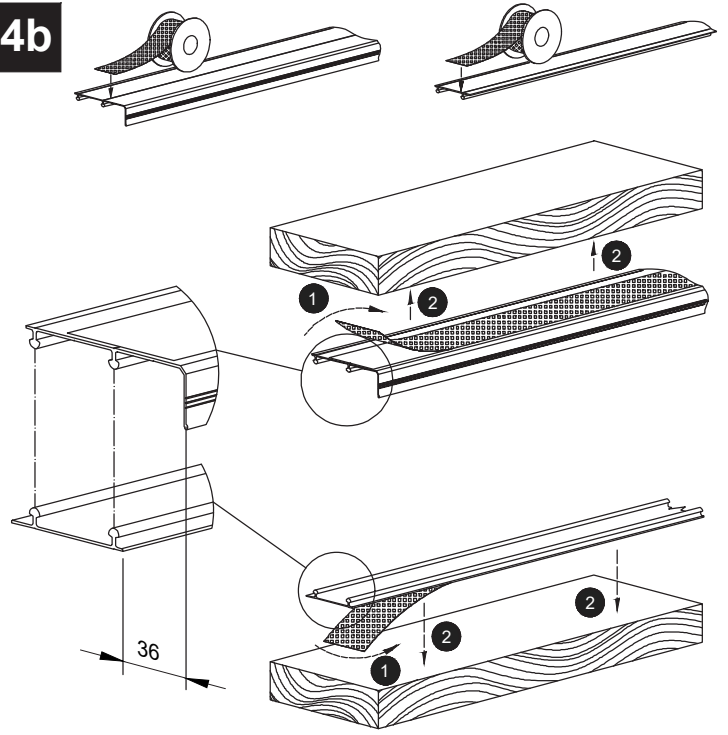
SLID'UP	210	220	230
t[mm]	16	18	19



4a

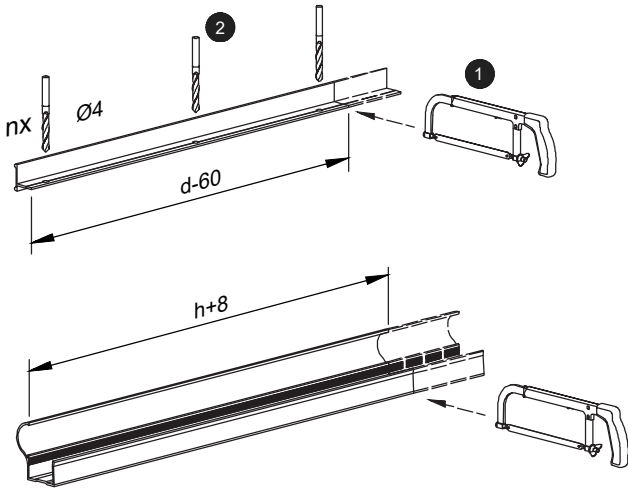


4b

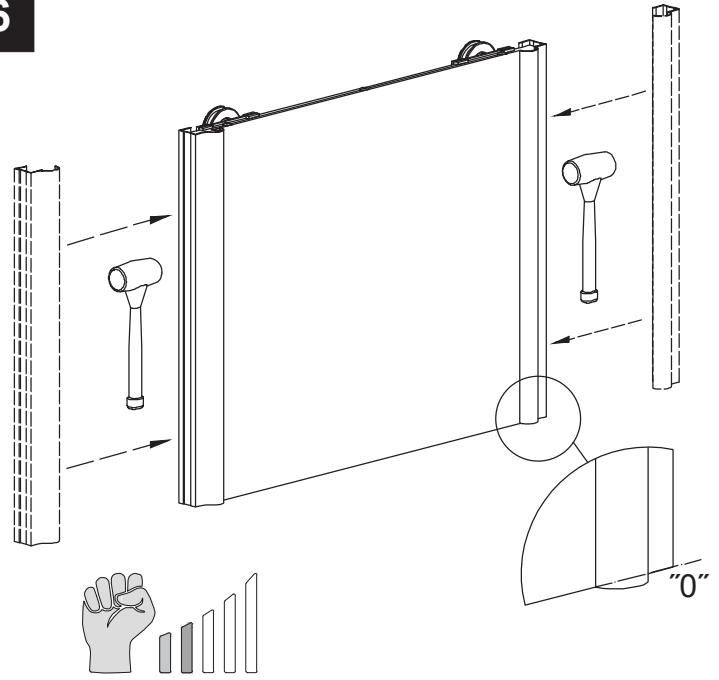


5

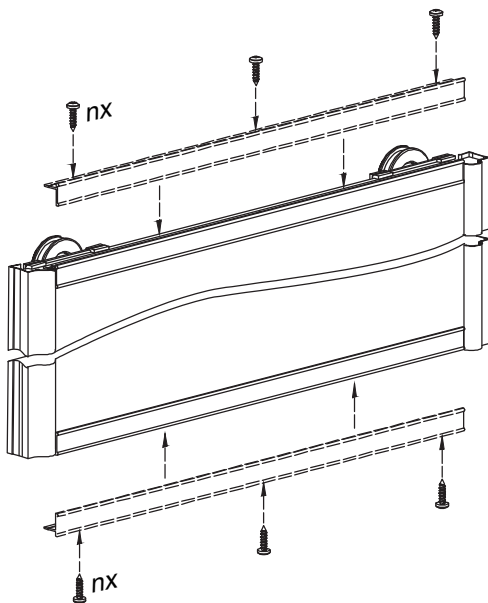
d [mm]	<500	≥500
n	2	3

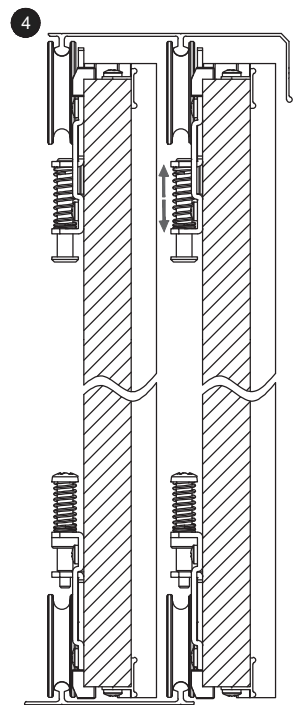
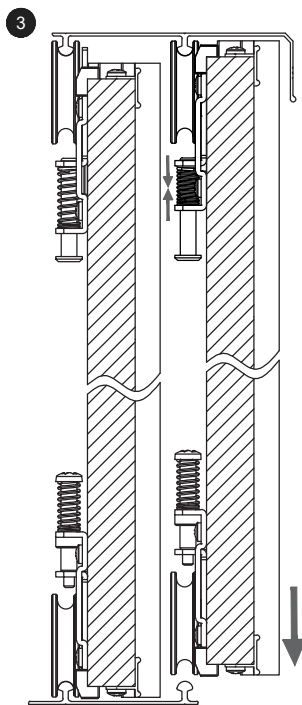
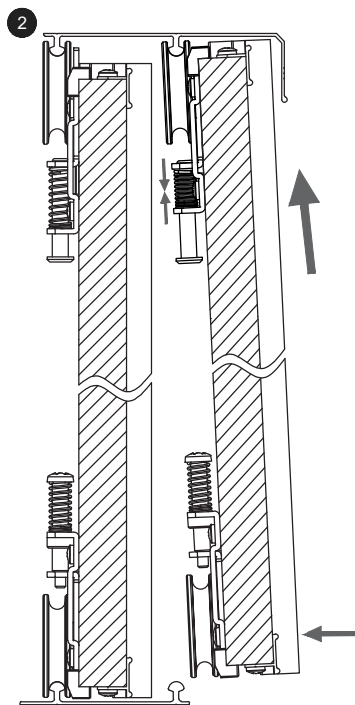
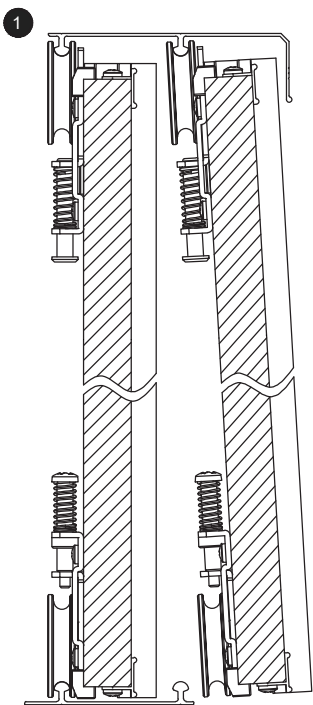
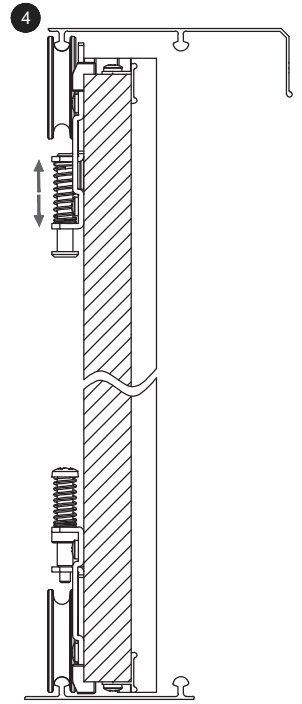
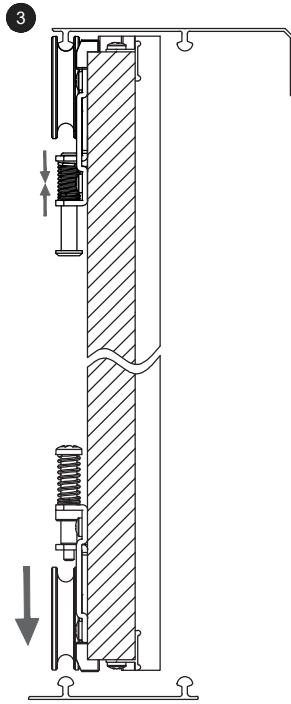
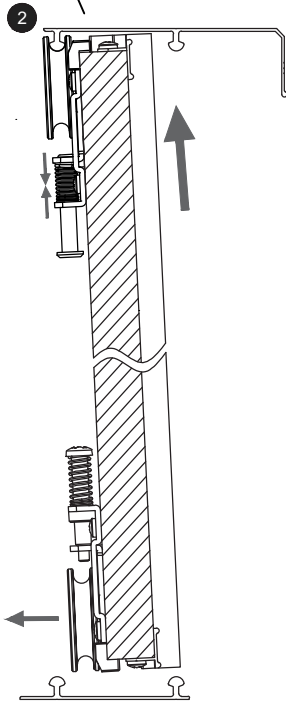
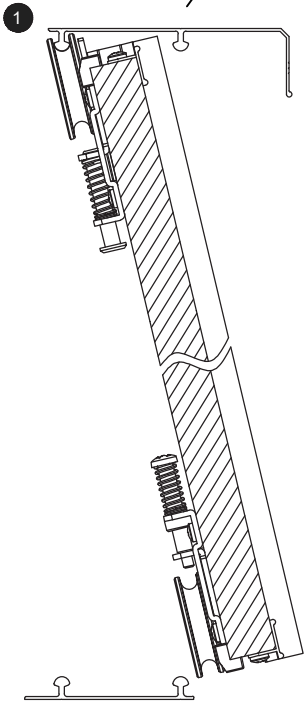
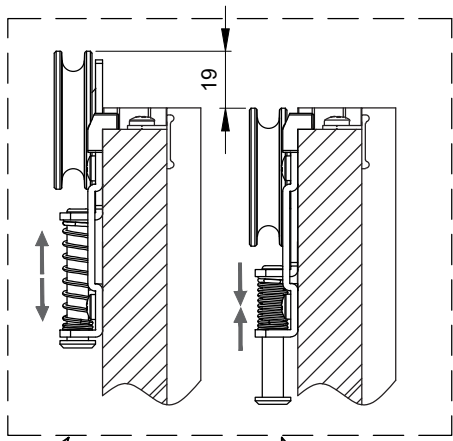


6

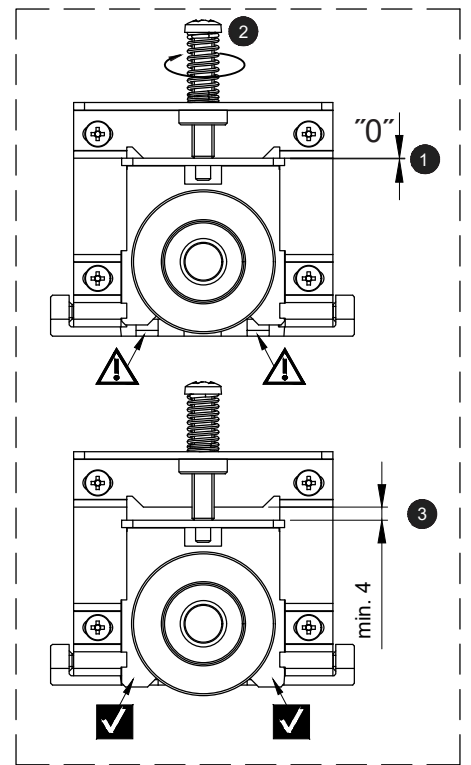
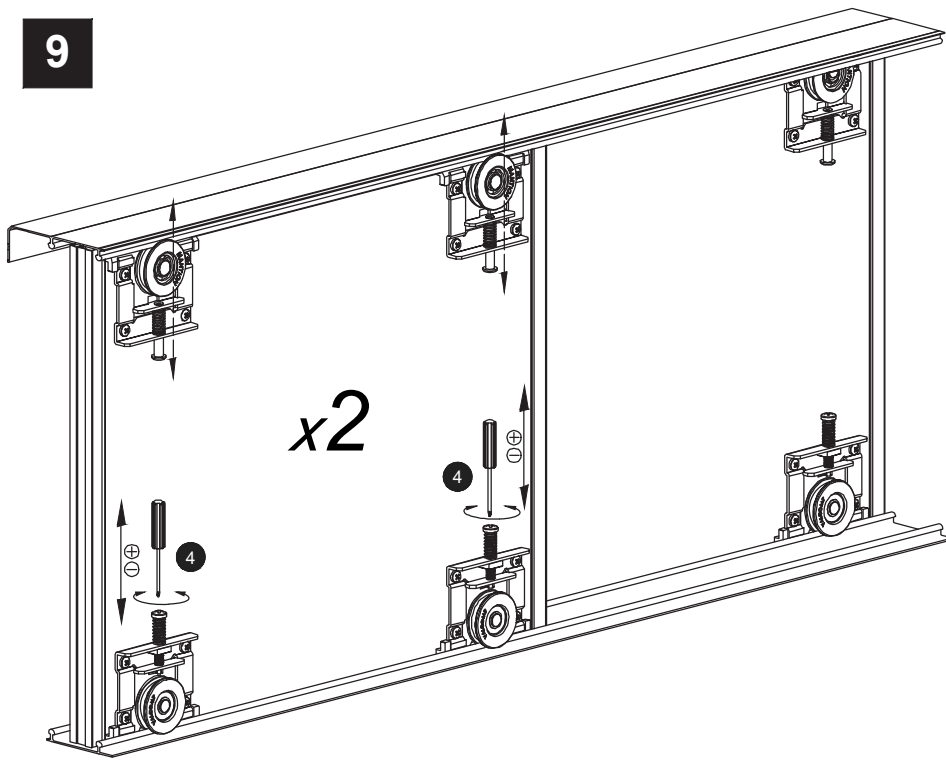


7

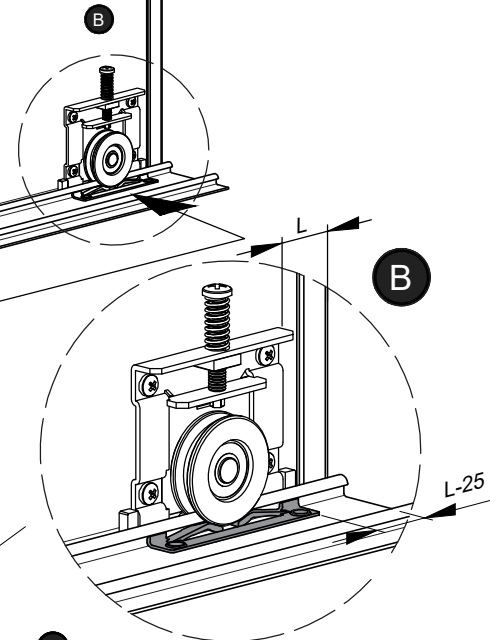
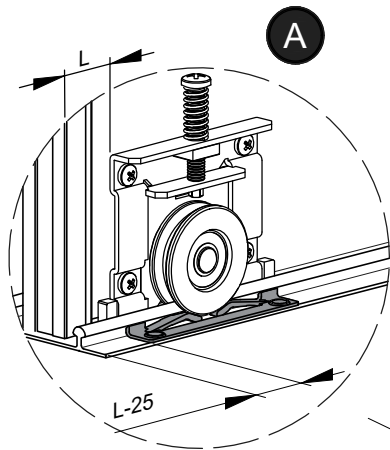
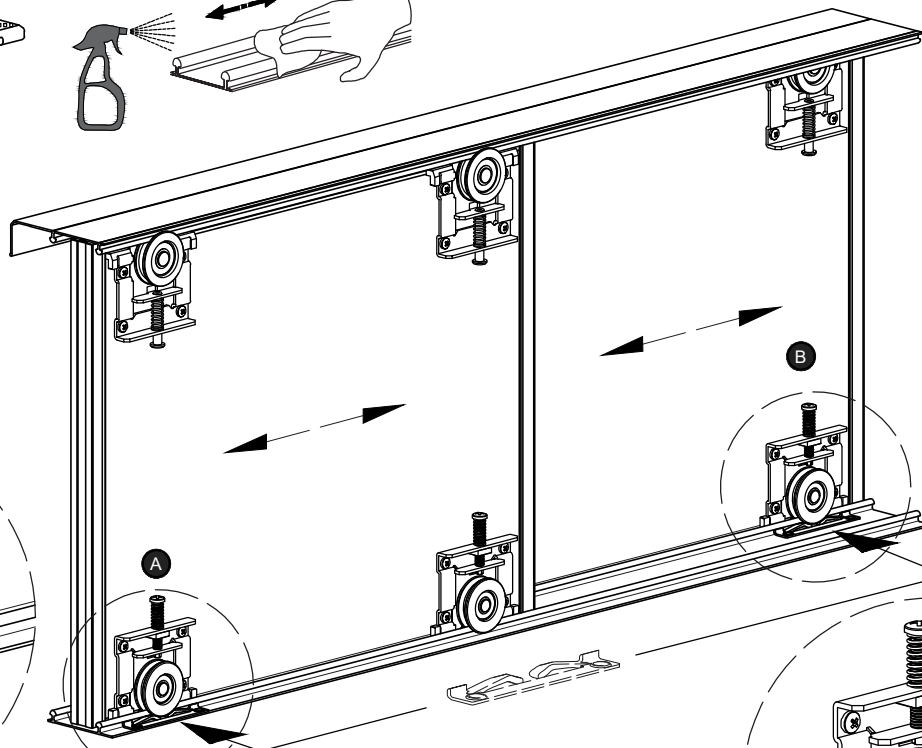
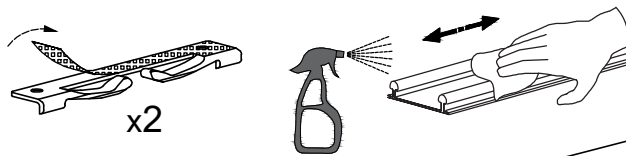




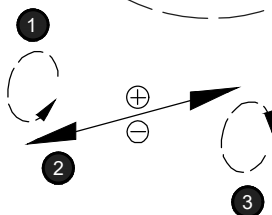
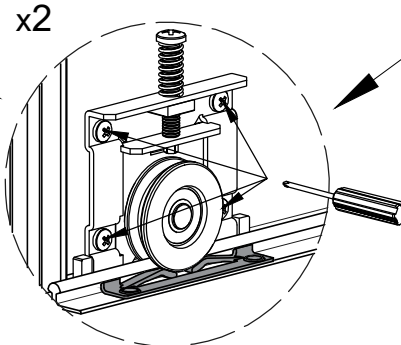
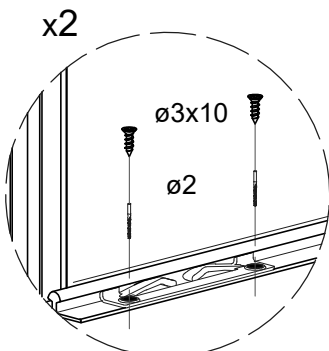
9



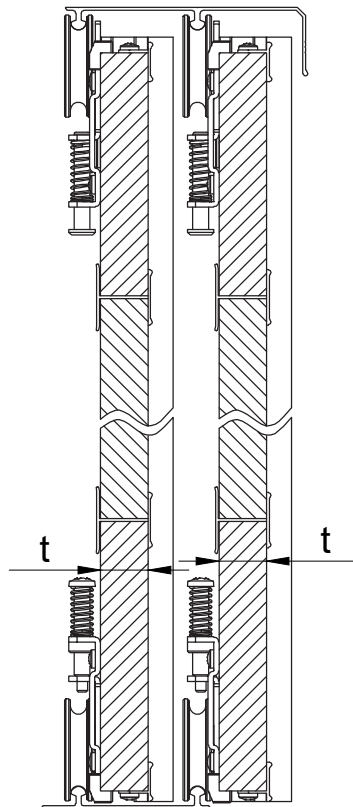
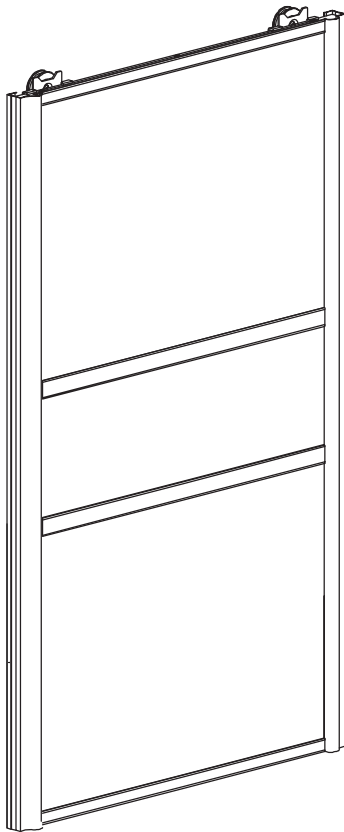
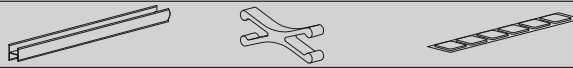
10



11



a
 SU5260 SU5263 SU5314
 SU5261 SU5264 SU5432
 SU5262 SU5265 SU5484



SLID'UP	210	220	230
t[mm]	16	18	19

