



x2



x4



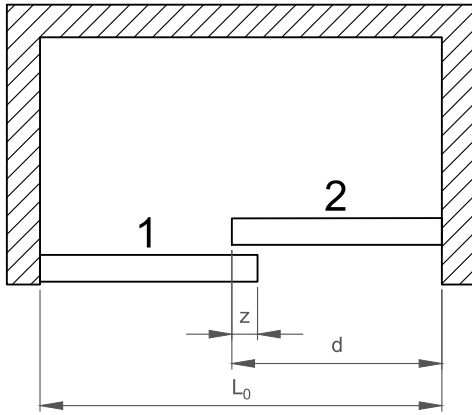
x1



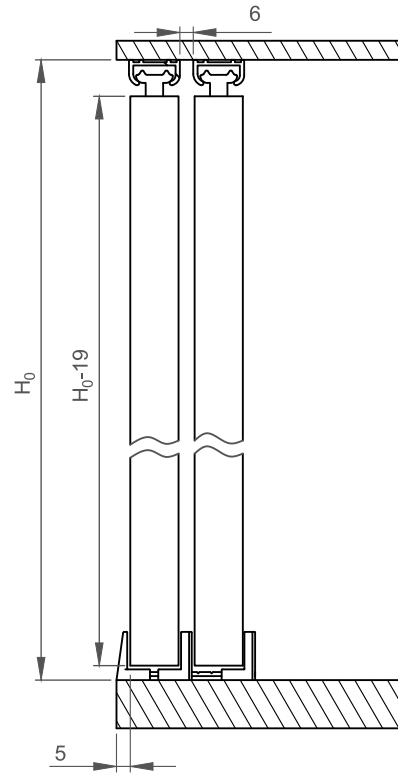
x1



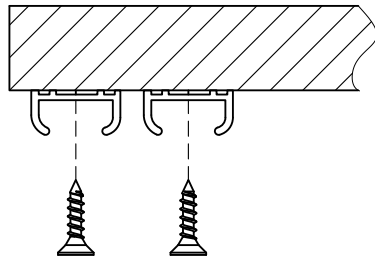
9
kg



$$d = (L_0 + z) / 2 \quad z = 40$$

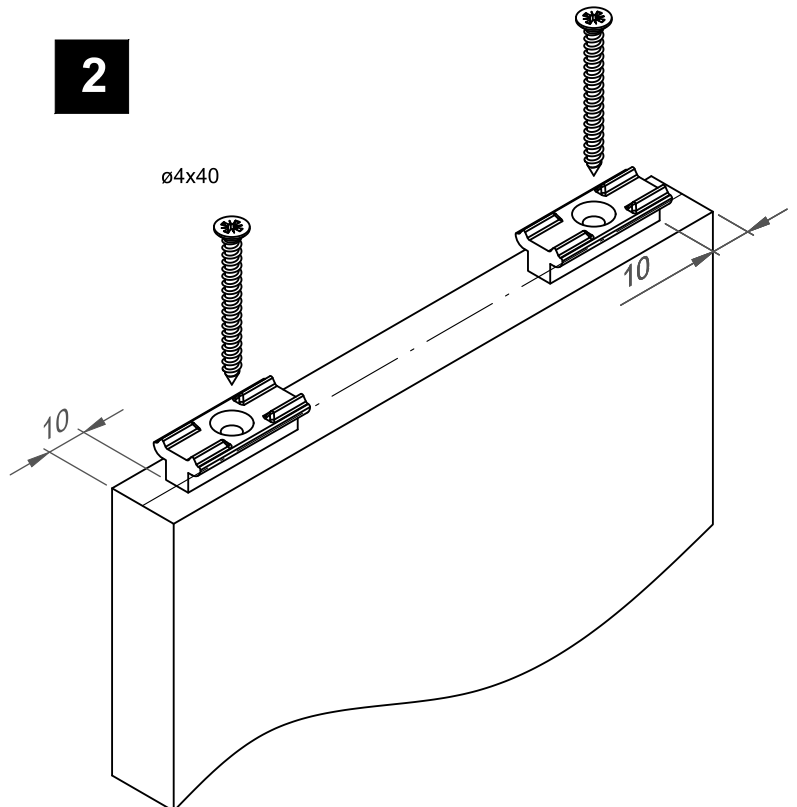


1



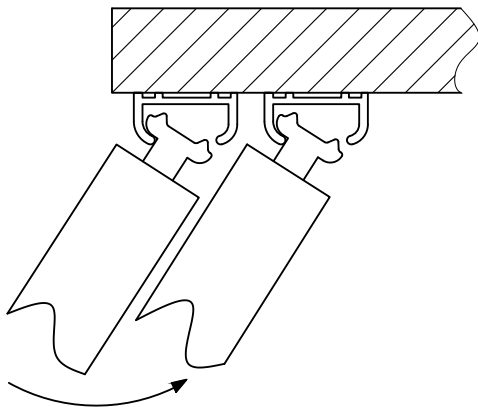
ø3,5x16

2

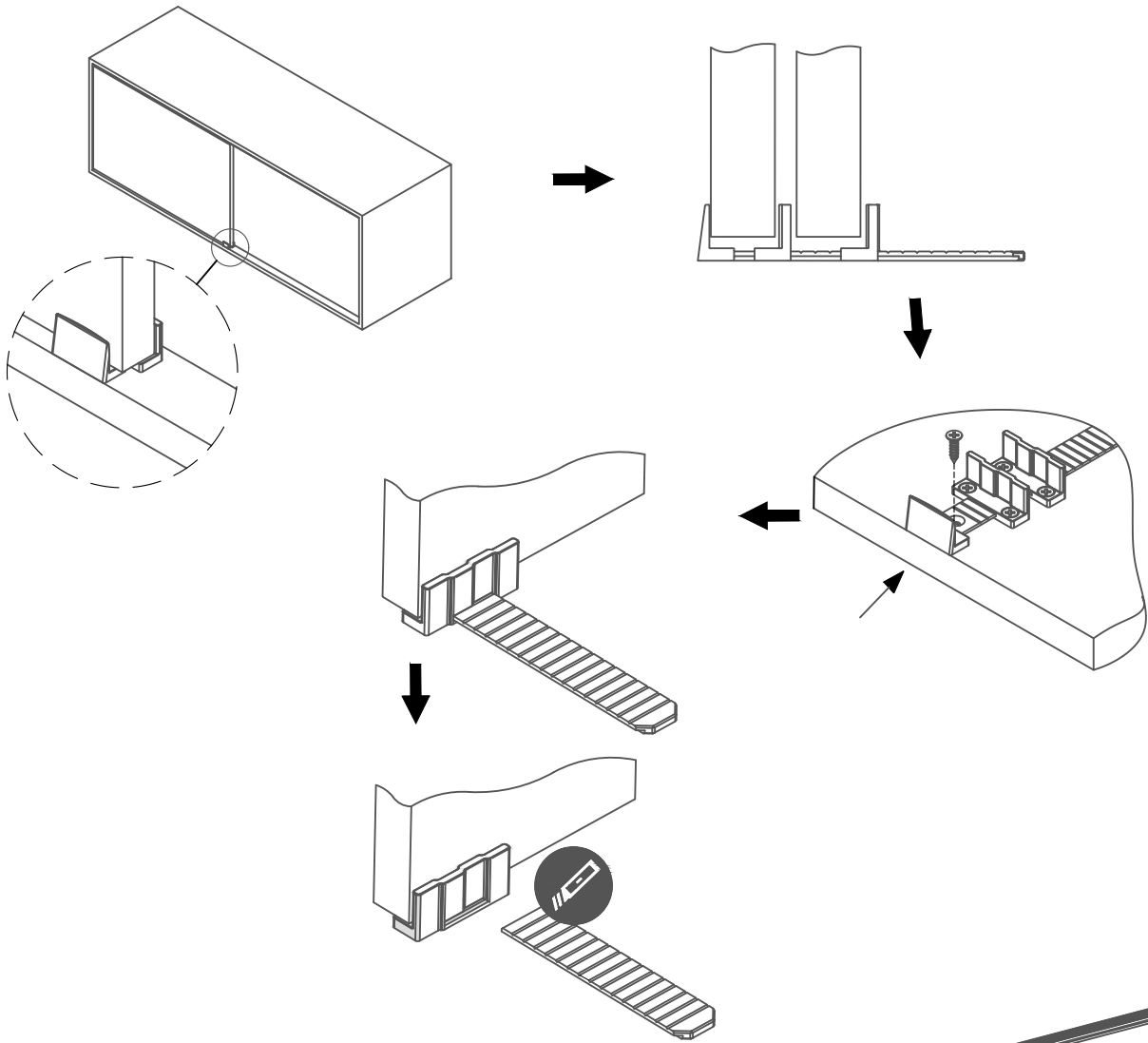


ø4x40

3



4



5

