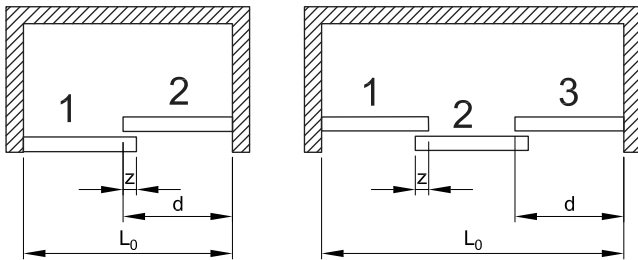
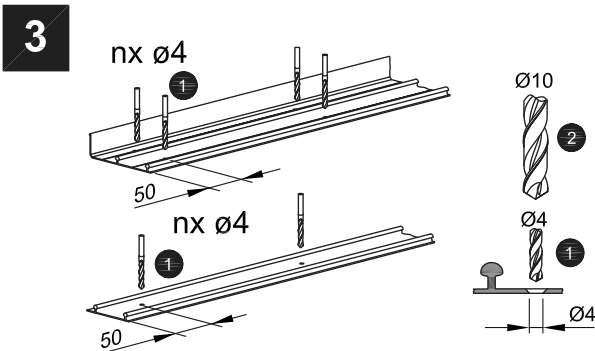
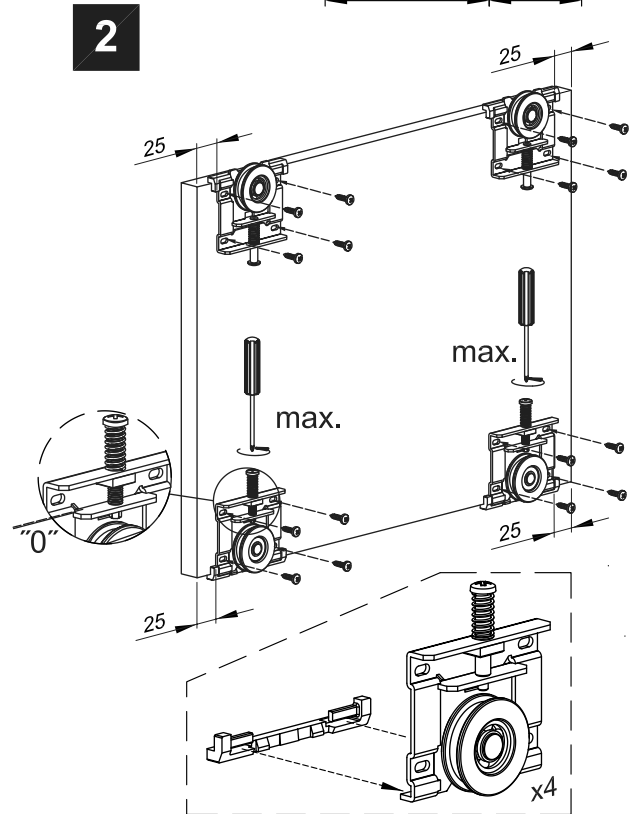
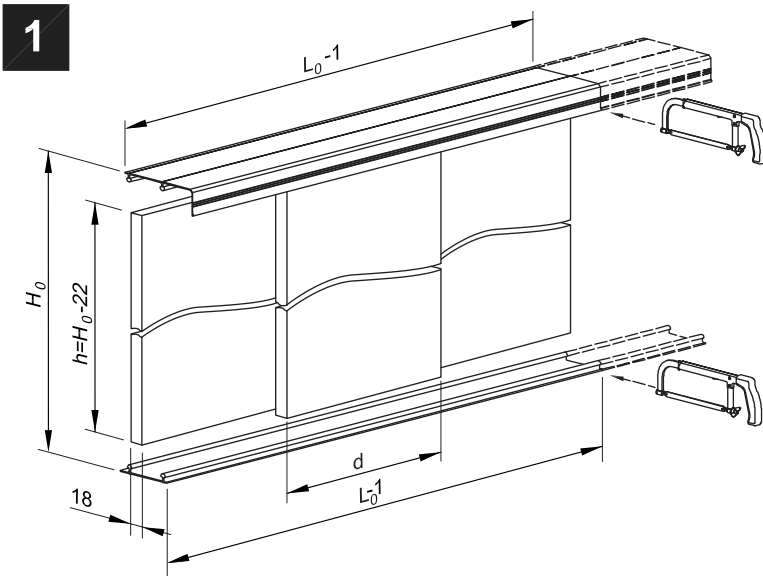
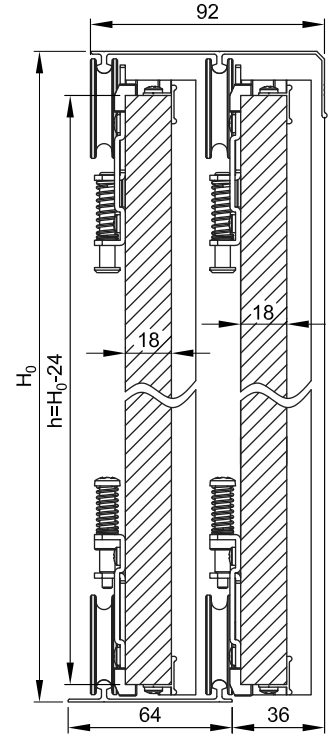
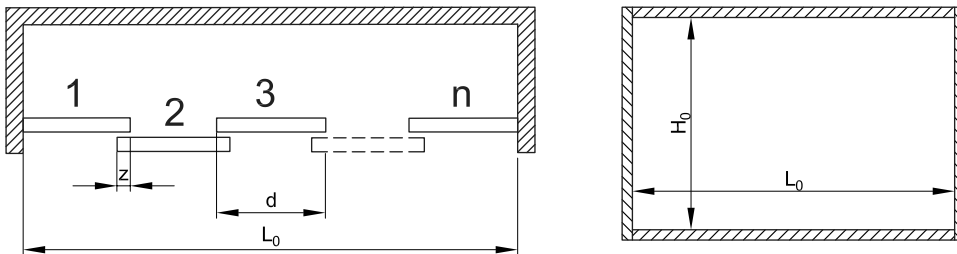


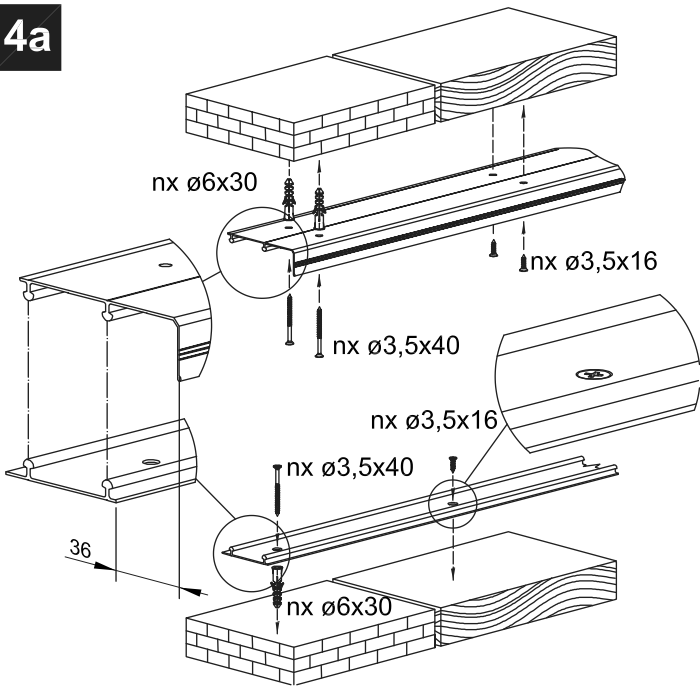
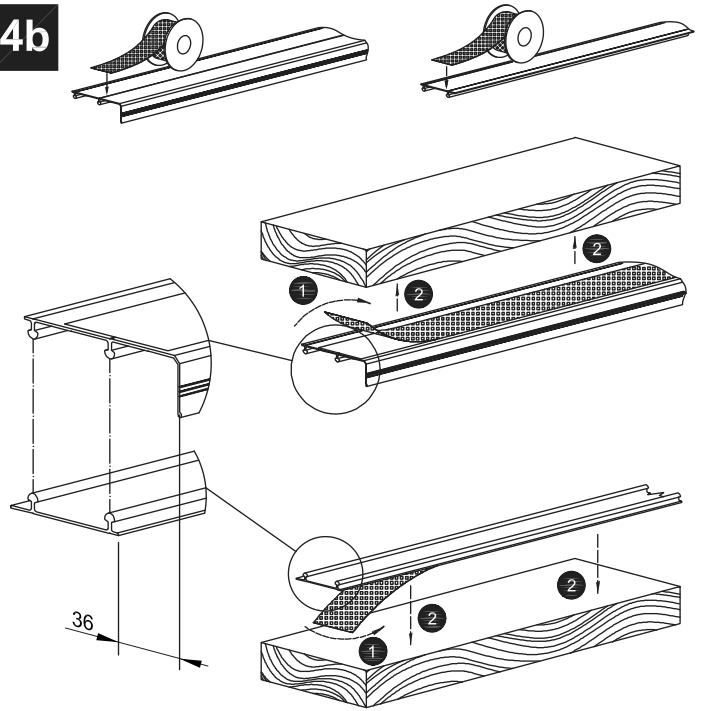
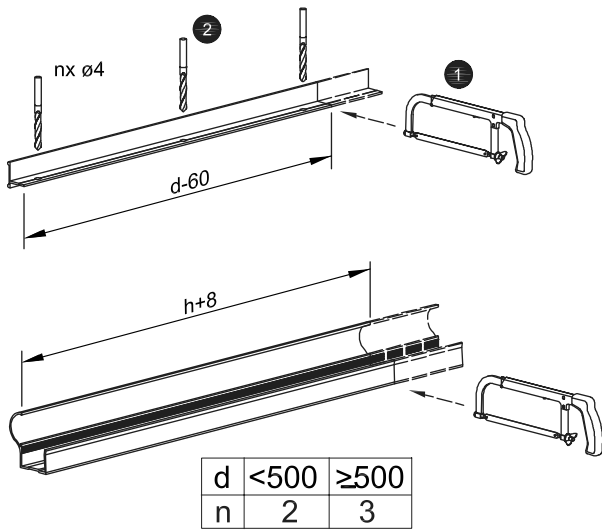
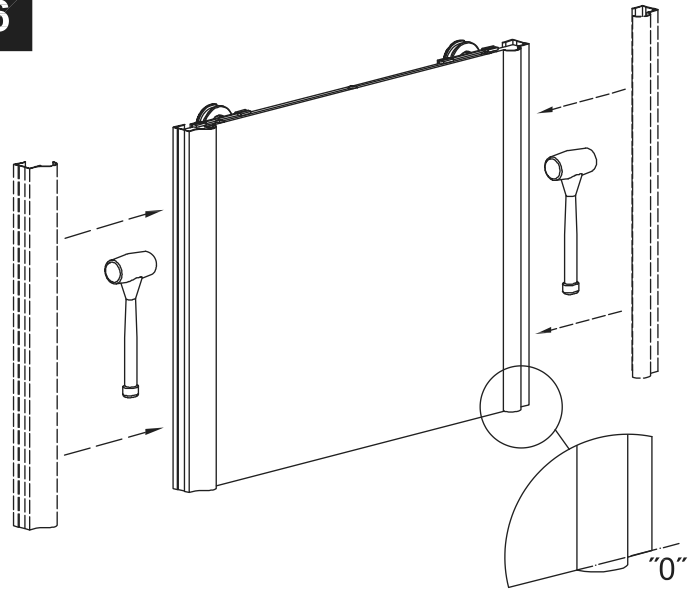
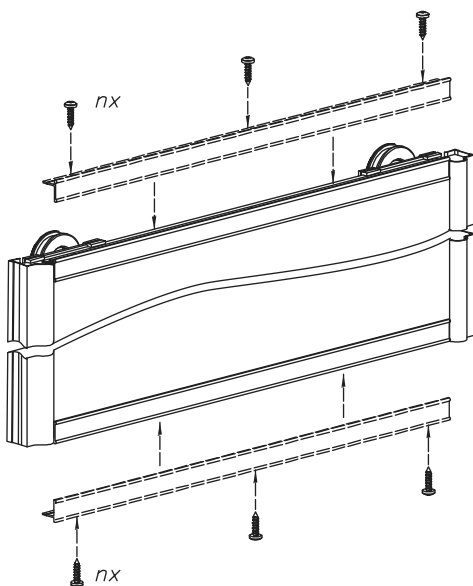
70
KG



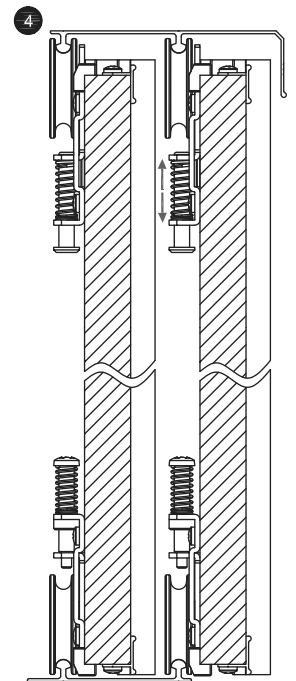
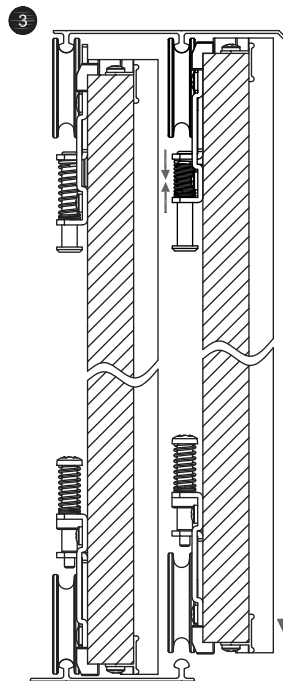
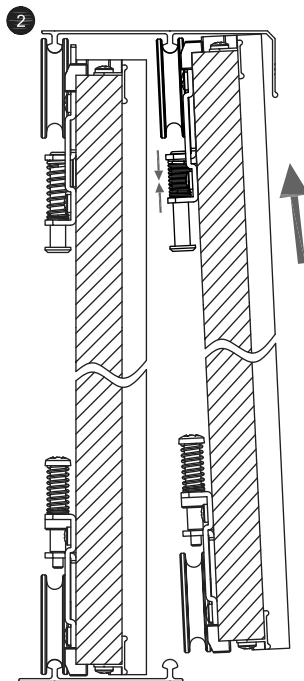
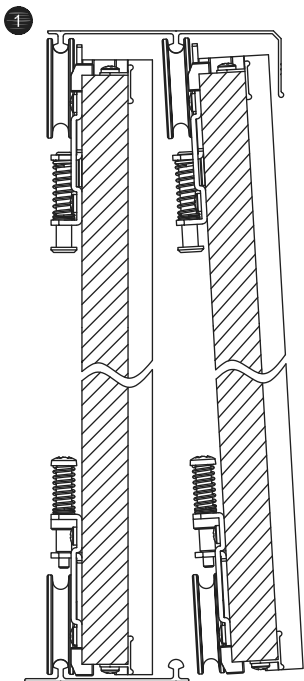
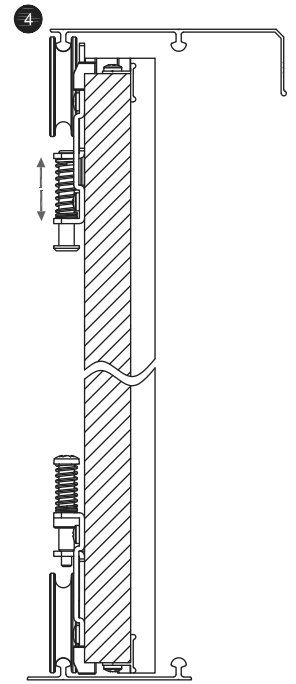
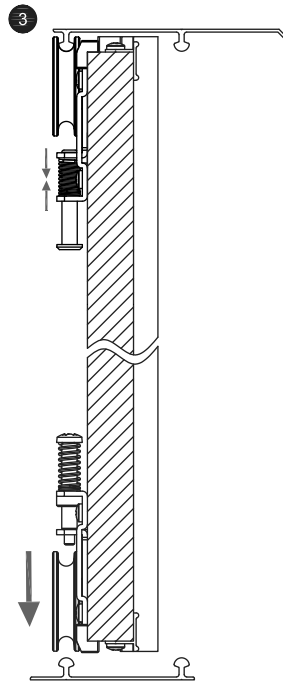
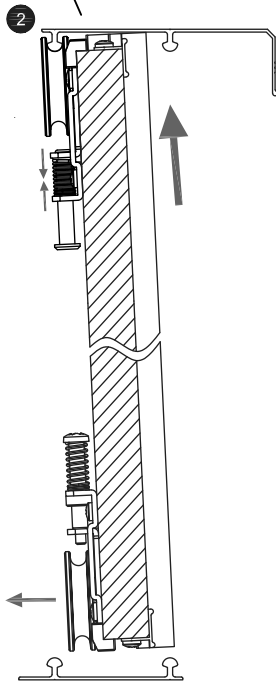
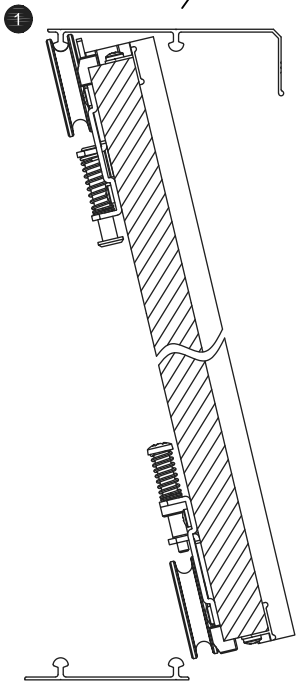
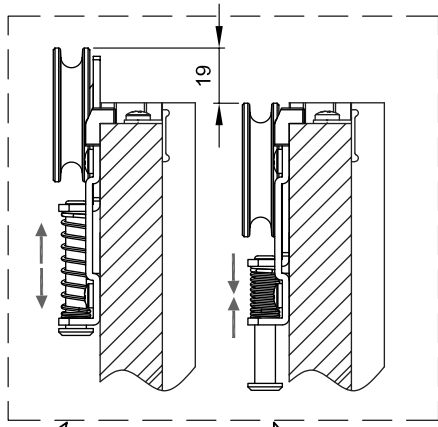
$$d = \frac{L_0 + (n-1) \cdot z}{n} \quad z=40$$



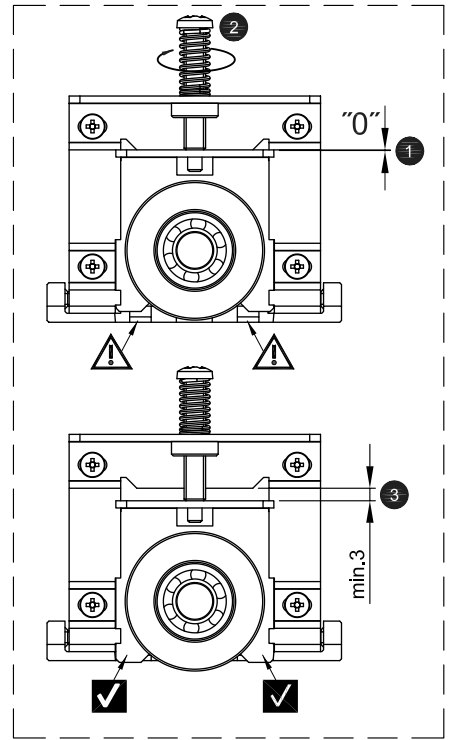
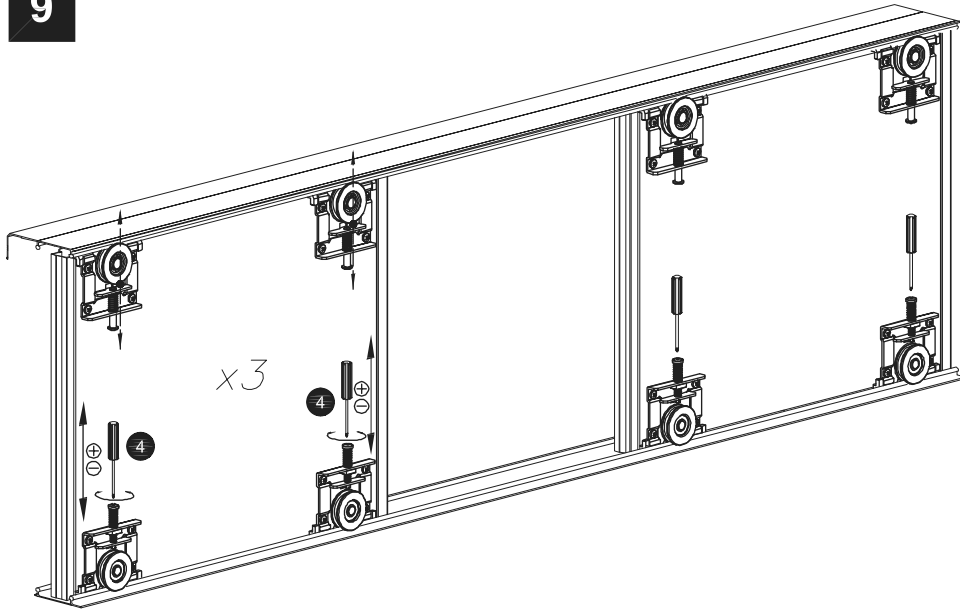
L_0	1200	1500	1800	2000	2400	2700
n	3	3	4	4	4	5

4a**4b****5****6****7**

8



9



10

