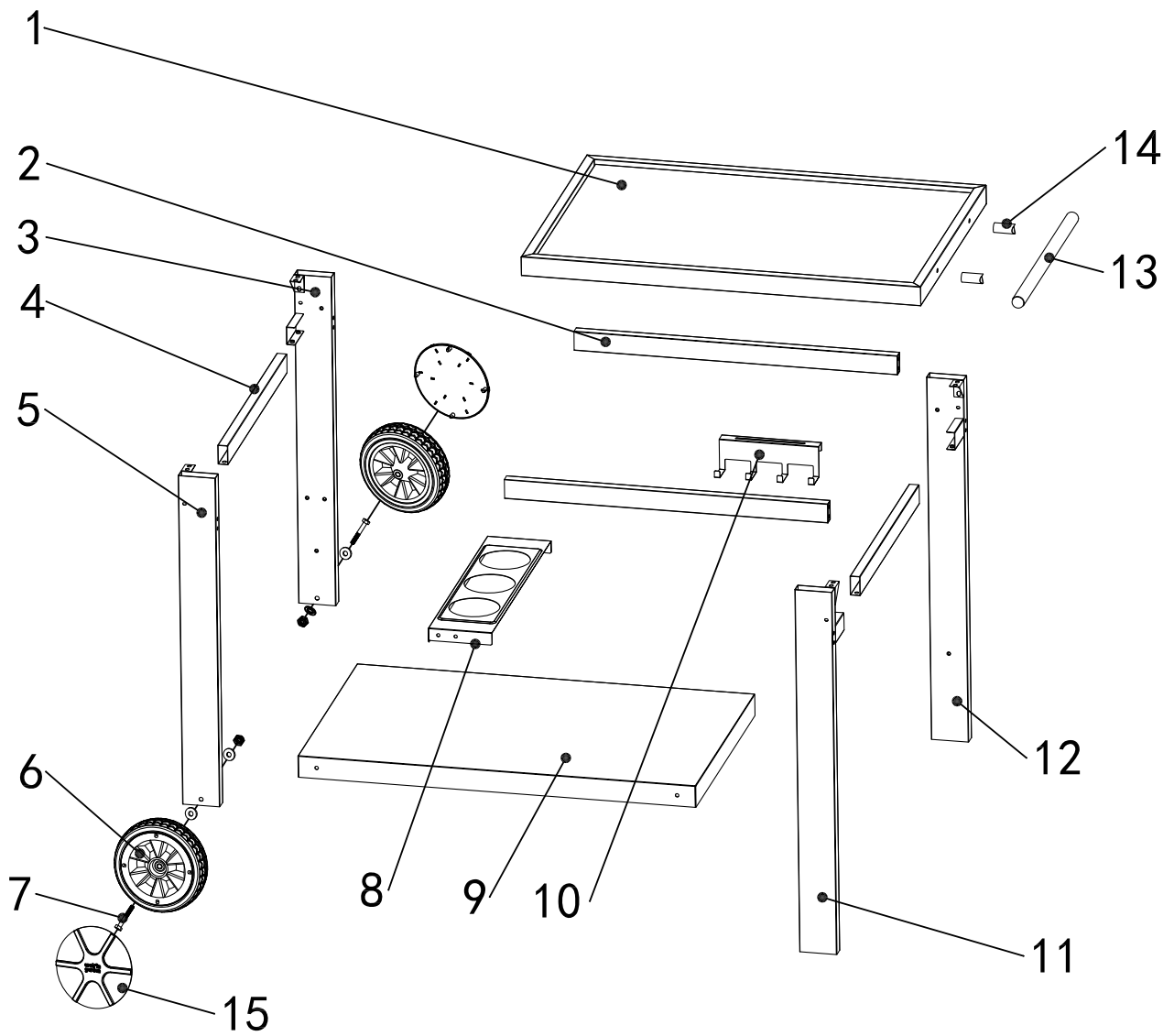
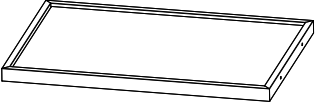



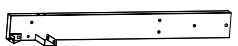


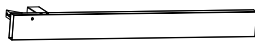







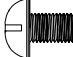
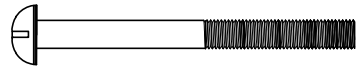
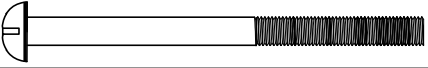
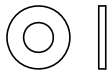

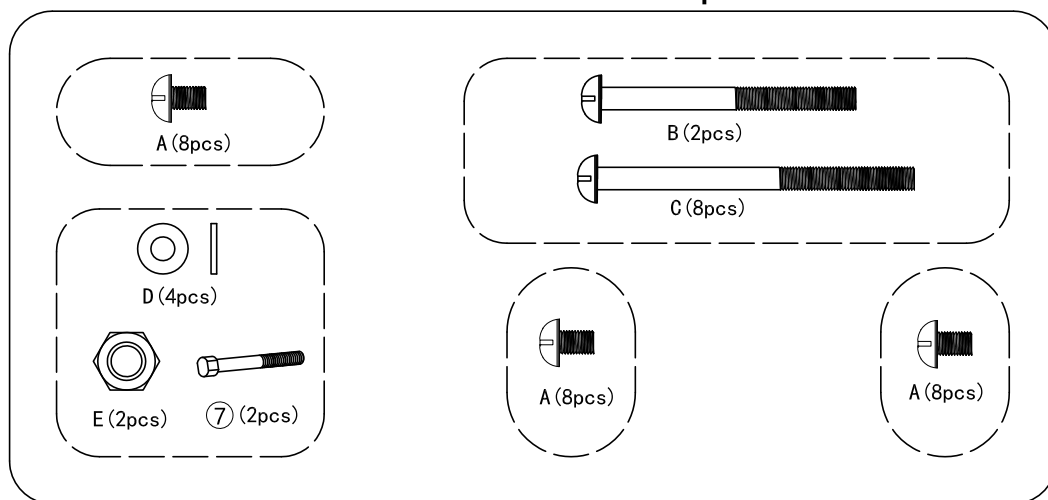
 40min
---	--	---



NO.	DESCRIPTION	QTY	NO.	DESCRIPTION	QTY
①		1	⑧		1
②		2	⑨		1
③		1	⑩		1
④		2	⑪		1
⑤		1	⑫		1
⑥		2	⑬		1
⑦		2	⑭		2
			⑮		2






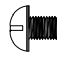
NO.	DESCRIPTION	SPEC	QTY
A		M6 × 10	24
B		M6 × 70	2
C		M6 × 85	8
D		M8	4
E		M8	2

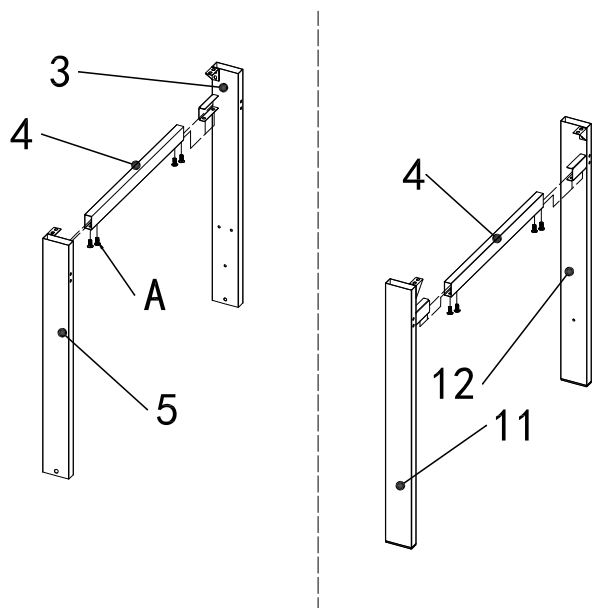
View of blister pack







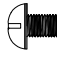
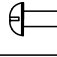
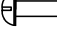
Step

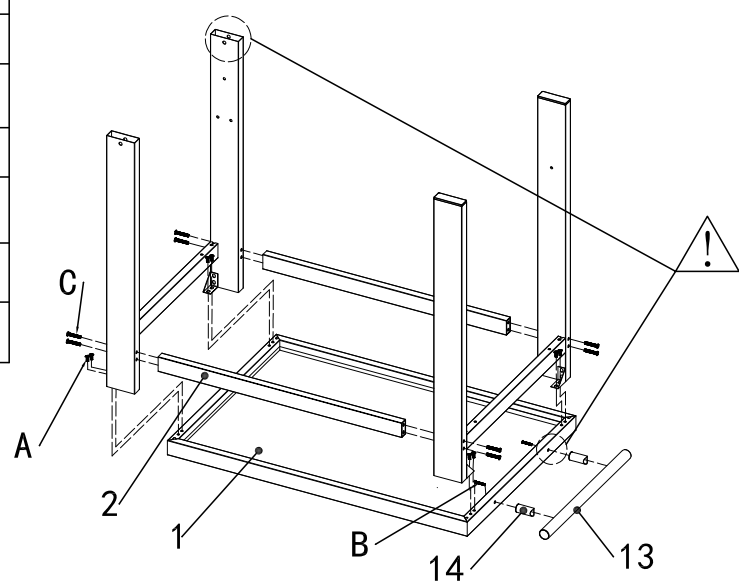
1

NO.	DESCRIPTION	QTY
③		1
④		2
⑤		1
⑪		1
⑫		1
A	 M6×10	8





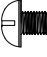




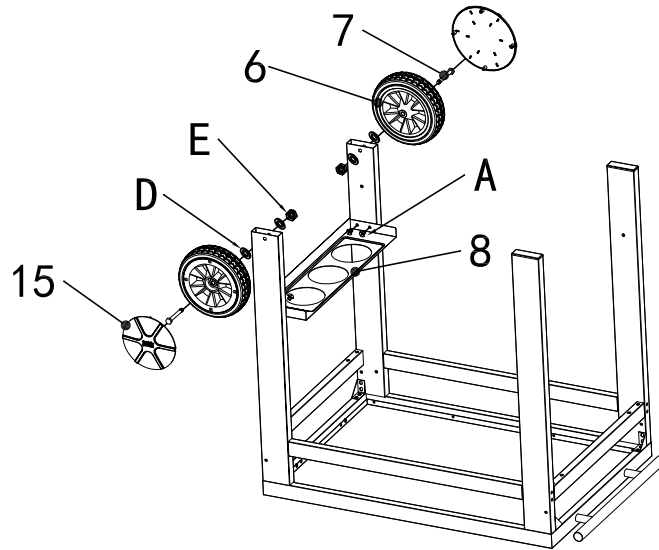
2

NO.	DESCRIPTION	QTY
①		1
②		2
⑬		1
⑭		2
A	 M6×10	8
B	 M6×70	2
C	 M6×85	8


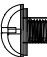


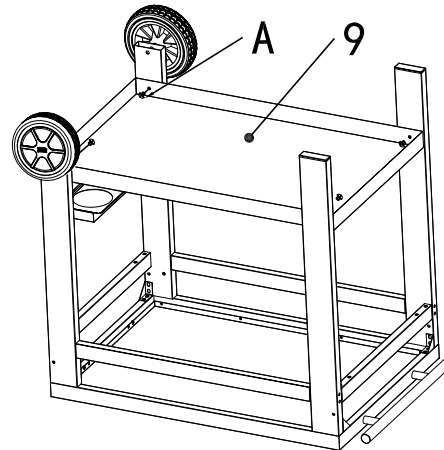
3

NO.	DESCRIPTION	QTY
⑥		2
⑦		2
⑧		1
⑮		2
A	 M6×10	4
D	 M8	4
E	 M8	2

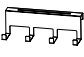


4

NO.	DESCRIPTION	QTY
⑨		1
A	 M6×10	4



5

NO.	DESCRIPTION	QTY
⑩		1

