

60W Constant Current -LS Series

LS-60-XXXX LI2



■ Approve

SELV CE

■ Features

- Class II, SELV, independent
- Input Voltage 220-240VAC
- Protections: SCP/OLP/OVP
- Power Factor: 0.95
- Efficiency $\geq 89\%$
- 5 years warranty

■ Applications

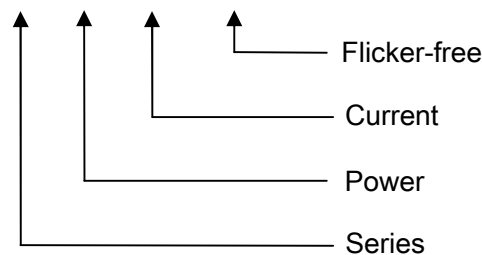
- LED panel
- LED spot light
- LED down light
- COB light

■ Description

LS-60-XXXX LI2 is a 60W constant current LED driver with 600 to 1500mA output current. With it's compact dimensions from 150 x 45 x 30mm it is easy to integrate in LED Panel, spot, down lights and COB lights. To ensure trouble-free operation, protection is provided against output short circuit and over Load.

■ Model code

LS-60-XXXX LI2



60W Constant Current -LS Series

LS-60-XXXX LI2

■ Specification

Input	Rated input voltage	220-240VAC				
	Range of input voltage	198-264VAC				
	Frequency(Hz)	50/60 Hz				
	Power Factor	0.95 @Full Load,240VAC				
	Input Current max	0.47A MAX. @Full Load,198VAC (Please see Model list below for details.)				
	Start-up time	< 0.5S				
	Unload Power Consumption	≤0.5W				
	Inrush Current	30A Max.				
	THD	10% Typ. @Full Load,240VAC				
	Leakage Current	< 0.5mA(240VAC)				
Output	Constant Current Max. *Note.3	600mA	650mA	700mA	...	1500mA
	Unload voltage Max.	118VDC	110VDC	106VDC	...	55VDC
	Voltage Range(VDC)	70-100VDC	63-92VDC	60-86VDC	...	28-41VDC
	Rated power	60W Max.	59.8W Max.	60.2W Max.	...	61.5W Max.
	Current Accuracy	±5%				
	Voltage Regulation	±3% @Full Load				
	Load Regulation	±5%				
	Hold-up Time	1s max.@Full Load				
	Ripple& Noise *Note.2	≤±3% @Full Load,240VAC				
	Efficiency(Typ.)	≥89%				
Protecti- on	Over Load Protection	103-120% Protection type: Auto Resume				
	Over Voltage Protection	> 118VDC	> 110VDC	> 106VDC	...	> 55VDC
	Short circuit Protection	Protection type: Auto Resume				
Environ- ment	Operating Temperature	-20°C...+45°C				
	tc	75°C				
	Storage Temperature	-25°C...+60°C				
	Life time	> 30,000h@45°C				
Others	Humidity	20%-90%RH				
Safety & EMC	Dimension	150X45X30(LXWXH)mm				
	Safety standards	EN 61347-1; EN61347-2-13; EN62384				
	Withstand voltage	Input-Output : 3750V/5mA/1min				
	Isolation resistance	Input-Output : ≥4MΩ@500VDC				
	EMI	EN55015; EN61000-3-2 Class C; EN61000-3-3				
Note	EMS	EN 61547; EN 61000-4-2; EN 61000-4-5 —1000V;				
Note	1.All parameters NOT specially mentioned are measured at 240VAC input , full load and 25°C of ambient temperature.					
	2.Ripple & Noise are measured at 20MHz of bandwidth by using a 300mm twisted pair-wire terminated with a 0.1uF & 47 uF parallel capacitor.					
	3.Output current can be 630mA or from 600mA to 1500mA and increasing in multiples of 50mA. Please see Model list below and contact EAGLERISE for details.					

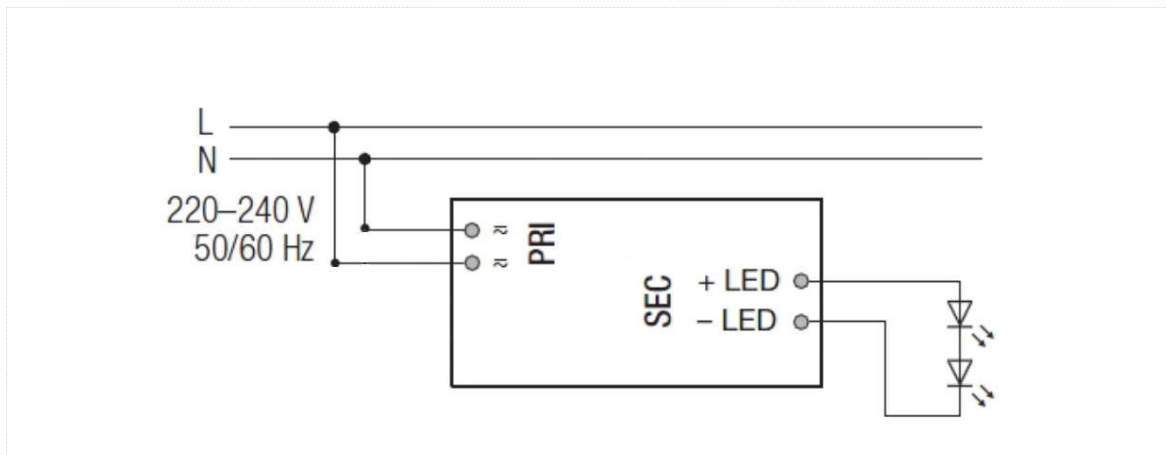
60W Constant Current -LS Series

LS-60-XXXX LI2

■ Model list

Model number	Input			Output			P(W)
	Voltage (VAC)	Current (A)	Frequency (Hz)	Constant current (mA)	Normal working voltage (VDC)	No load working voltage (VDC)	
LS-60-600 LI2	220-240	0.47	50/60	600	70-100	118	60
LS-60-650 LI2	220-240	0.47	50/60	650	63-92	110	59.8
LS-60-700 LI2	220-240	0.47	50/60	700	60-86	106	60.2
LS-60-750 LI2	220-240	0.47	50/60	750	56-80	100	60
LS-60-800 LI2	220-240	0.47	50/60	800	52-75	95	60
LS-60-850 LI2	220-240	0.47	50/60	850	48-70	90	59.5
LS-60-900 LI2	220-240	0.47	50/60	900	45-67	85	60.3
LS-60-950 LI2	220-240	0.47	50/60	950	42-63	80	59.9
LS-60-1000 LI2	220-240	0.47	50/60	1000	40-60	75	60
LS-60-1050 LI2	220-240	0.47	50/60	1050	40-58	75	60.9
LS-60-1100 LI2	220-240	0.47	50/60	1100	38-55	70	60.5
LS-60-1150 LI2	220-240	0.47	50/60	1150	35-52	65	59.8
LS-60-1200 LI2	220-240	0.47	50/60	1200	35-50	63	60
LS-60-1250 LI2	220-240	0.47	50/60	1250	32-48	60	60
LS-60-1300 LI2	220-240	0.47	50/60	1300	32-46	60	59.8
LS-60-1350 LI2	220-240	0.47	50/60	1350	30-45	58	60.8
LS-60-1400 LI2	220-240	0.47	50/60	1400	28-42	55	58.8
LS-60-1450 LI2	220-240	0.47	50/60	1450	28-42	55	60.9
LS-60-1500 LI2	220-240	0.47	50/60	1500	28-41	55	61.5

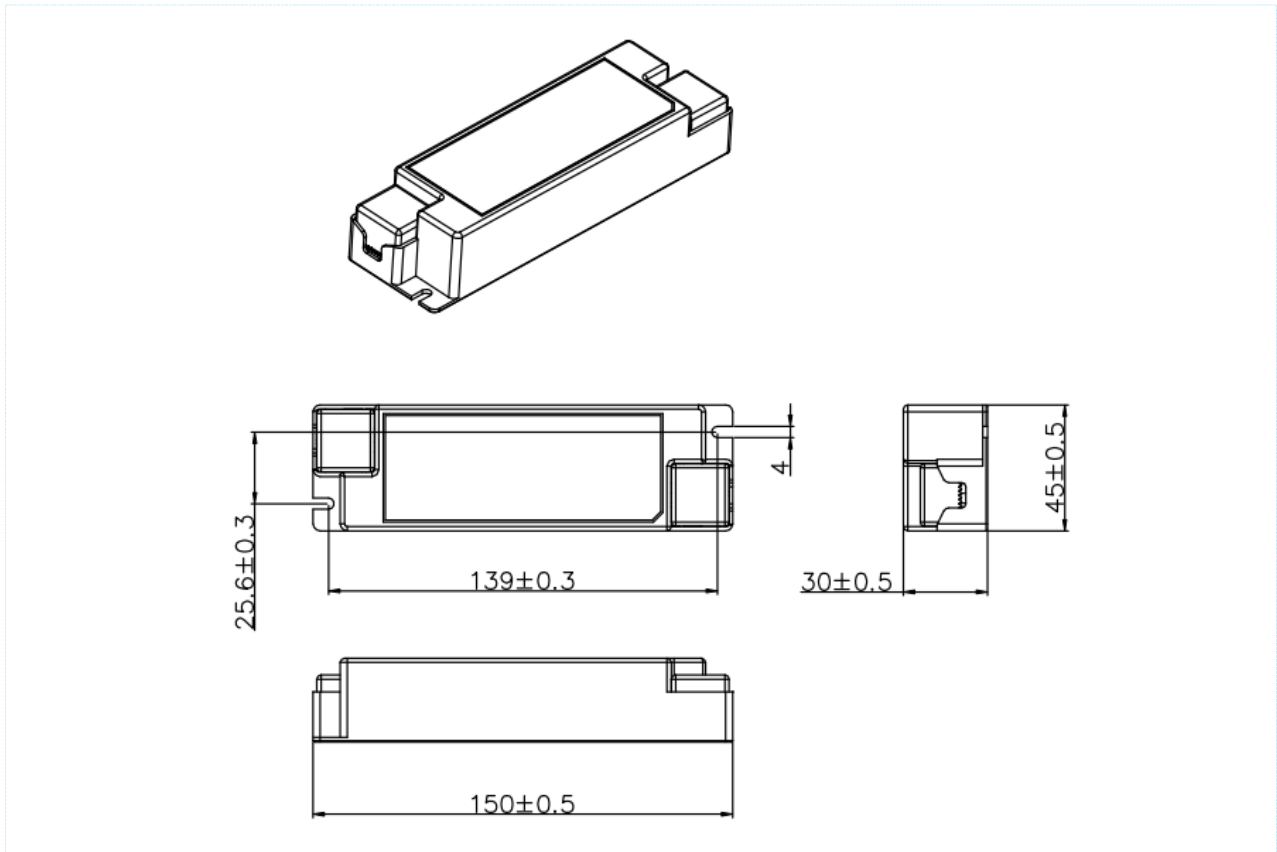
■ Connection diagram



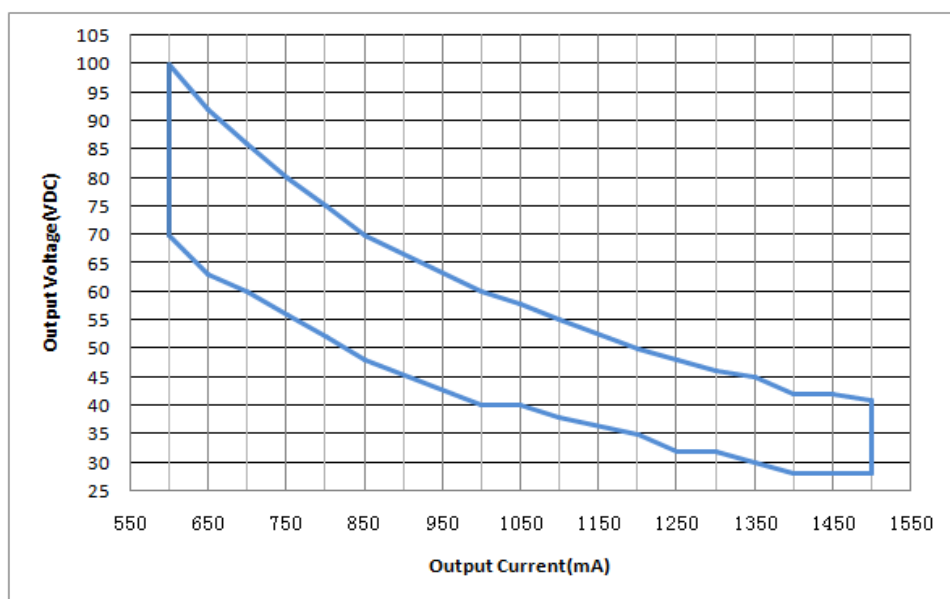
60W Constant Current -LS Series

LS-60-XXXX LI2

■2D diagram



■Operating window



— Operating window 100%