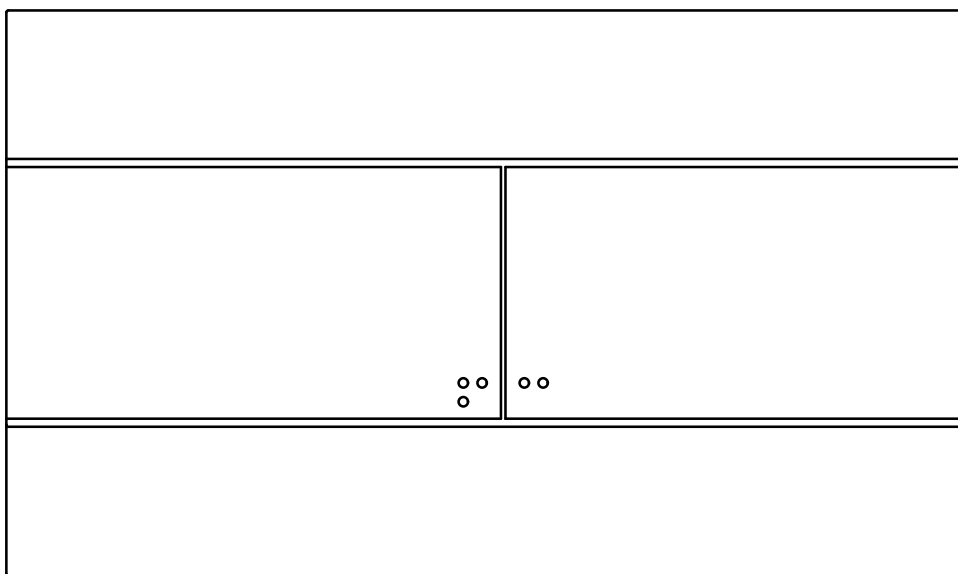
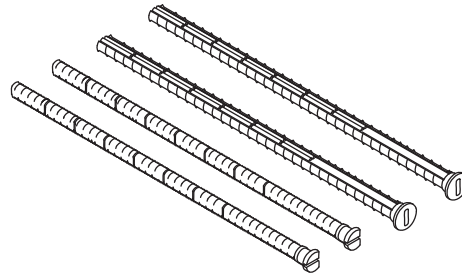
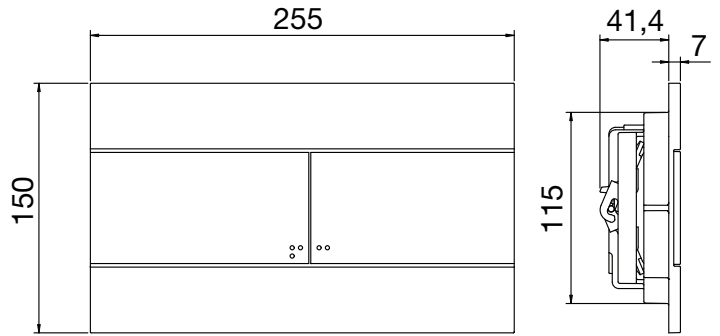
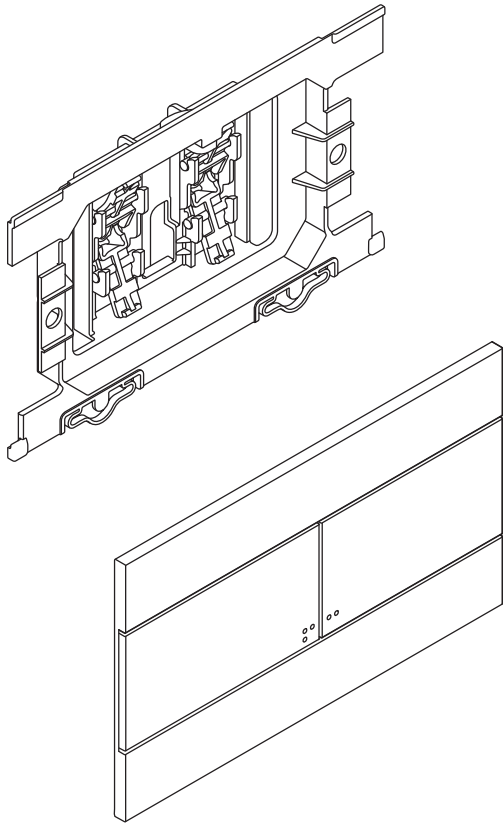


# Milano

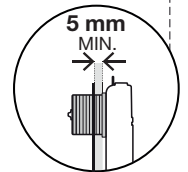
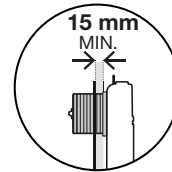
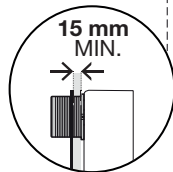
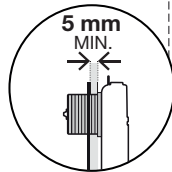
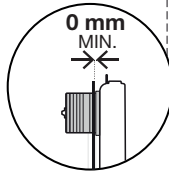
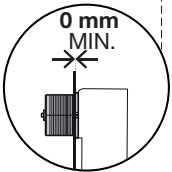
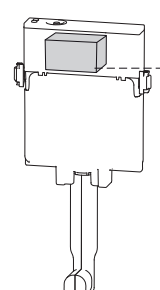
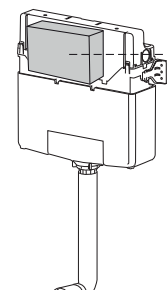
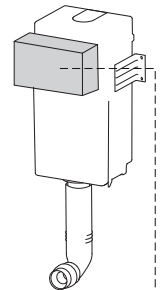
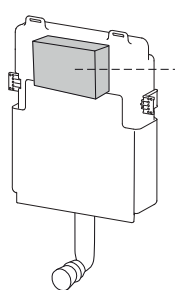
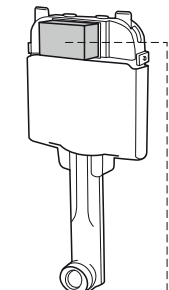
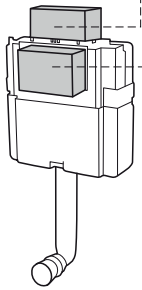
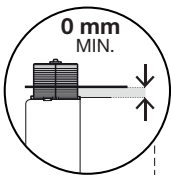
Flush Plate

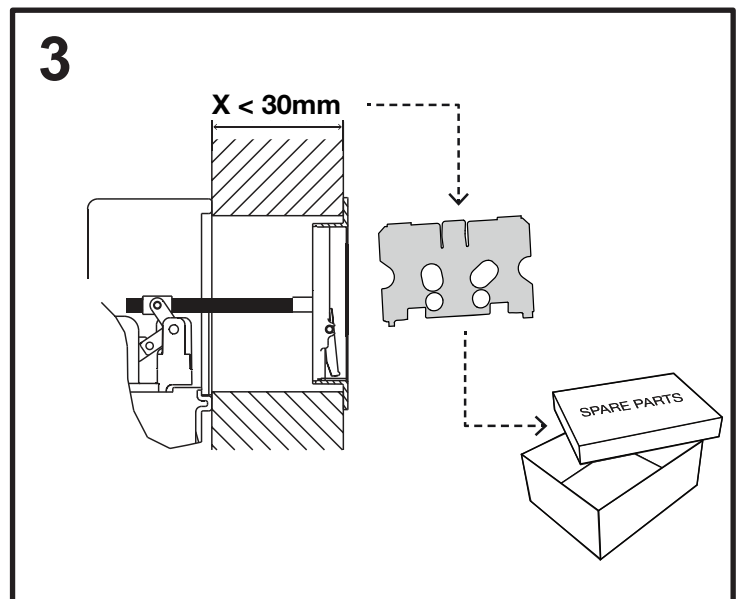
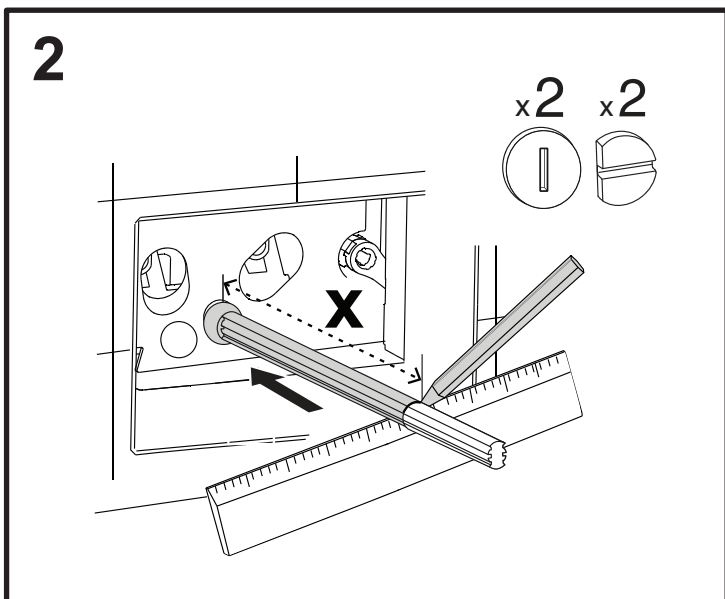
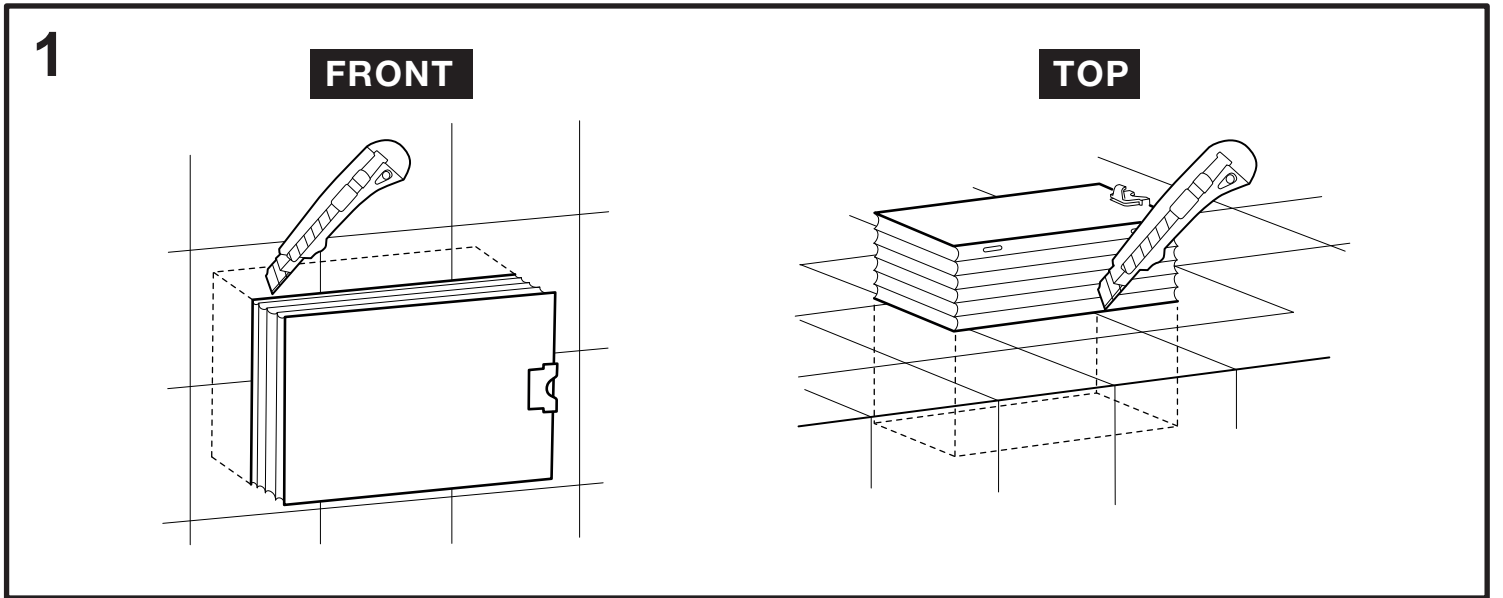
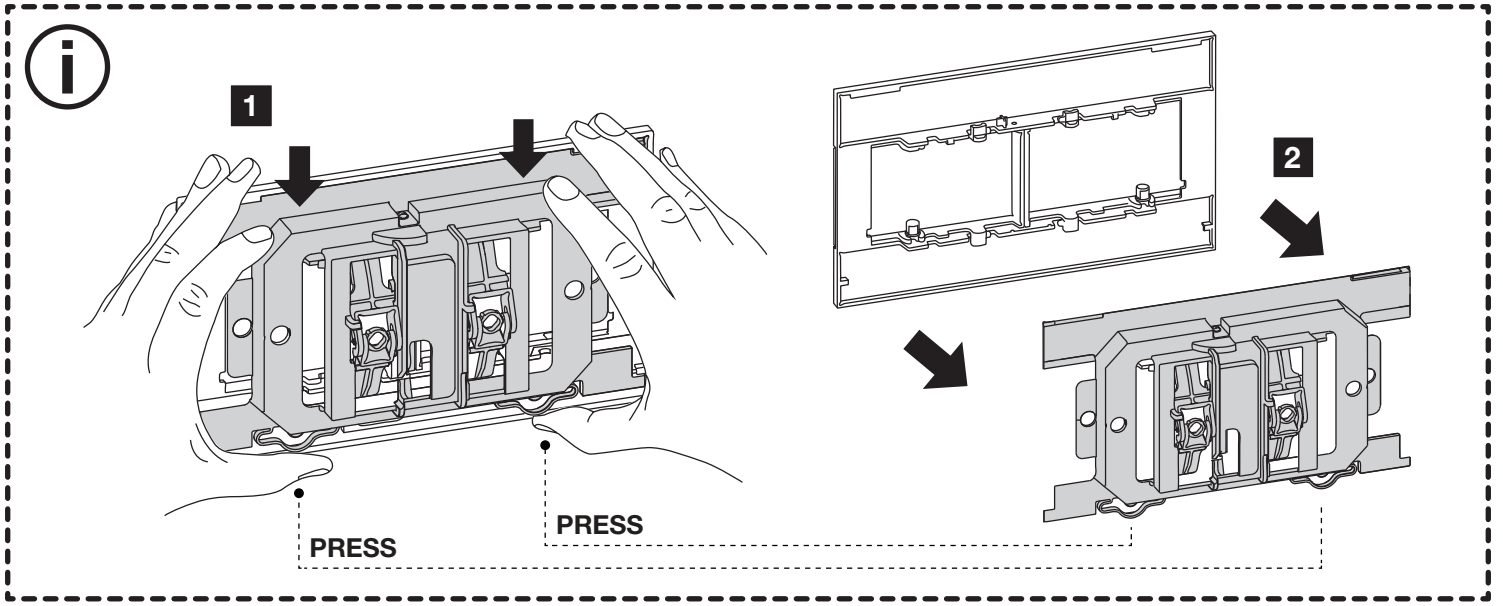


Installation Guide



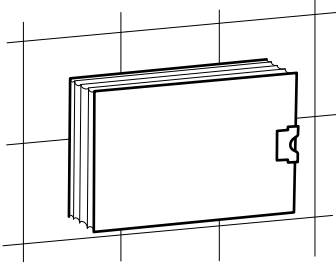
(dimensions in millimeters)





4

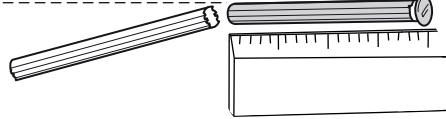
FRONT



x2



← X + 10mm →



x2

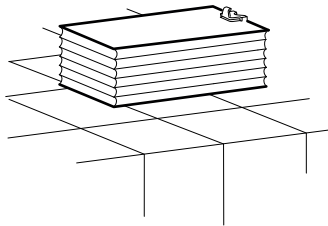


← X + 20mm →

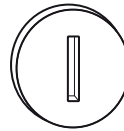


4

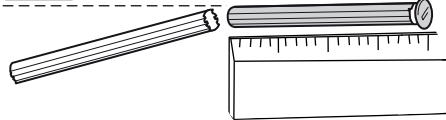
TOP



x2



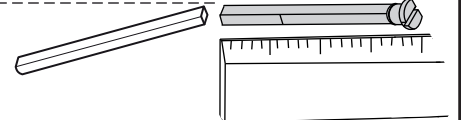
← X + 10mm →



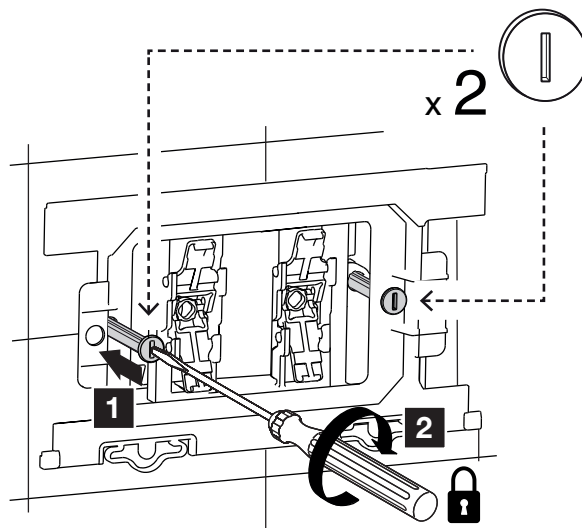
x2

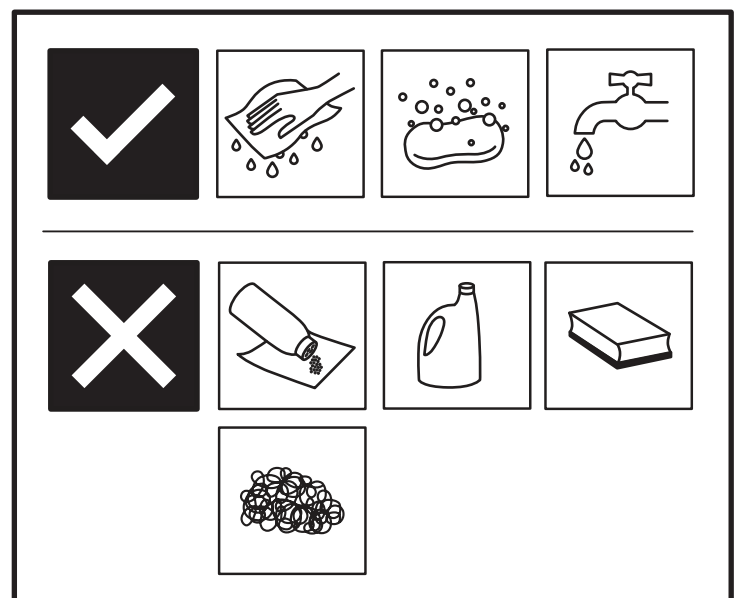
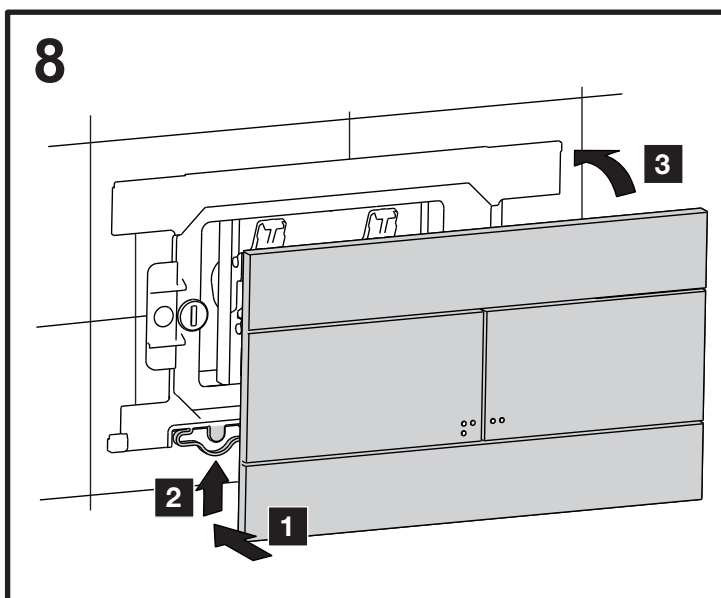
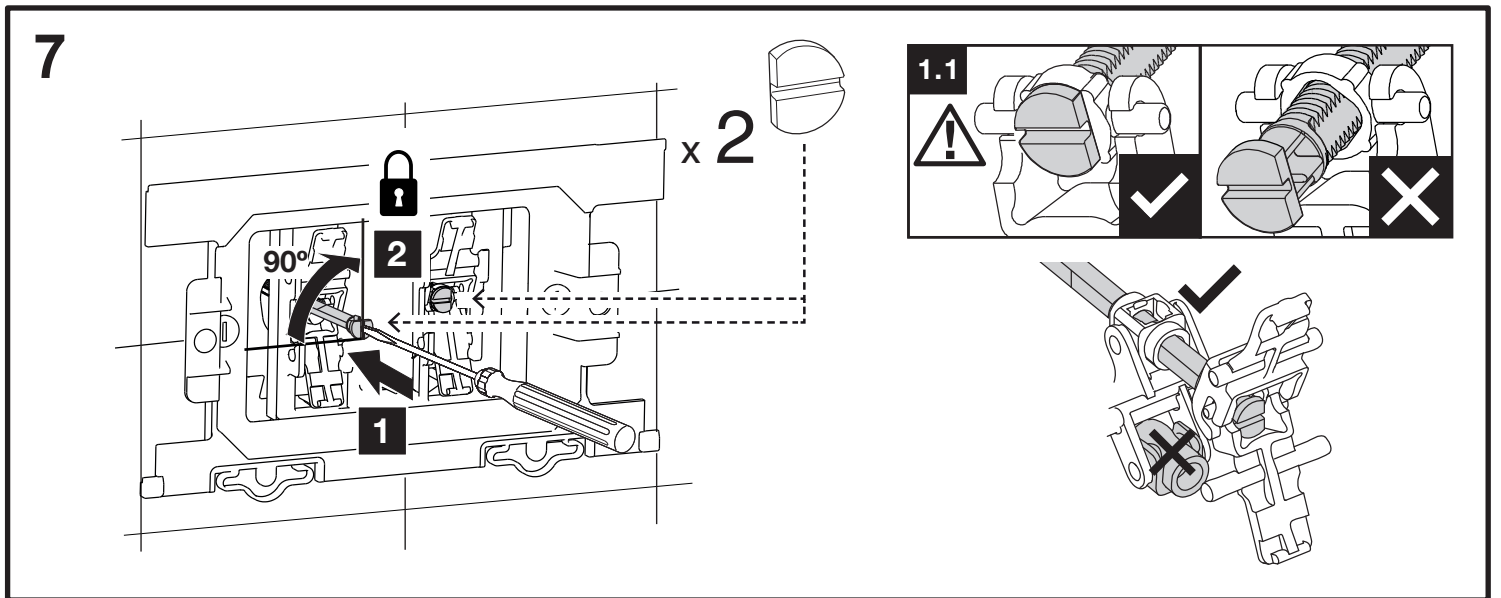
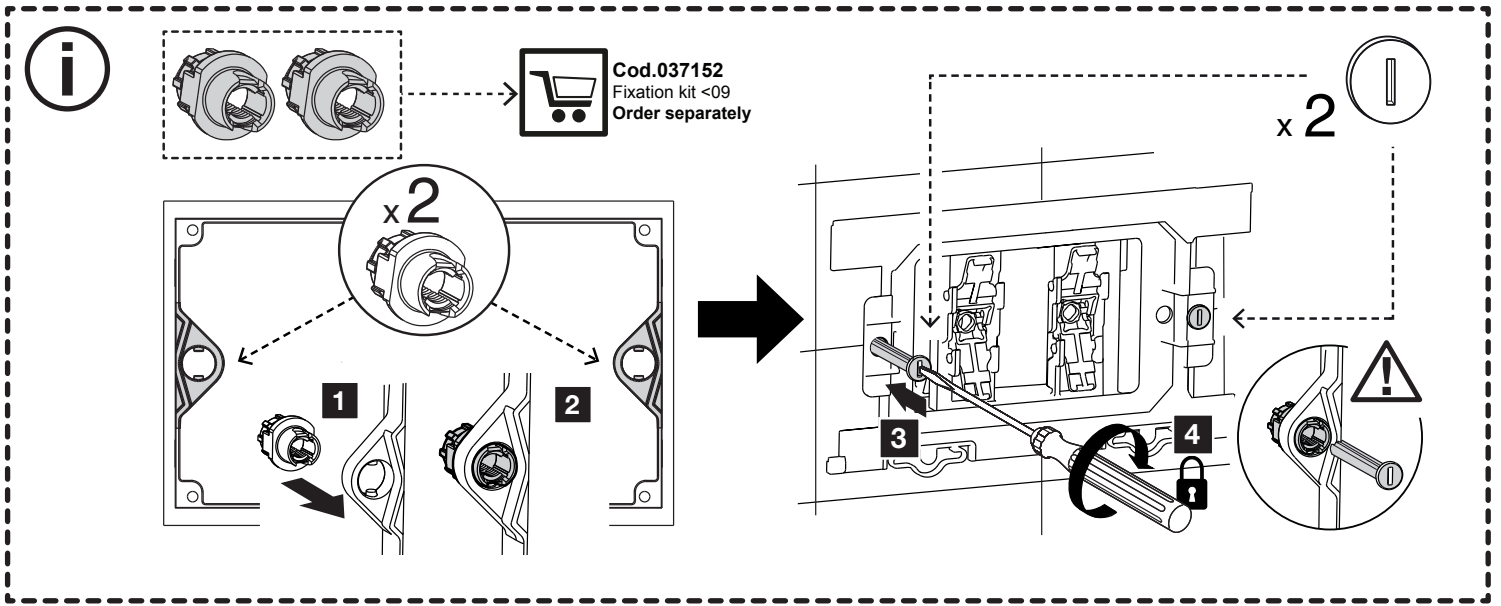


← X + 75mm →



5





If you require any additional information or have any issues with this product please refer to the website.