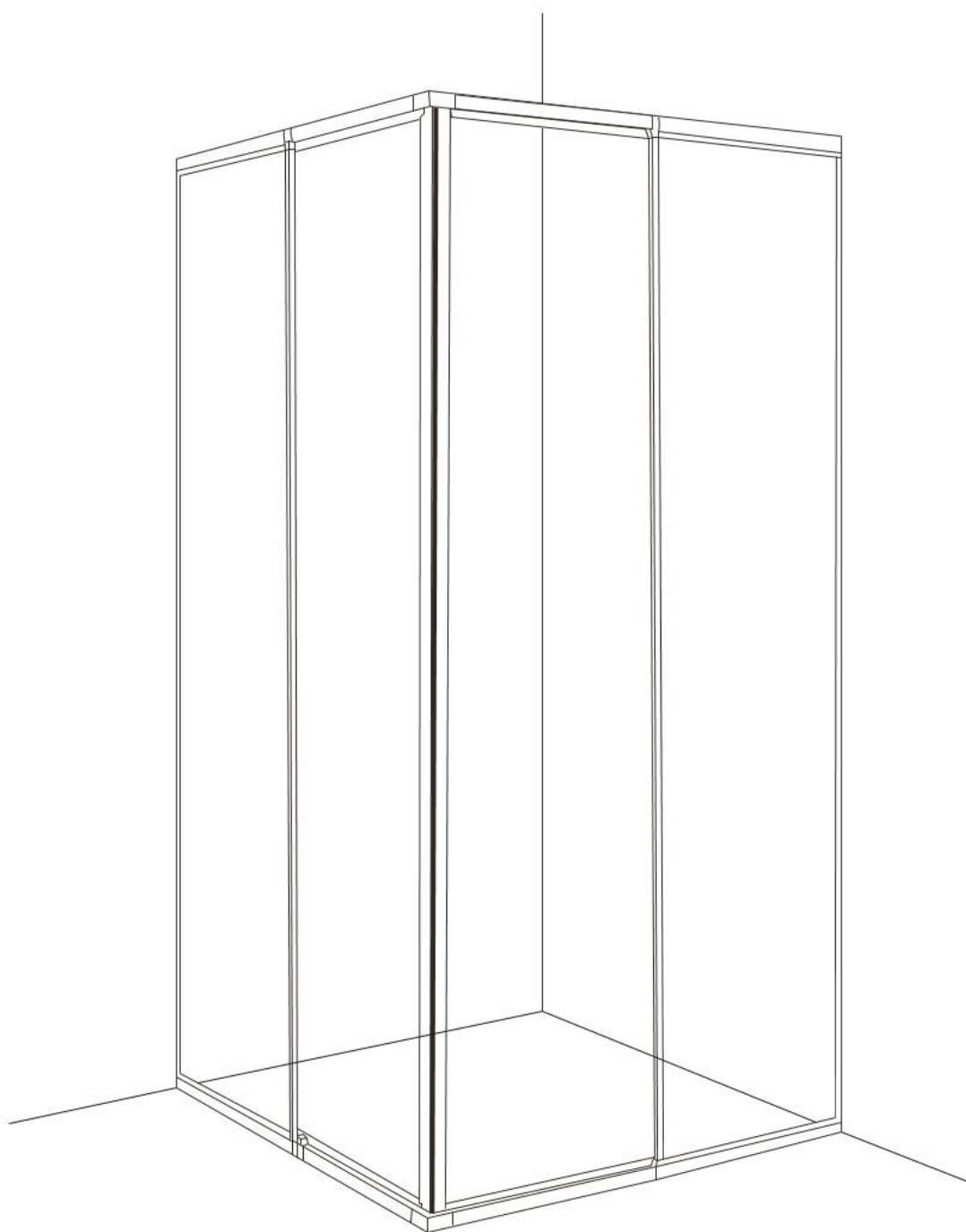


# USE INSTRUCTION HANDBOOK

## ISTRUZIONI DI MONTAGGIO

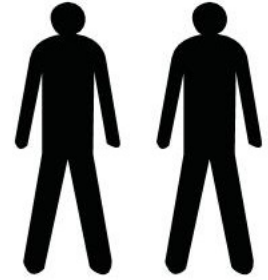


**ERICE**

## TOOLS REQUIRED(NOT SUPPLIED)

when you're ready to start,make sure that you have the following tools to hand,plenty of space and a clean dry area for assembly.

Two people are needed. Please note:although these instructions are comprehensive,We always recommend that a technically competent installer should undertake installation.



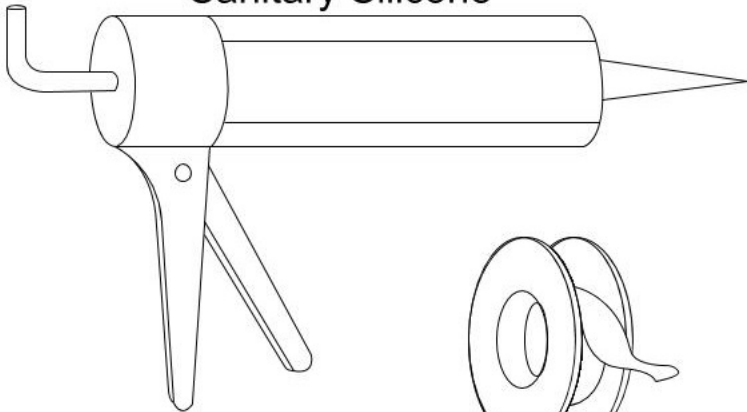
Drill beat head 2.8mm



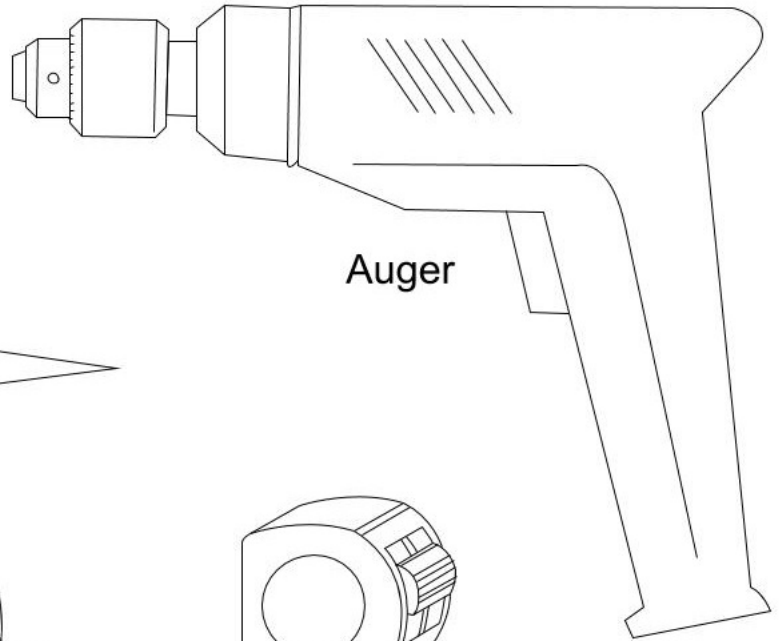
Drill beat head 8mm



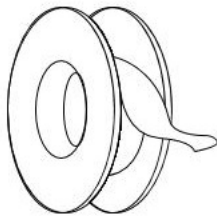
Sanitary Silicone



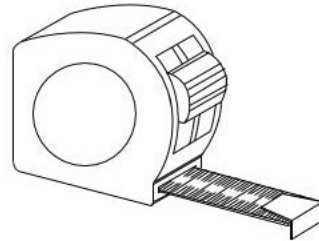
Auger



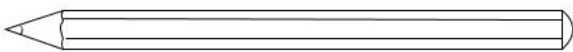
PTFE tape



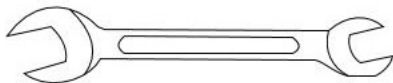
Tape measure



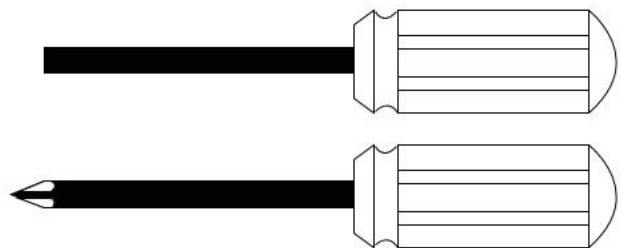
Pencil



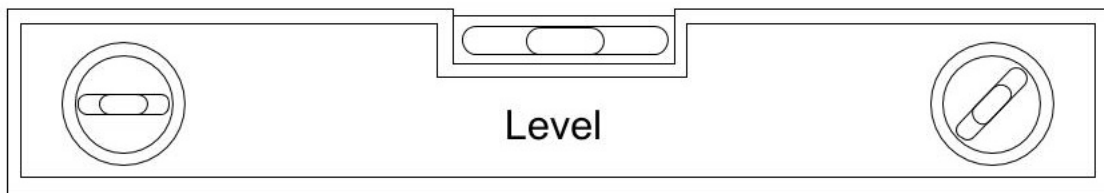
SW 8


















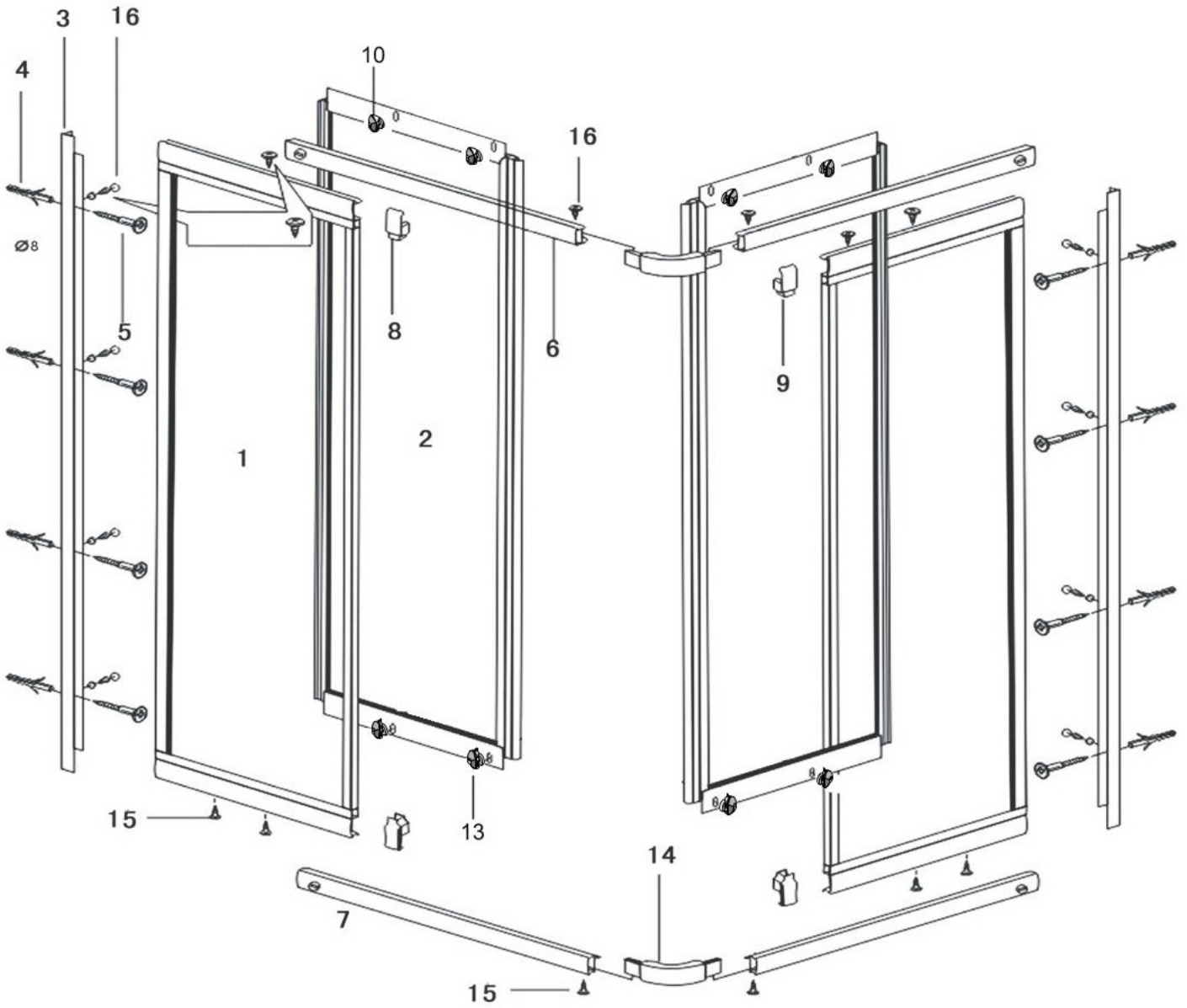
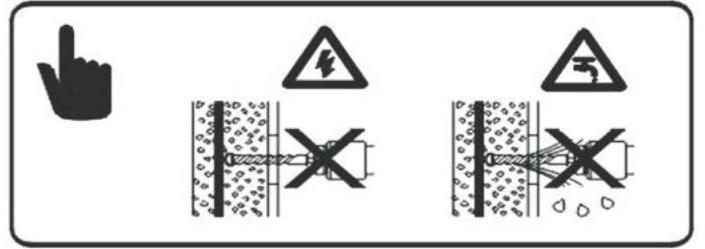
Magnetic crosshead schrewdriver



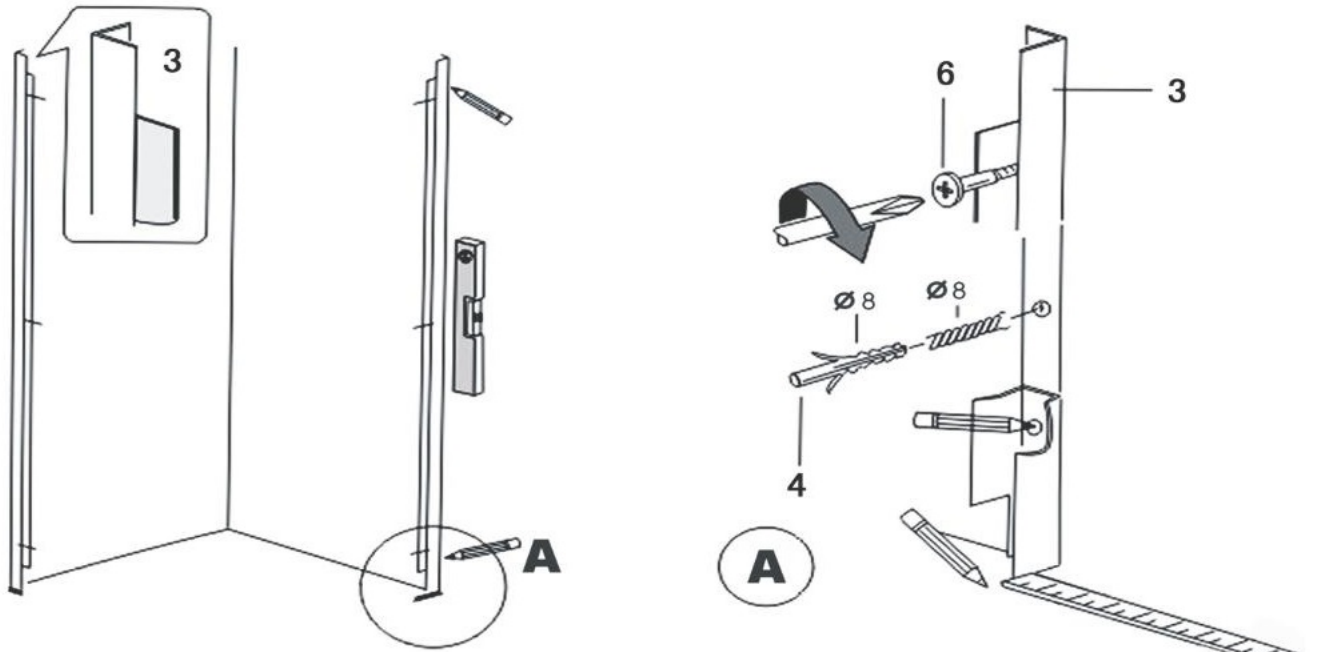
Level



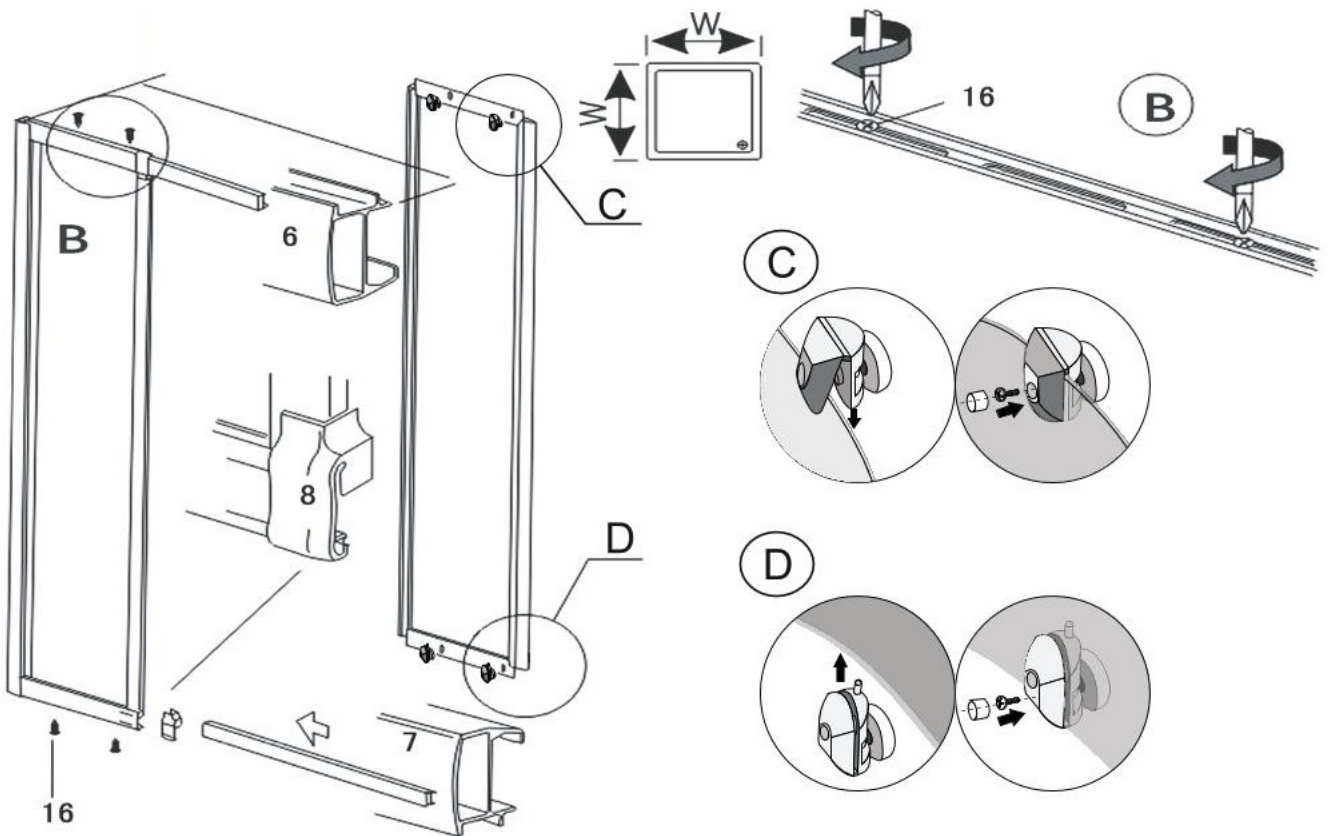
Nr.	Name	Quantity	Nr.	Name	Quantity
1	 L=180cm w=43.8cm glass: 4mm	2	13		4
2	 L=180cm w=43.8cm glass: 4mm	2	14		2
3	 L=180cm	2	15	 3.5x7.5	13
4		8	16	 3.5x9.5	9
5	 4x26mm	8	17	 2.8mm	1
6		2			
7		2			
8		2			
9		2			
10		4			



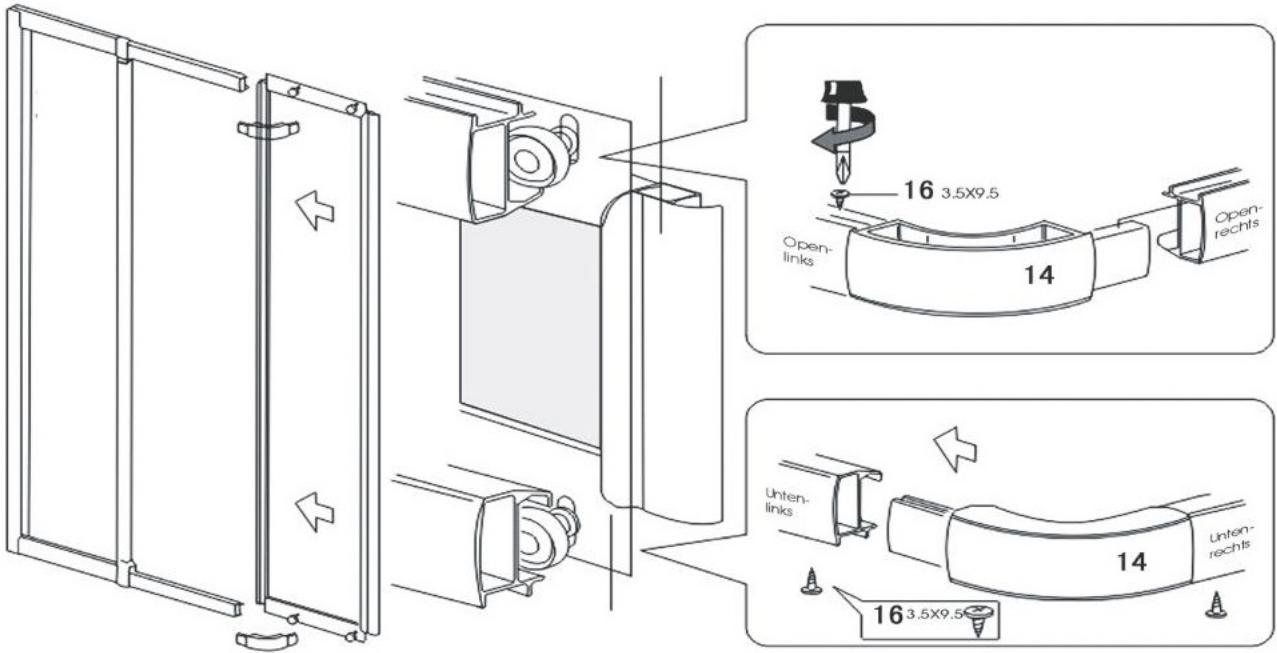
1.



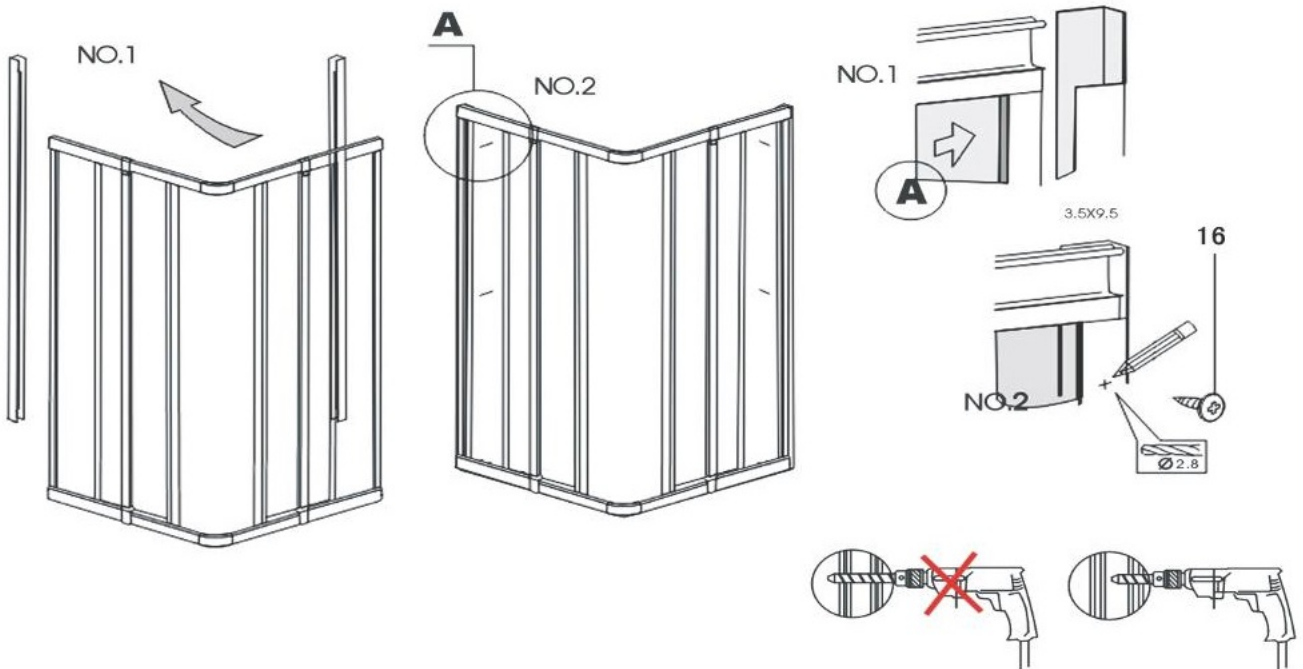
2.



3.



4.





5.

