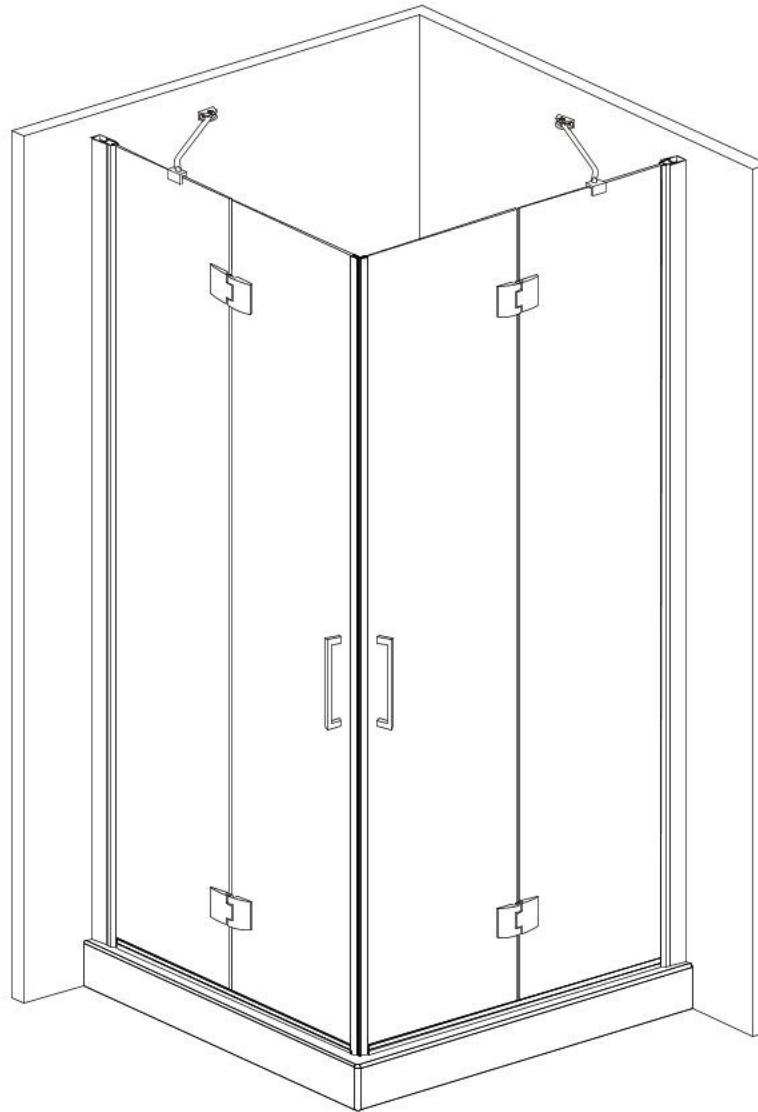
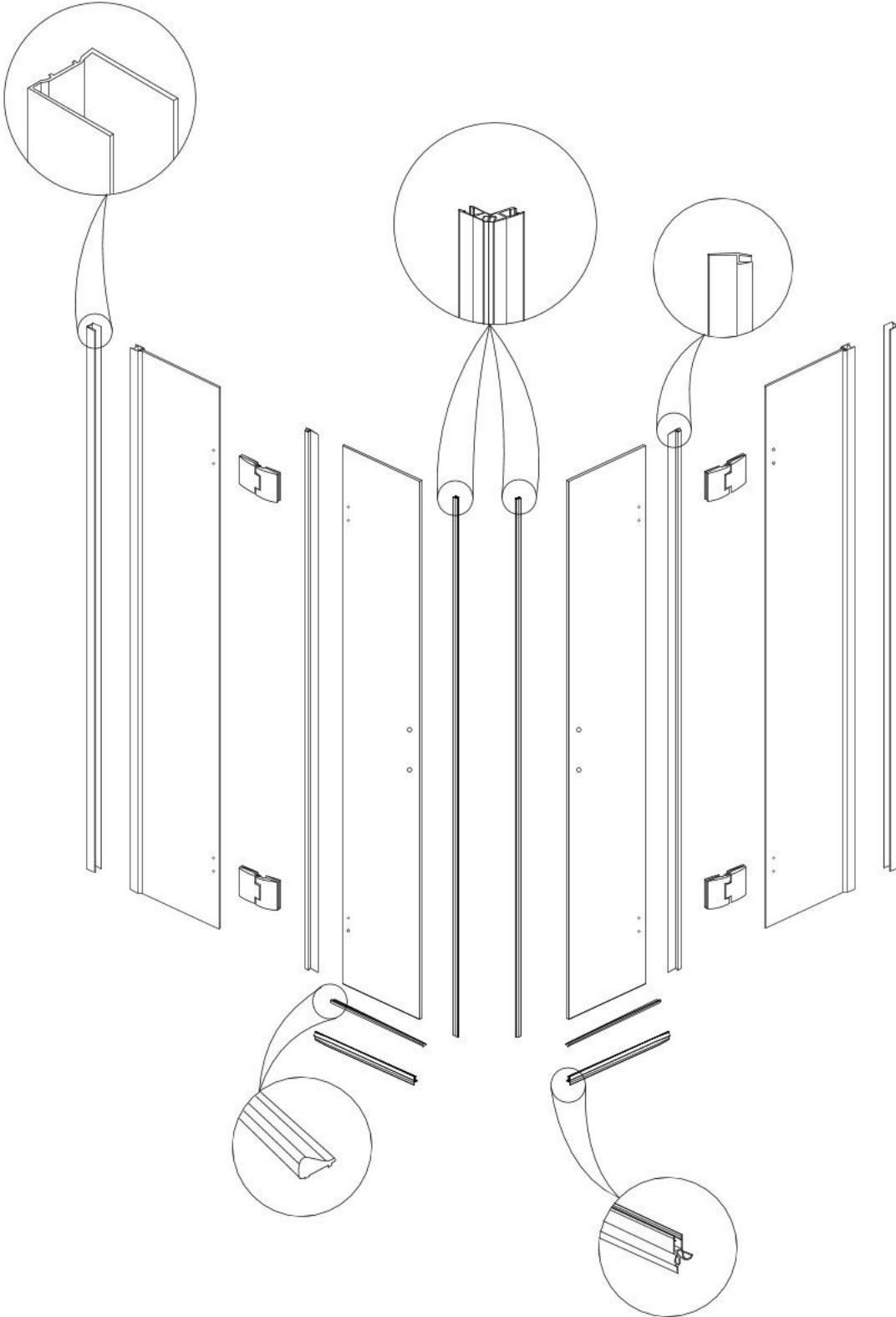
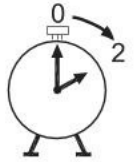
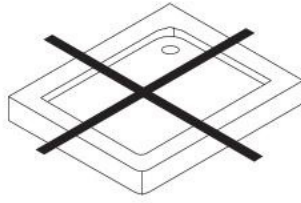


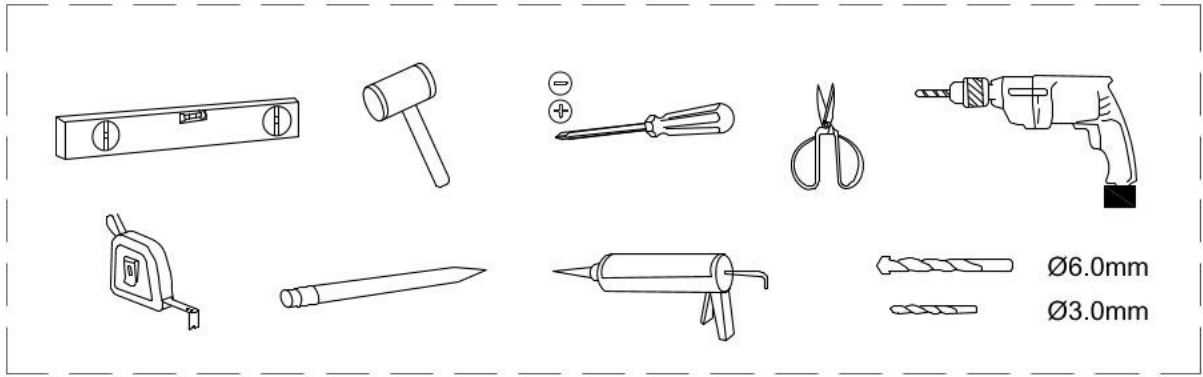
# USE INSTRUCTION HANDBOOK

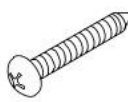
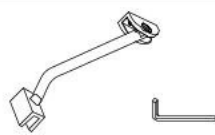

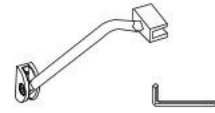












## ISTRUZIONI DI MONTAGGIO

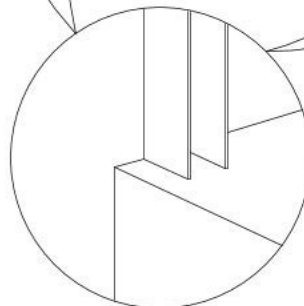
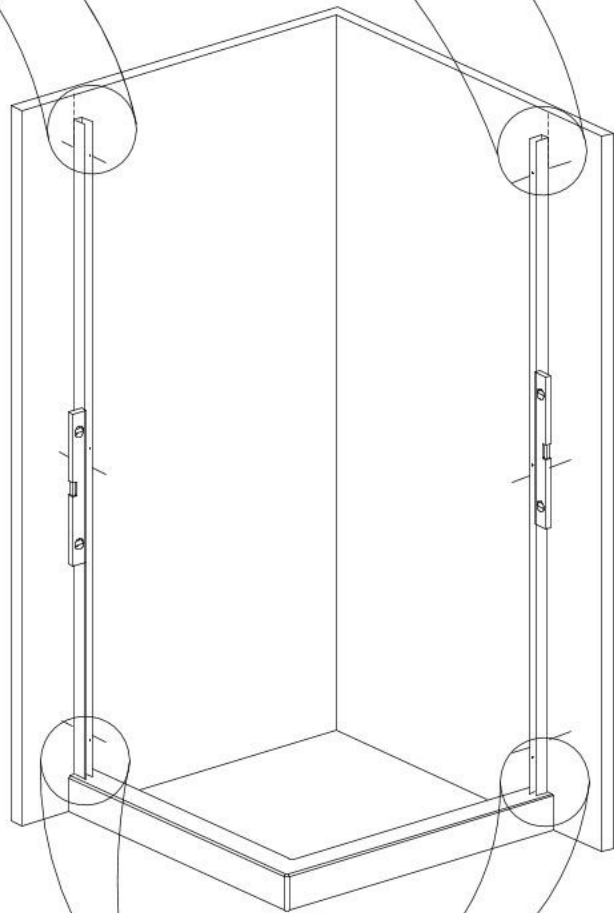
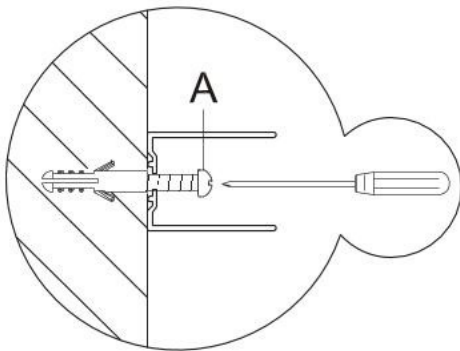
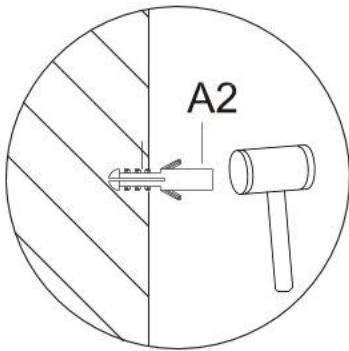
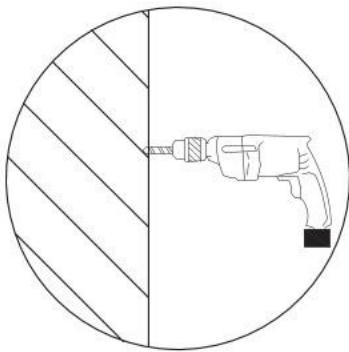
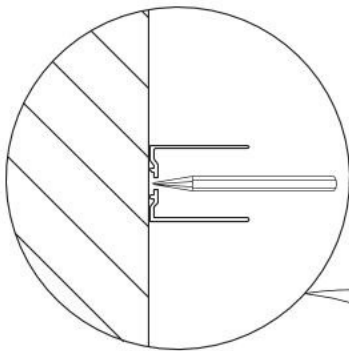
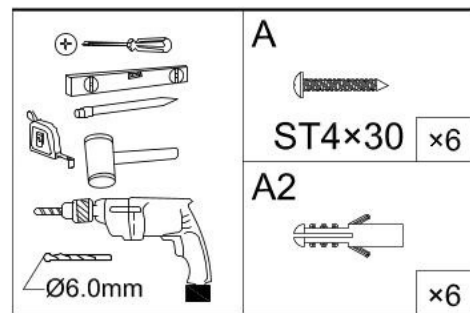


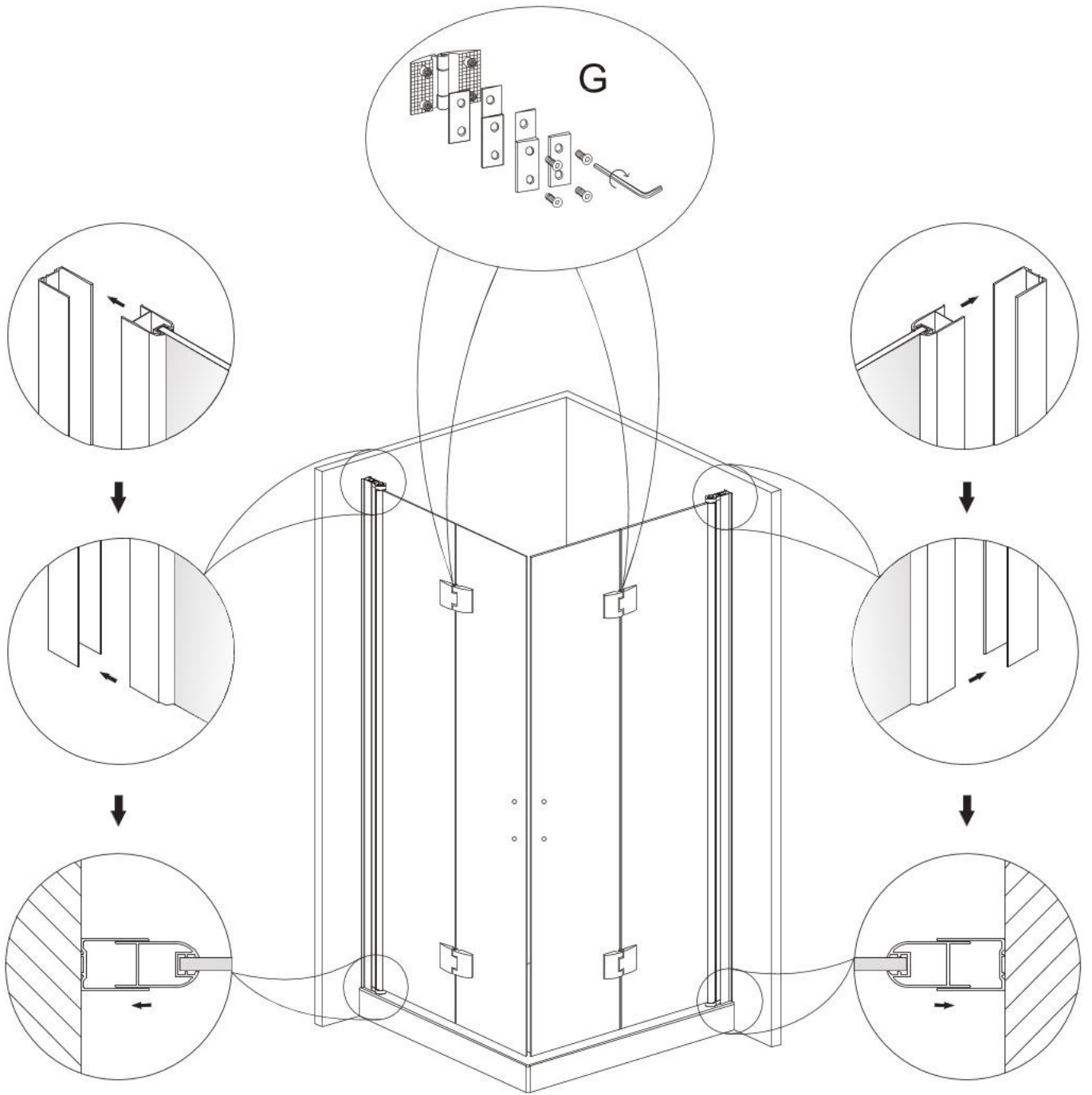
**LONDON**

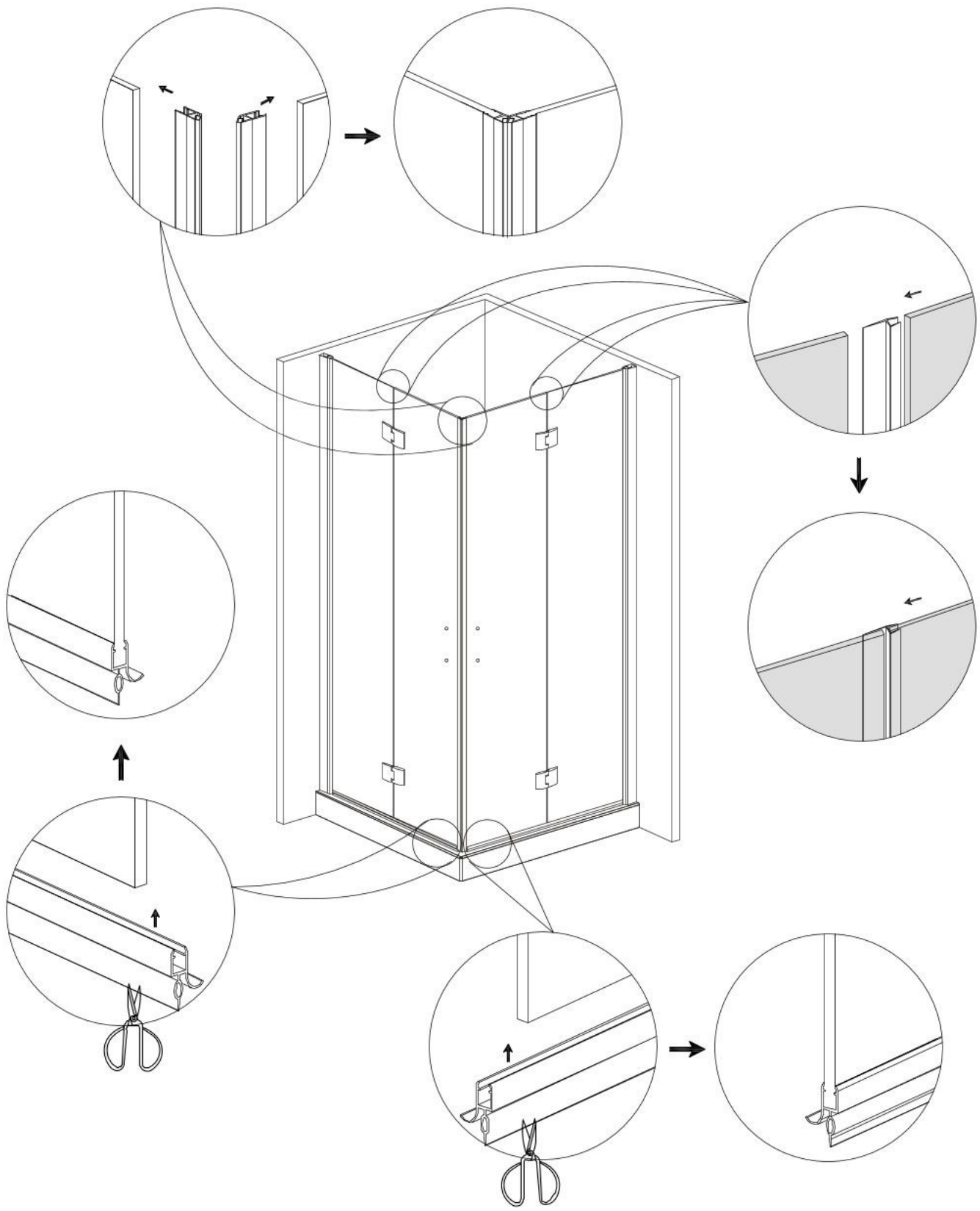


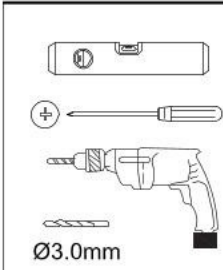





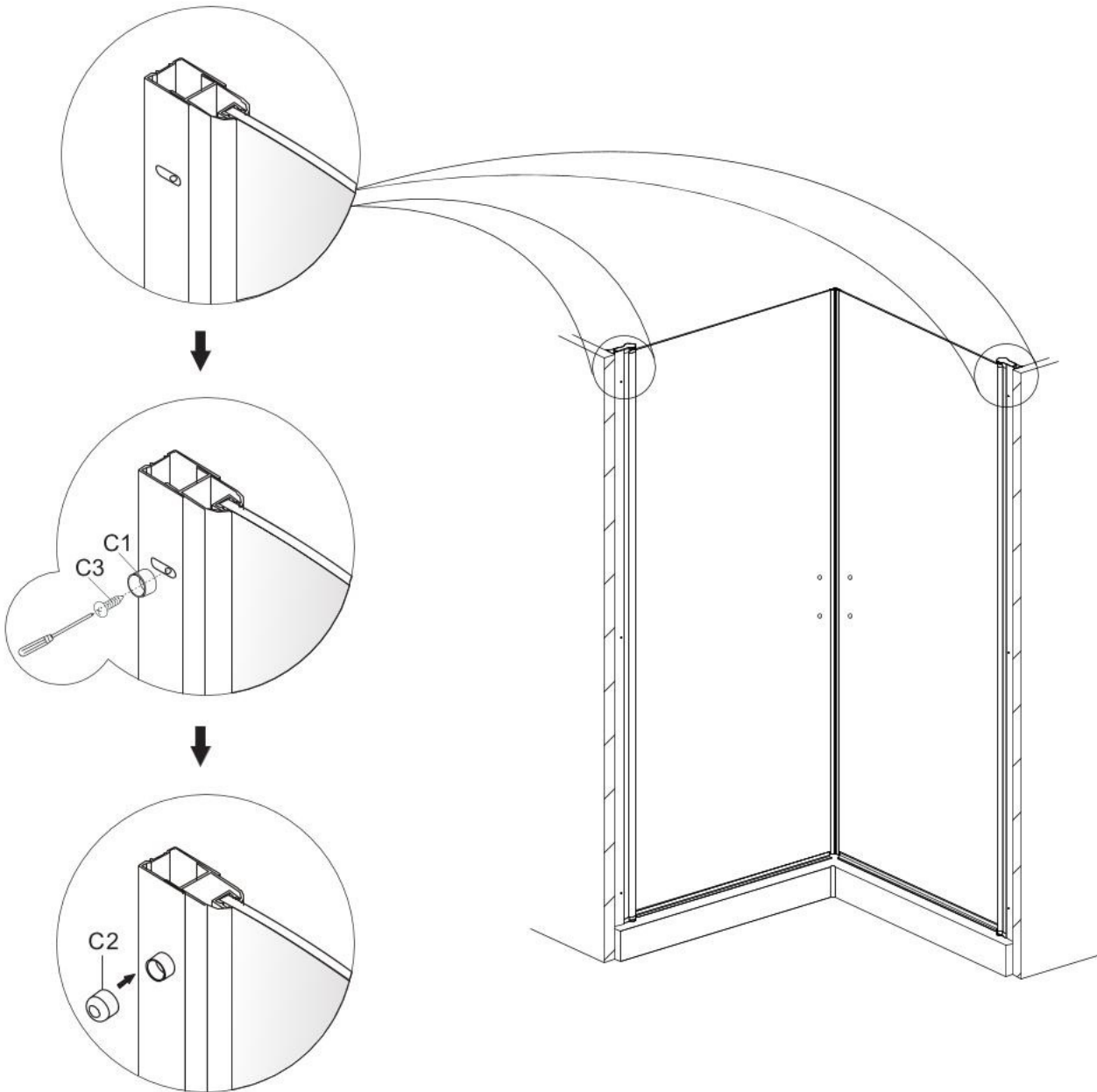
|    |   |    |    |   |    |
|----|---|----|----|---|----|
| A1 | <br>ST4x30mm   | x6 | D2 |    | x1 |
| A2 |                | x6 | D3 |    | x1 |
| B  |              | x2 | E  |  | x1 |
| C1 |              | x4 | E1 |  | x1 |
| C2 |              | x4 | E2 |  | x1 |
| C3 | <br>ST4x12mm | x4 | H1 |  | x2 |
| D  | <br>ST4x30mm | x4 | H2 |  | x2 |
| D1 |              | x4 | G  |  | x4 |

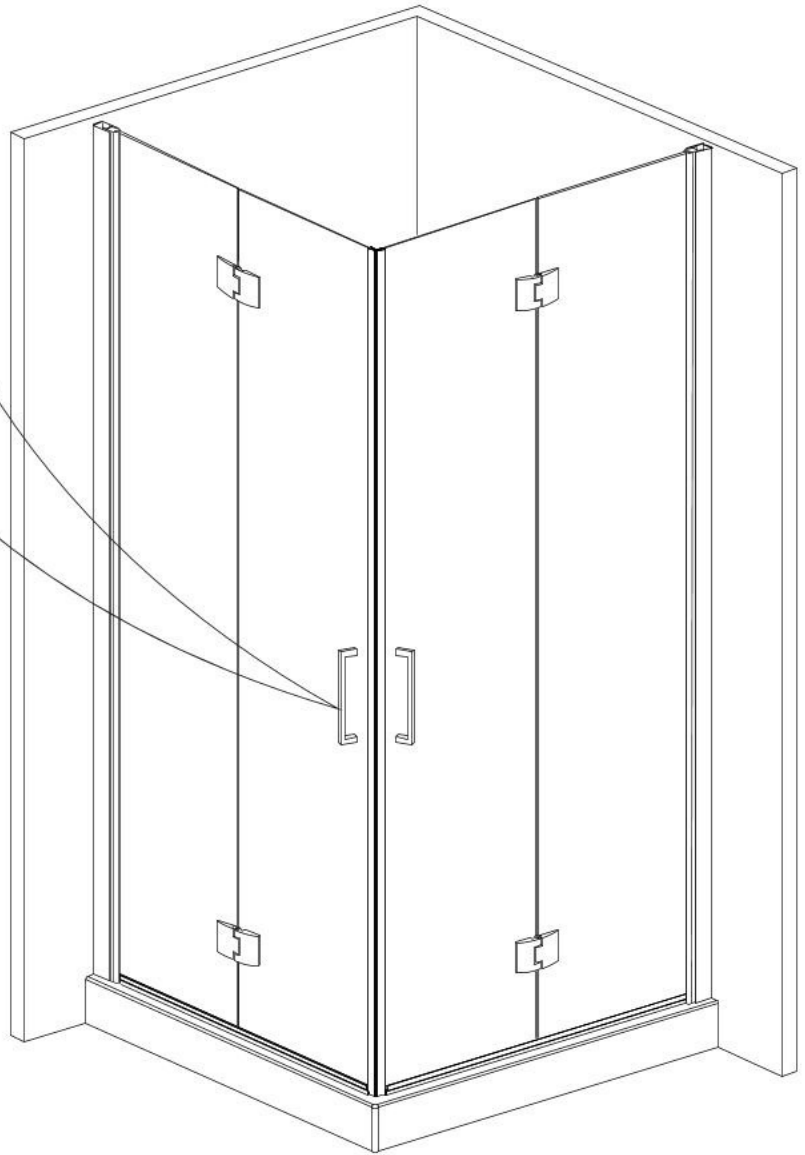
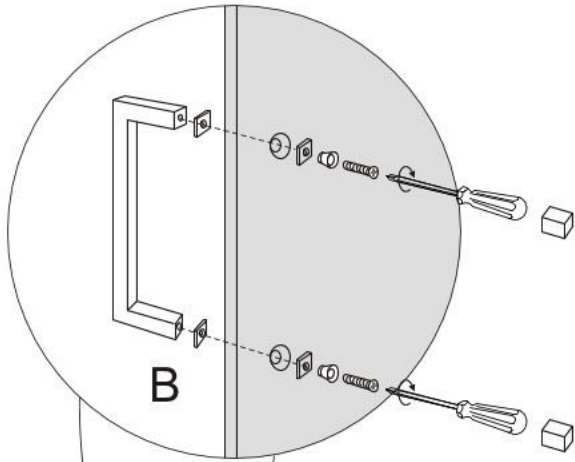
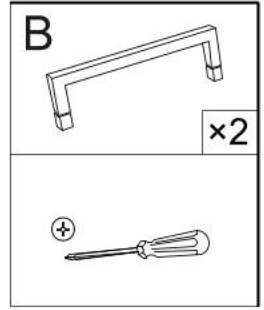




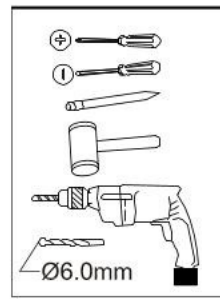


|  |   |
|--|---|
|  | <b>C1</b><br><br>x4           |
|  | <b>C2</b><br><br>x4          |
|  | <b>C3</b><br><br>ST4x12mm x4 |







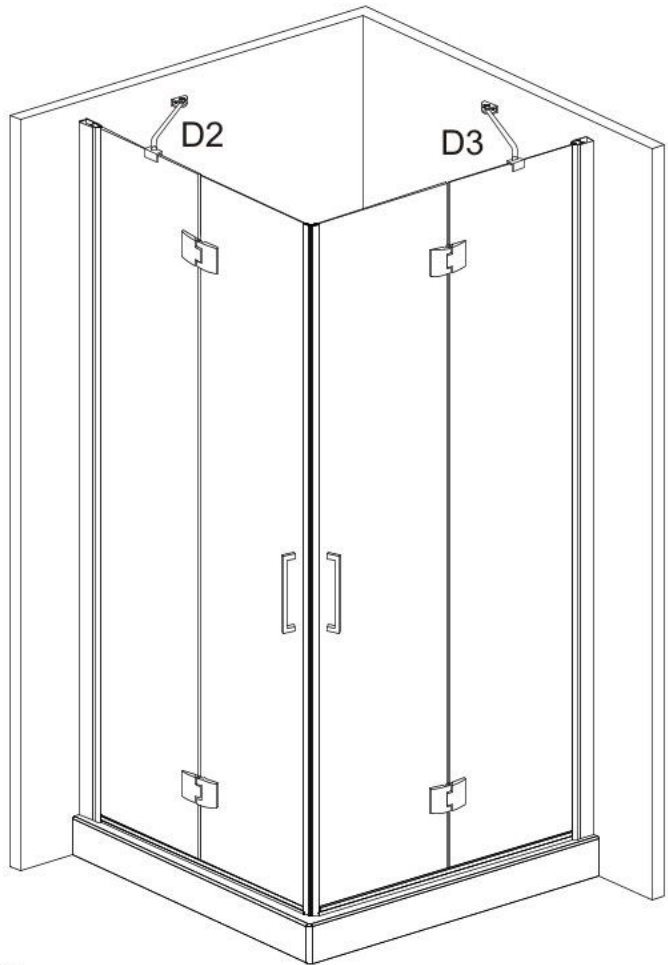
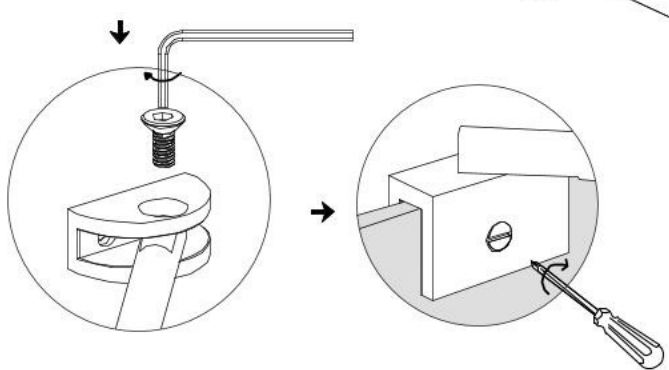
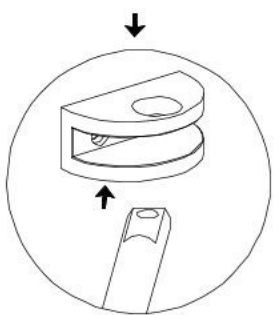
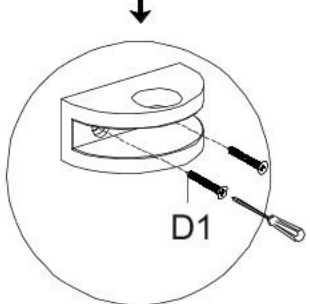
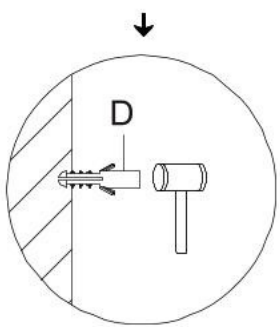
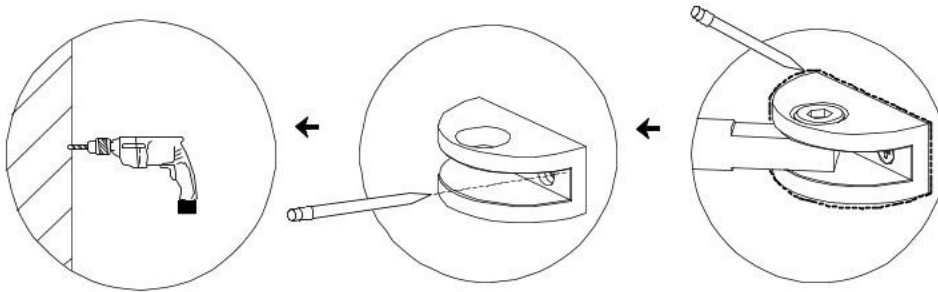


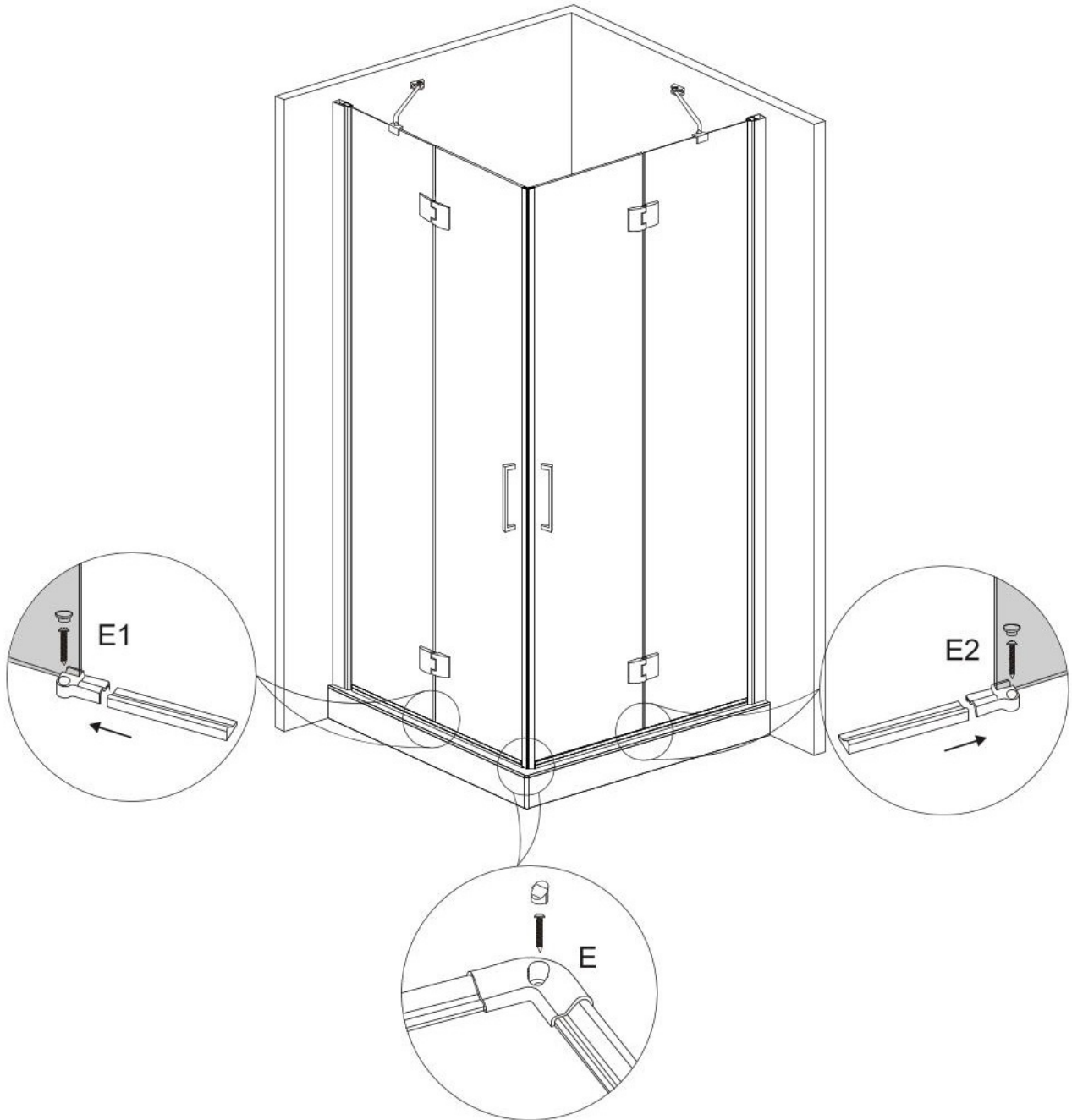
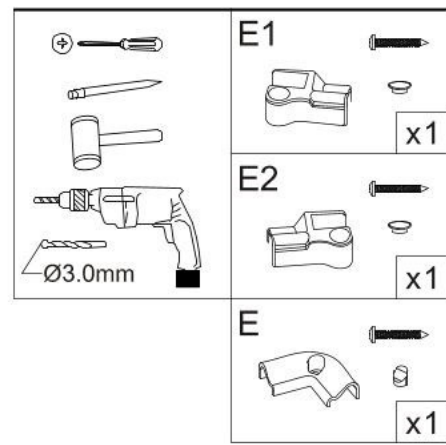
**D**  
ST4x30 X4

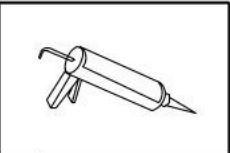
**D1**  
x4

**D2**  
X1

**D3**  
X1







H1



x2

H2



x2

