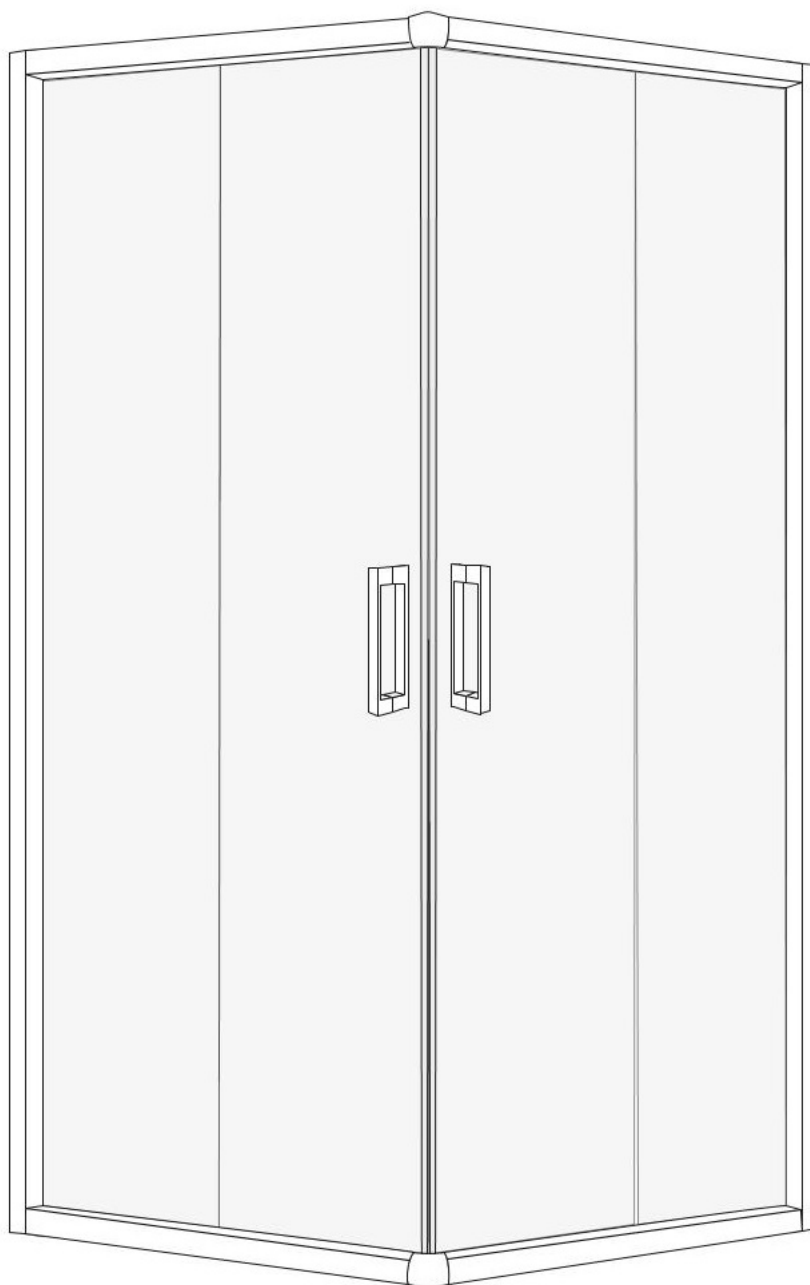
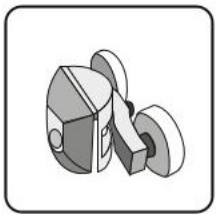
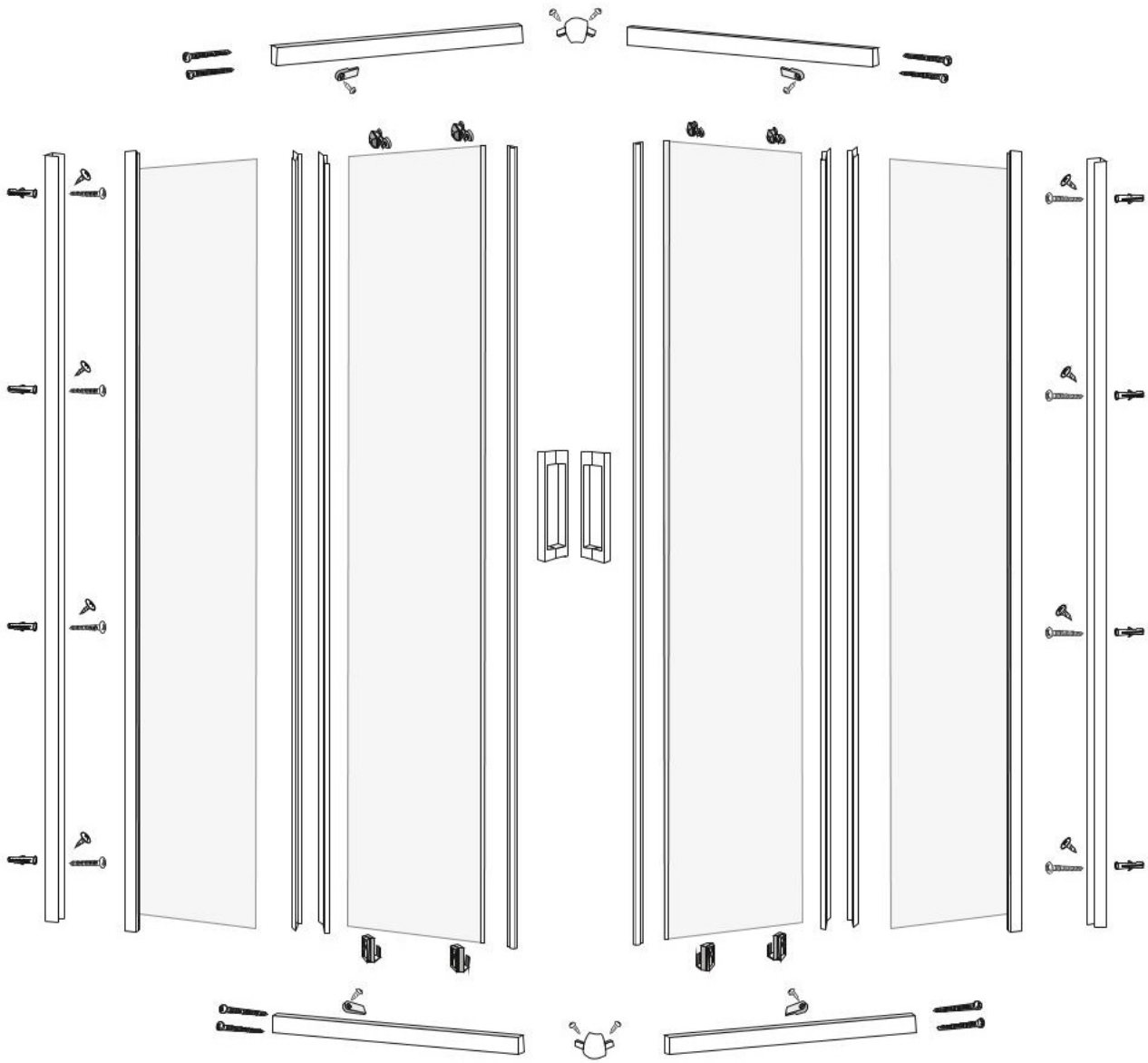


USE INSTRUCTION HANDBOOK

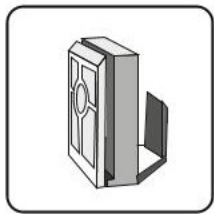
ISTRUZIONI DI MONTAGGIO



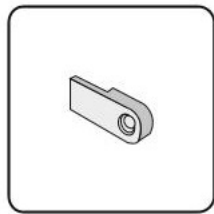
FLY



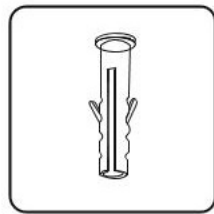
4PCS



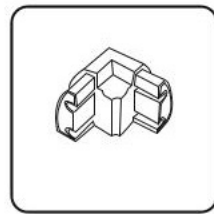
4PCS



4PCS



8PCS



2PCS



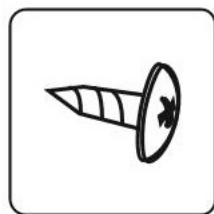
4x45mm
8PCS



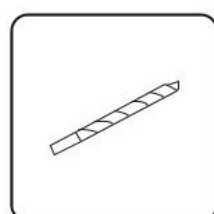
4x25mm
8PCS



4x14mm
8PCS



4x10mm
8PCS

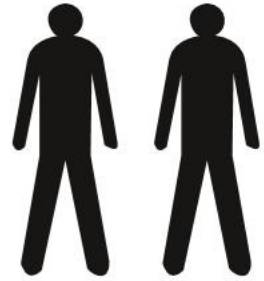


3mm

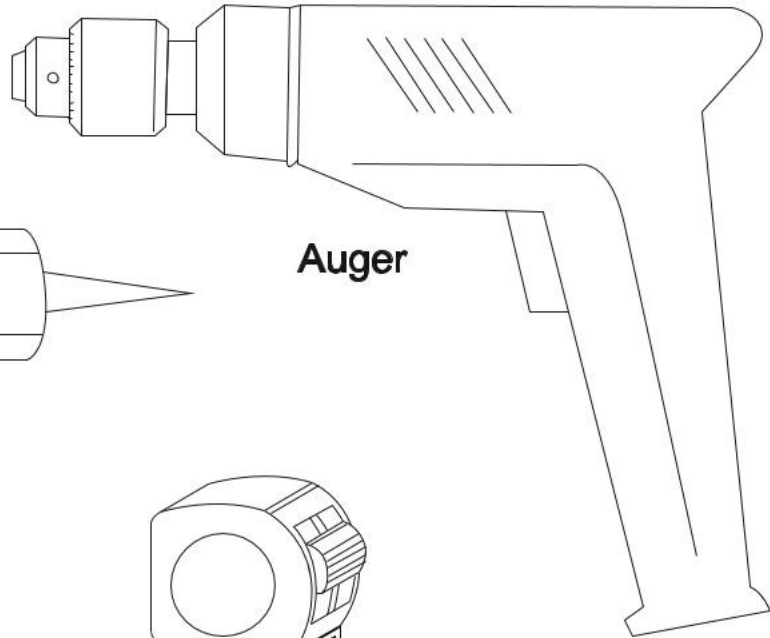
TOOLS REQUIRED(NOT SUPPLIED)

when you're ready to start,make sure that you have the following tools to hand,plenty of space and a clean dry area for assembly.

Two people are needed. Please note:although these instructions are comprehensive,We always recommend that a technically competent installer should undertake installation.

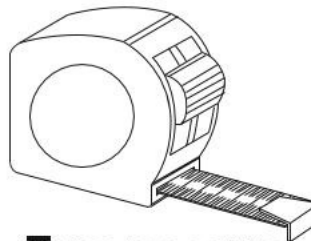
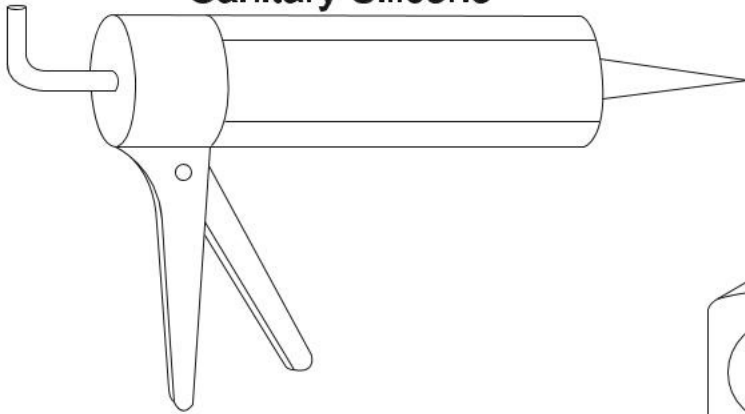


**Drill beat head
4mm**

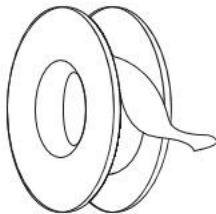


Auger

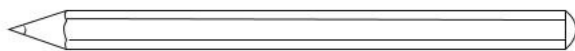
Sanitary Silicone



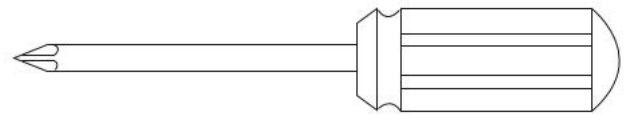
Tape measure



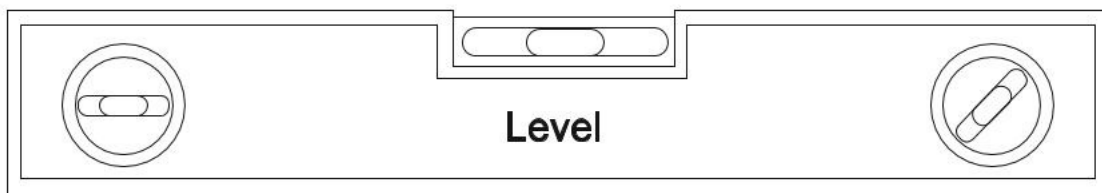
PTFE tape



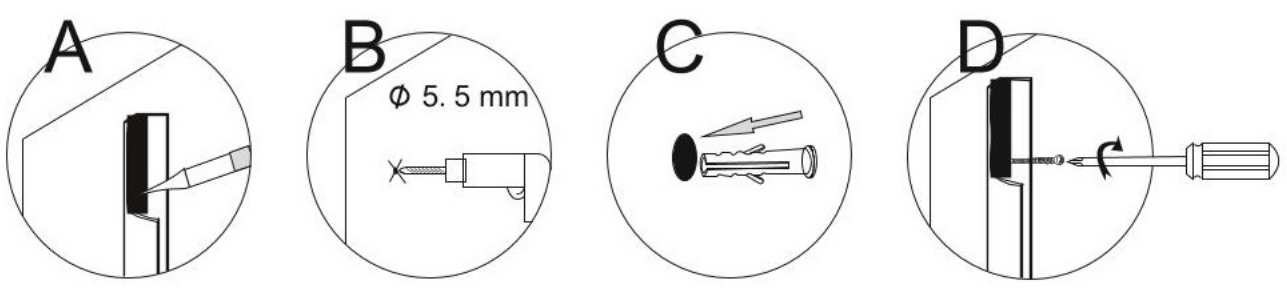
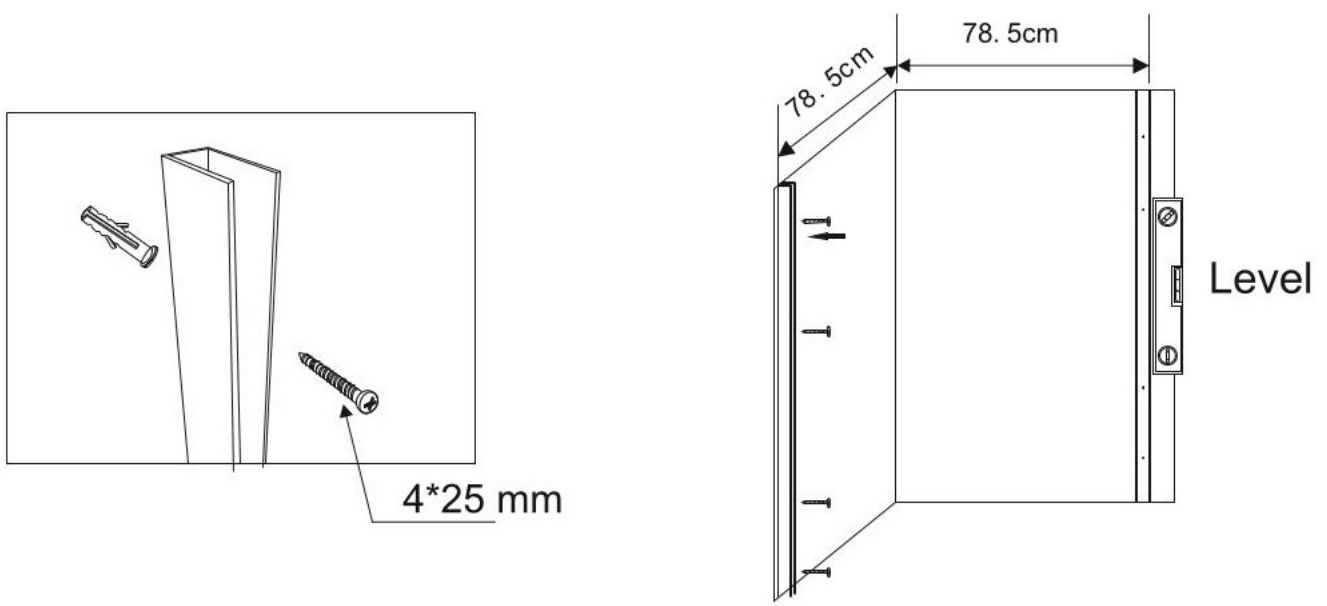
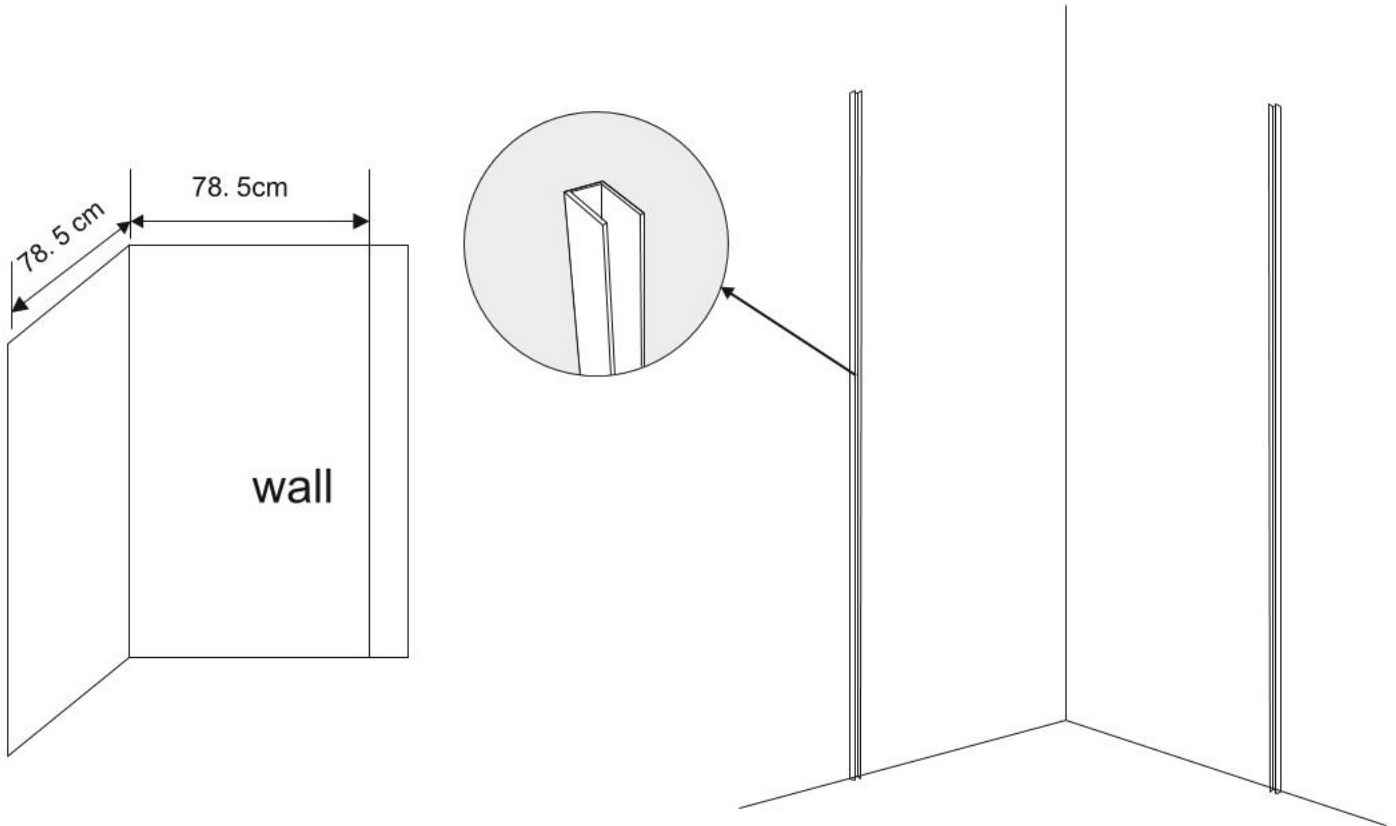
Pencil

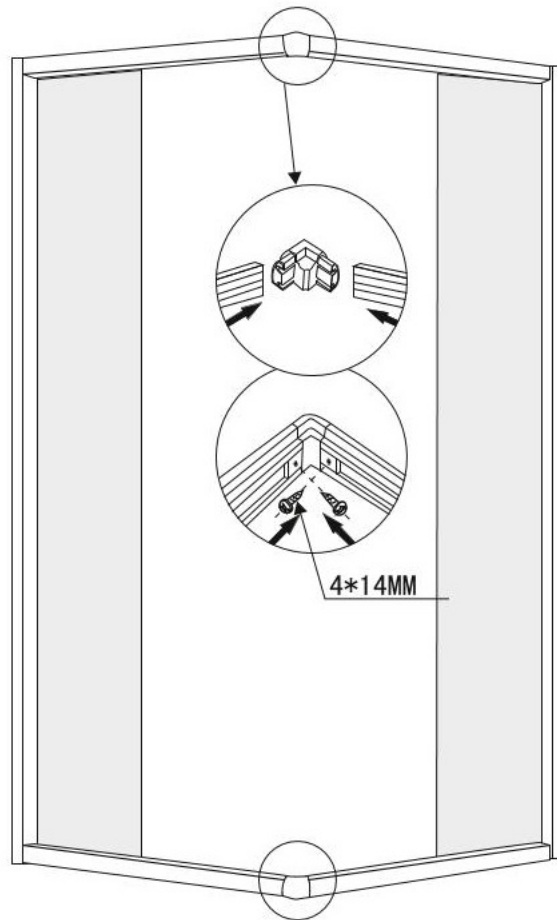
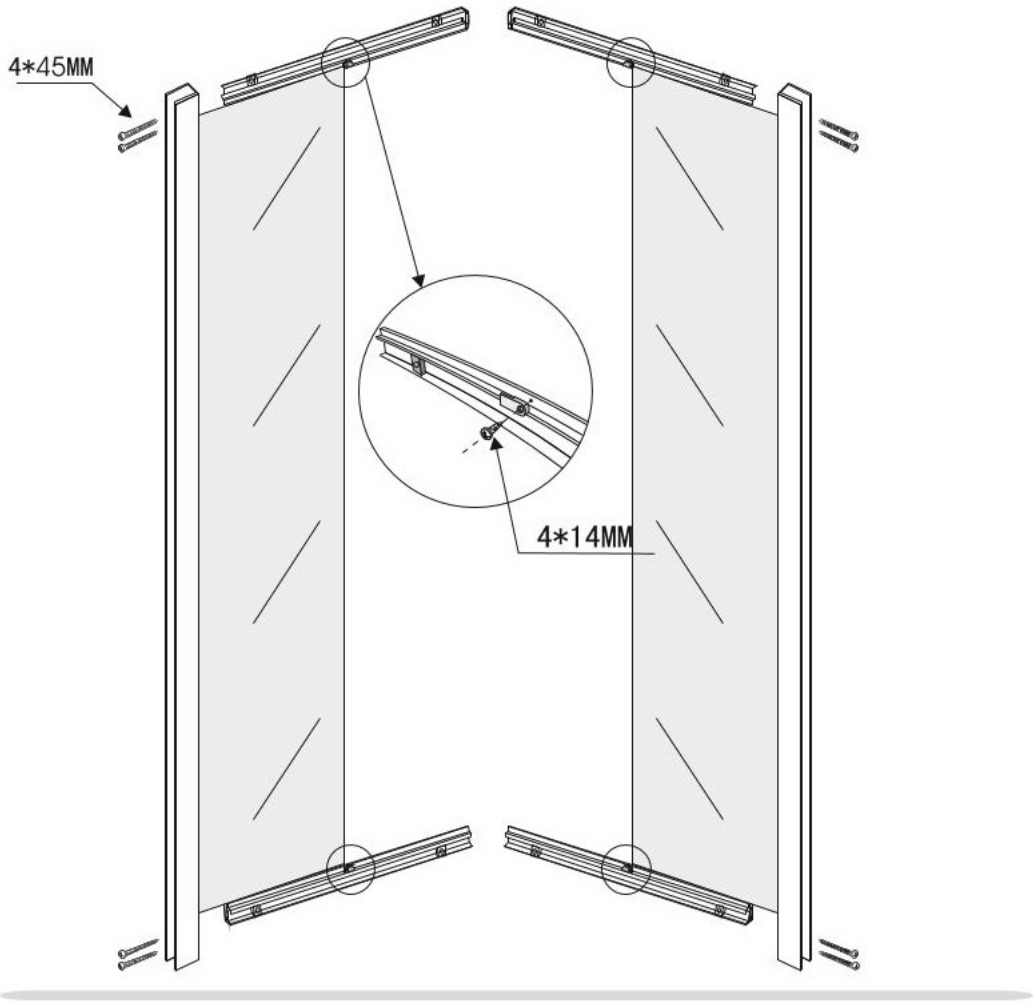


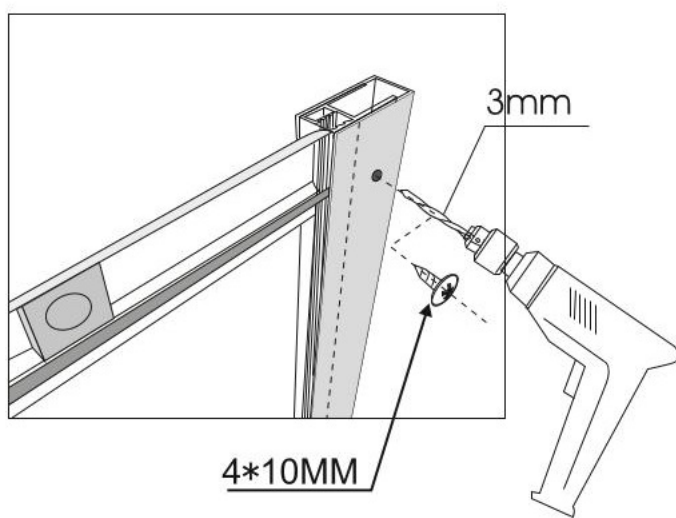
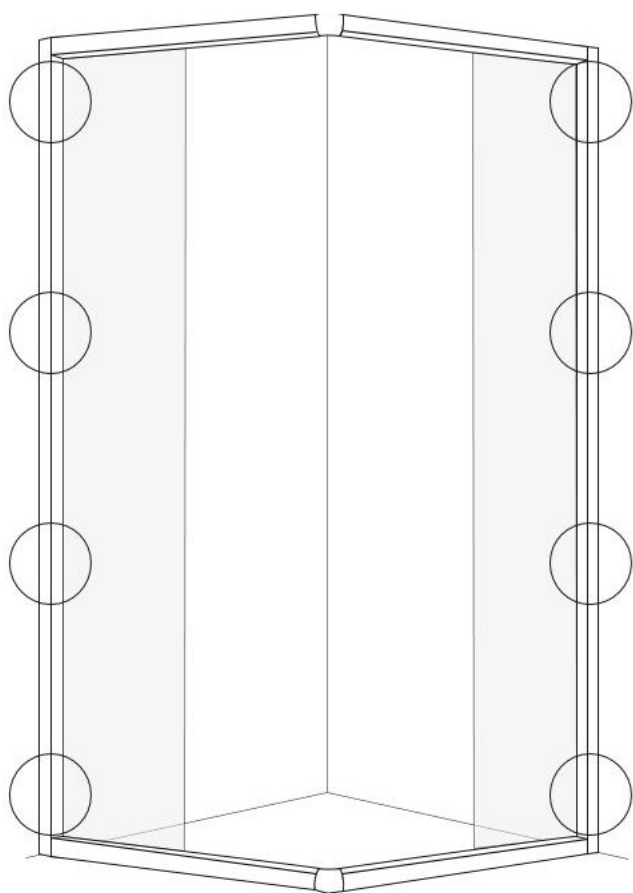
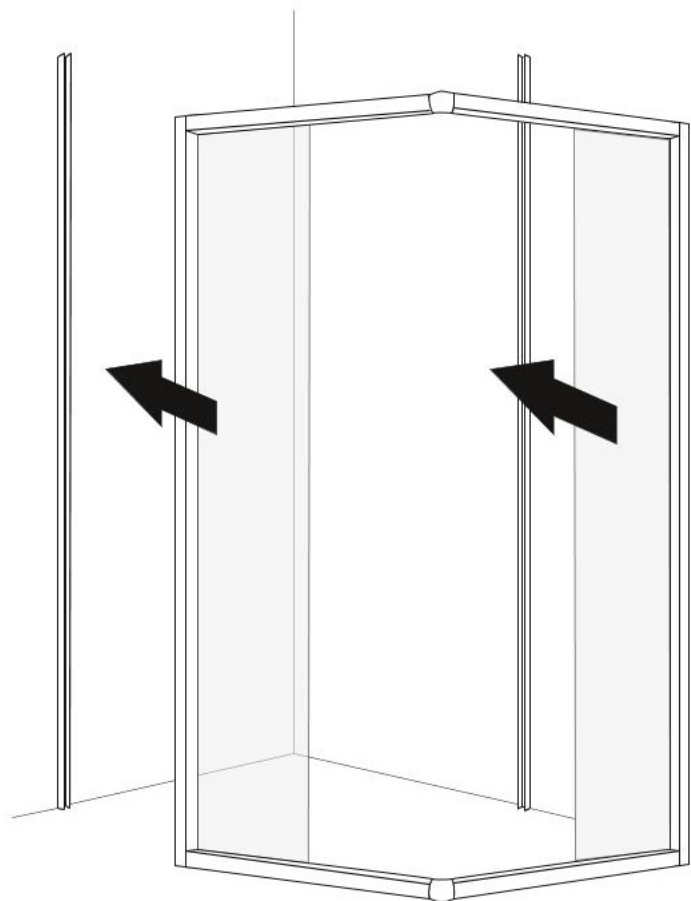
Magnetic crosshead screwdriver

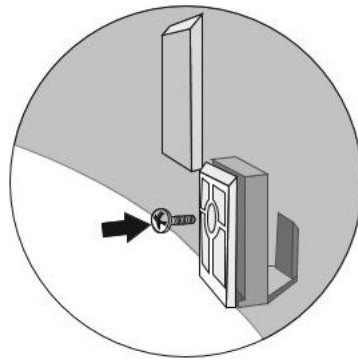
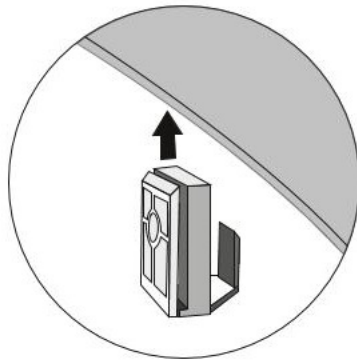
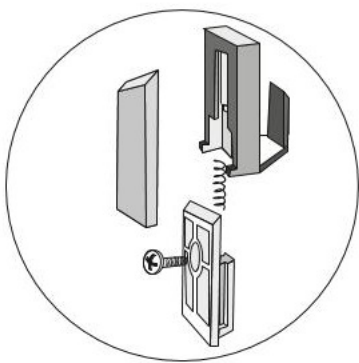
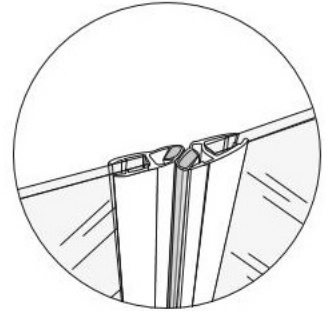
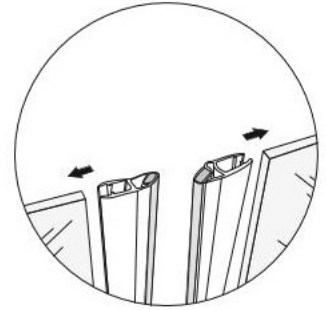
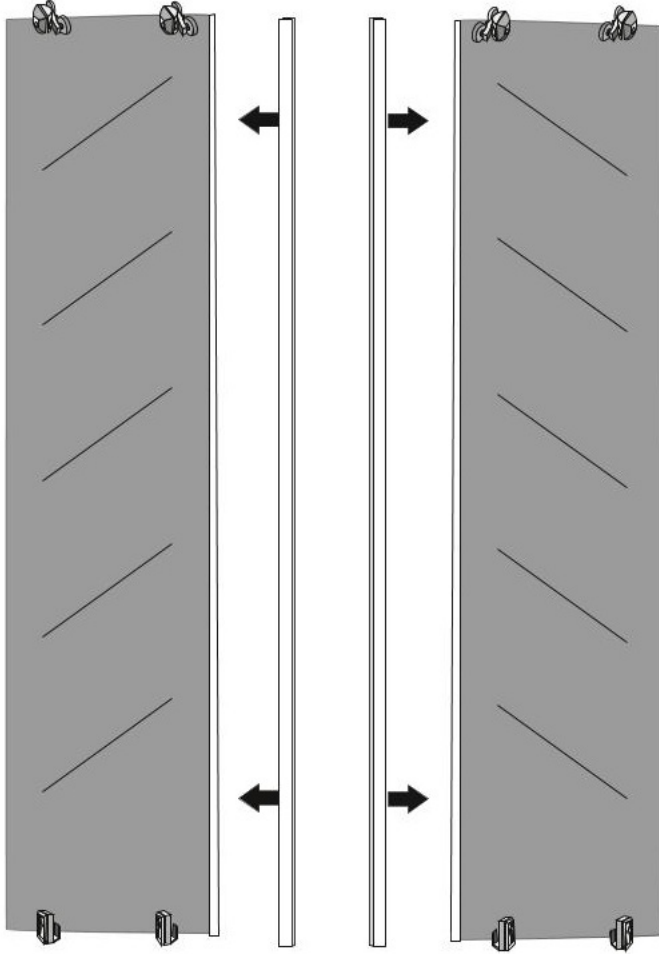
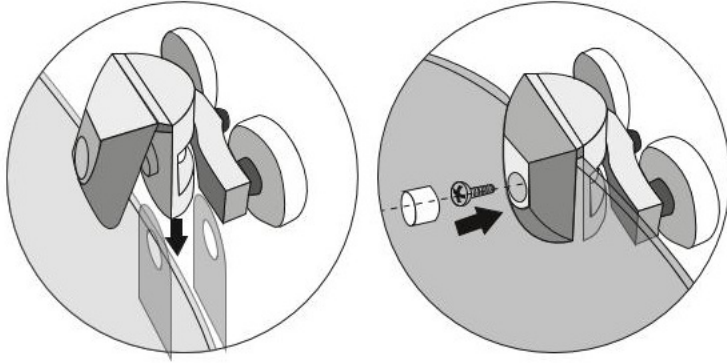


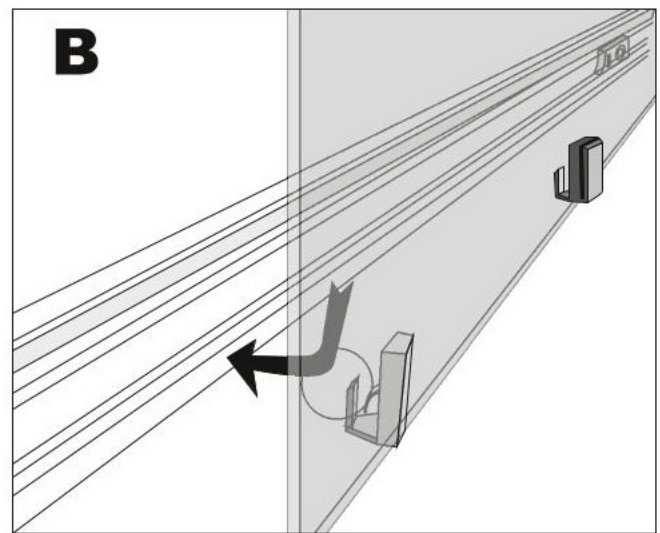
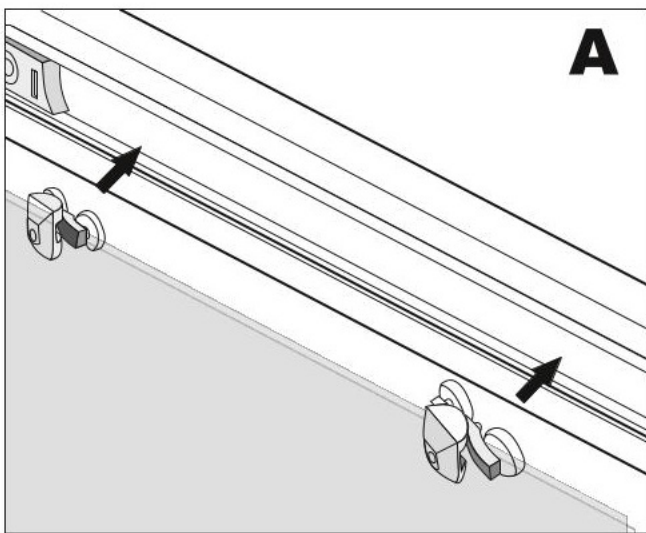
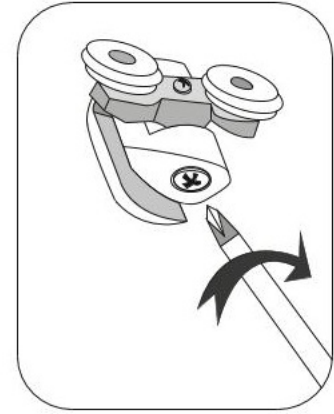
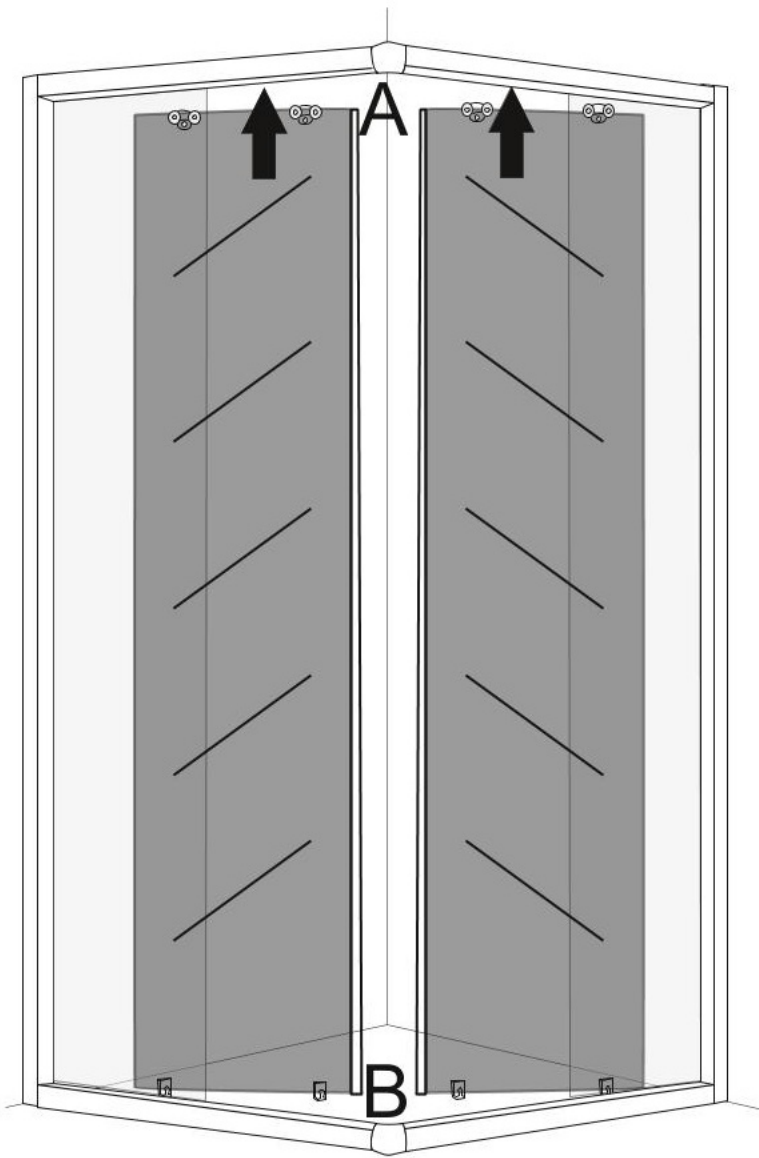
Level

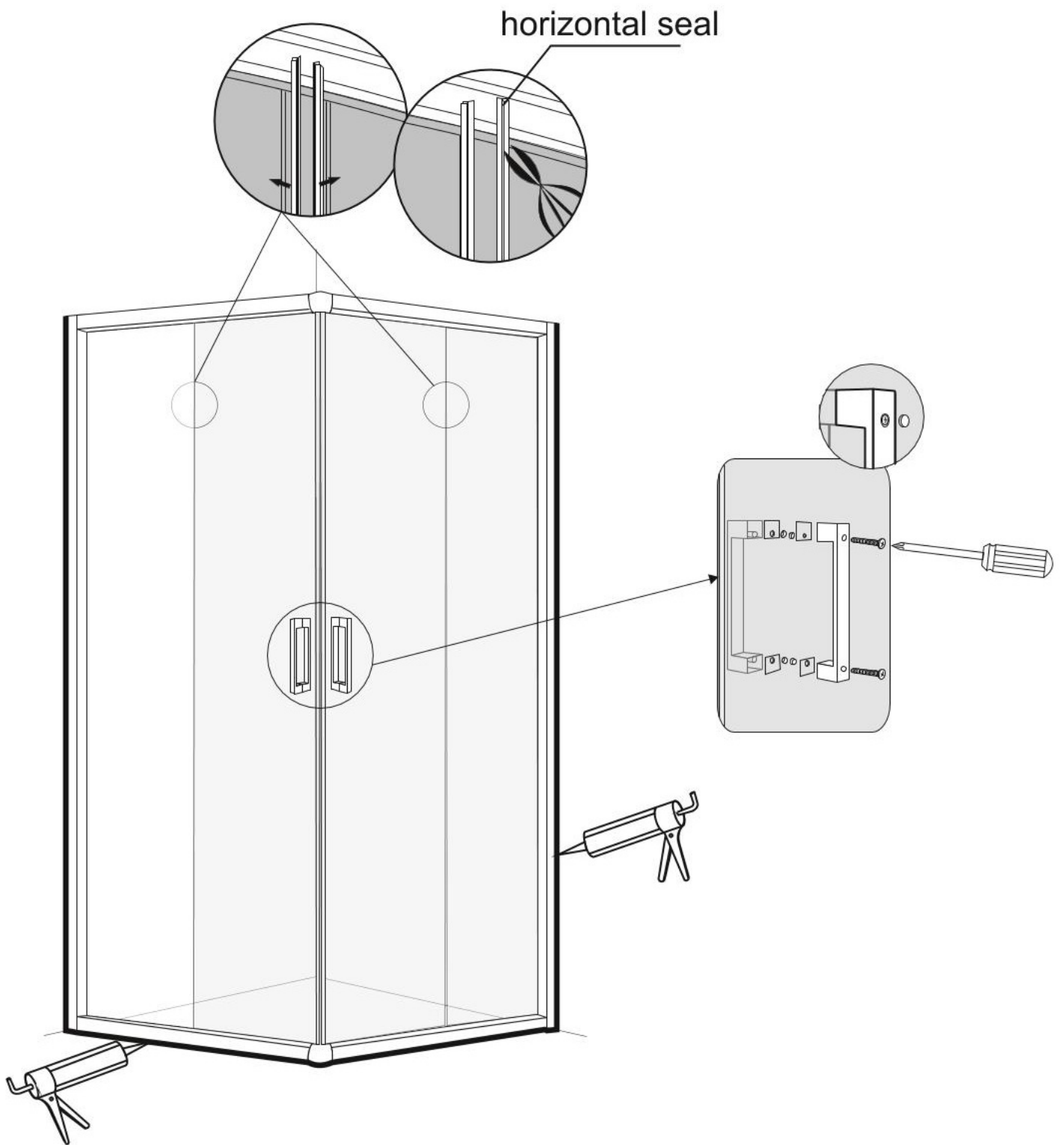












Warning: Don't use the shower enclosure until after at least 24 hours, so that the silica gel can be totally dry.

