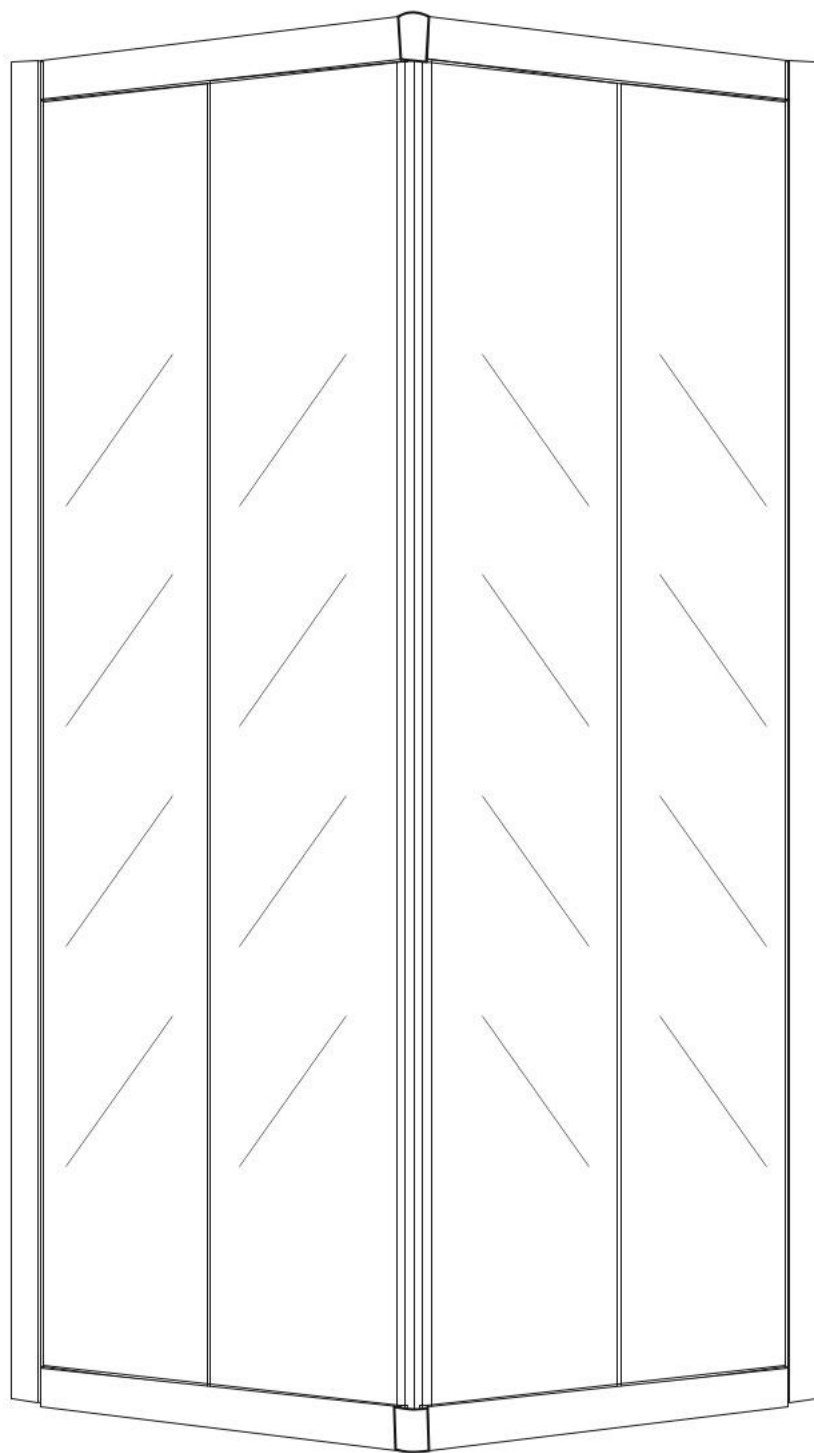
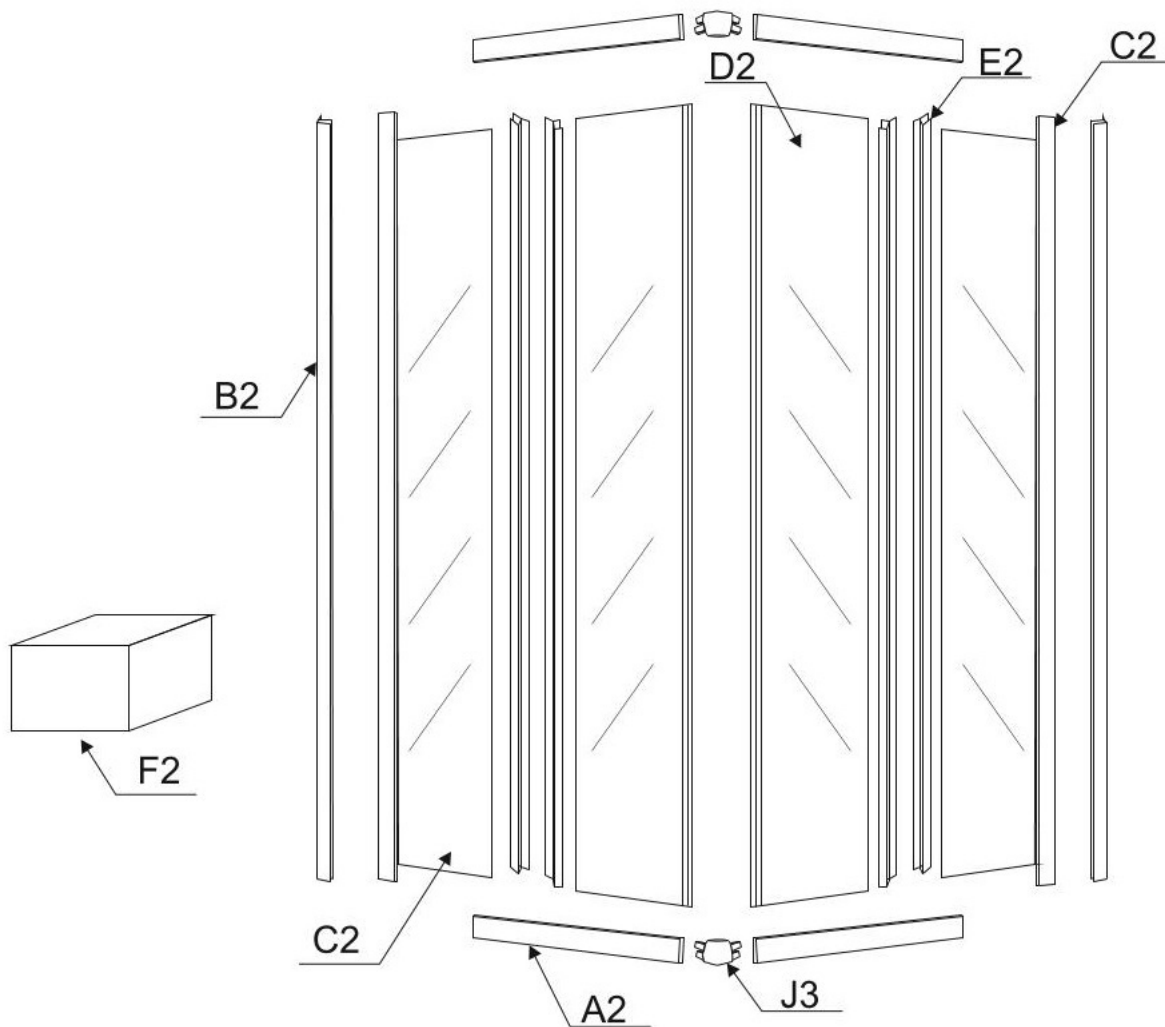


USE INSTRUCTION HANDBOOK

ISTRUZIONI DI MONTAGGIO






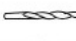



LUNA



F2 Fixing kit includes

Ref	Description	Qty
A2	RAIL	4
B2	WALL PROFILE	2
C2	SIDE PANEL	2
D2	SLIDING DOOR	2
E2	VERTICAL SEAL FOR FIXED GLASS	4
F2	FIXING KIT	1

Ref	Description	Illustration	Qty
A3	Top-wheel		4
B3	Down-wheel		4
C3	u-shaped clip		4
D3	stainless steel screws: 4*40		8
E3	stainless steel screws: 4*25		8
F3	stainless steel screws: 4*12		8
G3	stainless steel screws: 4*10		8
H3	expandable wall plug		8
I3	Drill beat head 3mm		1
J3	plastic angle for track		2

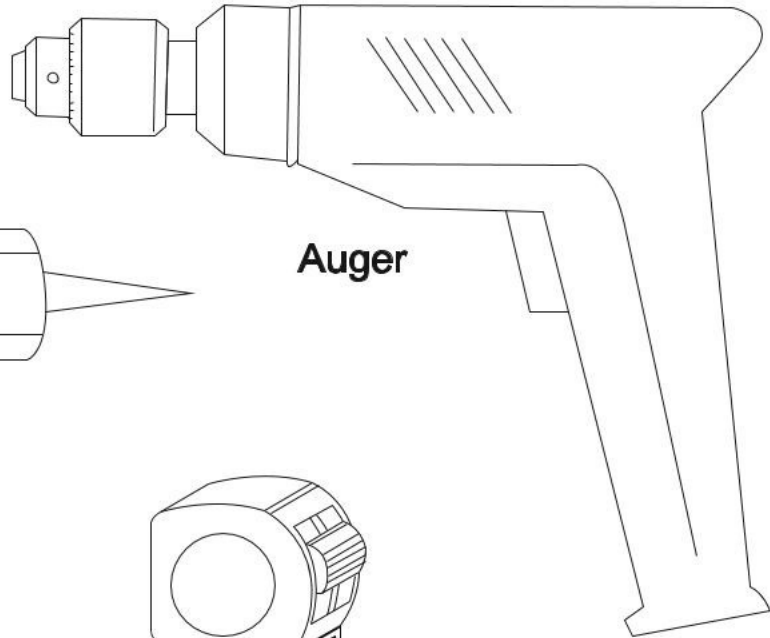
TOOLS REQUIRED(NOT SUPPLIED)

when you're ready to start,make sure that you have the following tools to hand,plenty of space and a clean dry area for assembly.

Two people are needed. Please note:although these instructions are comprehensive,We always recommend that a technically competent installer should undertake installation.

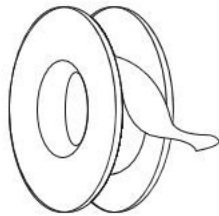
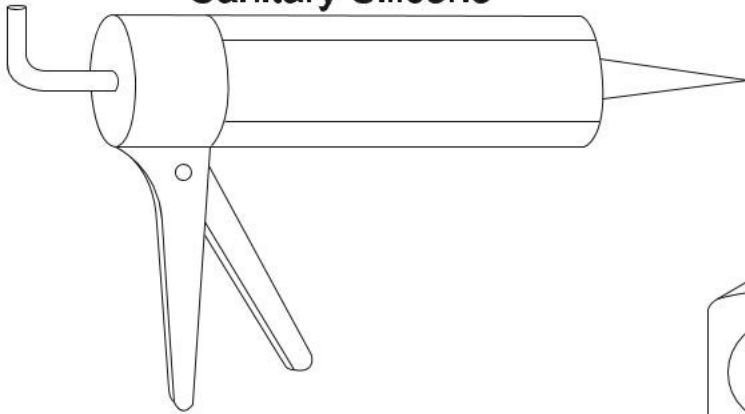


**Drill beat head
6mm**

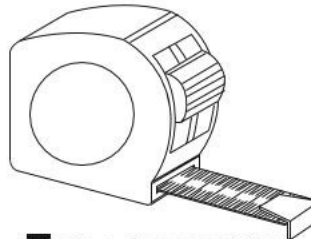


Auger

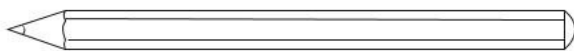
Sanitary Silicone



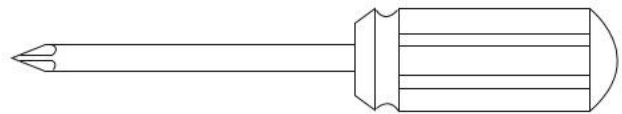
PTFE tape



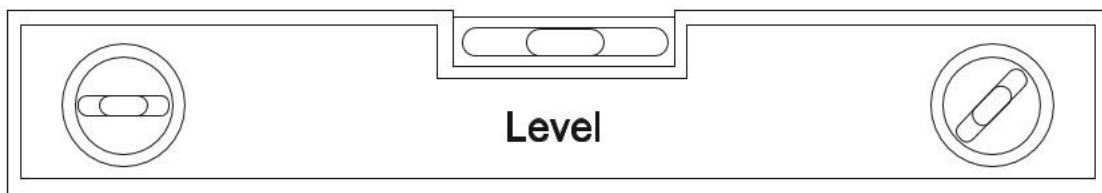
Tape measure



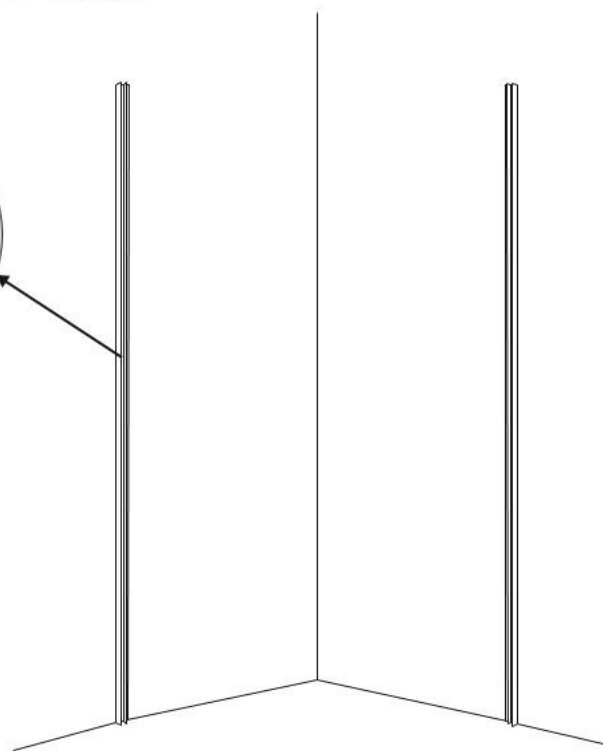
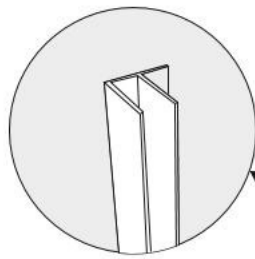
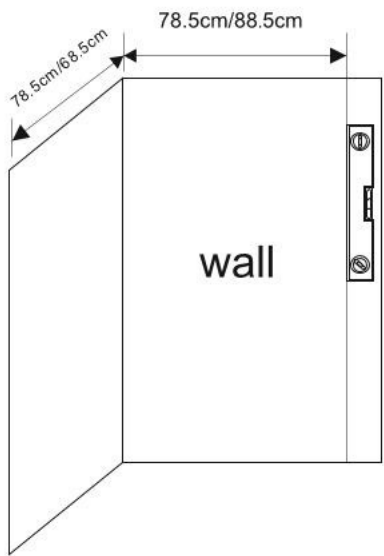
Pencil



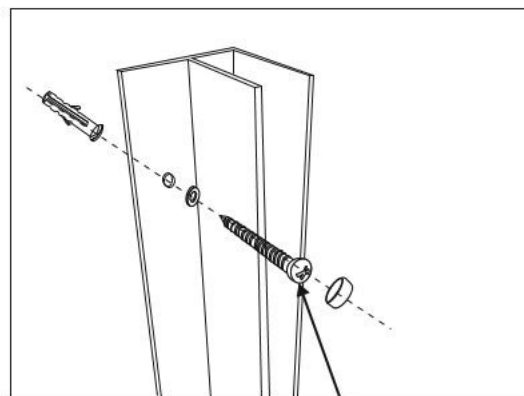
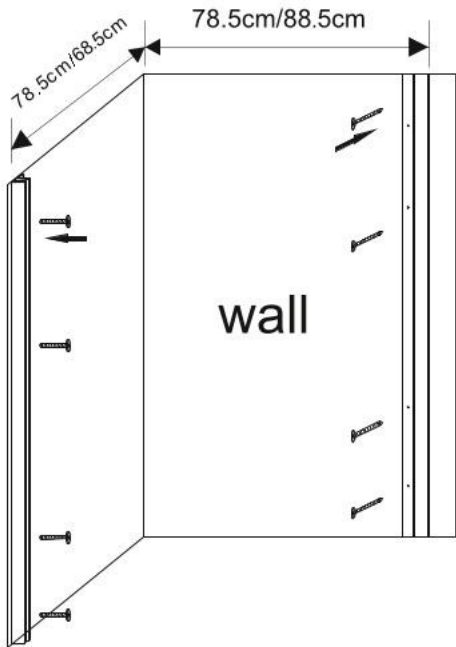
Magnetic crosshead schewdriver



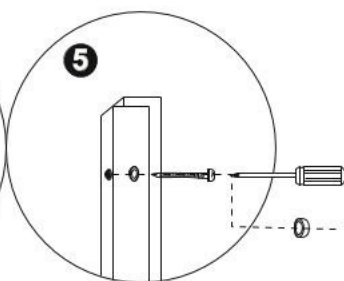
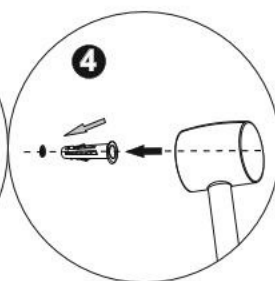
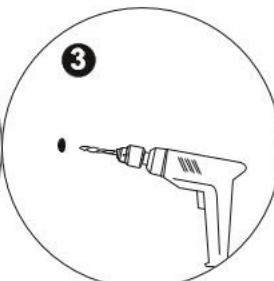
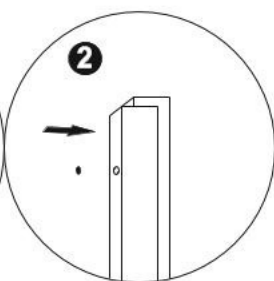
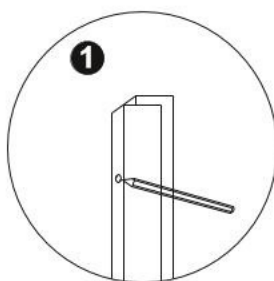
Level



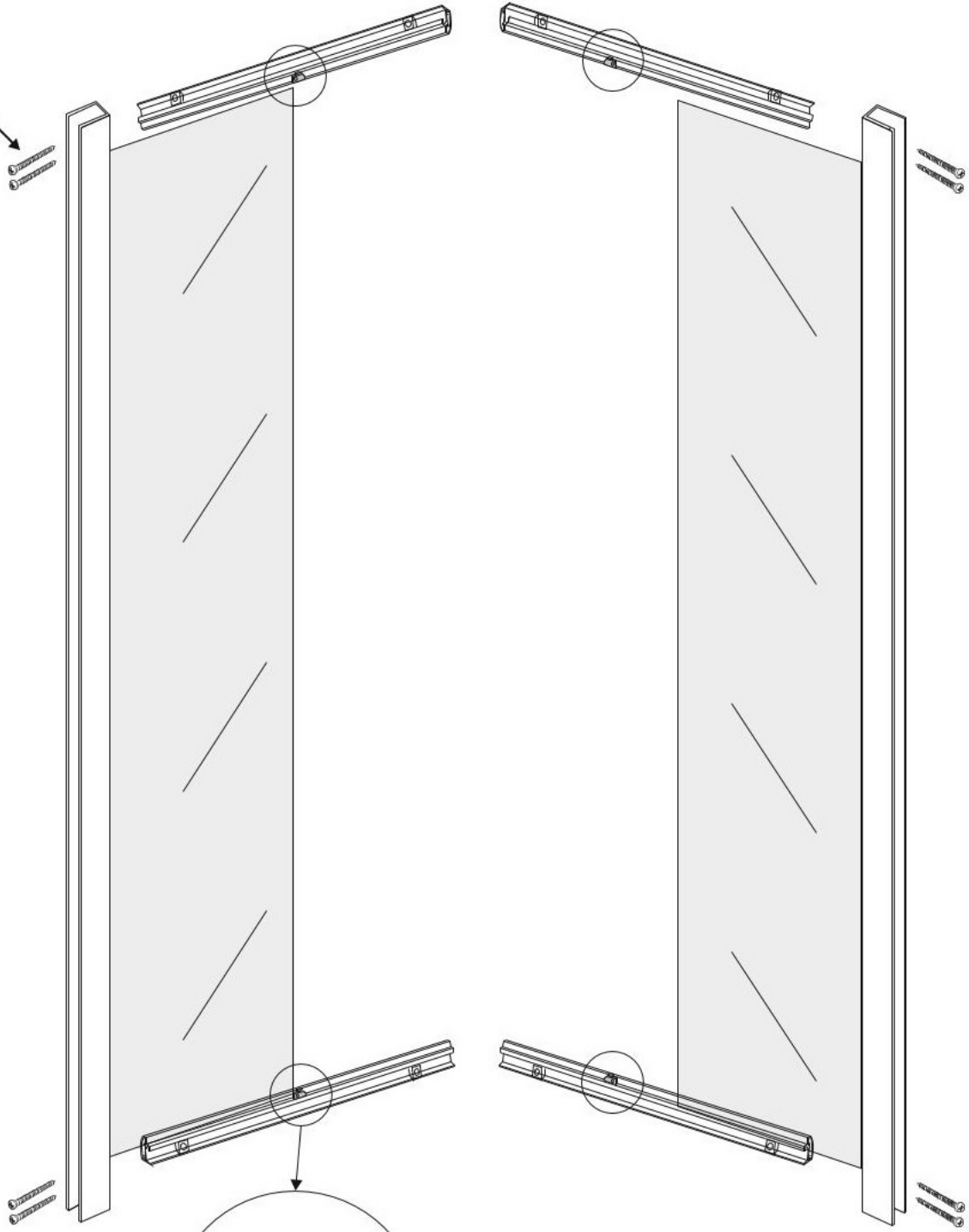
78.5cm for 80*80*185
68.5cm*88.5cm for 70*90*185



4*25 mm
E3

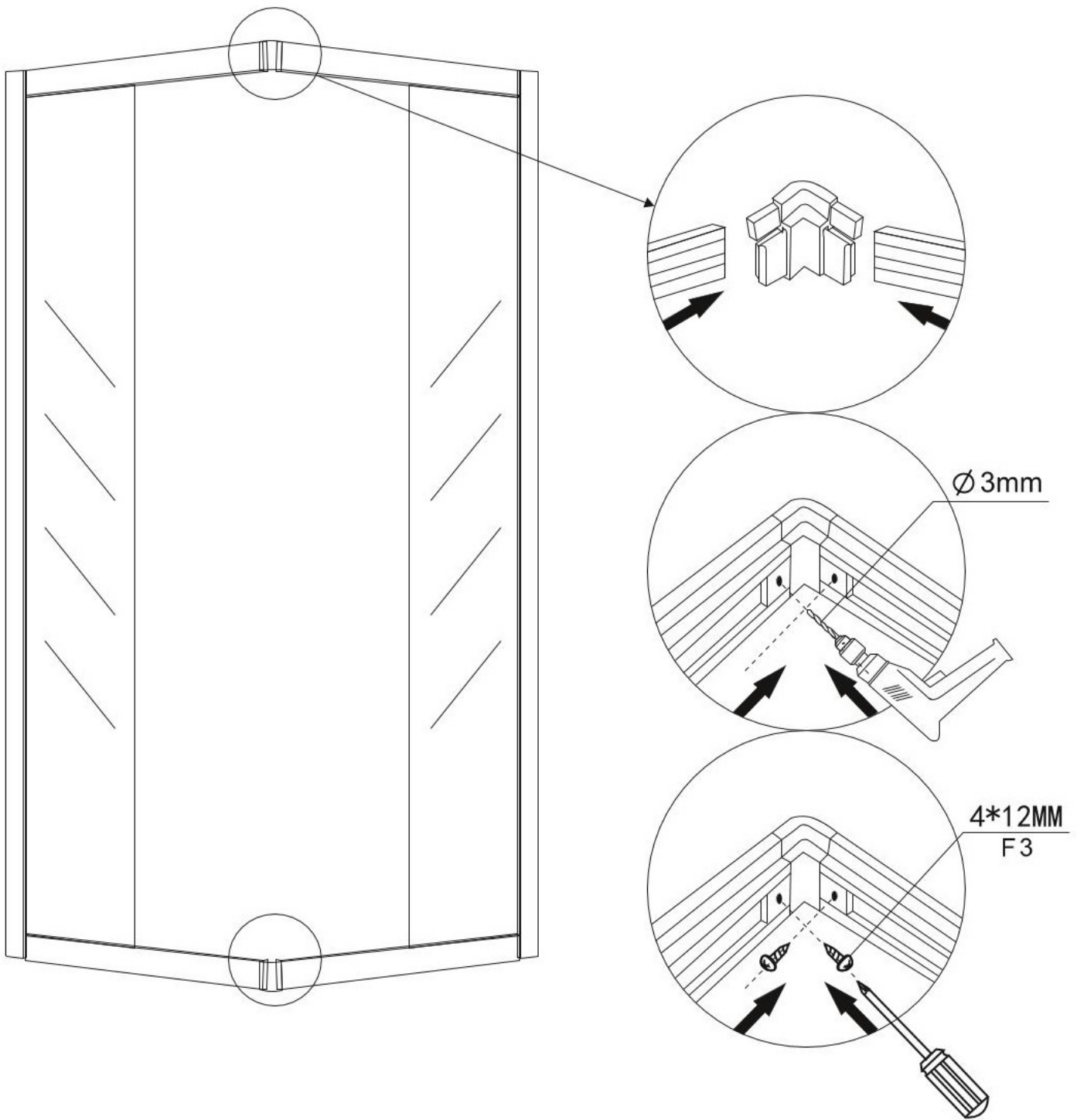


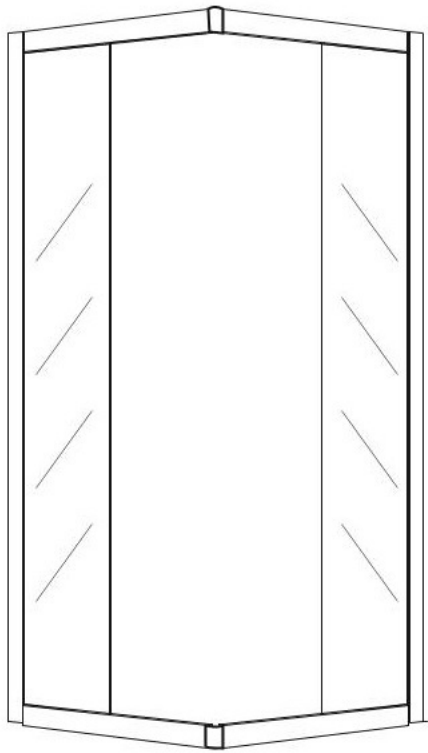
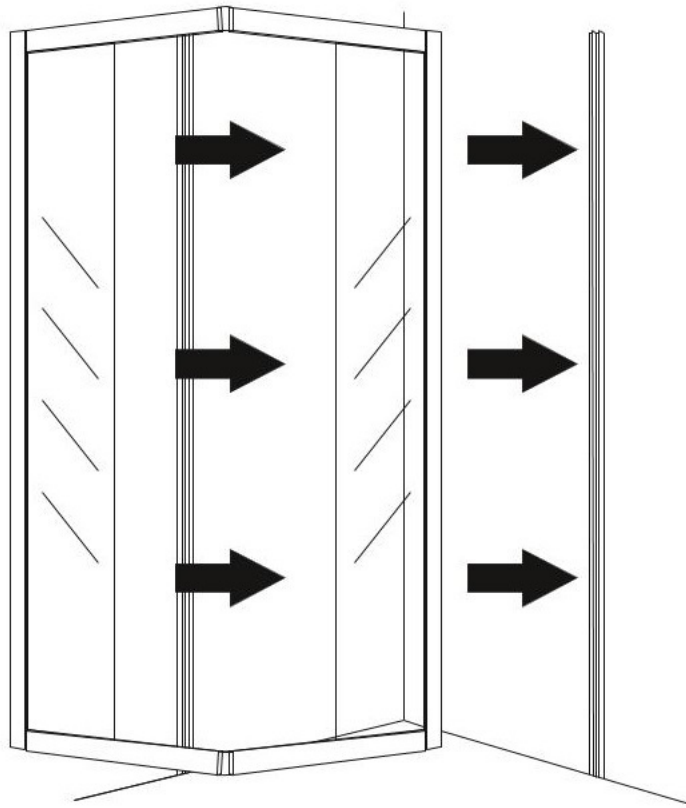
4*40MM
D3

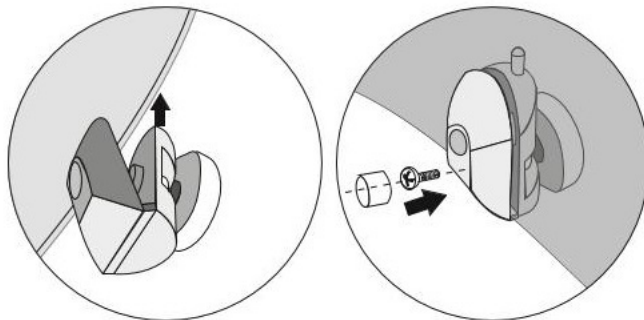
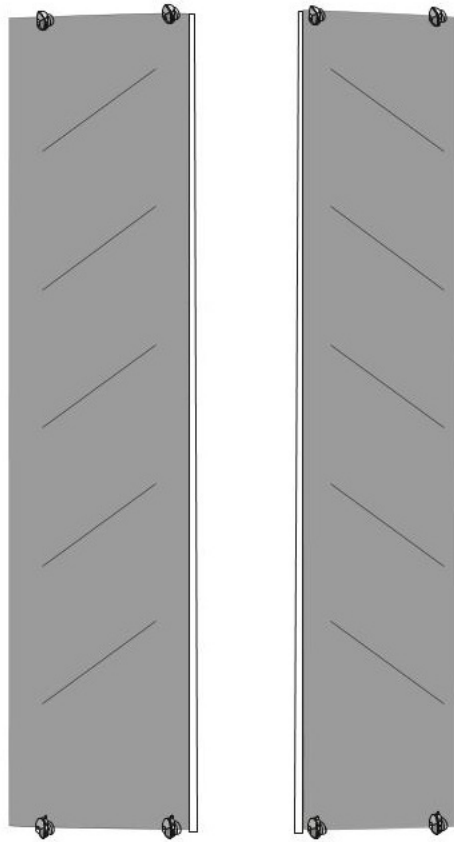
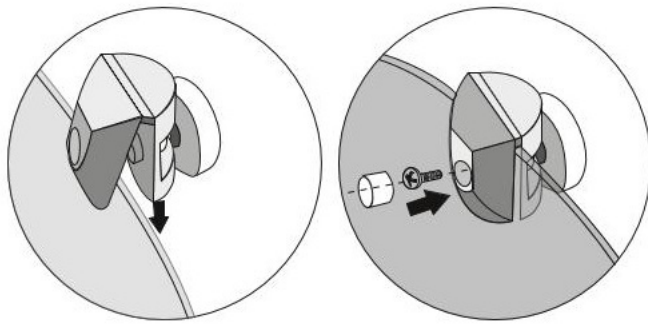


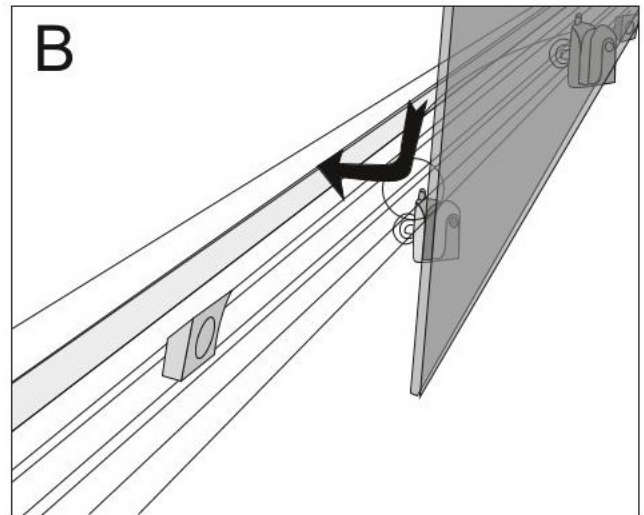
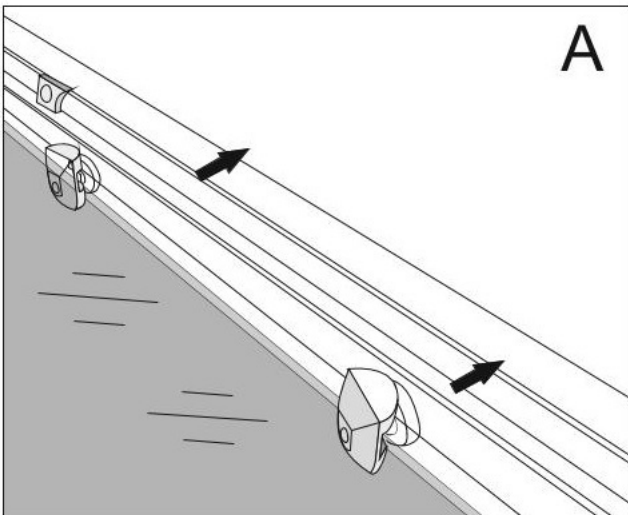
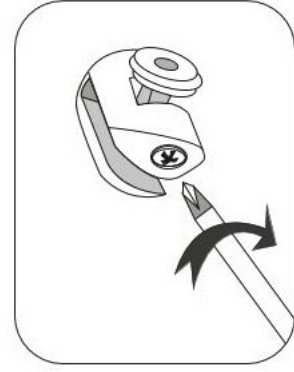
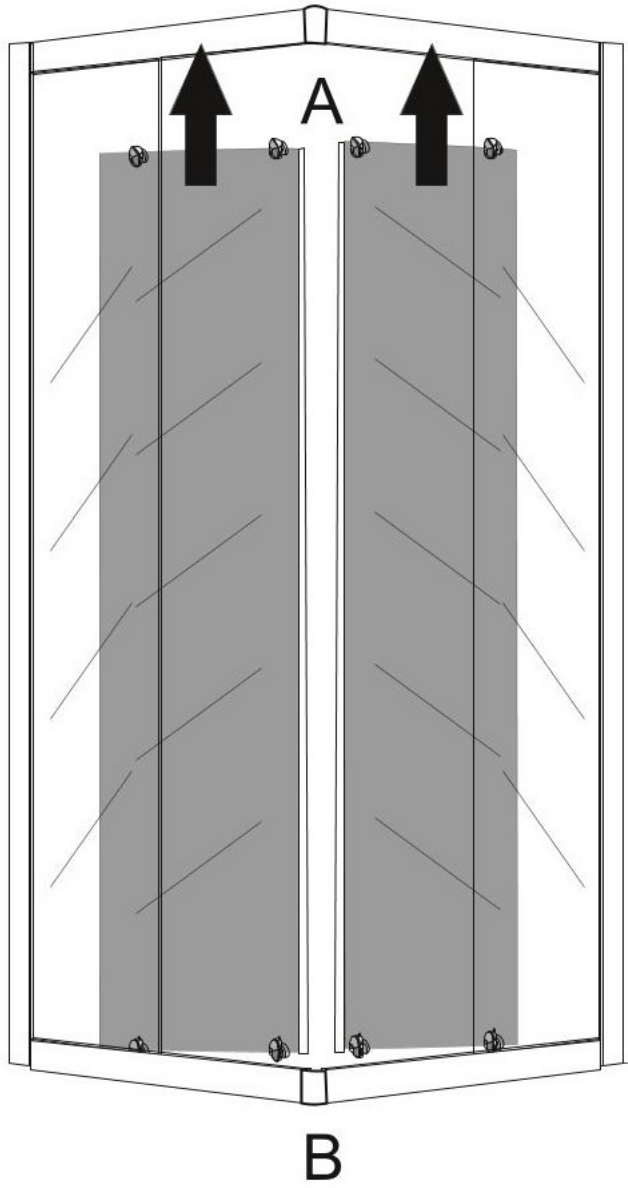
4*12MM
F3

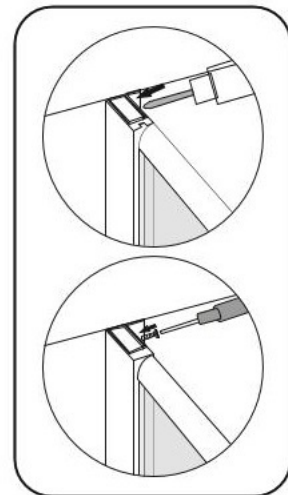
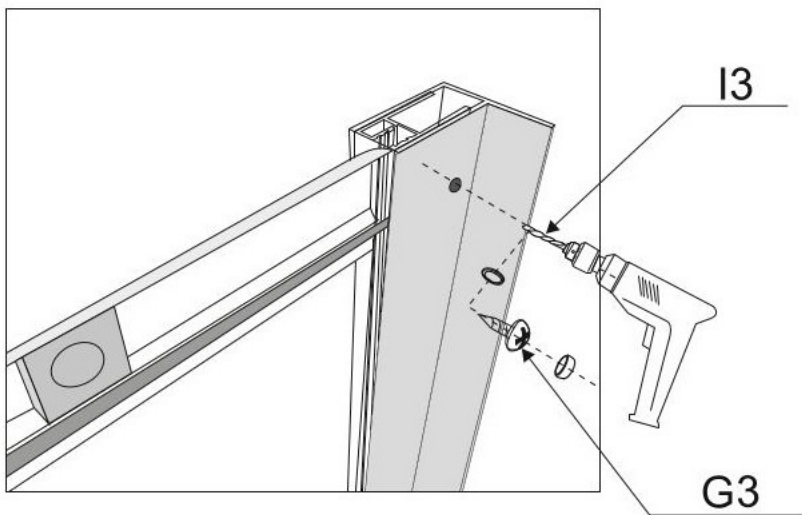
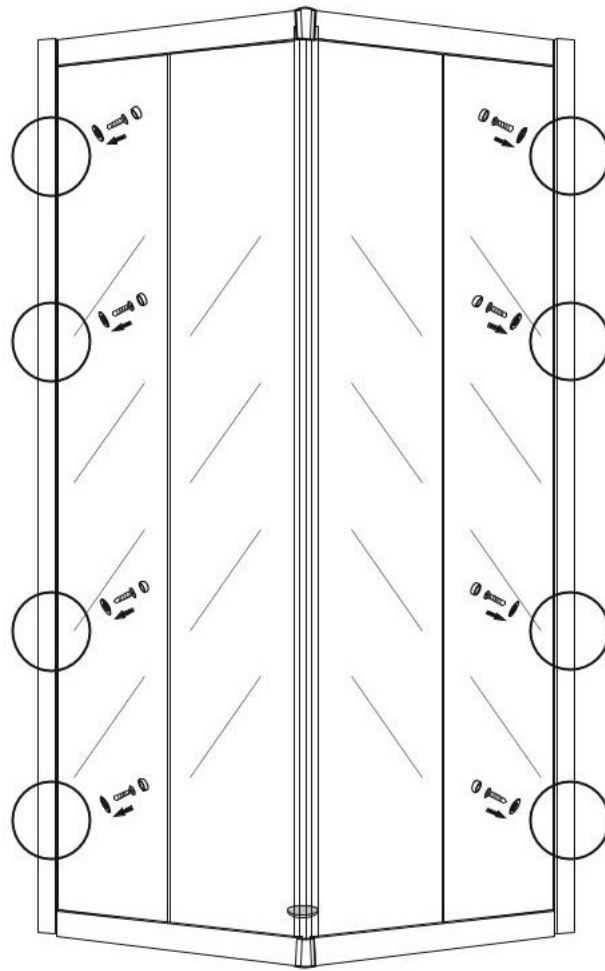


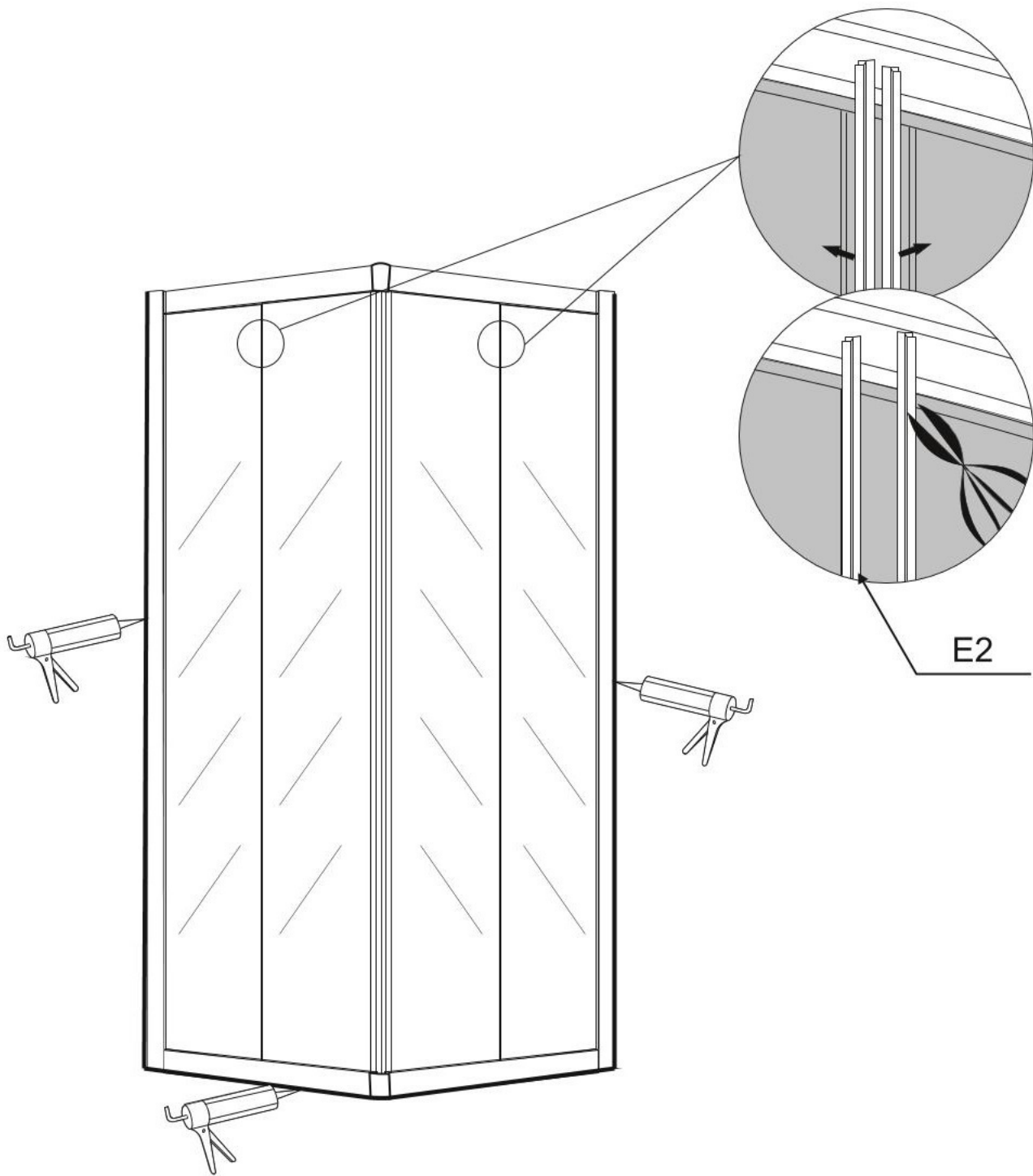












Warning: Don't use the shower enclosure until after at least 24 hours, so that the silica gel can be totally dry.