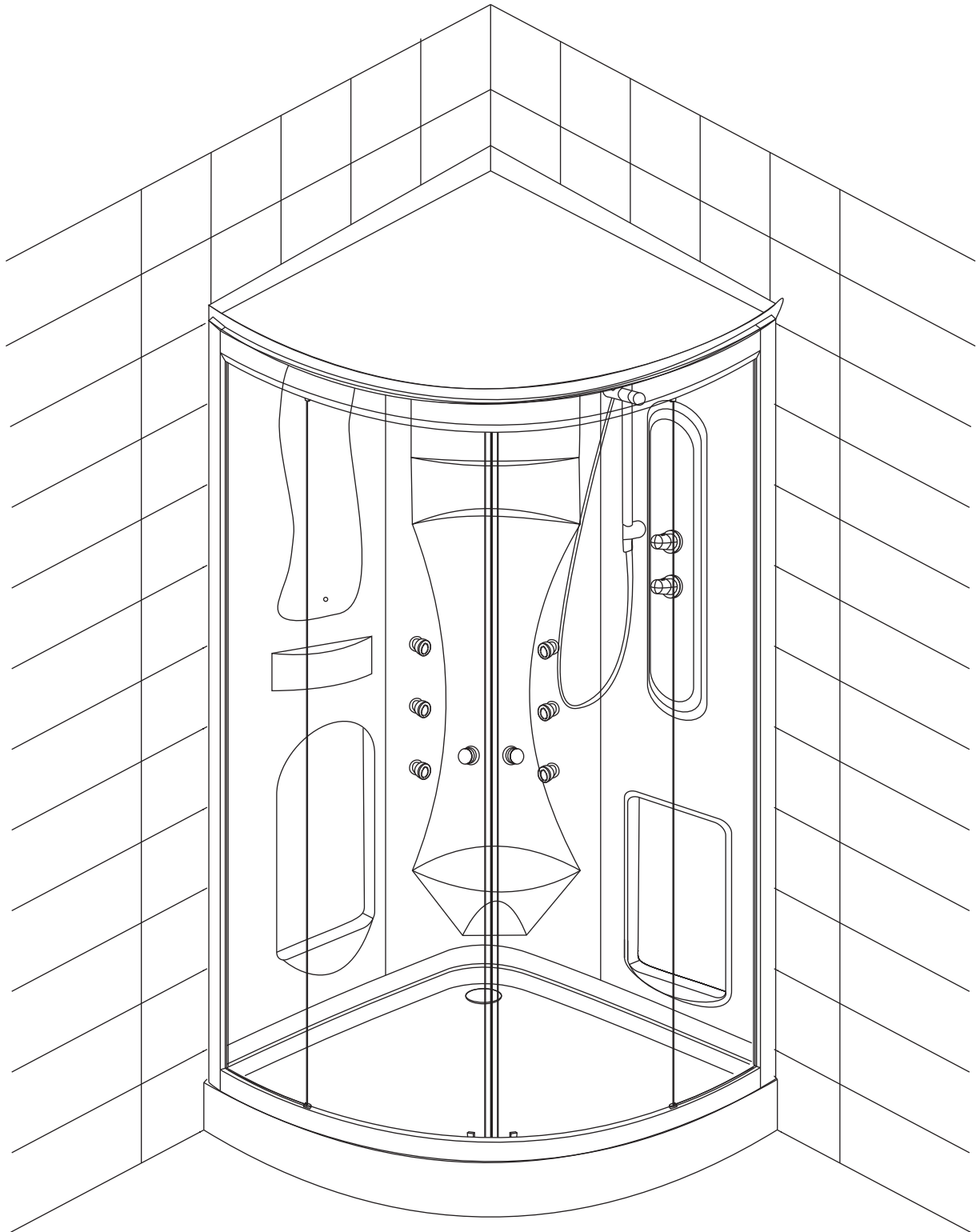


HX-137

Installation instructions

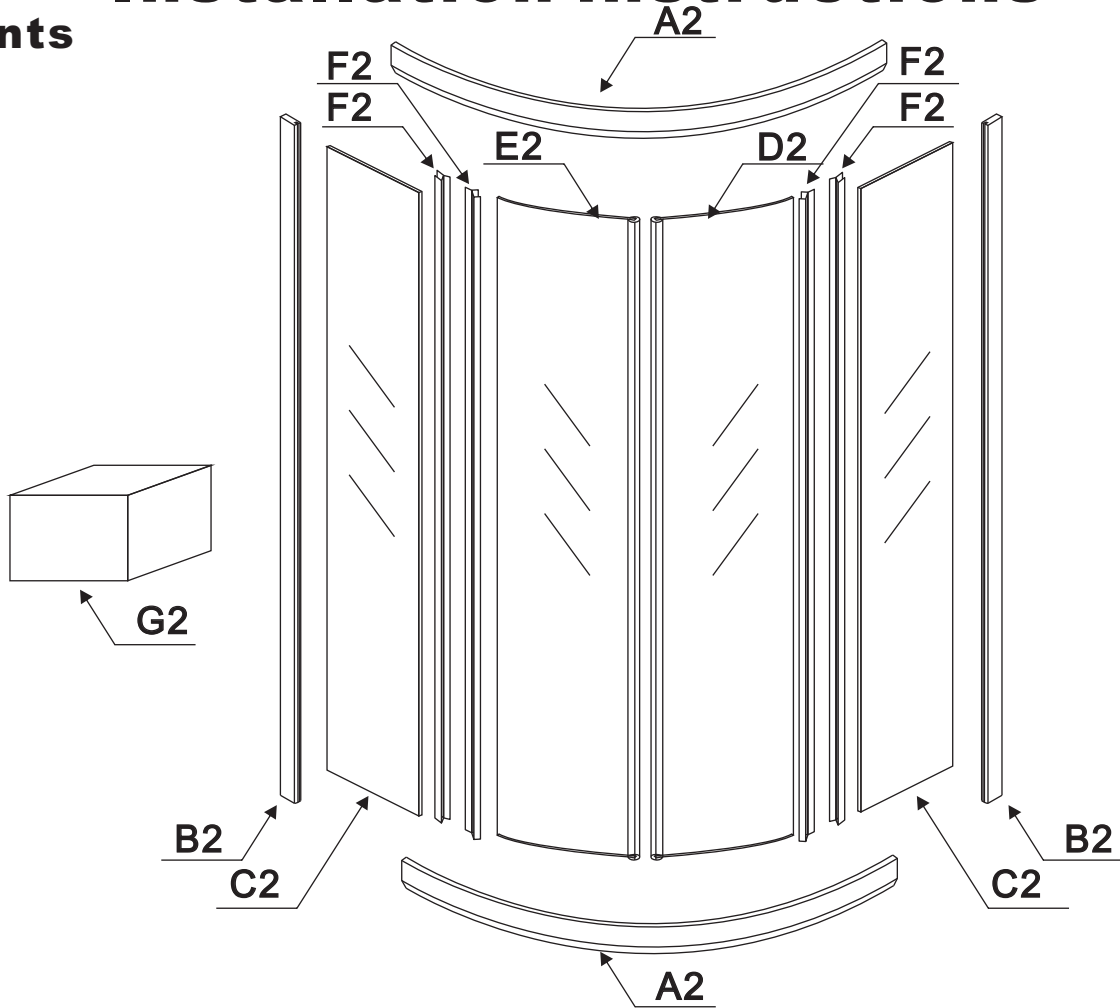


SIZE : 90*90*210 CM

HX-137

Installation instructions

Contents



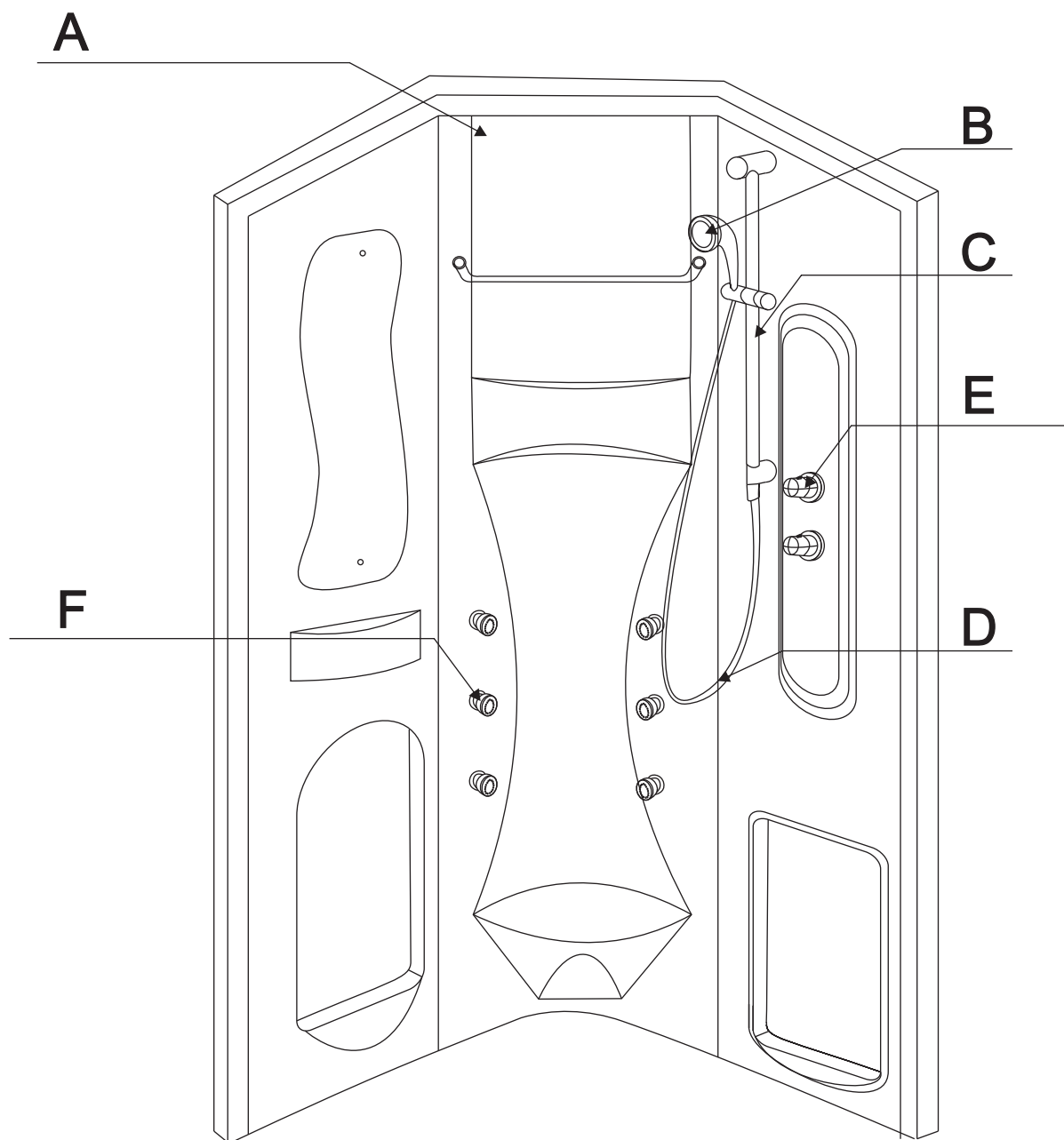
G2 Fixing kit includes

Ref	Description	Qty
A2	ARC PROFILE	2
B2	WALL PROFILE	2
C2	SIDE PANEL	2
D2	RIGHT SLIDINE DOOR	1
E2	LEFT SLIDINE DOOR	1
F2	VERTICAL SEAL FOR FIXED GLASS	4
G2	FIXING KIT	1

Ref	Description	Illustration	Qty
A3	handle		4
B3	pulley		2
C3	u-shaped clip		4
D3	hook		2
E3	stainless steel screws: 4*20		2
F3	blue washers		2
G3	stainless steel screws: 6*25		6
H3	washers		24
I3	bolts		12
J3	stainless steel screws: 3. 6*12		30
K3	stainless steel screws: 3. 6*42		8
L3	Drill beat head 3mm		1
M3	decorate cap		4
N3	stainless steel screws: 6*16		6

HX-137

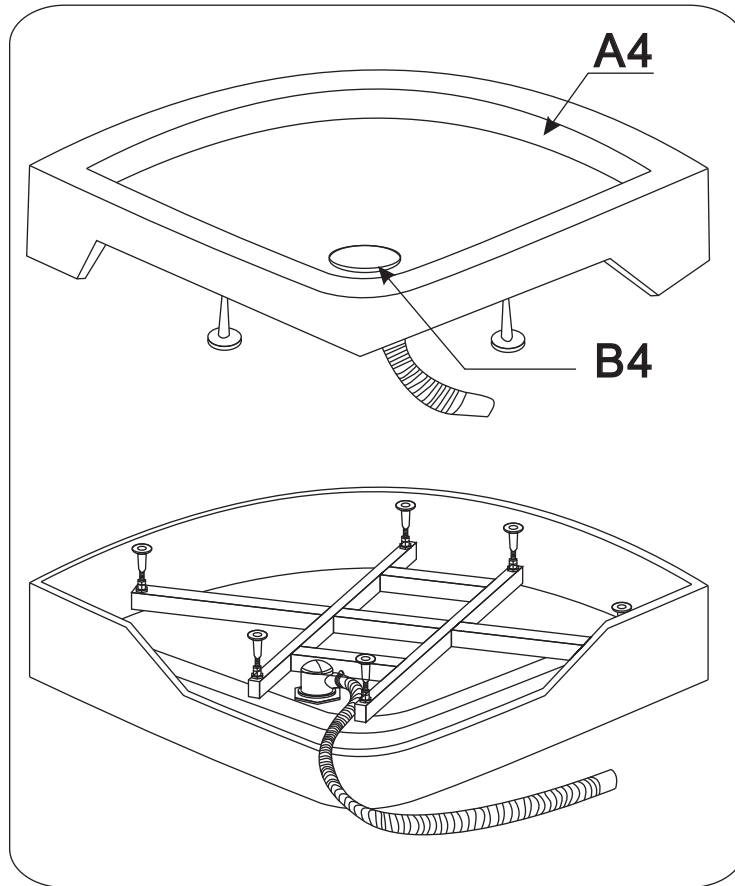
Installation instructions



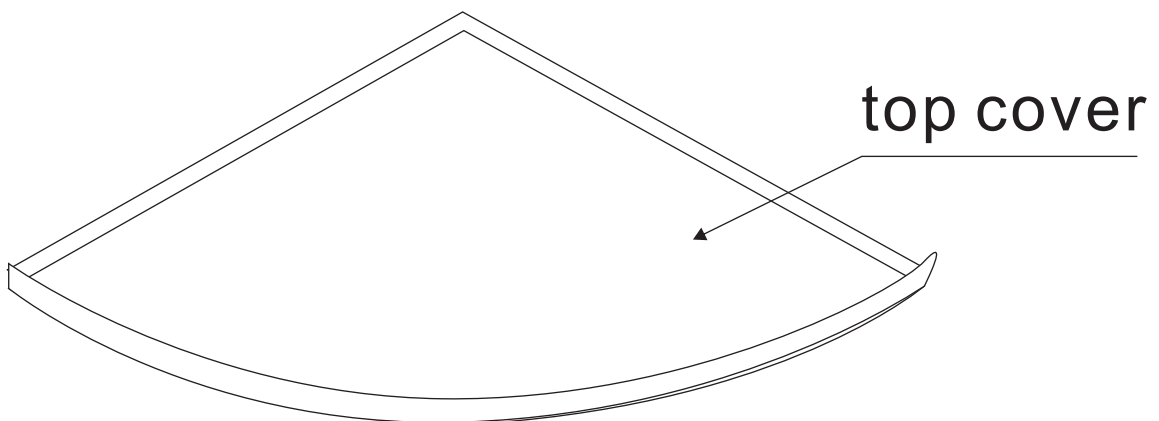
Ref	Description	Qty
A	HIDRO WALL	1
B	SHOWER HEAD	1
C	RISER RAIL	1
D	CHROME EFFECT SHOWER HOSE	1
E	THERMOSTATIC MIXER VALVE	3
F	MASSAGE JET	6

HX-137

Installation instructions



Ref	Description	Qty
A4	SHOWER TRAY 900X900MM HEIGHT 160MM	1
B4	PULL OUT WASTE 58MM	1



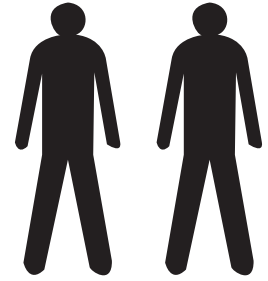
HX-137

Installation instructions

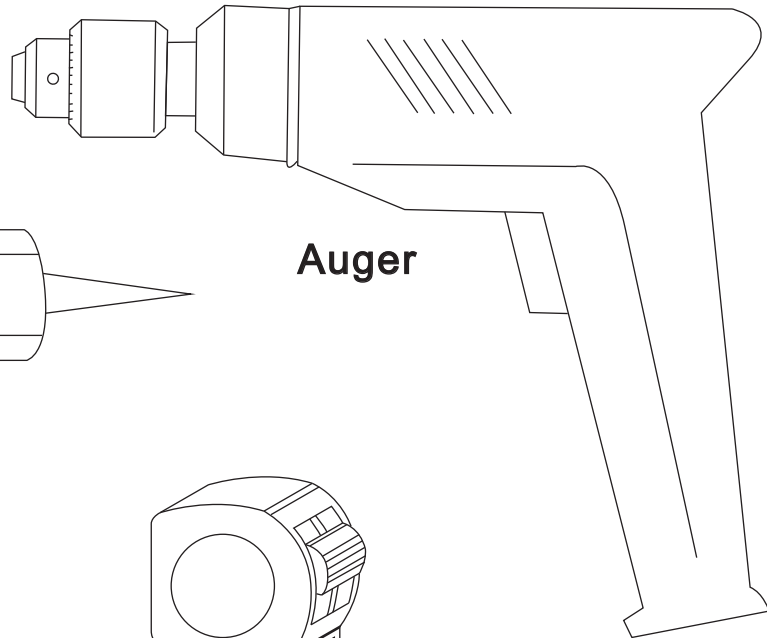
TOOLS REQUIRED(NOT SUPPLIED)

when you're ready to start,make sure that you have the following tools to hand,plenty of space and a clean dry area for assembly.

Two people are needed. Please note:although these instructions are comprehensive,We always recommend that a technically competent installer should undertake installation.

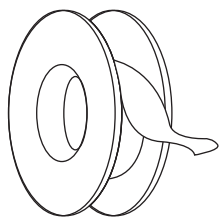
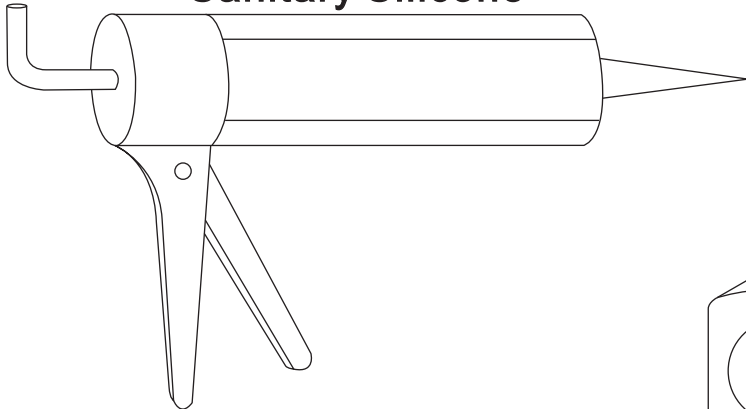


Drill beat head
4mm

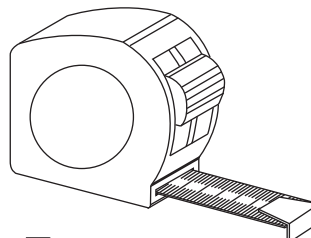


Auger

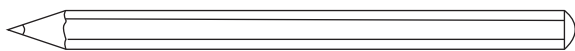
Sanitary Silicone



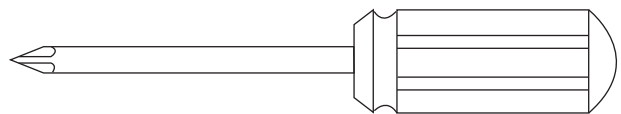
PTFE tape



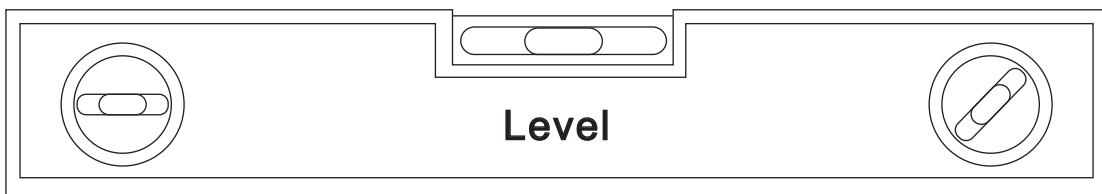
Tape measure



Pencil



Magnetic crosshead schrewdriver

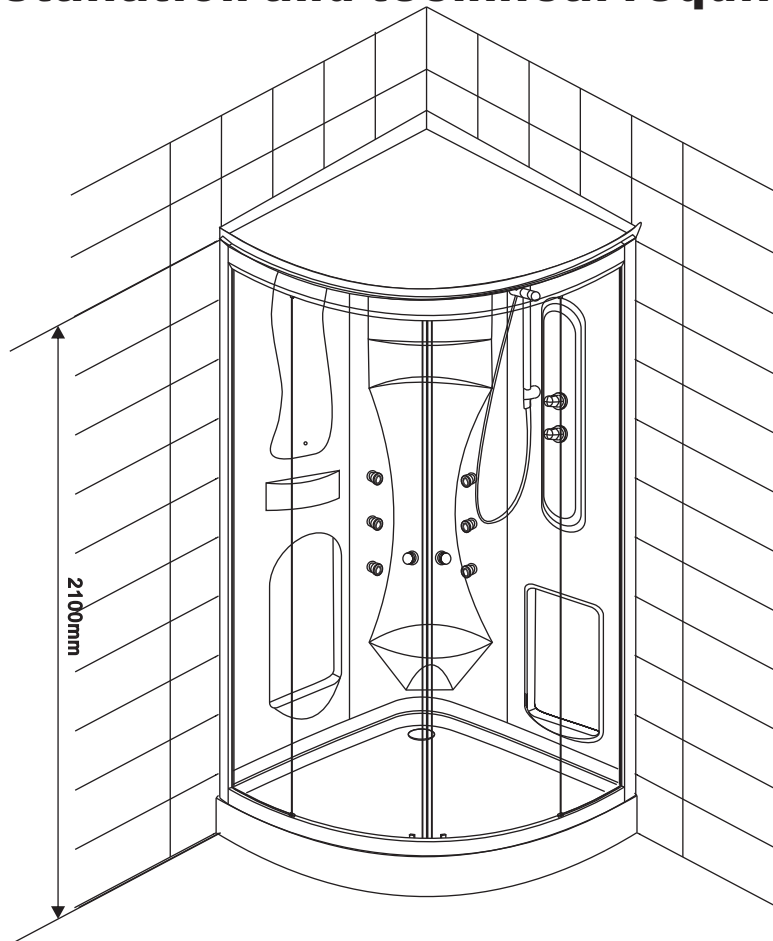


Level

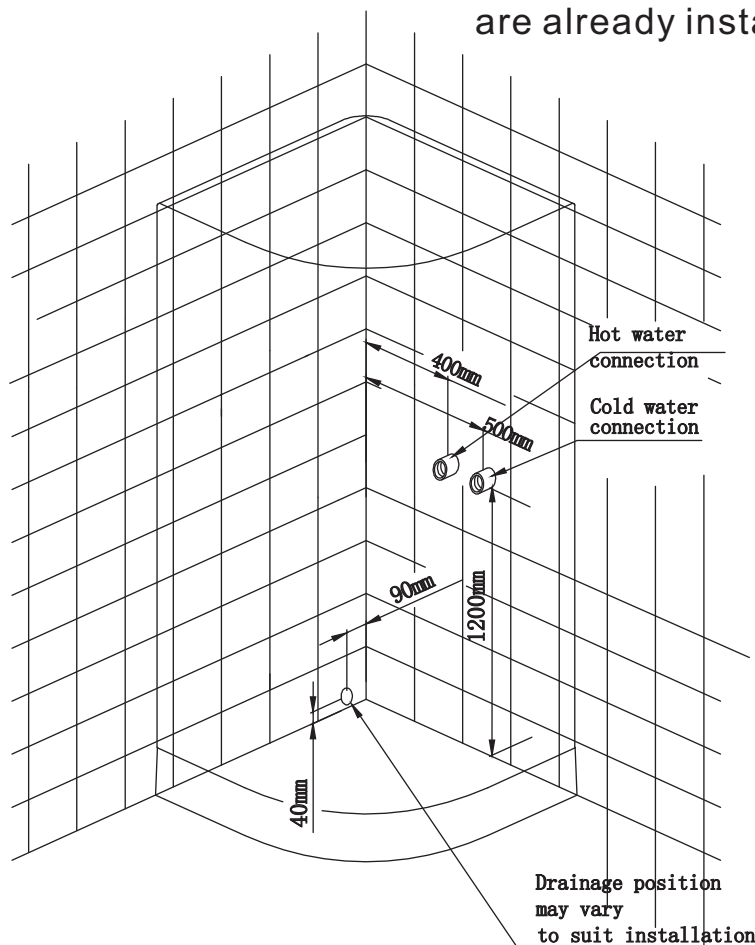
HX-137

Installation instructions

Pre-installation and technical requirements



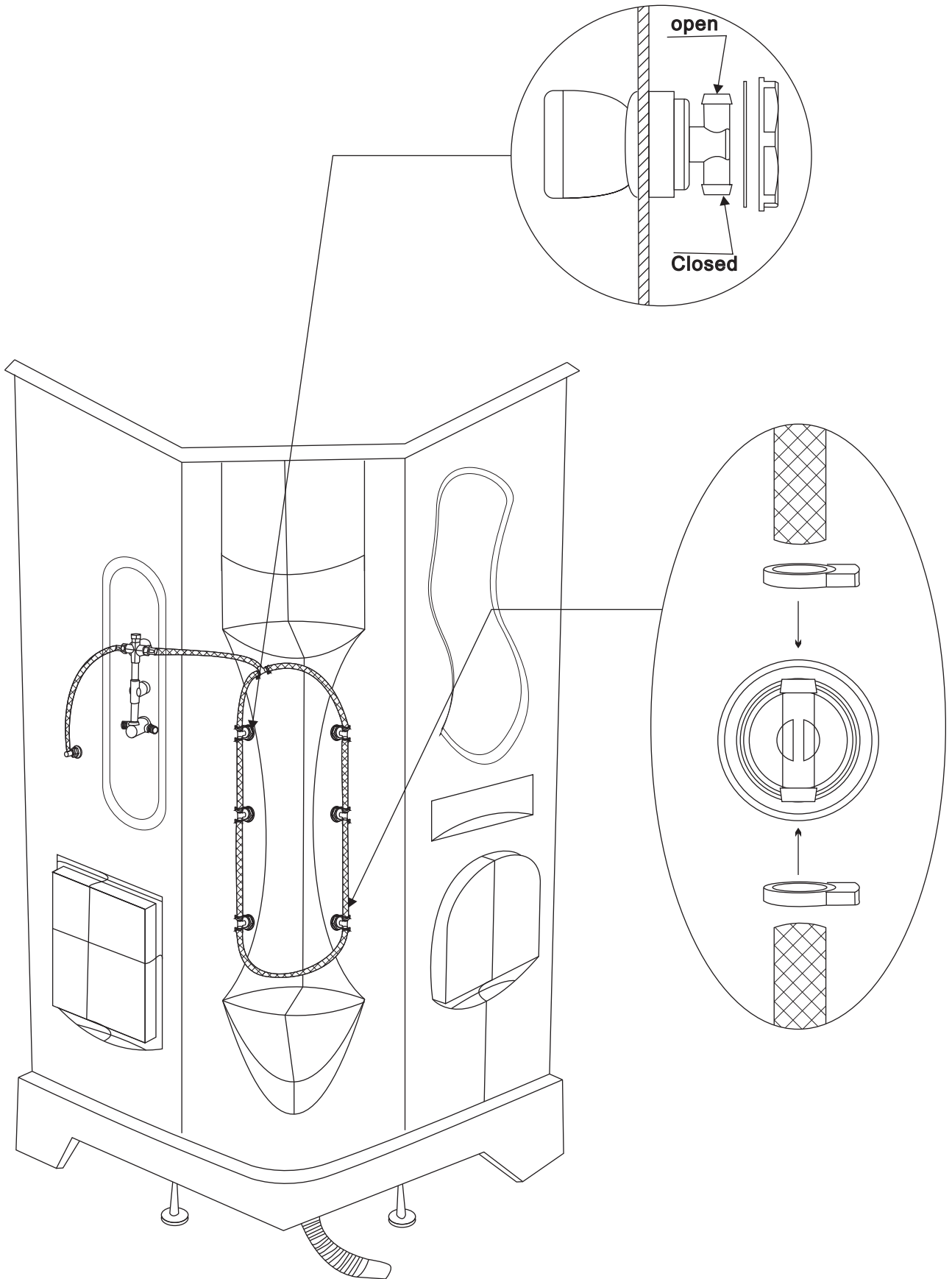
all the hoses and joints
are already installed before shipment



HX-137

Installation instructions

UNIT DISASSEMBLE CHART



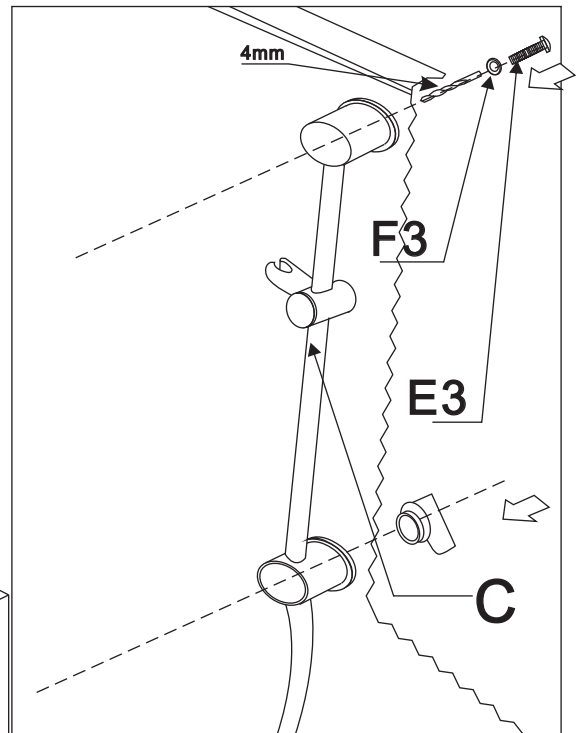
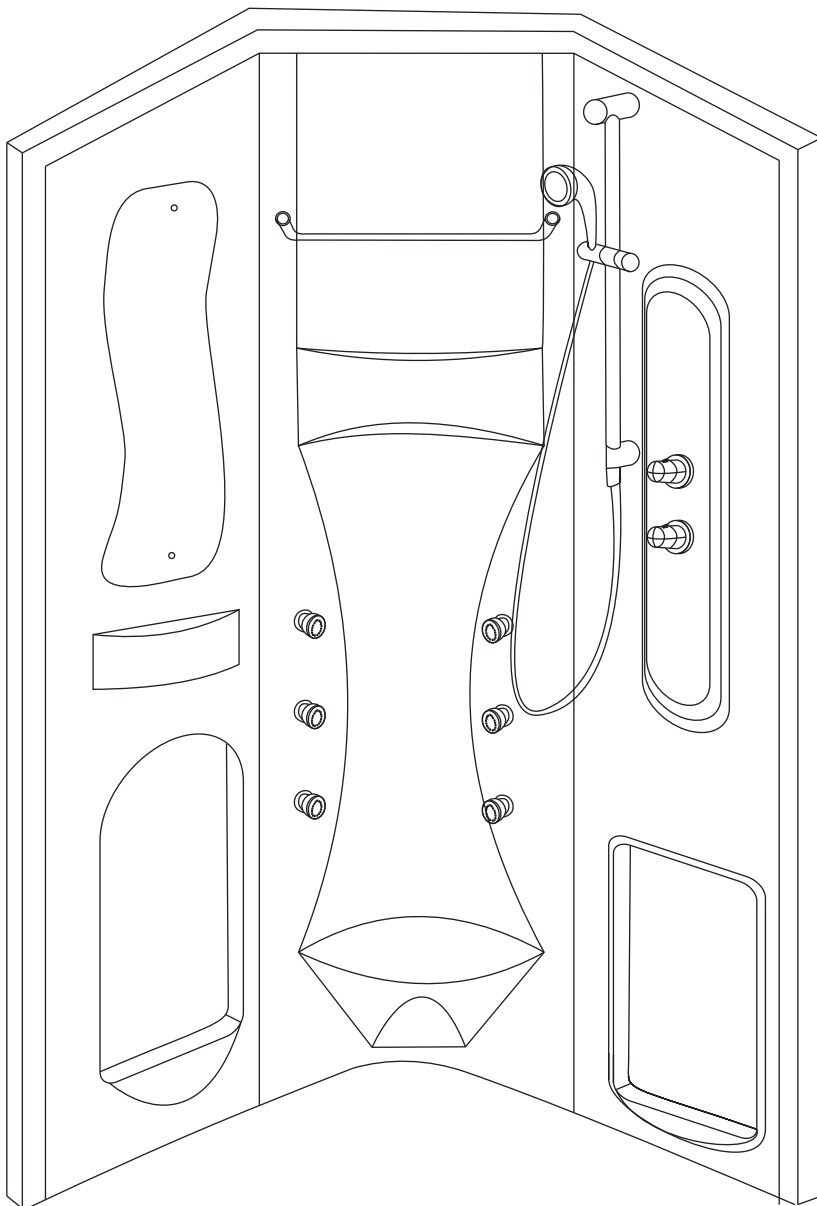
HX-137

Installation instructions

Riser rail installations

-The riser rail can be fitted to either the left or right hand wall.

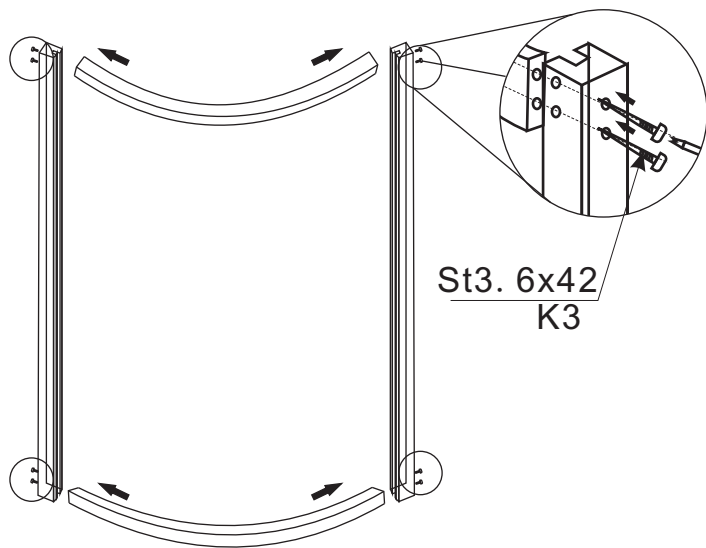
Holding the riser rail(C) in desired position, drill through the bolt location holes into the acrylic wall with a $\varnothing 4\text{mm}$ drill bit. Insert the 2 stainless steel screws(E3) and blue washers(F3) through the holes and connect the riser rail the wall



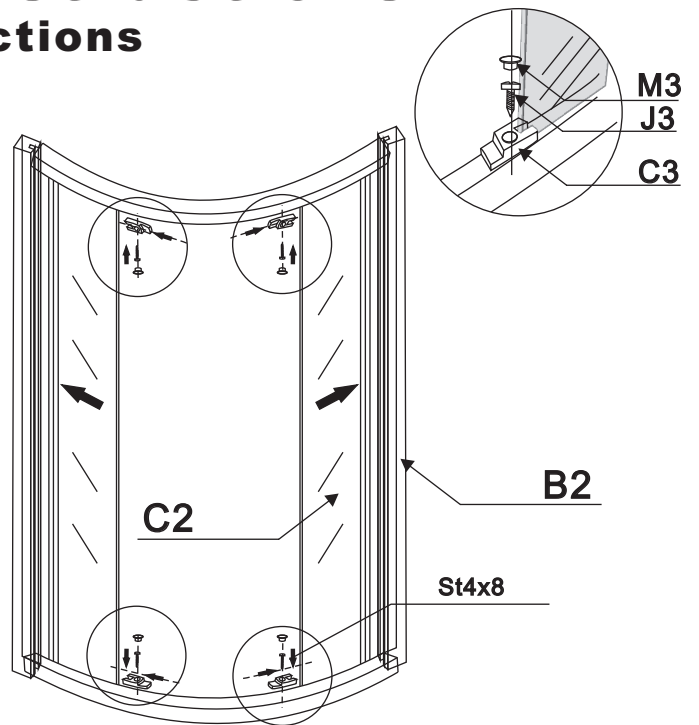
HX-137

Installation instructions

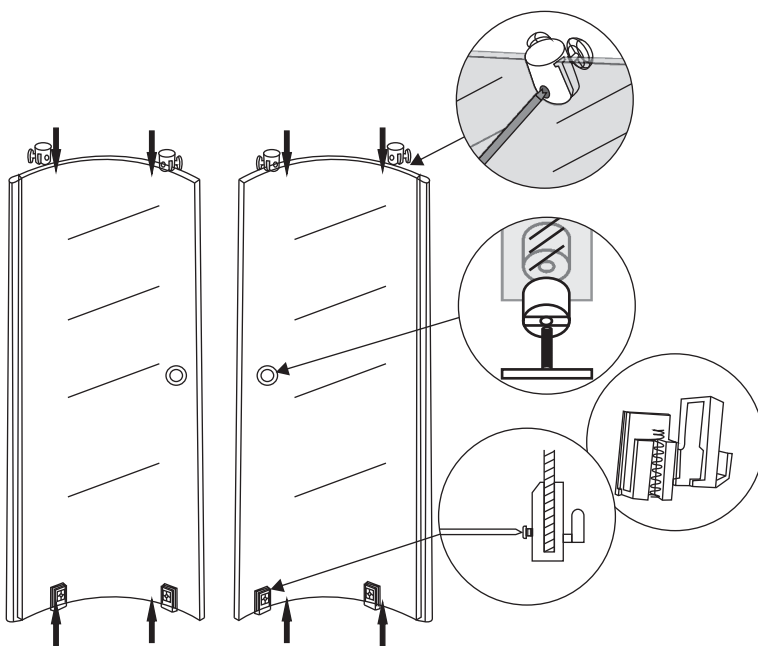
Enclosure installation Instructions



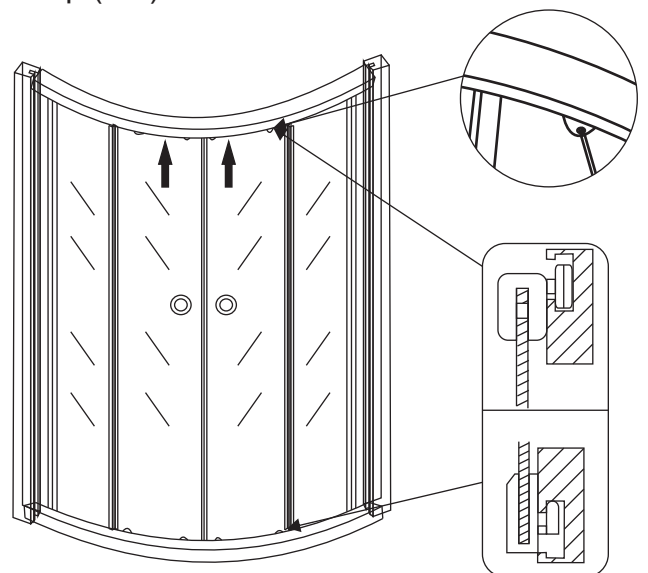
1. Secure the arc profiles(A2) with self tapping screws(K3) in the wall profiles(B2)



2. Insert the side panels (C2) into the wall profiles(B2), and screw the side panels (C2) with stainless steel screws (J3) into U-shape clip(C3) on the arc profiles(A2), then insert decorate cap(M3) into U-shape clip (C3)



3. Use the bolts(which had included in the pulley and hook) to fix the pulley(B3) and the hook(D3) to the outside of the sliding doors(D2)

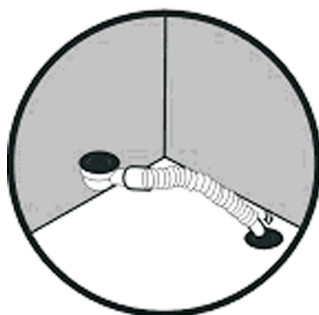
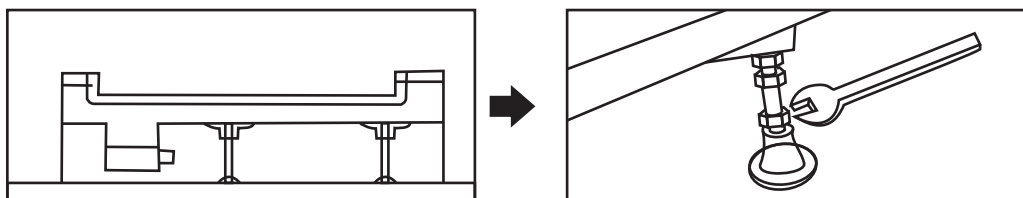
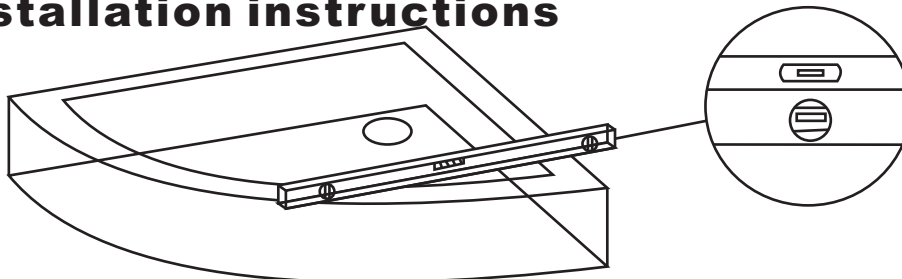


4. Use the another bolts to fix the pulley(B3) Insert the right slidine door(D2) and left slidine door(E2) into the arc profile(A2)

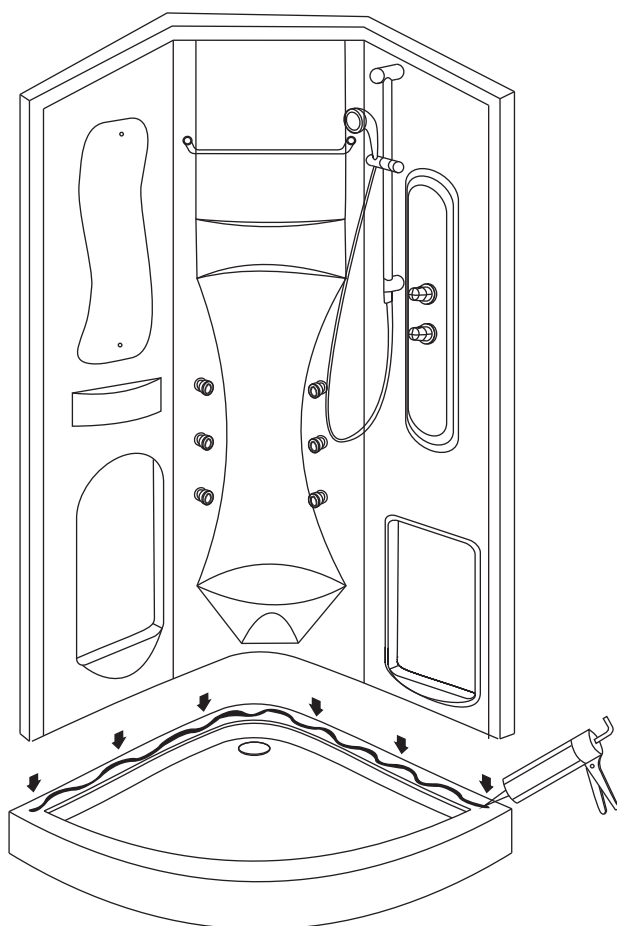
HX-137

Installation instructions

Further Installation instructions



Lift the rear part of bottom basin, and then insert one end of the pipe into the drainage hole

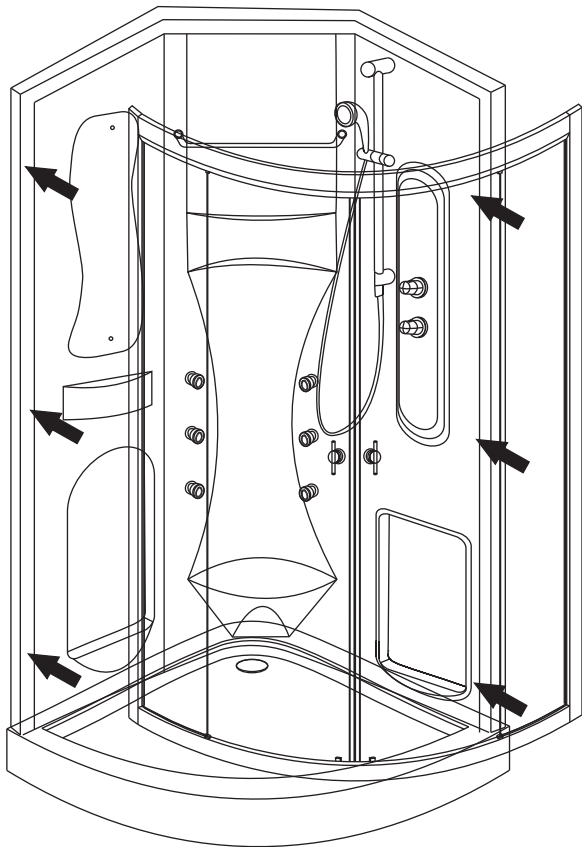


Apply a line of silicone (page 10) to the back of the shower tray and position the acrylic wall over it as shown in the picture.

HX-137

Installation instructions

Fixing the shower cabins

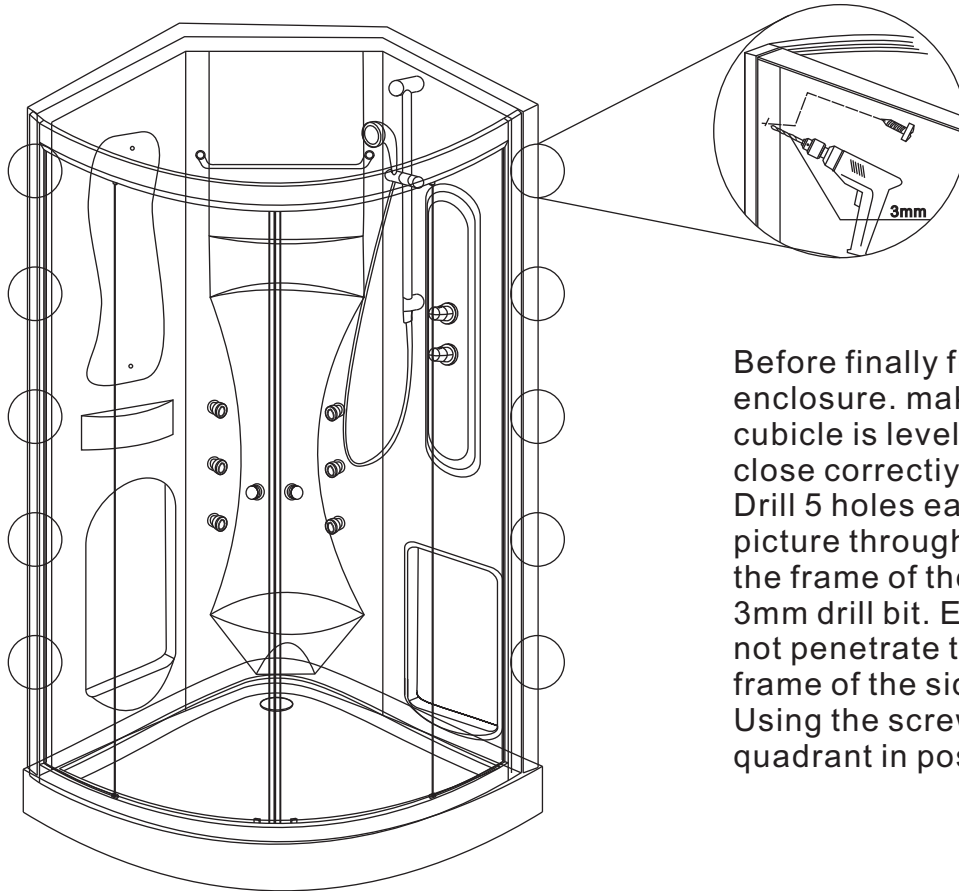


Apply Sanitary Silicone Only.as
Shown Above To The Joints And
Exterior Of The Cabin.do Not
Apply Silicone Sealant To The
Inside Of The Enclosure.

HX-137

Installation instructions

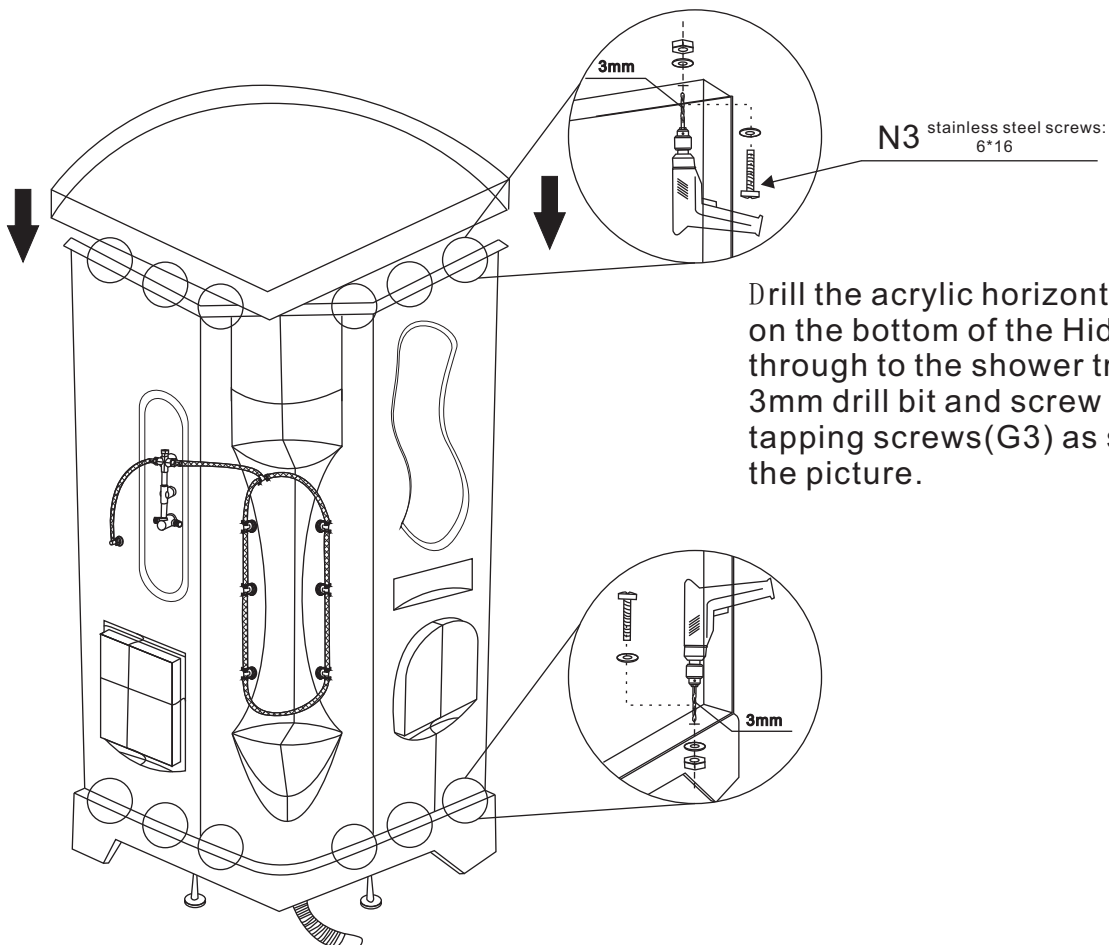
Fixing the shower cabins



Before finally fixing the quadrant enclosure, make sure that the cubicle is level and that the doors close correctly.

Drill 5 holes each side as shown in picture through the wall profile into the frame of the side panel using a 3mm drill bit. Ensure that you do not penetrate the outer skin of the frame of the side panel.

Using the screws(L3), finally fix the quadrant in position.

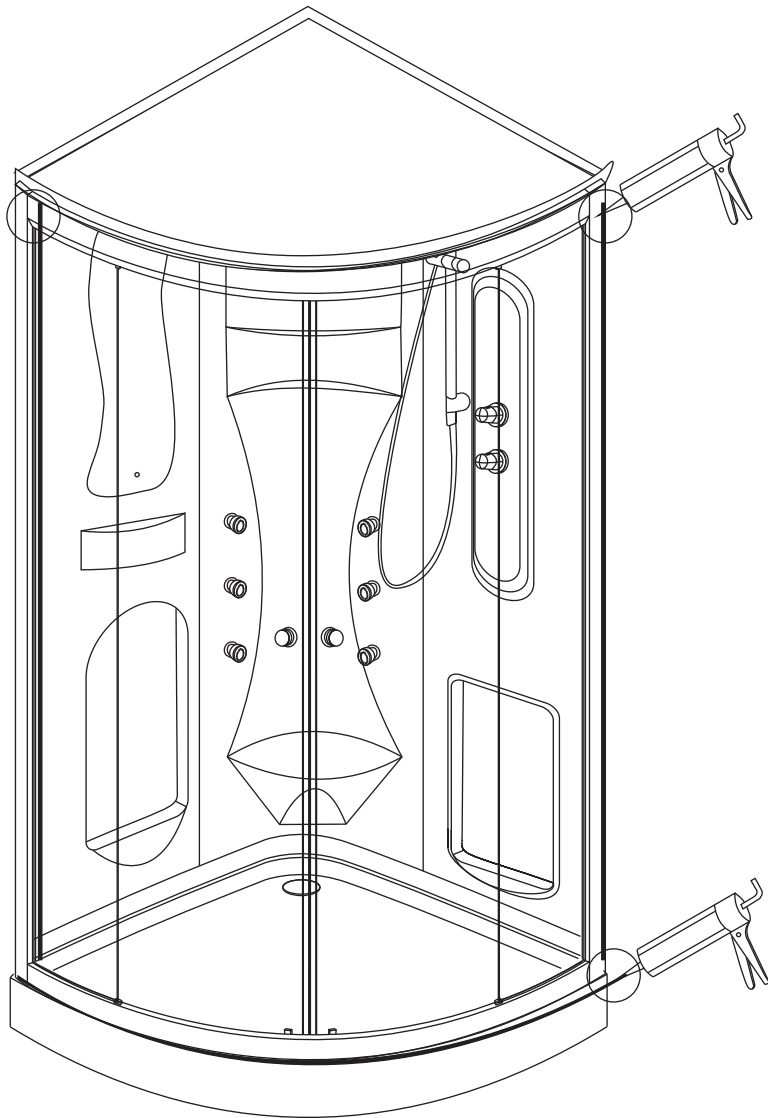


Drill the acrylic horizontal returns on the bottom of the Hidro walls through to the shower tray with a 3mm drill bit and screw with 6 self tapping screws(G3) as shown in the picture.

HX-137

Installation instructions

Fixing the shower cabins



Apply Sanitary Silicone Only.as
Shown Above To The Joints And
Exterior Of The Cabin.do Not
Apply Silicone Sealant To The
Inside Of The Enclosure.