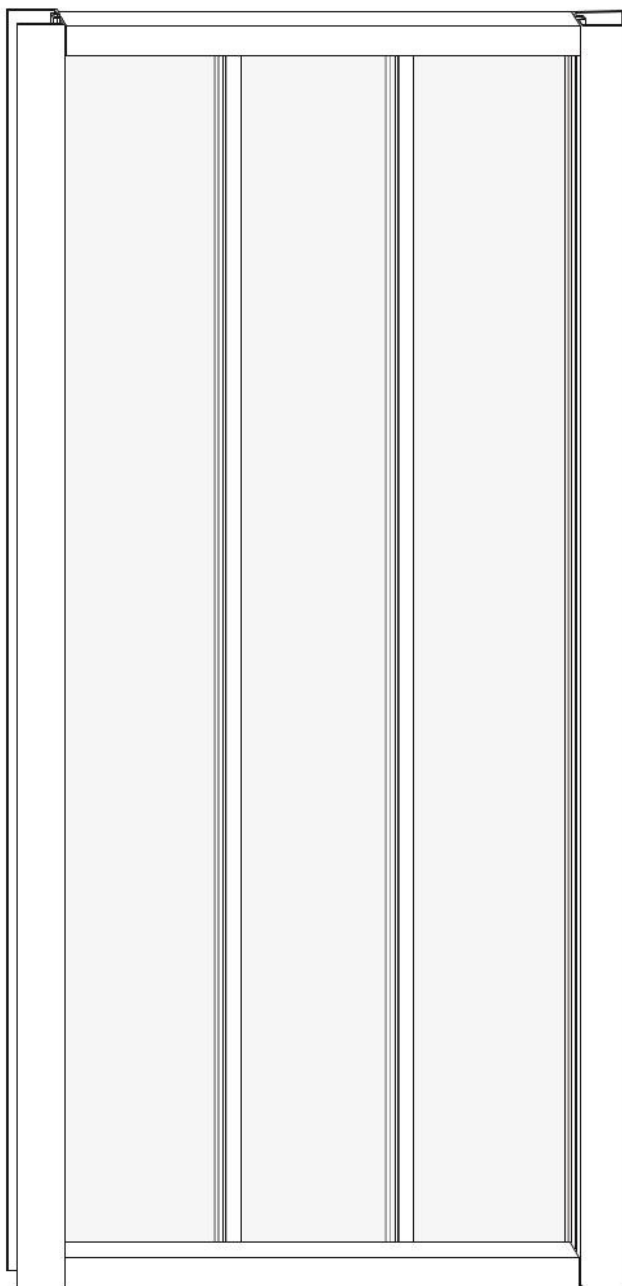


# USE INSTRUCTION HANDBOOK

## ISTRUZIONI DI MONTAGGIO



### PORTA DOCCIA NICCHIA STAR

**SIZE: 80\*185 CM**

**90\*185 CM**

**100\*185 CM**

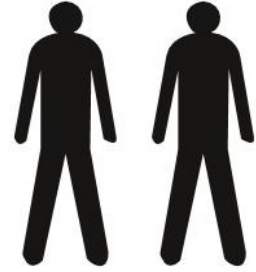
**110\*185 CM**

**120\*185 CM**

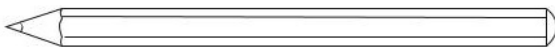
## TOOLS REQUIRED(NOT SUPPLIED)

when you're ready to start,make sure that you have the following tools to hand,plenty of space and a clean dry area for assembly.

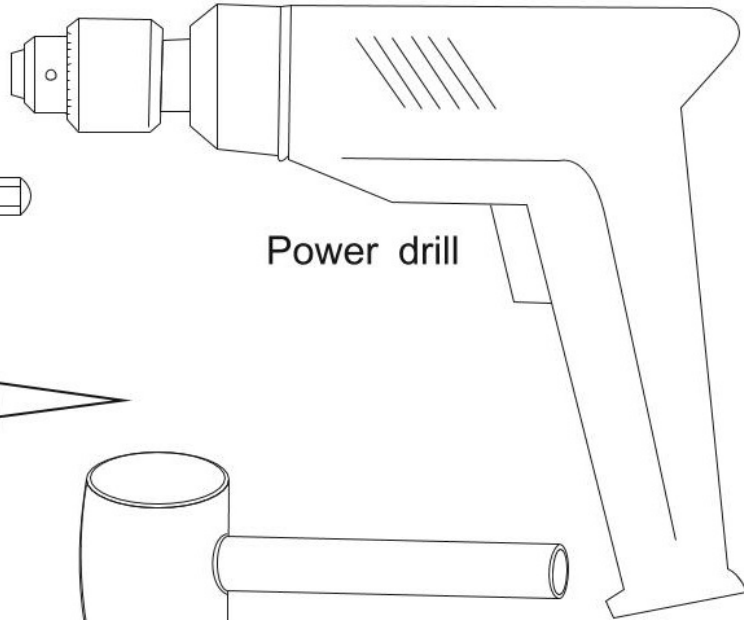
Two people are needed. Please note:although these instructions are comprehensive,We always recommend that a technically competent installer should undertake installation.



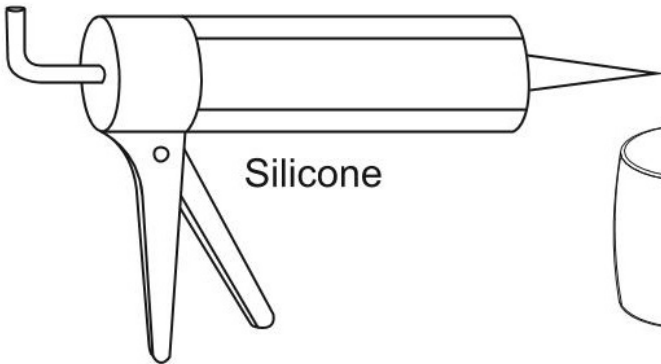
Drill bit for wall  
5.5mm



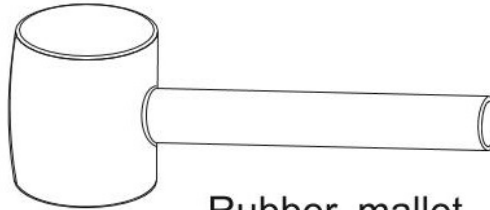
Pencil



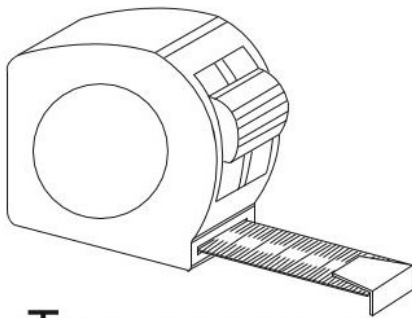
Power drill



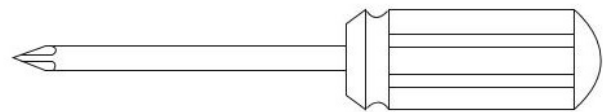
Silicone



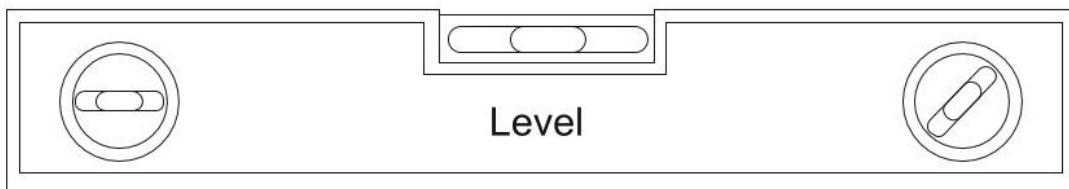
Rubber mallet



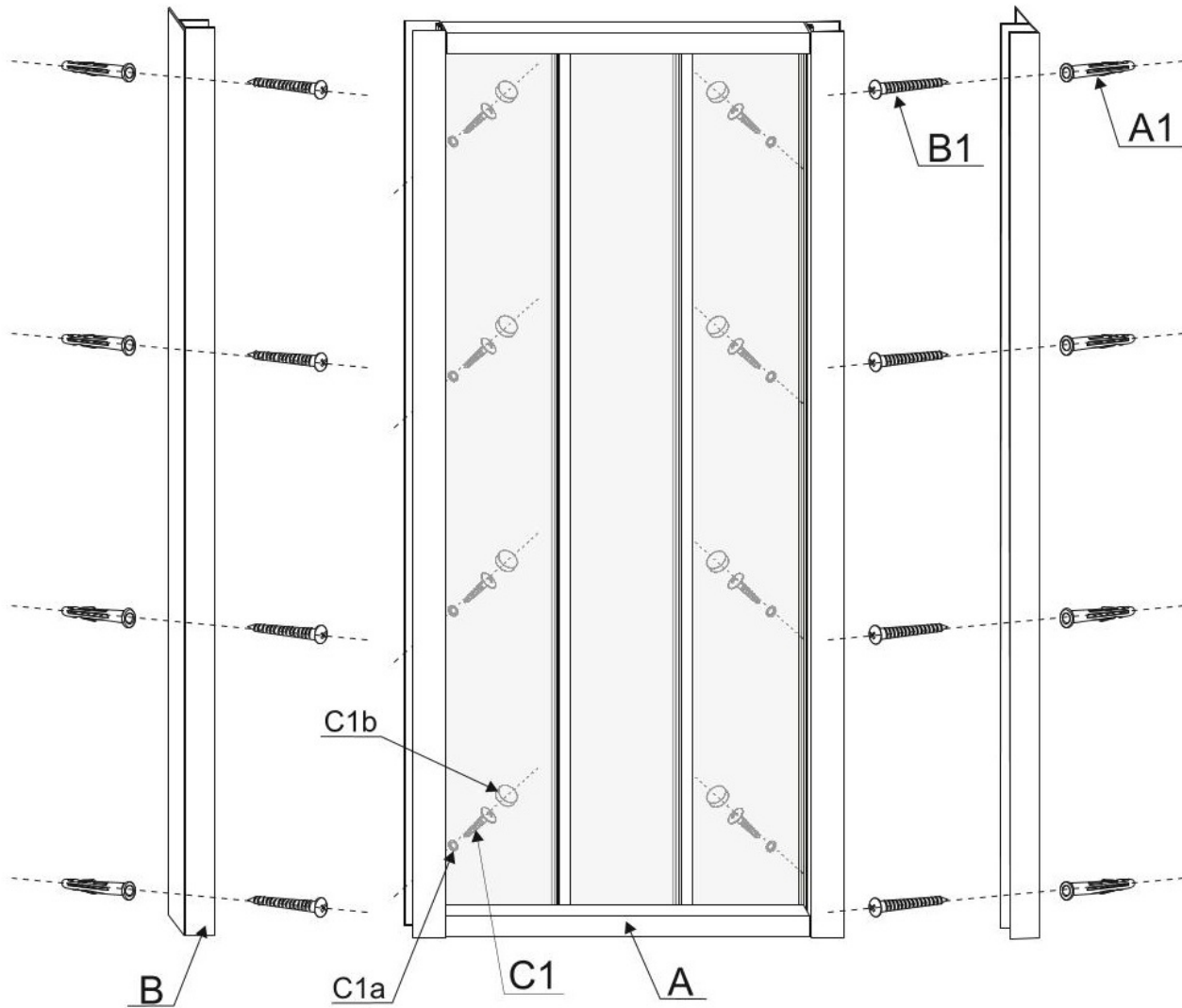
Tape measure



Magnetic crosshead screwdriver









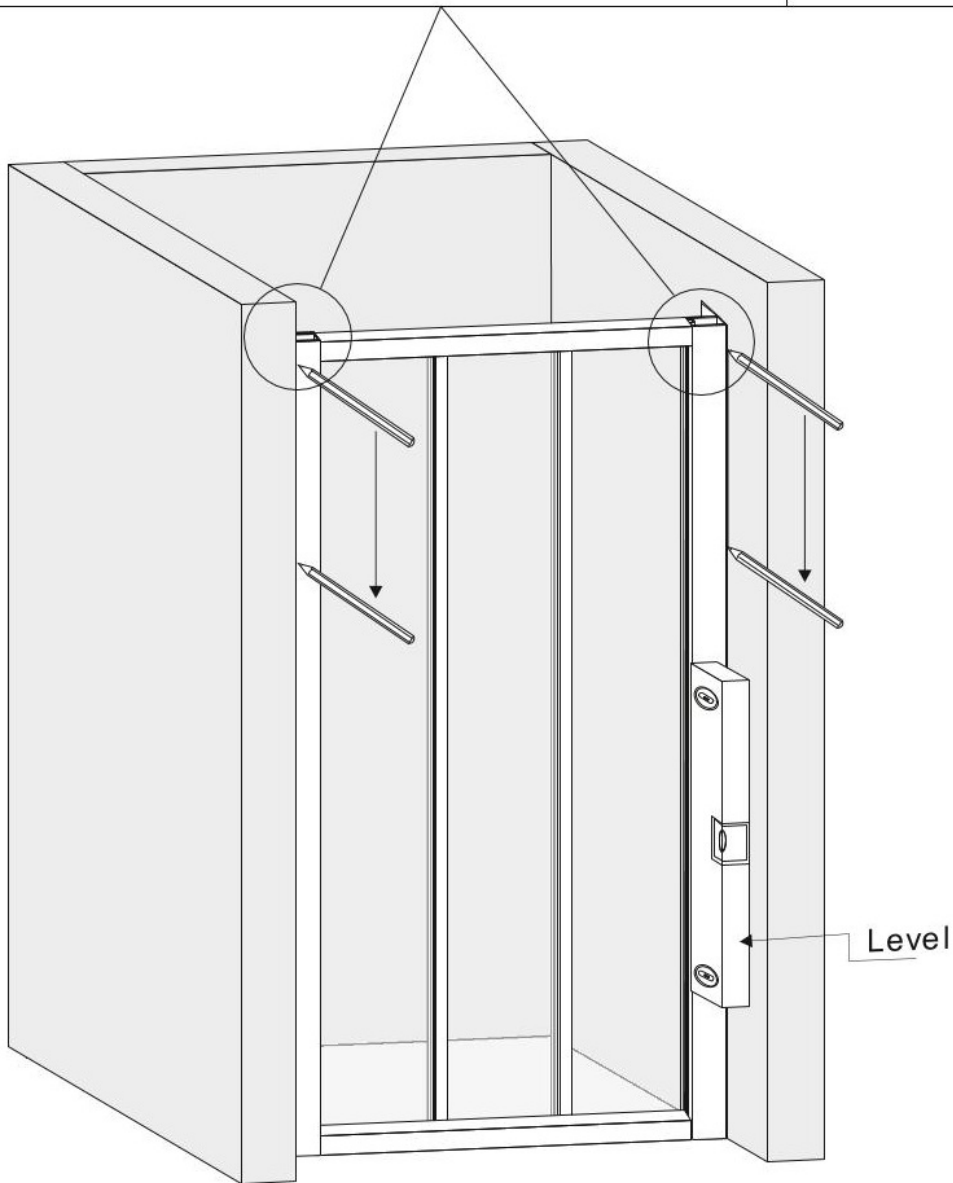
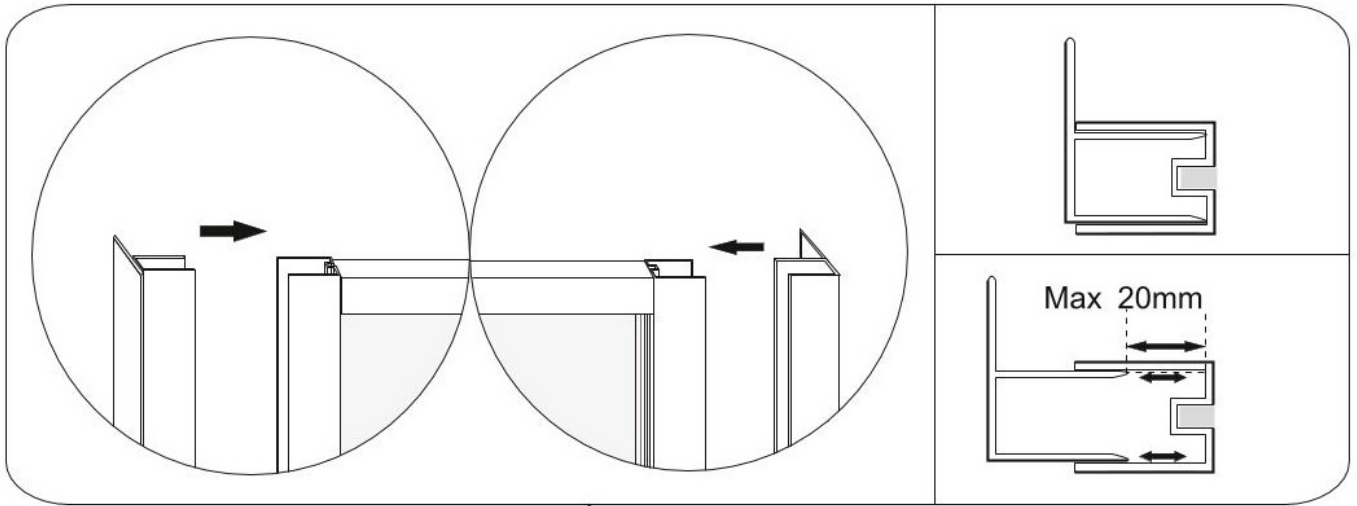
Level

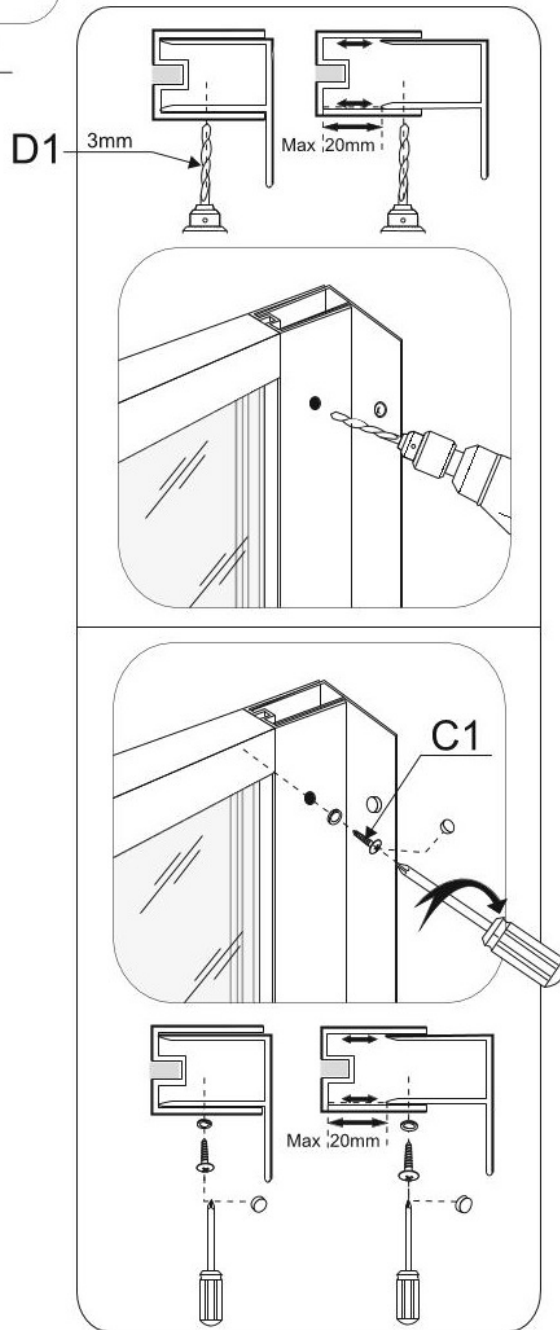
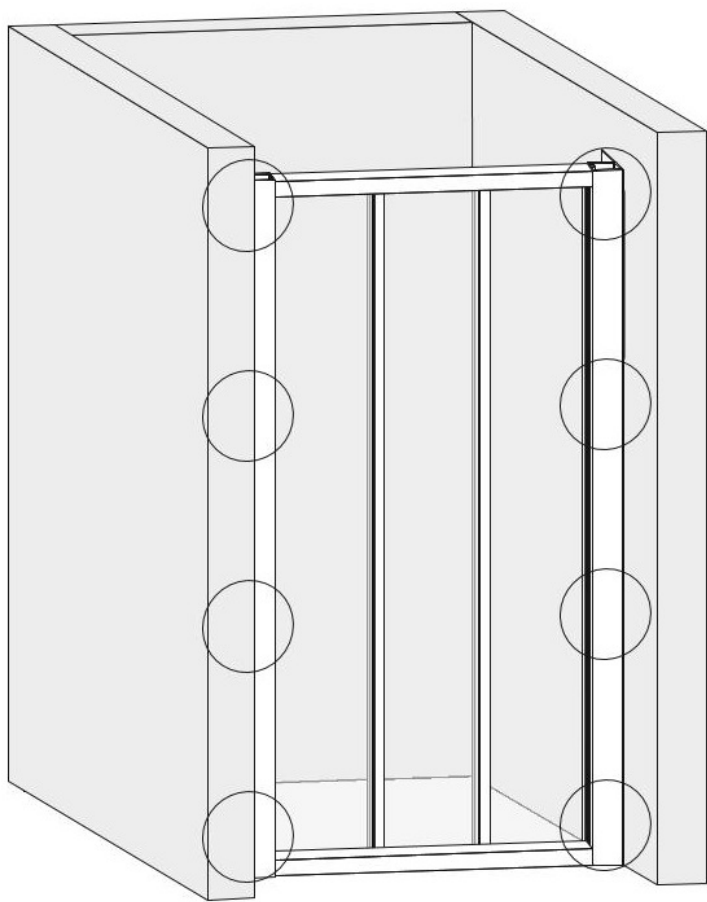
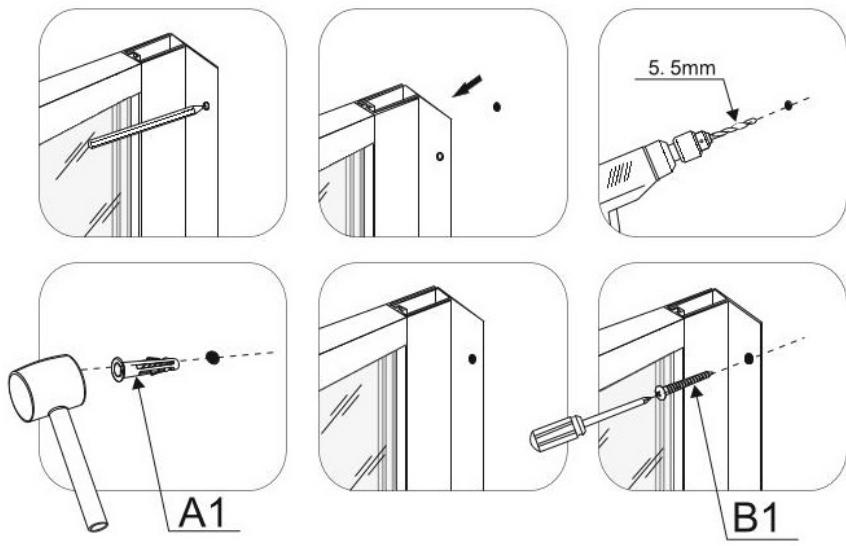


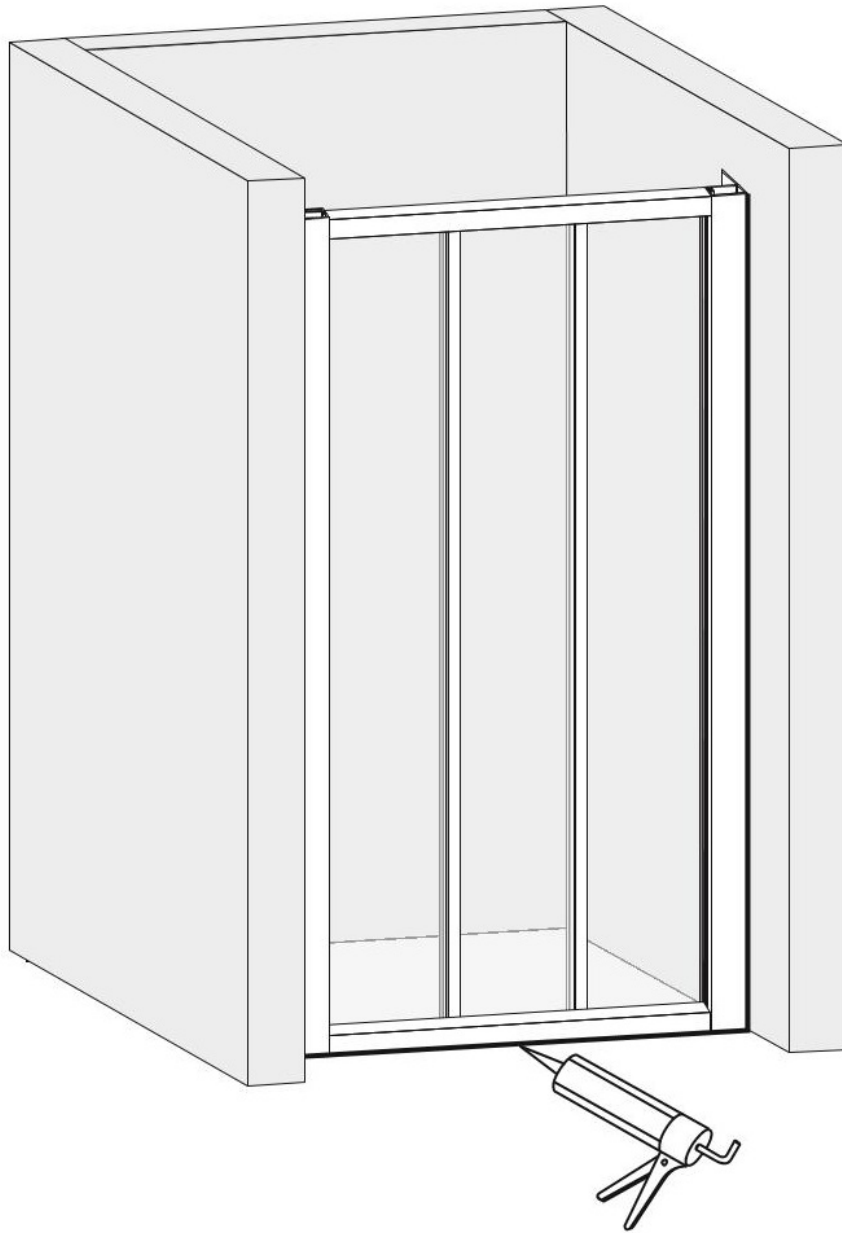
### Fitting kit includes

Ref	Description	Qty
A	Tri-Fold door	1
B	Wall profile	2

Ref	Description	Illustration	Qty
A1	Expendable wall plug		8
B1	Stainless steel screws 4x25		8
C1	Stainless steel screws 4x12		8
C1 <sub>a</sub>	Screw cap		8
C1 <sub>b</sub>	Screw cover		8
D1	Drill bit 3mm		1







Warning: Don't use the shower enclosure until after at least 24 hours, so that the silica gel can be totally dry.

