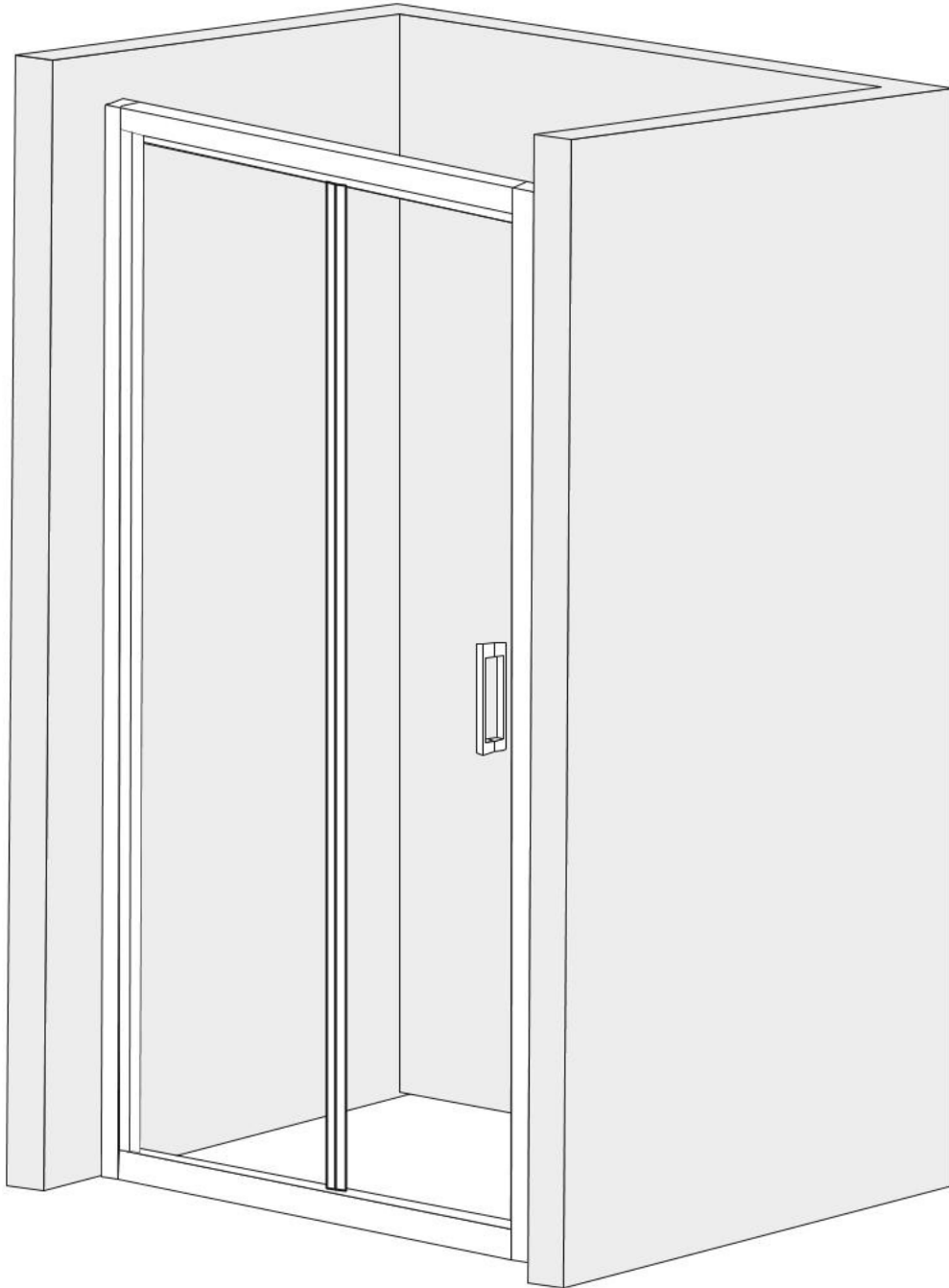


USE INSTRUCTION HANDBOOK

ISTRUZIONI DI MONTAGGIO



PORTE NICCHIA GIADA

SIZE:110X185CM

120X185CM

130X185CM

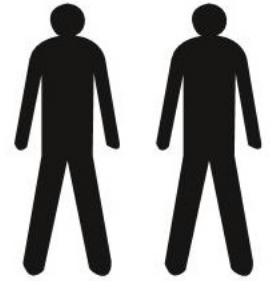
140X185CM

150X185CM

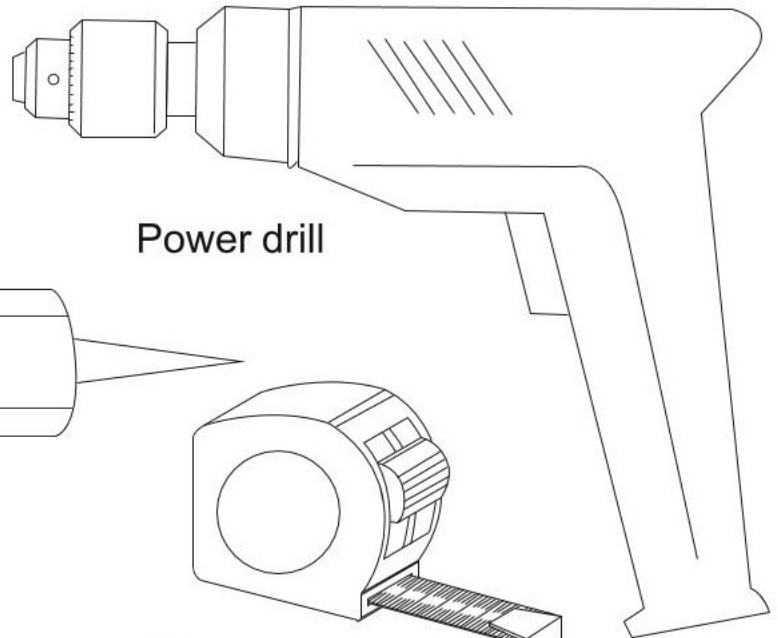
TOOLS REQUIRED(NOT SUPPLIED)

when you're ready to start,make sure that you have the following tools to hand,plenty of space and a clean dry area for assembly.

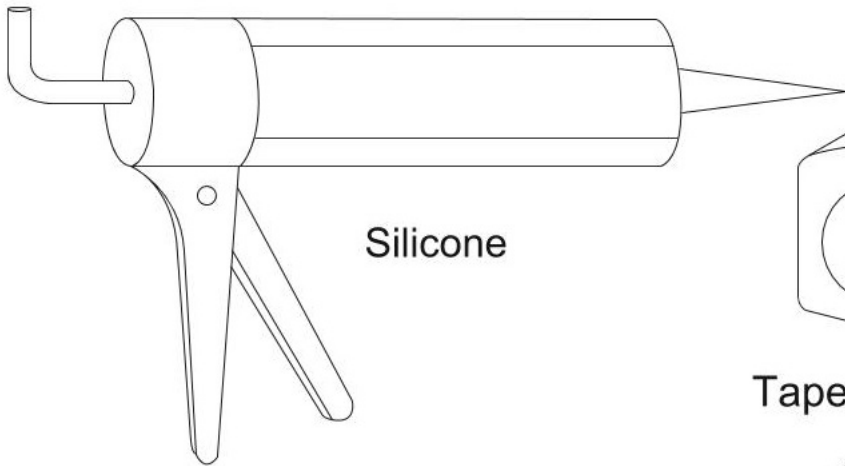
Two people are needed. Please note:although these instructions are comprehensive,We always recommend that a technically competent installer should undertake installation.



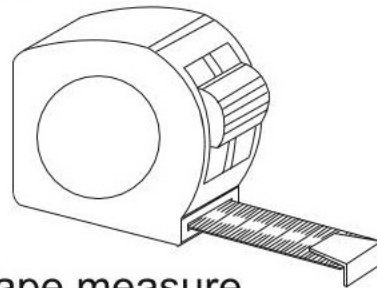
Drill bit to suit wall type
5.5mm



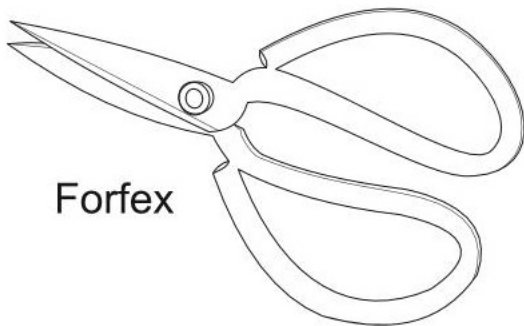
Power drill



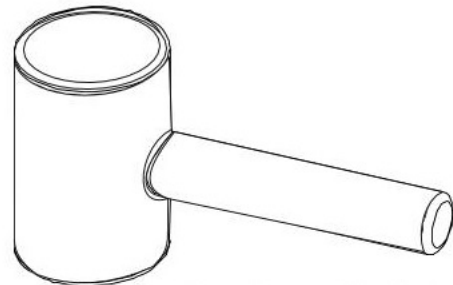
Silicone



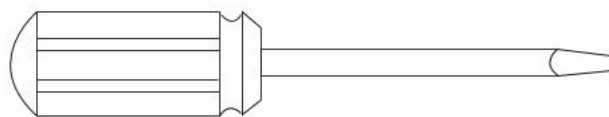
Tape measure



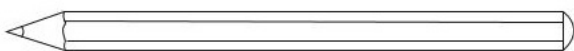
Forfex



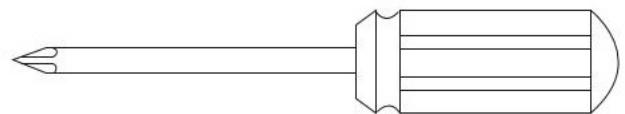
Rubber Mallet



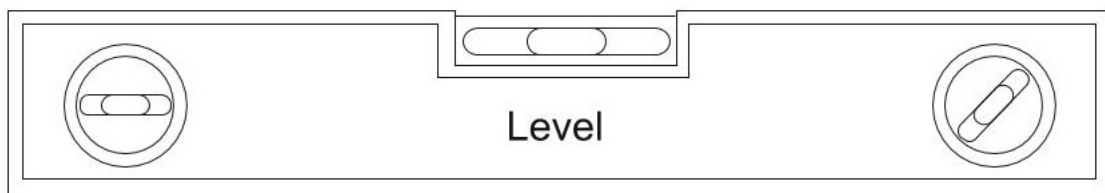
Flat Blade screwdriver



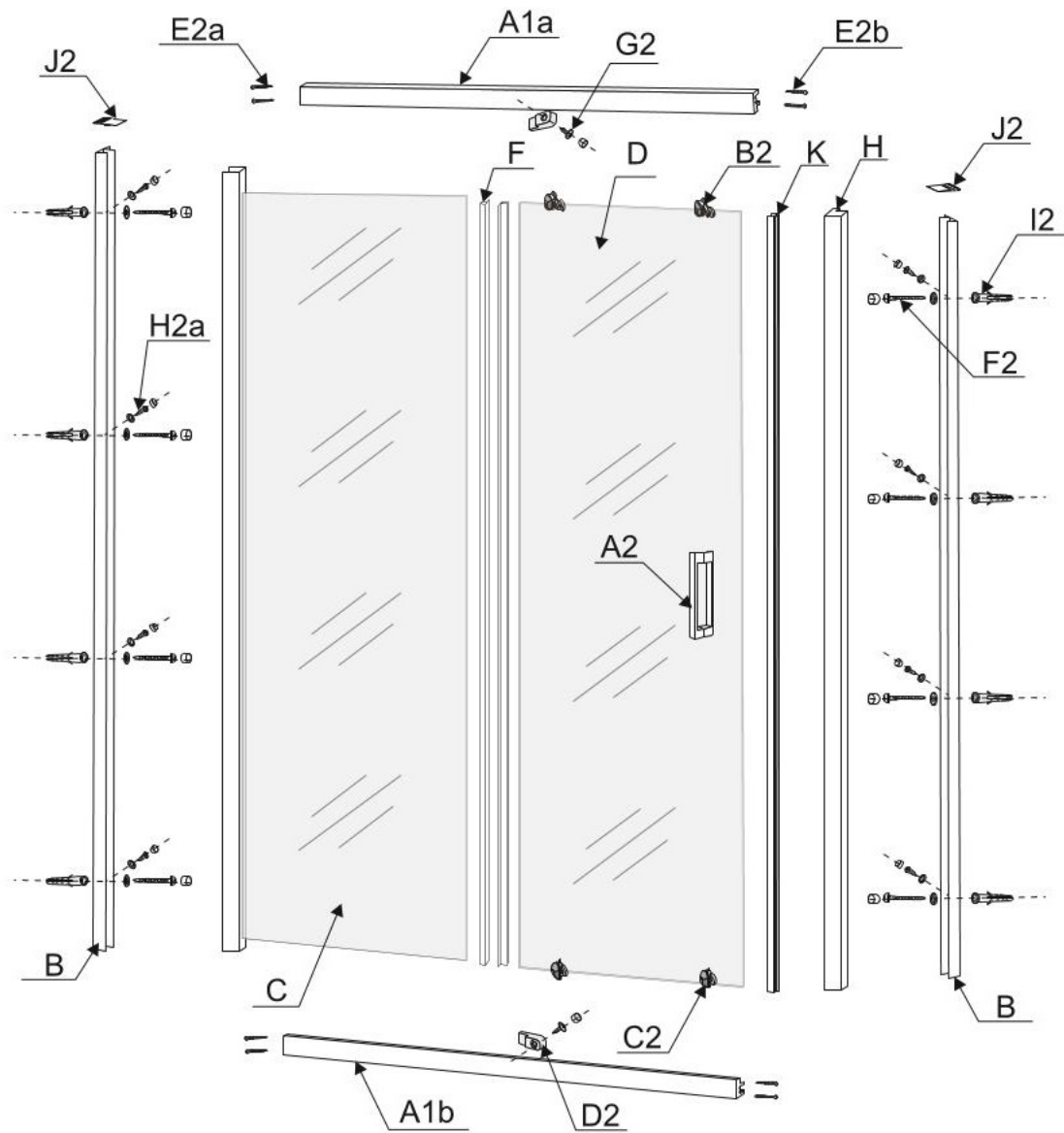
Pencil



Magnetic crosshead screwdriver



Level



Ref	Description	Qty
A1a	TOP RAIL	1
A1b	BOTTOM RAIL	1
B	WALL PROFILE	2
C	FIXED DOOR	1
D	SLIDING DOOR	1
F	VERTICAL SEAL	2
H	SLIDING GLASS PROFILE	1
K	MAGNETIC DOOR SEAL	1

Ref	Description	Illustration	Qty
A2	handle		1
B2	top roller		2
C2	bottom roller		2
D2	u-shaped clip and cover cap		2
E2a	stainless steel screws: 3.5*35		4
E2b	stainless steel screws: 4*45		4
F2	stainless steel screws: 4*25		8
G2	stainless steel screws: 4*10		2
H2a	stainless steel screws: 4*10		8
I2	expandable wall plug		8
K2	3mm Drill bit		1
J2	profile cap		2

